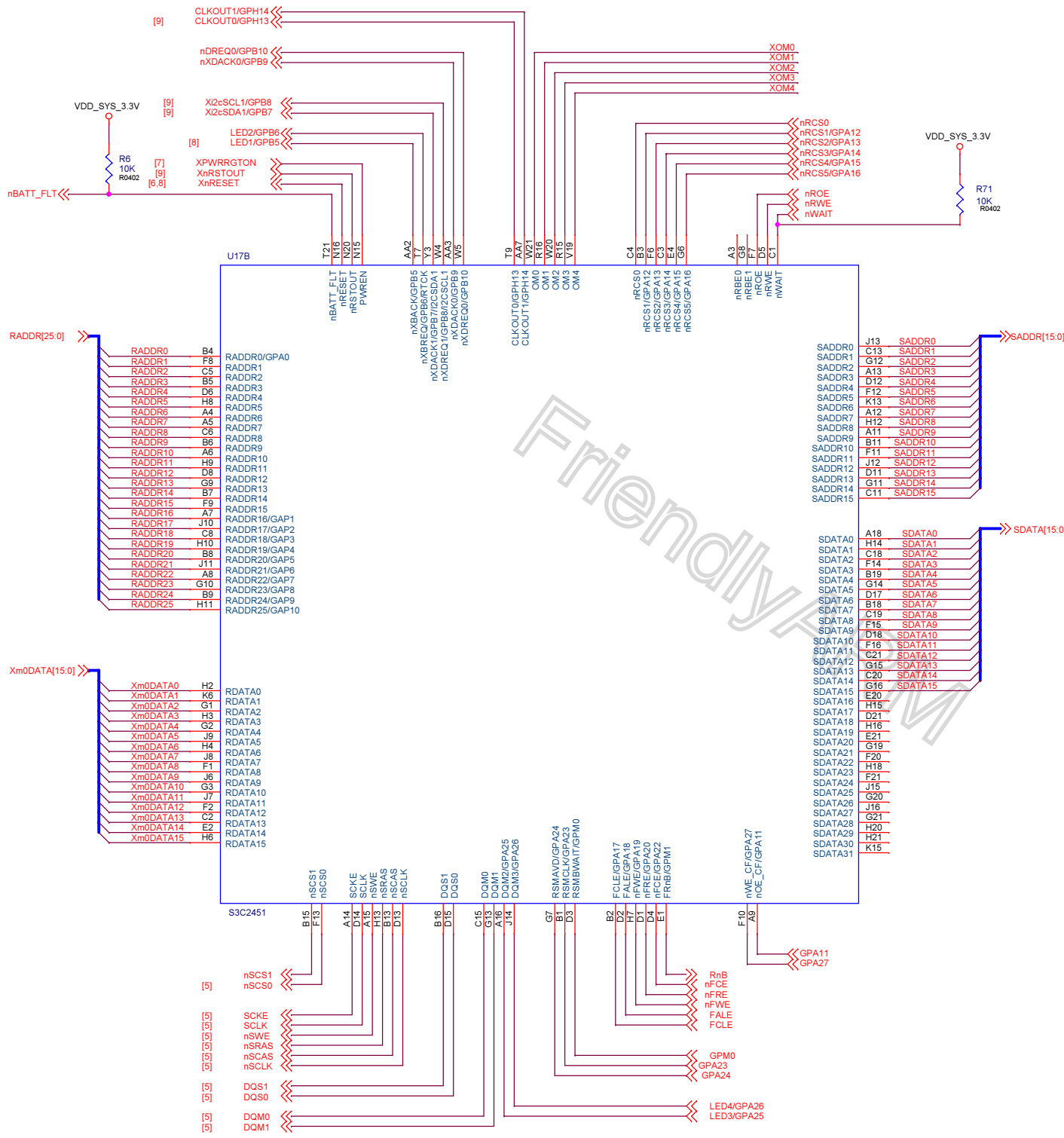


NanoPi 1507

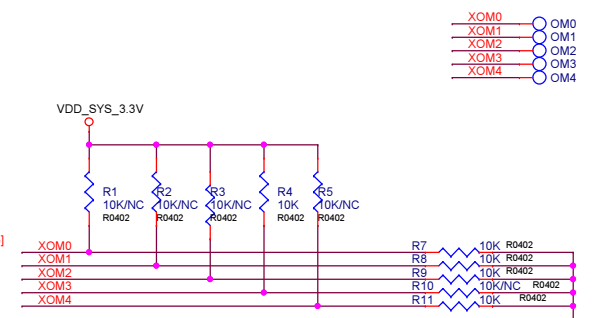
FriendlyARM

Title		
2451		
Size	Document Number	Rev
A3	<Doc>	
Date:	Tuesday, July 14, 2015	Sheet 1 of 11



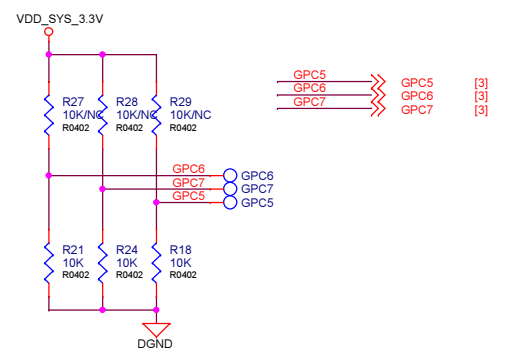
BootingMode Option

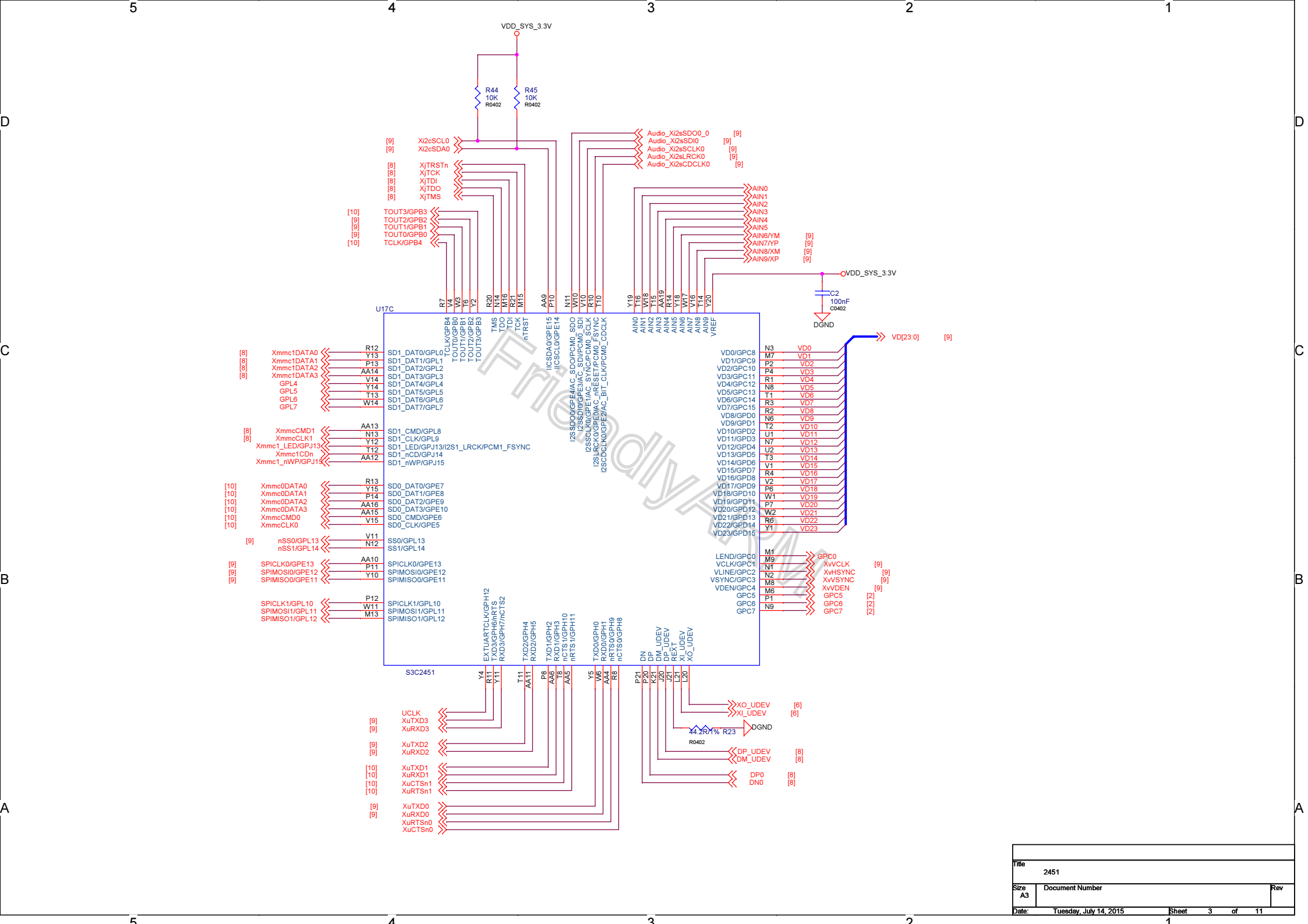
请在对应的位置加上丝印标注XOM0~4



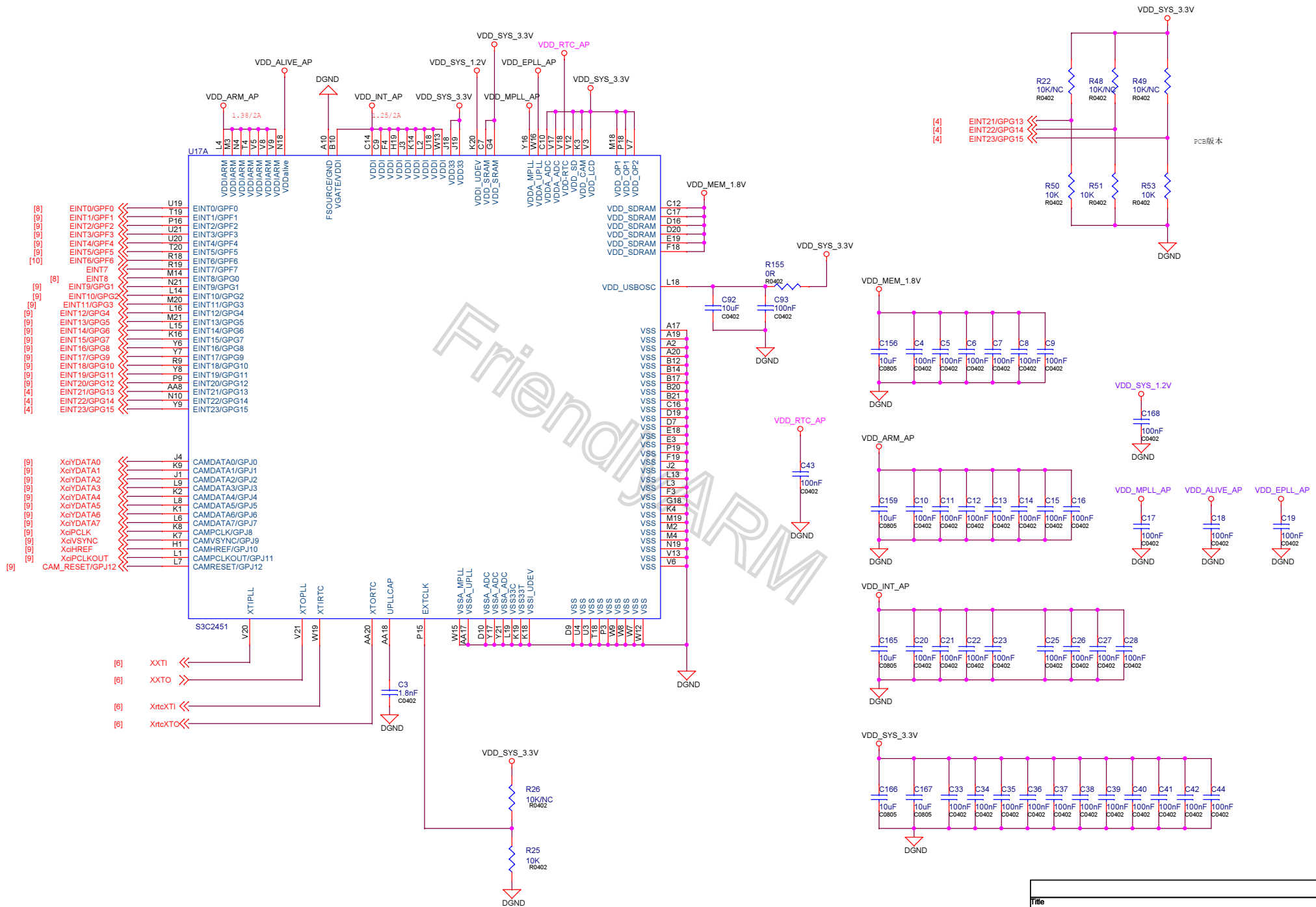
启动方式	OM4	OM3	OM2	OM1	OM0
IRQM	0	1	0	0	0

XOM[4:0]用于选择从IRQM还是one nand启动
选择了从IRQM启动后才能选择从SD/NAND启动,
GPC5~7是用来选择从SD启动还是nand启动。

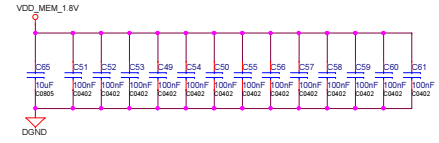
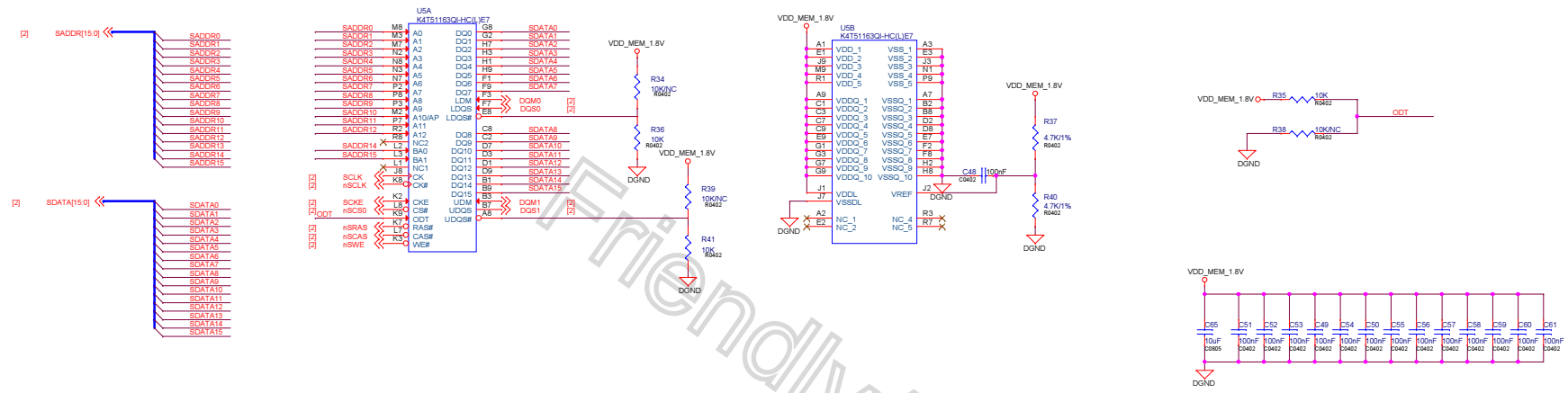




Title		
2451		
Size	Document Number	Rev
A3		
Date:	Tuesday, July 14, 2015	Sheet 3 of 11

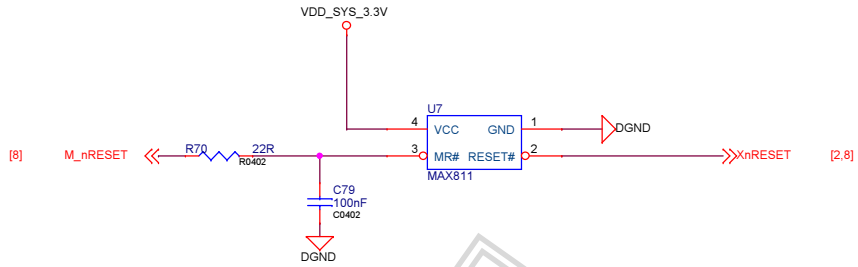


Title		
2451		
Size	Document Number	Rev
A3		
Date:	Tuesday, July 14, 2015	Sheet 4 of 11

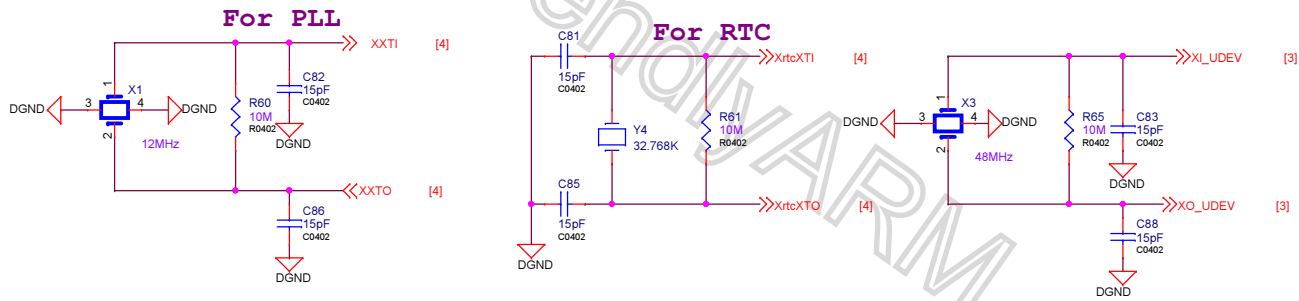


File	2451		
Size	A2	Document Number	Rev
Date	Tuesday, July 14, 2015	Sheet	5 of 11

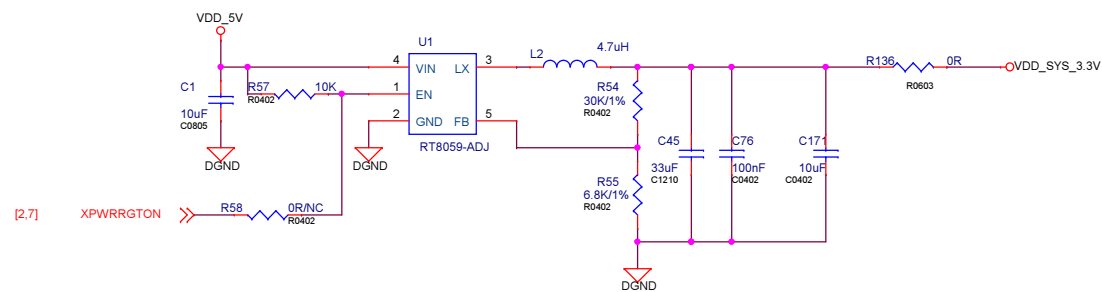
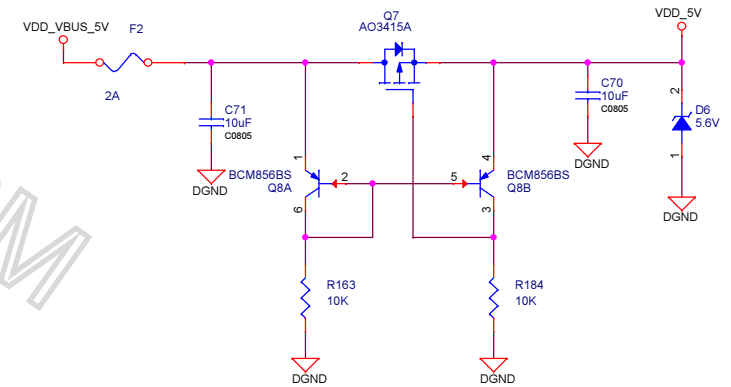
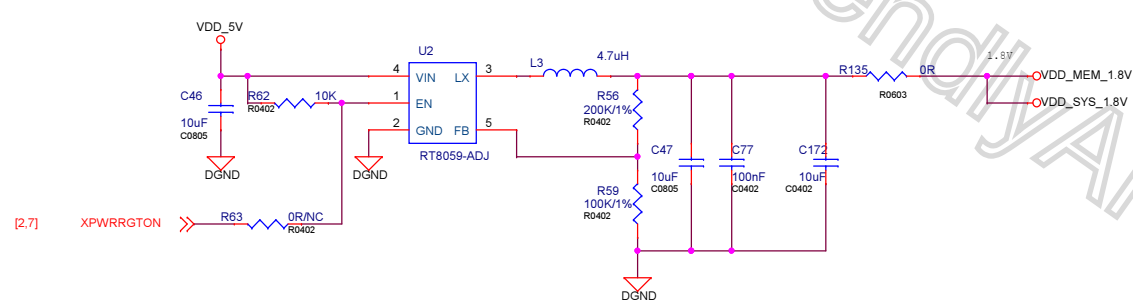
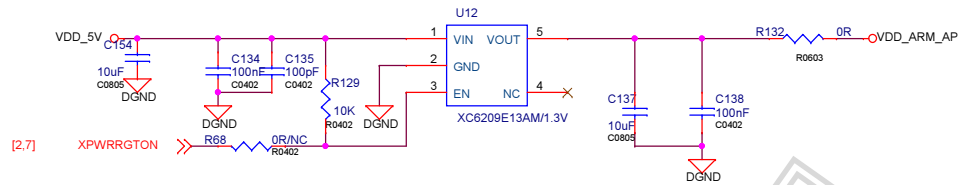
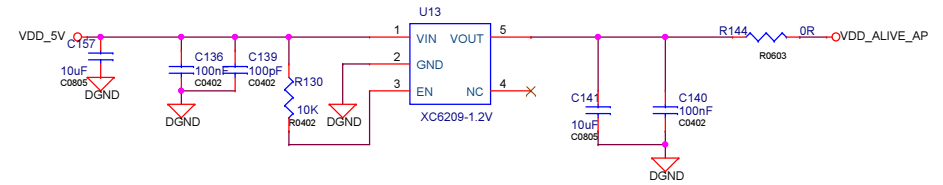
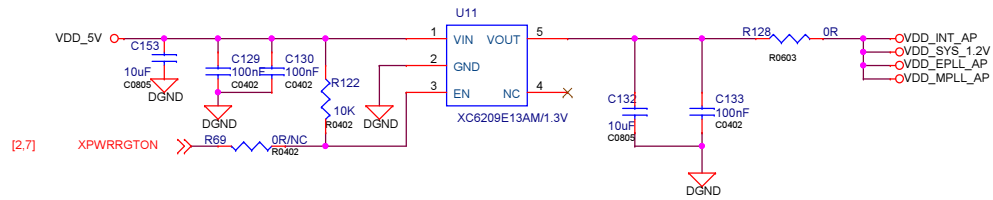
Reset



Clock

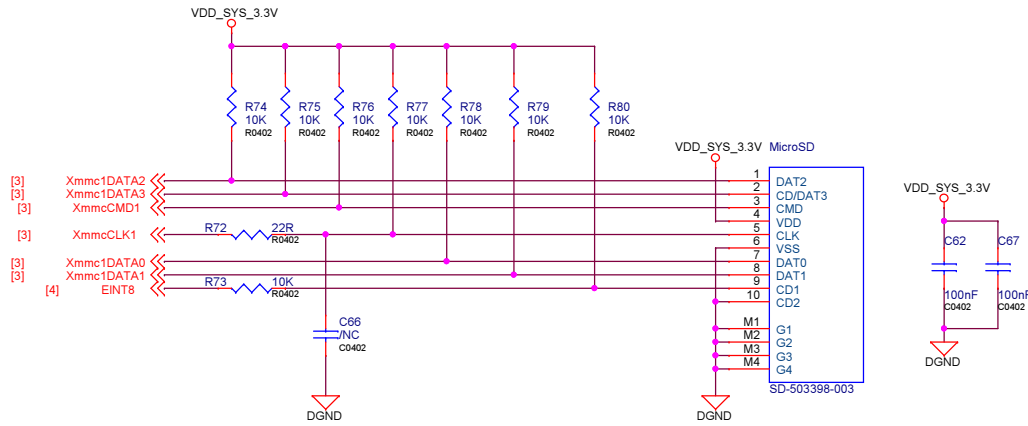


Title		2451	
Size	Document Number	Rev	
A3			
Date:	Tuesday, July 14, 2015	Sheet	6 of 11

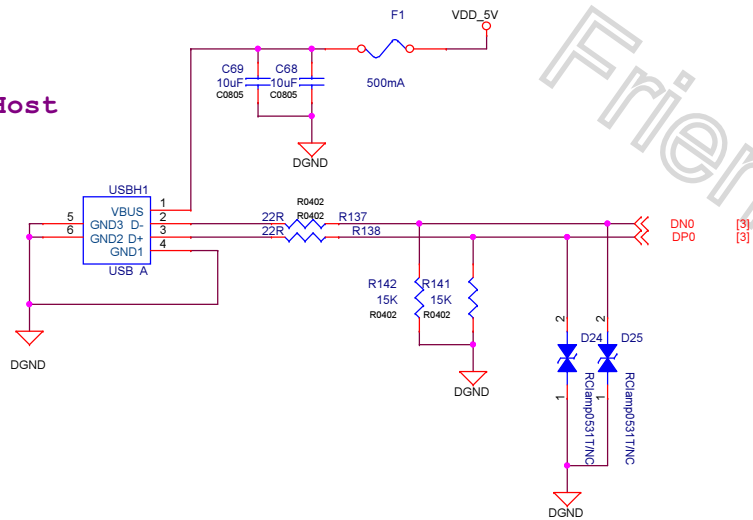


Title		
2451		
Size	Document Number	Rev
A3		
Date:	Tuesday, July 14, 2015	Sheet 7 of 11

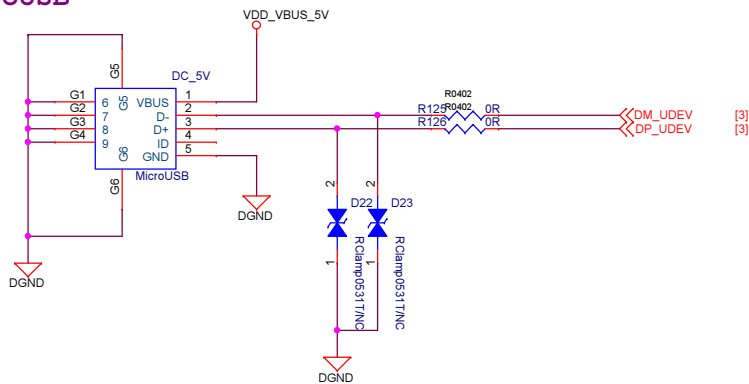
SDcard



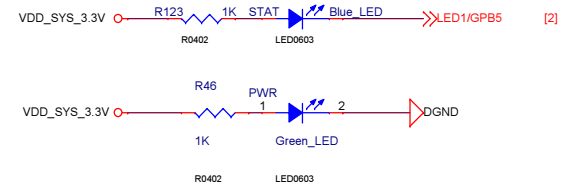
USB Host



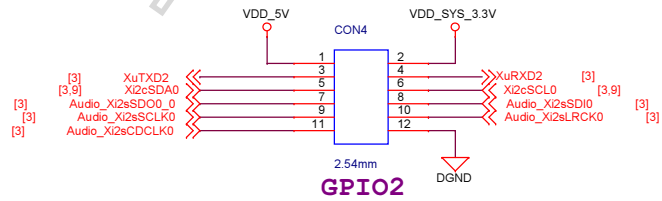
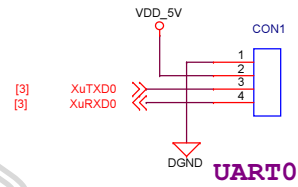
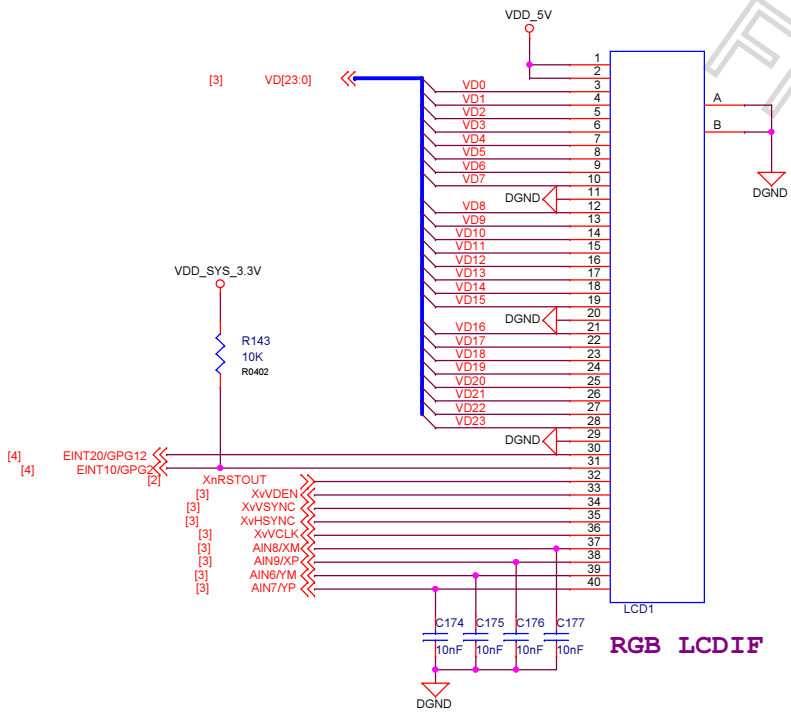
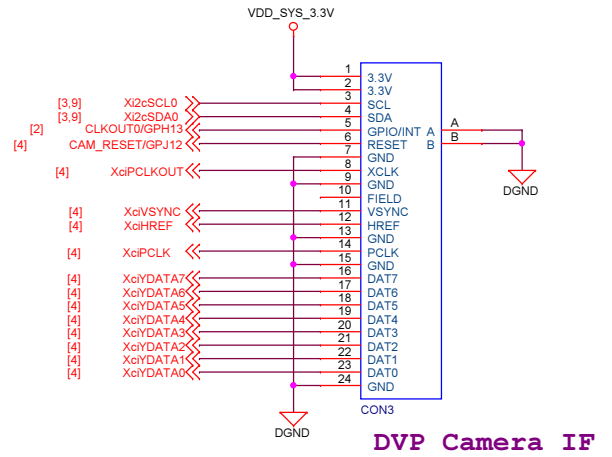
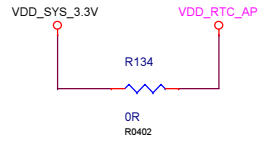
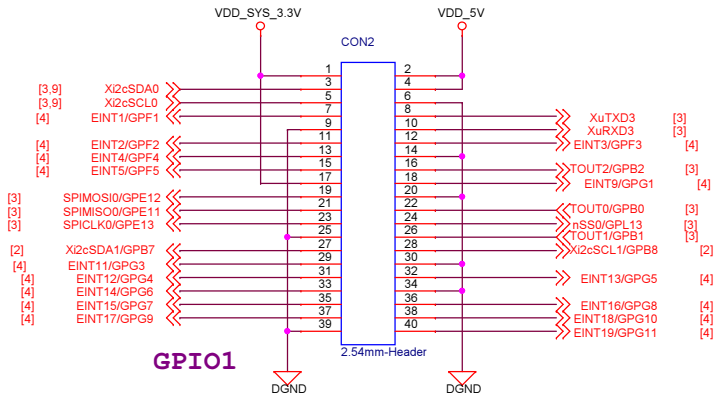
MicroUSB



LEDs

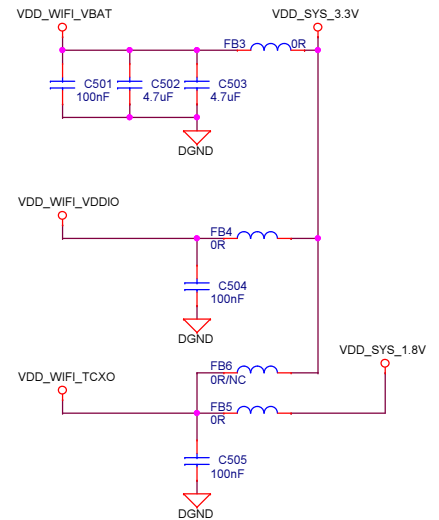
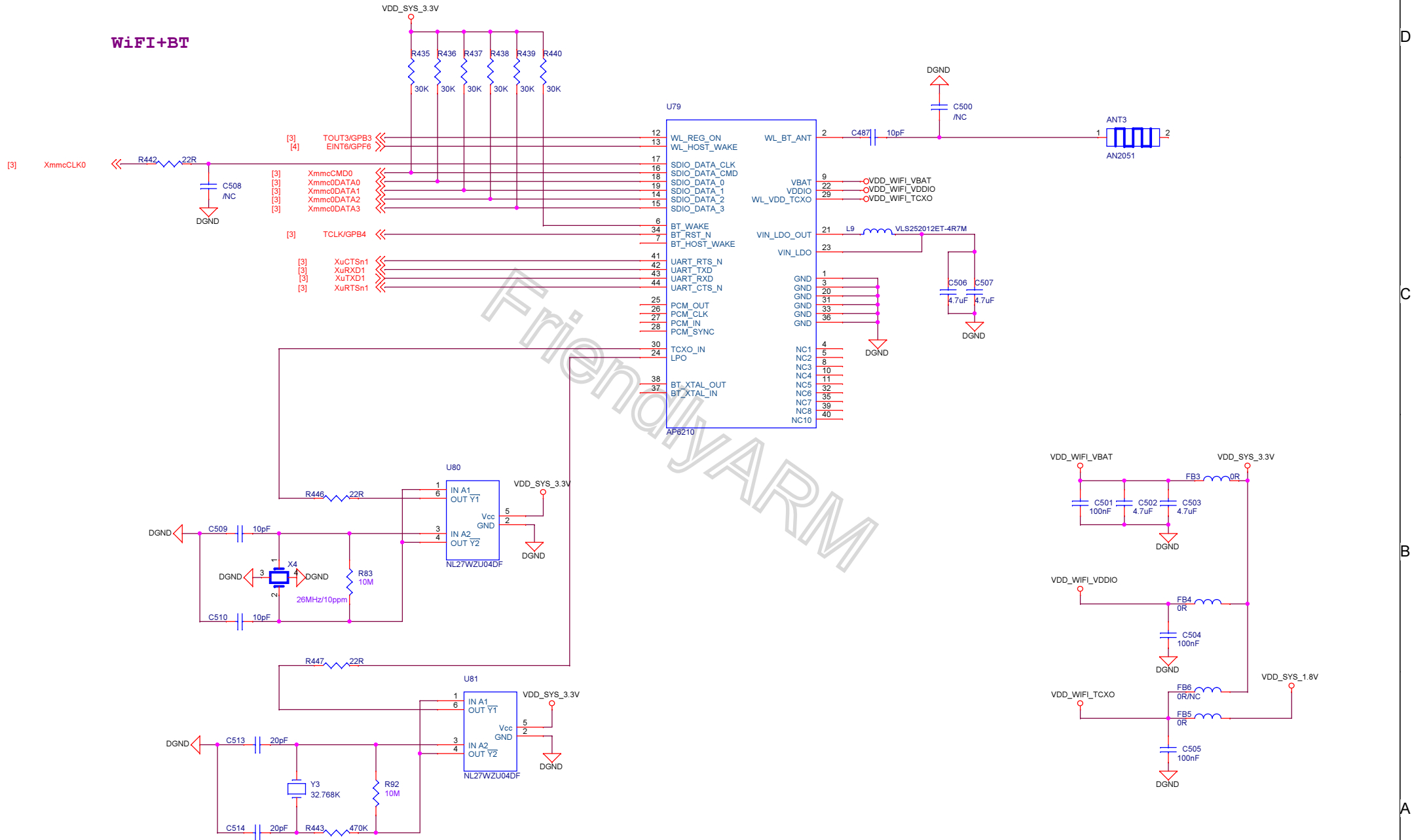


Title		2451	
Size	A3	Document Number	<Doc>
Date:	Tuesday, July 14, 2015	Sheet	8 of 11



Title		
2451		
Size	Document Number	Rev
A3		
Date:	Tuesday, July 14, 2015	Sheet 9 of 11

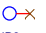
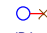

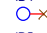
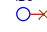
WiFi+BT



Title		
<Title>		
Size	Document Number	Rev
A3	<Doc>	<Rev>
Date:	Tuesday, July 14, 2015	Sheet 10 of 11

D

D

ID1	ID2
	
ID3	ID4
	
	ID5
	
定位点	

C

C

FriendlyARM

B

B

A

A

Title		
2451		
Size	Document Number	Rev
A3		
Date:	Tuesday, July 14, 2015	Sheet 11 of 11
		1