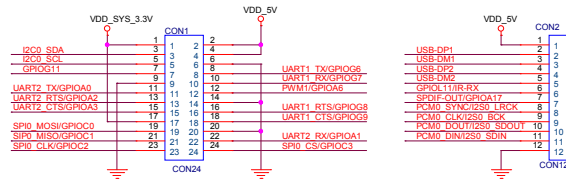
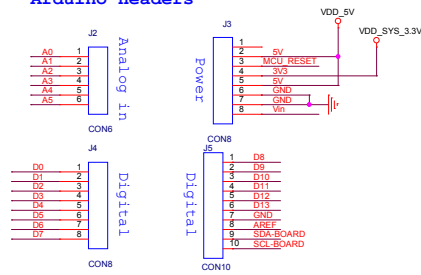


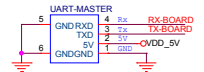
Nanopi NEO Headers



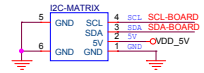
Arduino Headers



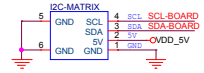
UART_NEO



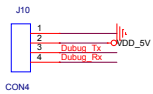
I2C



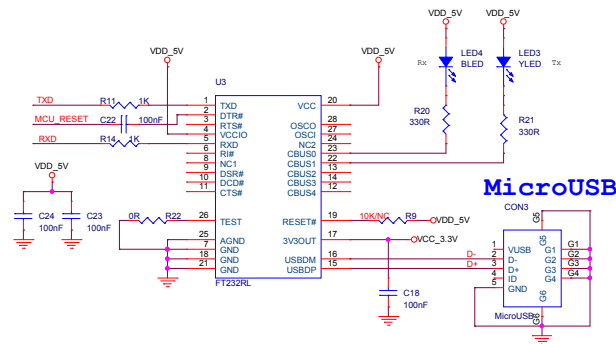
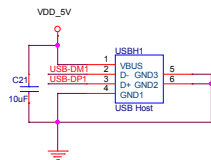
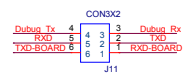
I2C



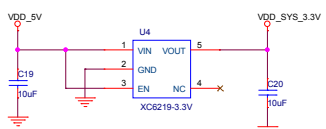
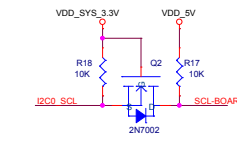
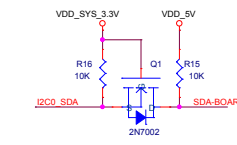
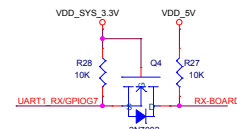
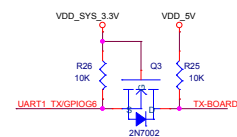
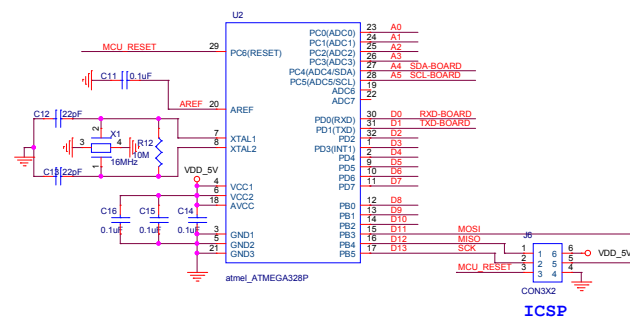
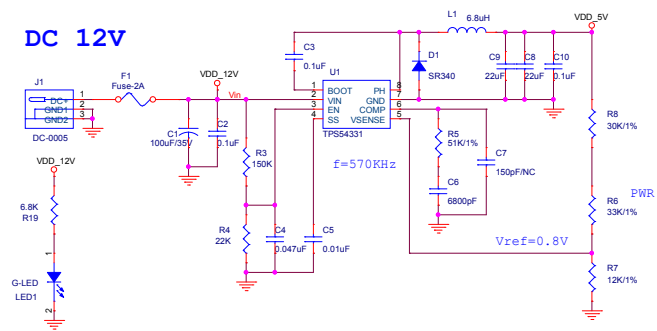
Debug UART



UART Select



DC 12V



MCU Reset

