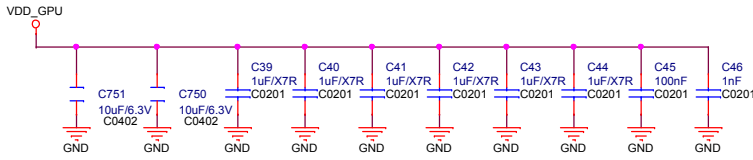
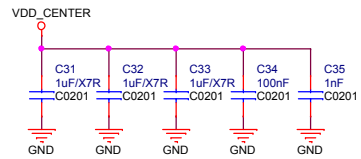
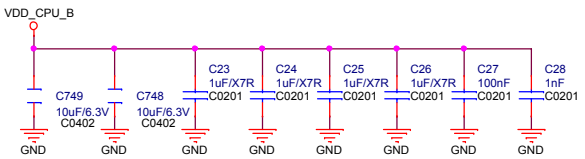
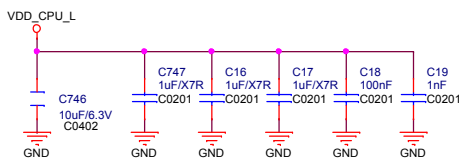
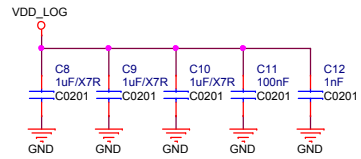
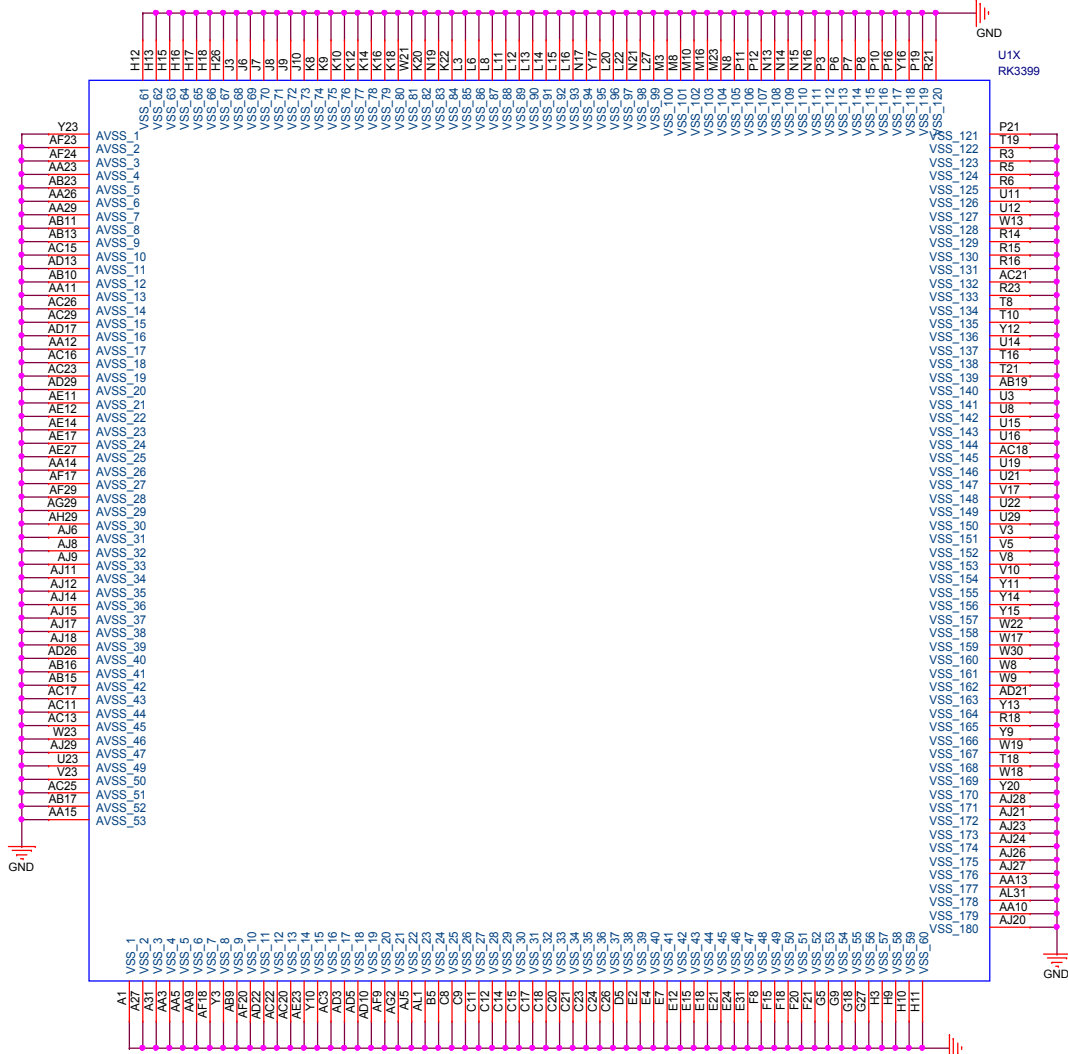
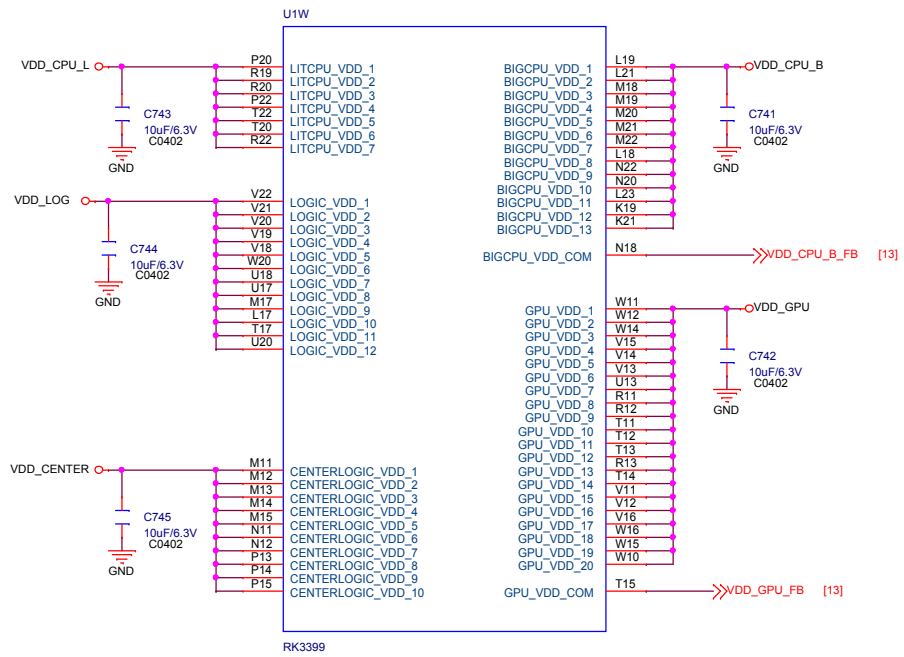


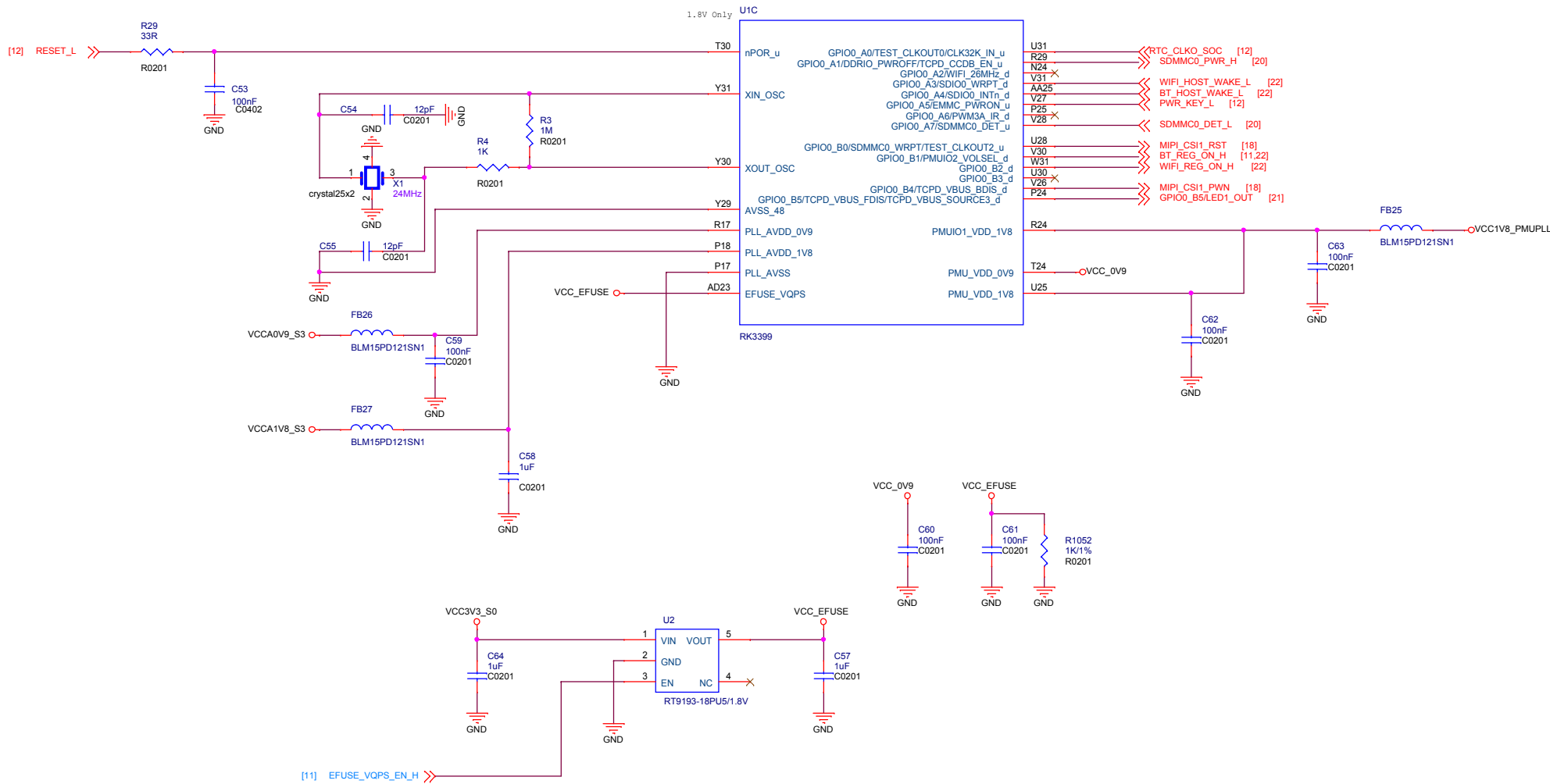
# NanoPi M4V2

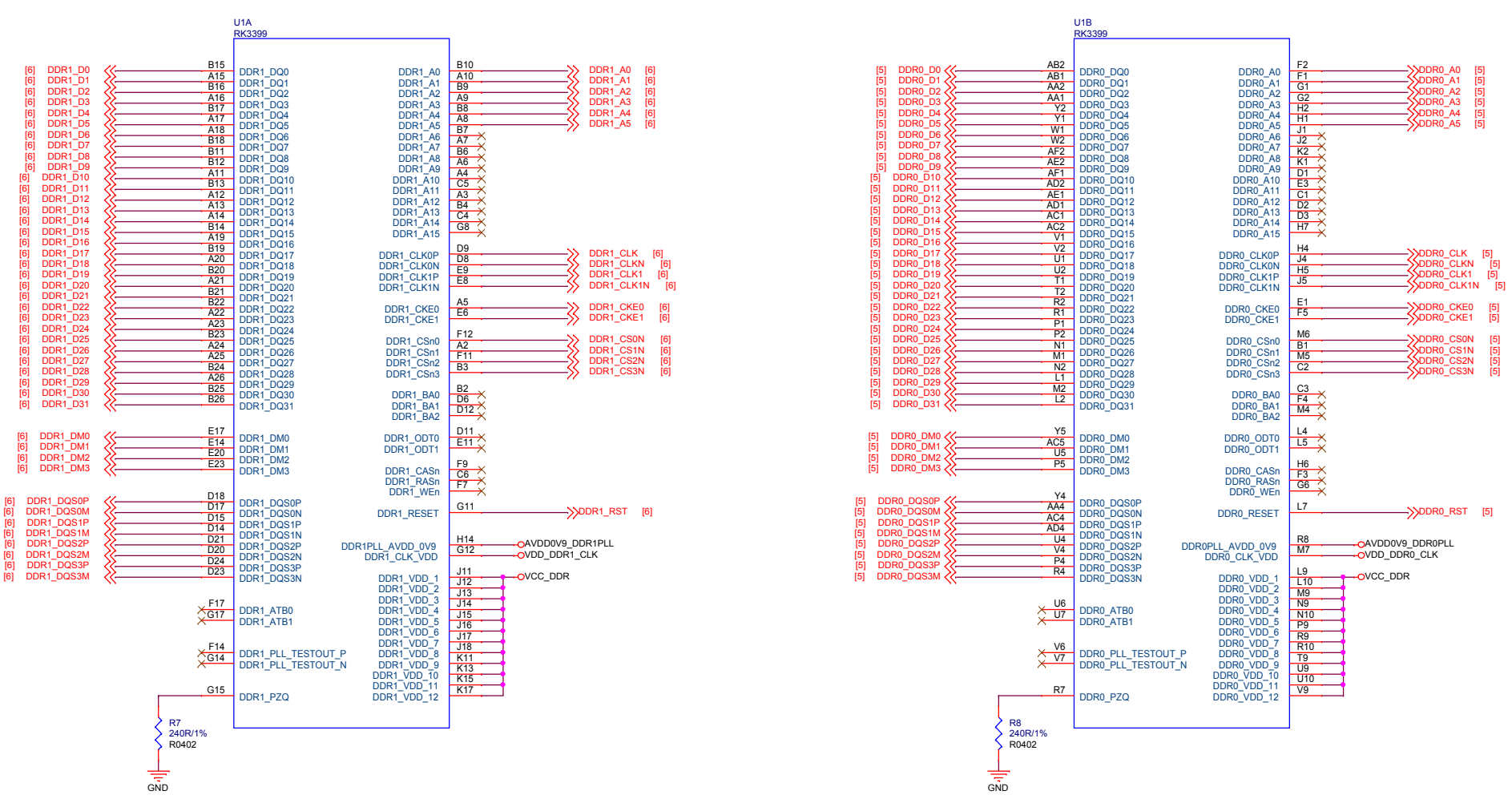
2020/01/13:  
C819 -> 4.7uF/10V, C320 -> 1uF, C821-> 1uF



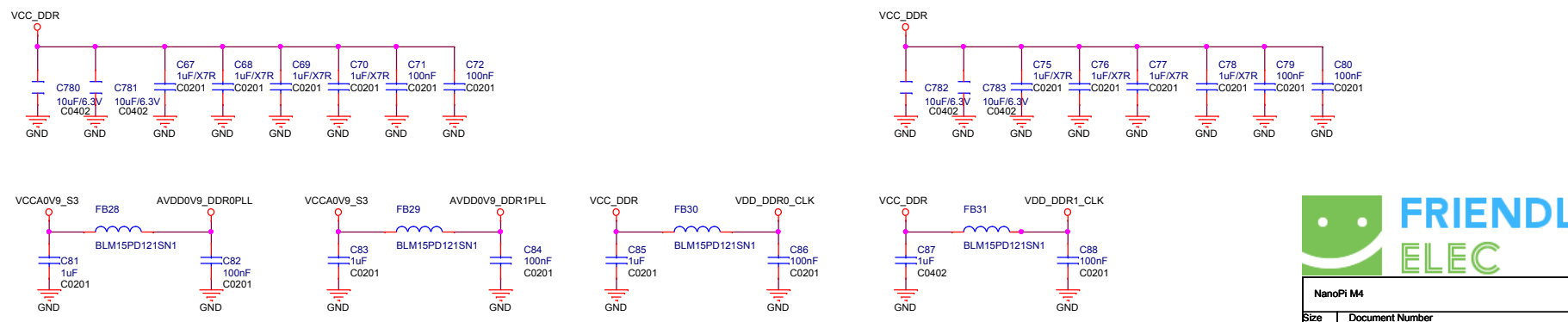
NanoPi M4		
Size	Document Number	Rev
A3	01.Title	Ver2.0 1908
Date:	Monday, January 13, 2020	Sheet 1 of 25







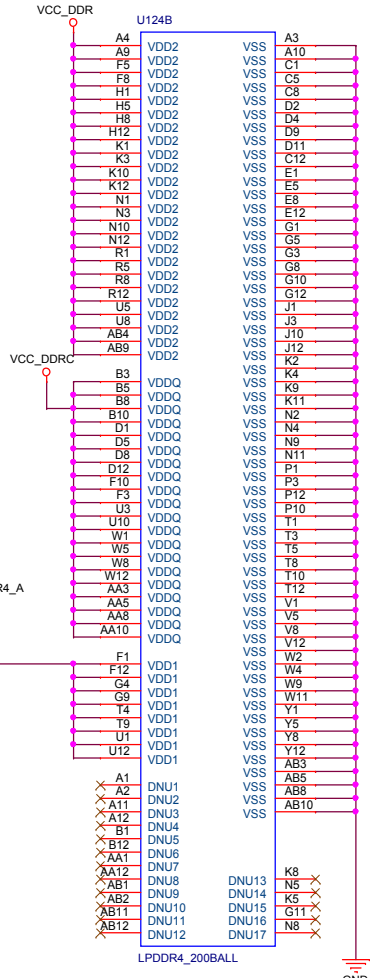
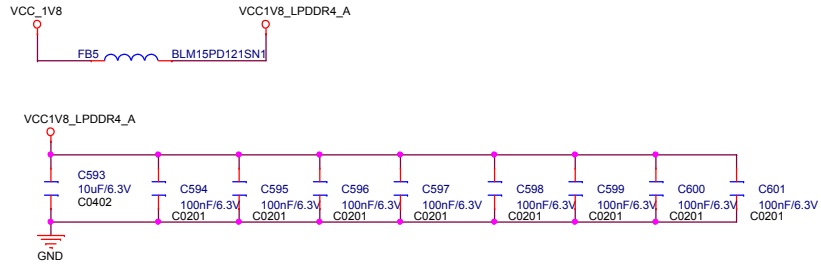
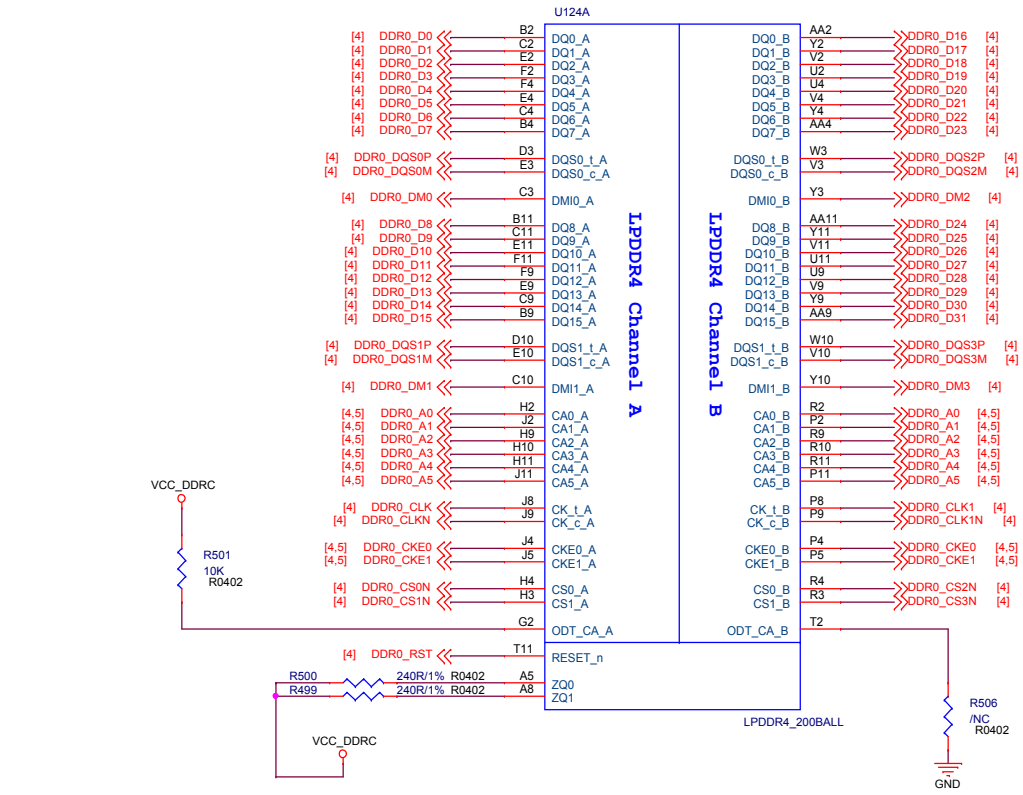
DDR FILTER

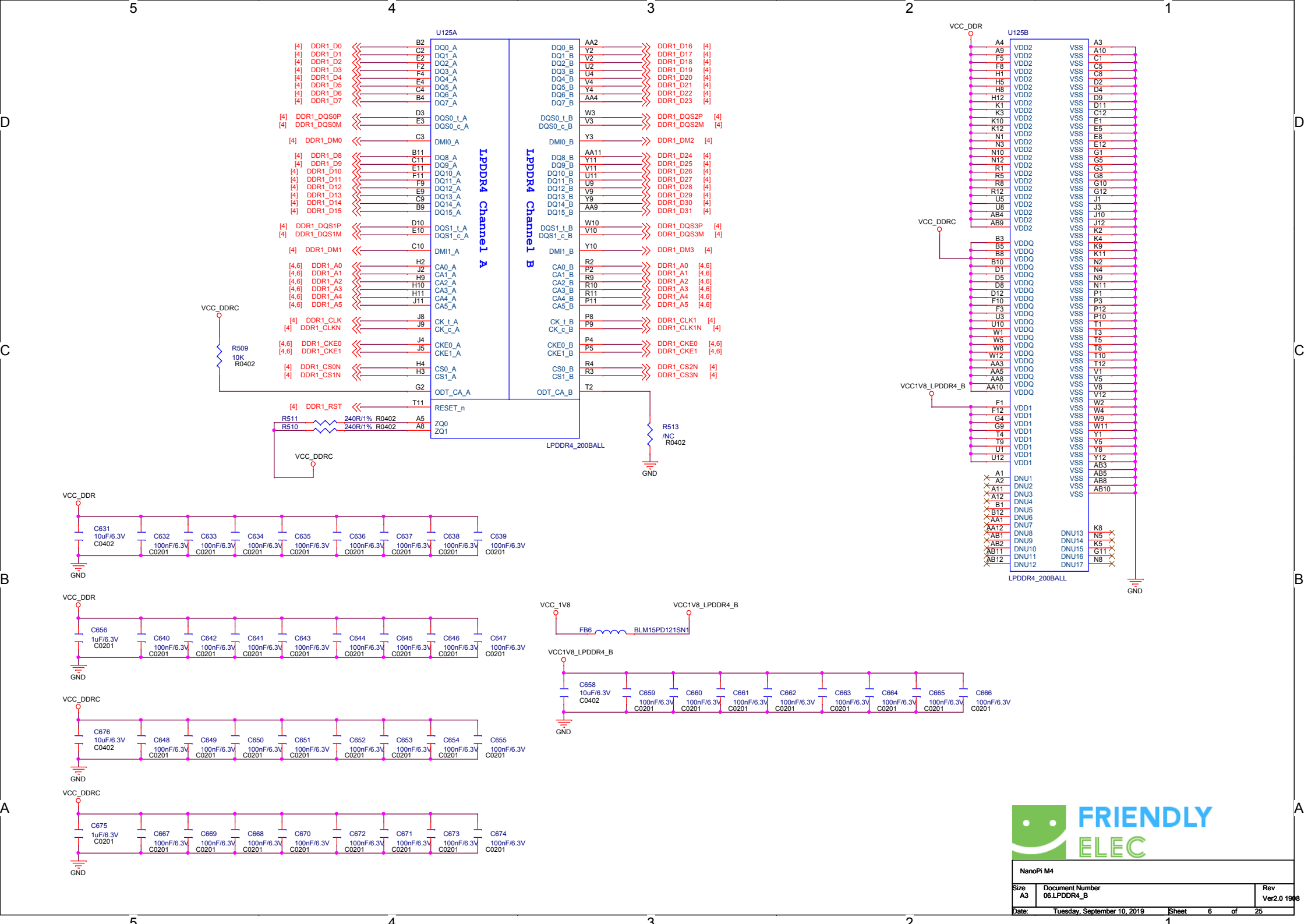


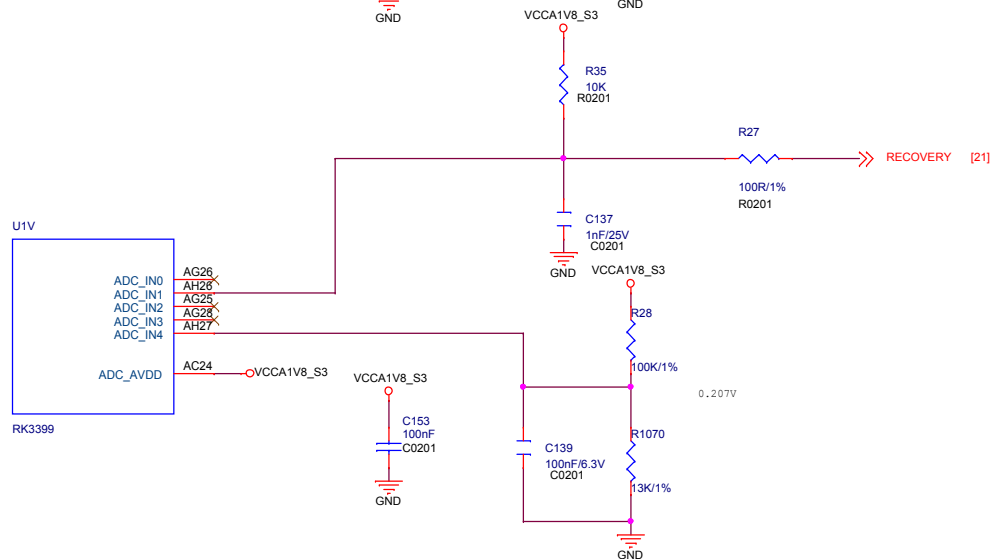
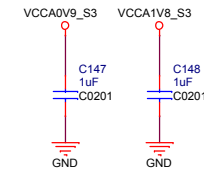
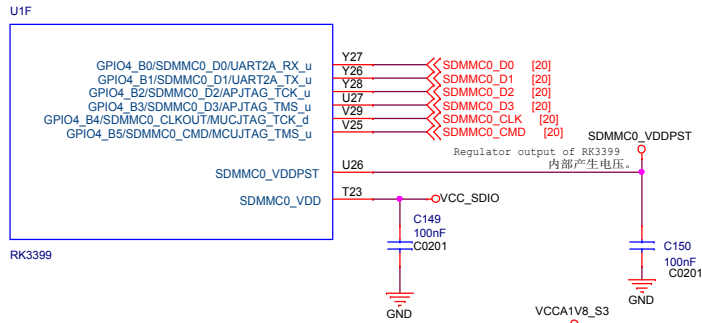
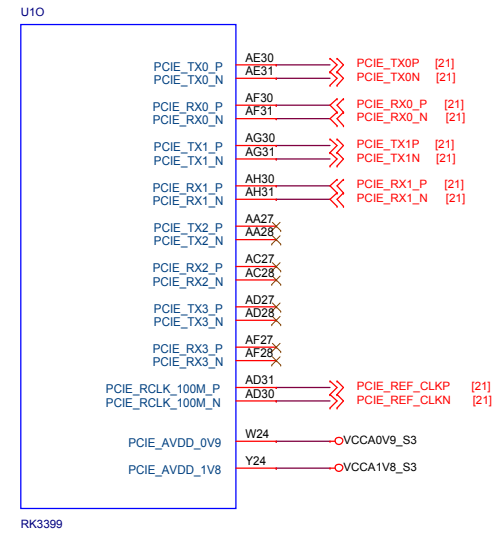
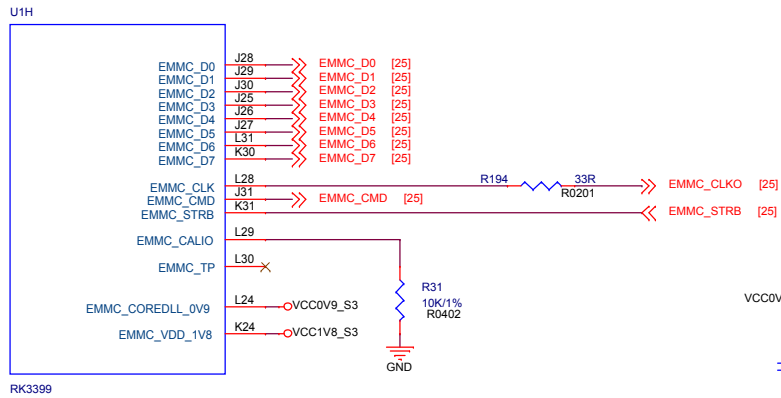
**FRIENDLY ELEC**

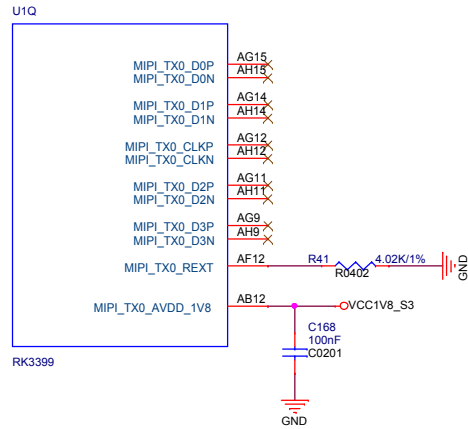
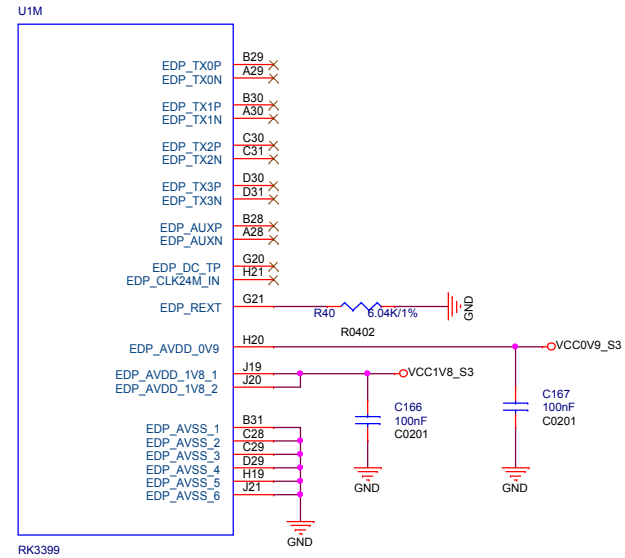
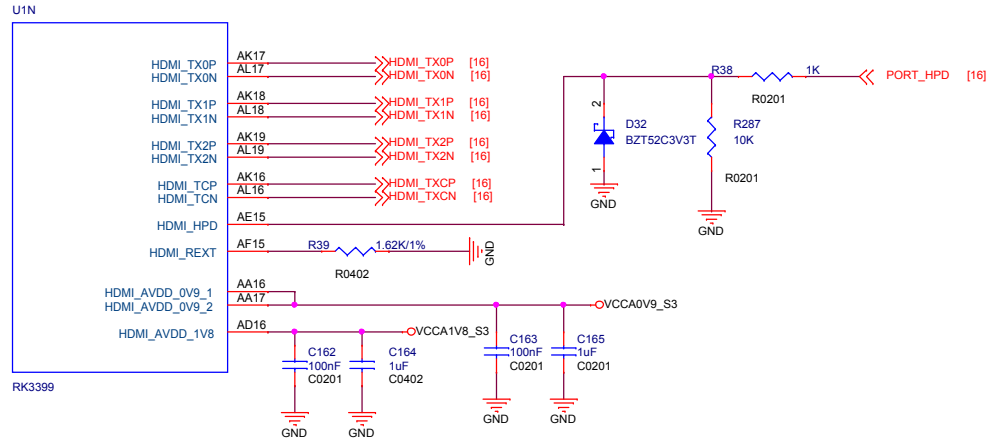
NanoPi M4

Size A3	Document Number 04.RK3399 DDR Controller	Rev Ver2.0 1908
Date: Tuesday, September 10, 2019	Sheet 4 of 25	

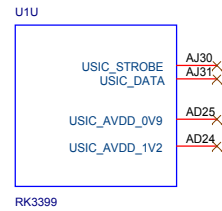
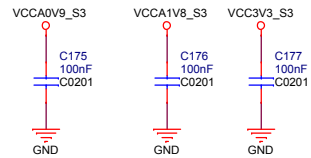
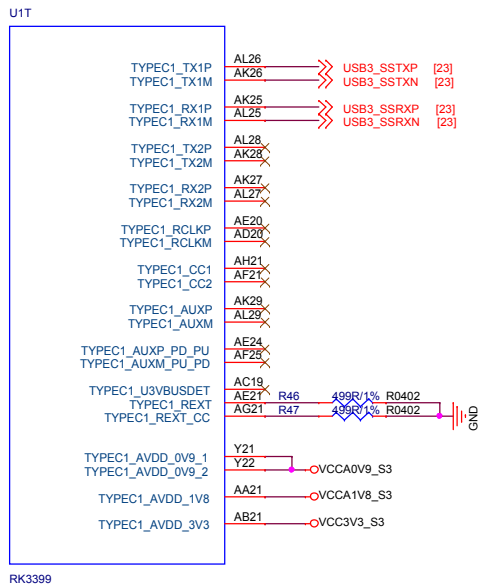
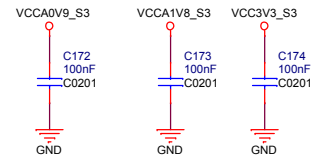
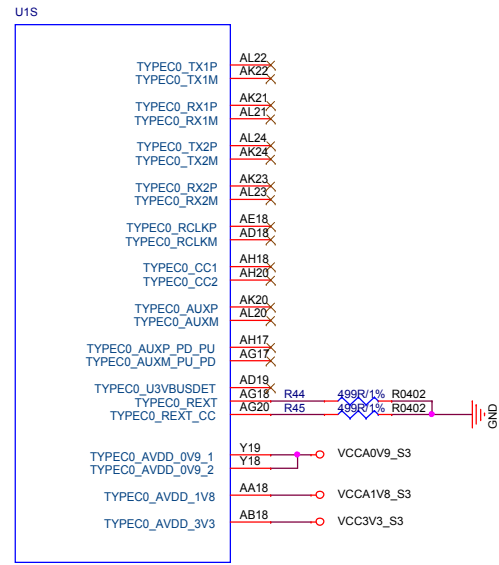
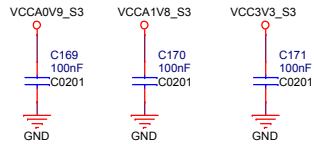
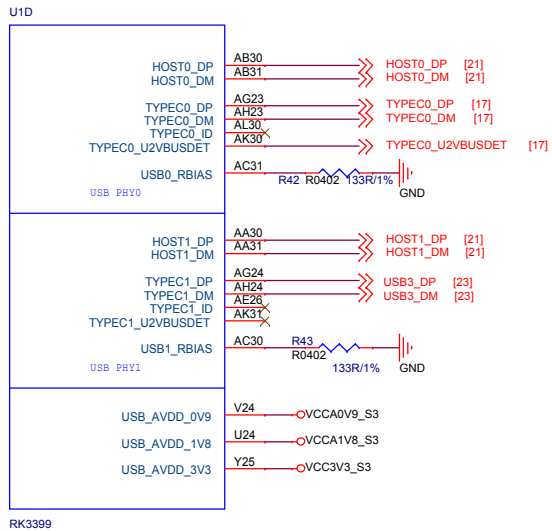


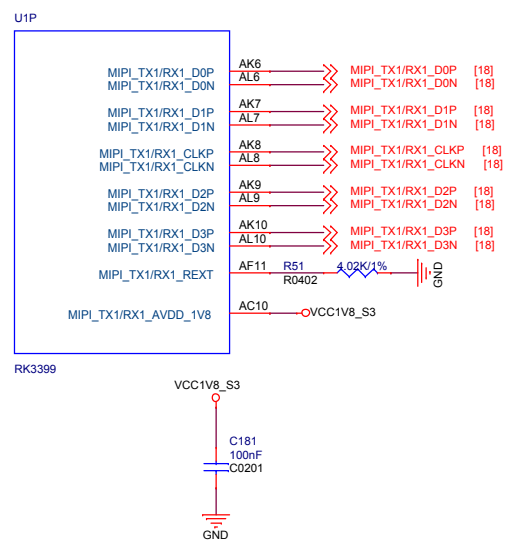
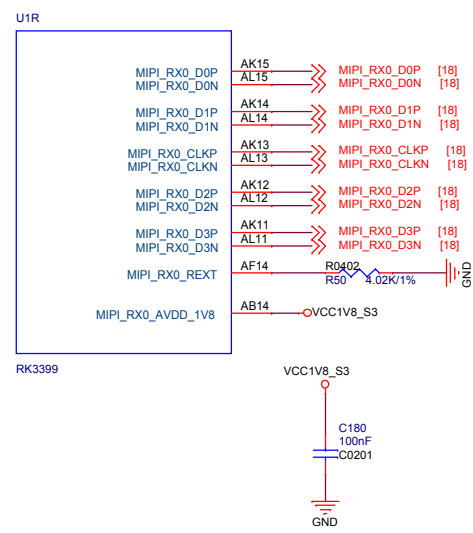
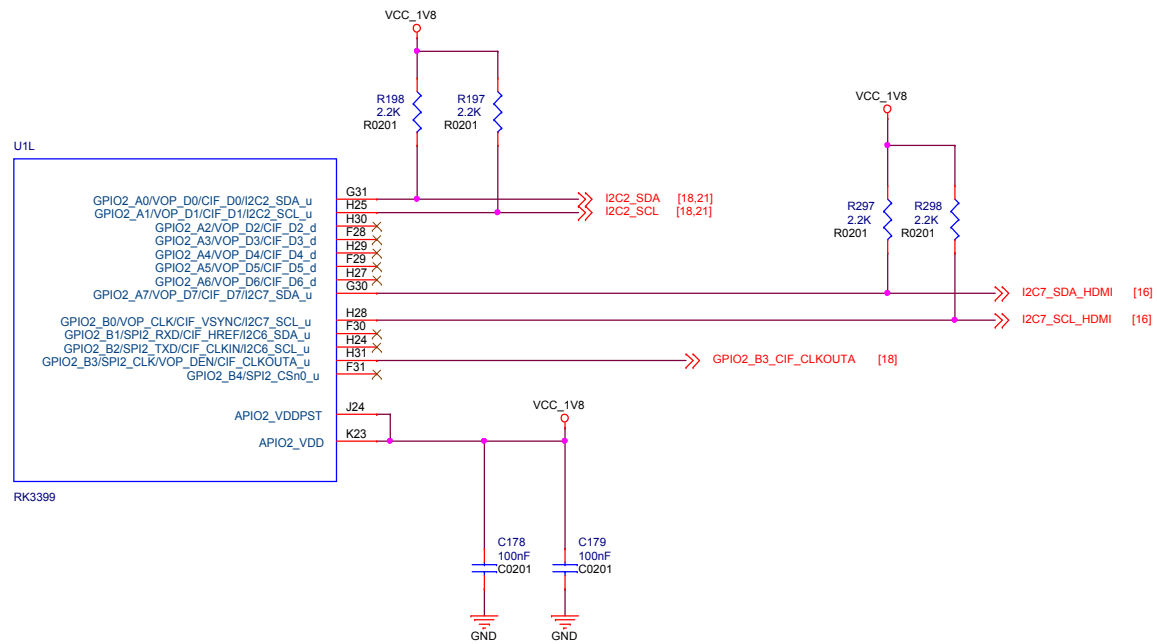


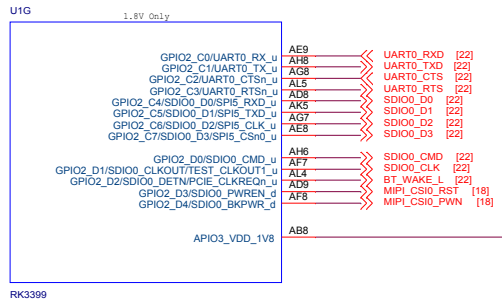
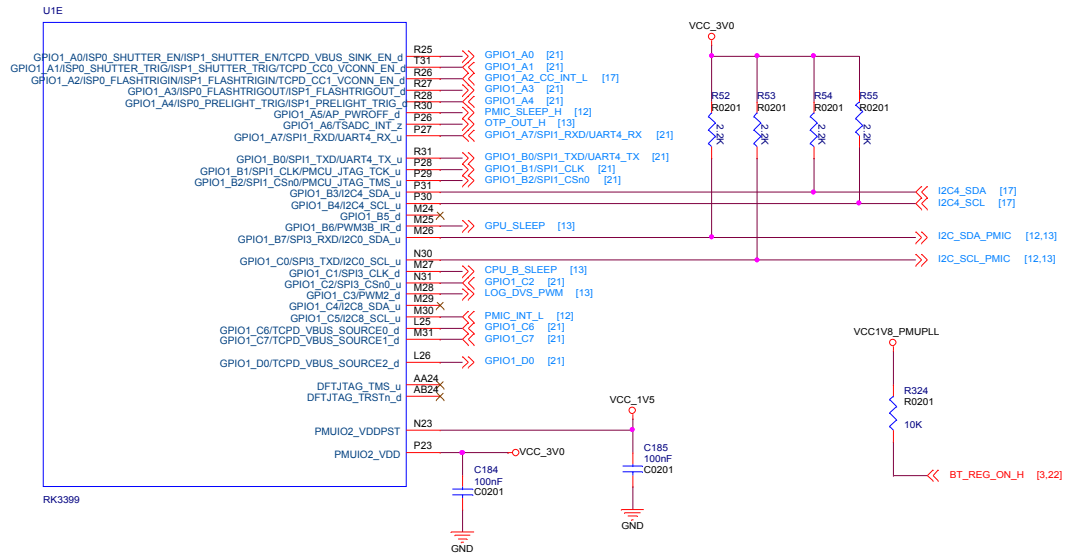
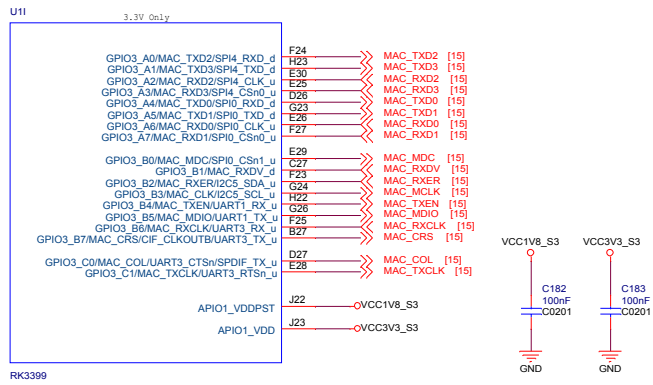




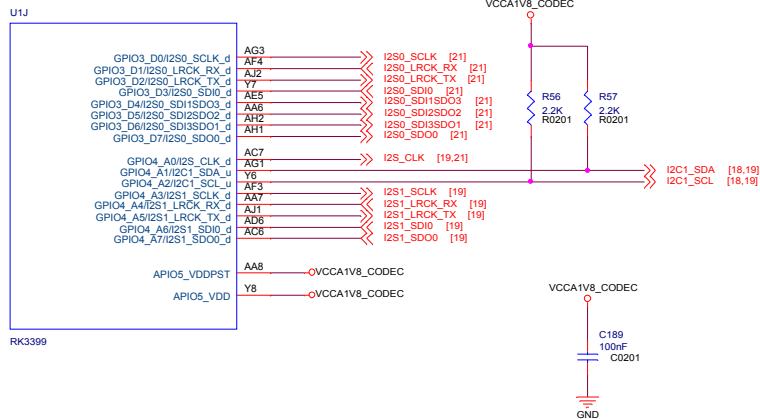
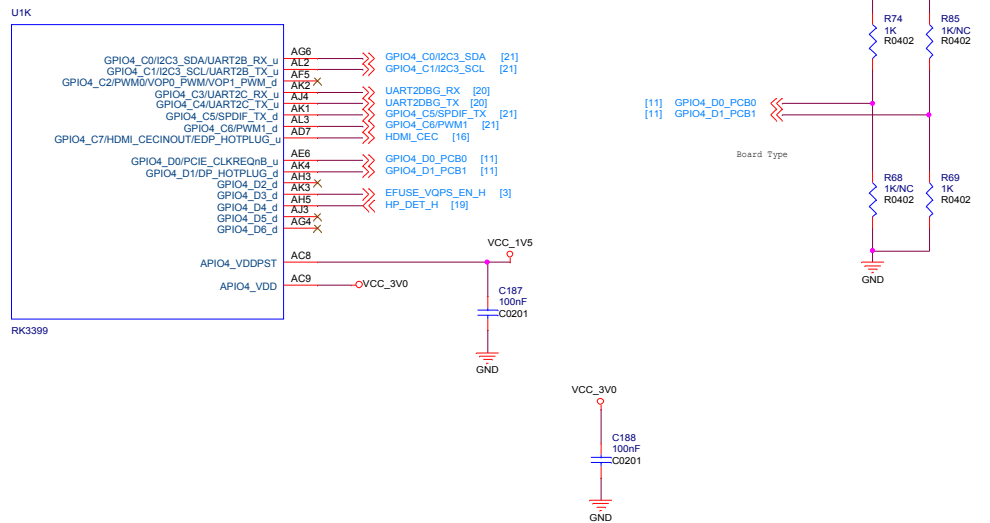




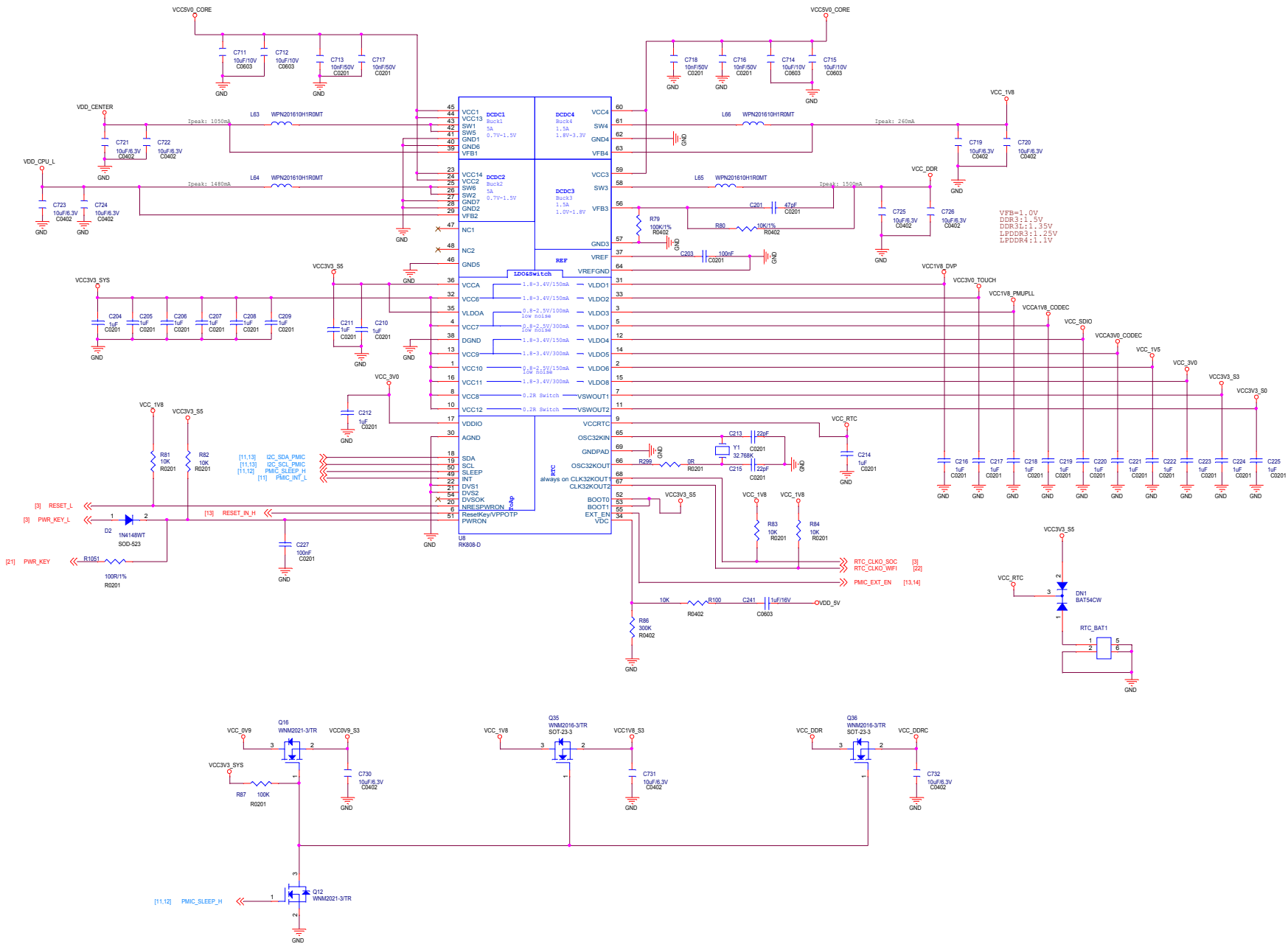


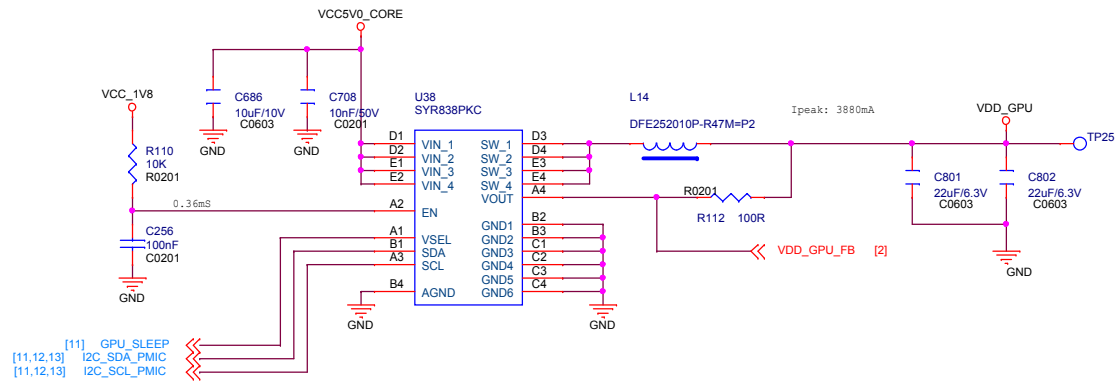


1.8V Only	VDDPST=VDDIO=1.8V
3.3V Only	VDDPST=1.8V, VDDIO=3.3V
other	3.0V mode: VDDPST=1.5V, VDDIO=3.3V 1.8V mode: VDDPST=1.8V, VDDIO=1.8V

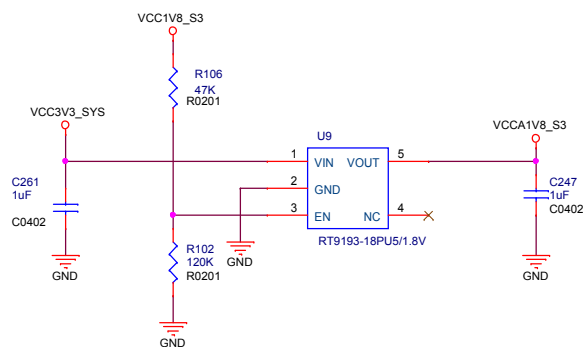
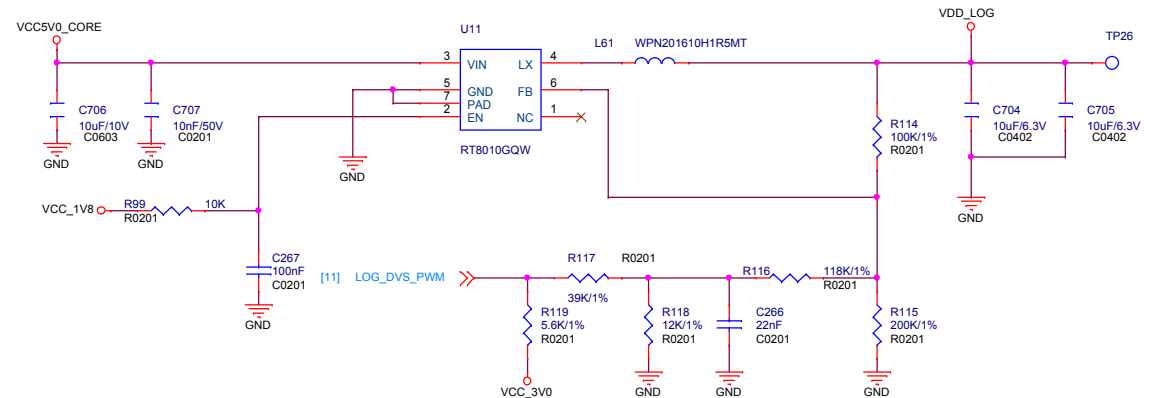
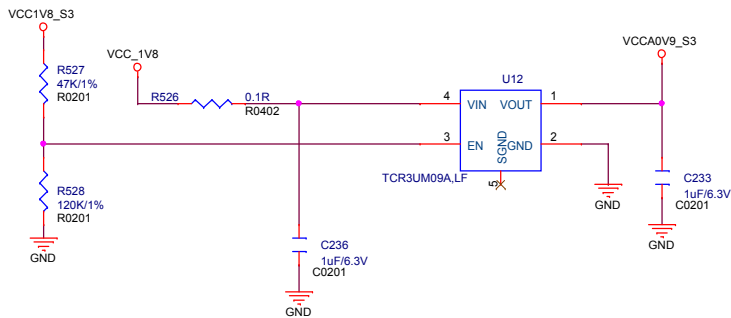
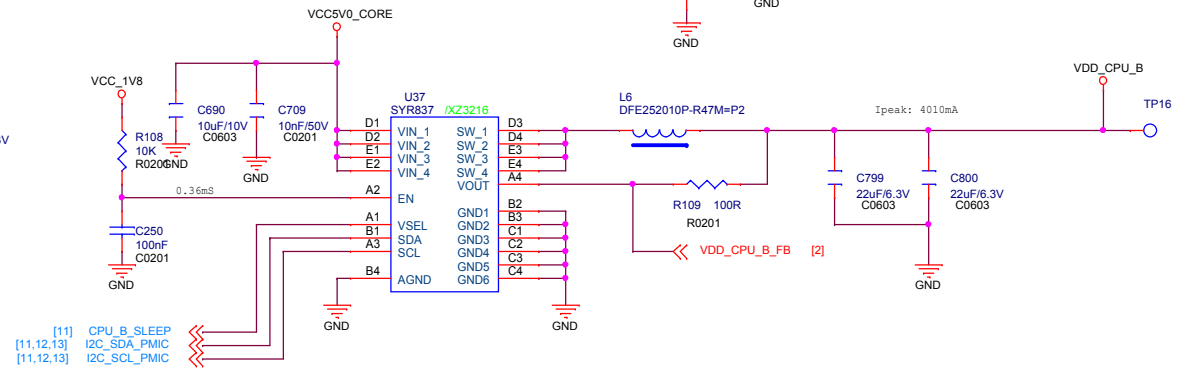
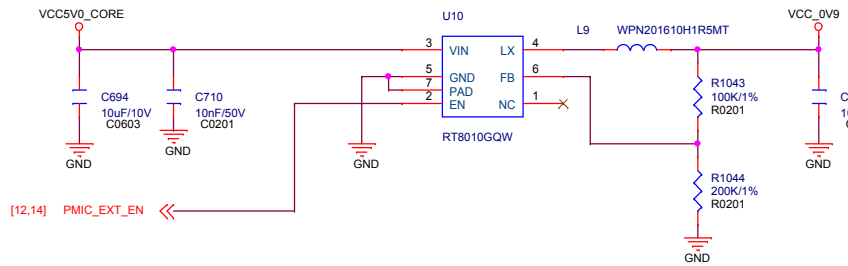
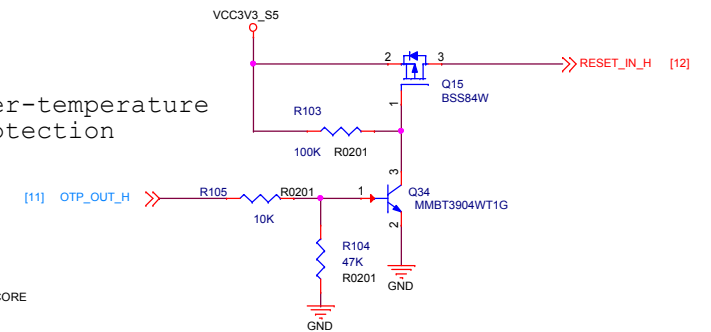


# PMIC RK808



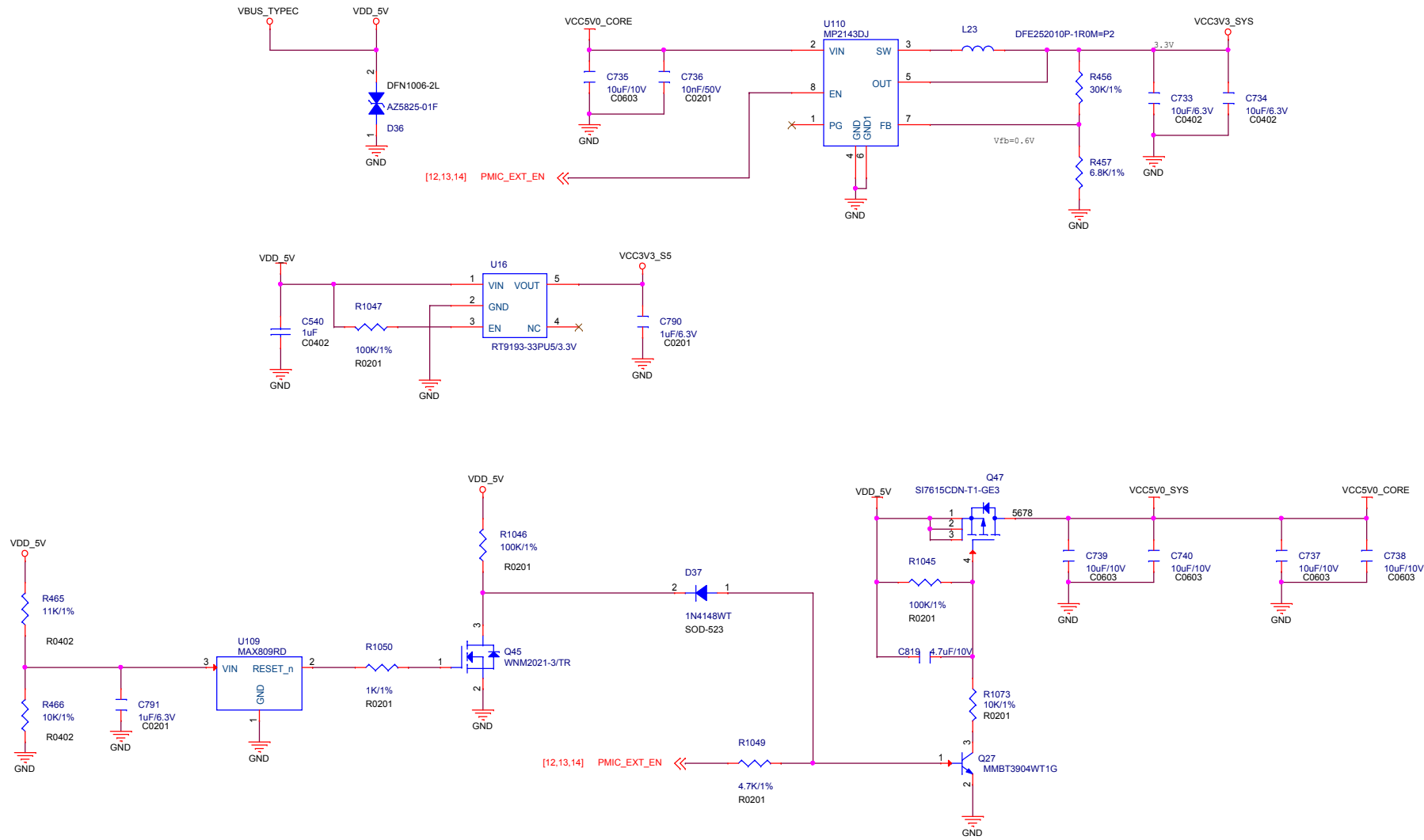


### Over-temperature Protection

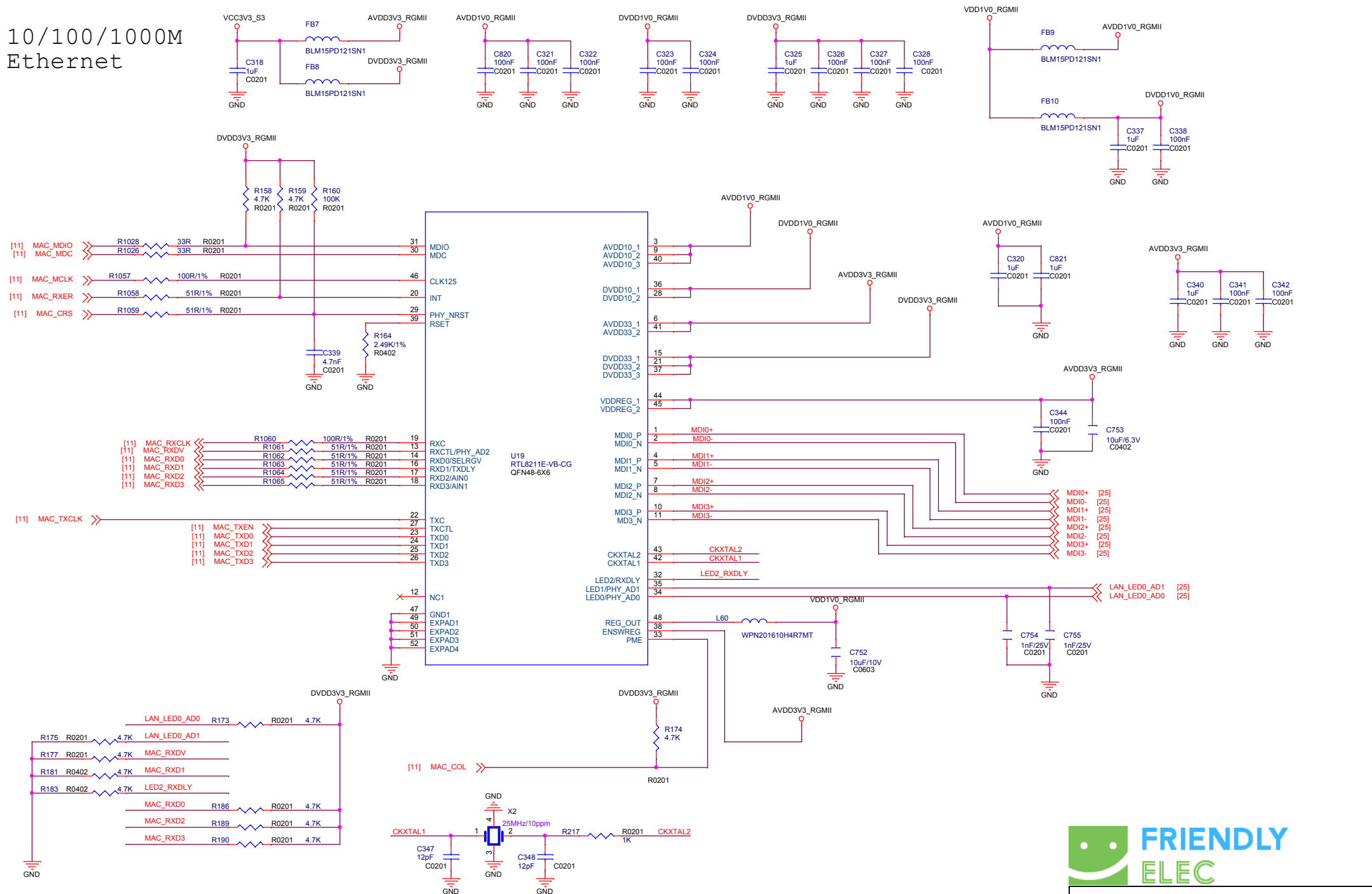


NanoPi M4		
Size	Document Number	Rev
A3	13.Power2-CPU/GPU/etc	Ver2.0 1908
Date:	Tuesday, September 10, 2019	Sheet 13 of 25

# Power Supply

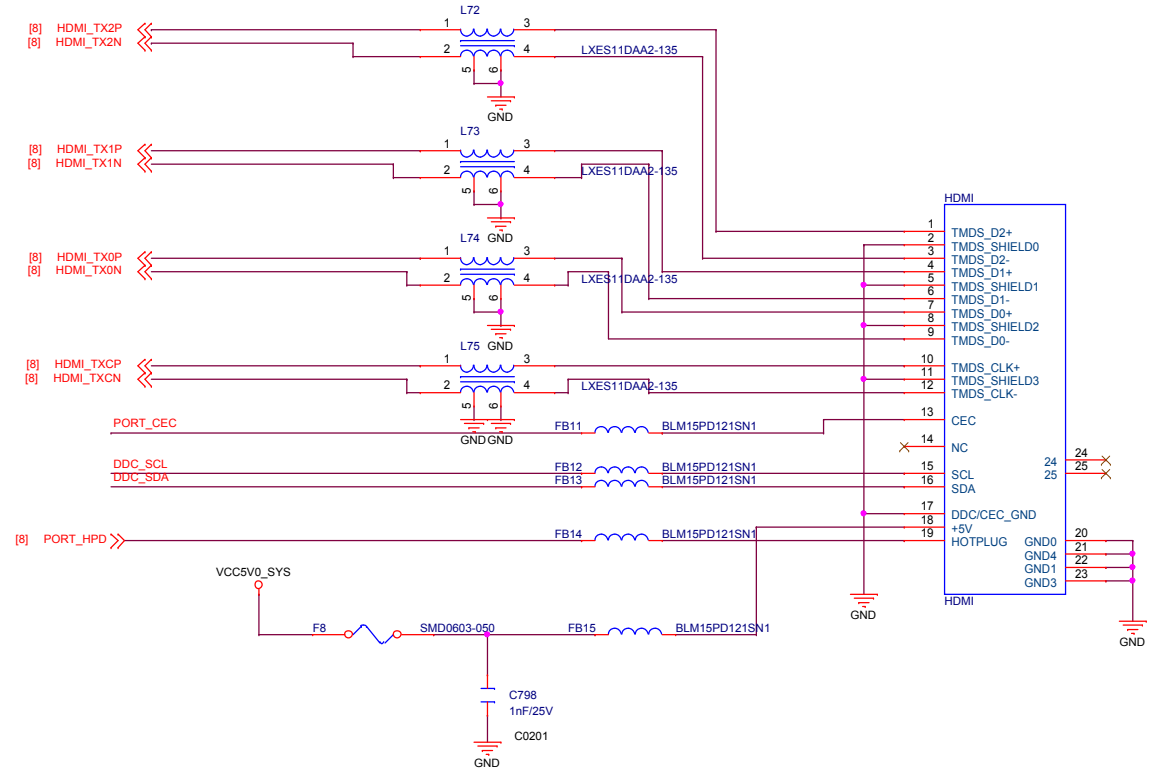
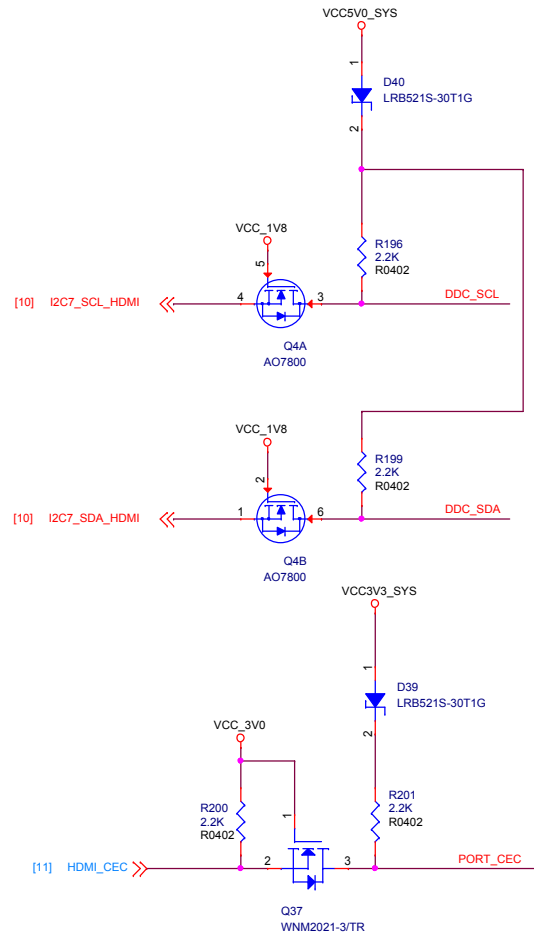


# 10/100/1000M Ethernet



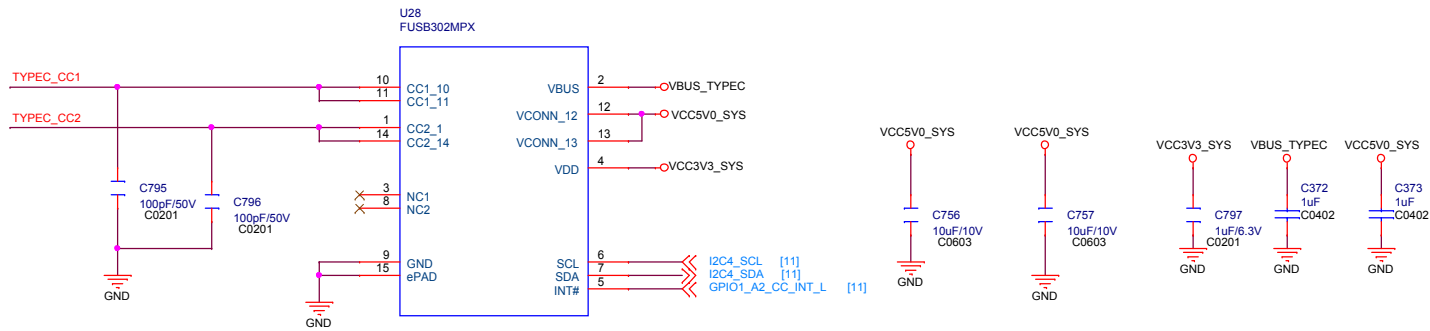
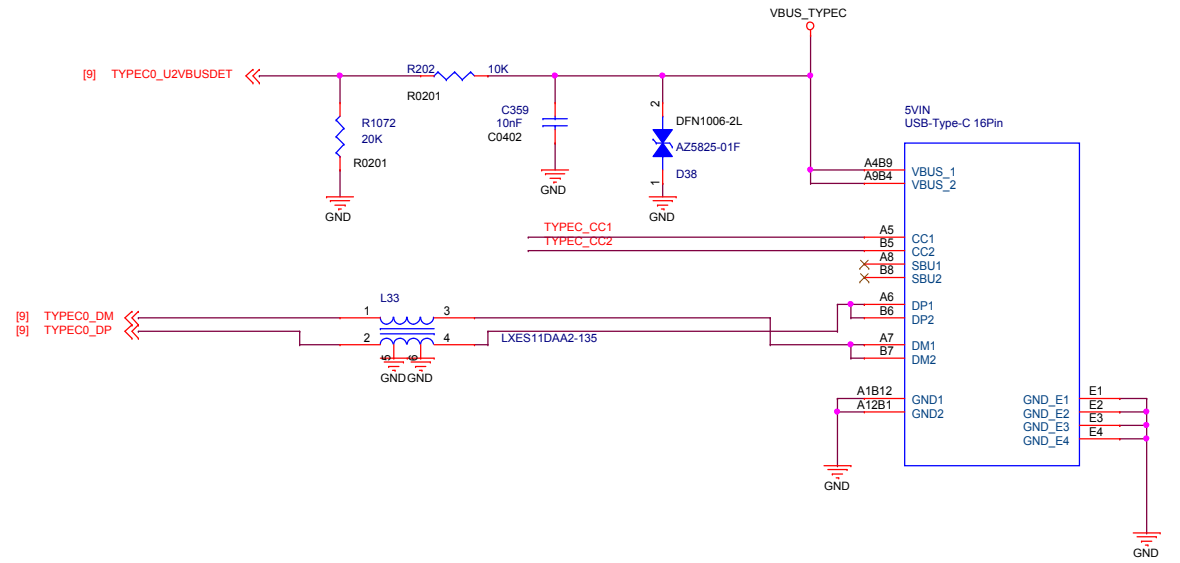
NanoPi M4		
Size A3	Document Number 15.RGMII-10/100/1000M	Rev Ver2.0 1908
Date: Monday, January 13, 2020	Sheet 15	of 25

# HDMI Port

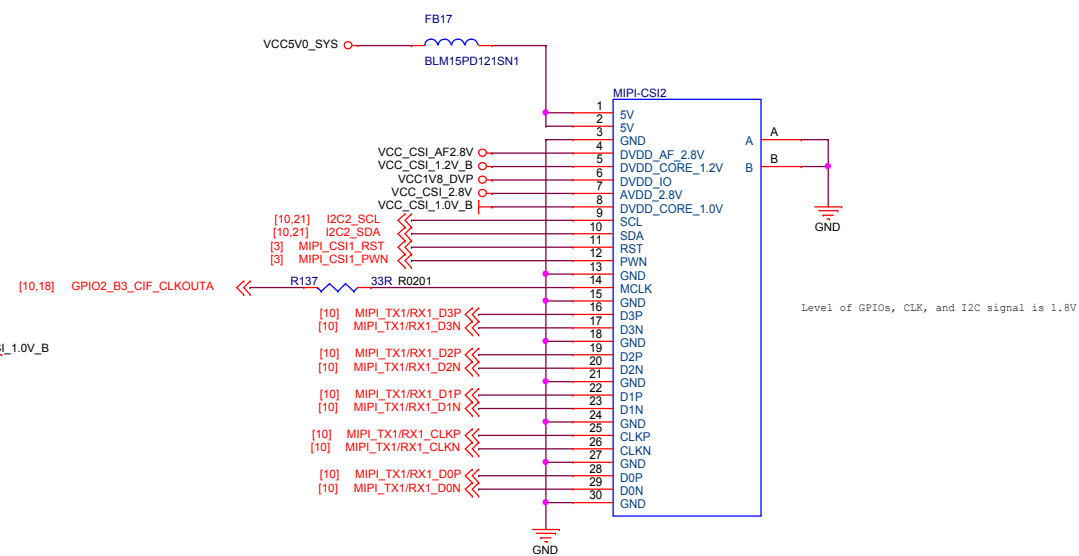
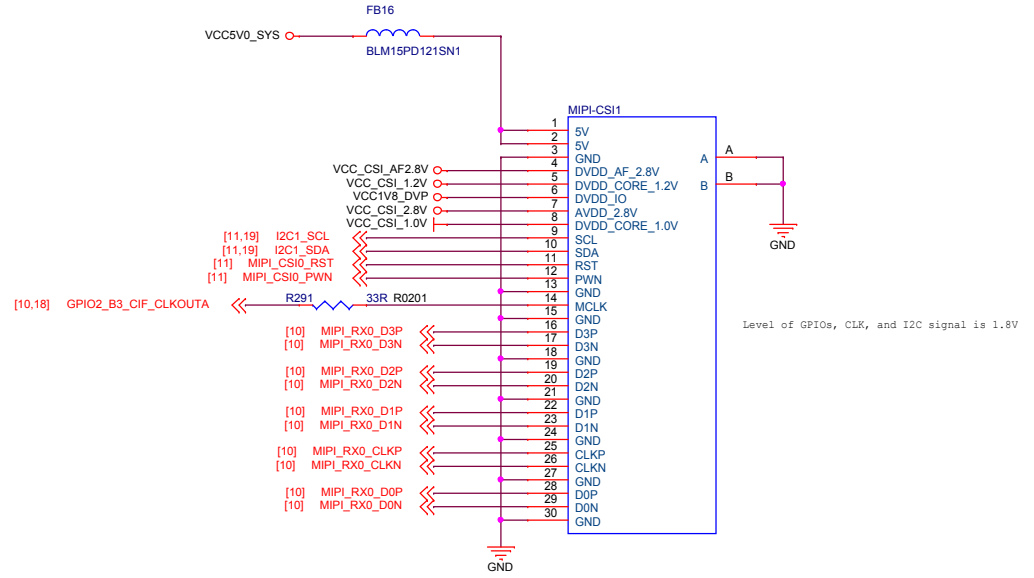
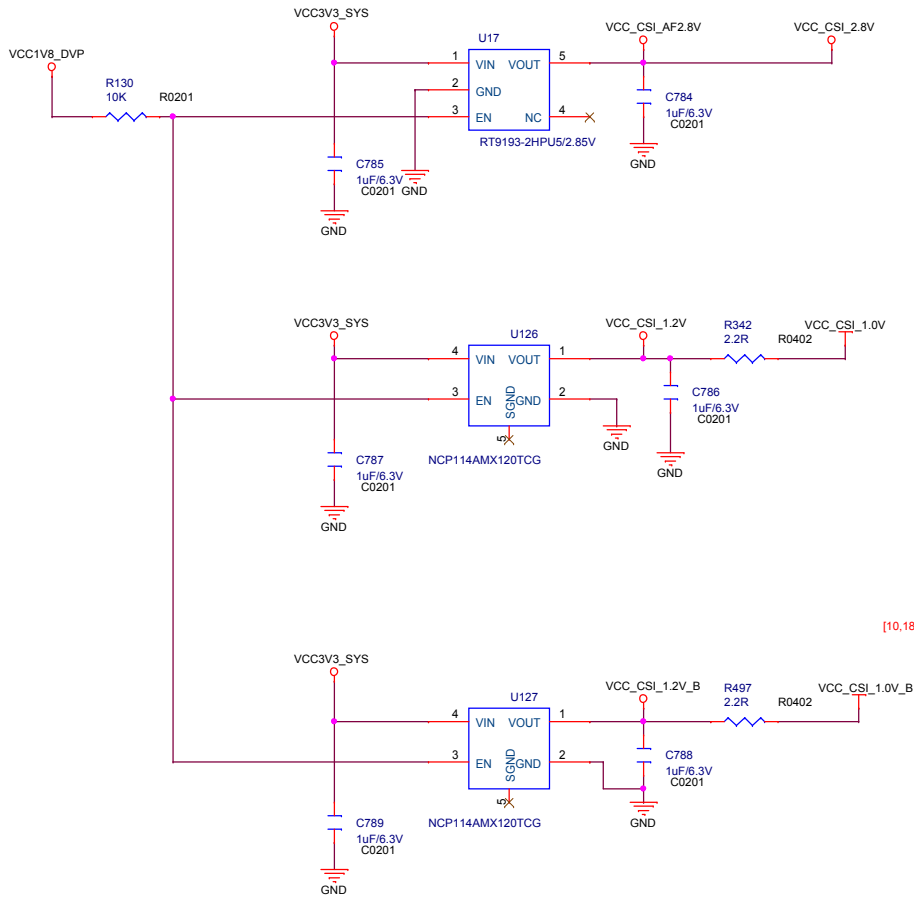




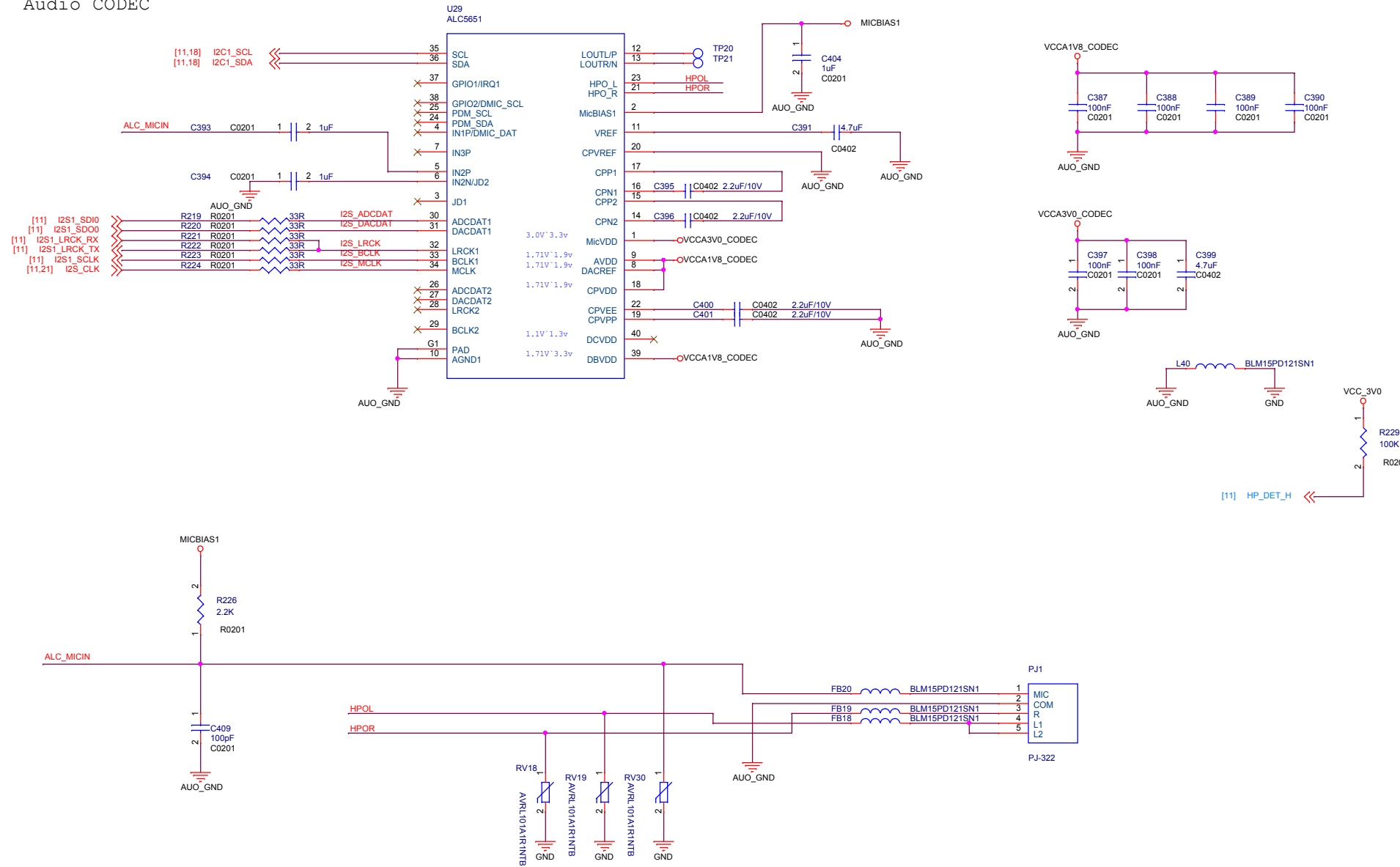
# USB Type-C

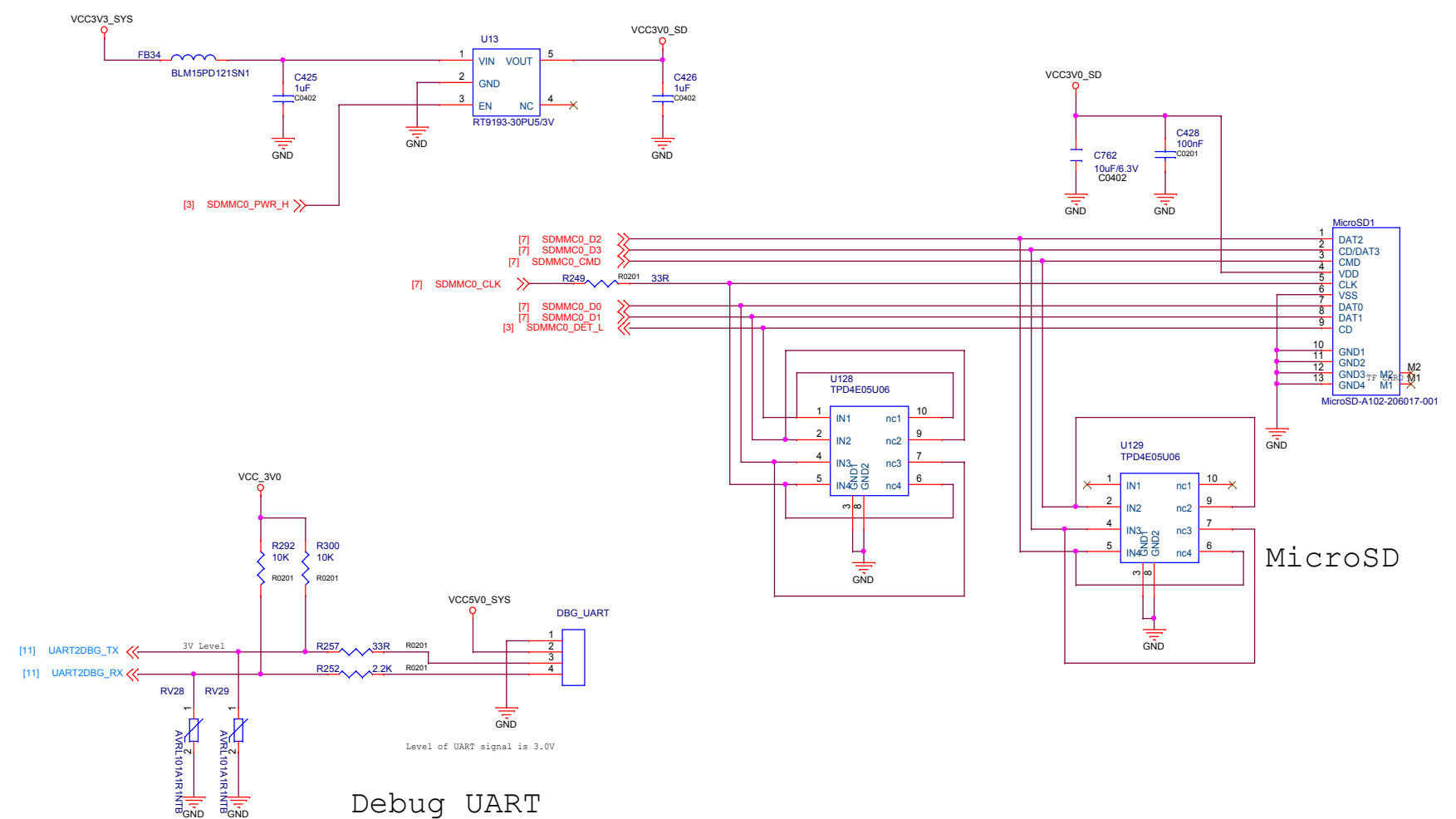


# MIPI-CSI



# Audio CODEC

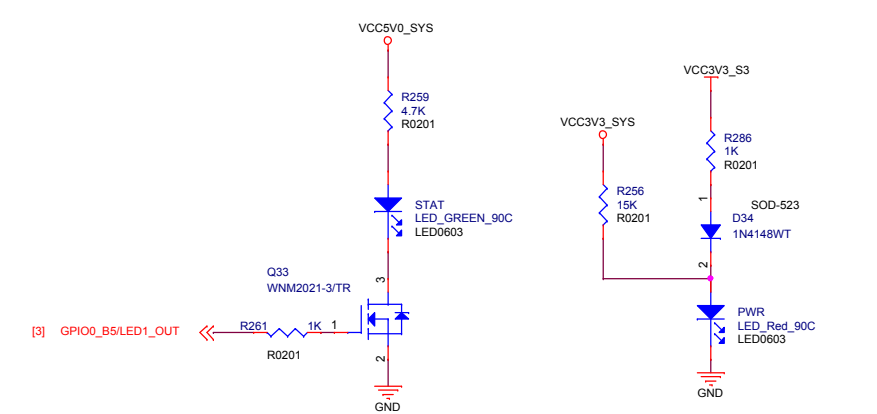
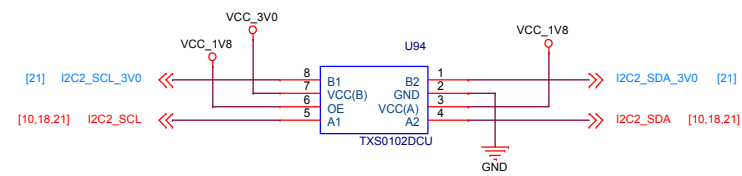
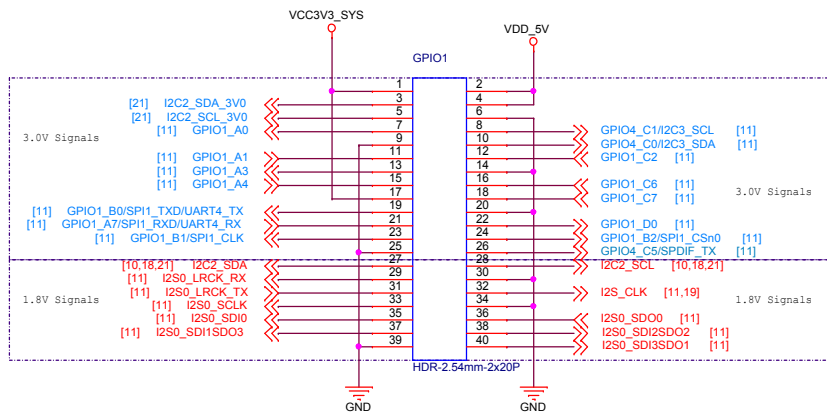




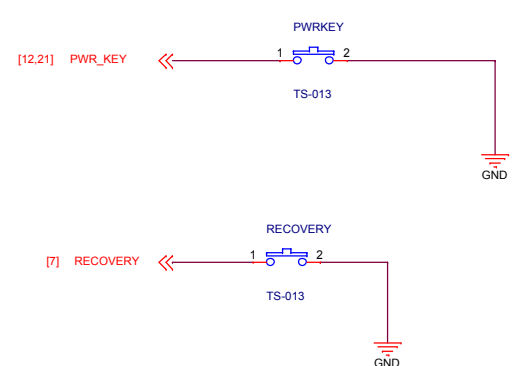
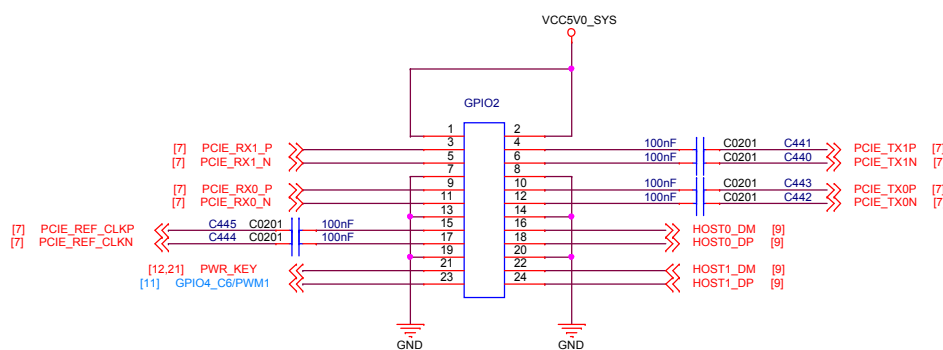
Debug UART



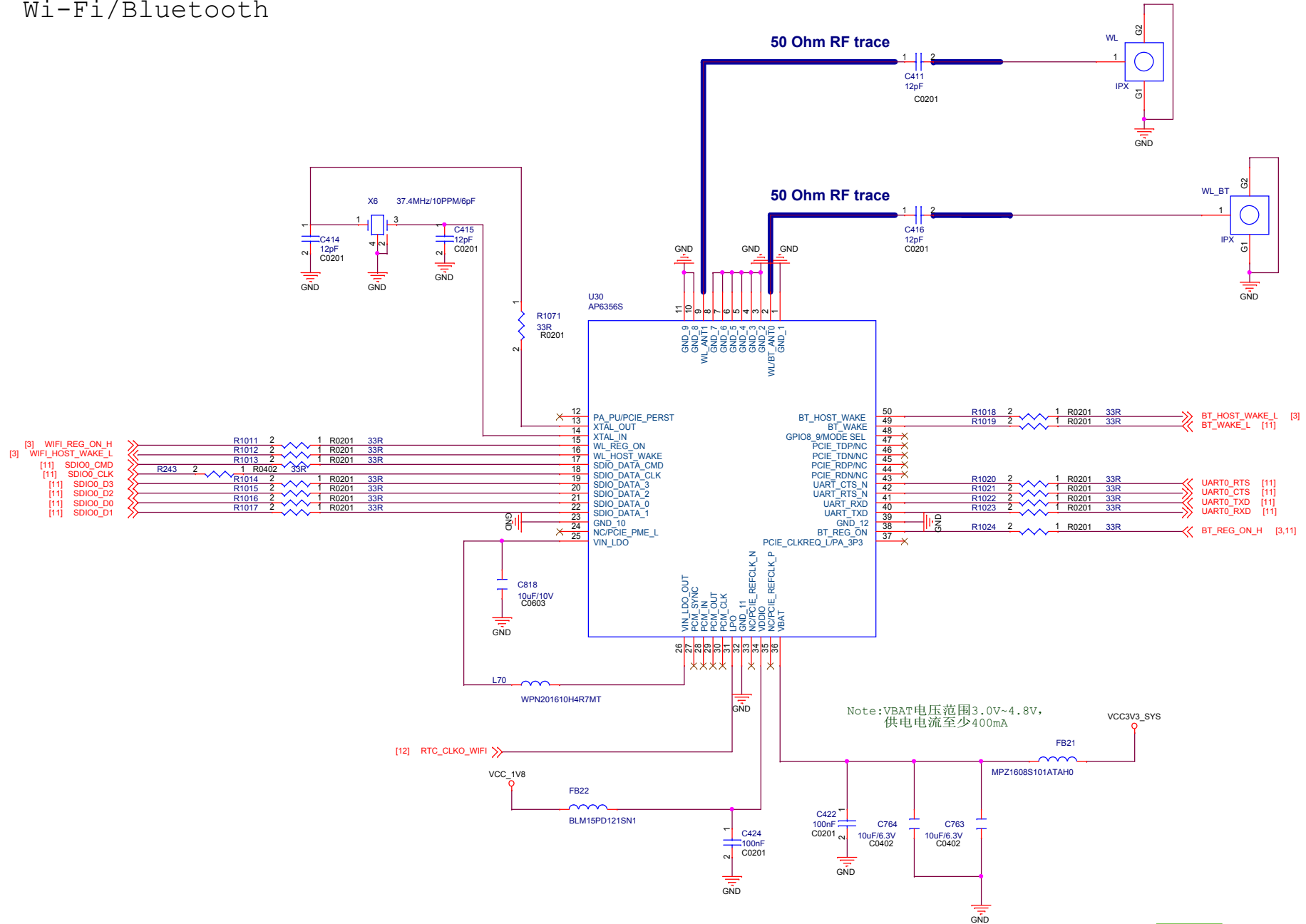
# GPIO



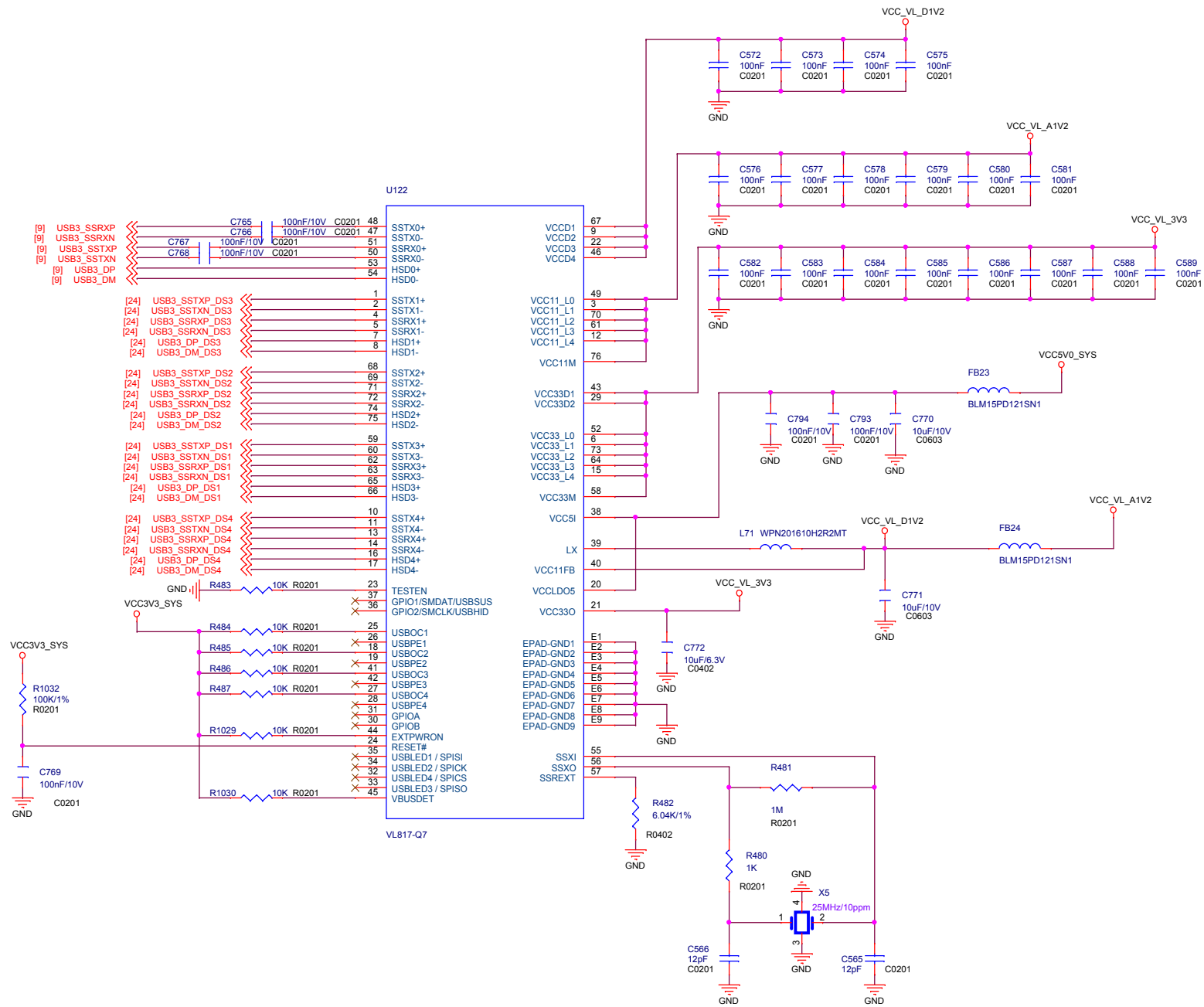
# PCIe, USB



# Wi-Fi/Bluetooth



USB3.0 Hub



# USB3.0 Host

