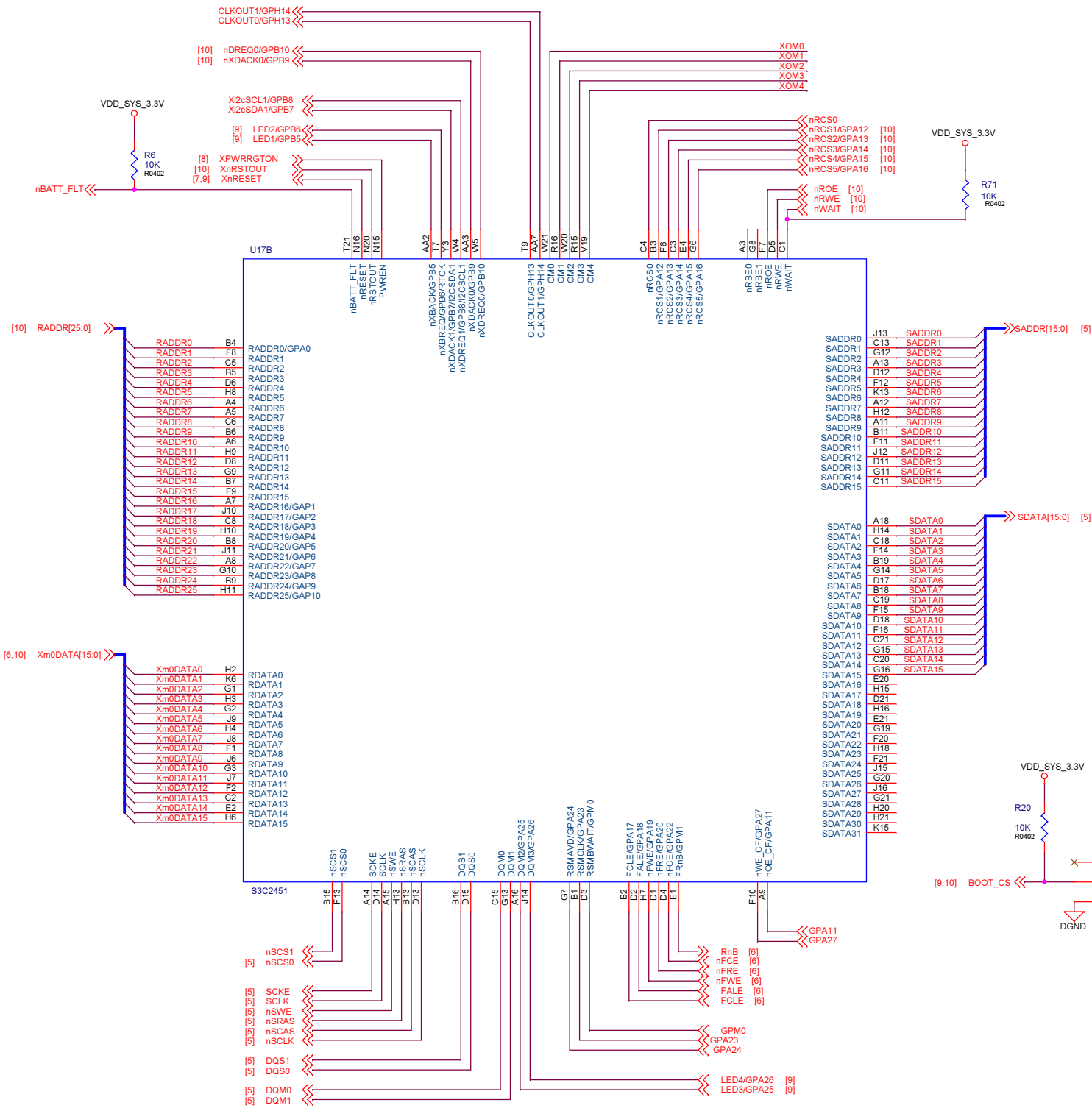
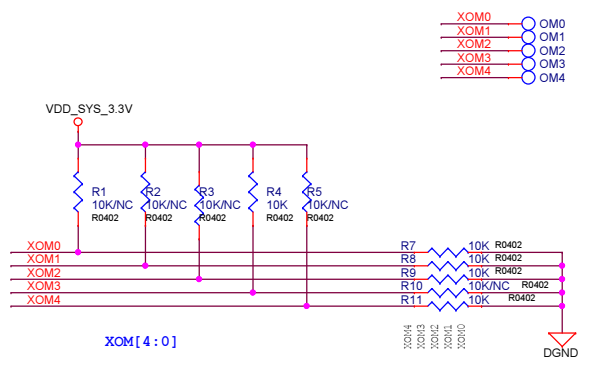


Micro2451 1506

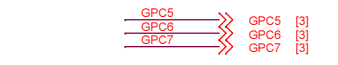
Title		
Size A3	Document Number <Doc>	Rev
Date:	Tuesday, July 14, 2015	Sheet 1 of 11

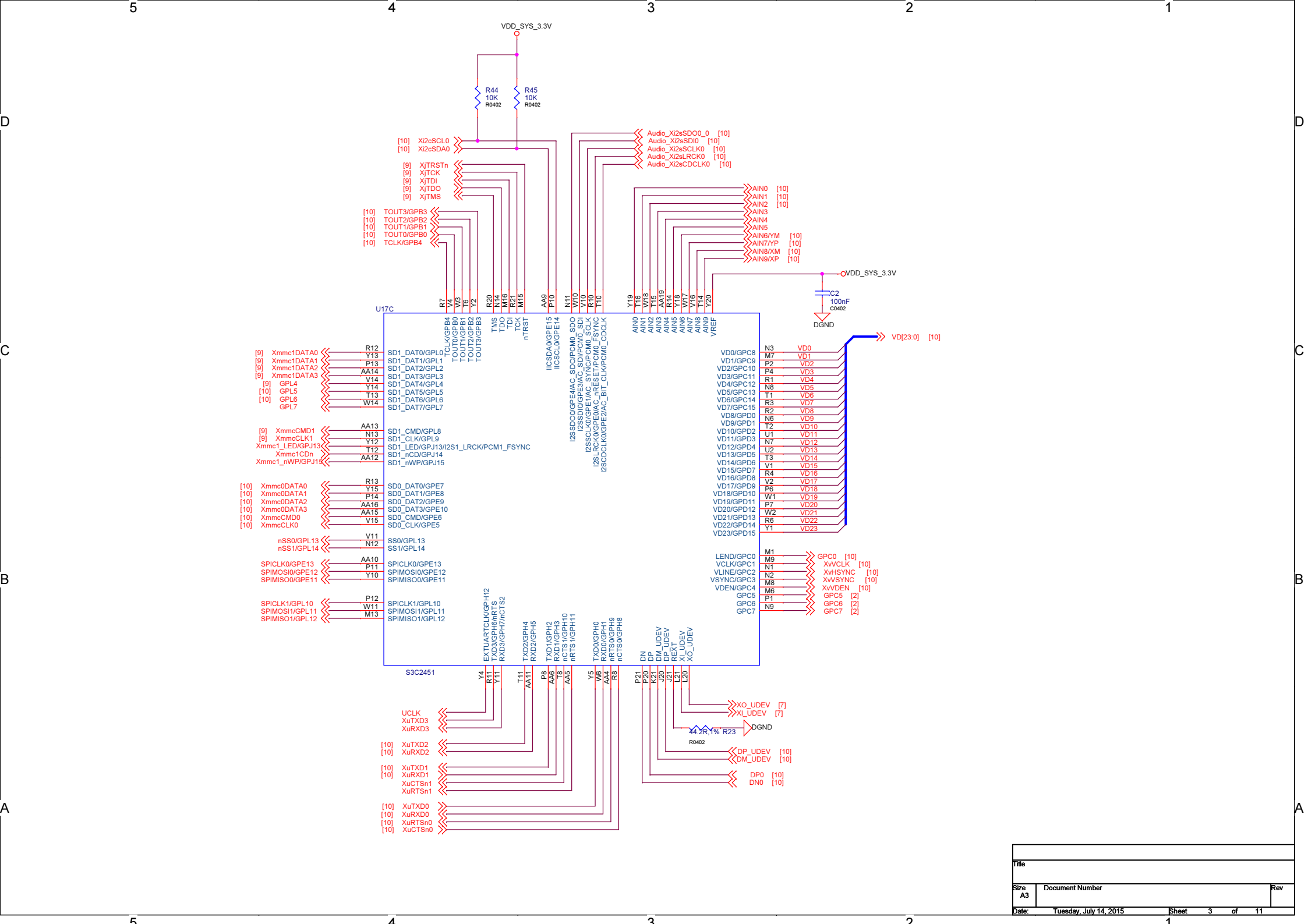


BootingMode Option

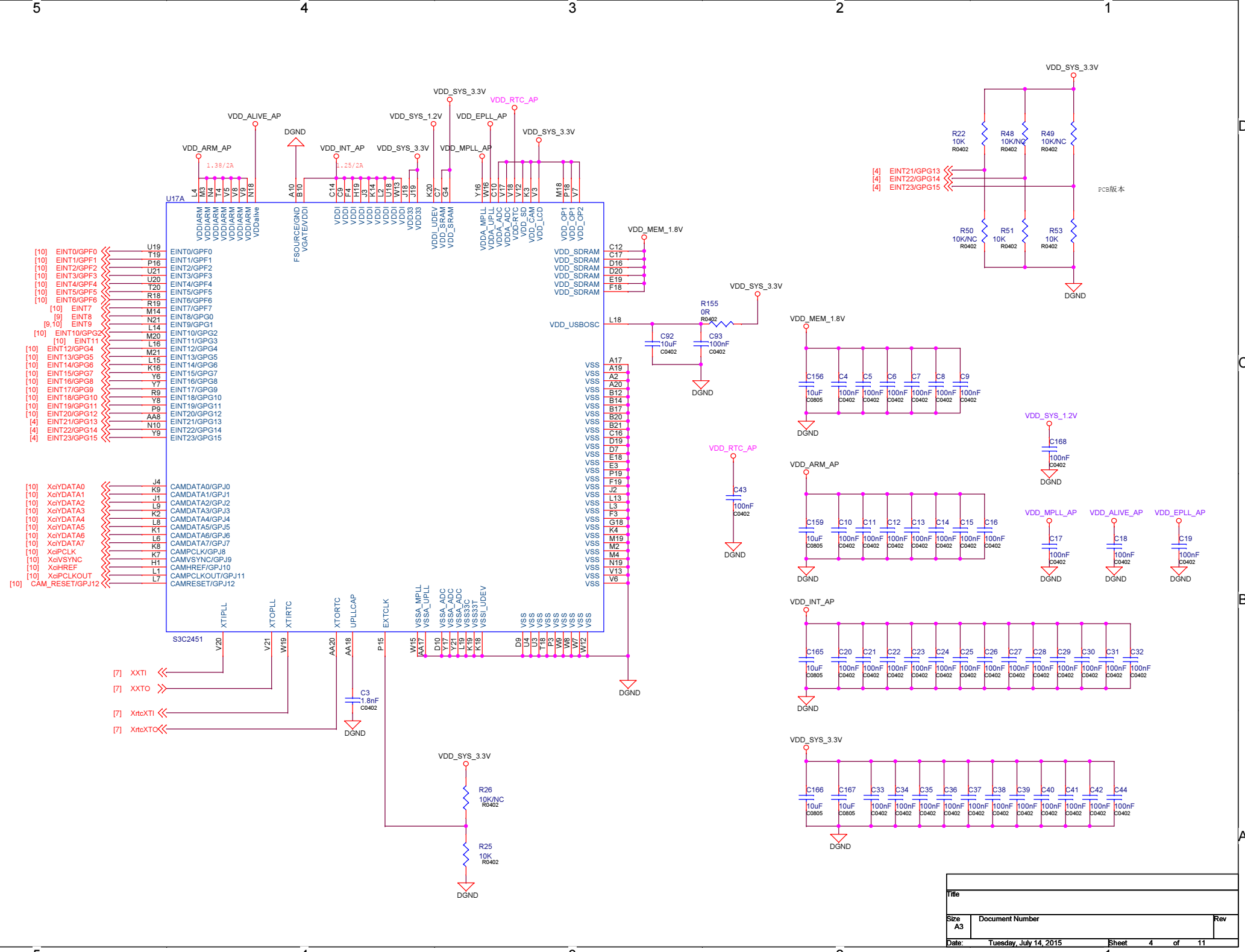


Boot Mode	GM4	GM3	GM2	GM1	GM0
IRQM	0	1	0	0	0

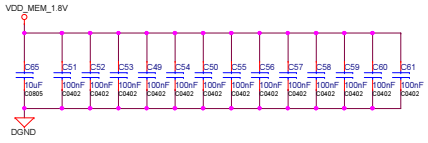
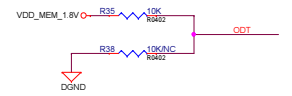
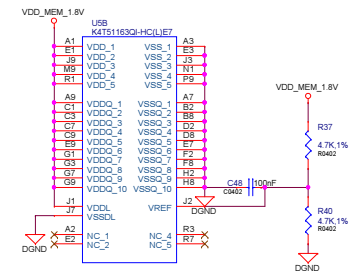
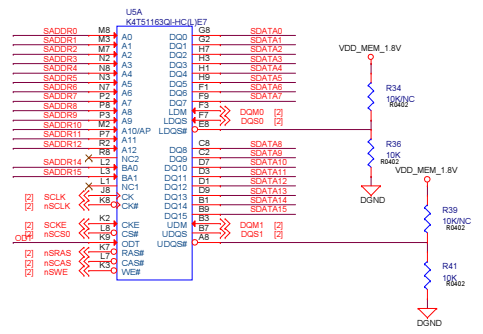
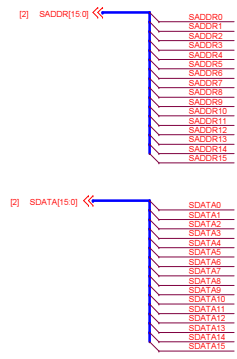




Title		
Size	Document Number	Rev
A3		
Date:	Tuesday, July 14, 2015	Sheet 3 of 11

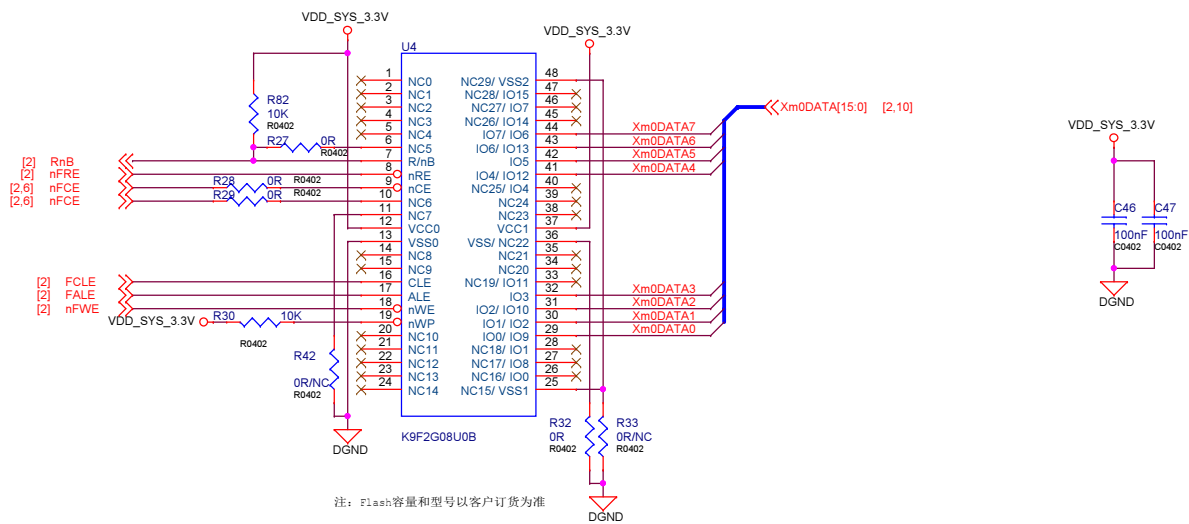


Title		
Size	Document Number	Rev
Date:	Tuesday, July 14, 2015	Sheet 4 of 11



Title		
Size	Document Number	Rev
A2		
Date:	Tuesday, July 14, 2015	Sheet 5 of 11

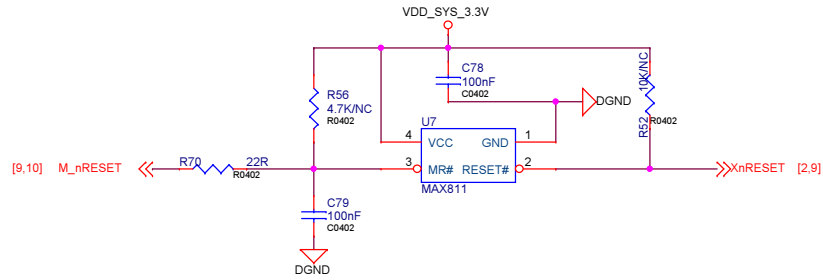
NAND Flash memory



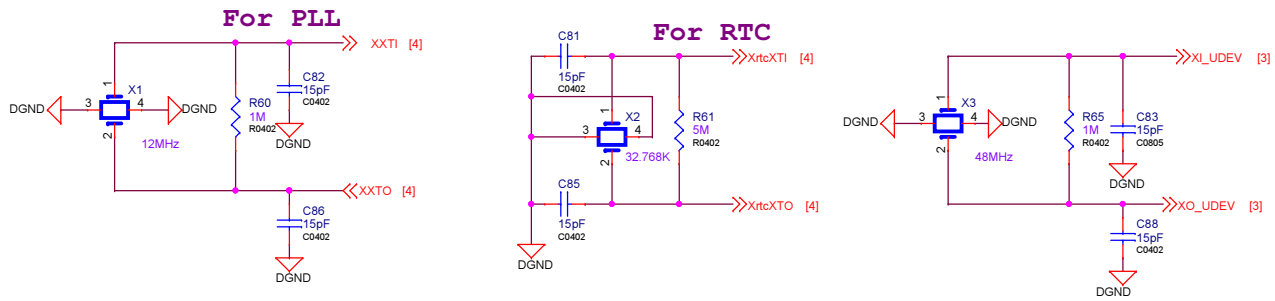
注: Flash容量和型号以客户订货为准

Title		
Size A3	Document Number <Doc>	Rev <RevCod>
Date: Tuesday, July 14, 2015	Sheet 6 of 11	

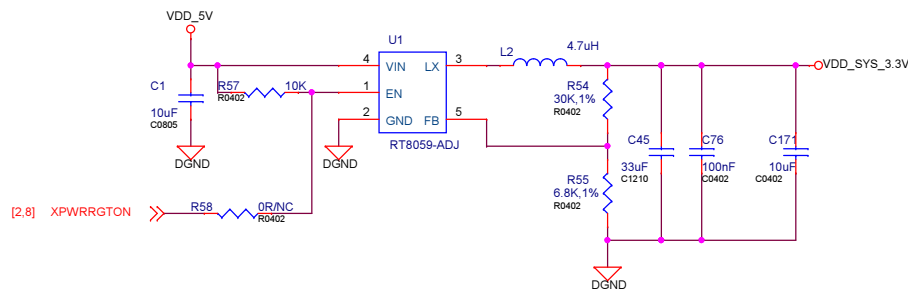
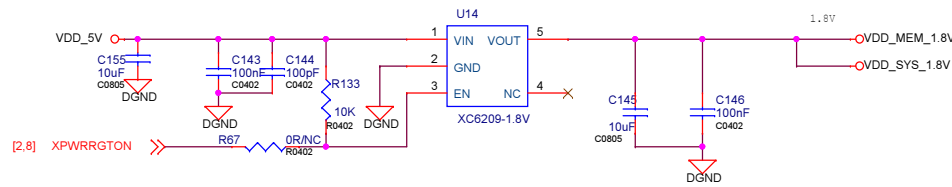
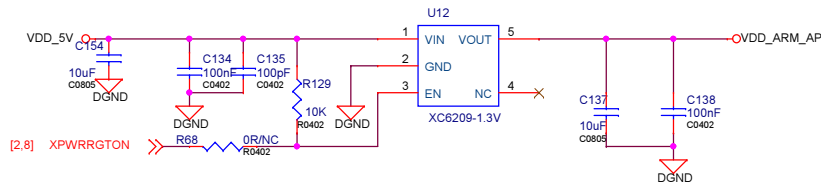
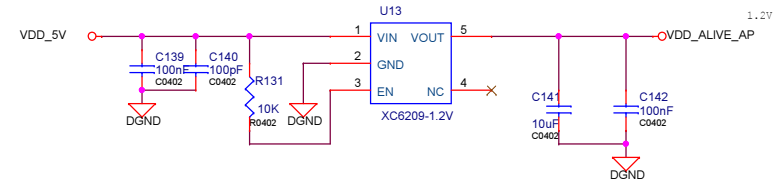
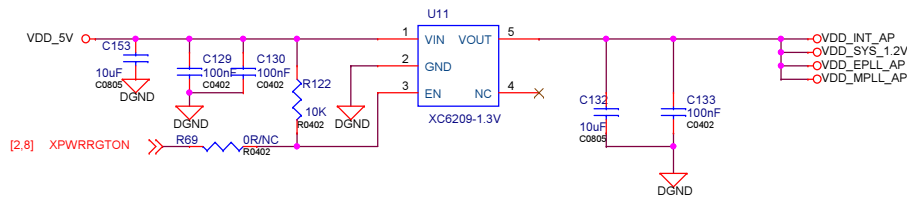
Reset



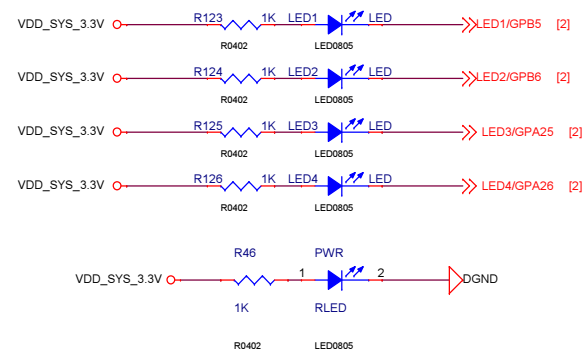
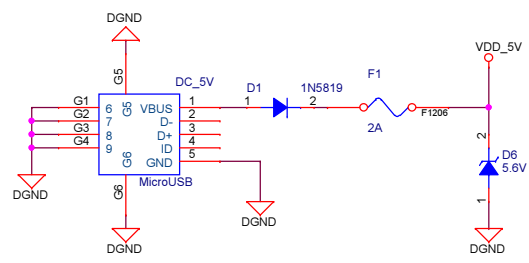
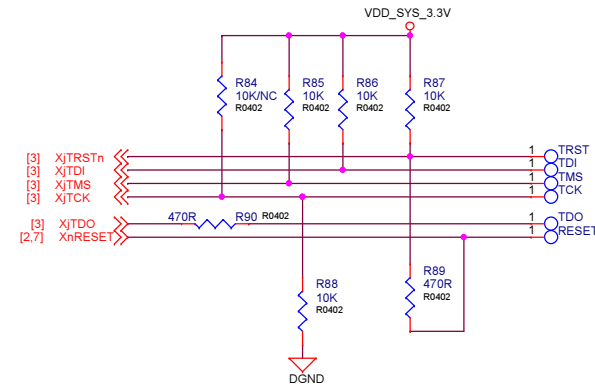
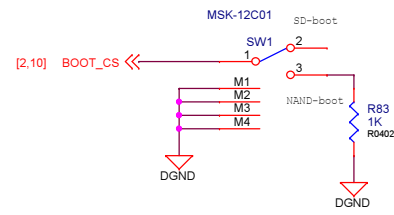
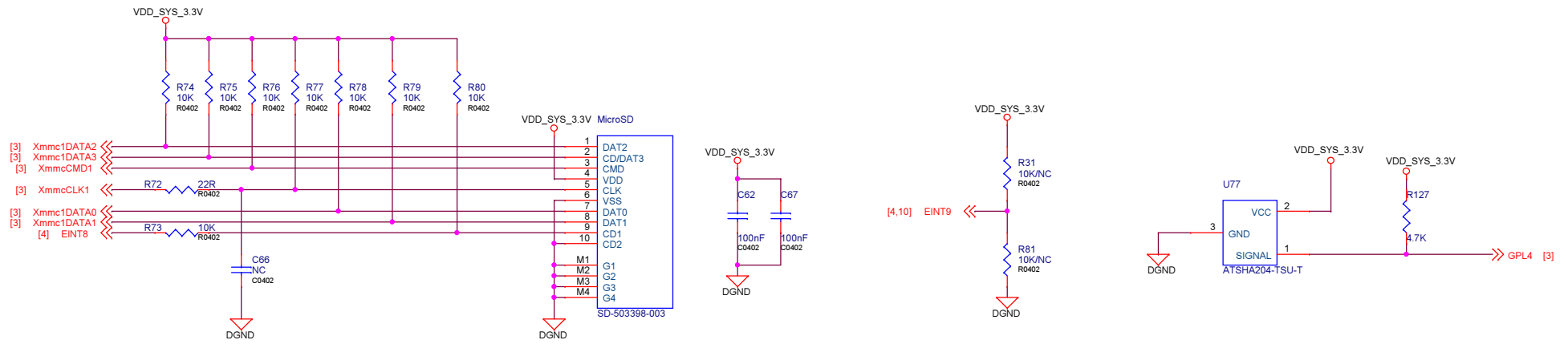
Clock



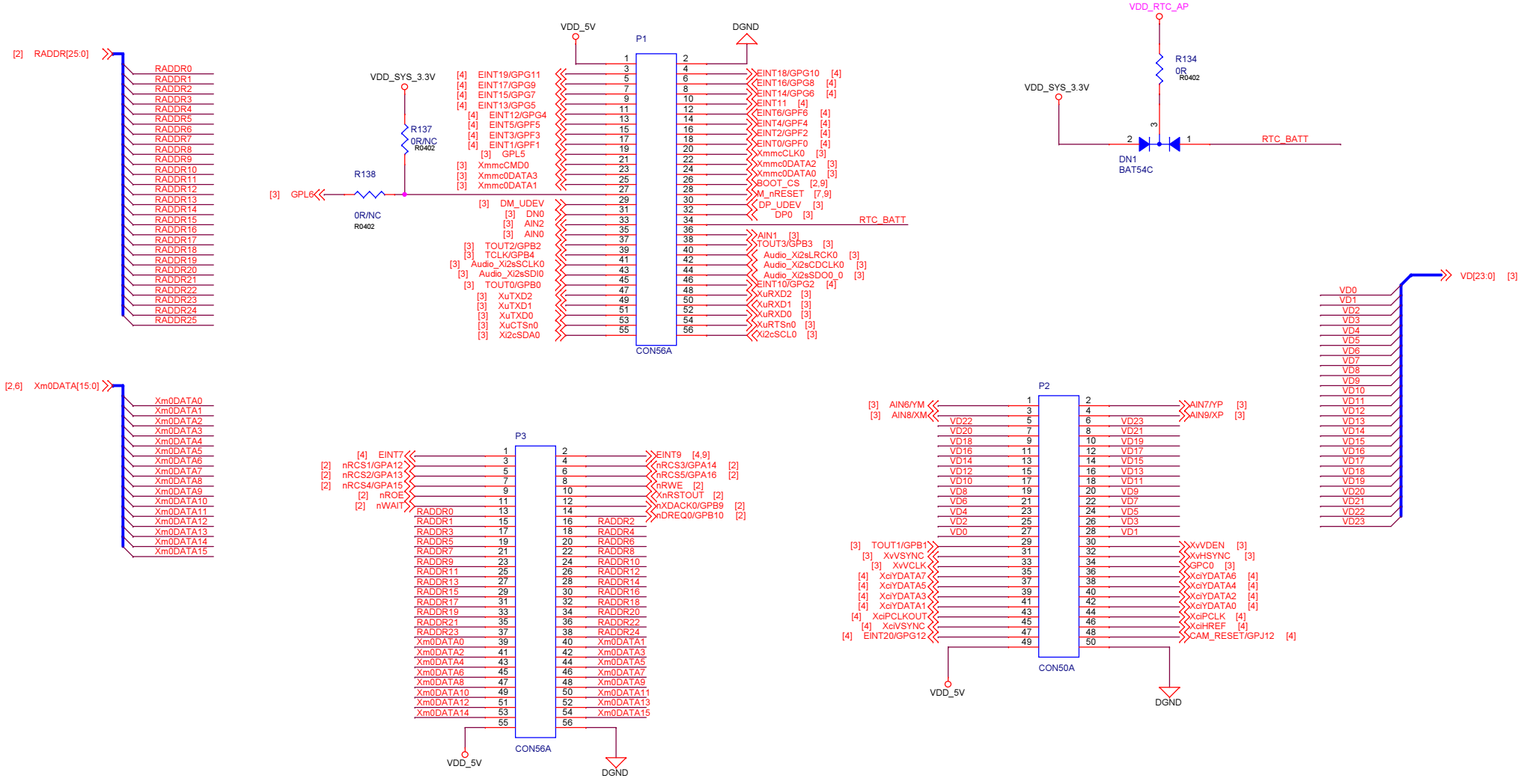
Title		
Size A3	Document Number	Rev
Date: Tuesday, July 14, 2015	Sheet 7 of 11	



Title		
Size A3	Document Number	Rev
Date: Tuesday, July 14, 2015	Sheet 8 of 11	



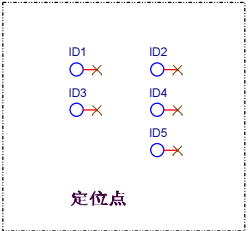
Title		
Size A3	Document Number <Doc>	Rev <Rev>
Date: Tuesday, July 14, 2015	Sheet 9 of 11	



Title		
Size	Document Number	Rev
A3		
Date:	Tuesday, July 14, 2015	Sheet 10 of 11

D

D



C

C

B

B

A

A

Title		
2451		
Size	Document Number	Rev
A3		
Date:	Thursday, April 16, 2015	Sheet 11 of 11
		1