

NanoPC T4

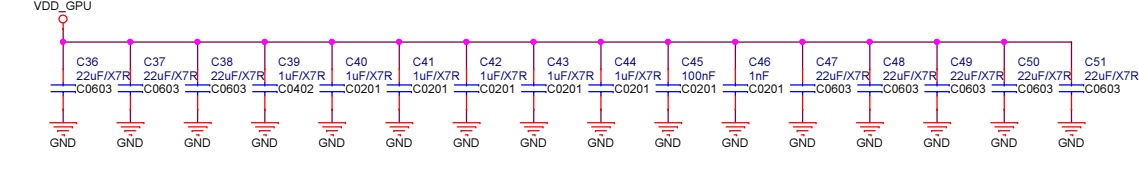
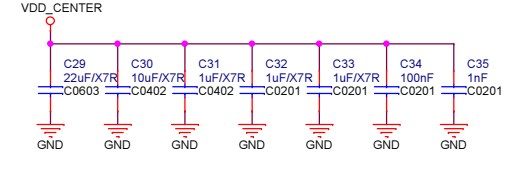
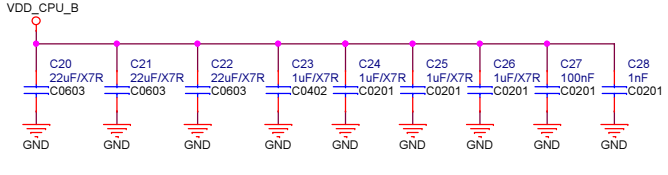
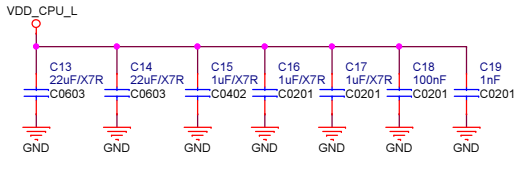
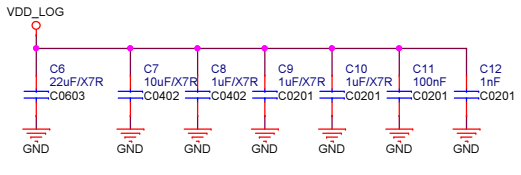
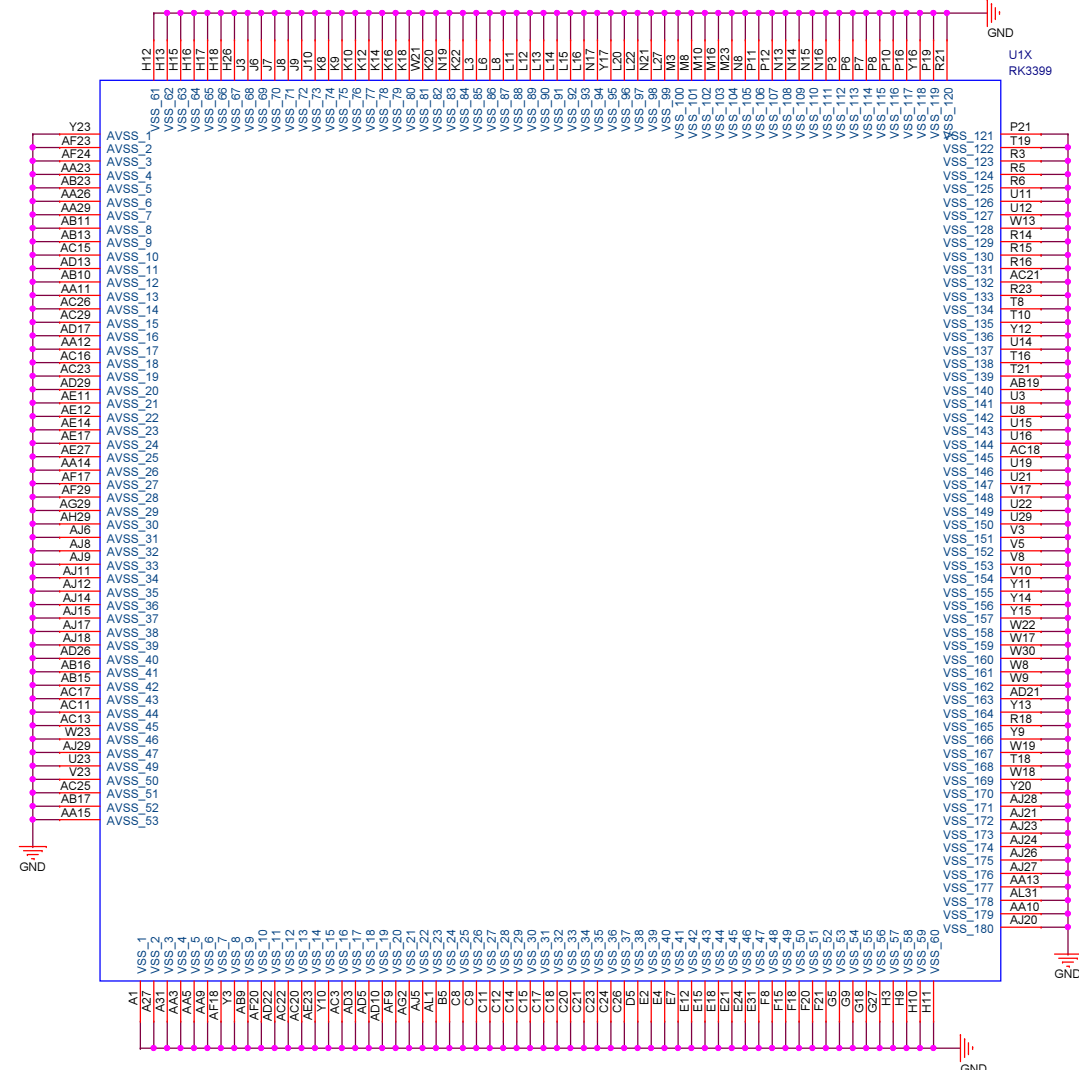
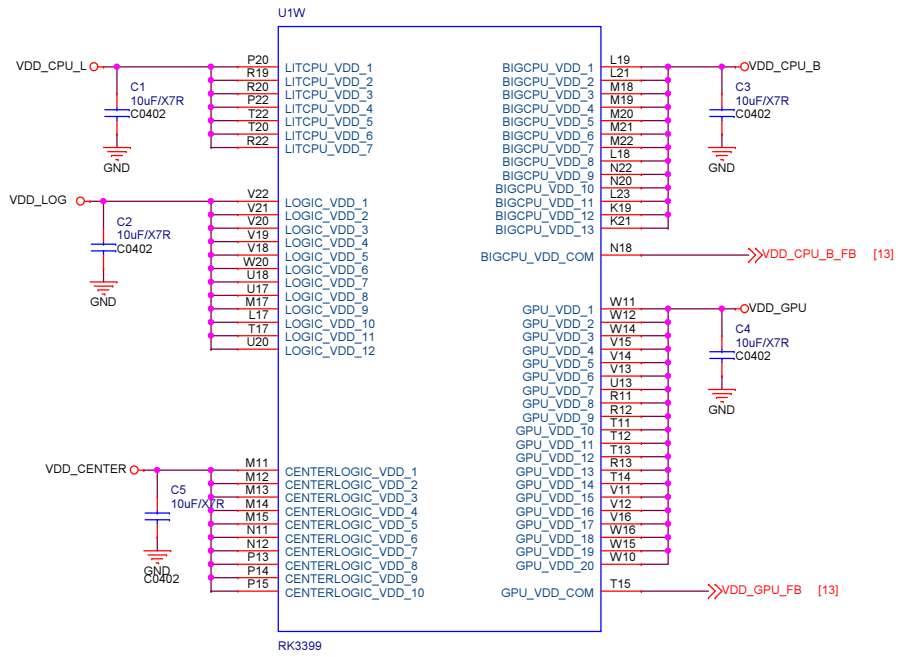
Revision

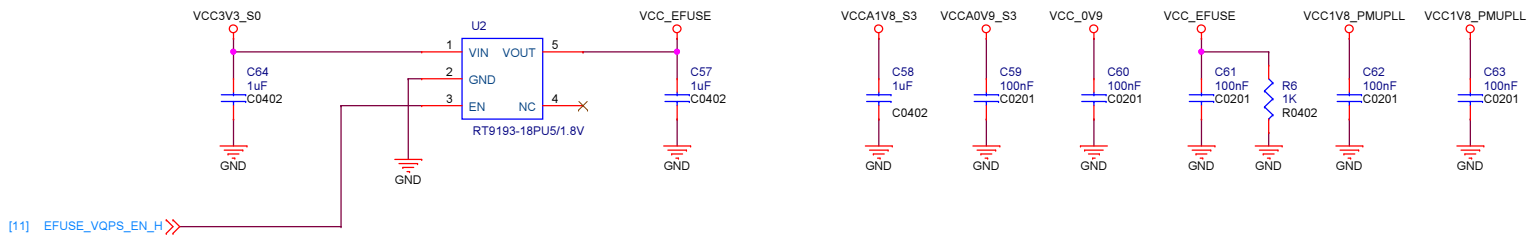
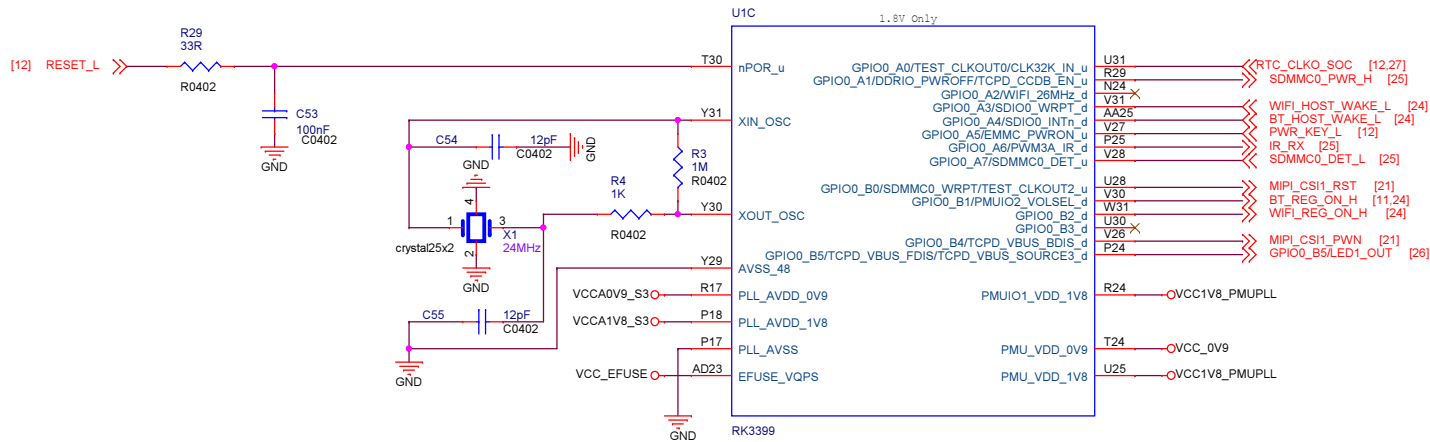
1802 , First Release

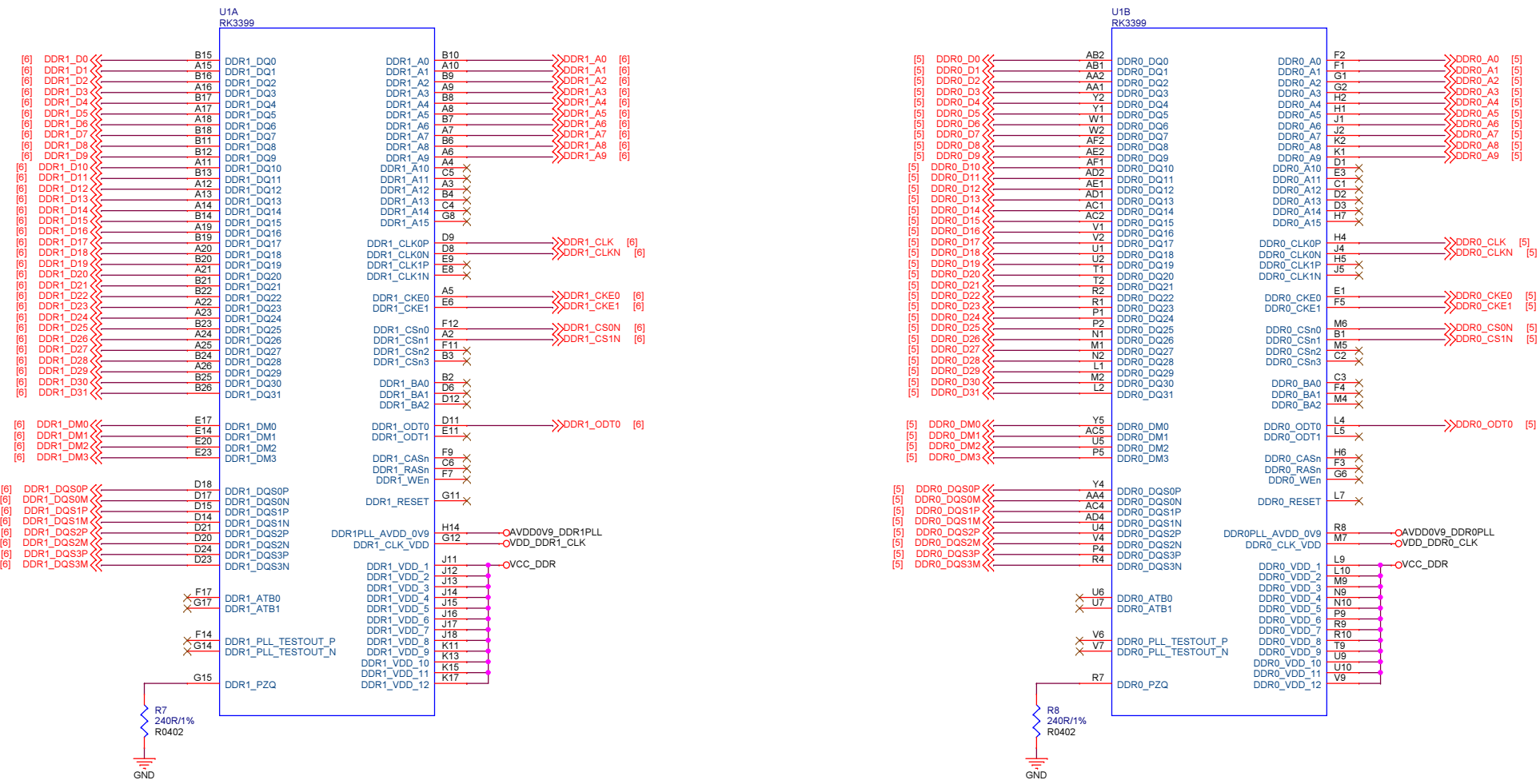
I2C device list :
I2C0 (3V), SYR838PKC, SYR837, RK808-D
I2C1 (1.8V) CSI0, ALC5651
I2C2 (1.8V) CSI1, M.2
I2C3
I2C4 (1.8V), FUSB302MPX, LCD Touch
I2C5
I2C6
I2C7 (1.8V) HDMI
I2C8



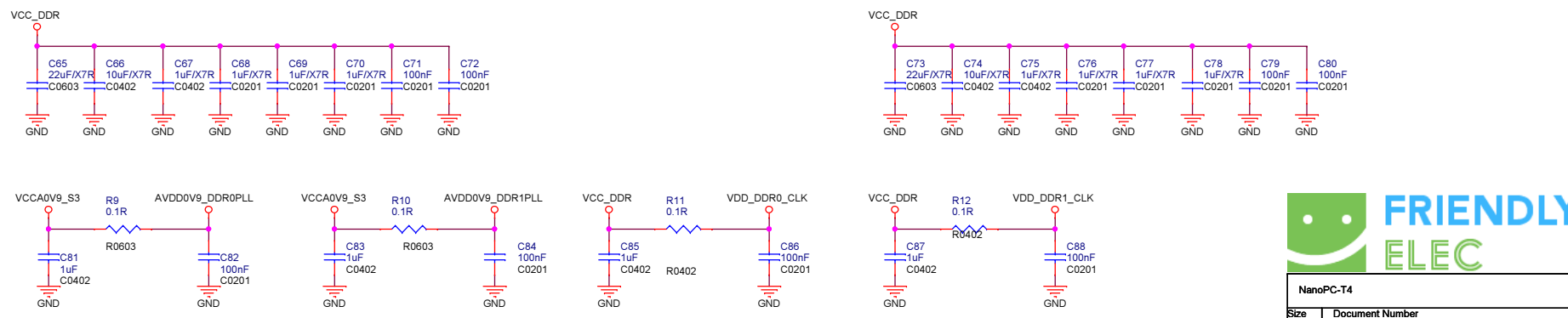
NanoPC-T4		
Size A3	Document Number 01.Title	Rev 1802
Date:	Tuesday, May 22, 2018	Sheet 1 of 28







DDR FILTER

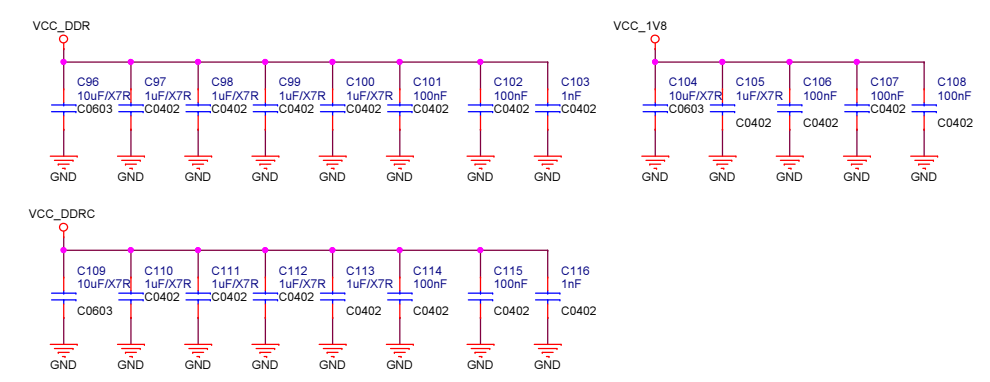
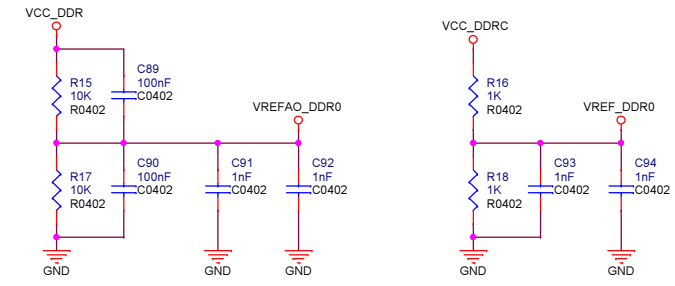
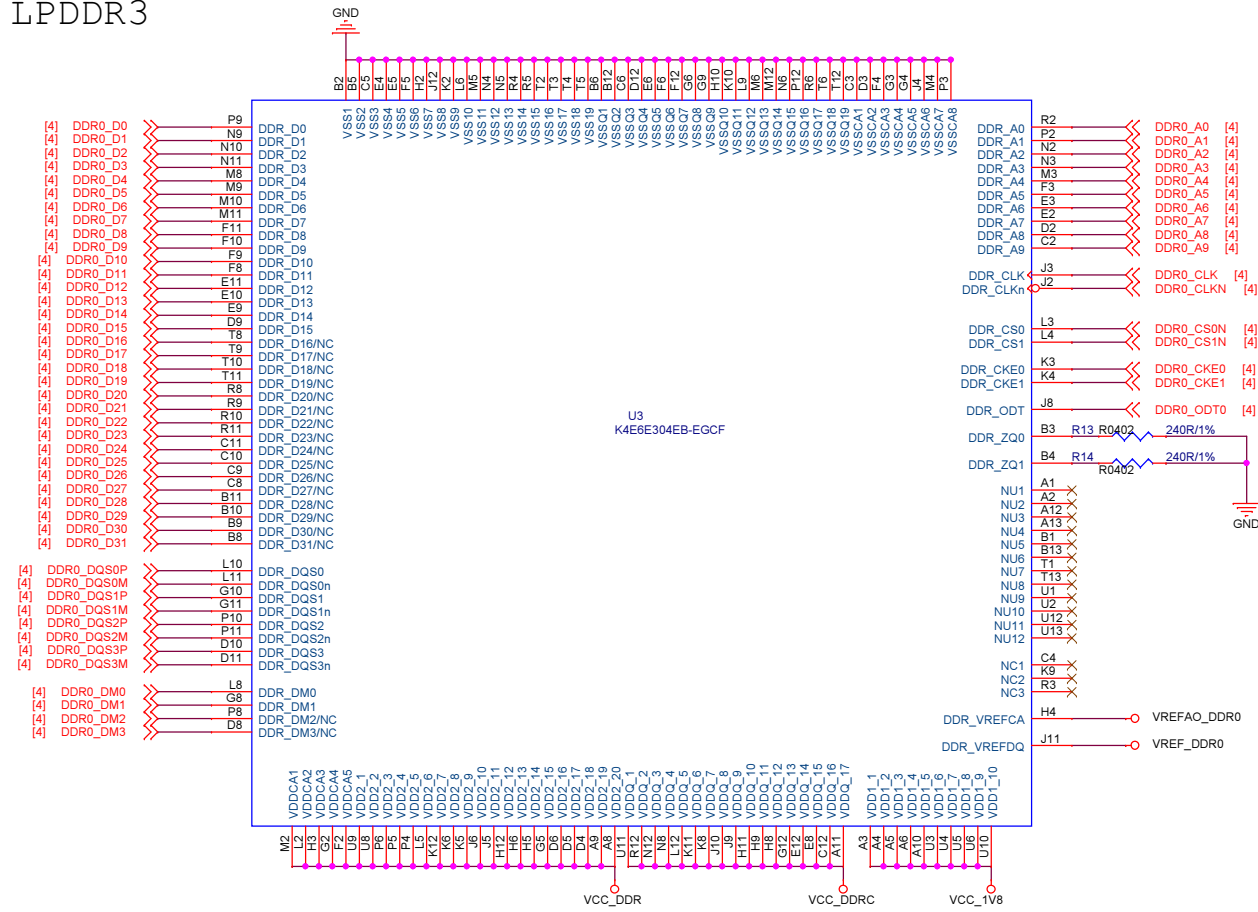


FRIENDLY ELEC

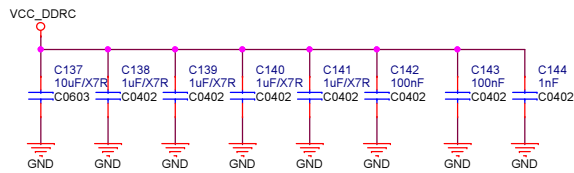
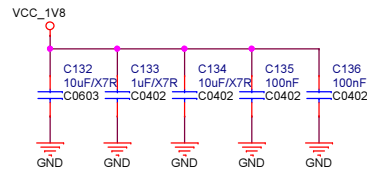
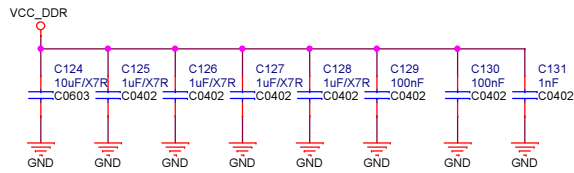
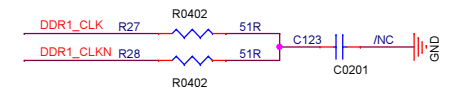
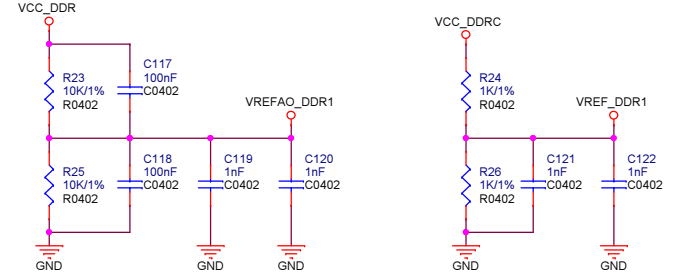
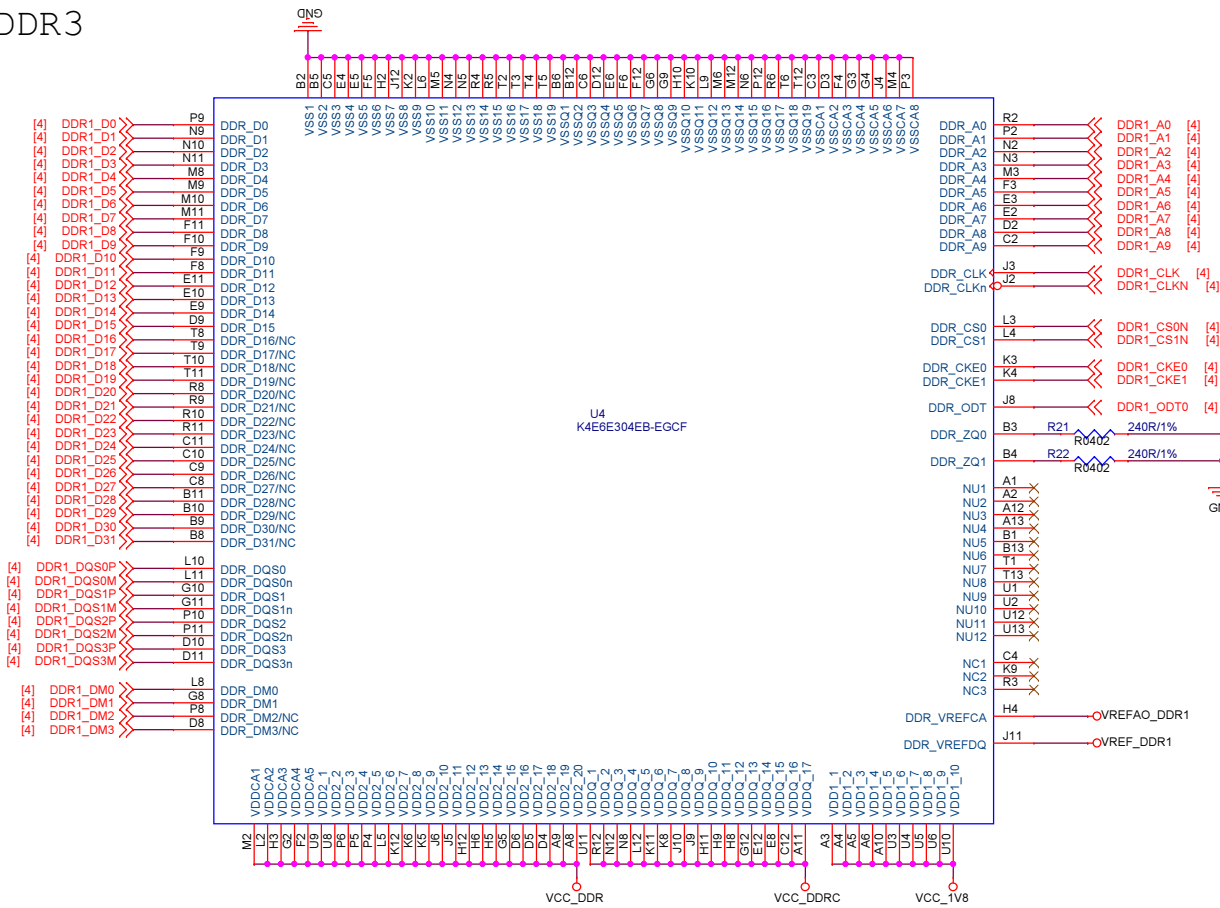
NanoPC-T4

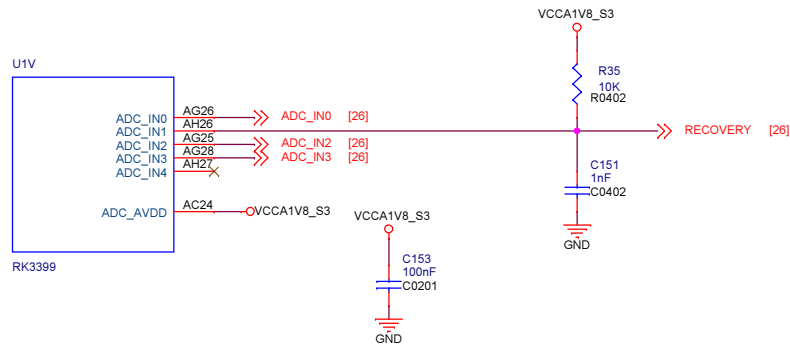
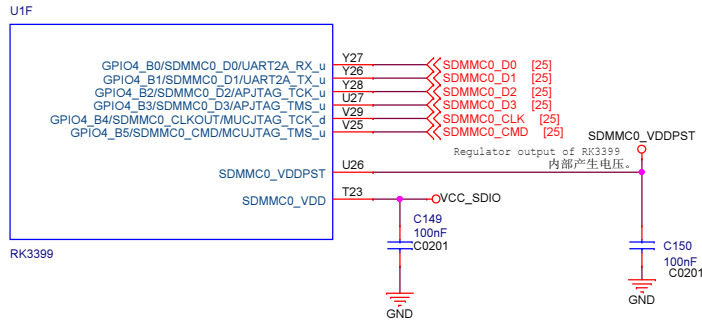
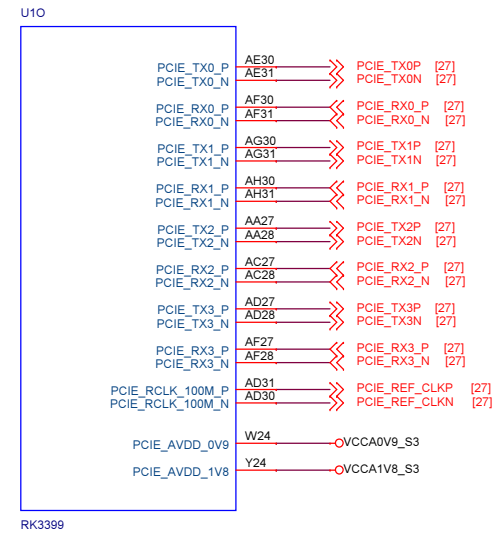
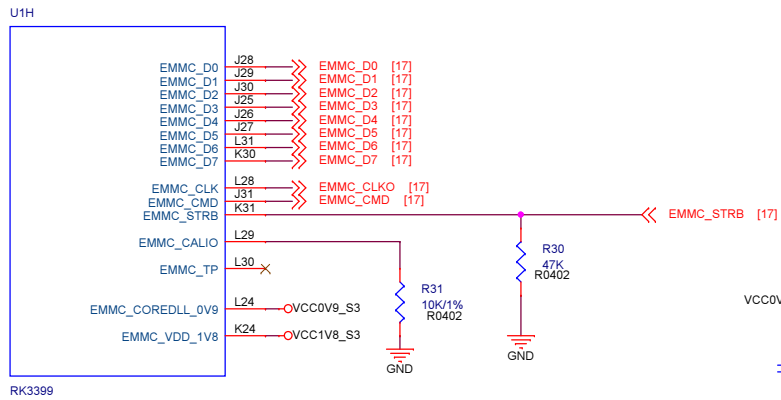
Size A3	Document Number 04.RK3399 DDR Controller	Rev 1802
Date: Tuesday, May 22, 2018	Sheet 4	of 28

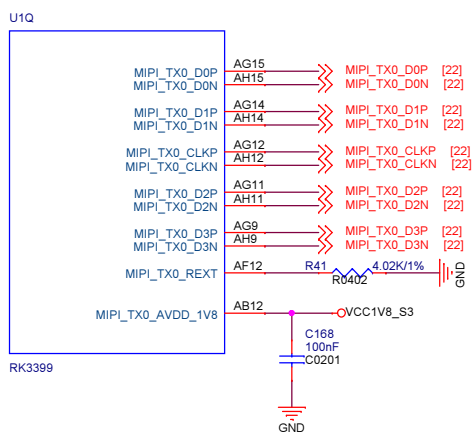
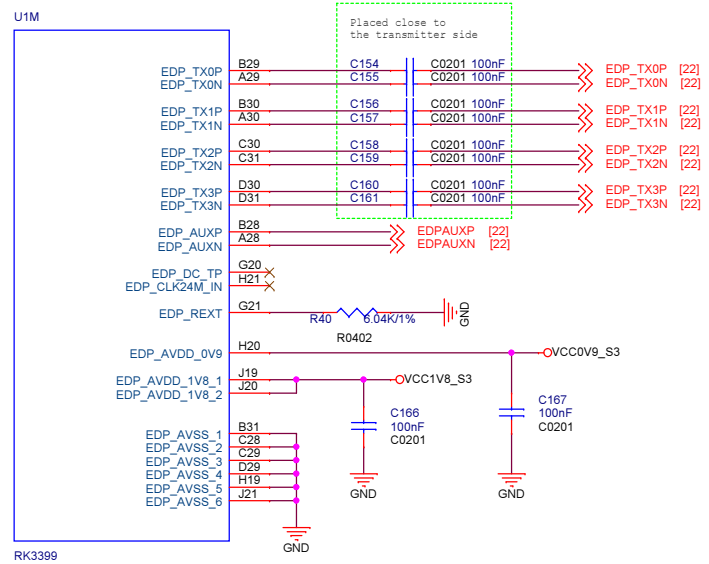
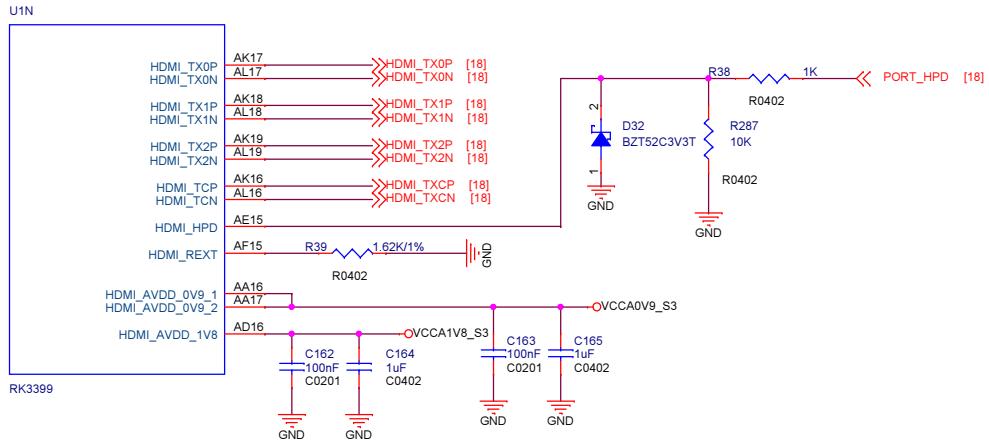
LPDDR3

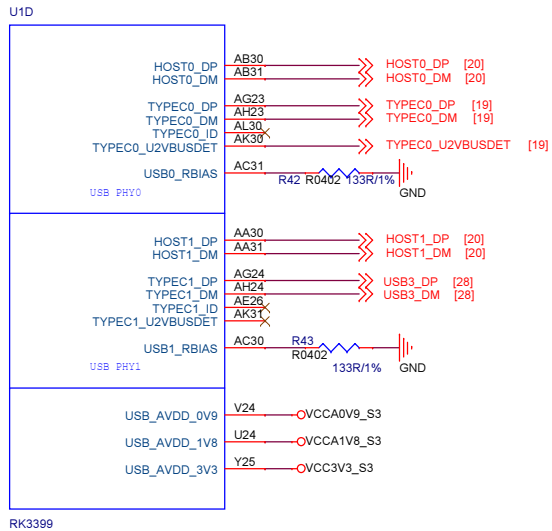


LPDDR3

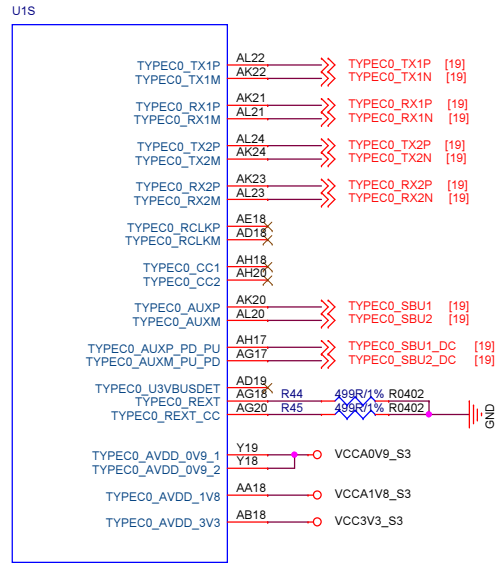
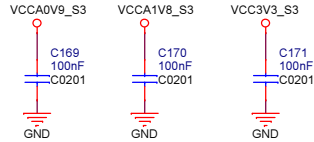




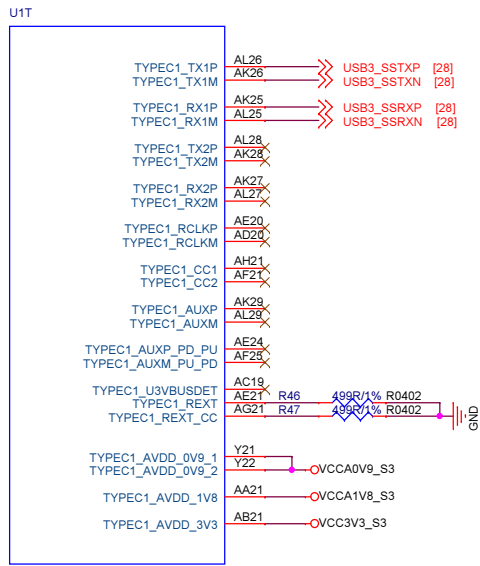
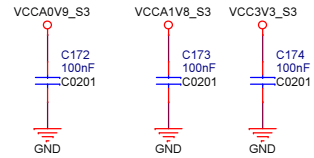




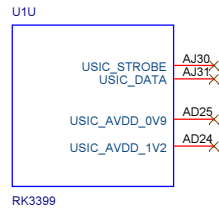
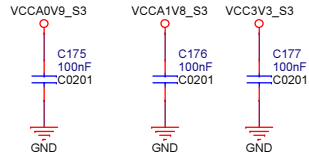
RK3399



RK3399

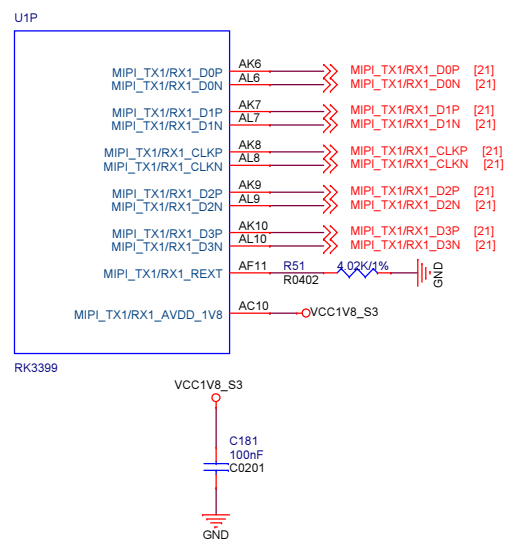
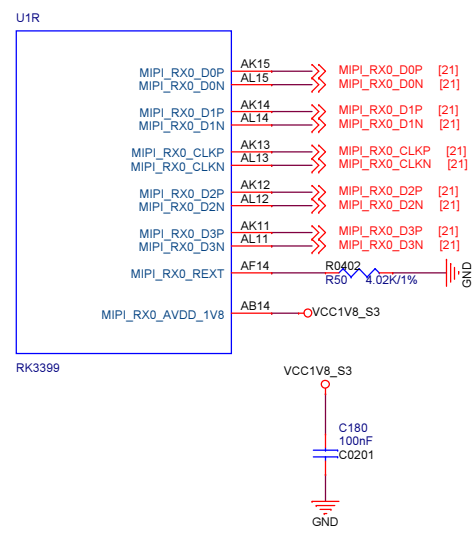
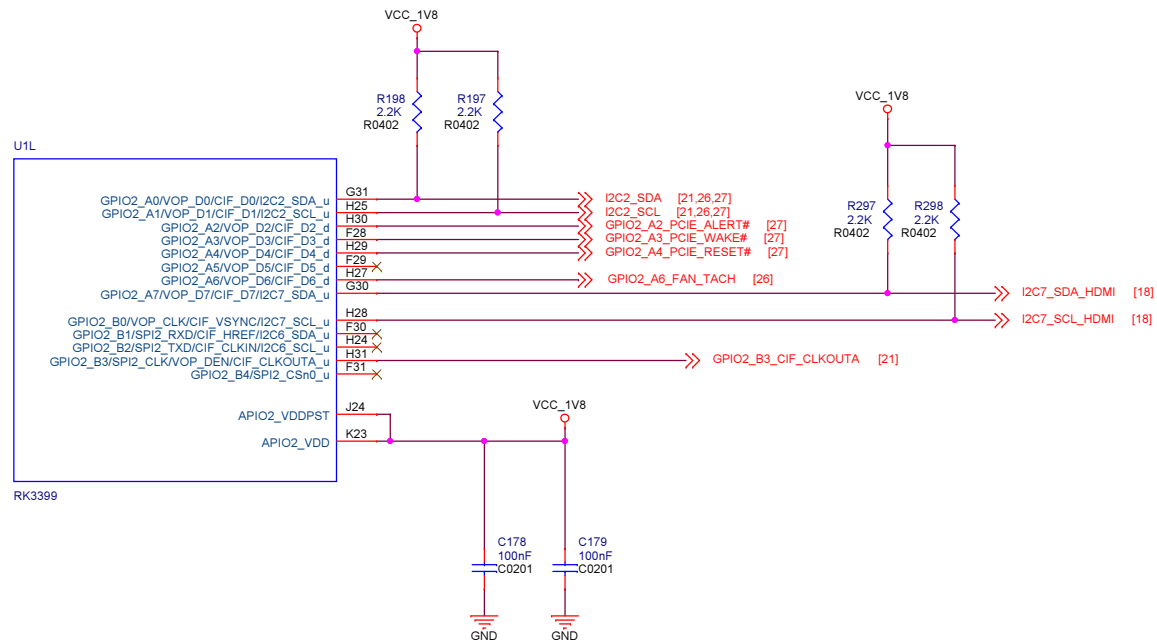


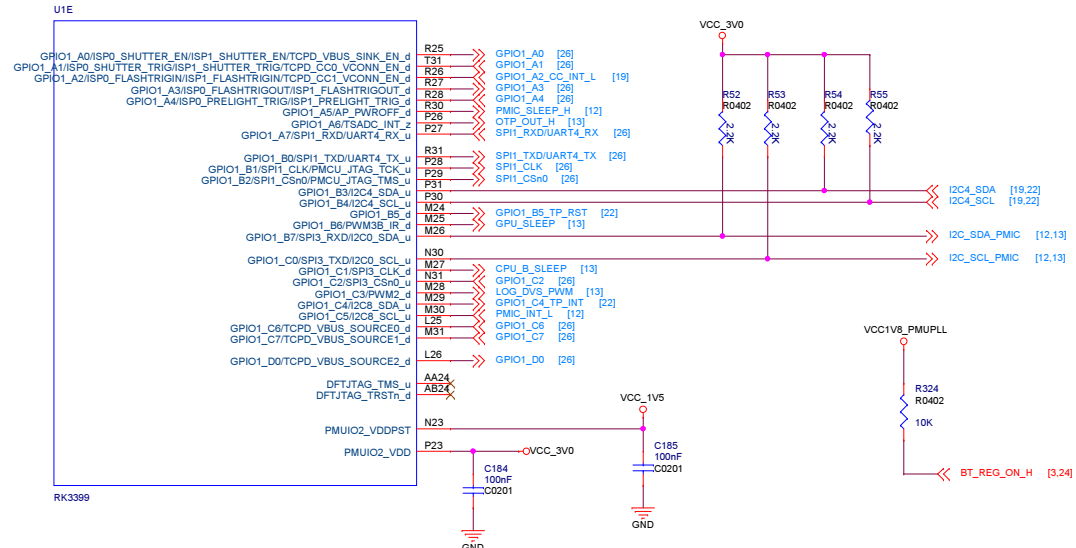
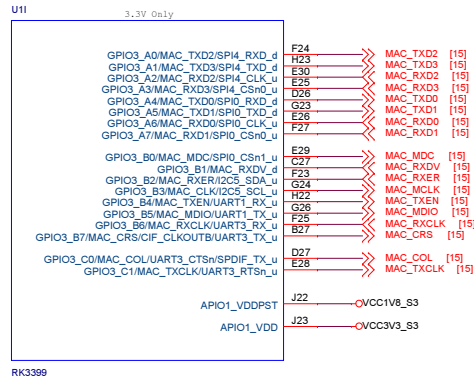
RK3399



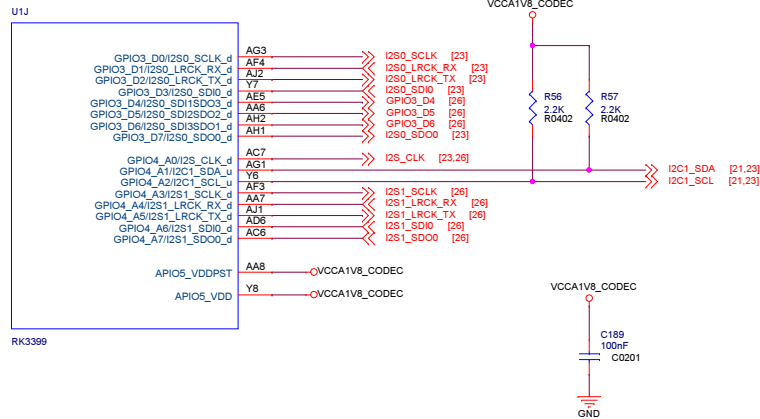
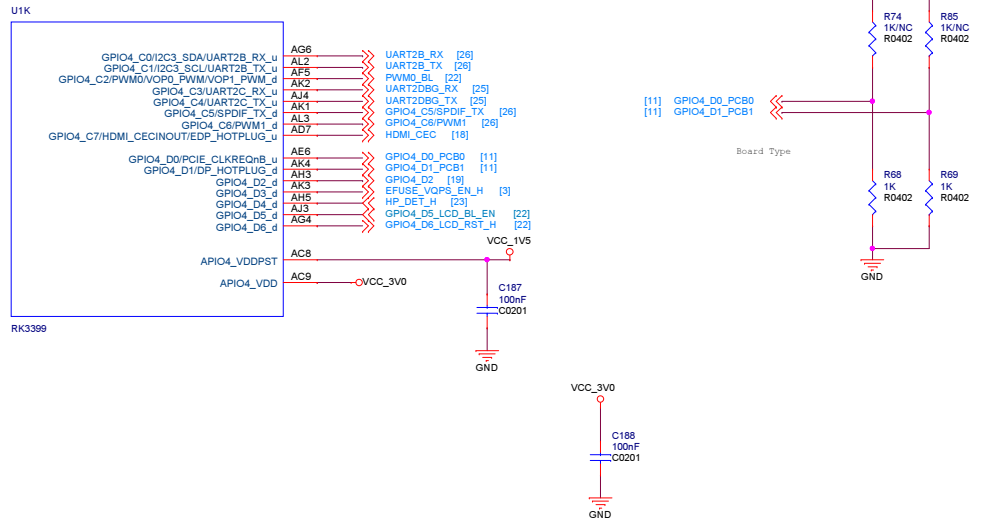
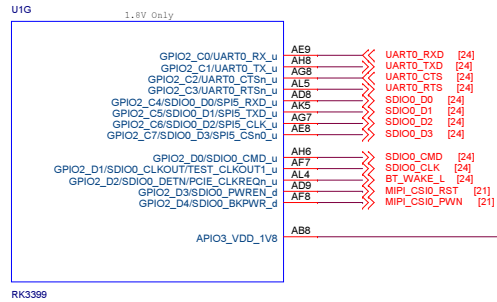
RK3399

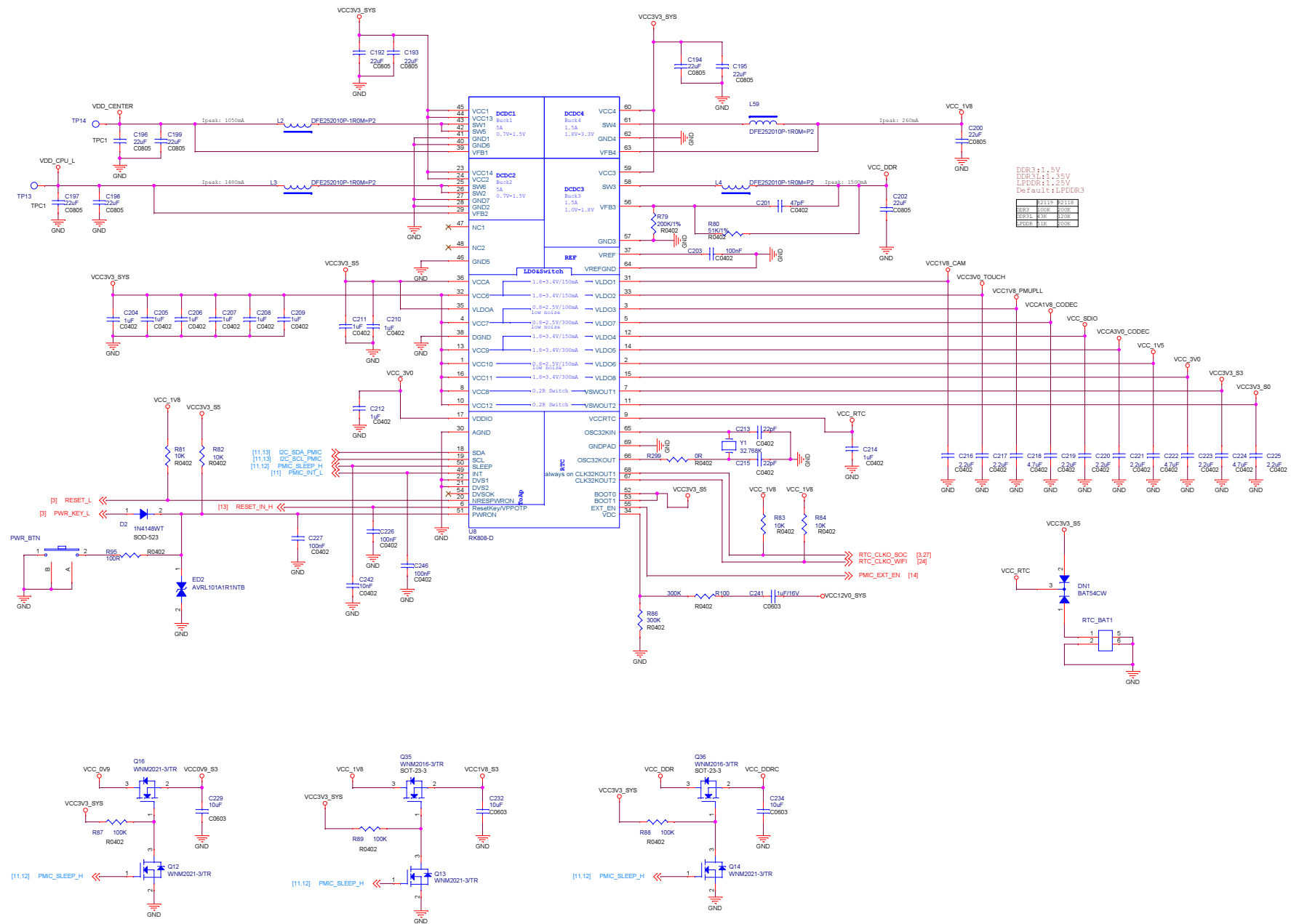






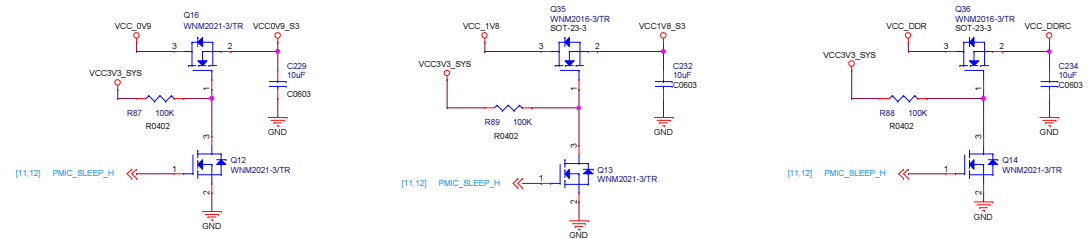
1.8V Only	VDDPST=VDDIO=1.8V
3.3V Only	VDDPST=1.8V, VDDIO=3.3V
other	3.0V mode: VDDPST=1.5V, VDDIO=3.0V 1.8V mode: VDDPST=1.8V, VDDIO=1.8V

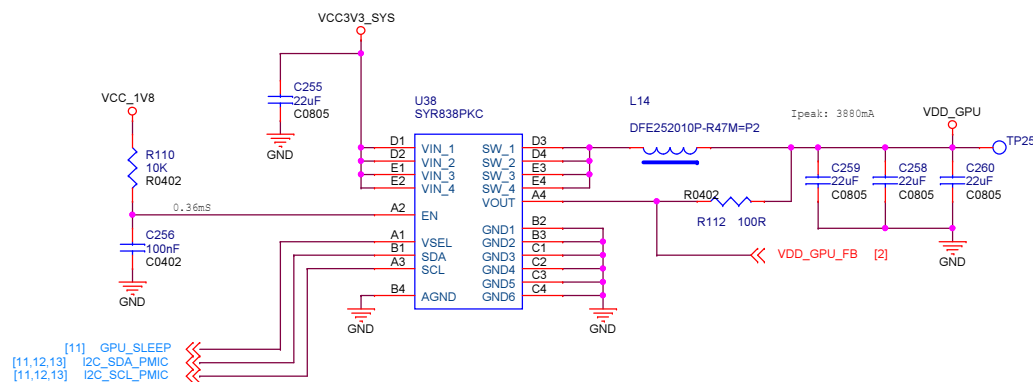




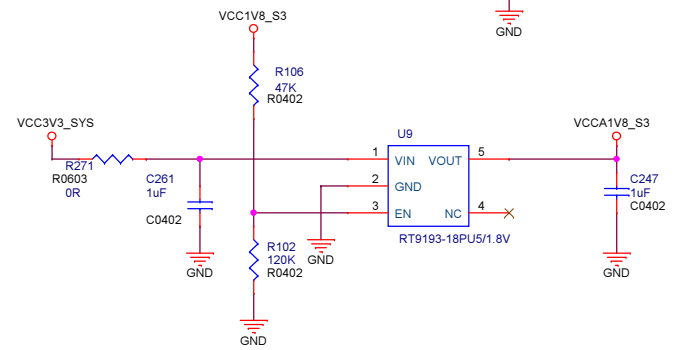
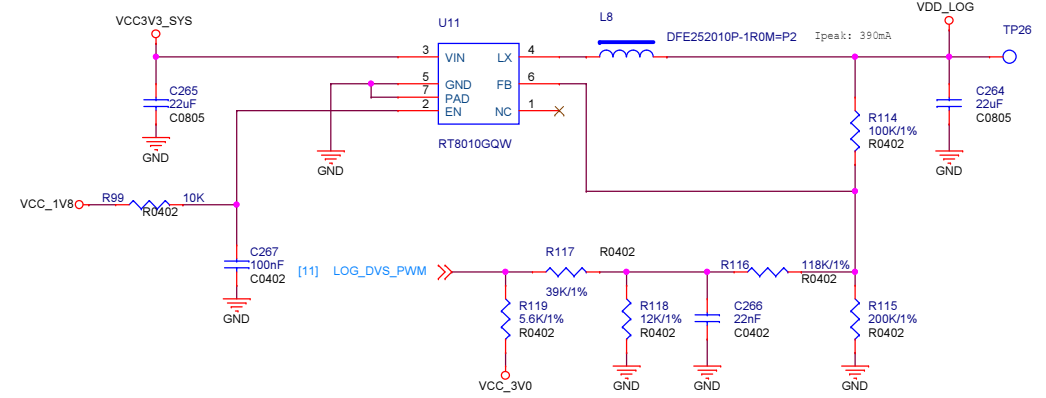
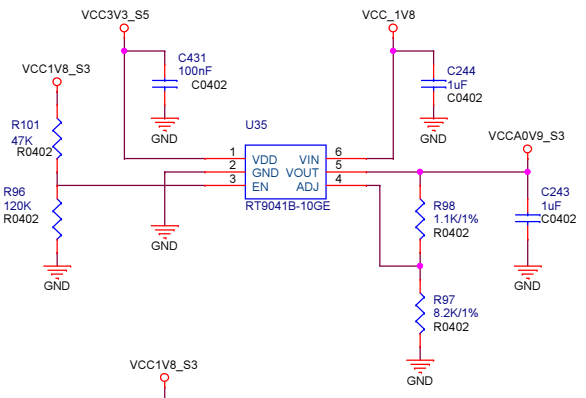
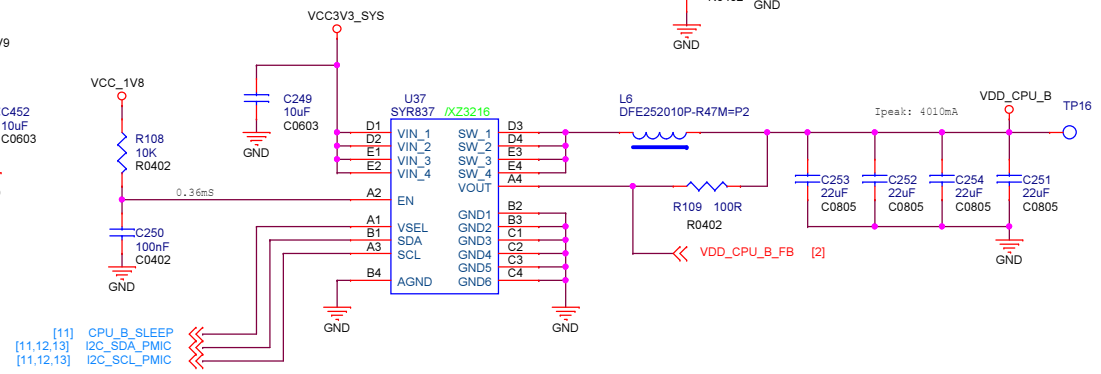
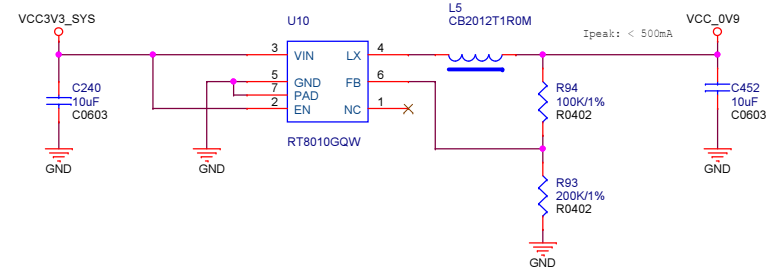
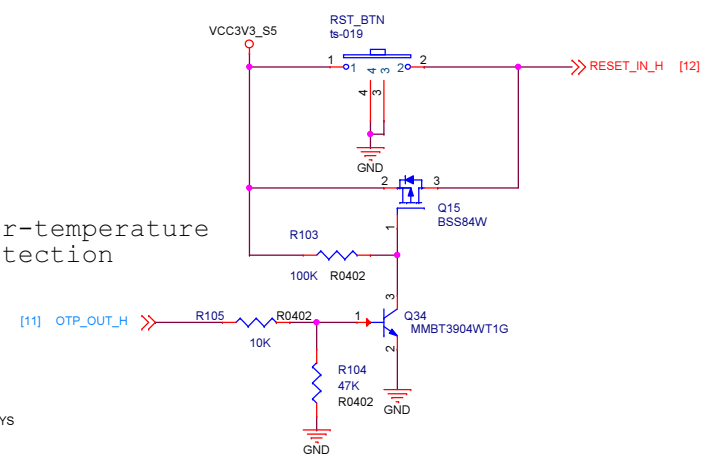
DDR3:1.5V
 DDR3L:1.35V
 LPDDR:1.25V
 Def:Fail1:LPDDR3

ESD1	ESD2
ESD1	ESD2
ESD1	ESD2
ESD1	ESD2

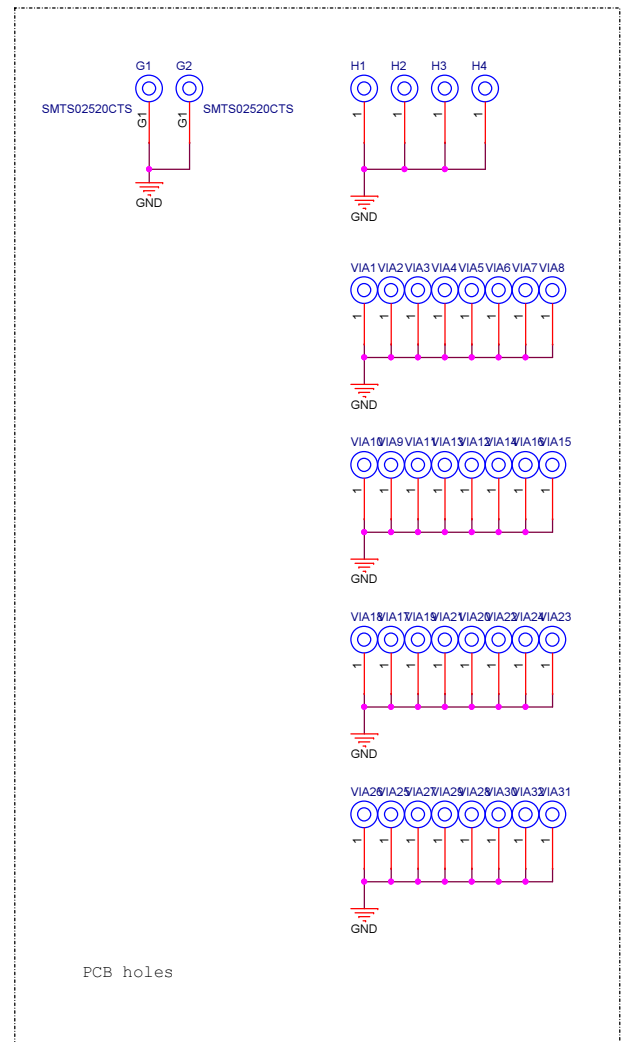
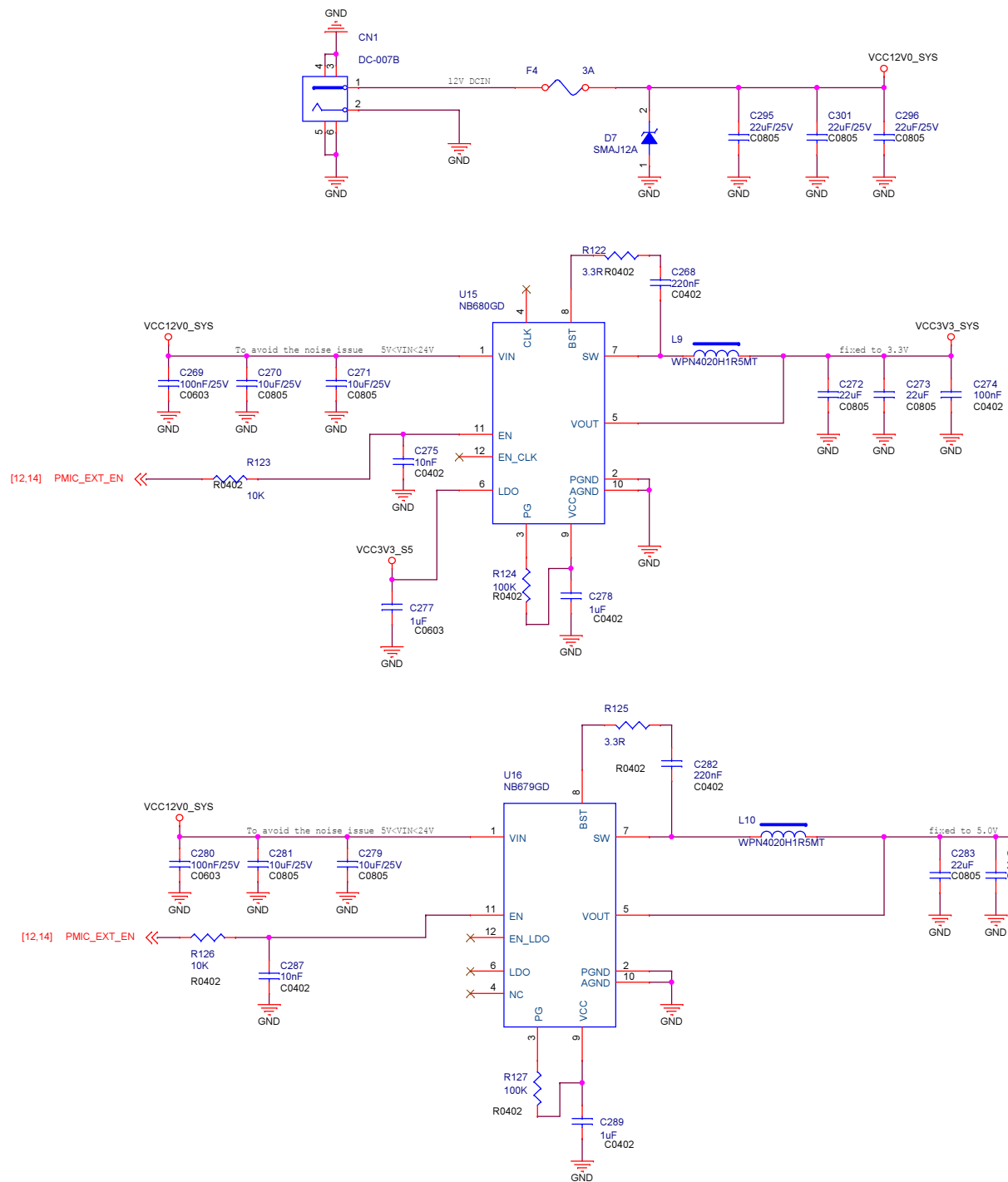




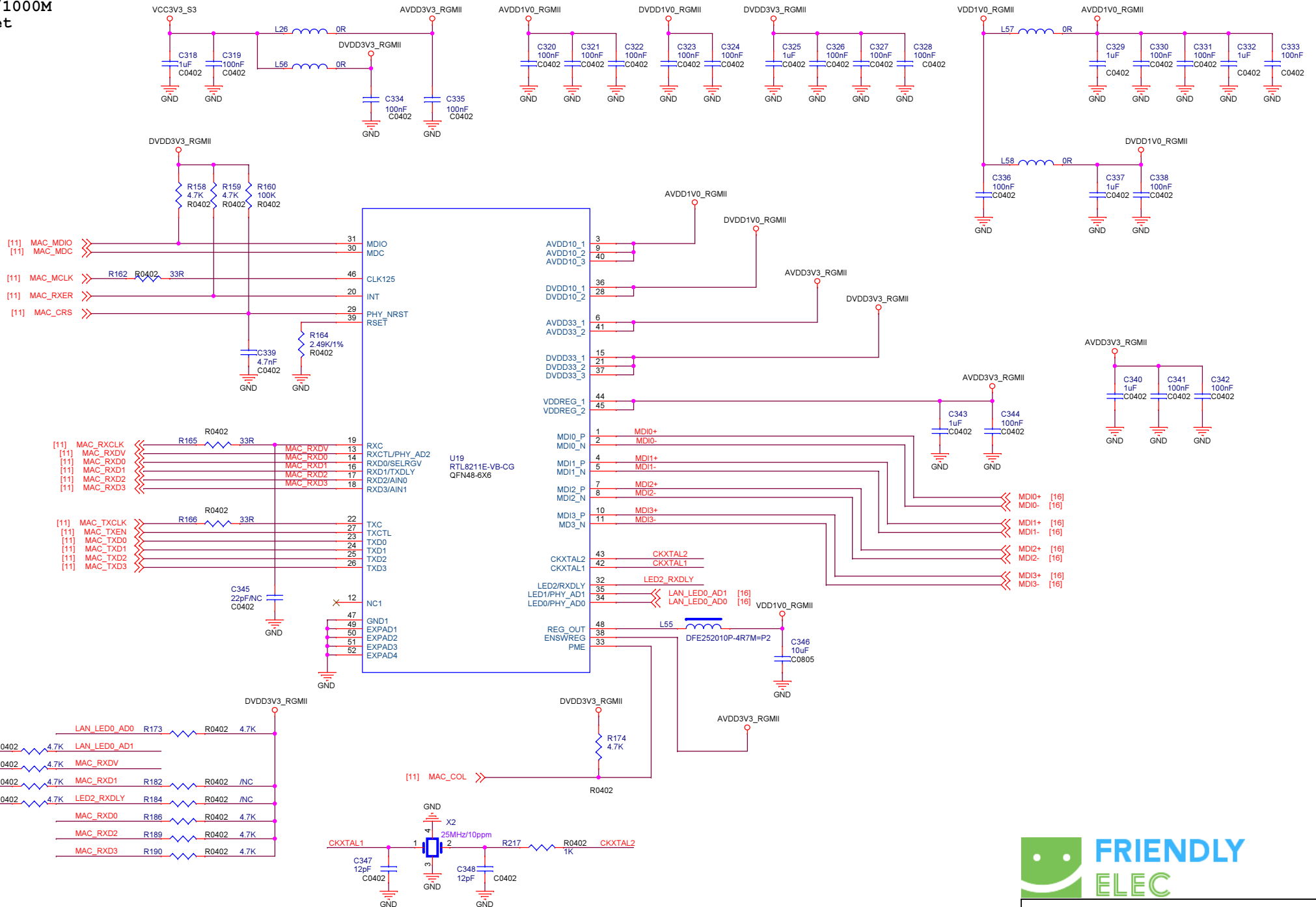
Over-temperature Protection

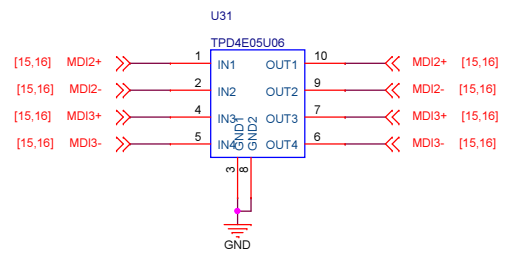
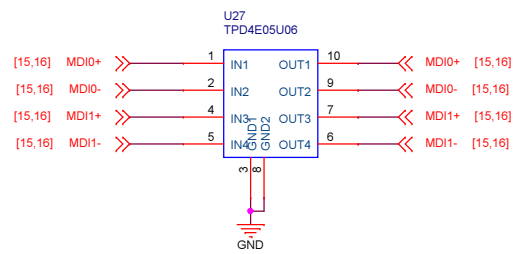
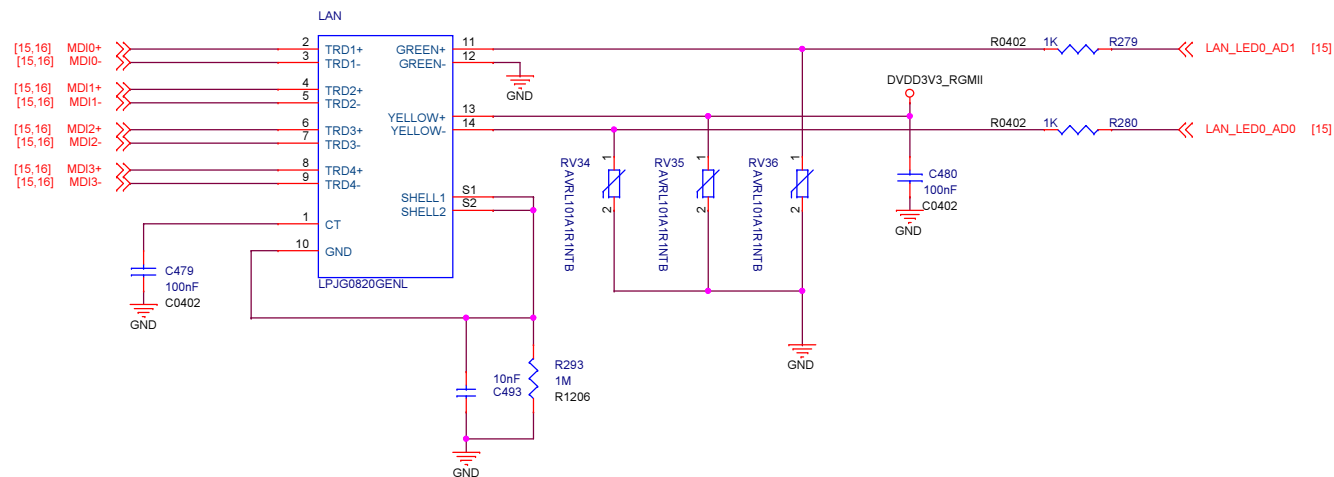


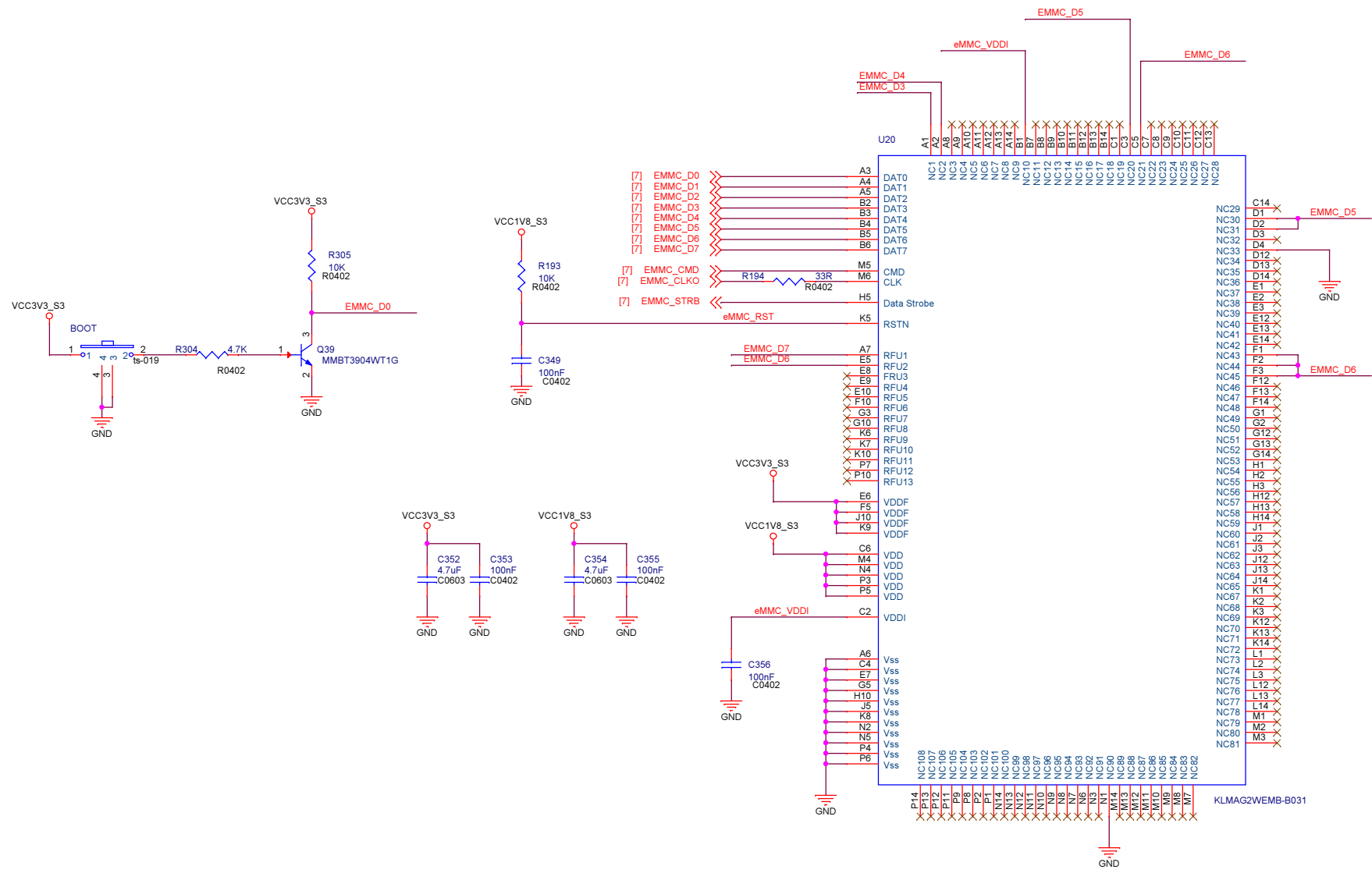
NanoPC-T4		
Size A3	Document Number 13.Power2-CPU/GPU/etc	Rev 1802
Date: Tuesday, May 22, 2018	Sheet 13 of 28	



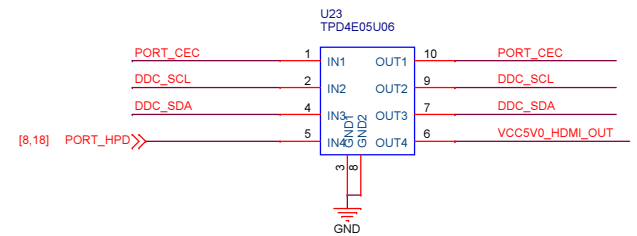
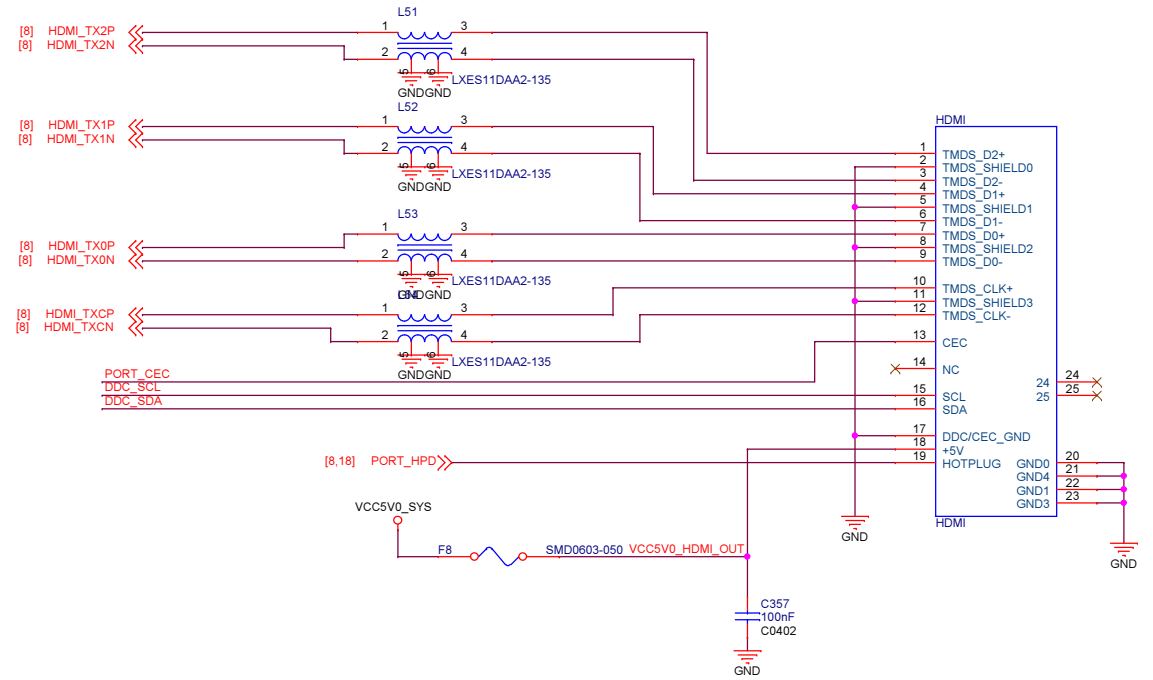
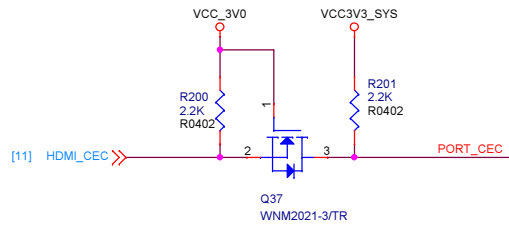
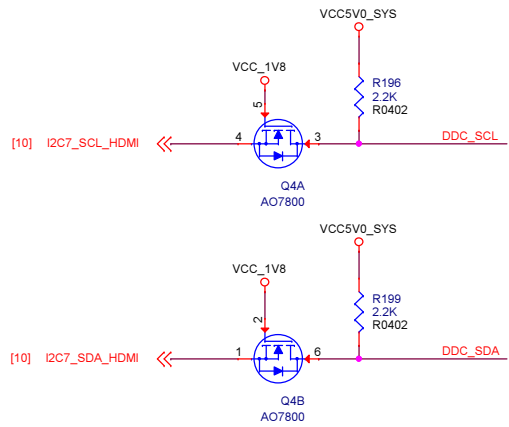
10/100/1000M Ethernet



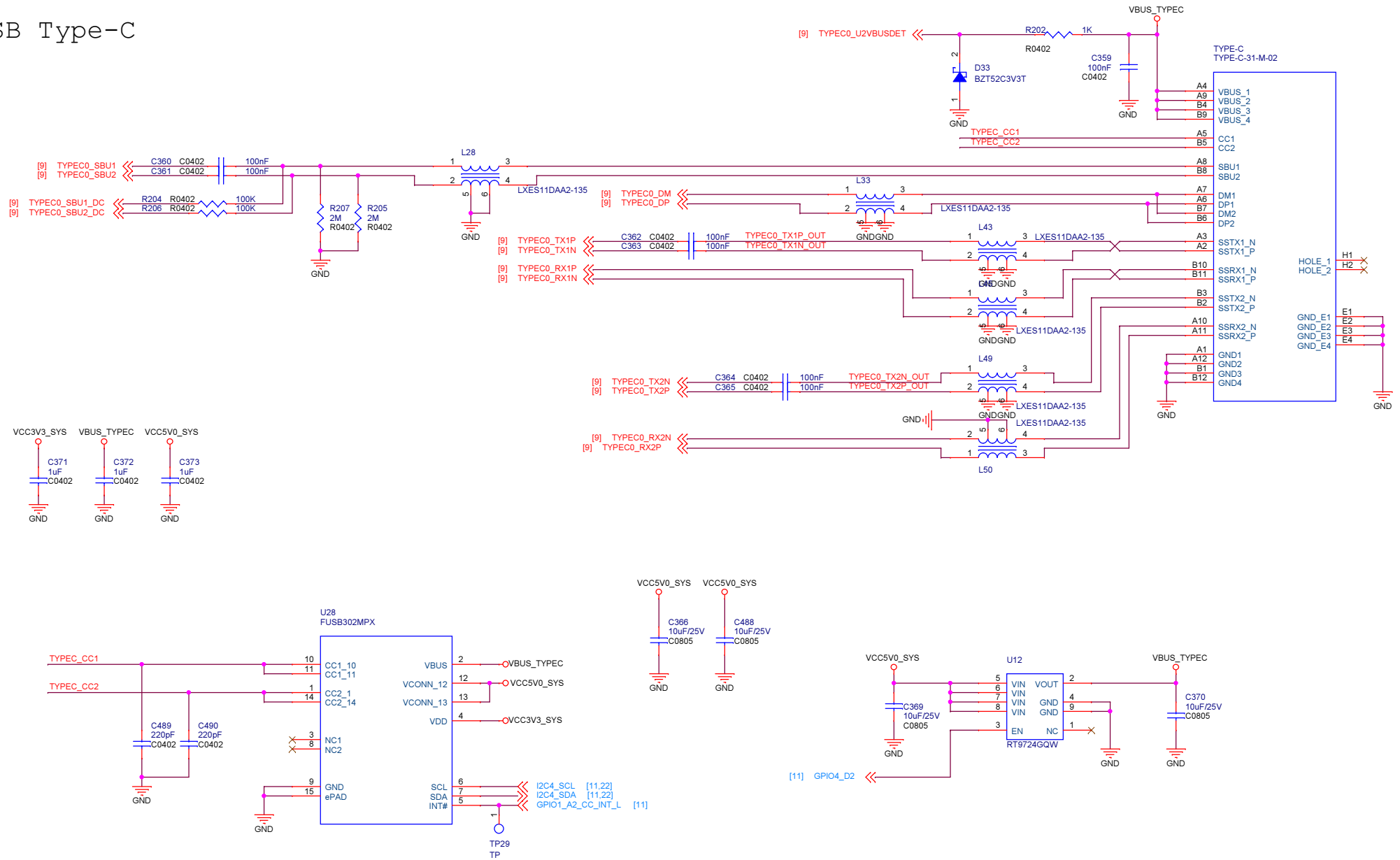




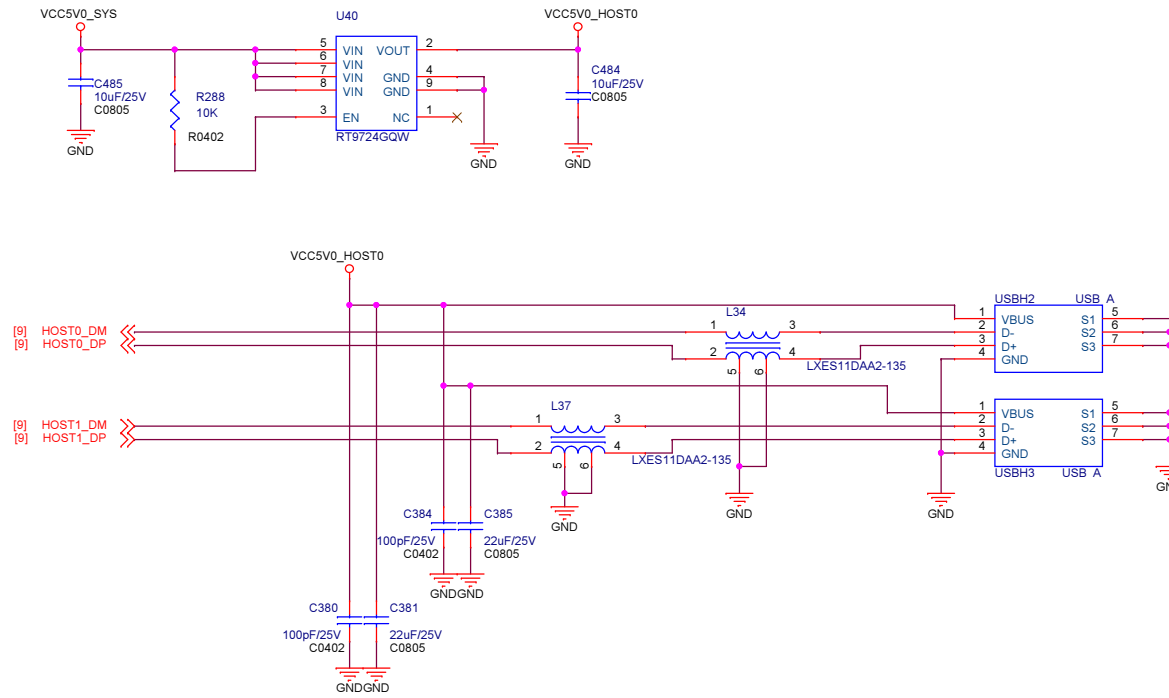
HDMI Port



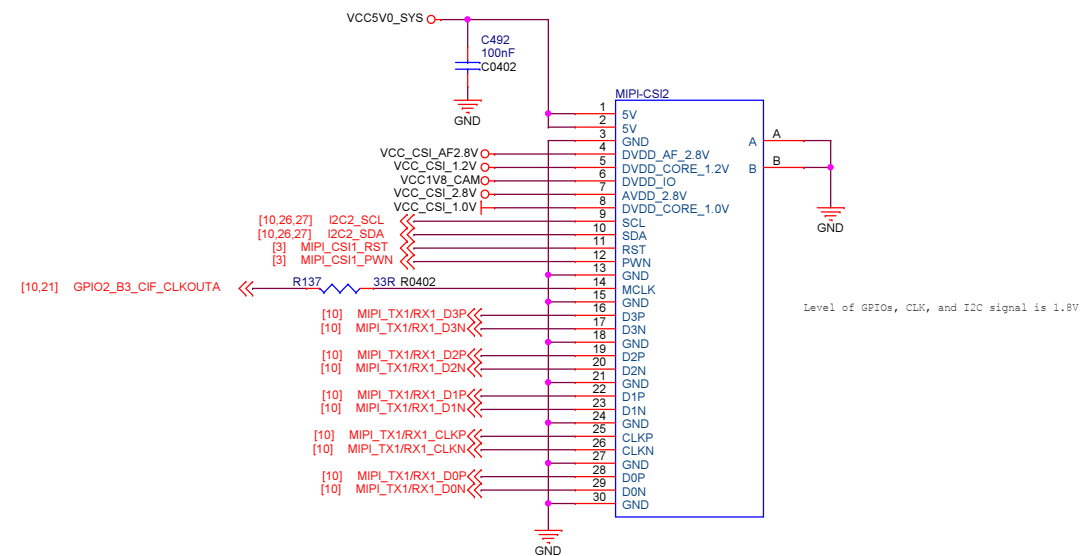
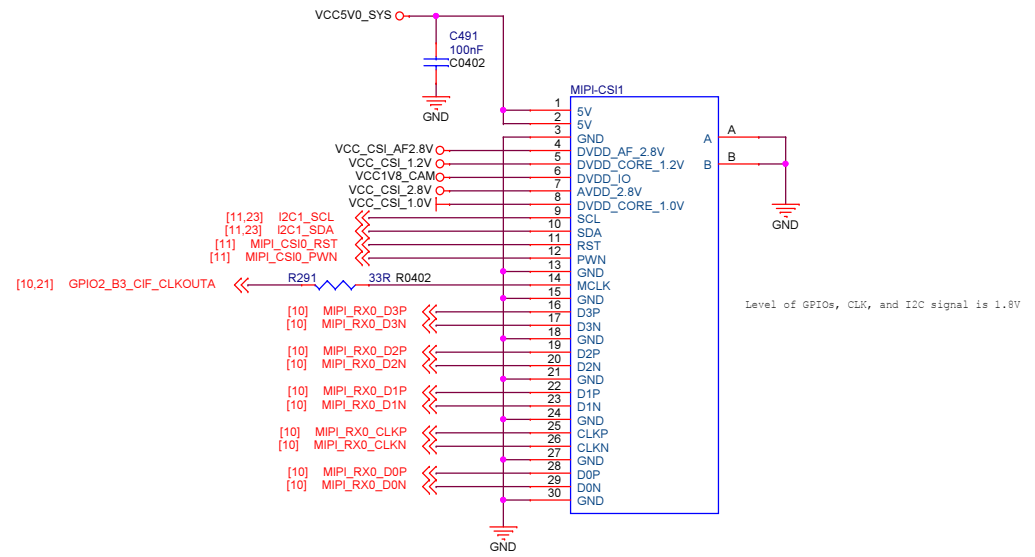
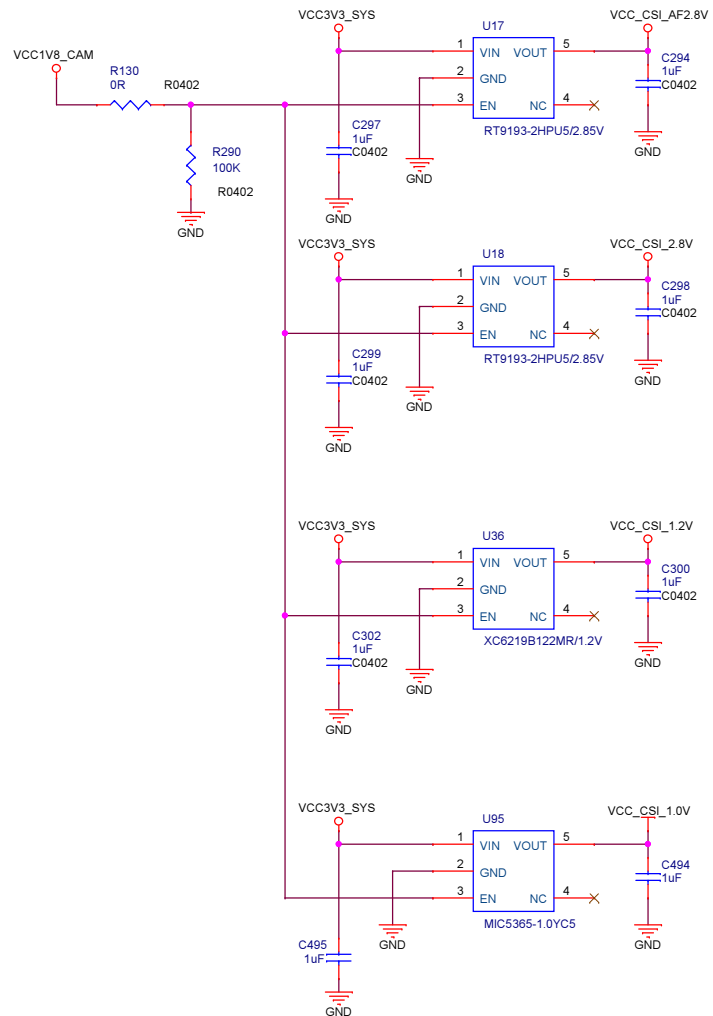
USB Type-C

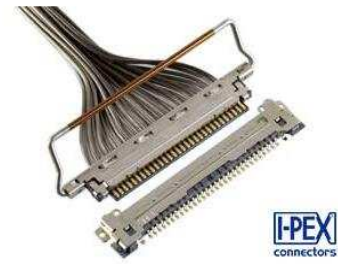
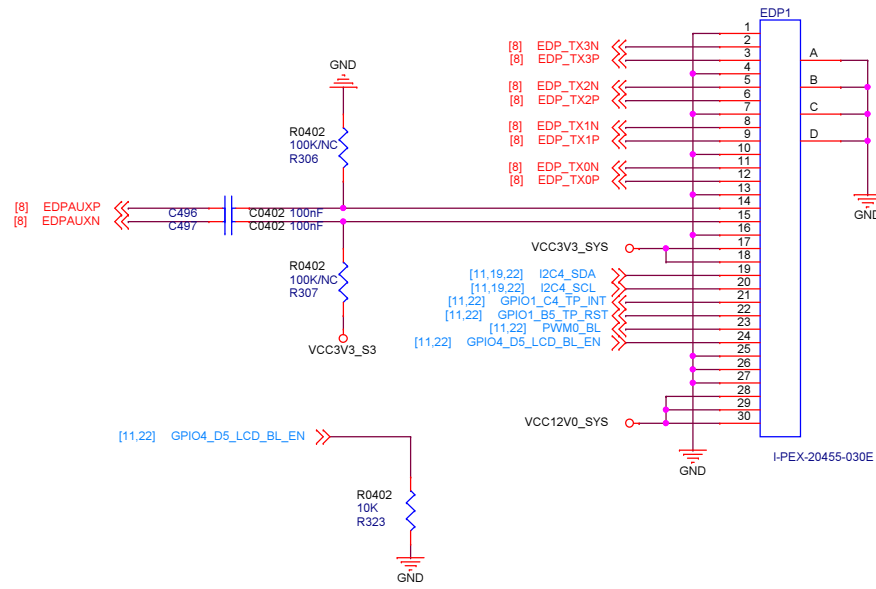
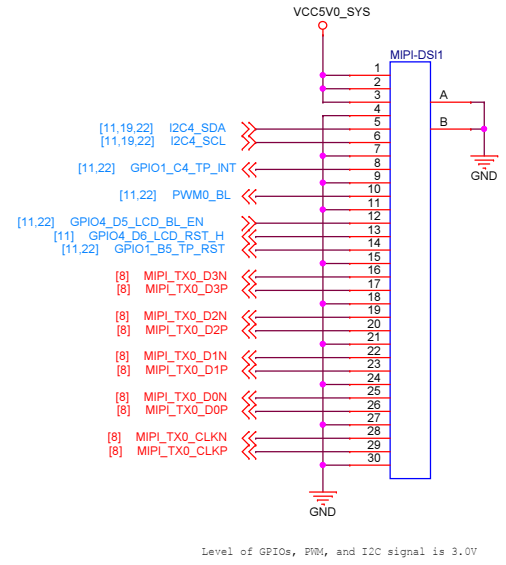


USB2.0 Host



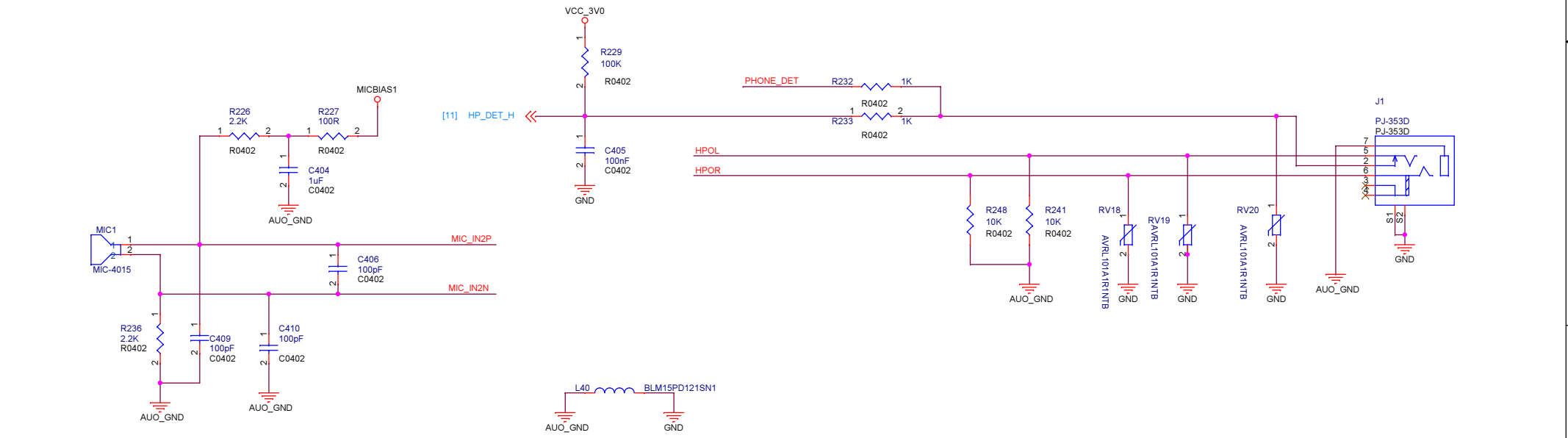
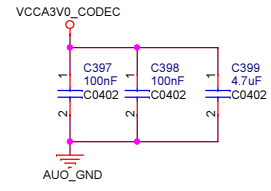
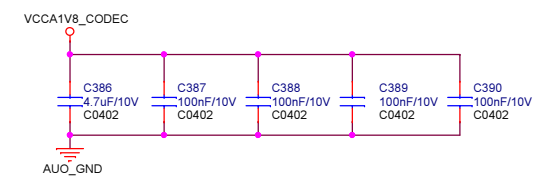
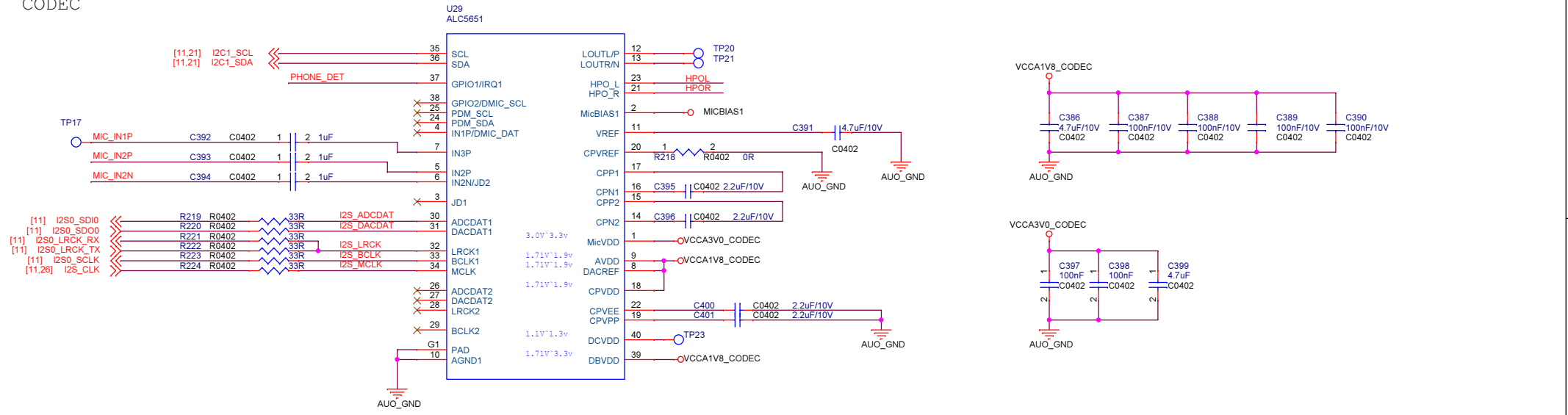
MIPI-CSI





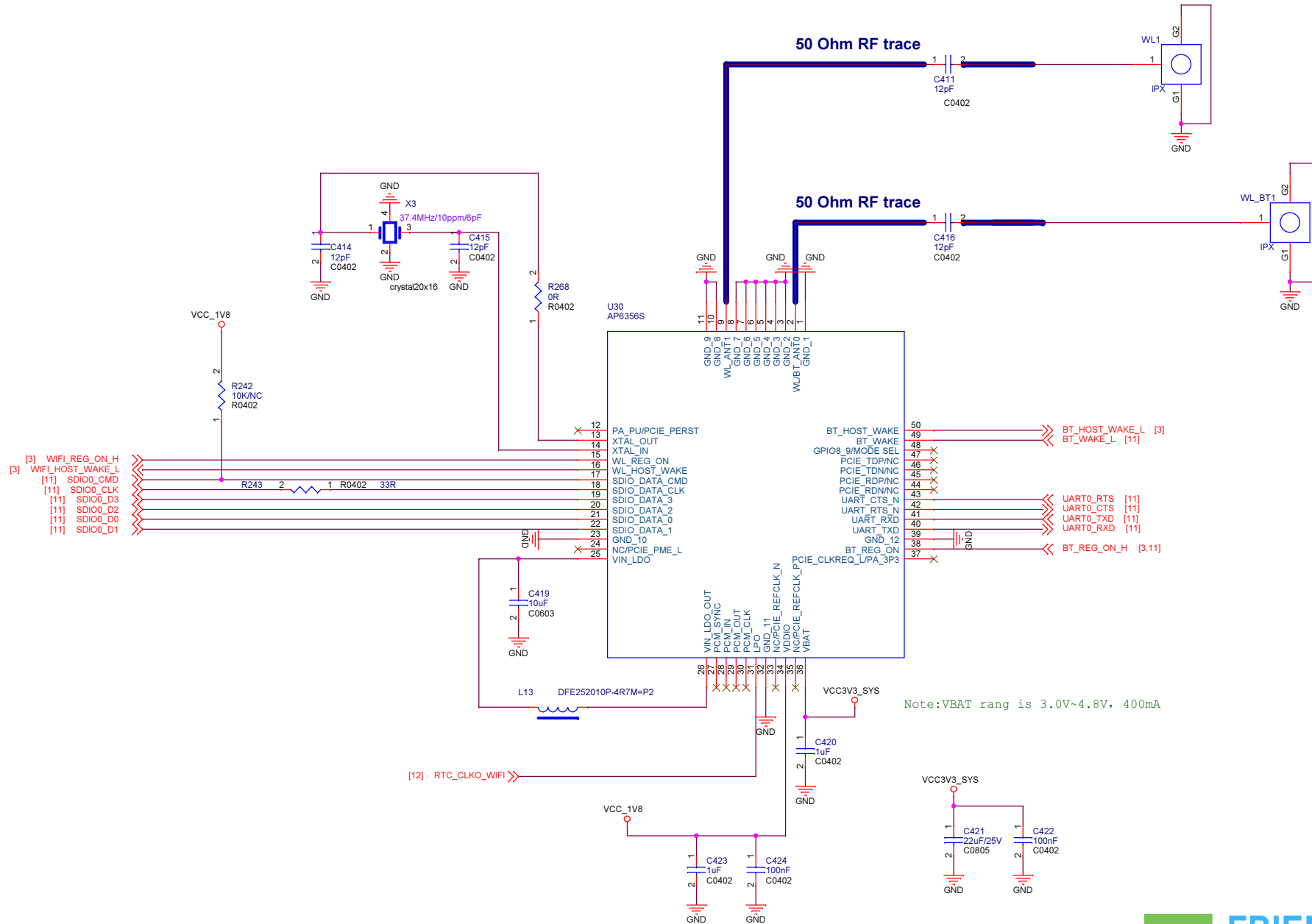
NanoPC-T4		
Size A3	Document Number 22.eDP/MIPI-DS1	Rev 1802
Date:	Tuesday, May 22, 2018	Sheet 22 of 28

CODEC

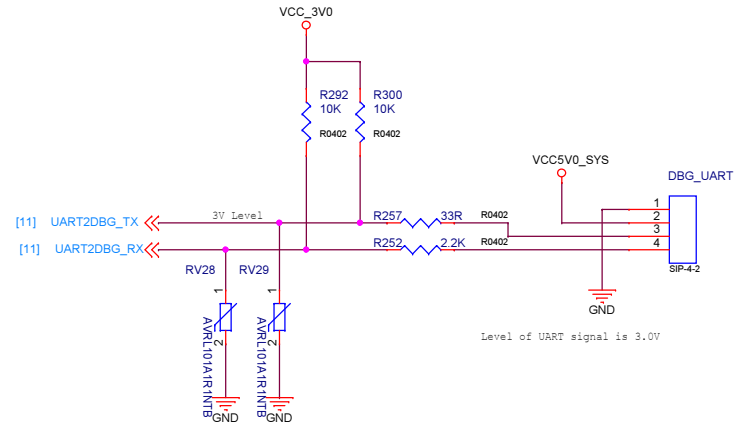
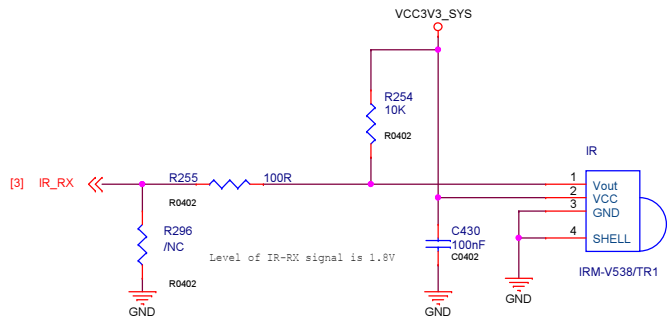
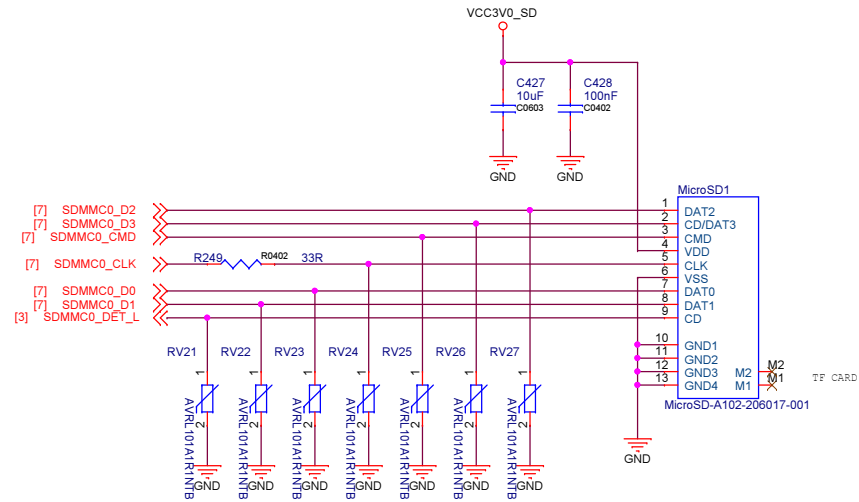
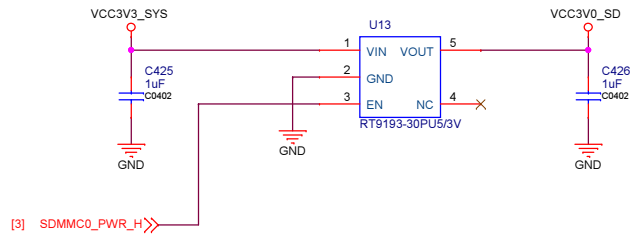


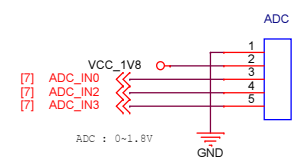
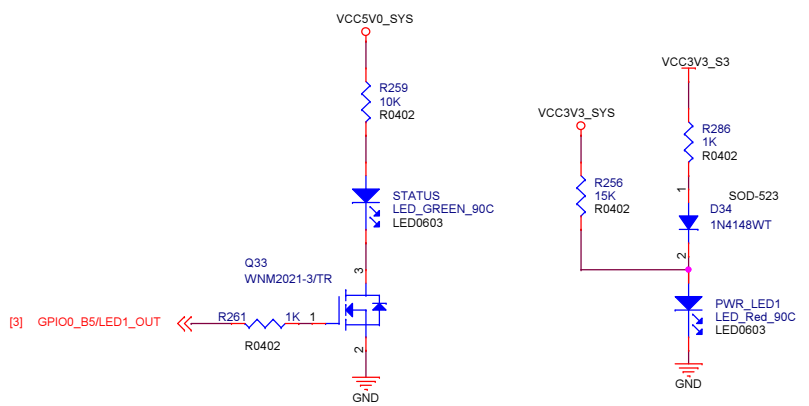
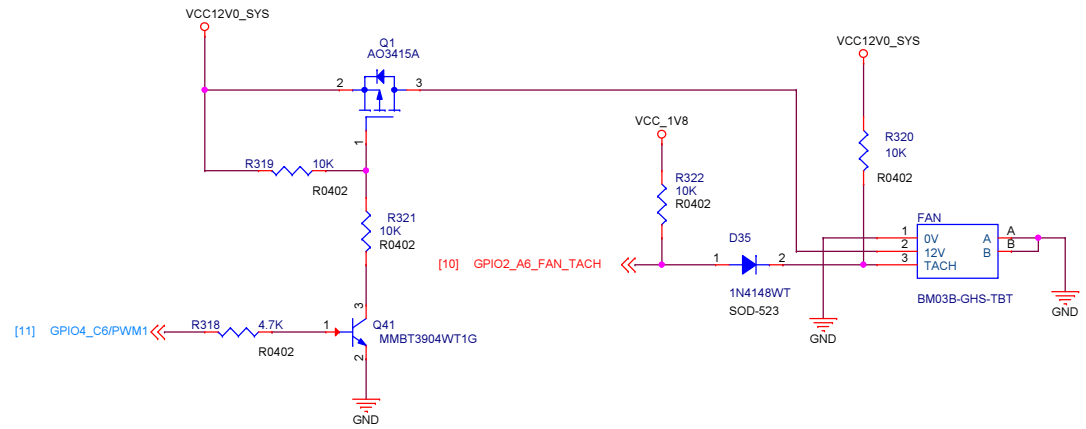
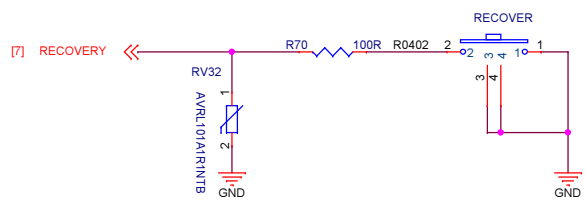
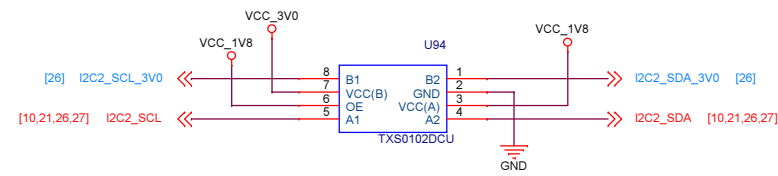
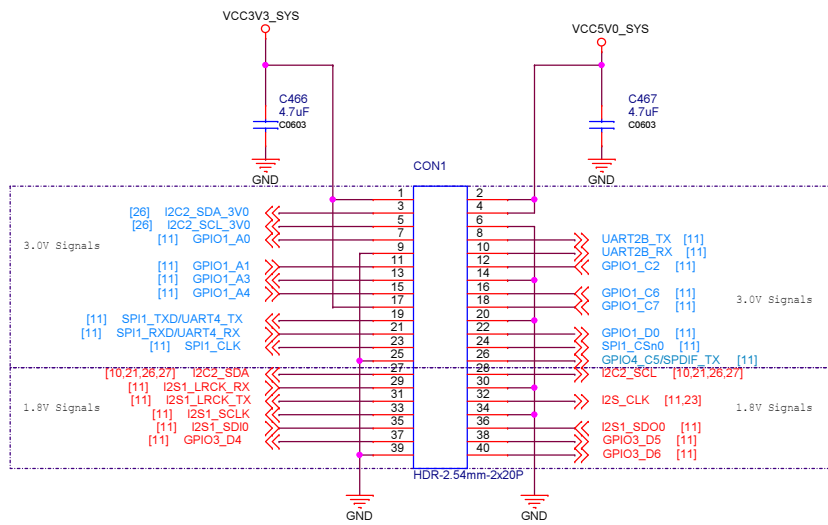
NanoPC-T4		
Size A3	Document Number 23.Audio	Rev 1802
Date: Tuesday, May 22, 2018	Sheet 23	of 28

WIFI/WIFI ac/BT MODULE

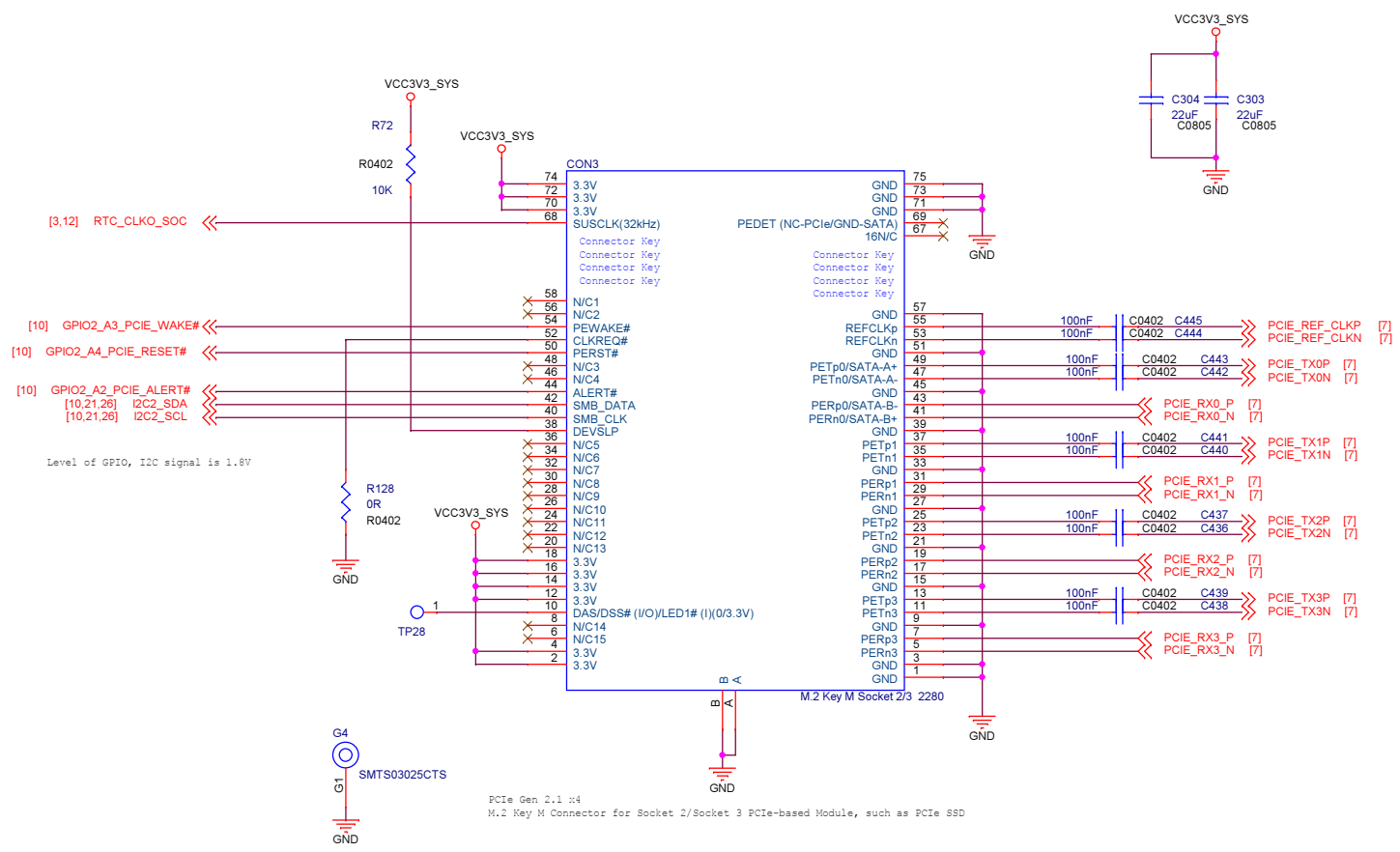


NanoPC-T4		
Size A3	Document Number 24.2.4G&5G WL-FIBT	Rev 1802
Date: Tuesday, May 22, 2018	Sheet 24 of 28	





NanoPC-T4		
Size A3	Document Number 26.GPIO/FAN/LED/ADC	Rev 1802
Date: Tuesday, May 22, 2018	Sheet 26	of 28



USB3.0 Host

