

# NanoPi 1507

5

4

3

2

1

D

D

C

C

B

B

A

A

Title	
2451	
Size	Document Number
A3	<Doc>
Date:	Monday, July 13, 2015
Sheet	1 of 11
Rev	

5

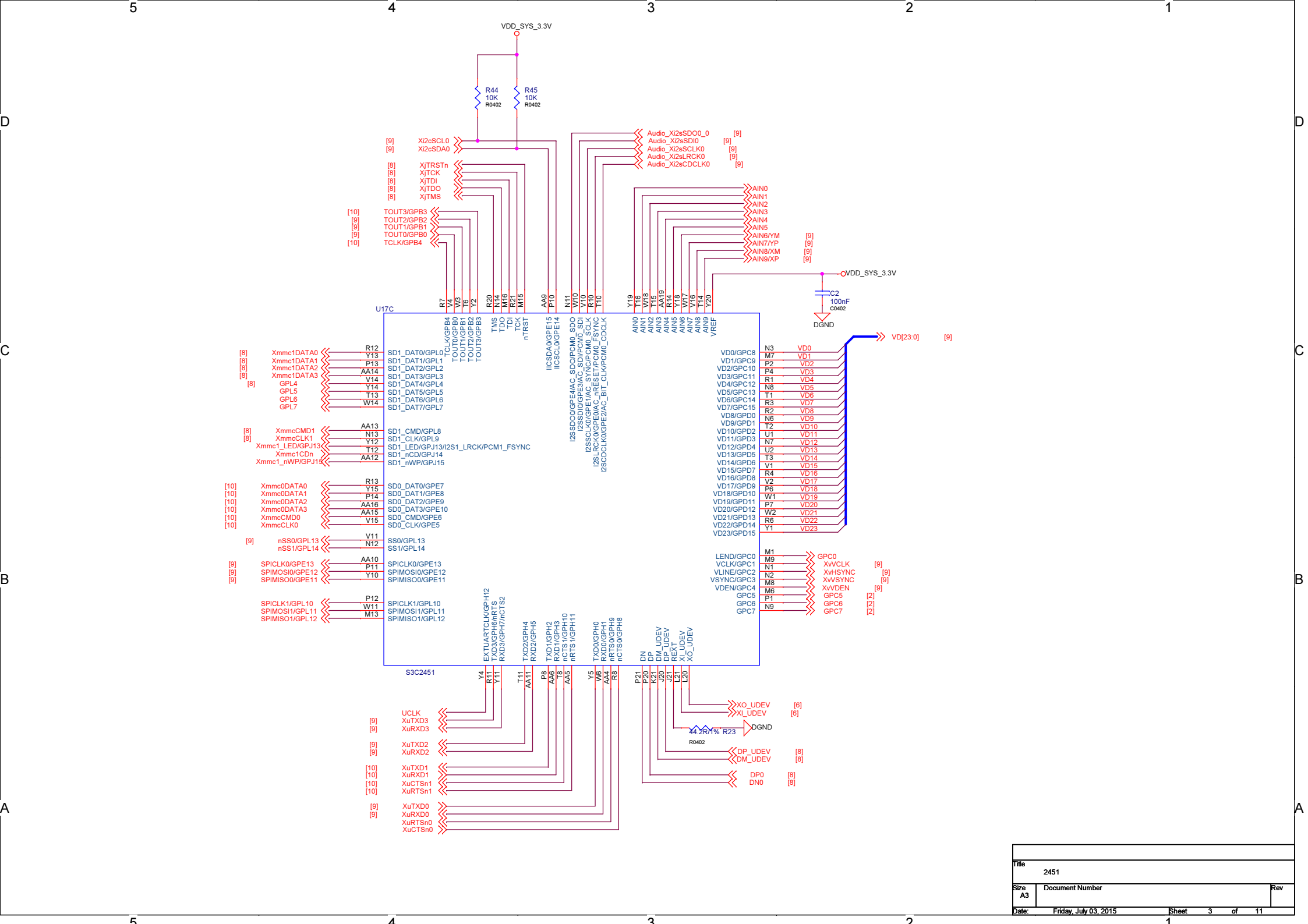
4

3

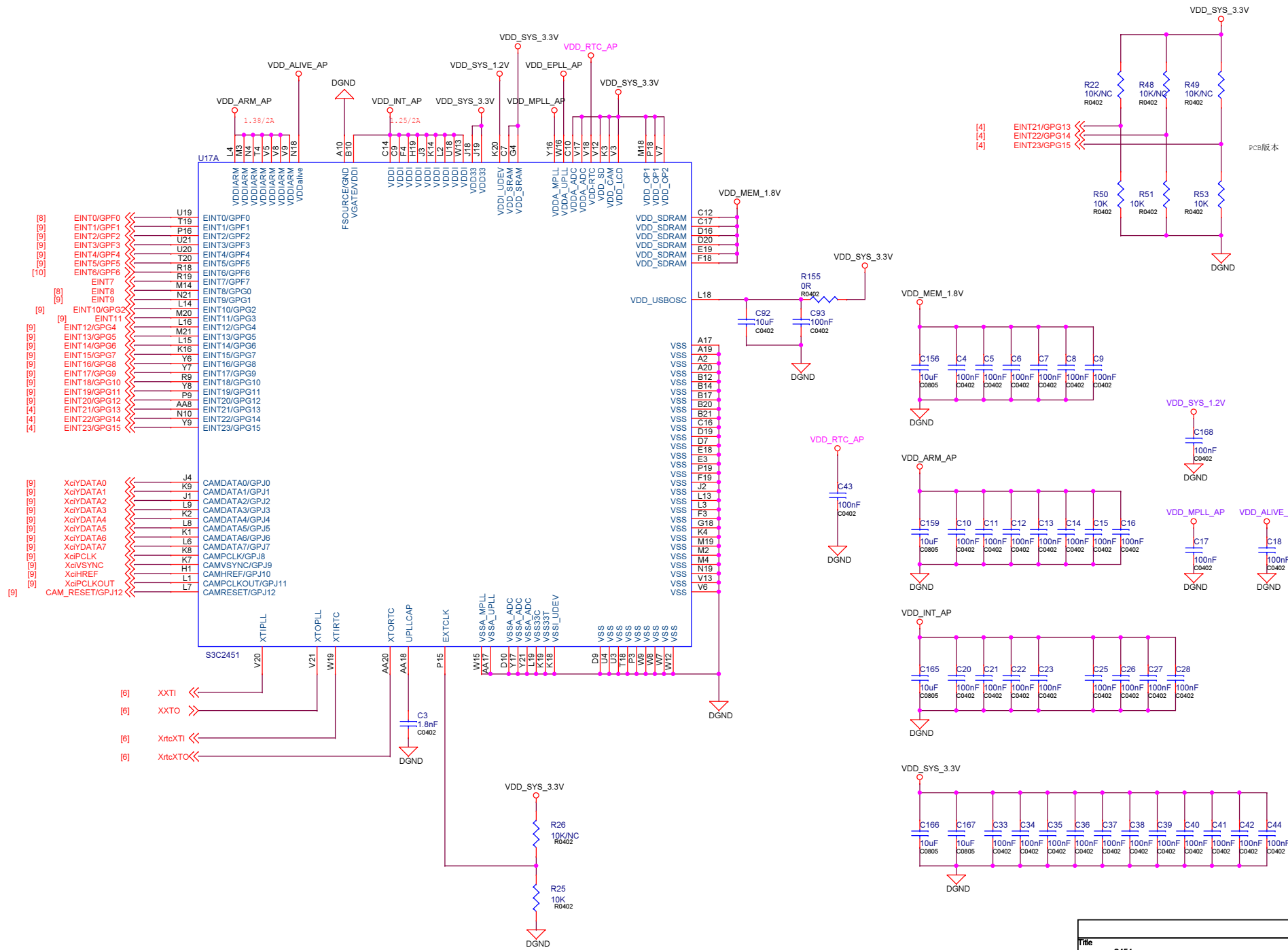
2

1

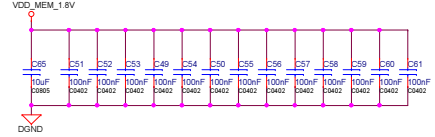
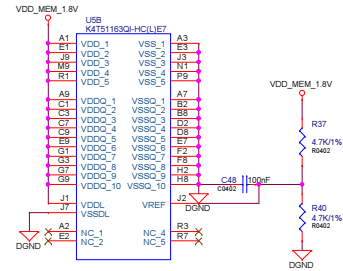
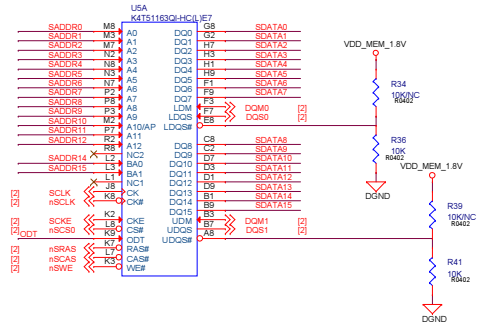
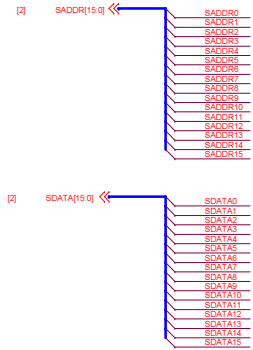




Title		2451
Size	Document Number	Rev
Date:	Friday, July 03, 2015	Sheet 3 of 11

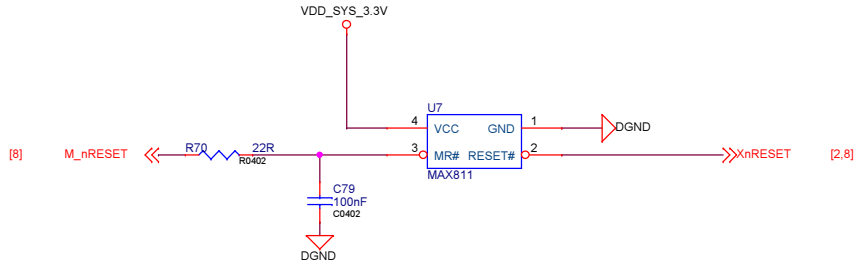


Title	2451	
Size	Document Number	Rev
Date:	Friday, July 03, 2015	Sheet 4 of 11

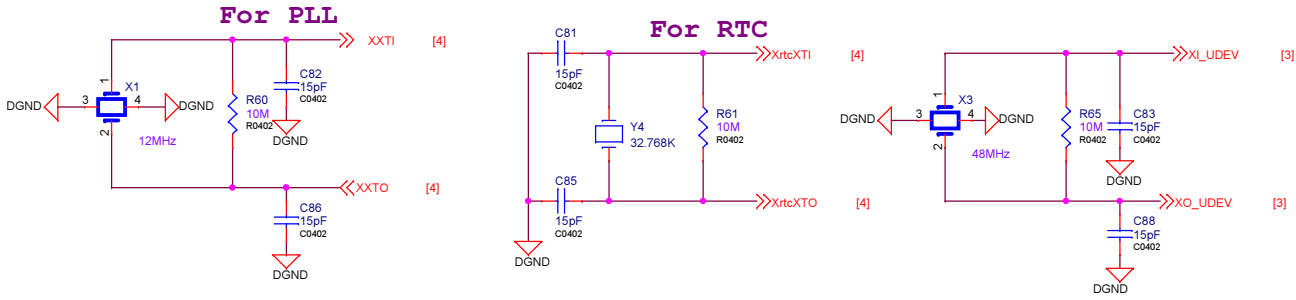


File	2451	Rev	
Size	A2	Document Number	
Date	Friday, July 03, 2015	Sheet	5 of 11

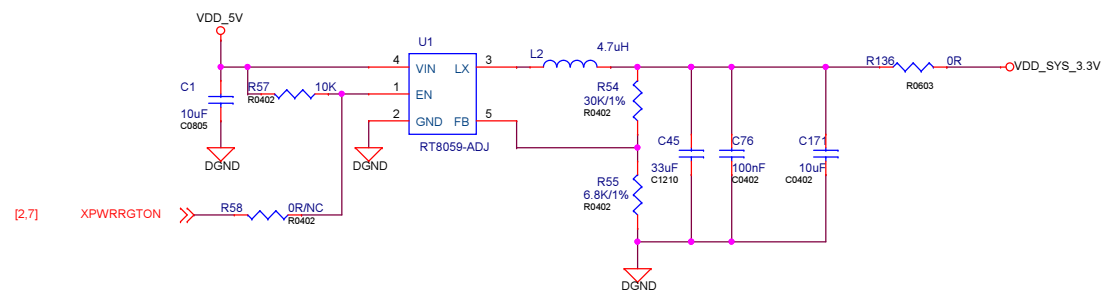
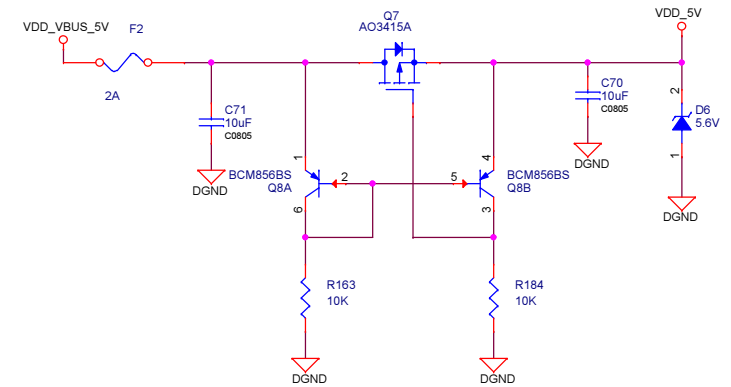
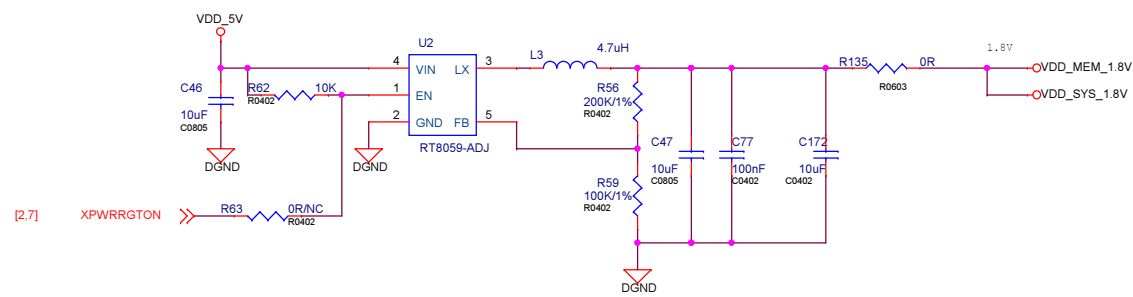
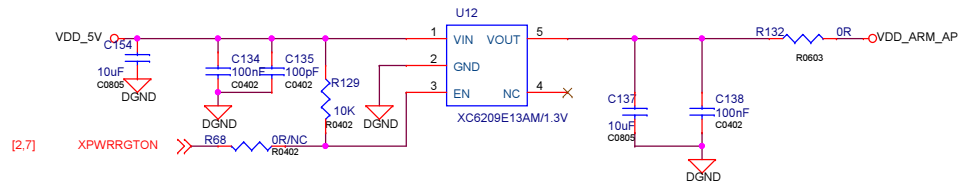
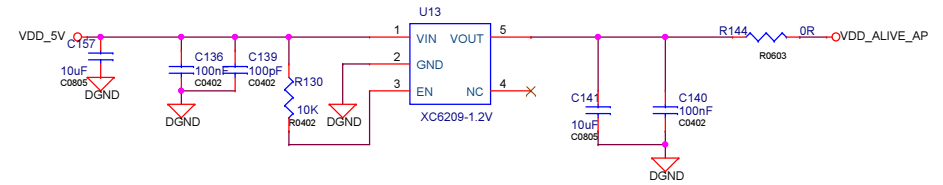
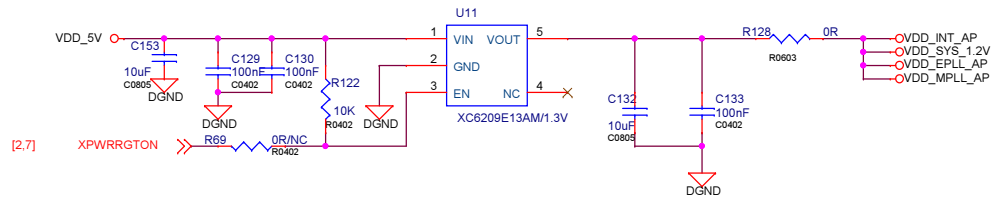
## 复位电路



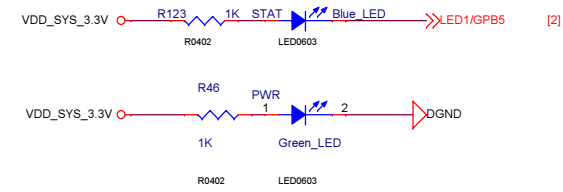
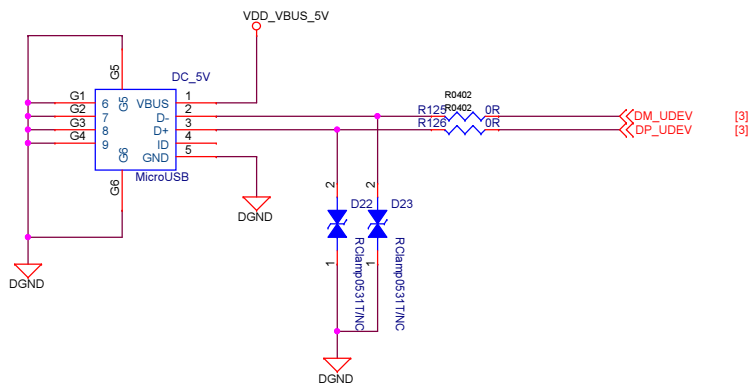
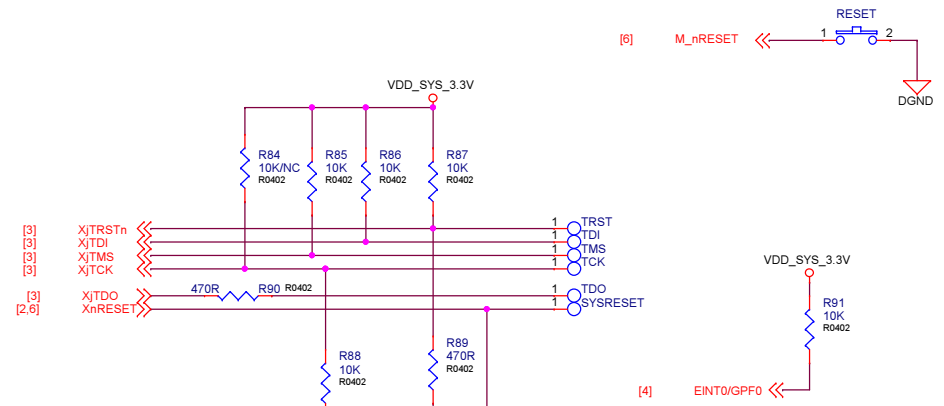
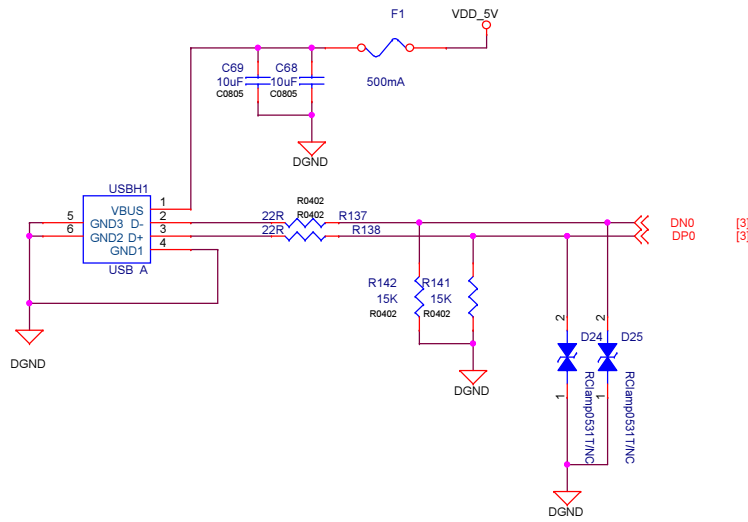
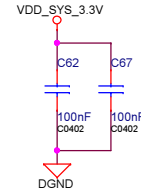
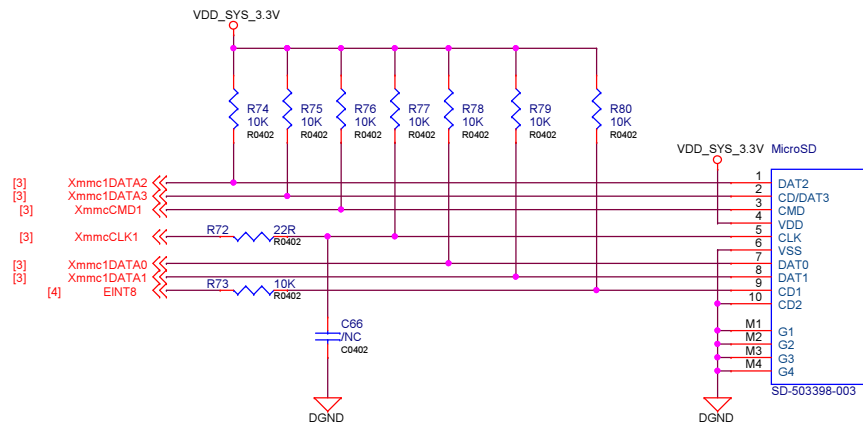
## Clock



Title		2451	
Size	Document Number	Rev	
A3			
Date:	Friday, July 03, 2015	Sheet	6 of 11

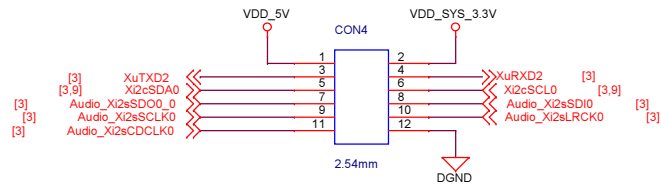
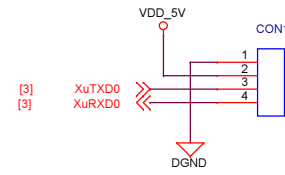
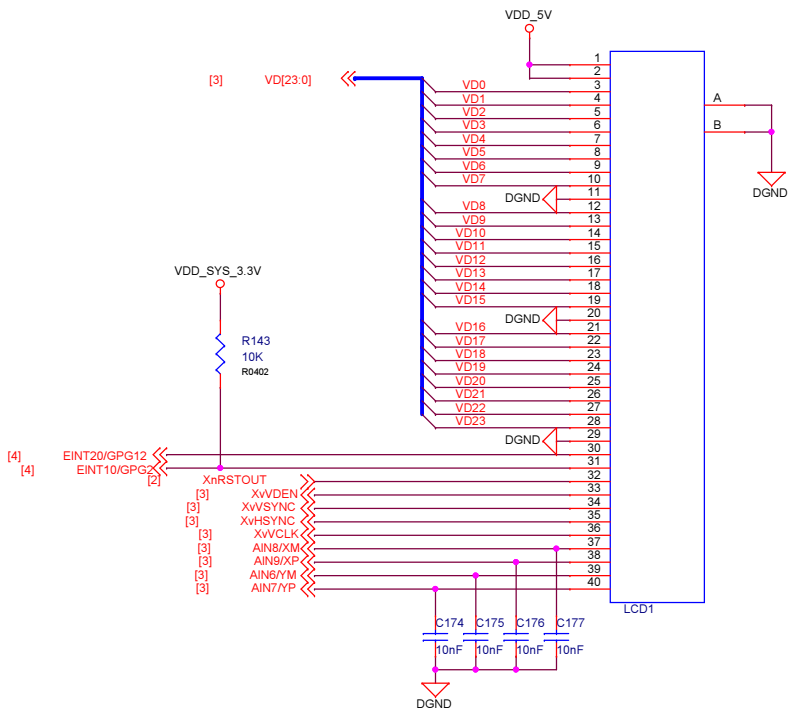
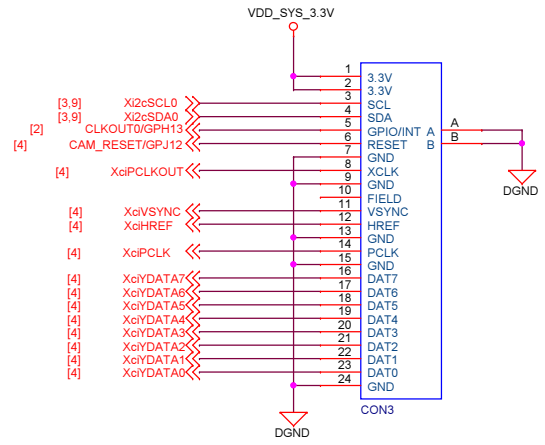
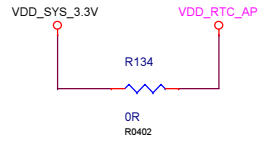
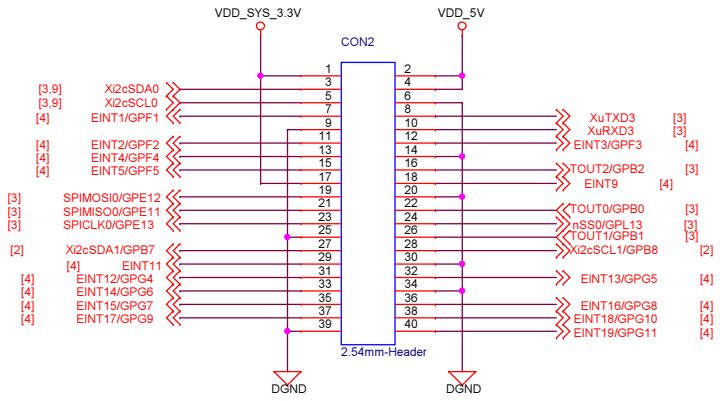


Title		
2451		
Size	Document Number	Rev
A3		
Date:	Friday, July 10, 2015	Sheet 7 of 11

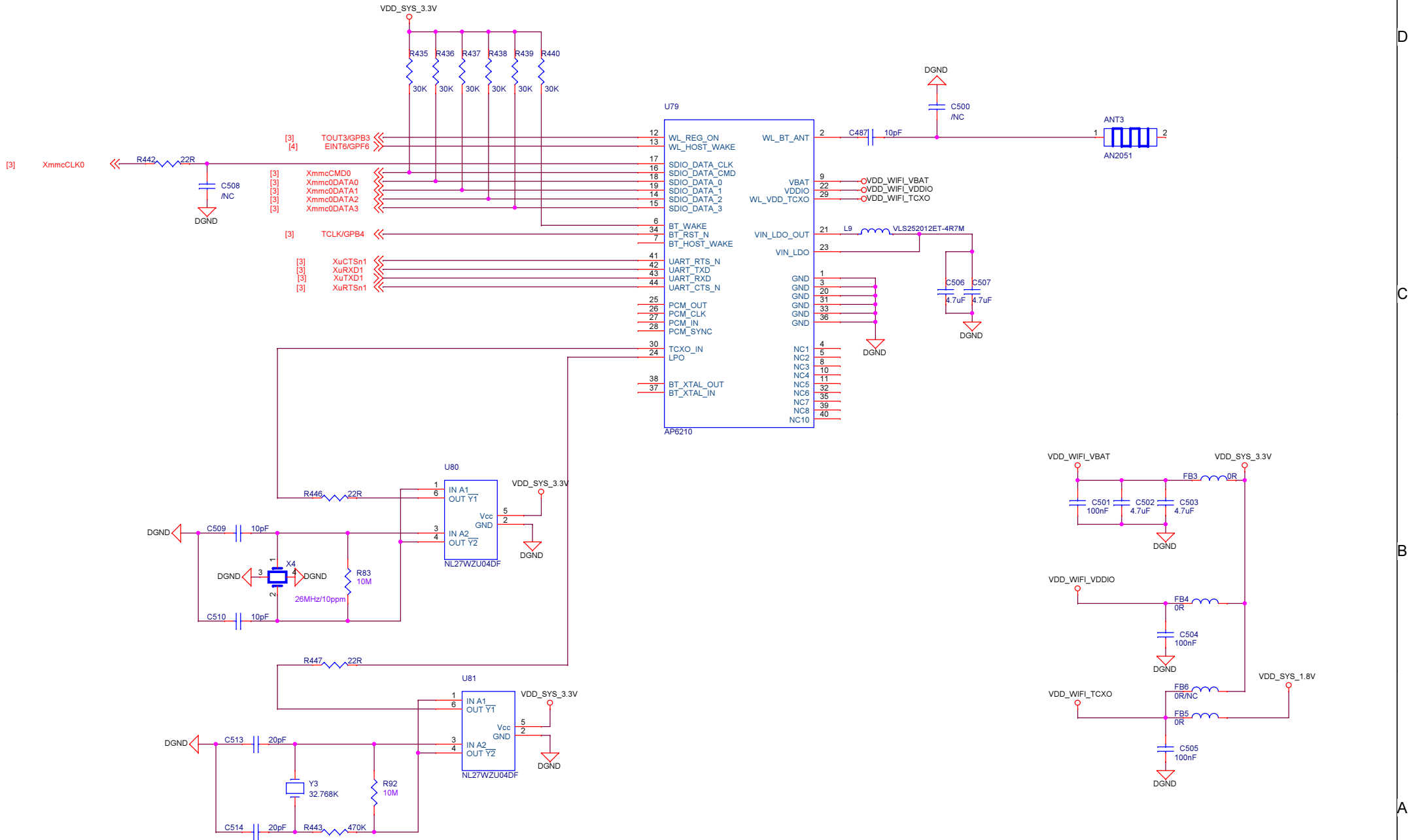


Title		2451	
Size	A3	Document Number	<Doc>
Date:	Friday, July 03, 2015	Sheet	8 of 11





Title		
2451		
Size	Document Number	Rev
A3		
Date:	Friday, July 03, 2015	Sheet 9 of 11



Title		
<Title>		
Size	Document Number	Rev
A3	<Doc>	<Rev>
Date:	Friday, July 03, 2015	Sheet 10 of 11

5

4

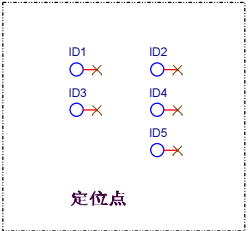
3

2

1

D

D



C

C

B

B

A

A

5

4

3

2

1

Title		
2451		
Size	Document Number	Rev
A3		
Date:	Friday, July 03, 2015	Sheet 11 of 11
		1