

Core4418/6818

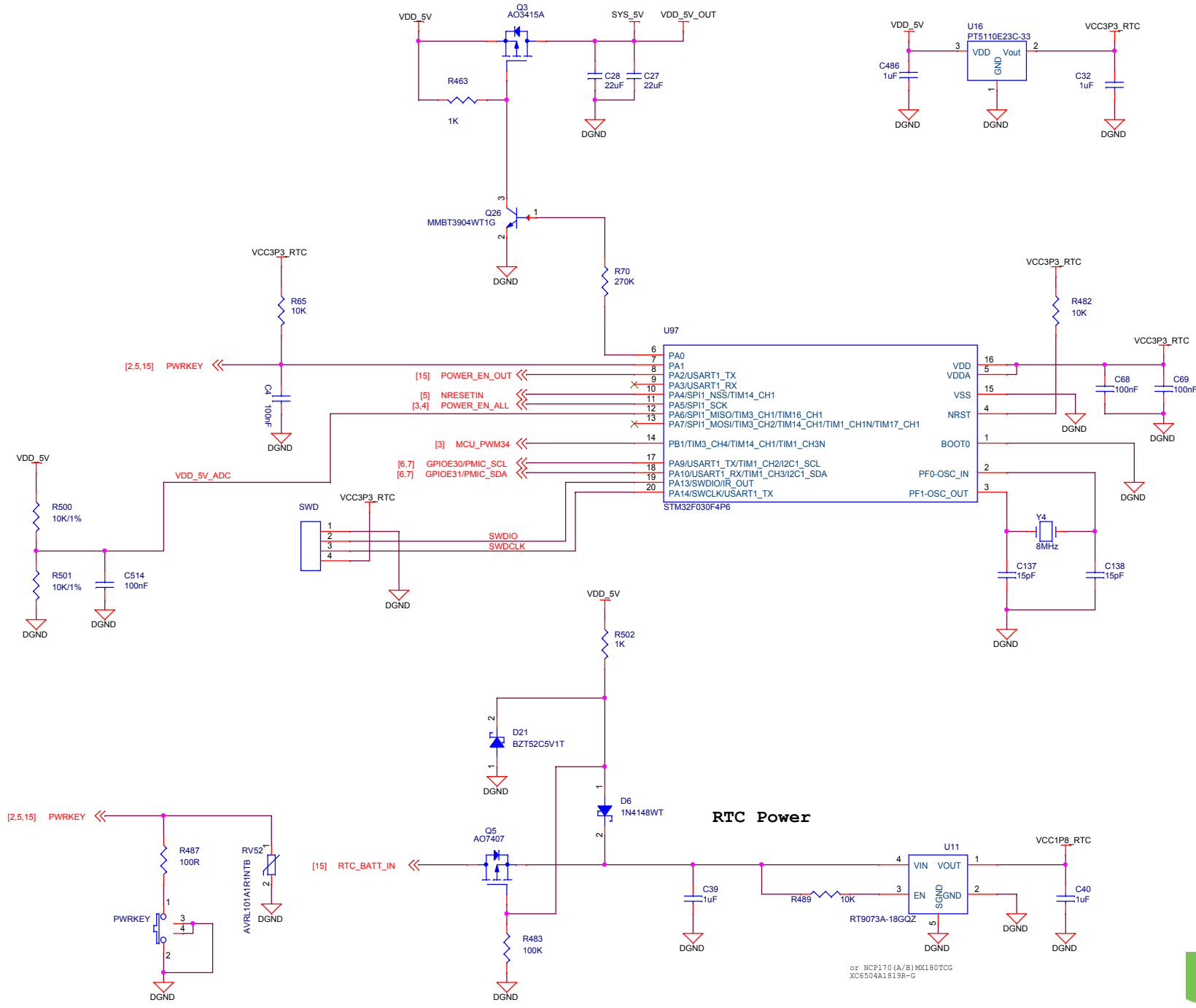
Revision

1711 , First Release

2019/12/23: R70 -> 270K, R463->1K, R150->NC, C168->10K, R19->(6818/120K/1%,4418/100K/1%)

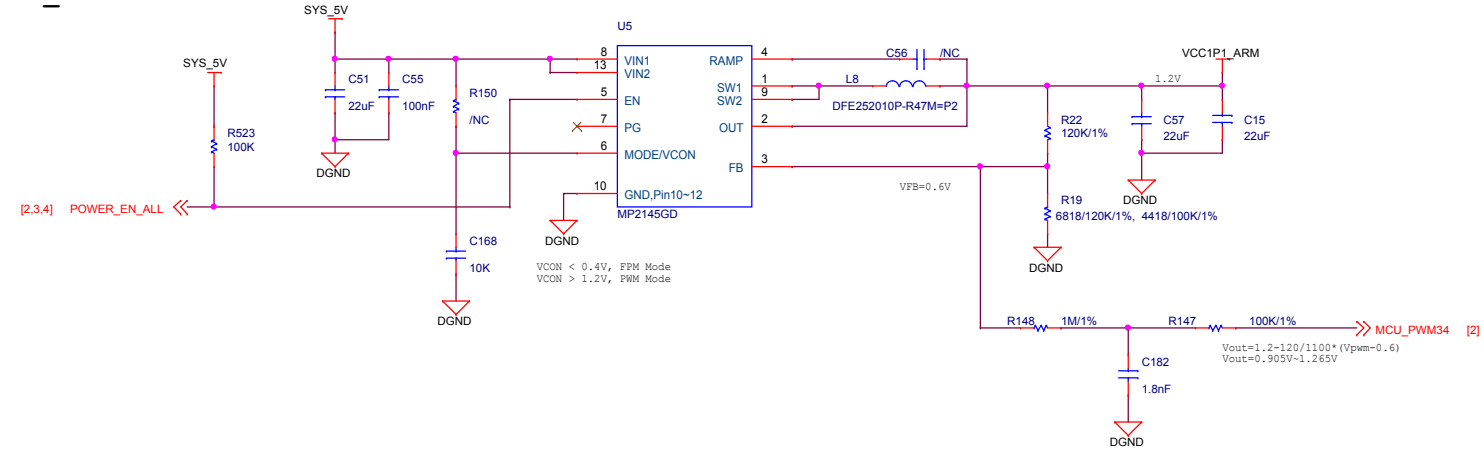
FRIENDLYARM

Core4418		
Size	Document Number	Rev
A3	01.Title	<RevCode>
Date:	Monday, December 30, 2019	Sheet 1 of 15

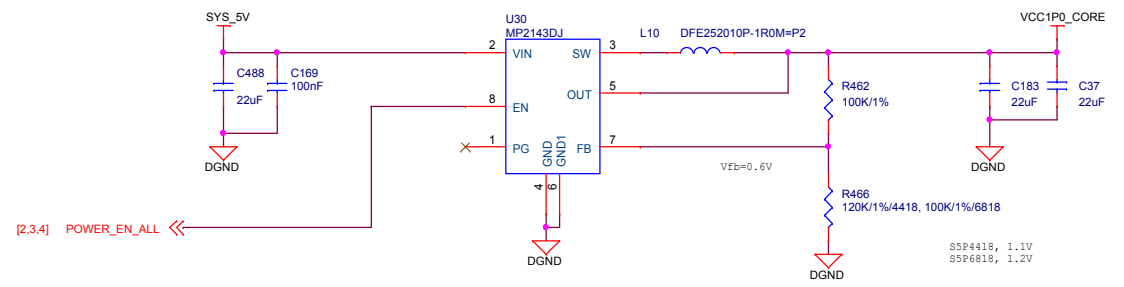


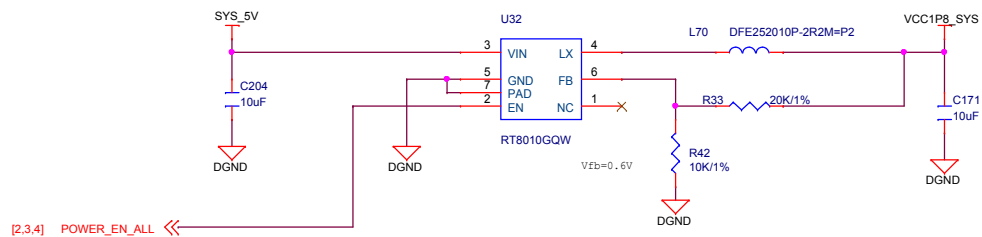
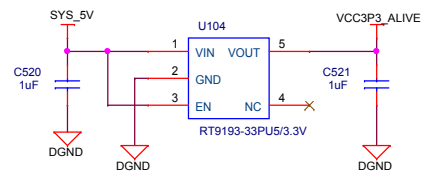
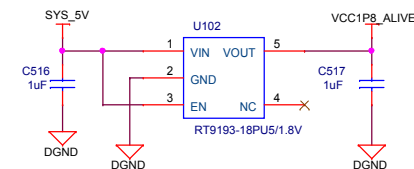
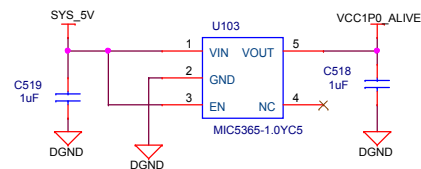
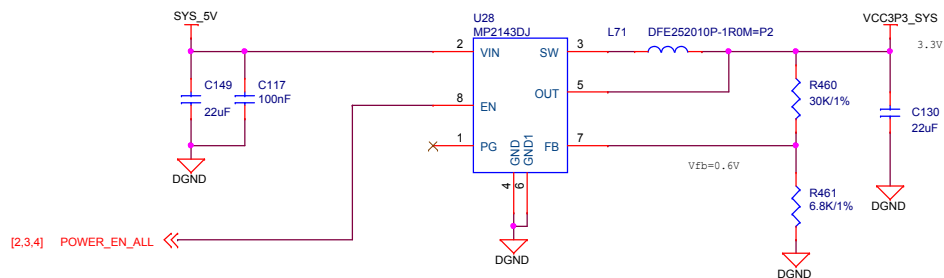
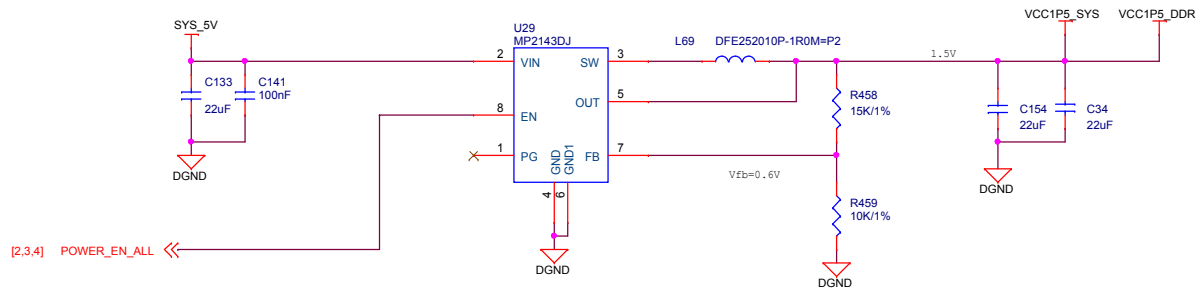
Core4418		
Size A3	Document Number <Doc>	Rev <RevCode>
Date:	Monday, December 30, 2019	Sheet 2 of 15

VDD_ARM



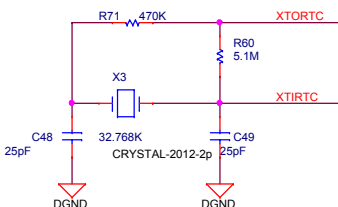
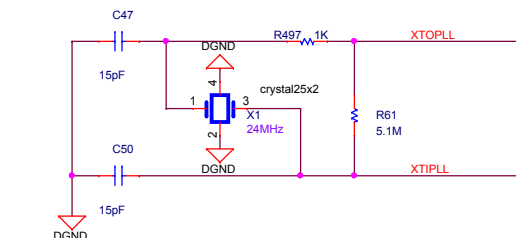
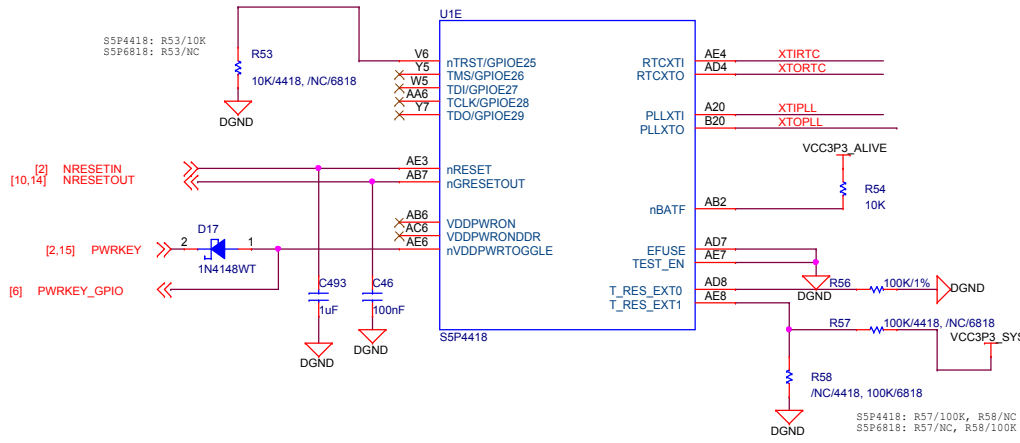
VDD_CORE



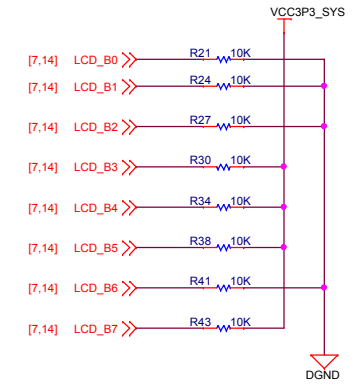
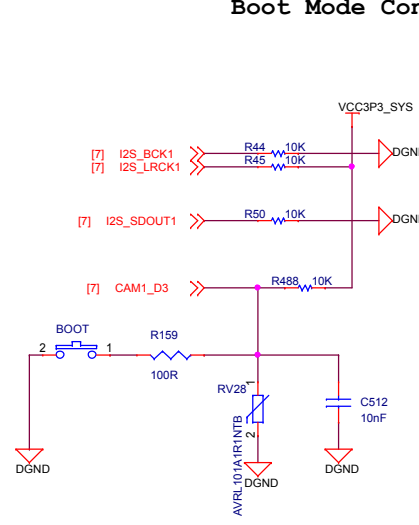


Title		
Core4418		
Size	Document Number	Rev
A3	<Doc>	<RevCode>
Date:	Wednesday, December 20, 2017	Sheet 4 of 15

System Reset, Clocks



Boot Mode Config



BOOT MODE OPTION

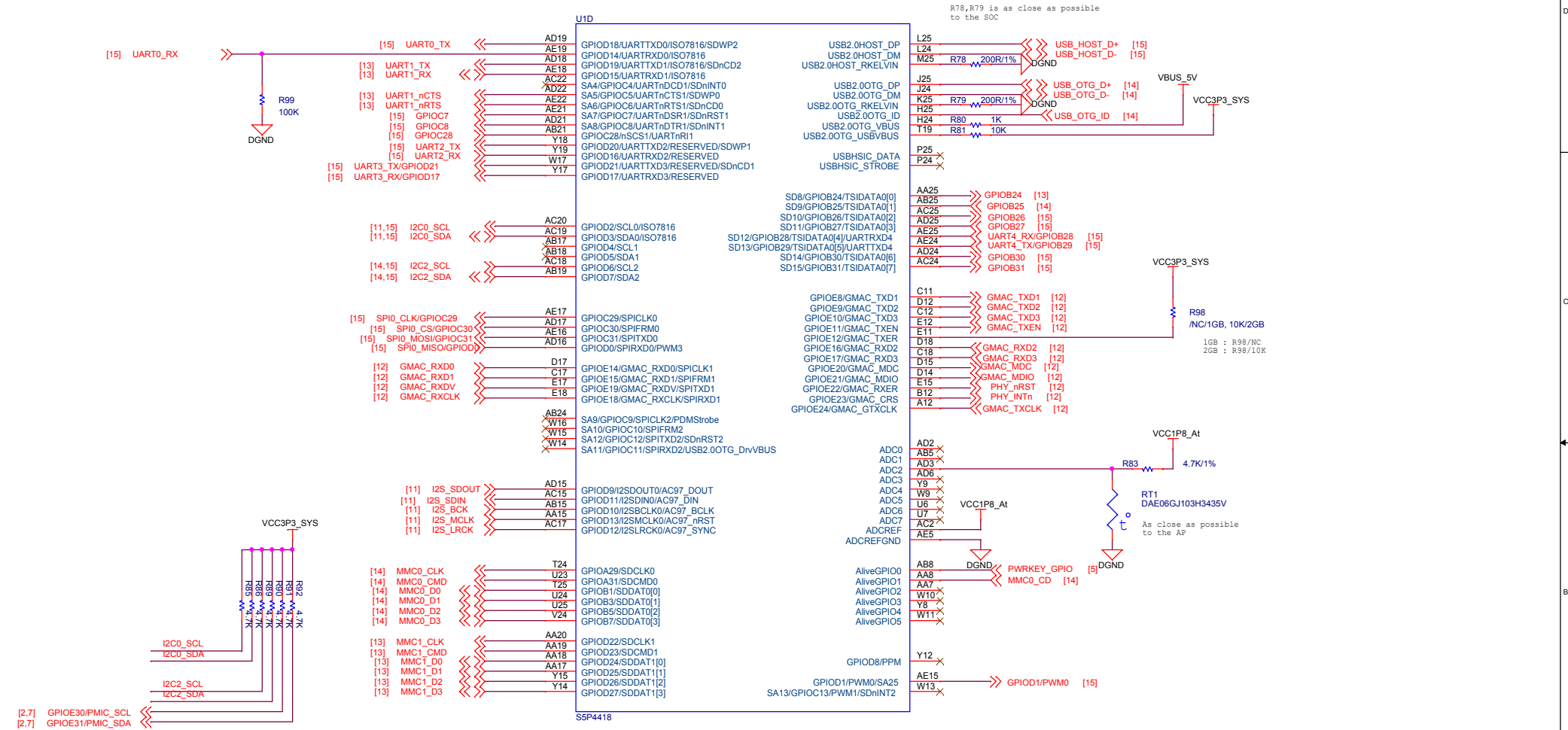
	eMMC	SPI	USB	NAND
SD0	HIGH	LOW	LOW	HIGH
SD1	LOW	LOW	HIGH	HIGH
SD2	HIGH	HIGH	HIGH	HIGH
SD4	LOW	HIGH		
SD5	LOW	LOW		

Boot media port select (SPI, eMMC)

	CH0	CH1	CH2
SD3	LOW	HIGH	LOW
CAM1_D3	LOW	LOW	HIGH

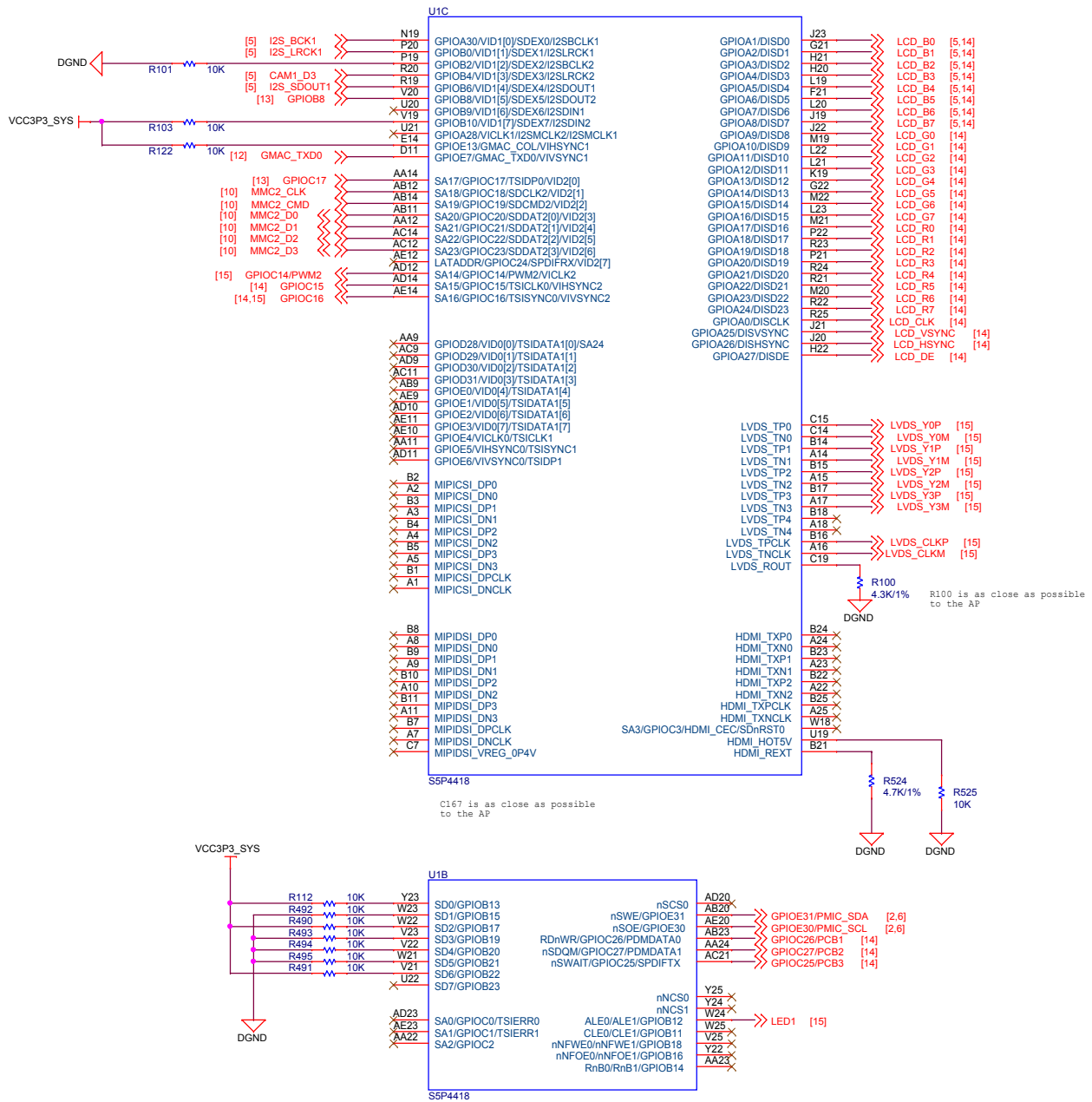


AP Peripherals

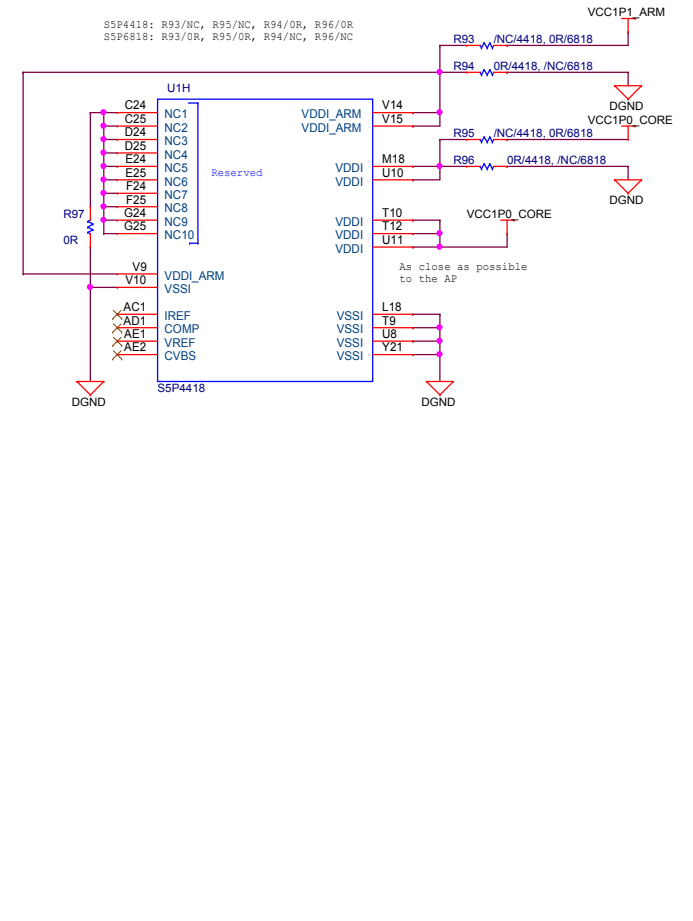


I2C CH0 : Camera
I2C CH1 : HDMI EDID
I2C CH2 : Touch
PMIC_I2C : PMIC

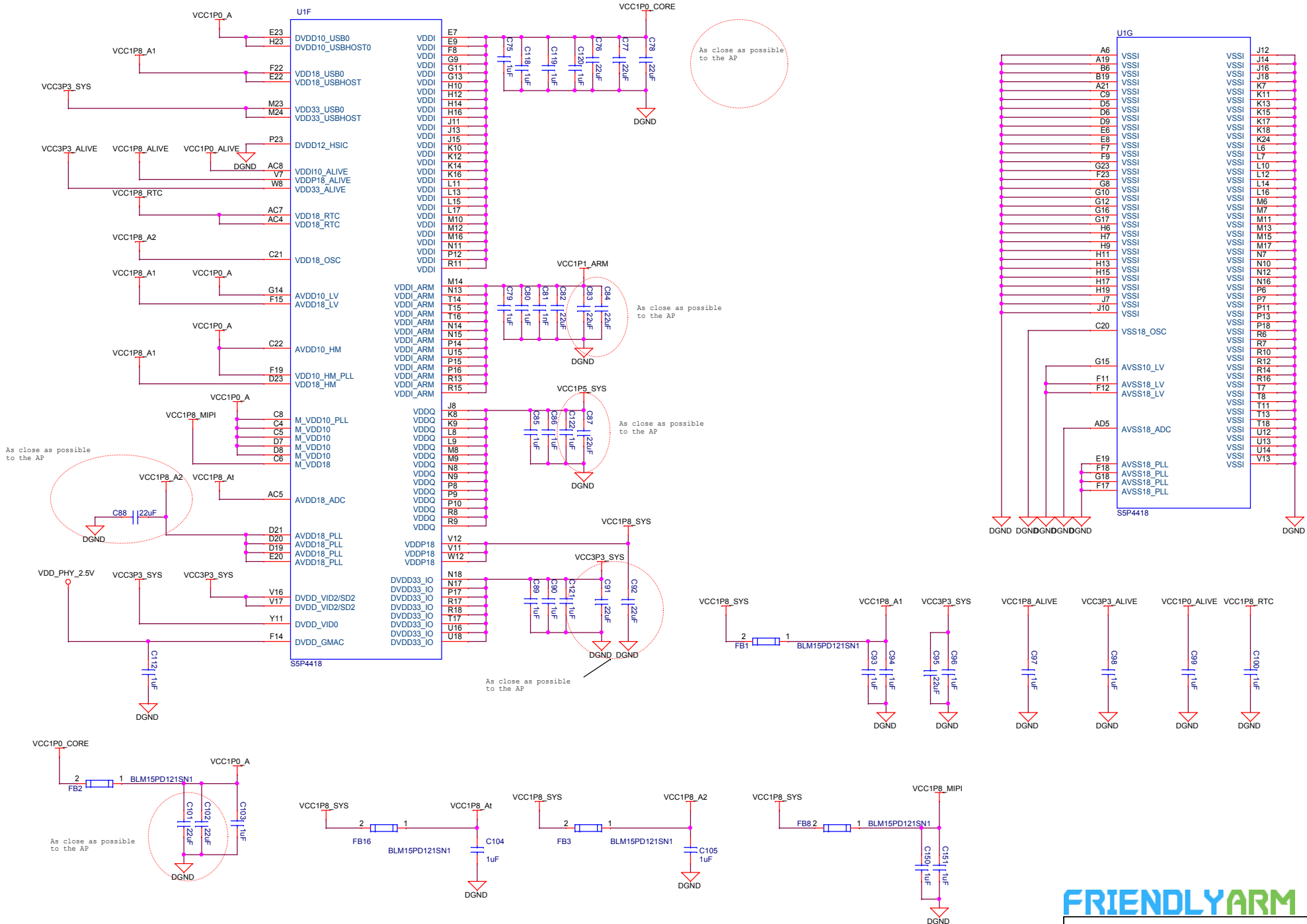
AP VIP&Display



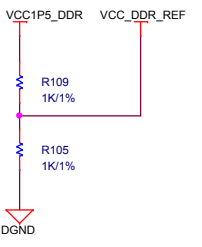
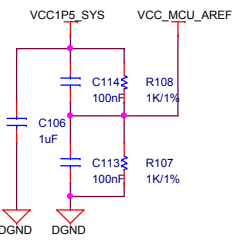
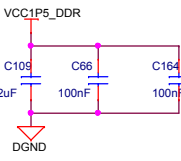
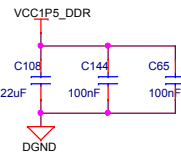
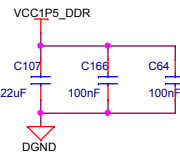
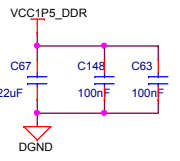
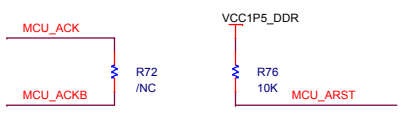
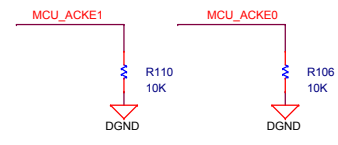
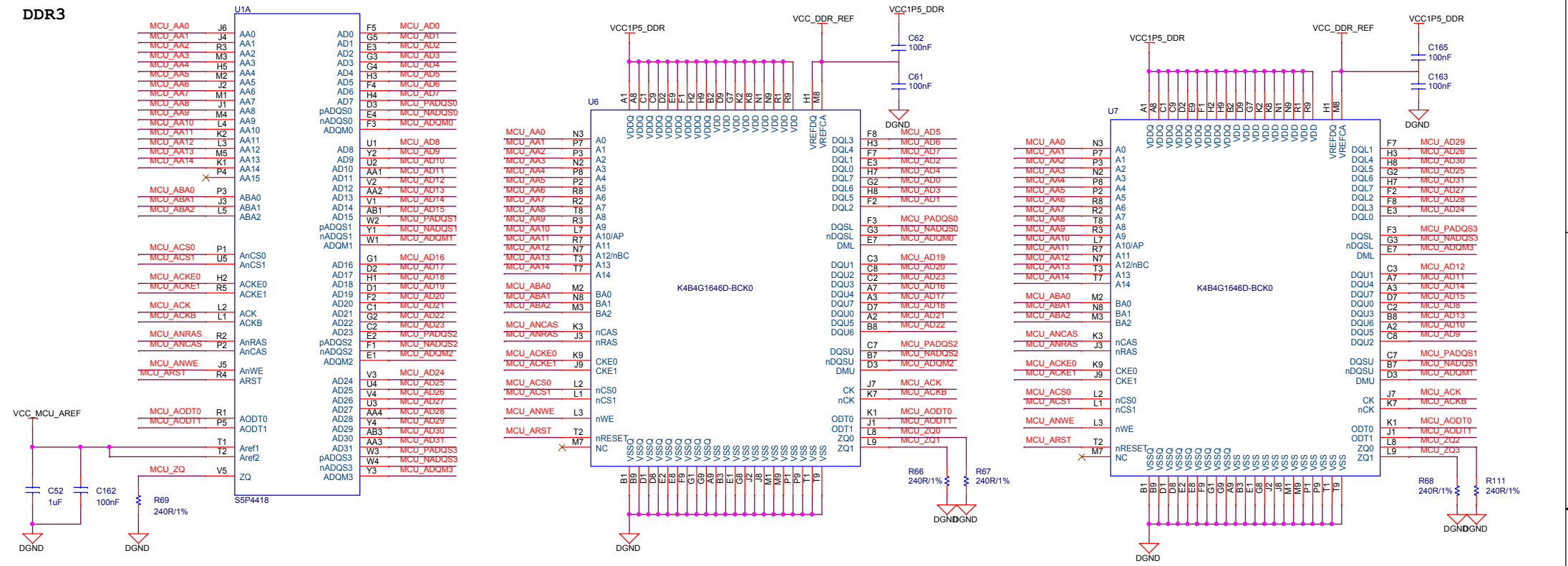
Reserved Function

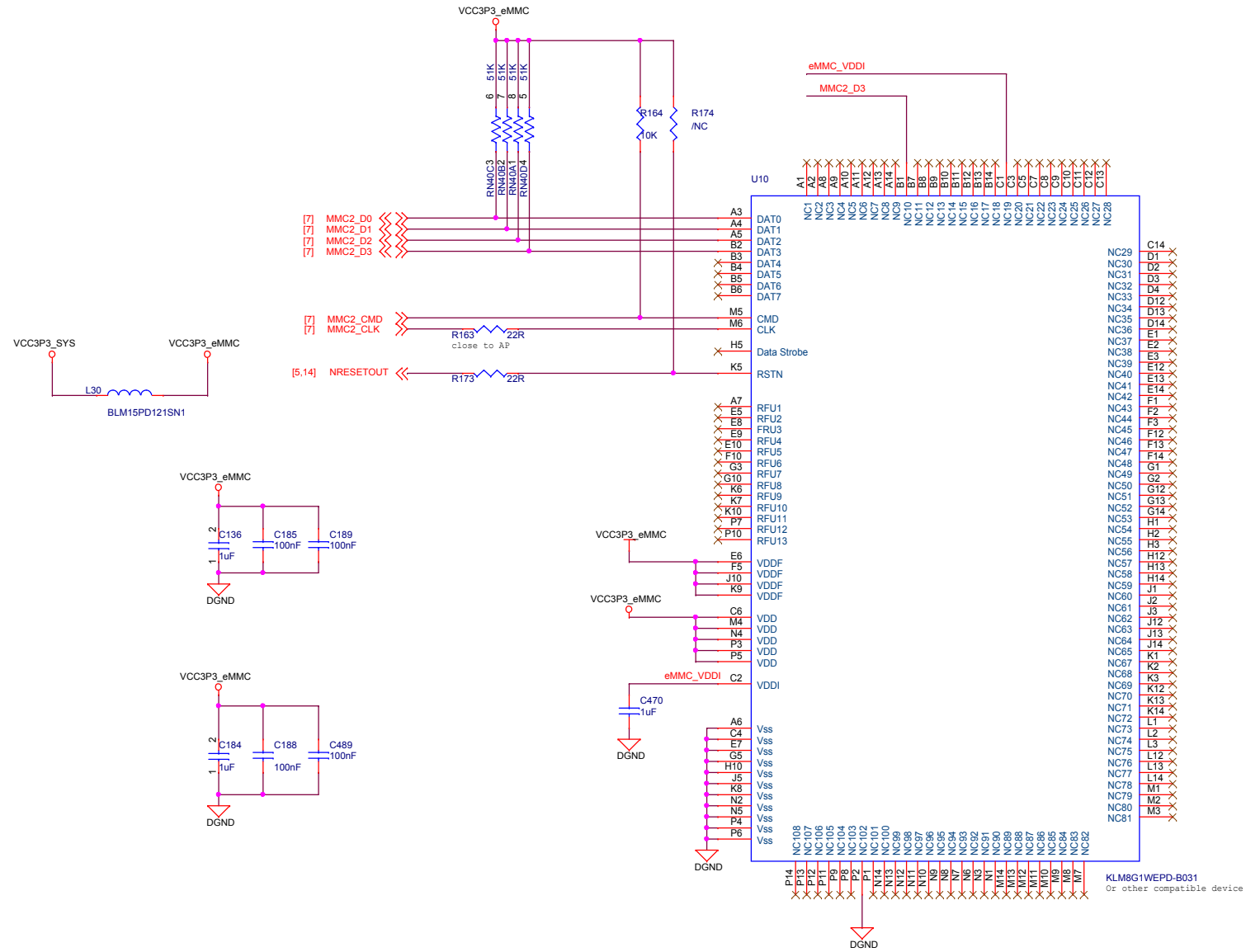


AP Power

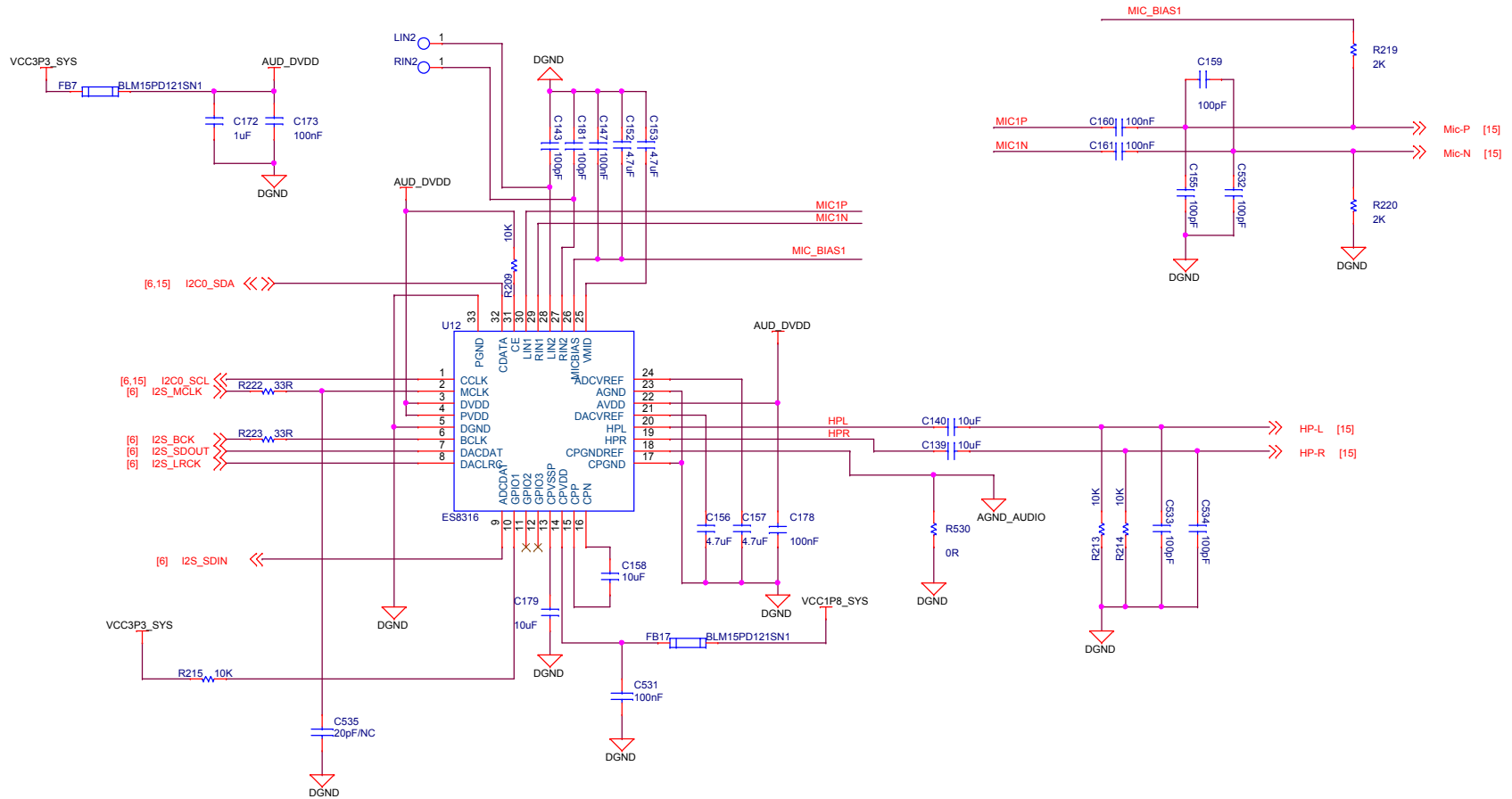


DDR3



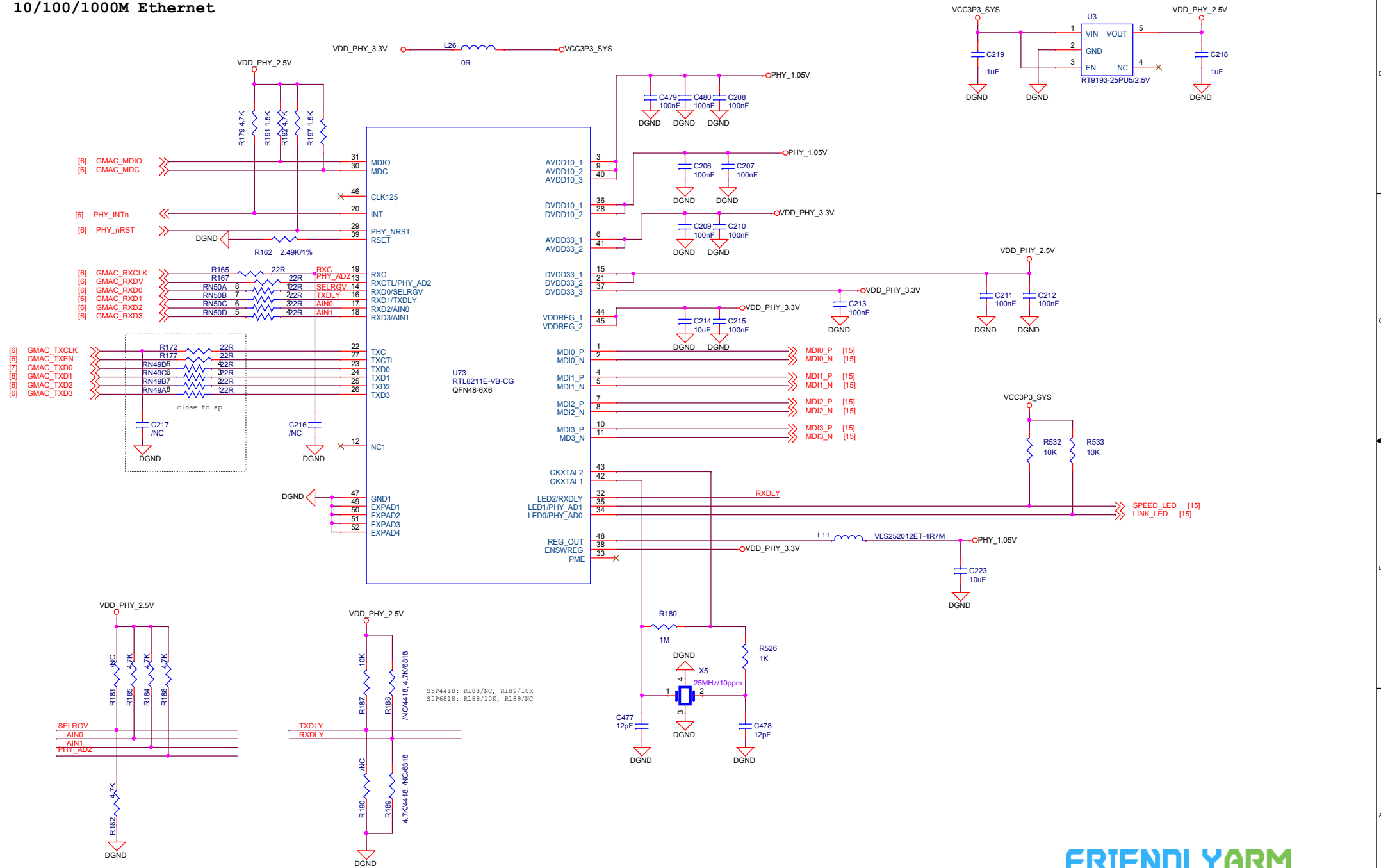


Audio

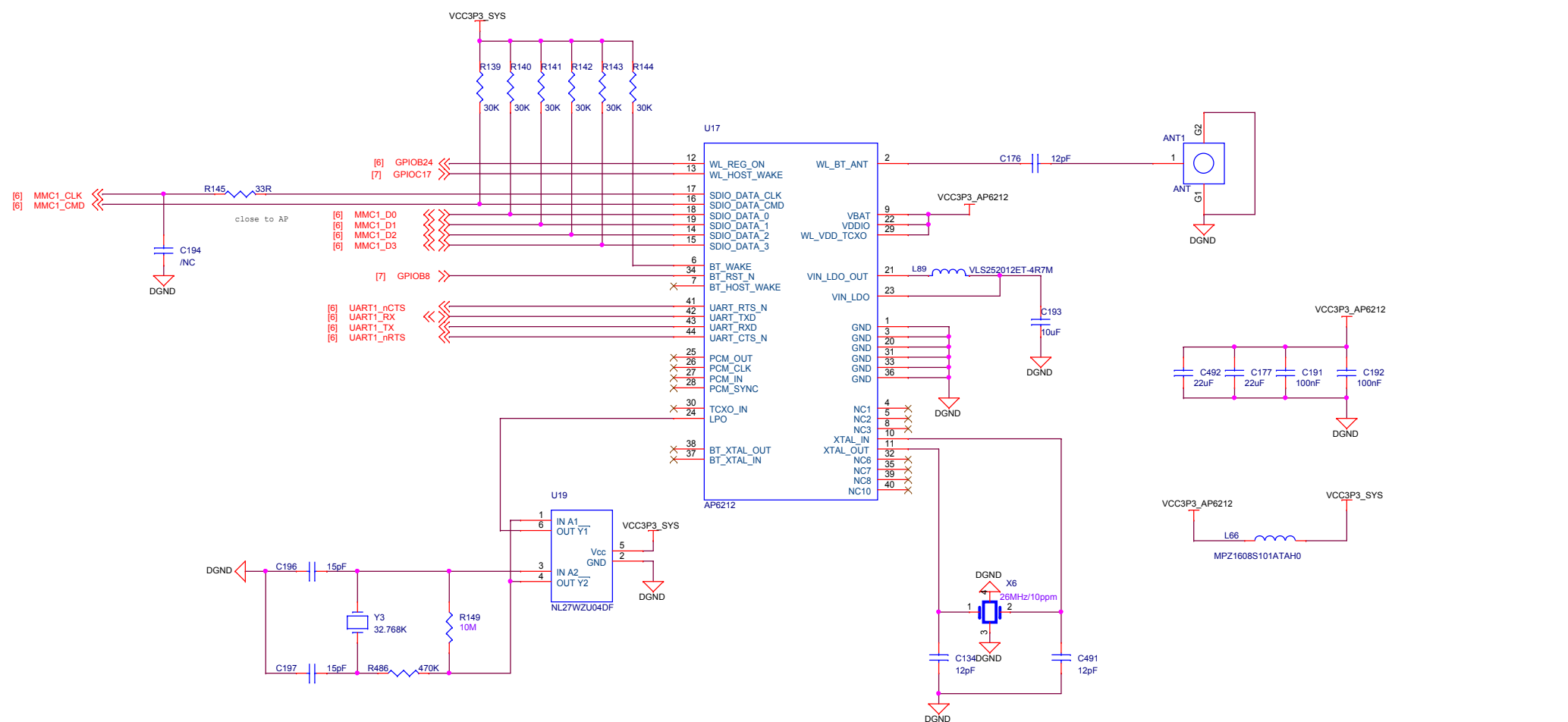


Core4418		
Size A3	Document Number <Doc>	Rev <RevCode>
Date: Wednesday, December 20, 2017	Sheet 11	of 15

10/100/1000M Ethernet

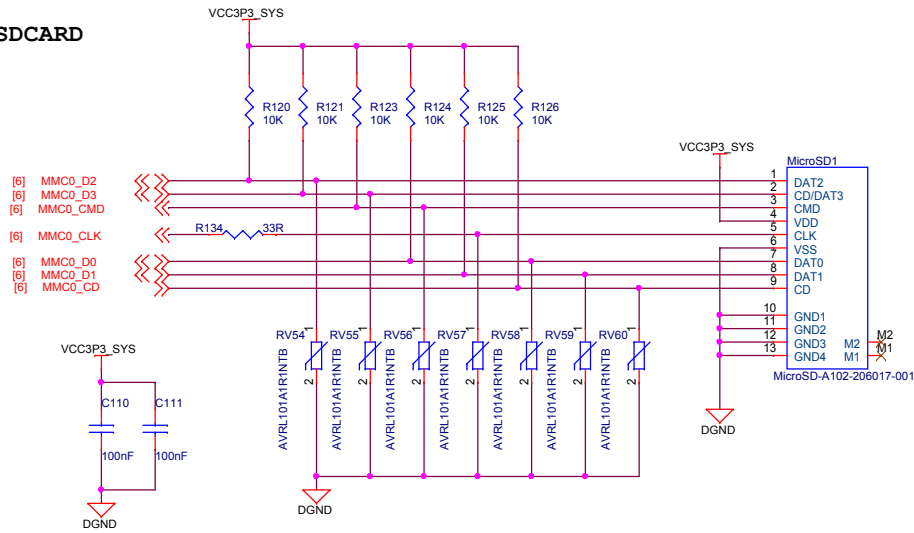


Wi-Fi/Bluetooth

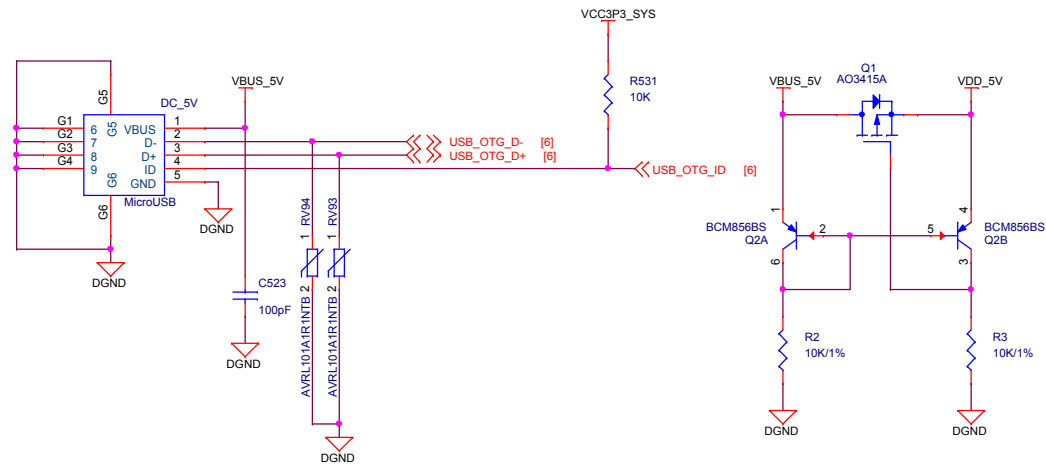
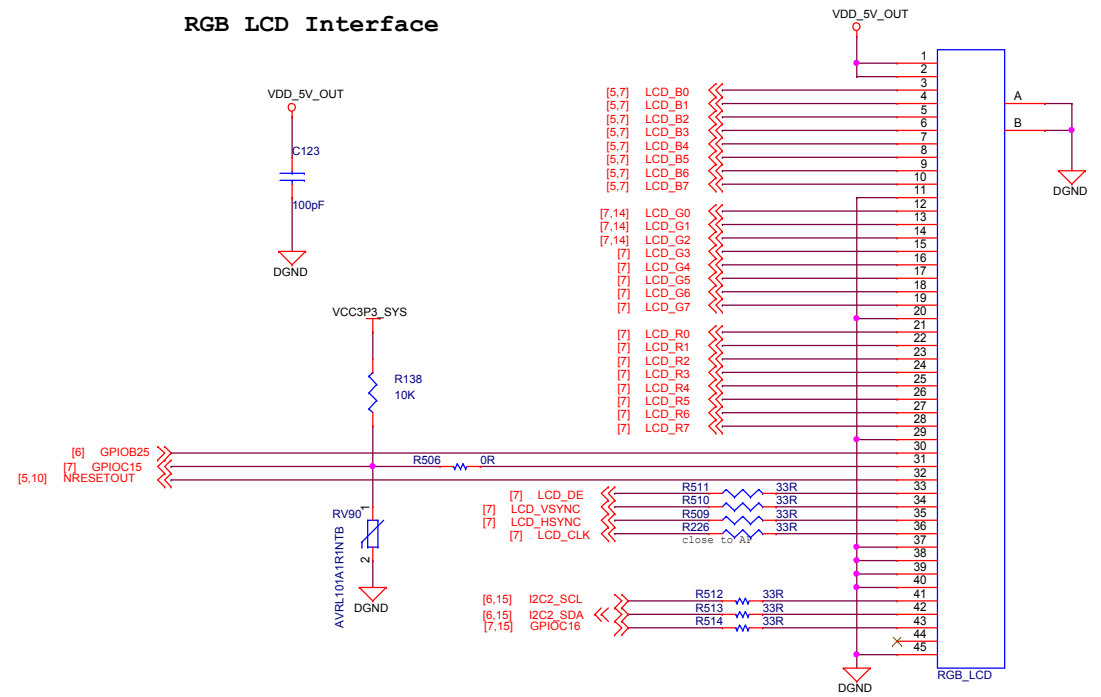


Title		Core4418
Size	Document Number	Rev
A3	<Doc>	<Rev Code>
Date:	Wednesday, December 20, 2017	Sheet 13 of 15

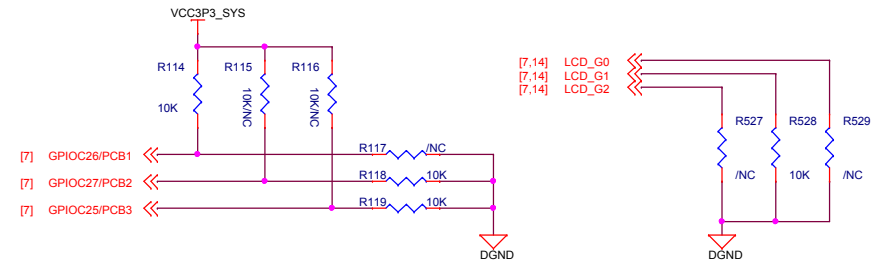
SDCARD



RGB LCD Interface



PCB Version



FRIENDLYARM

Core4418		
Size	Document Number	Rev
A3	10.MicroSD, RGB-LCD&Camera	<RevCode>
Date:	Wednesday, December 20, 2017	Sheet 14 of 15

2.54mm Header

