

# NanoPC T4

## Revision

1802, First Release

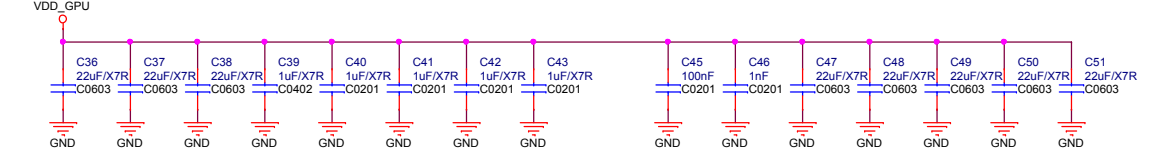
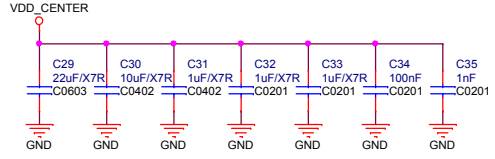
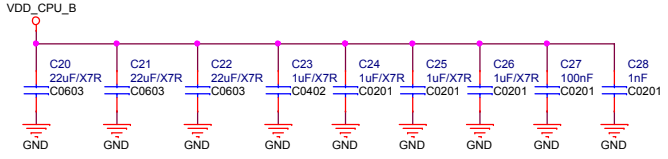
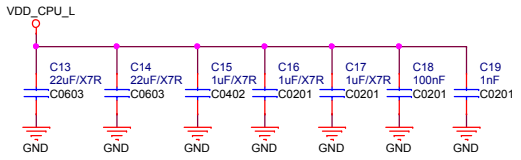
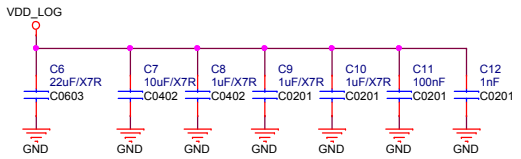
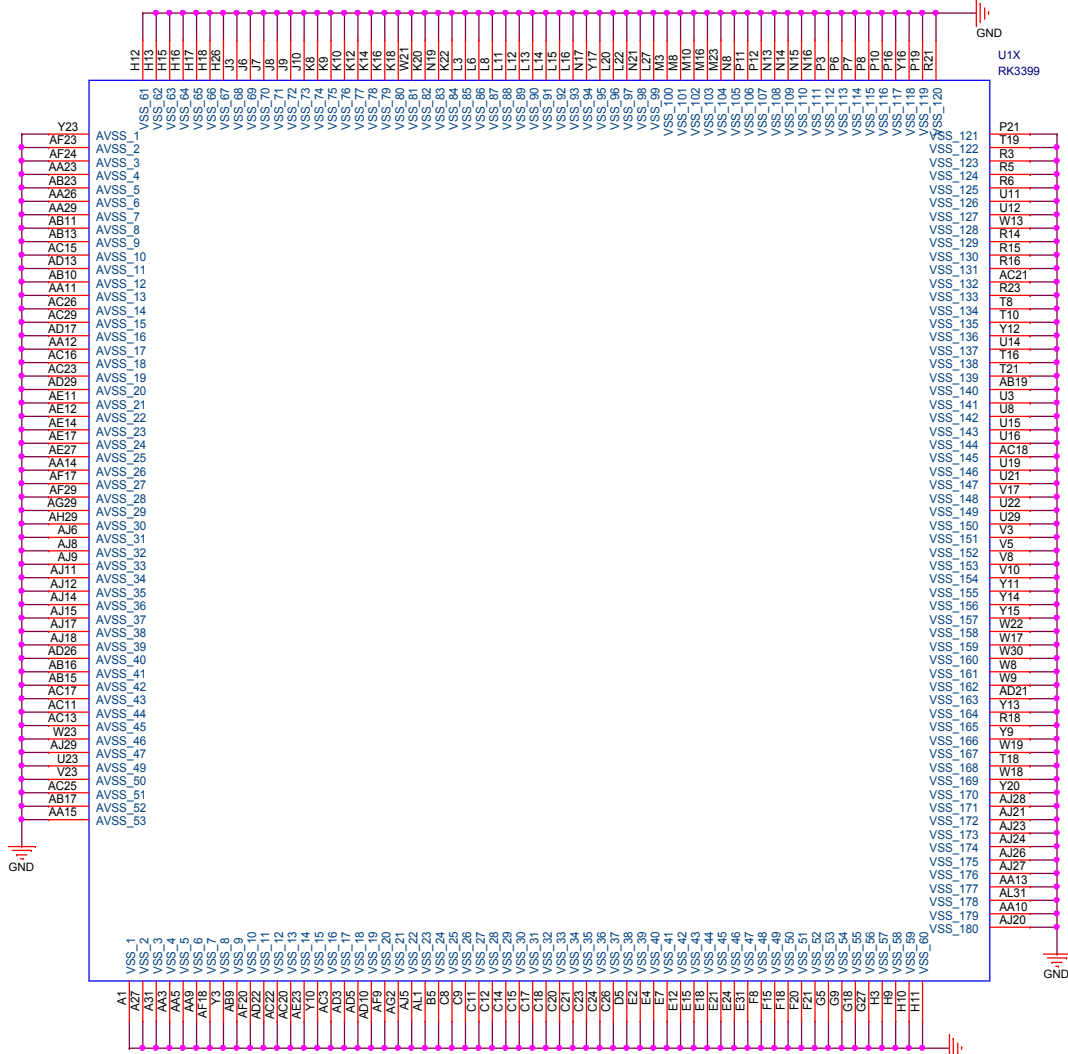
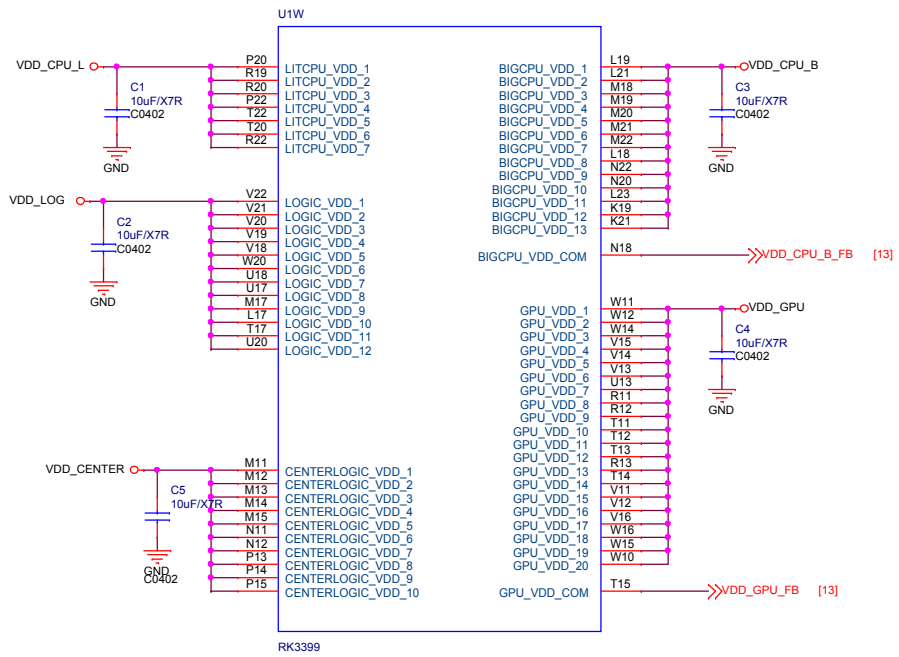
- 1902, 1) Change MIC to 2.54mm Jumper  
2) Add Power On Mode Select Jumper J1  
3) Change Type-C Connector to SMT type  
4) Change USB Power Switch to SY6280AAC

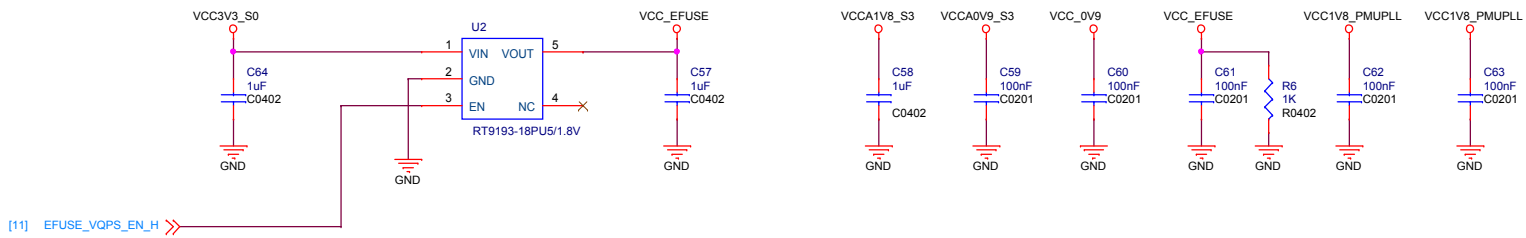
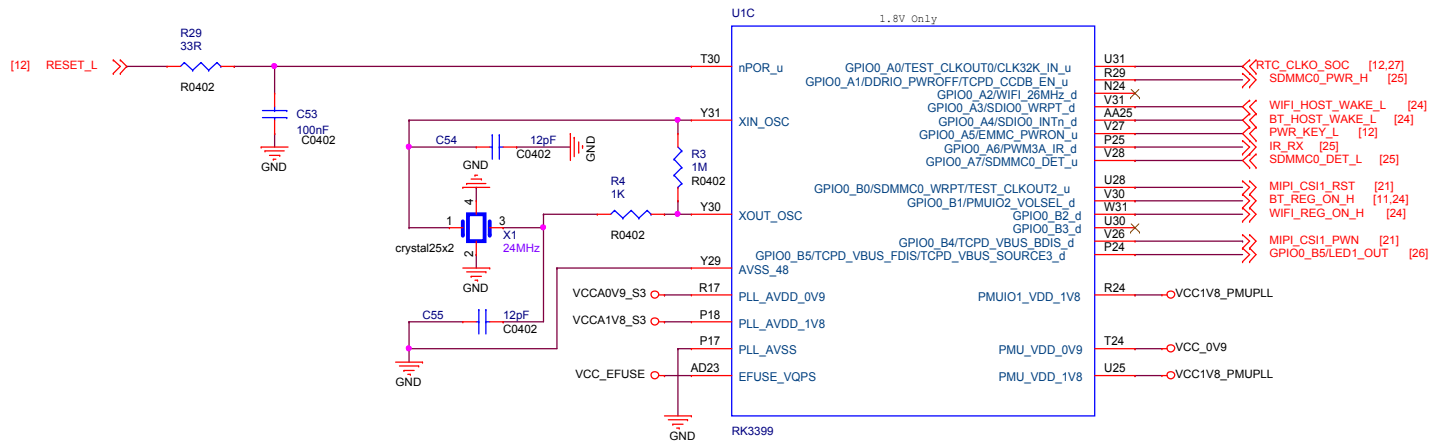
## I2C device list :

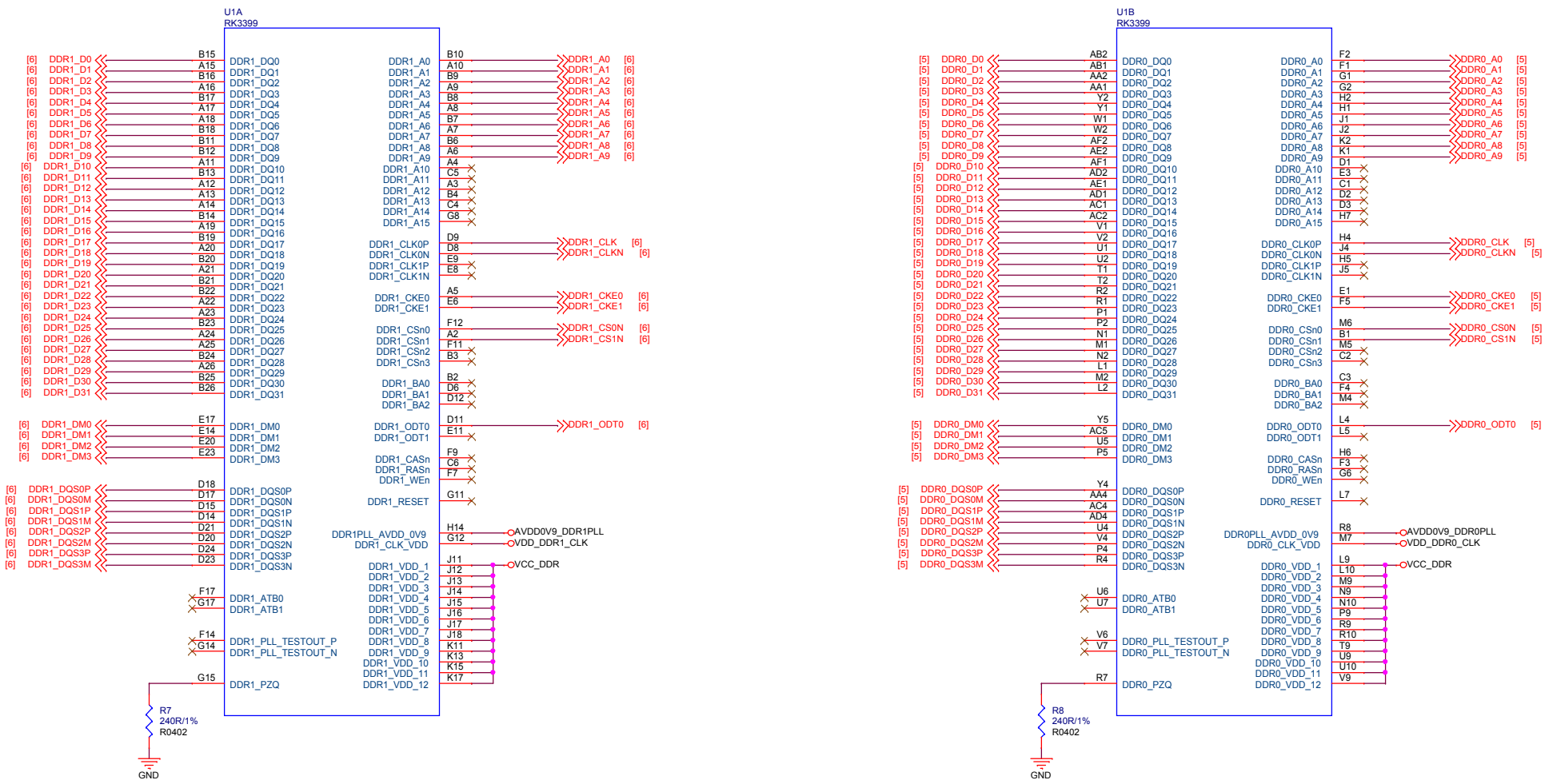
I2C0 (3V), SYR838PKC, SYR837, RK808-D  
I2C1 (1.8V) CSI0, ALC5651  
I2C2 (1.8V) CSI1, M.2  
I2C3  
I2C4 (1.8V), FUSB302MPX, LCD Touch  
I2C5  
I2C6  
I2C7 (1.8V) HDMI  
I2C8



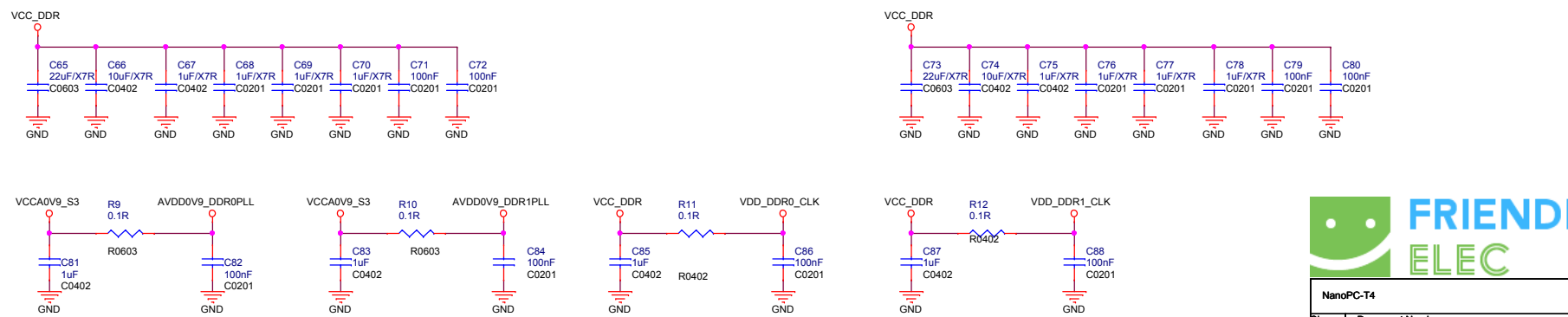
NanoPC-T4		
Size A3	Document Number 01.Title	Rev 1902
Date:	Tuesday, May 21, 2019	Sheet 1 of 28



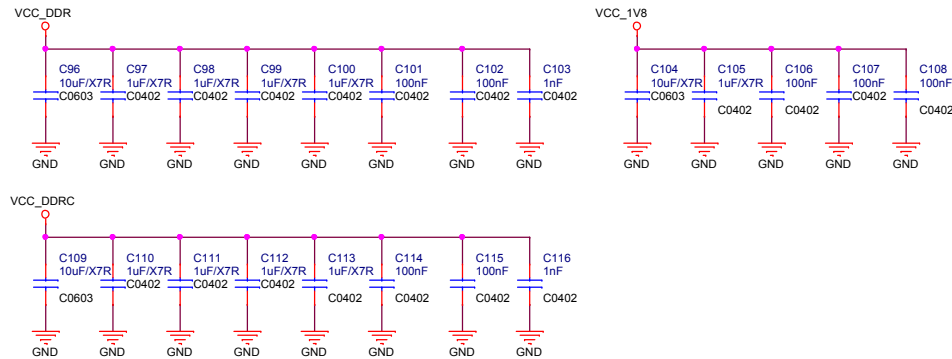
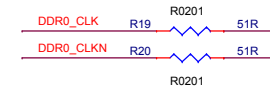
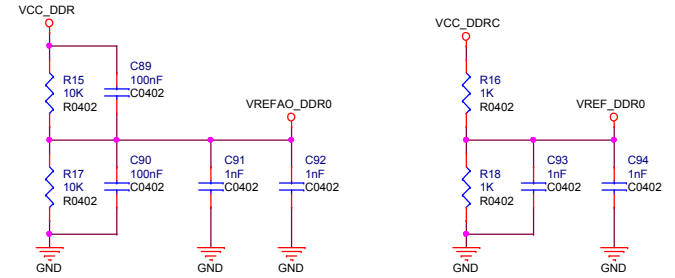
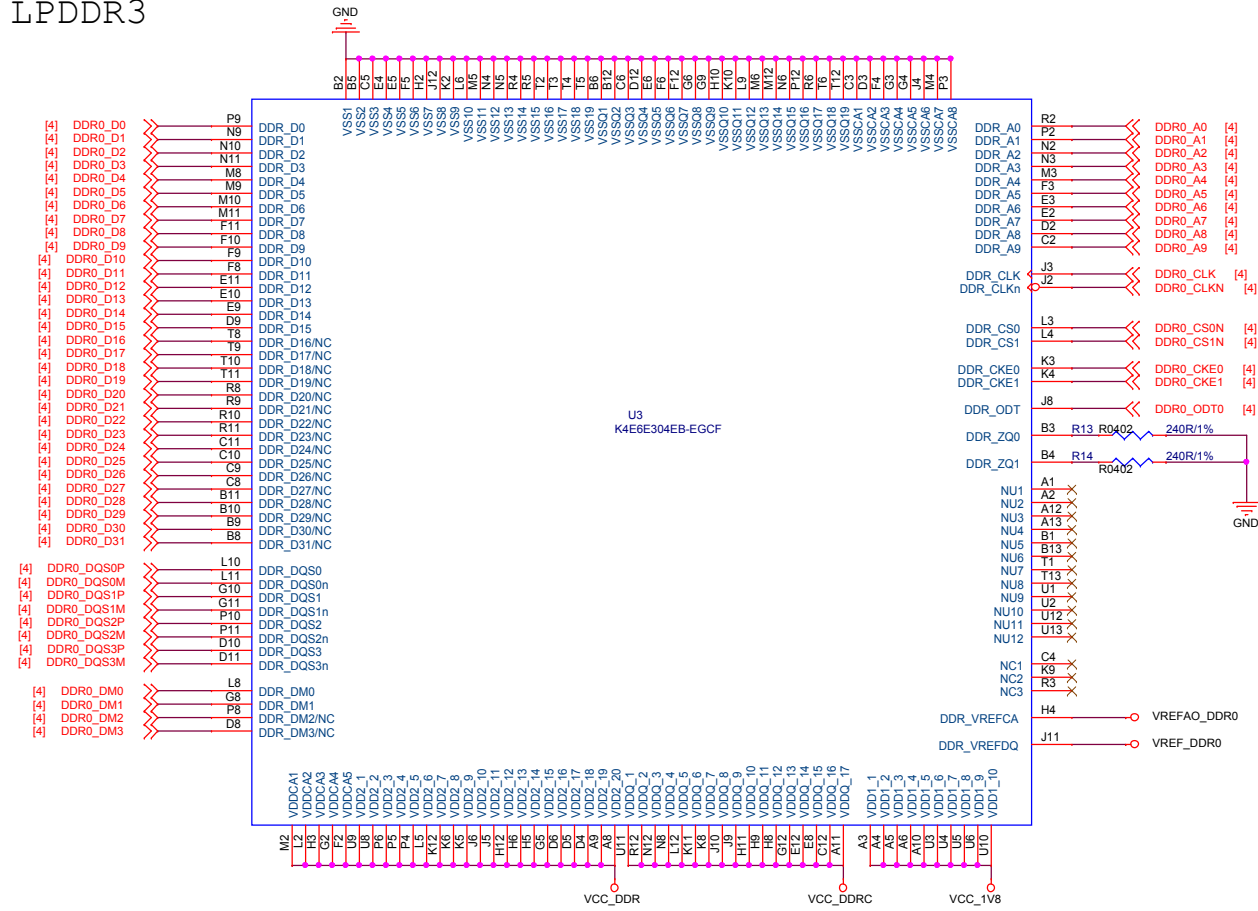




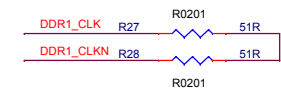
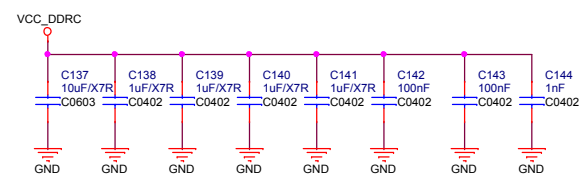
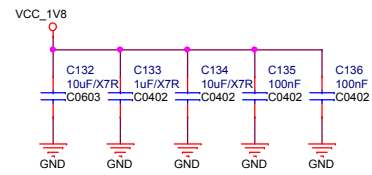
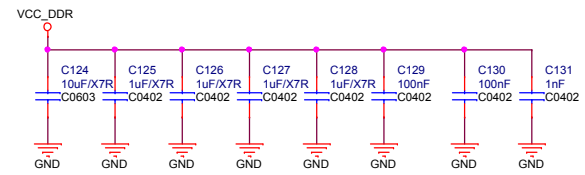
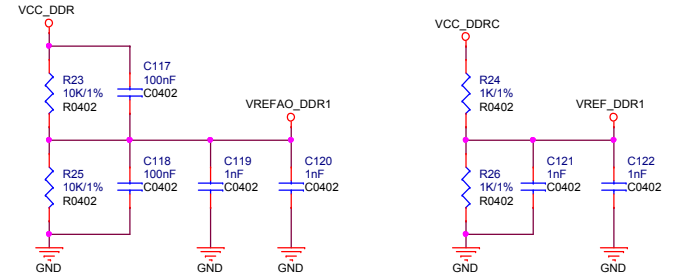
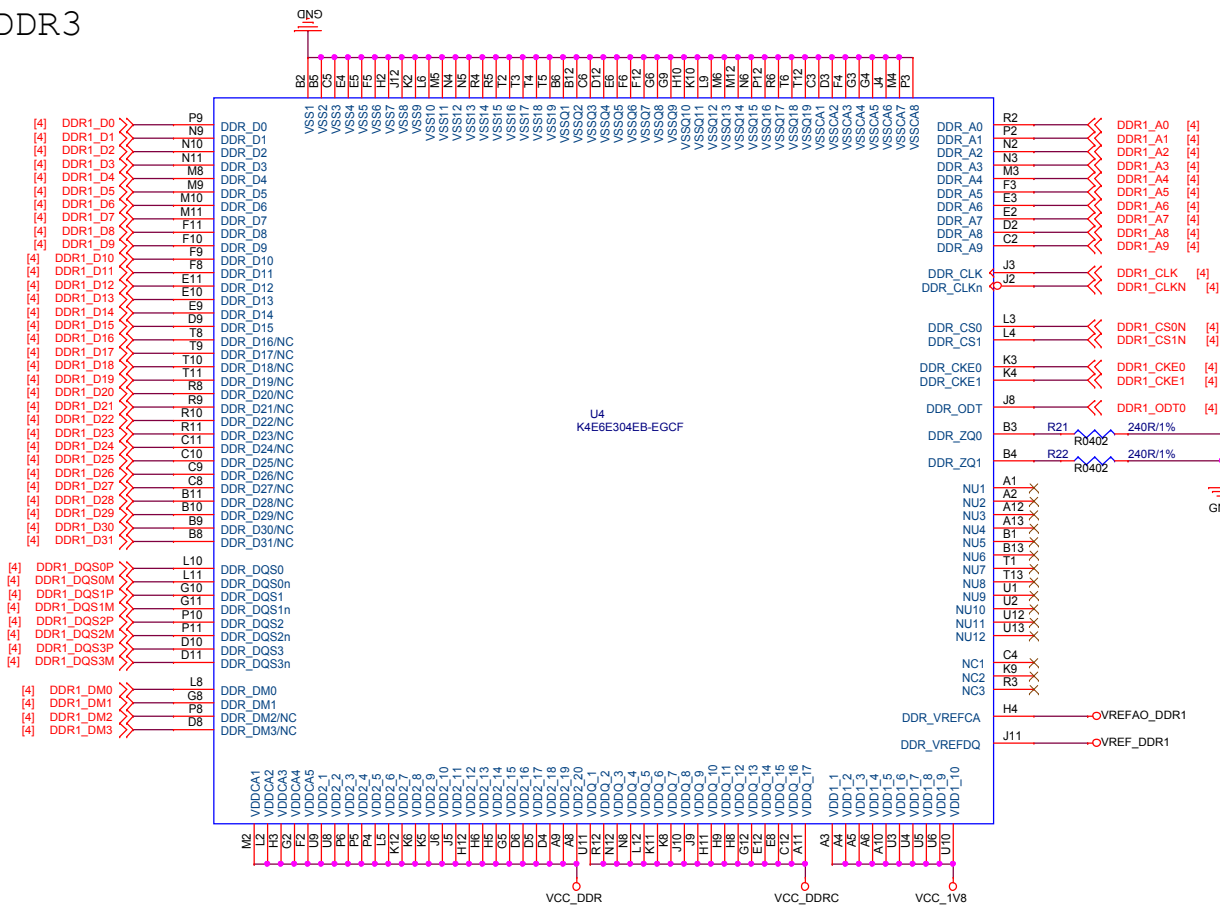
DDR FILTER

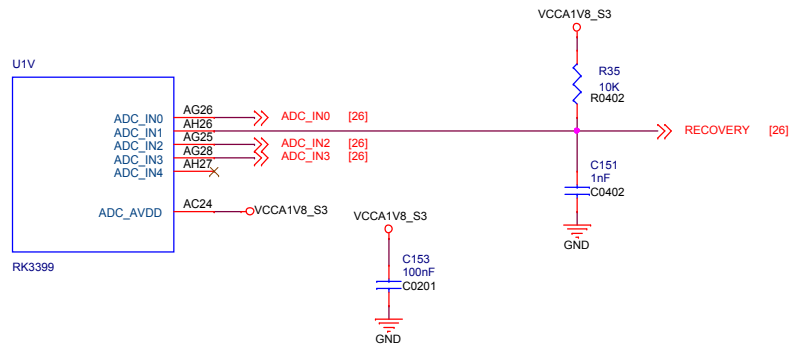
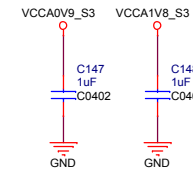
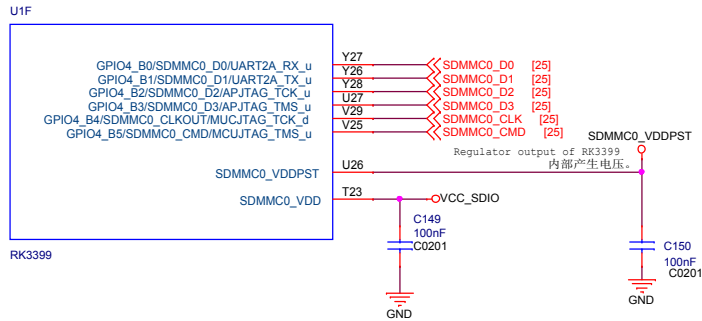
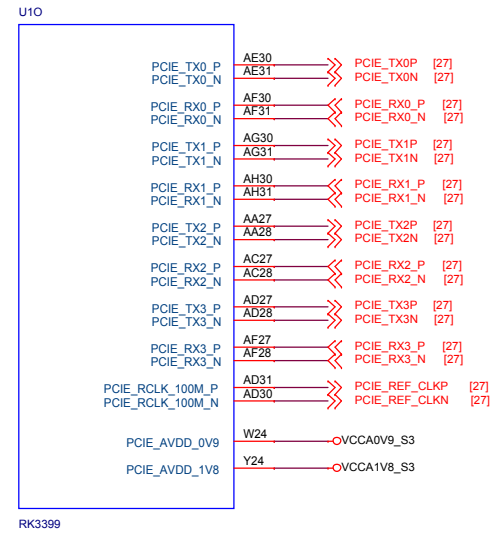
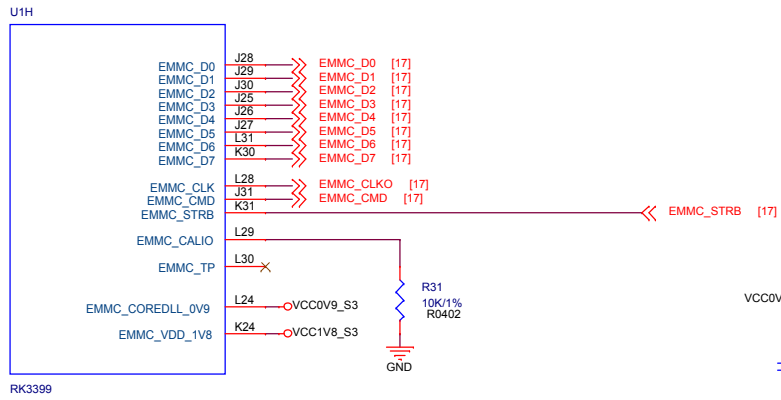


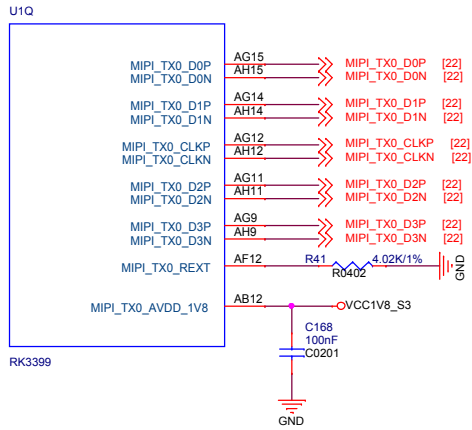
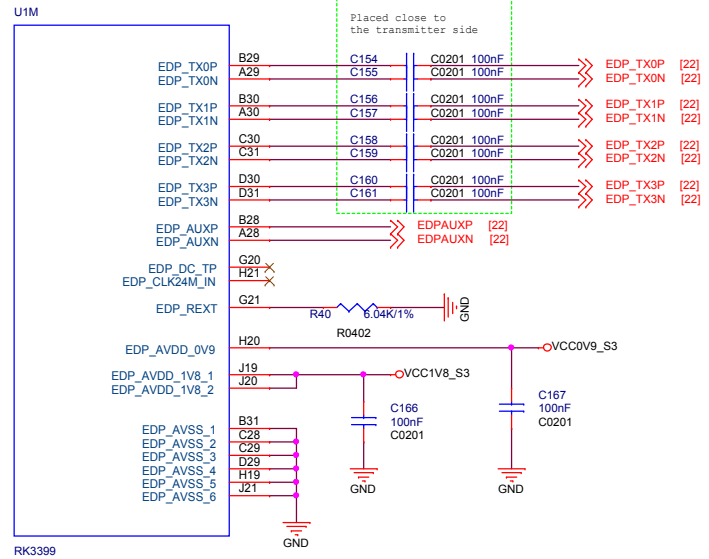
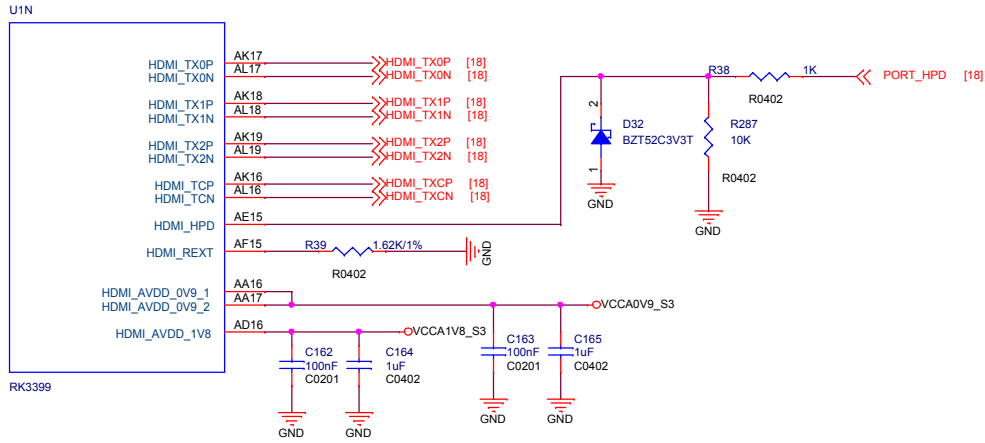
# LPDDR3



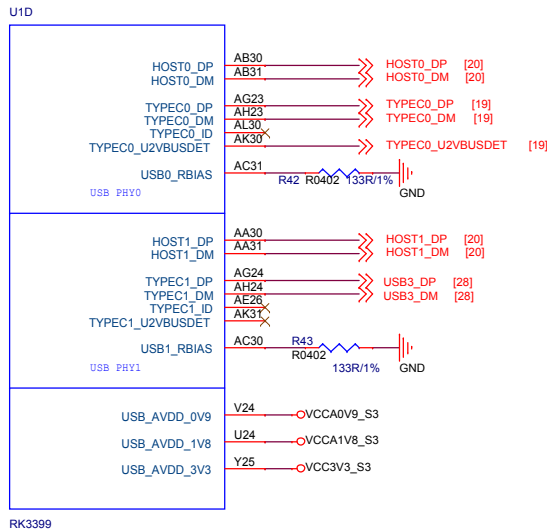
# LPDDR3



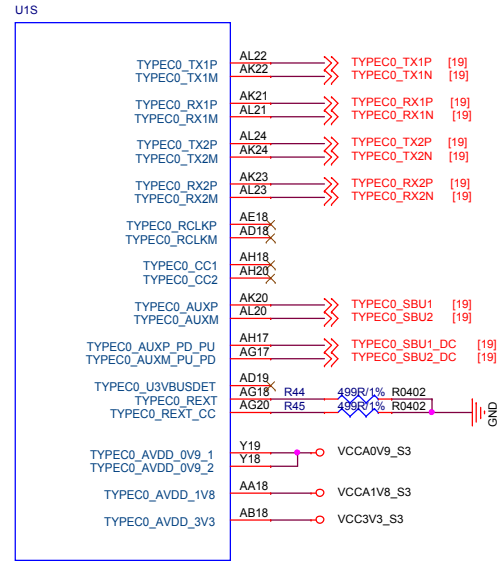
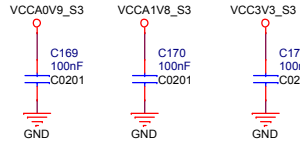




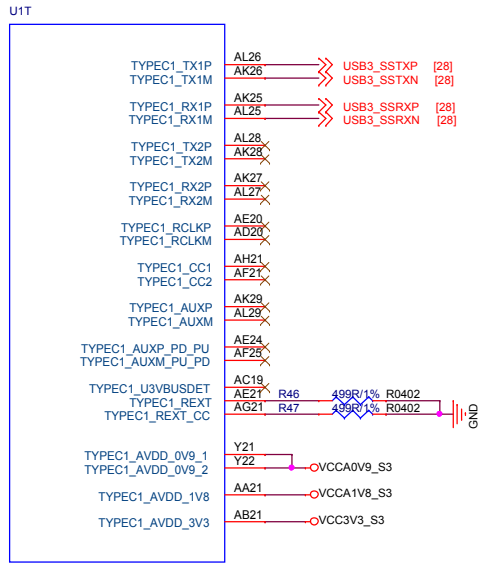
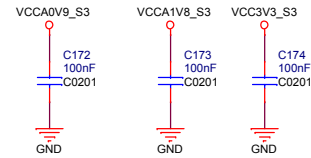




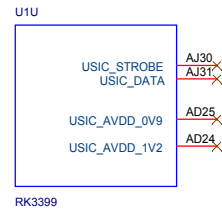
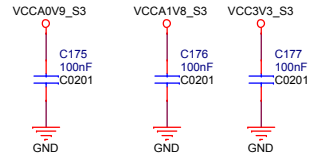
RK3399



RK3399

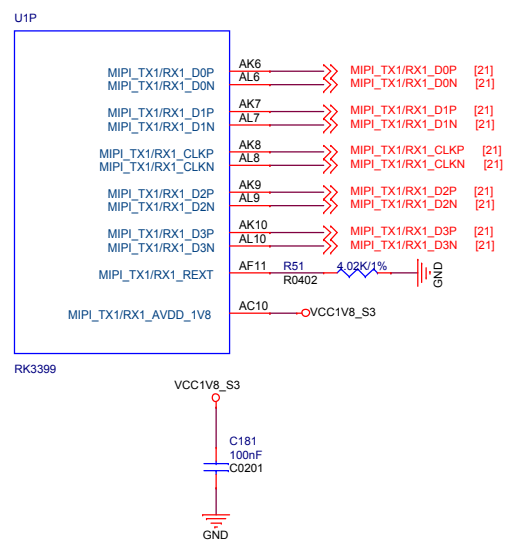
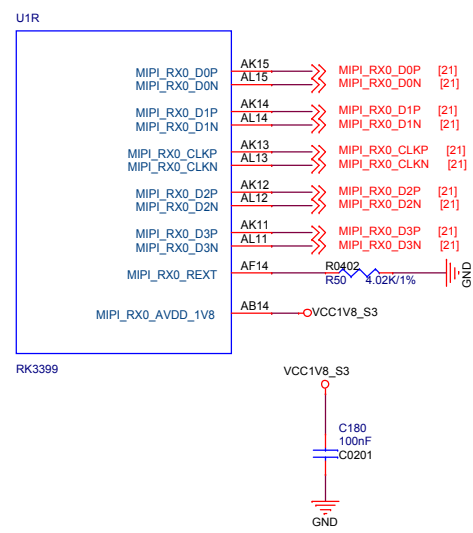
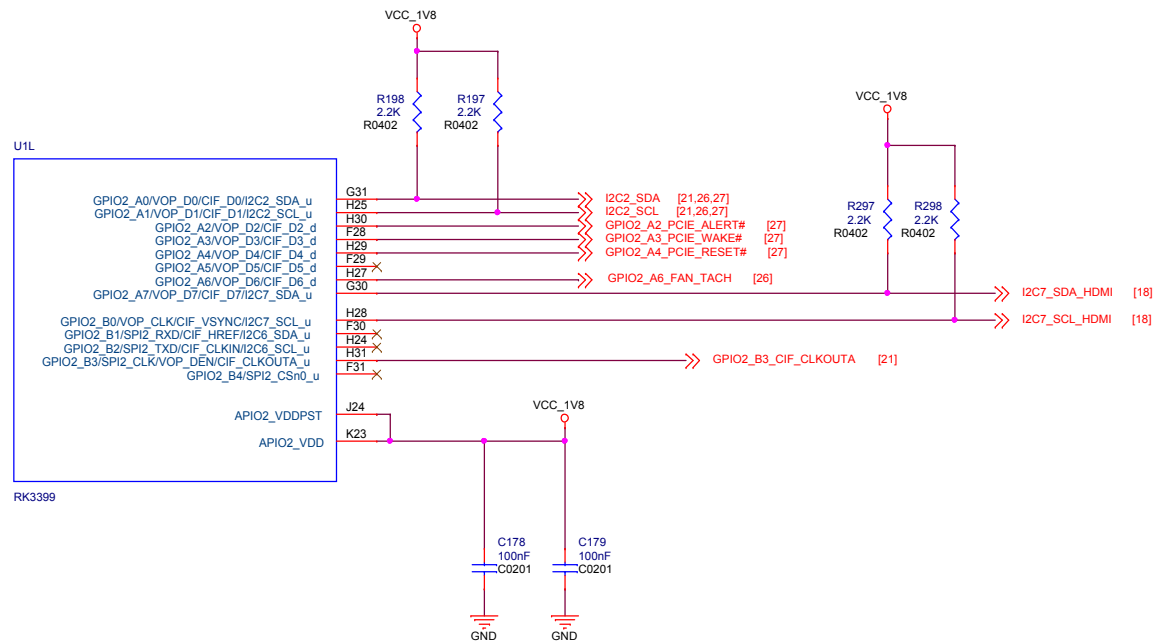


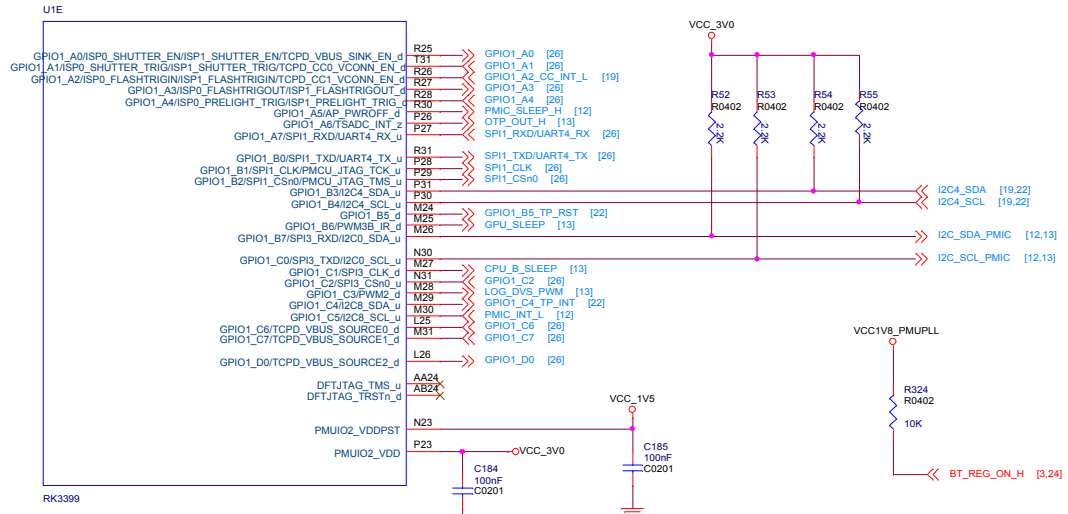
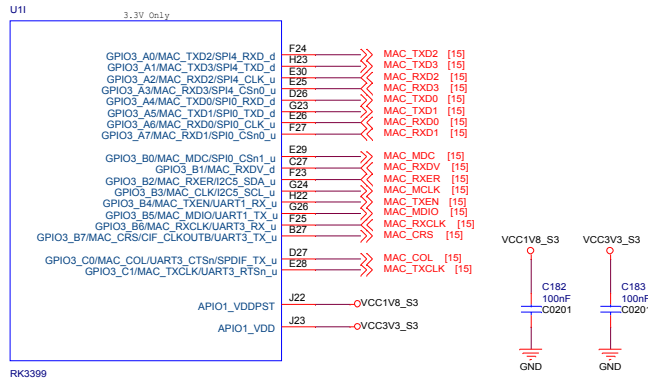
RK3399



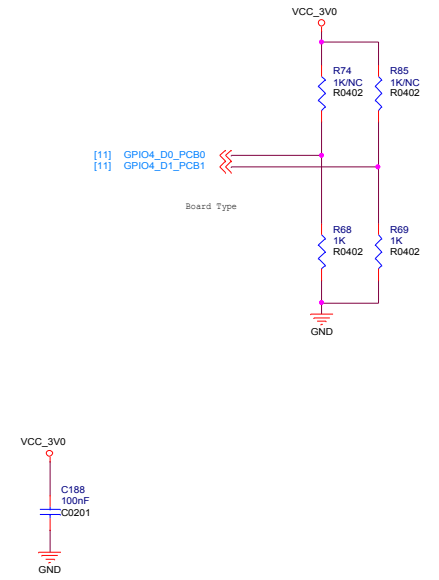
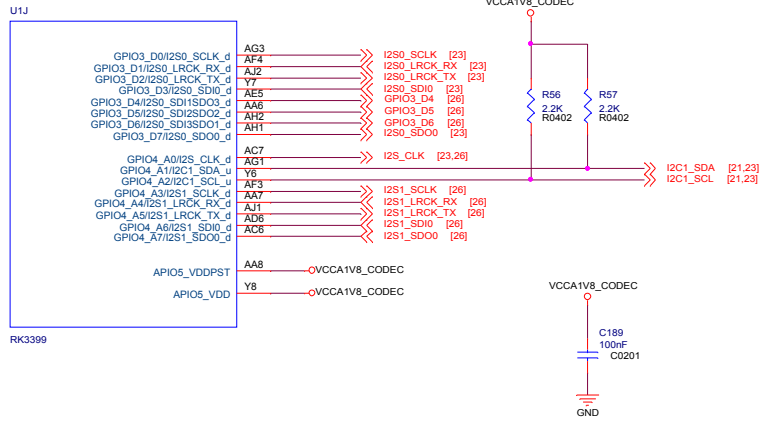
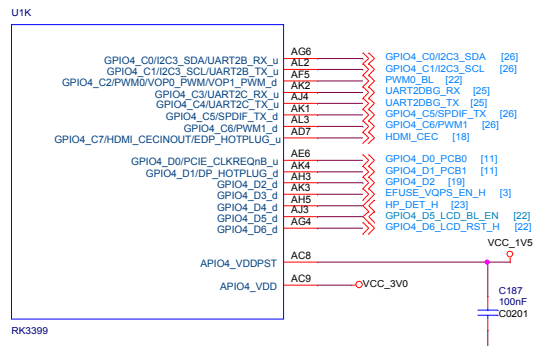
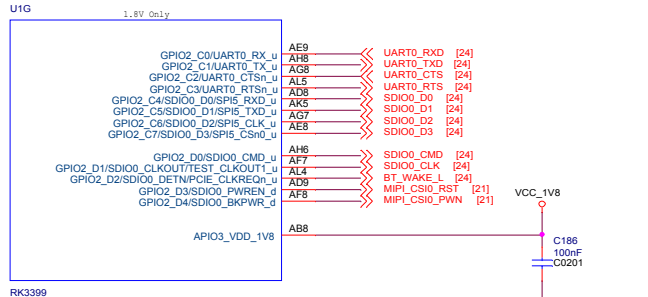
RK3399

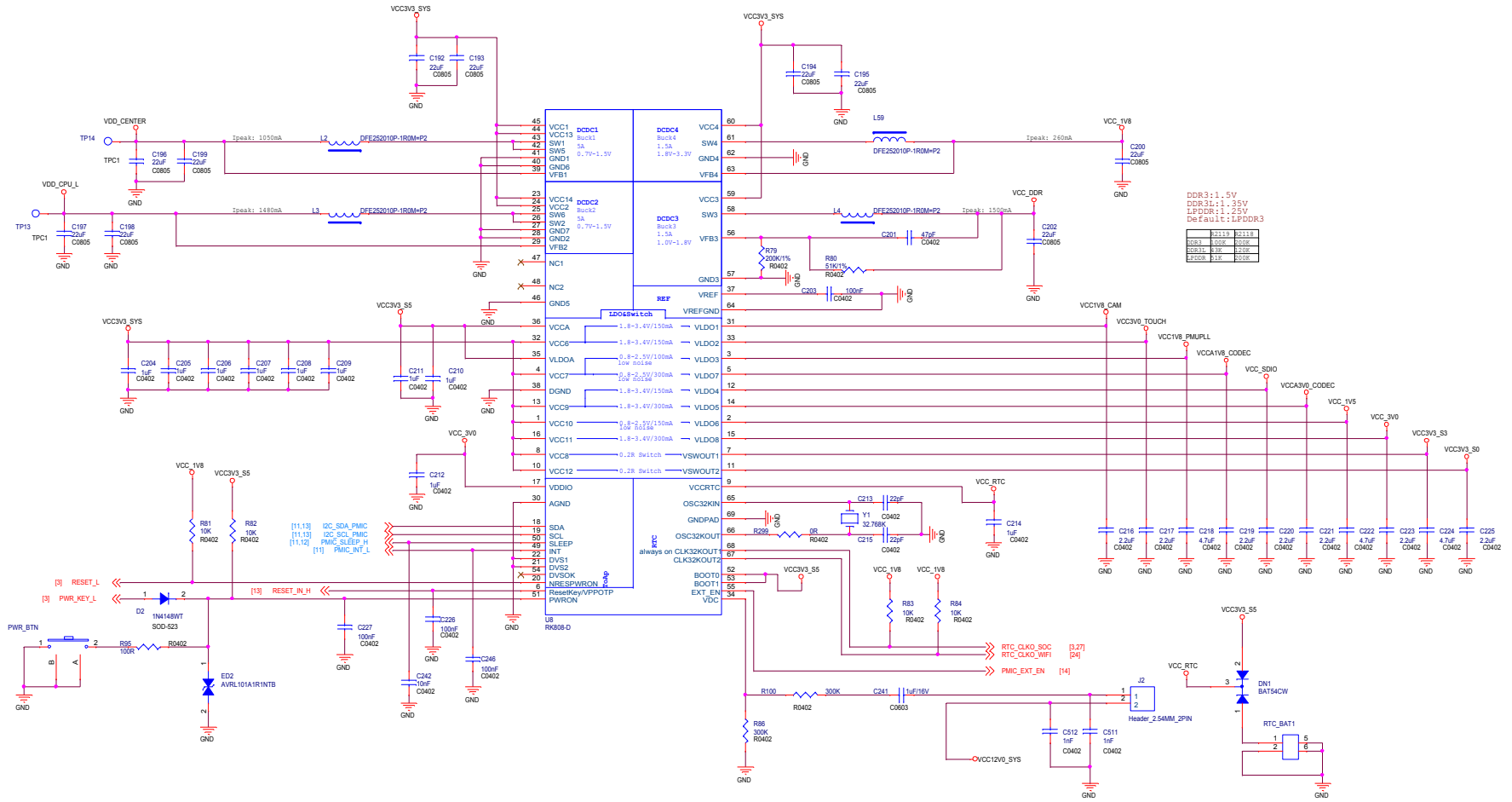






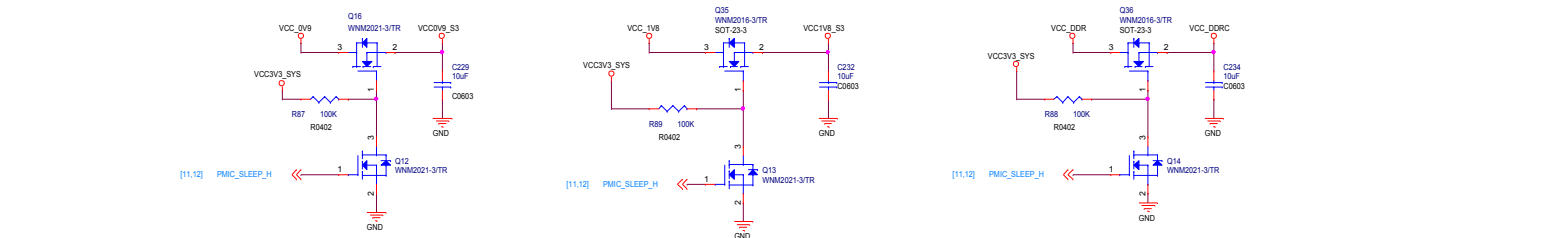
1.8V Only	VDDPST=VDDIO=1.8V
3.3V Only	VDDPST=1.8V, VDDIO=3.3V
other	3.0V mode: VDDPST=1.5V, VDDIO=3.3V 1.8V mode: VDDPST=1.8V, VDDIO=1.8V

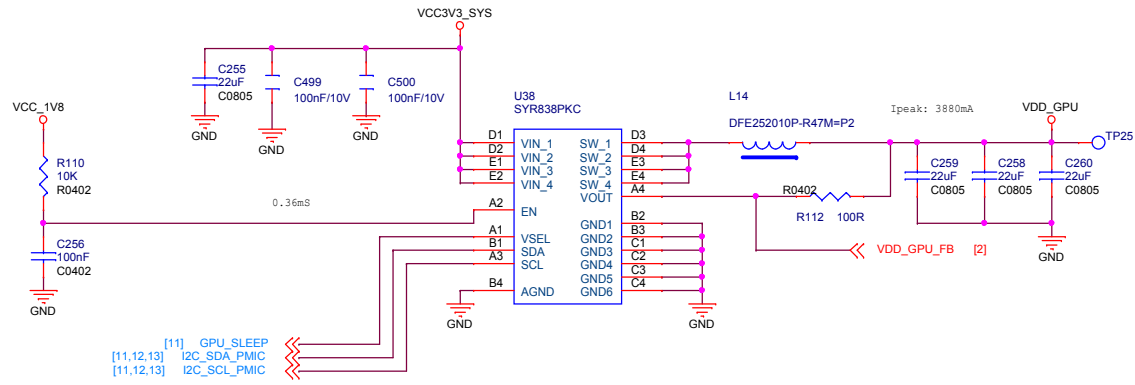




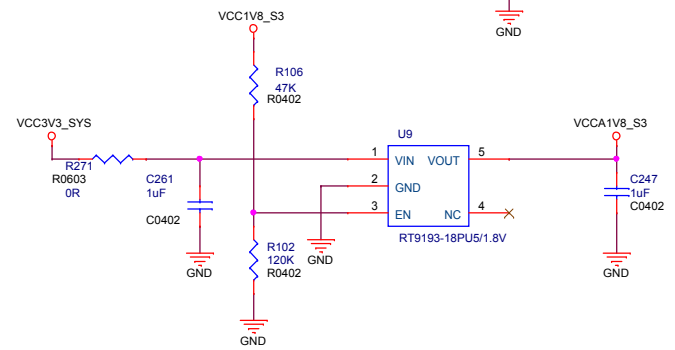
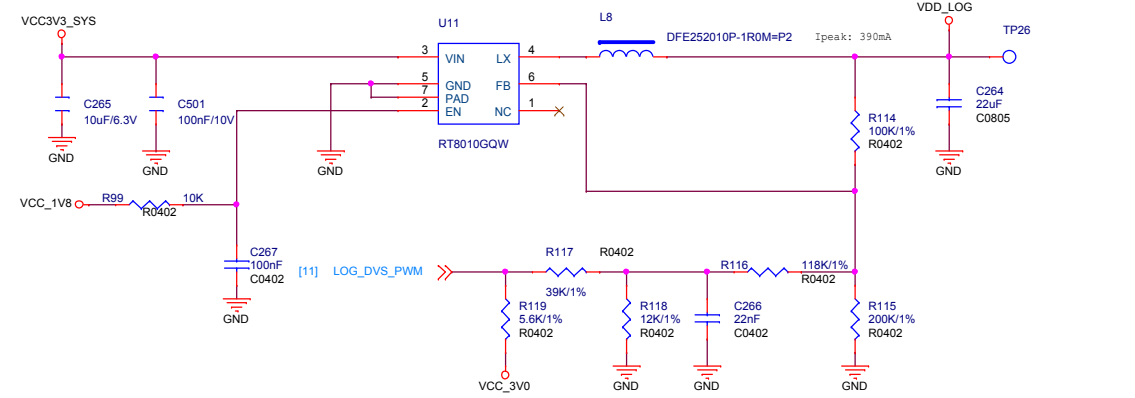
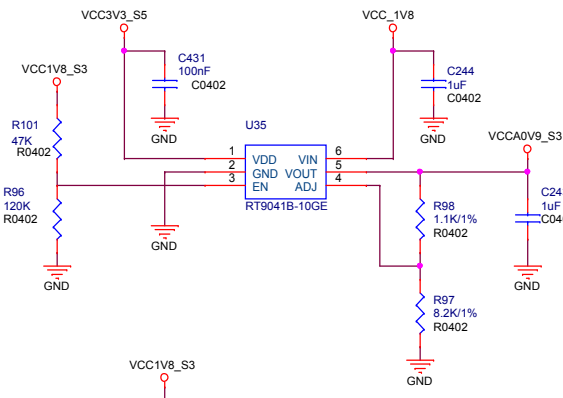
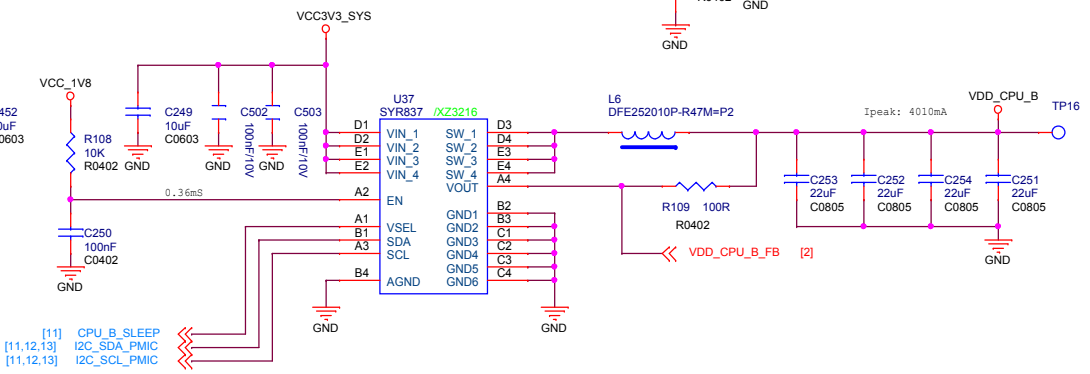
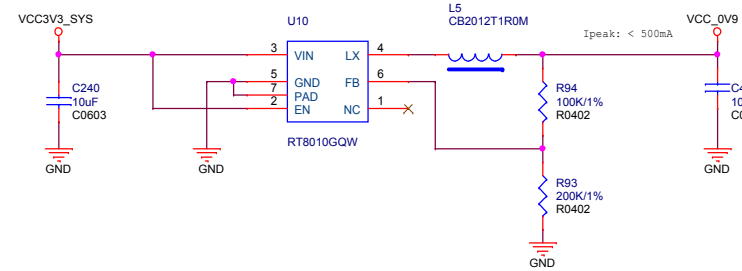
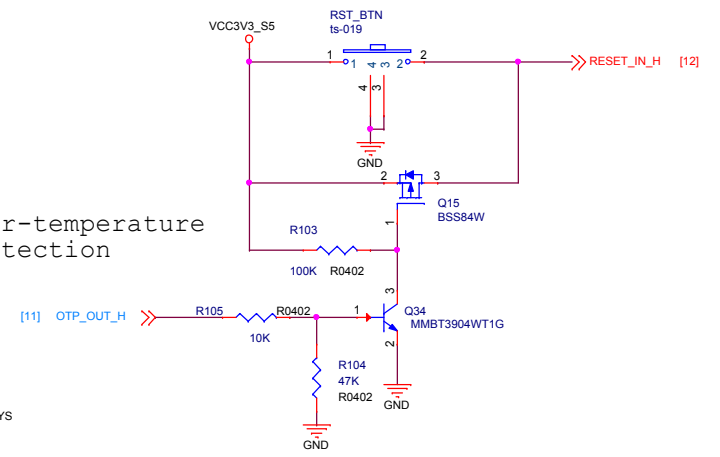
DDR3:1.5V  
 DDR3L:1.35V  
 LPDDR:1.25V  
 Default:1LPDDR3

	B113	B115
DDR3	004	004P
DDR3L	00P	00P
LPDDR	00P	00P

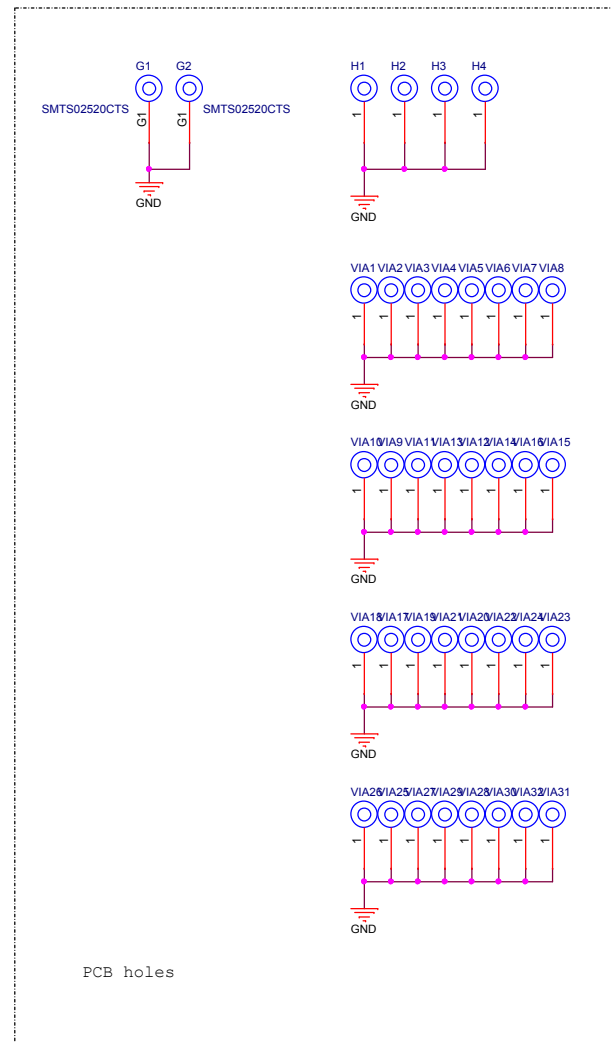
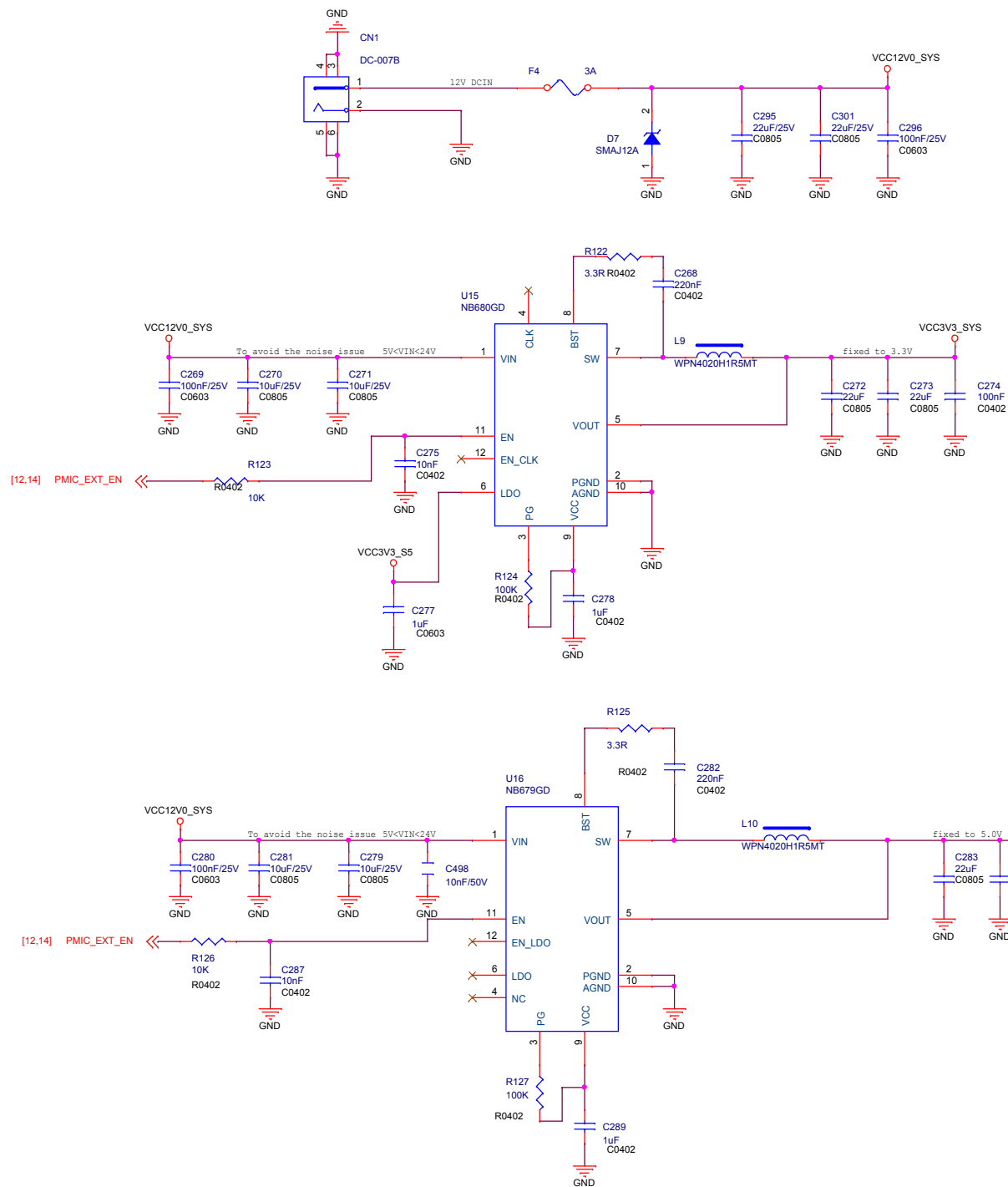




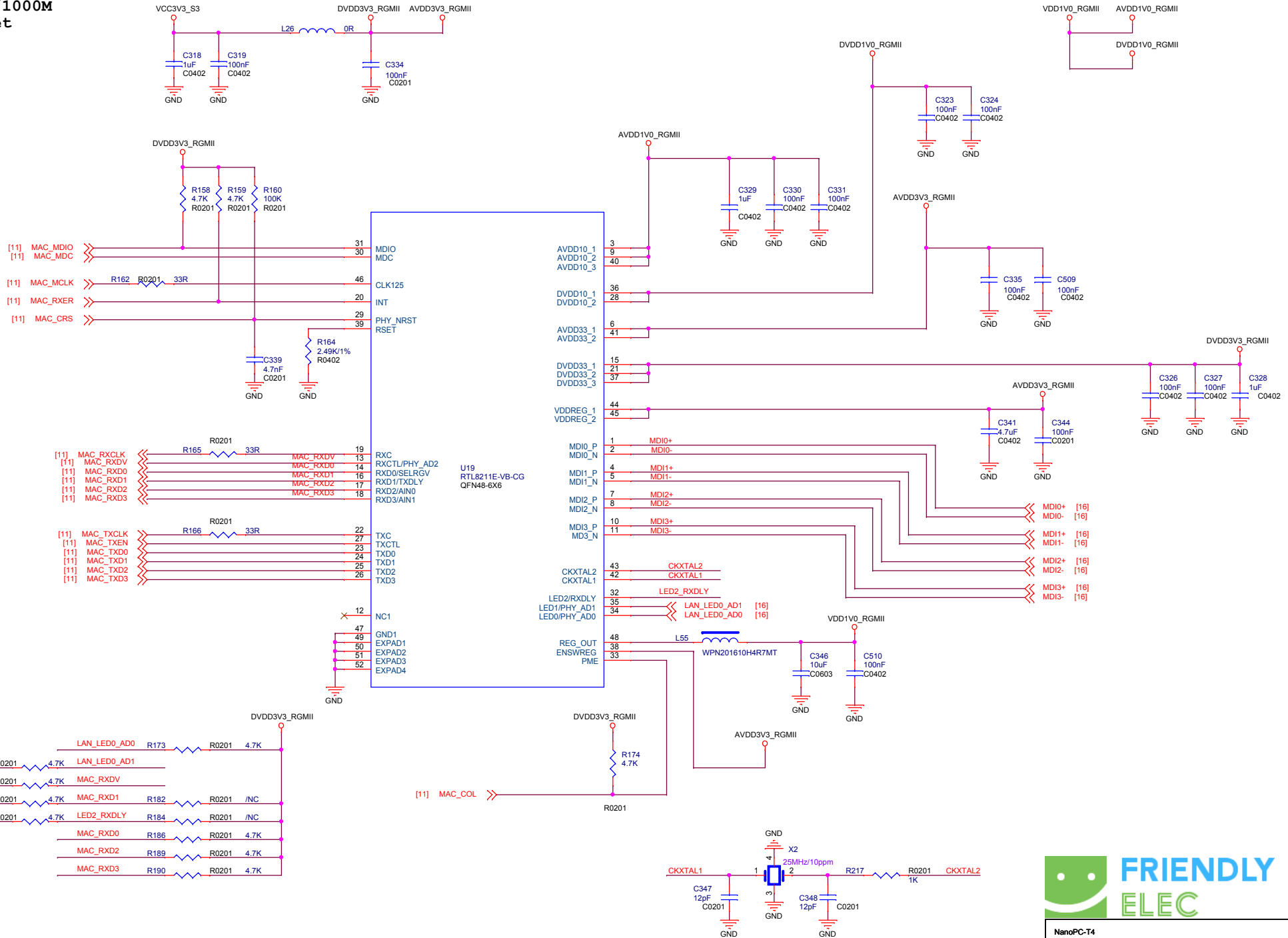
### Over-temperature Protection



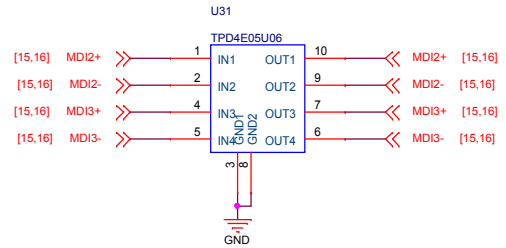
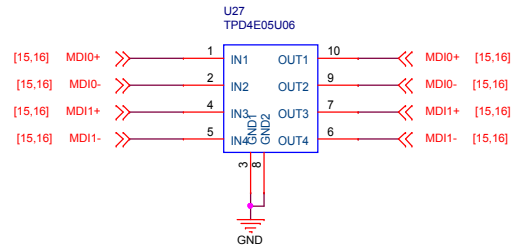
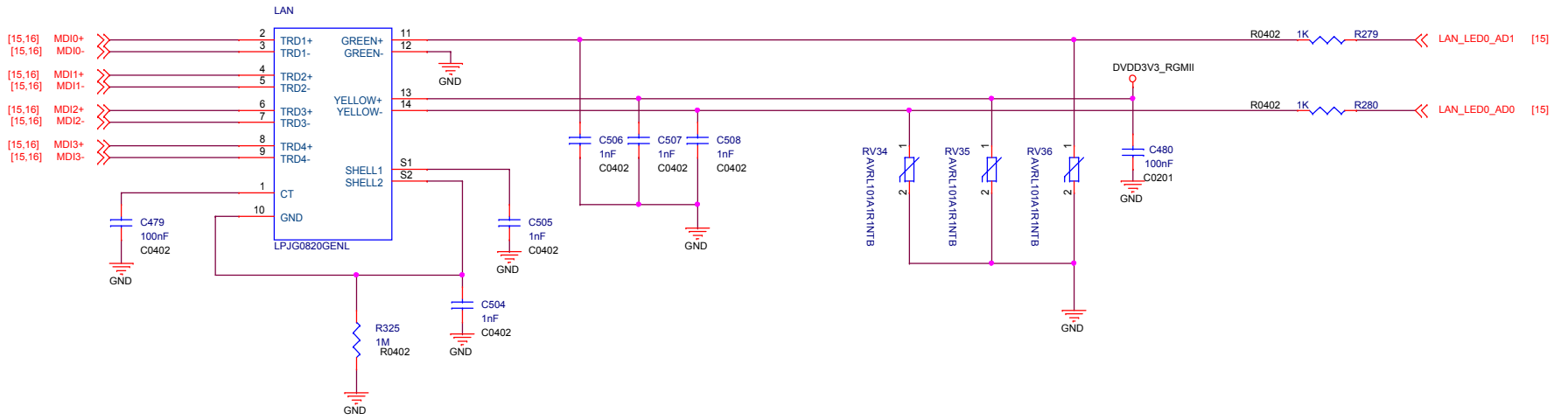
NanoPC-T4		
Size A3	Document Number 13.Power2-CPU/GPU/etc	Rev 1902
Date:	Tuesday, May 21, 2019	Sheet 13 of 28



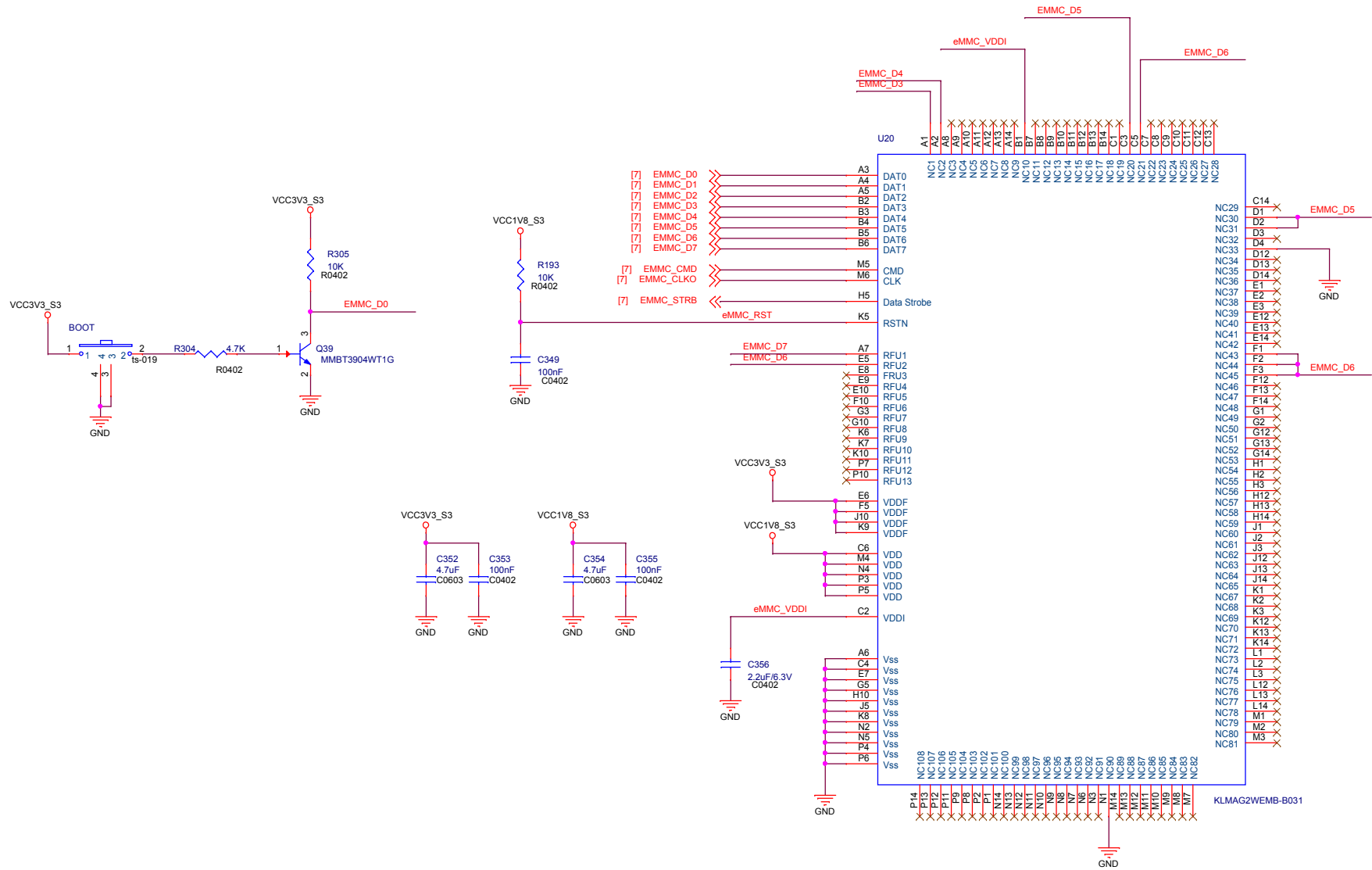
# 10/100/1000M Ethernet



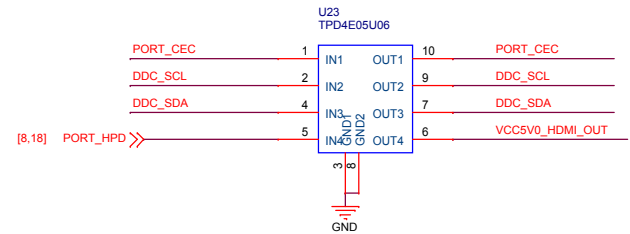
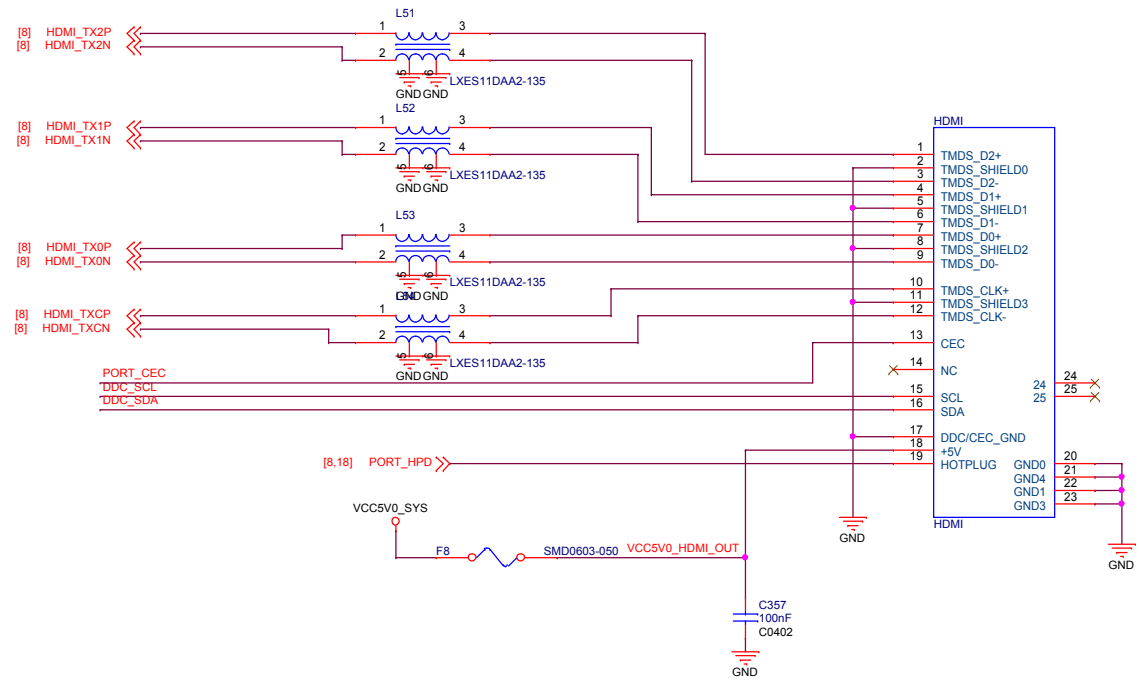
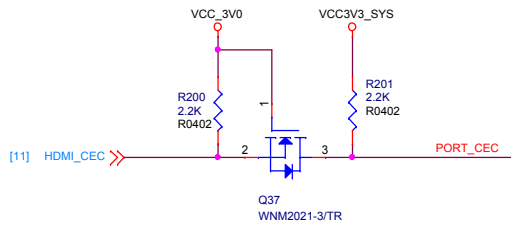
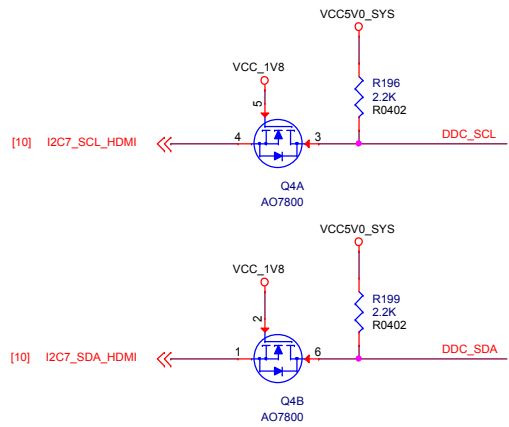
NanoPC-T4		
Size A3	Document Number 15.RGMII-10/100/1000M	Rev 1902
Date: Tuesday, May 21, 2019	Sheet 15	of 28



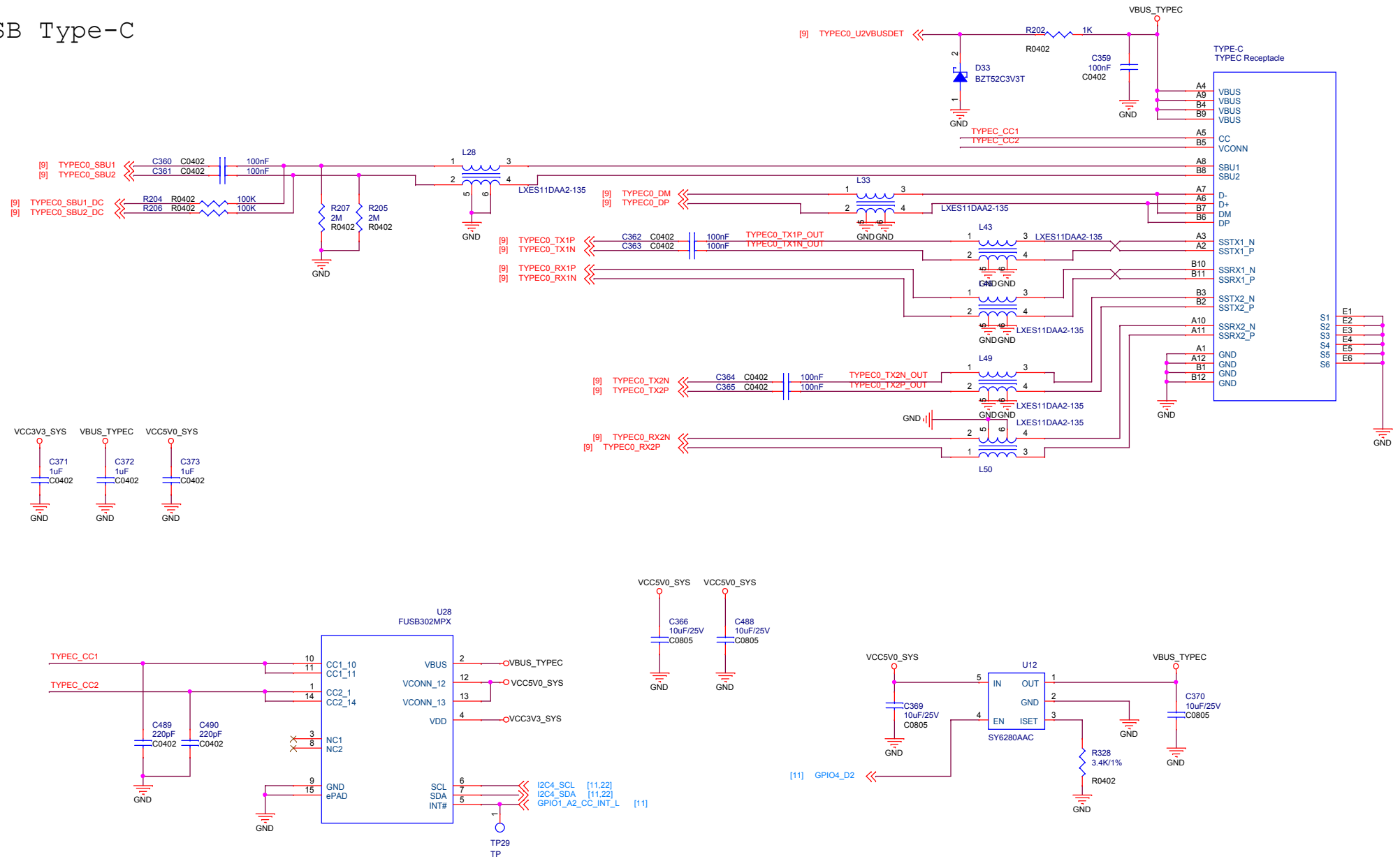




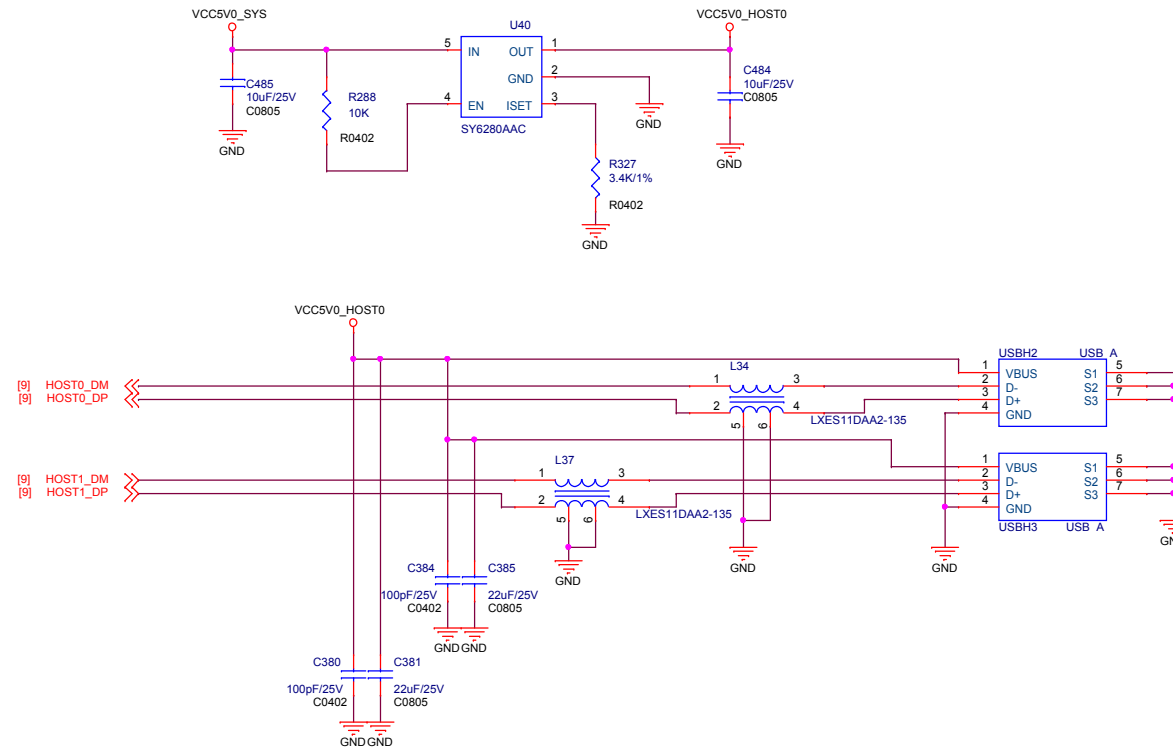
# HDMI Port



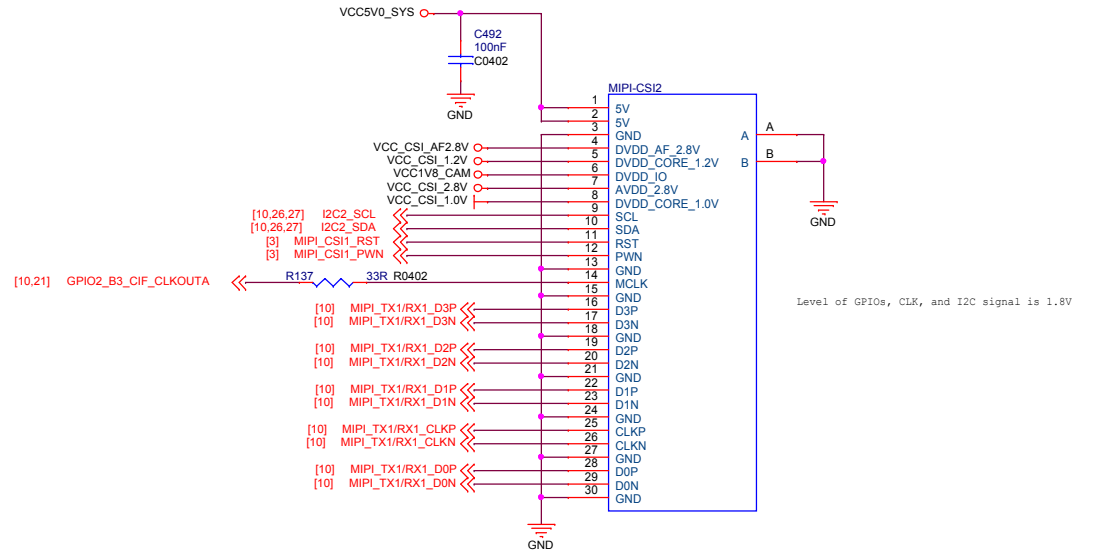
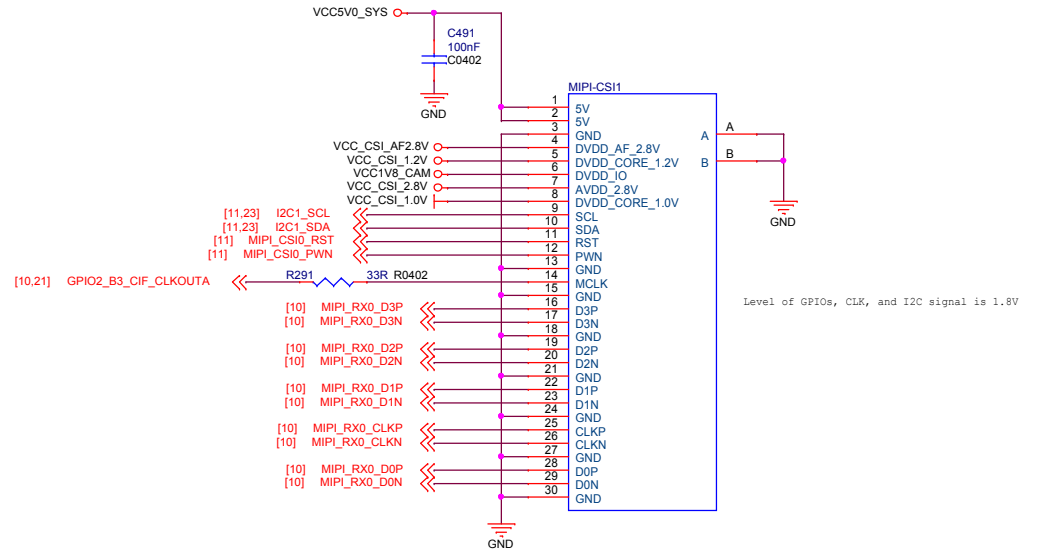
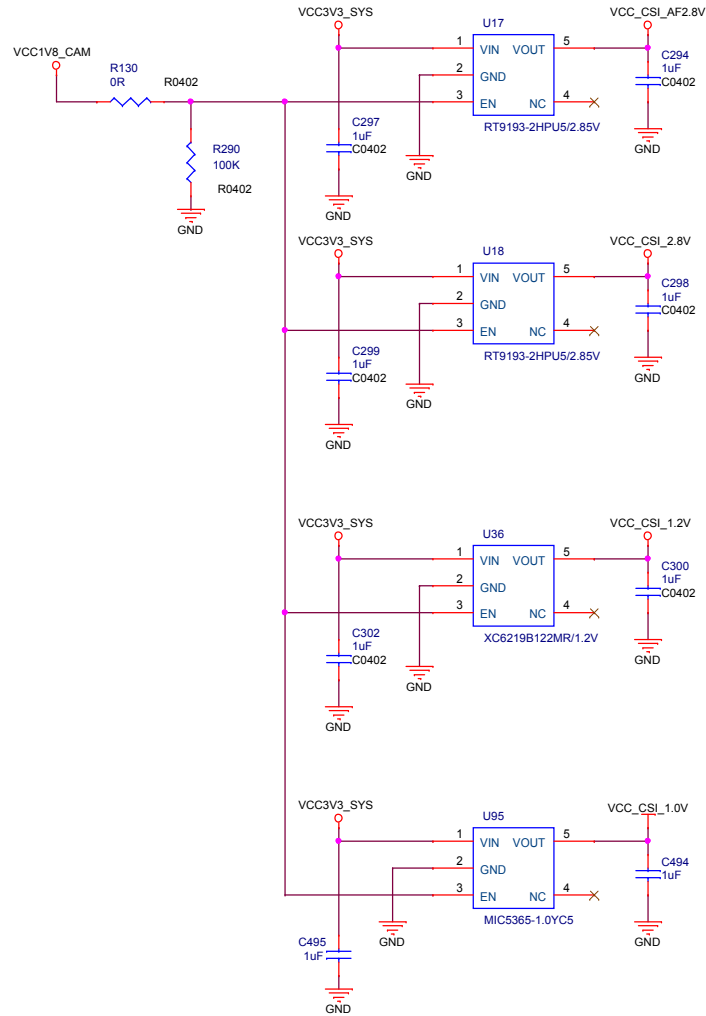
# USB Type-C

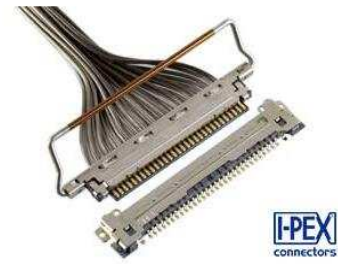
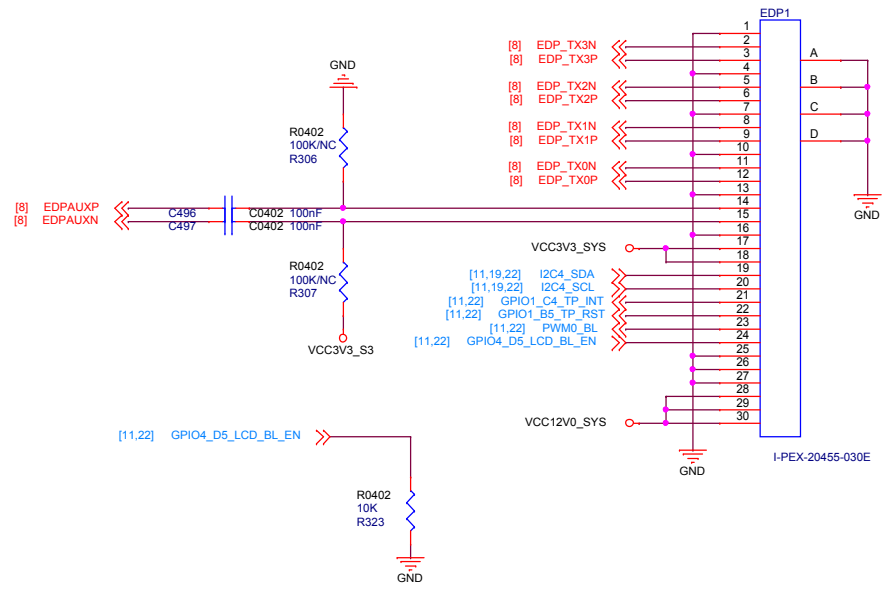
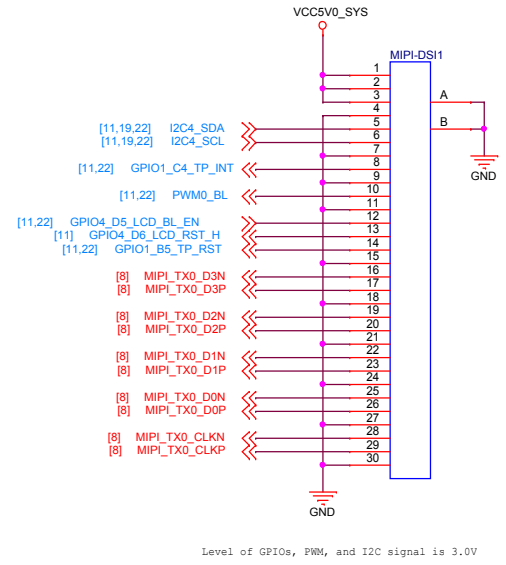


# USB2.0 Host



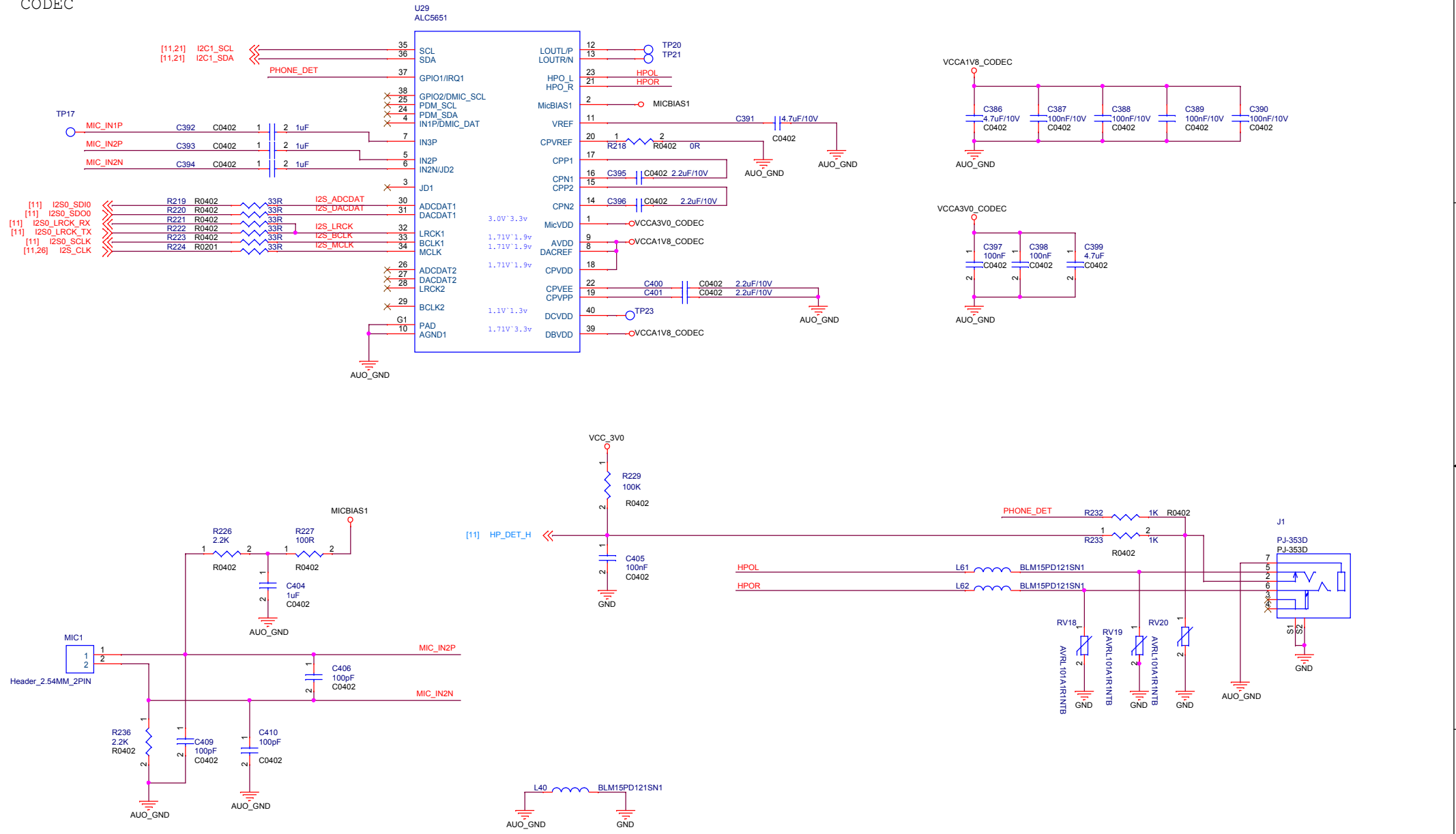
# MIPI-CSI



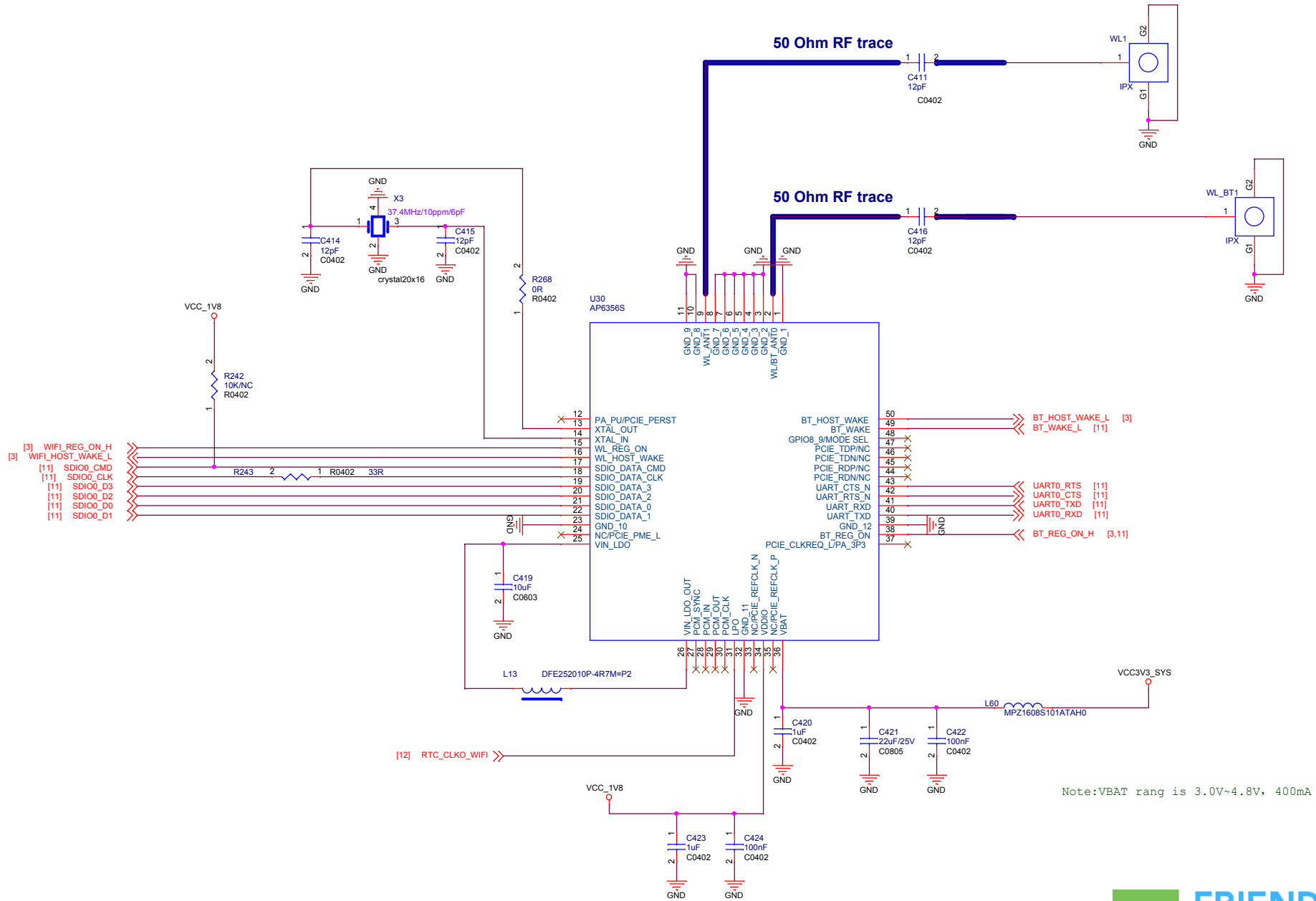


NanoPC-T4		
Size A3	Document Number 22.eDP/MIPI-DSI	Rev 1902
Date: Tuesday, May 21, 2019	Sheet 22	of 28

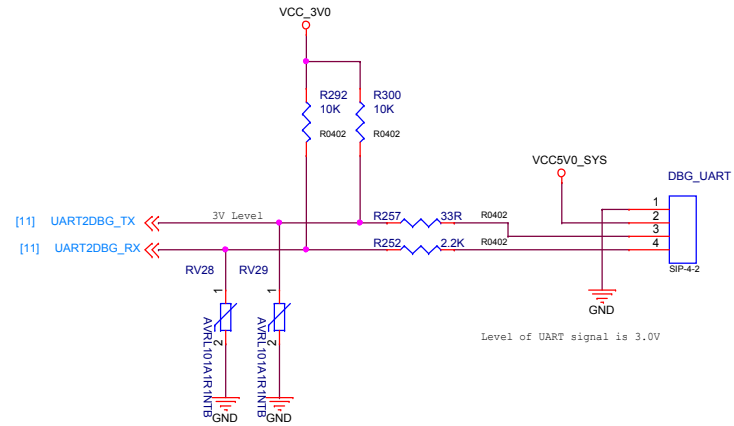
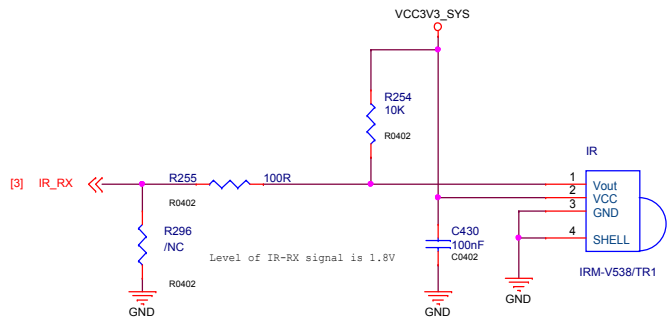
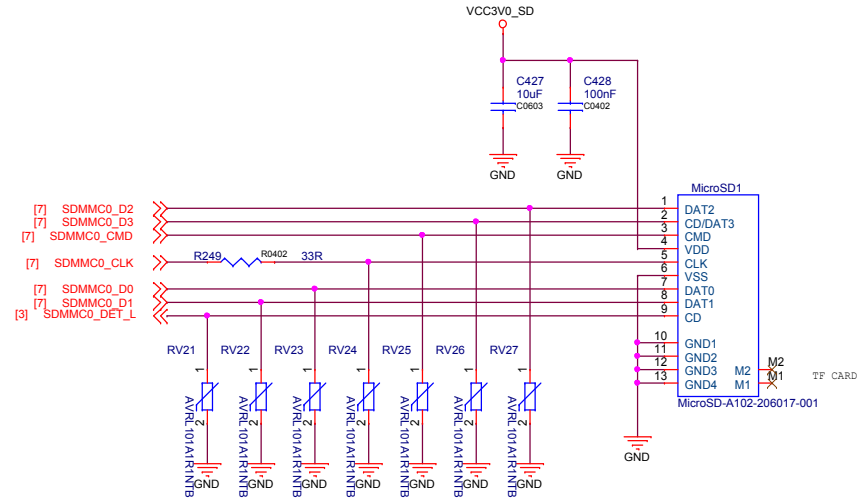
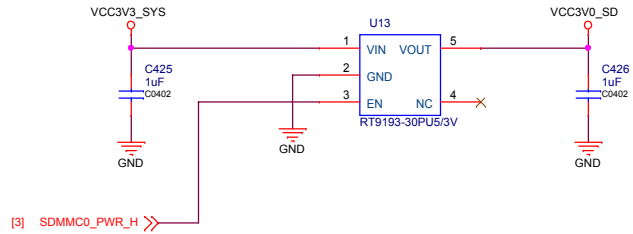
# CODEC

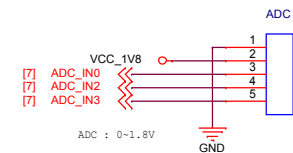
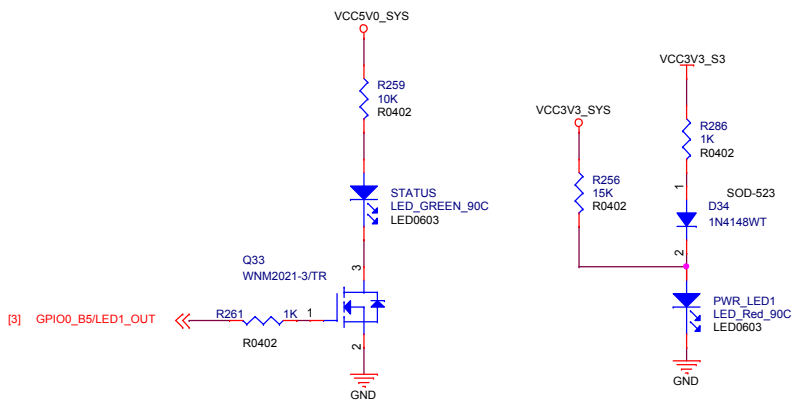
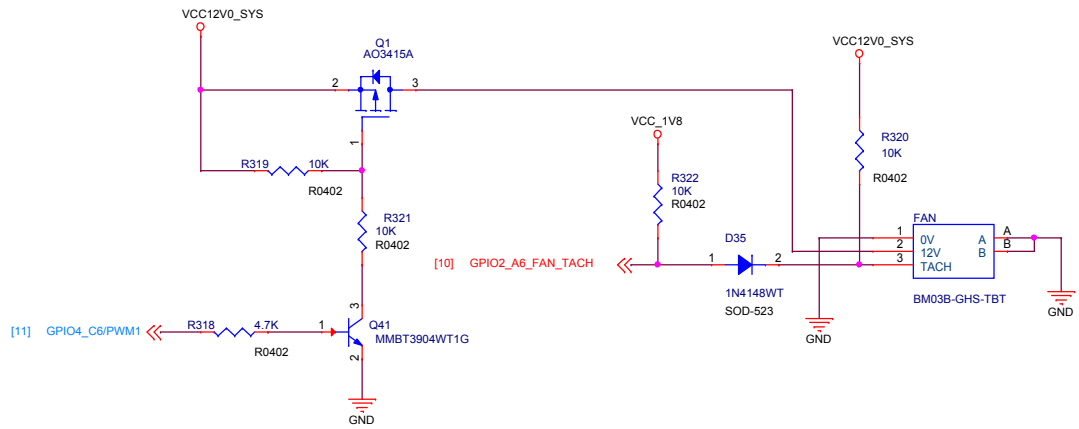
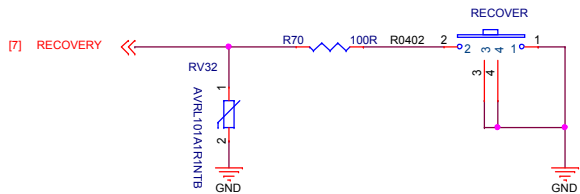
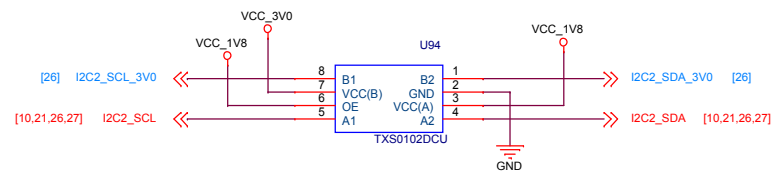
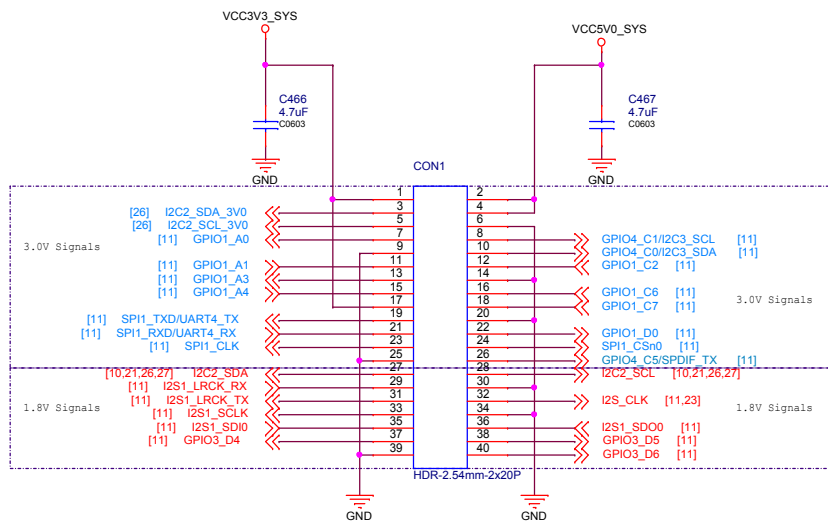


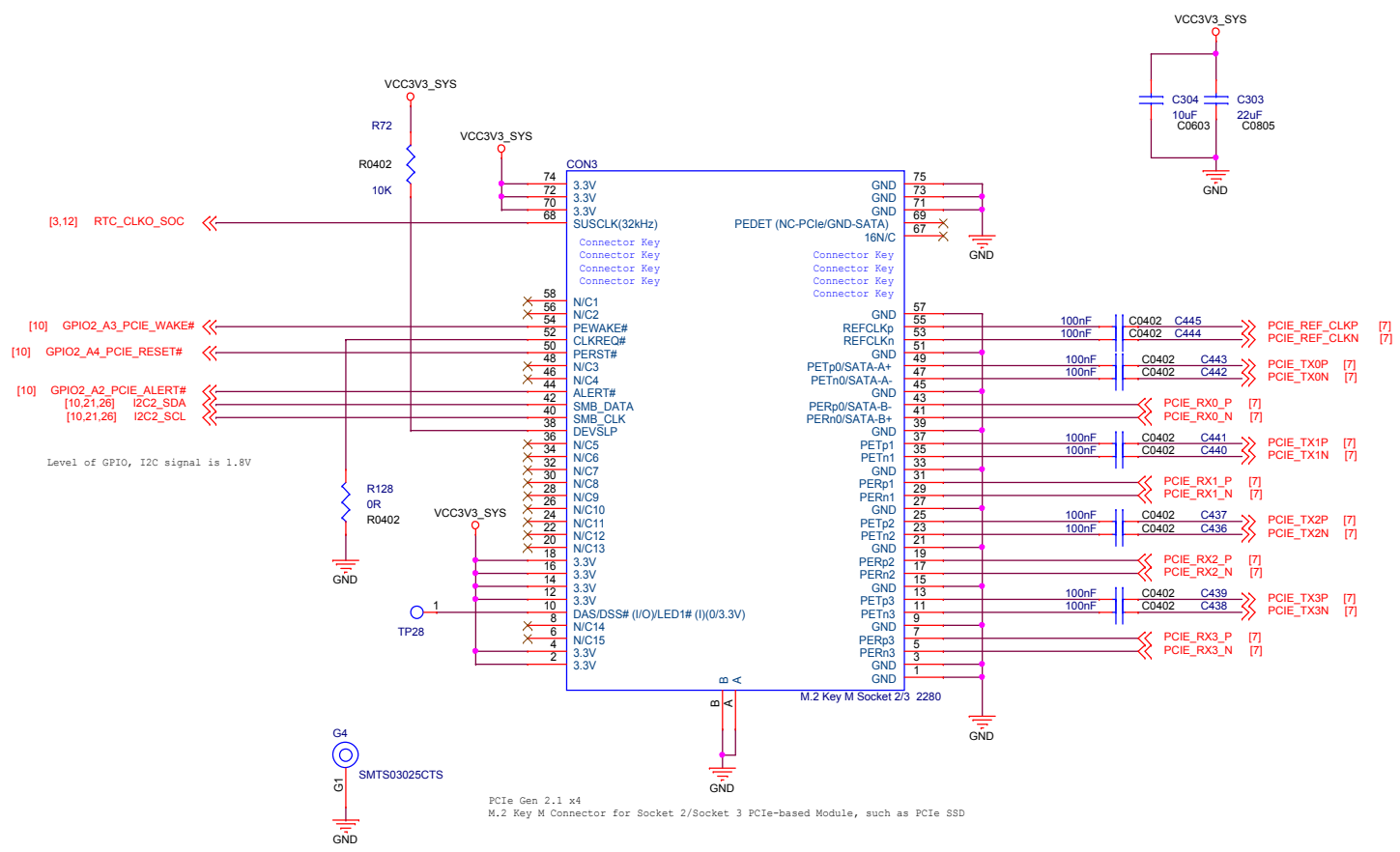
# WIFI/WIFI ac/BT MODULE











# USB3.0 Host

