

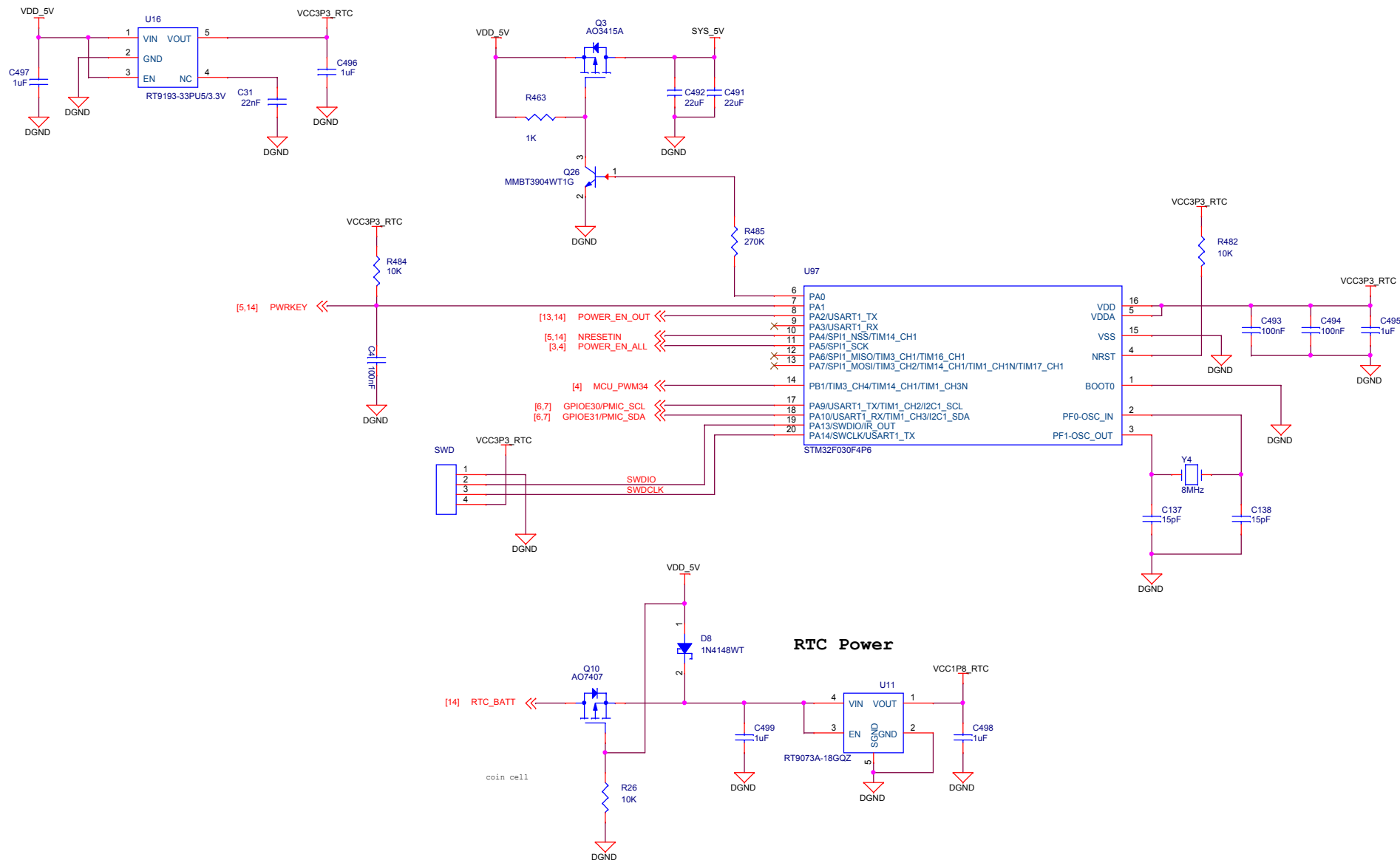
# Smart4418/6818

2020/01/13:

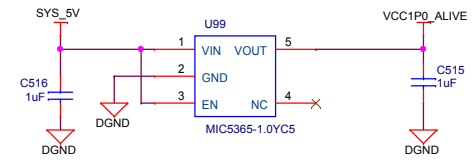
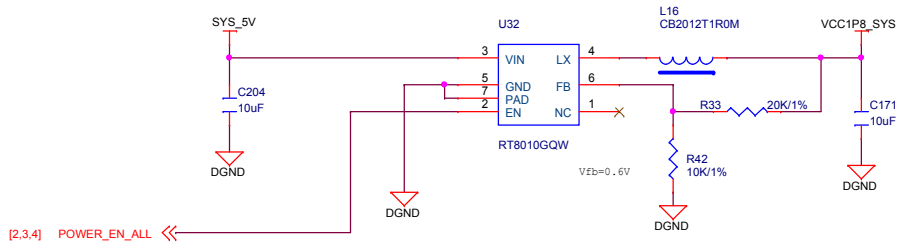
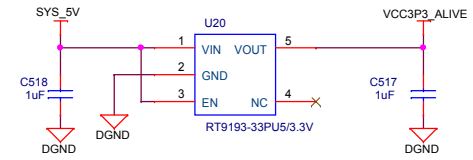
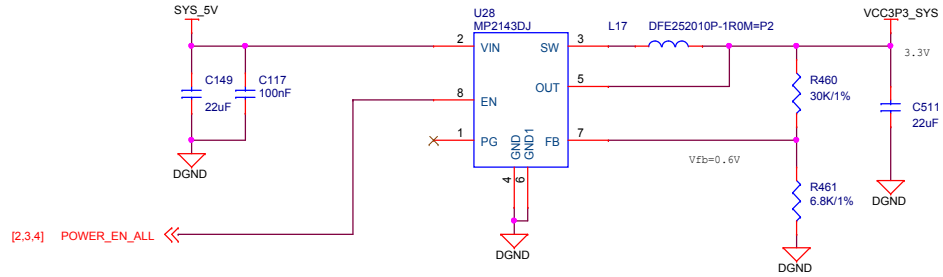
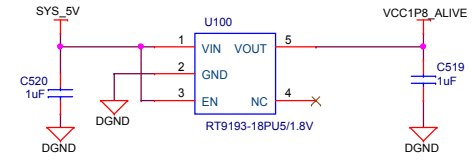
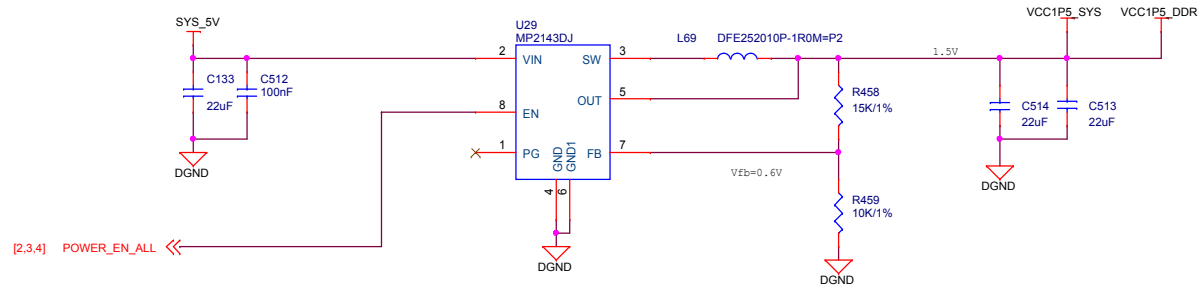
R463 -> 1K, R485 -> 270K, R150 -> NC, C168 -> 10K  
for Smart4418, R486 -> 100K/1%

**FRIENDLYARM**

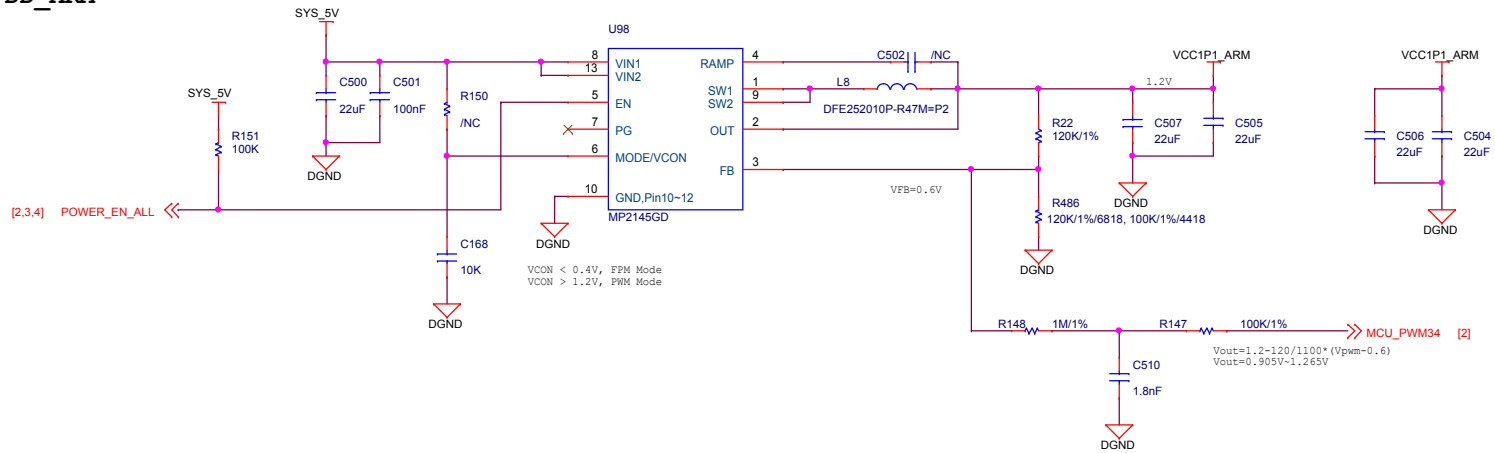
Smart4418/6818		
Size	Document Number	Rev
A3	01.Title	1711
Date:	Monday, January 13, 2020	Sheet 1 of 14



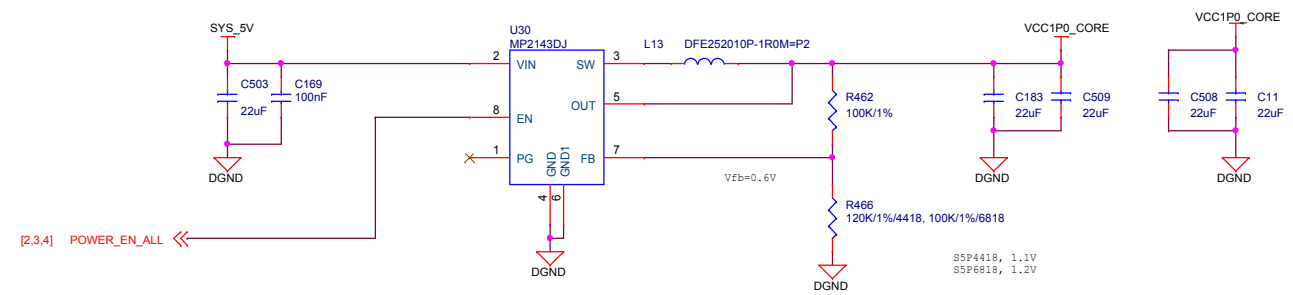
Smart4418/6818		
Size A3	Document Number 02.SPU	Rev 1711
Date: Monday, January 13, 2020	Sheet 2	of 14



VDD\_ARM

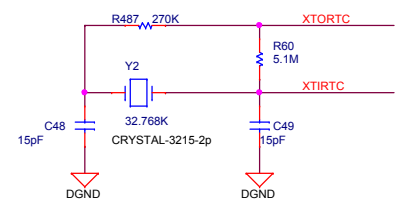
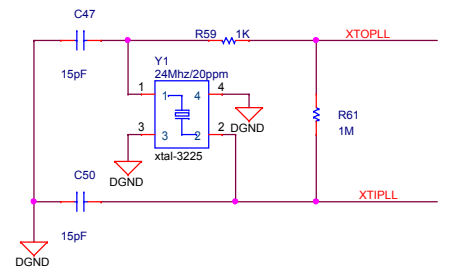
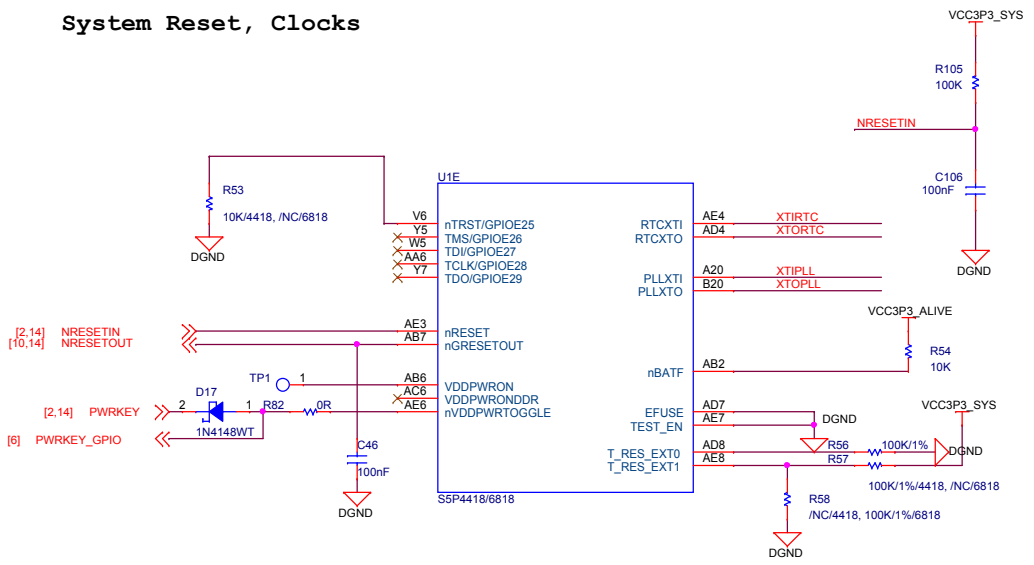


VDD\_CORE

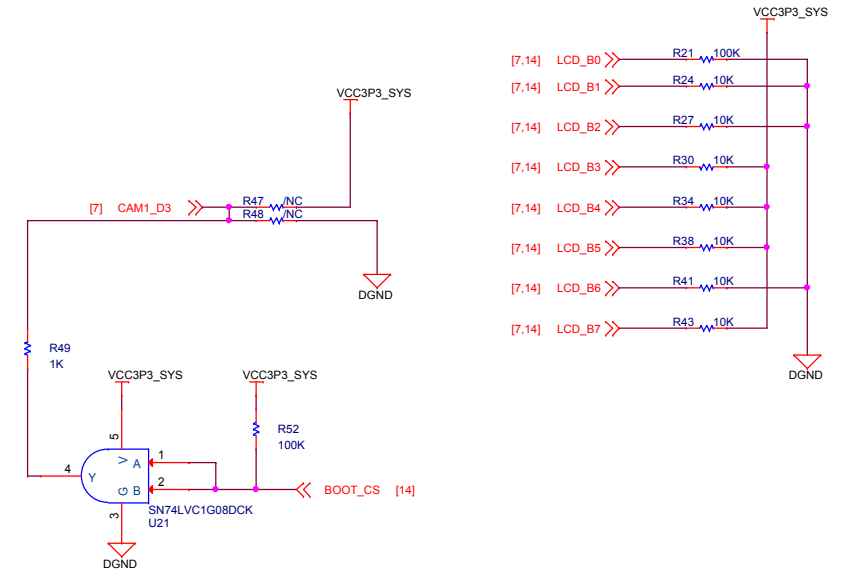


Smart4418/6818		
Size A3	Document Number 04.VDD_ARM/VDD_CORE	Rev 1711
Date: Monday, January 13, 2020	Sheet 4	of 14

# System Reset, Clocks



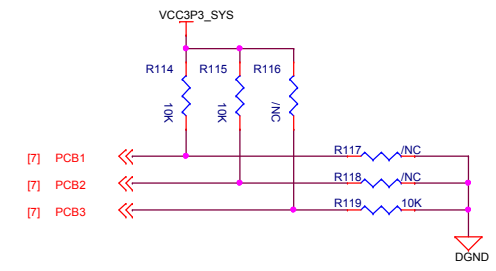
# Boot Mode Config

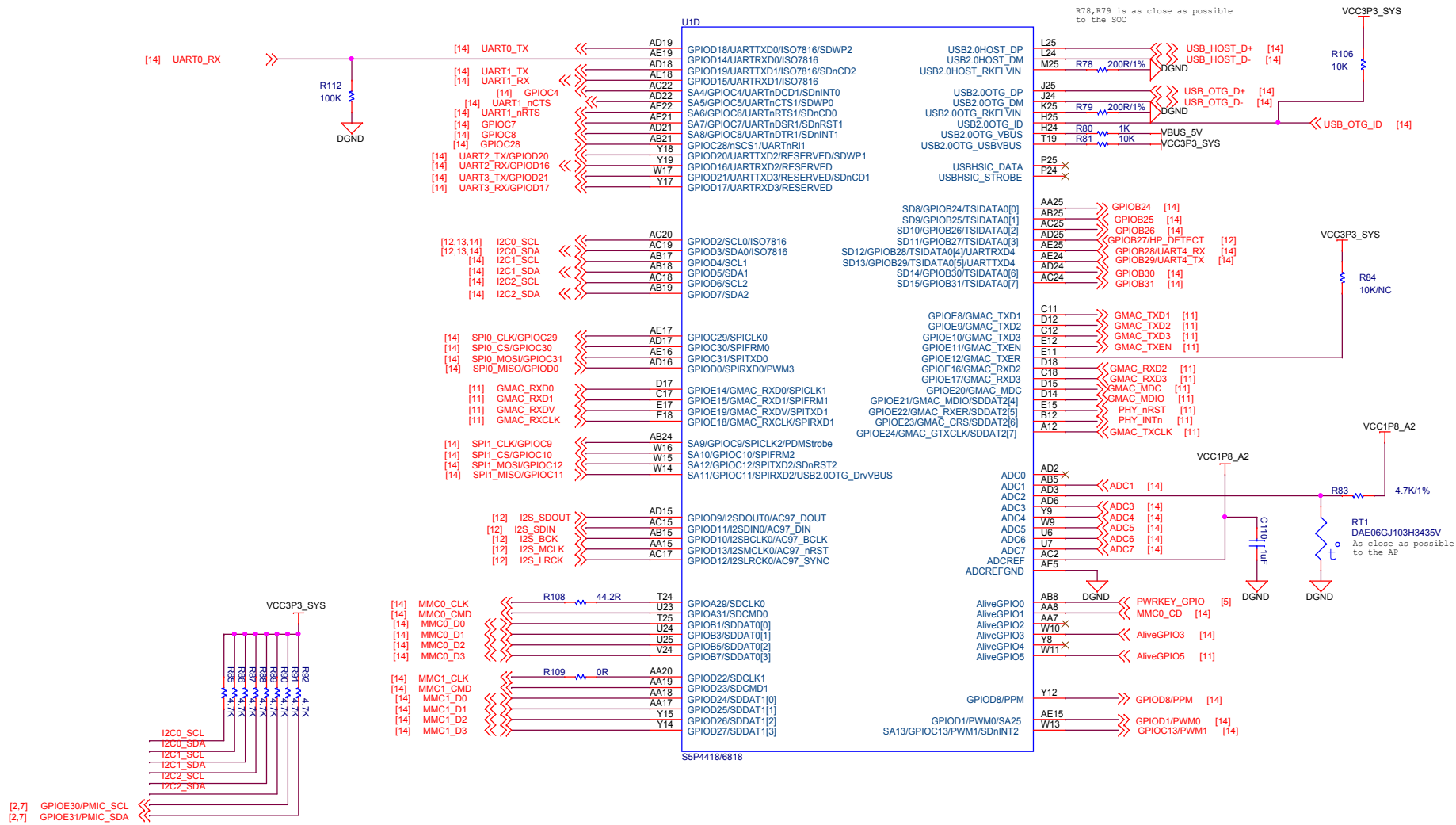


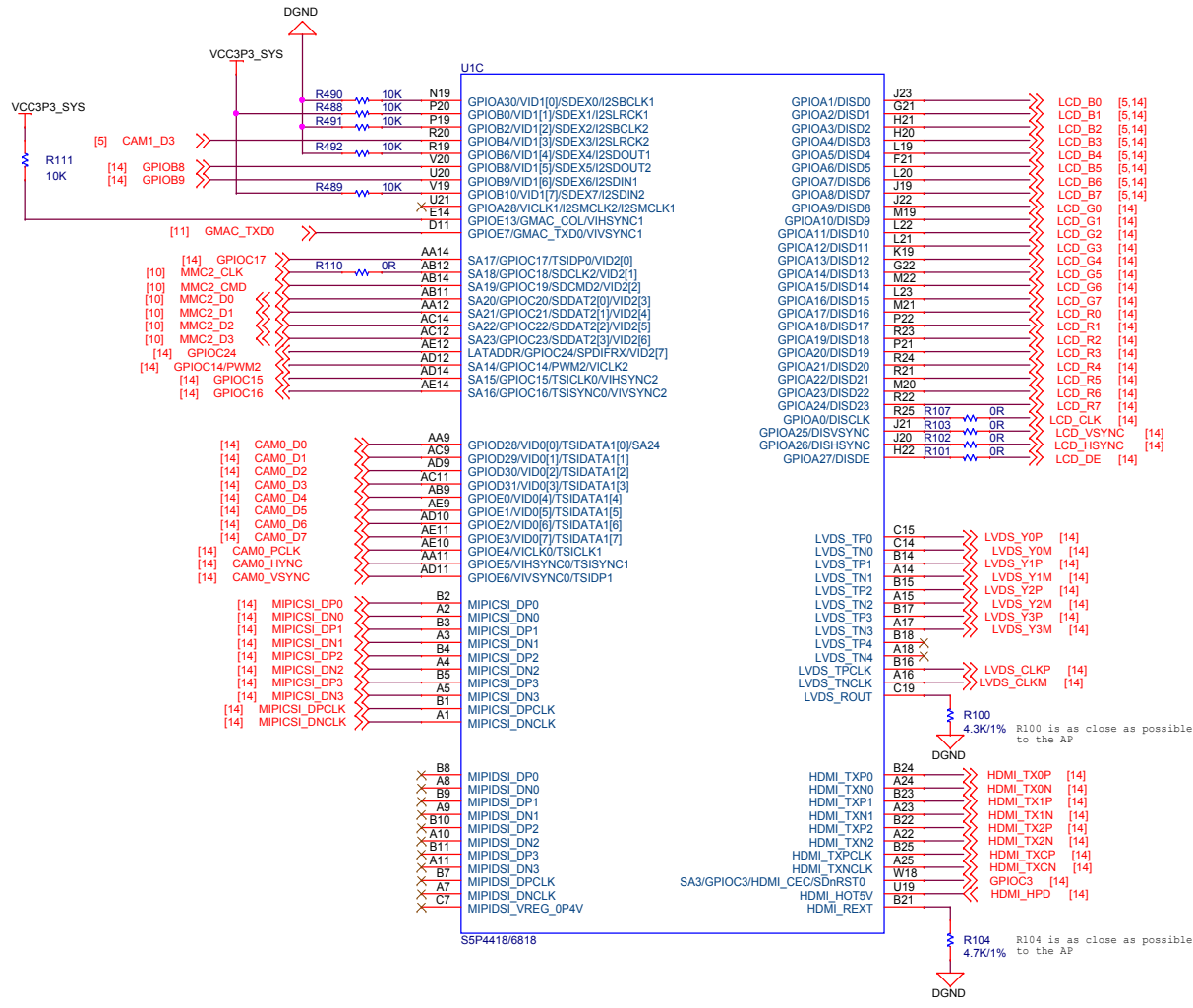
Boot media port select

	CH0	CH1	CH2
SD3	LOW	HIGH	LOW
CAM1_D3	LOW	LOW	HIGH

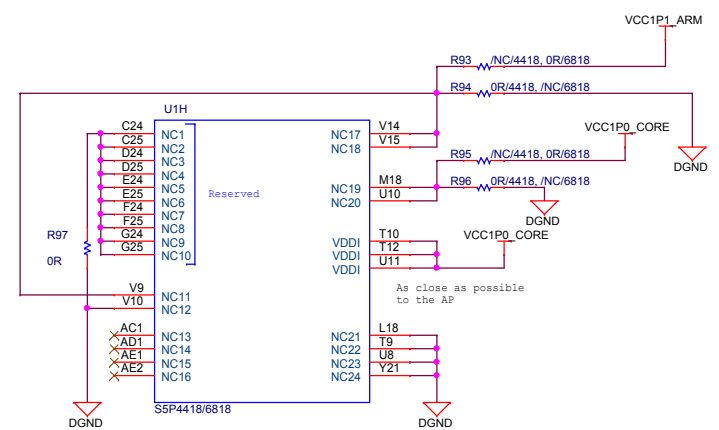
# PCB Version



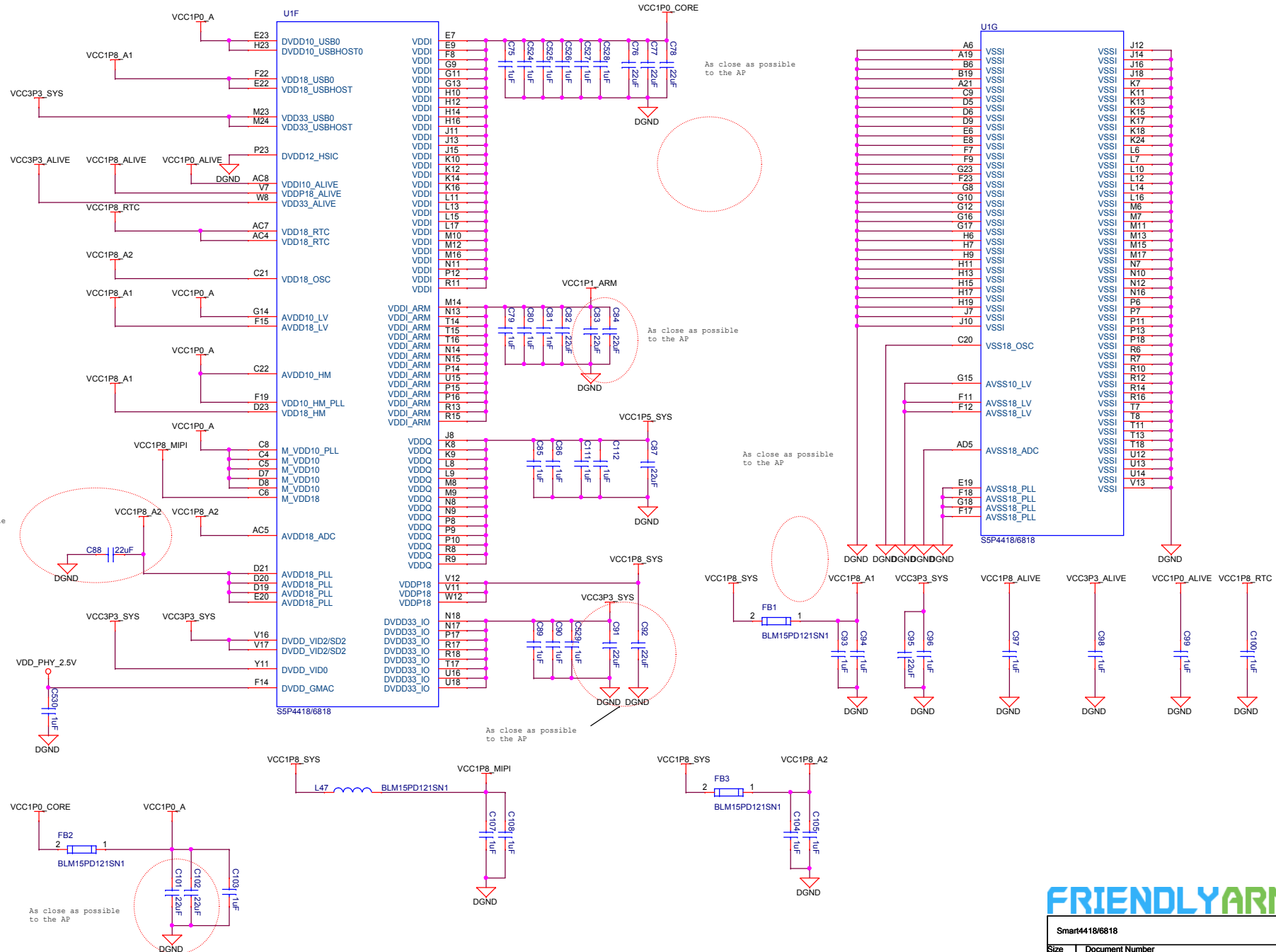




### Reserved Function

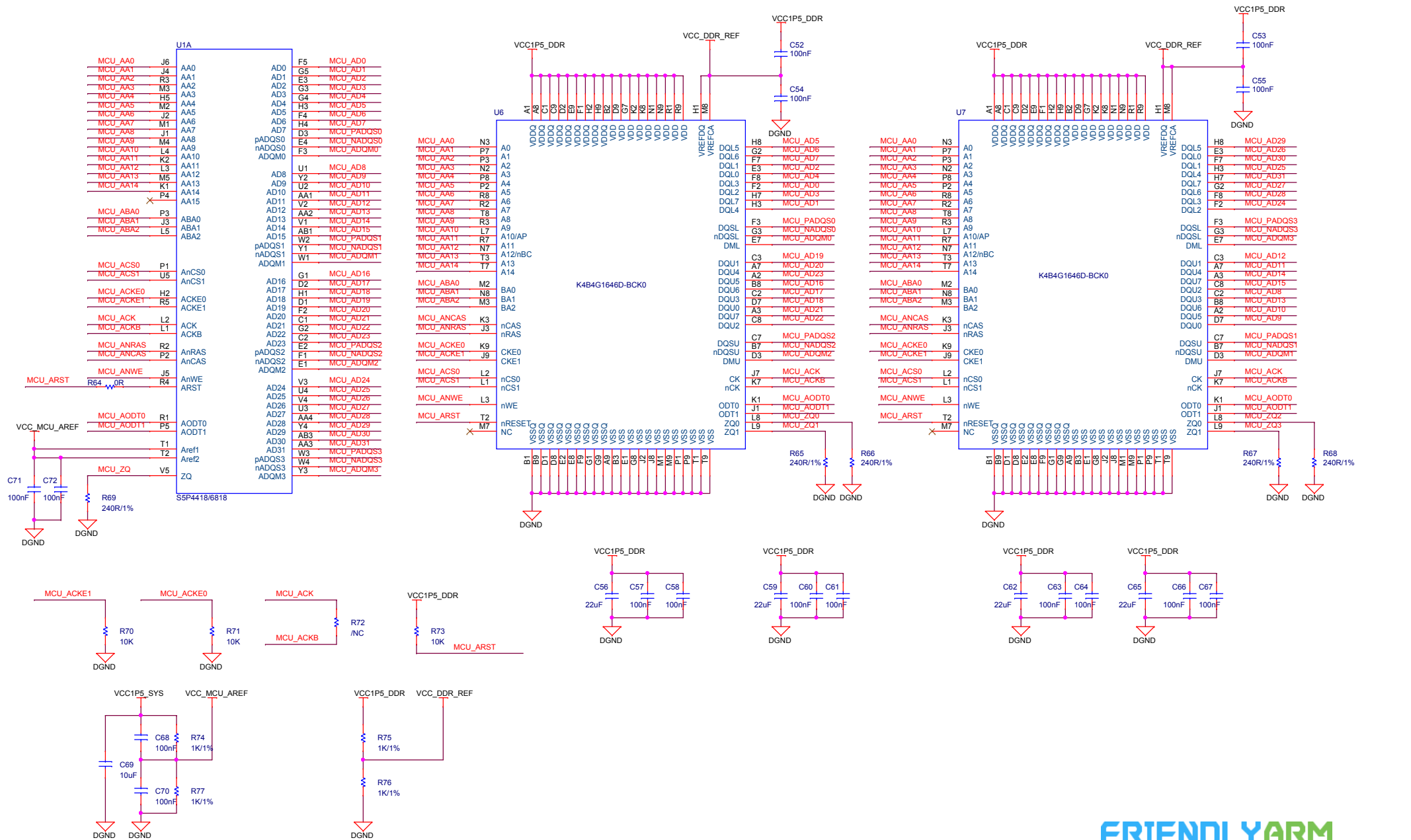


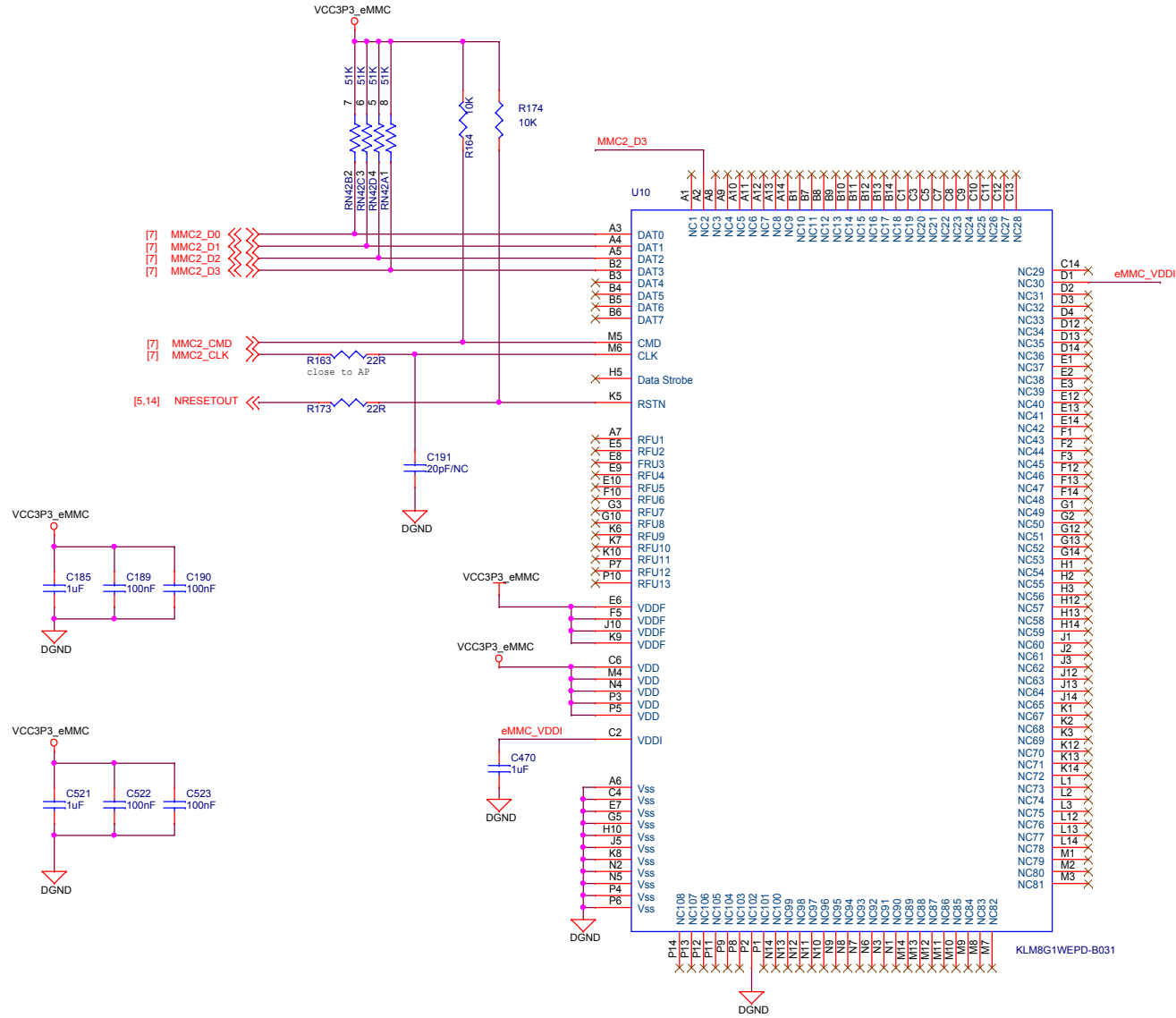
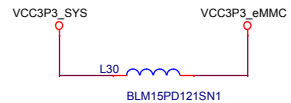
Smart4418/6818	
Size A3	Document Number 07.AP VIP&Display
Date: Thursday, July 26, 2018	Rev 1711
Sheet 7	of 14



Smart4418/6818		
Size	Document Number	Rev
A3	08.AP Power	1711
Date:	Thursday, July 26, 2018	Sheet 8 of 14

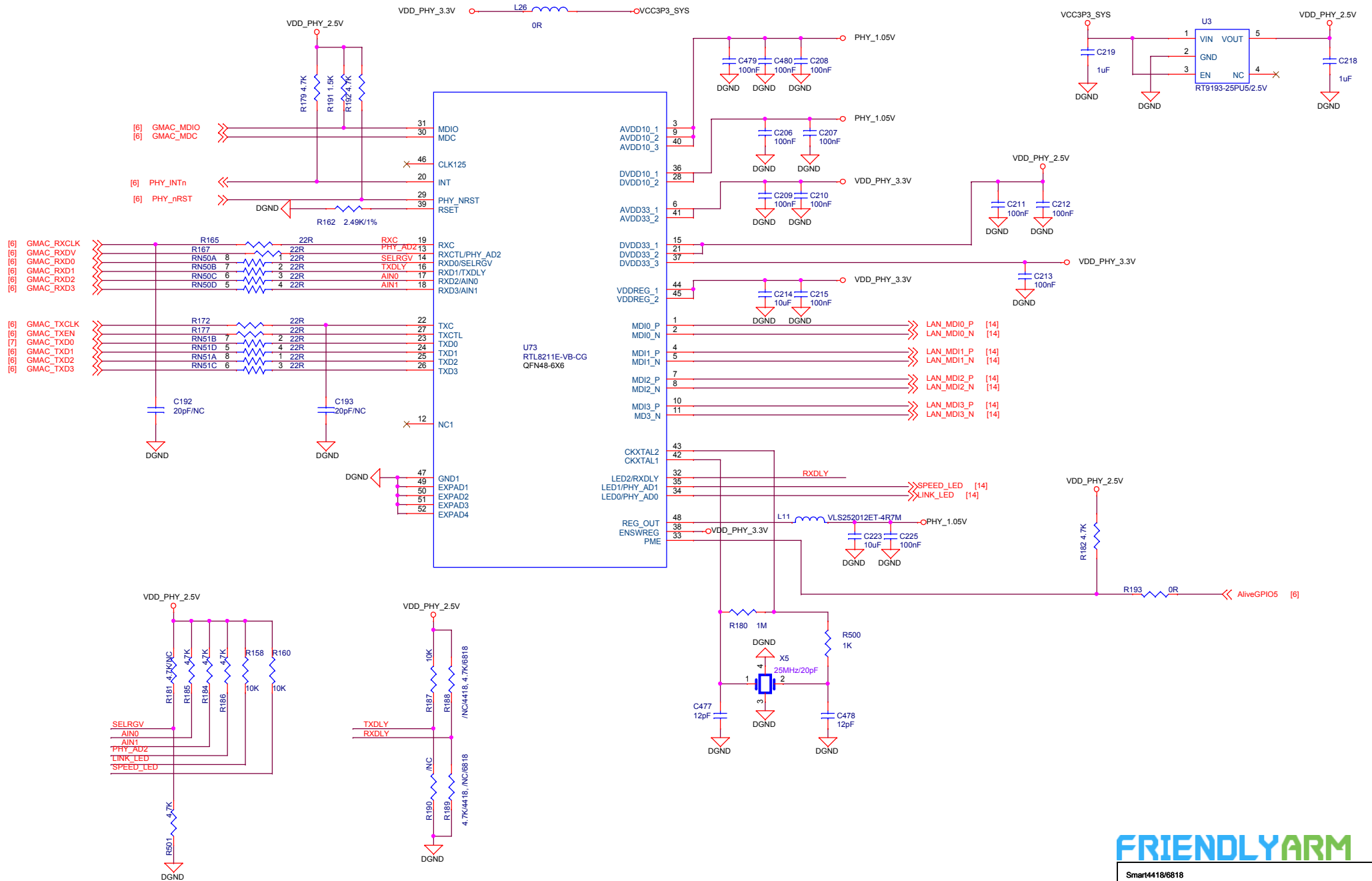






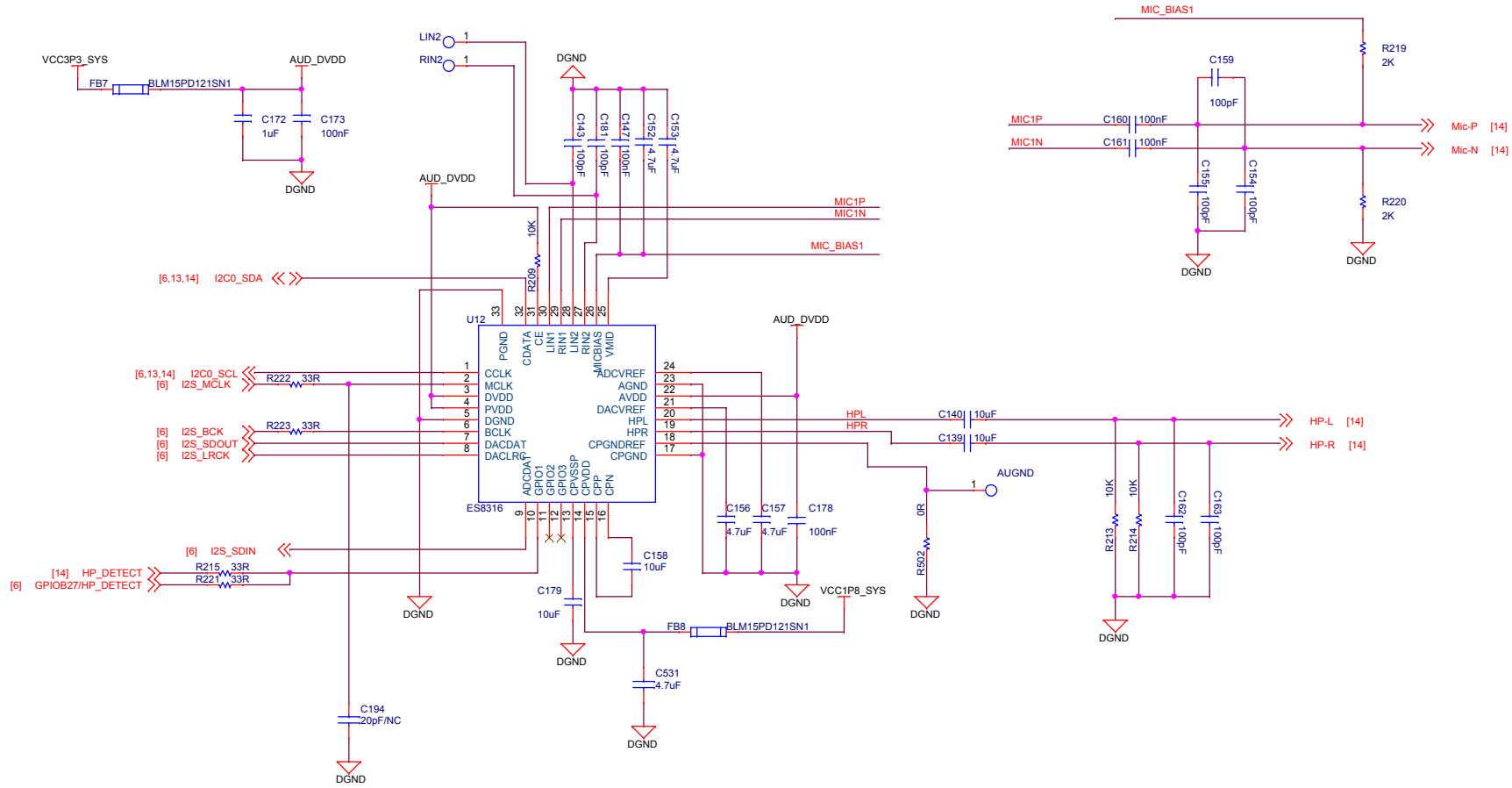
Smart4418/6818		
Size	Document Number	Rev
A3	10.eMMC	1711
Date:	Thursday, July 26, 2018	Sheet 10 of 14

# 10/100/1000M Ethernet



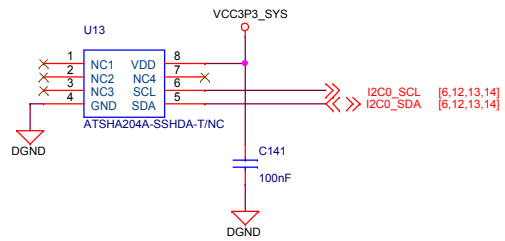
Smart4418/6818		
Size A3	Document Number 11.LAN PHY	Rev 1711
Date: Thursday, July 26, 2018	Sheet 11	of 14

# Audio

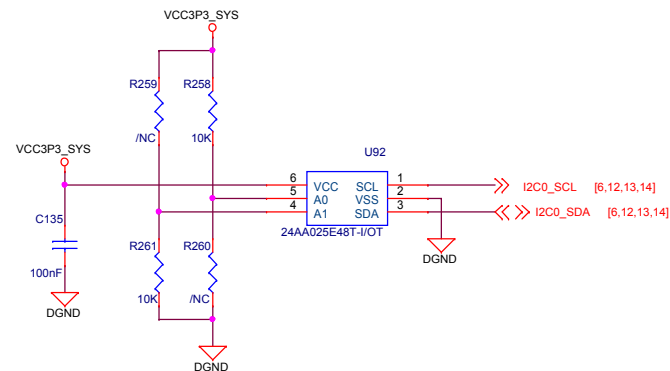


Smart4418		
Size A3	Document Number Smart4418/6818	Rev 1711
Date: Thursday, July 26, 2018	Sheet 12	of 14

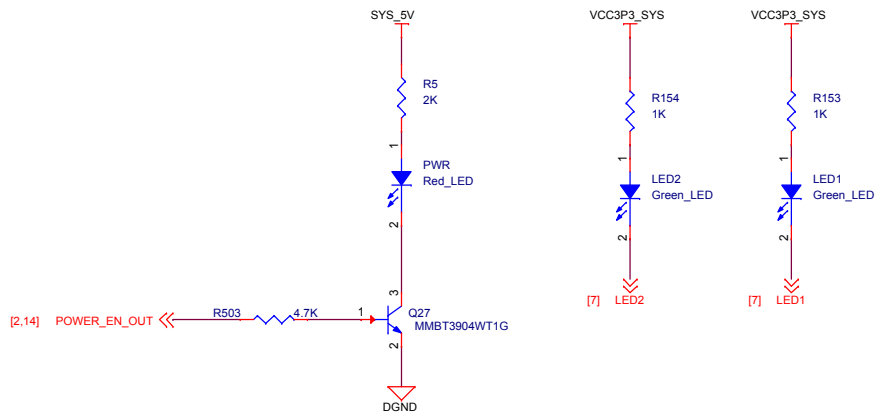
### CryptoAuthentication

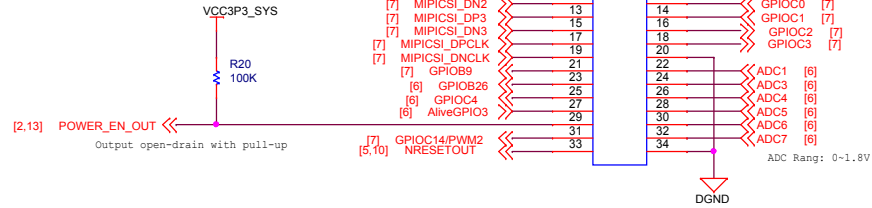
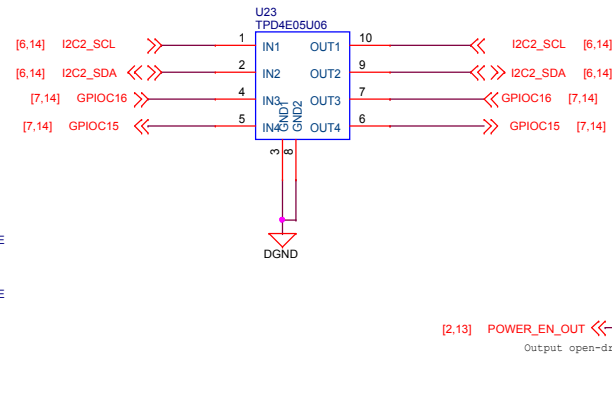
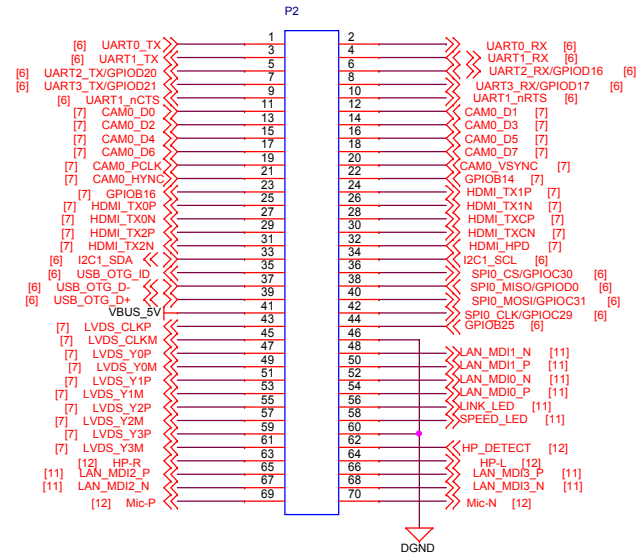
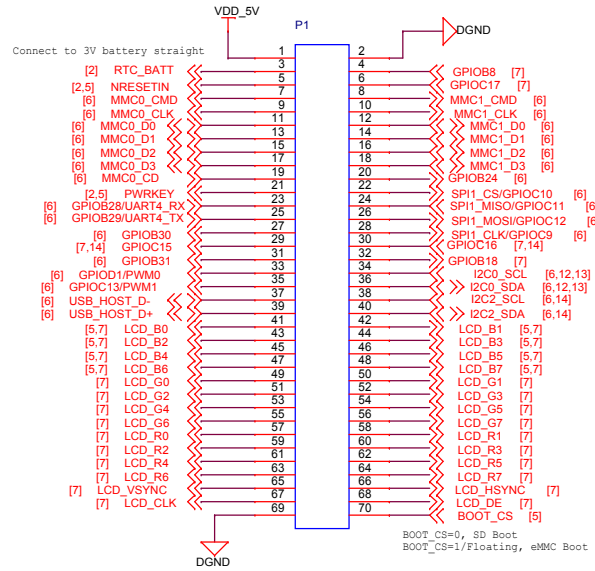


### EEPROM with MAC Address



### LEDs





Smart4418/6818		
Size A3	Document Number 14.Connector	Rev 1711
Date: Thursday, July 26, 2018	Sheet 14	of 14