

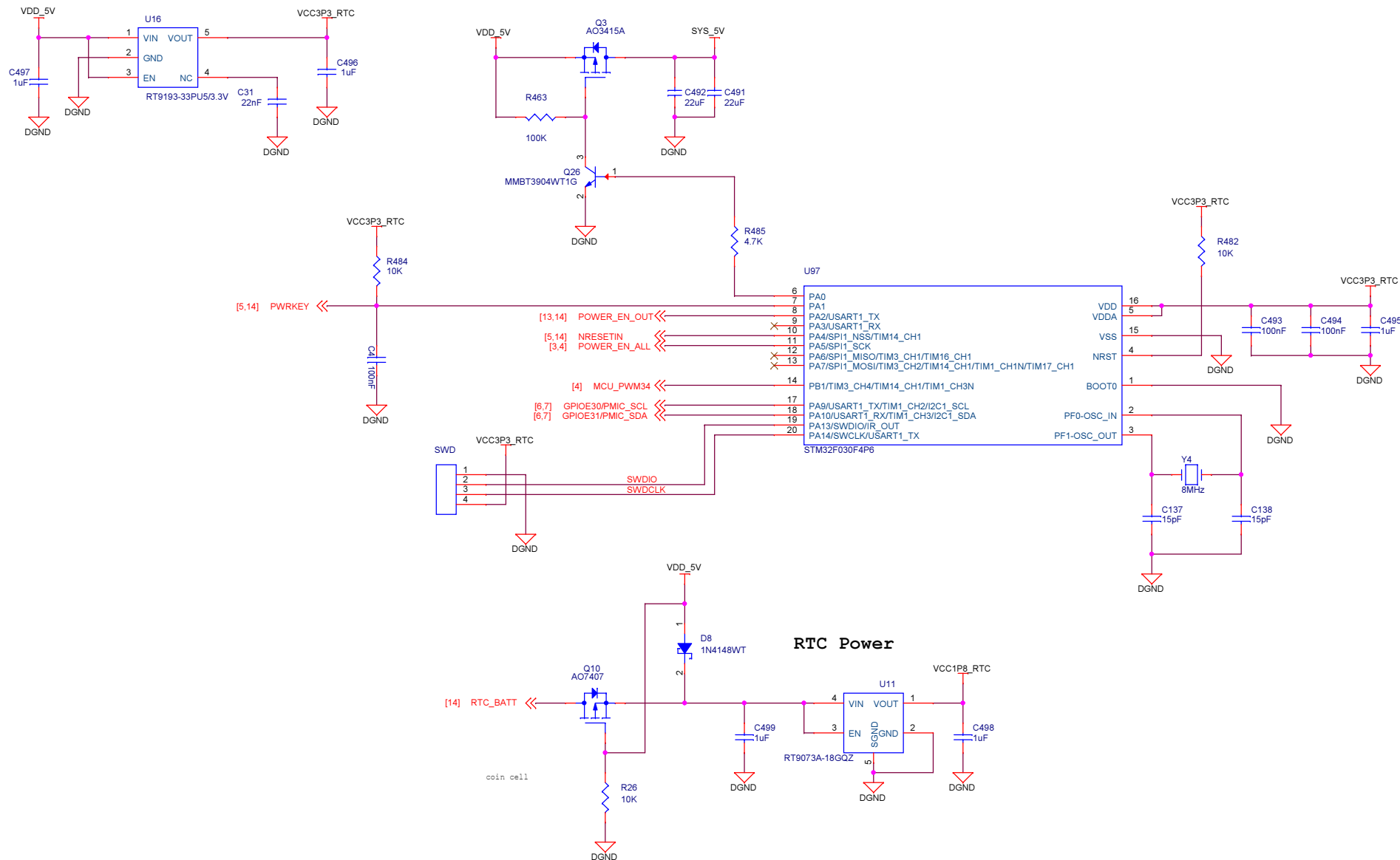
# Smart4418

# Revision

- 1512 , First Version
- 1608:
  - Modified PMIC(U2) schematic
  - Add PWREN SYS Output to P4.29
  - Add Q8, L1N2, RIN2
- 1711
  - 采用MCU电源方案

**FRIENDLYARM**

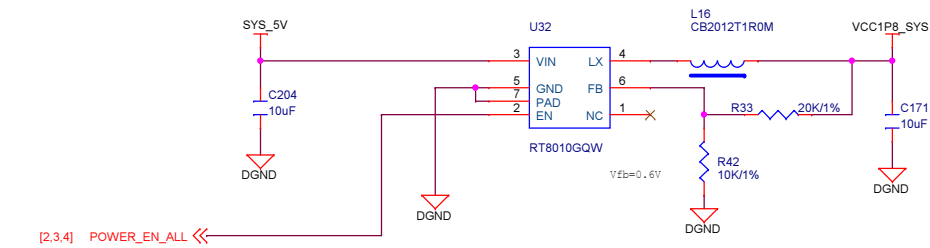
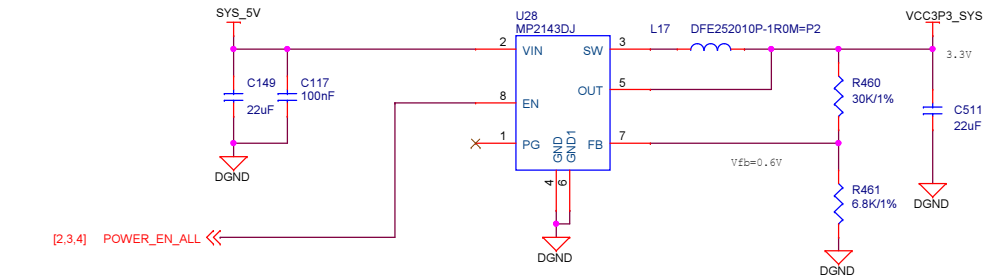
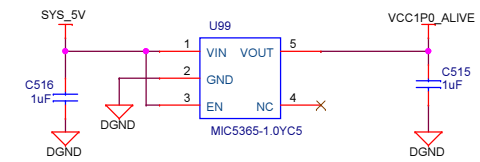
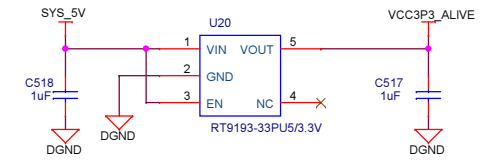
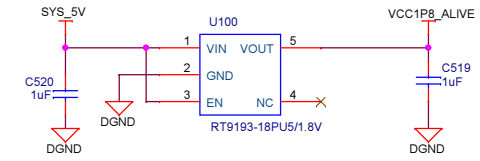
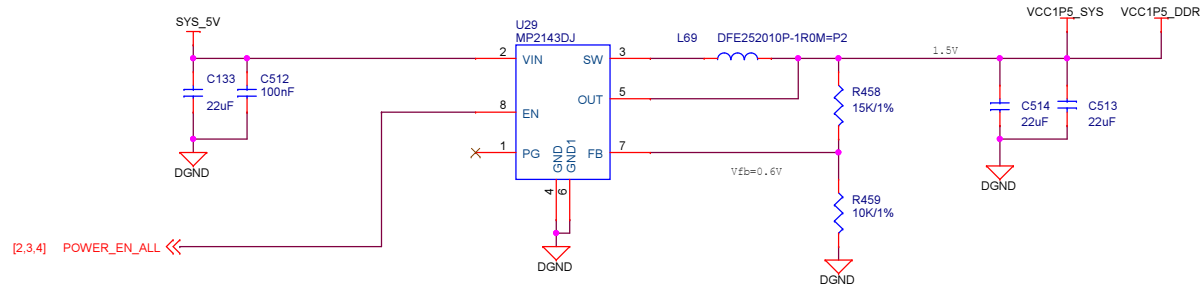
Smart4418		
Size A3	Document Number 01.Title	Rev 1711
Date:	Friday, January 05, 2018	Sheet 1 of 14



**RTC Power**

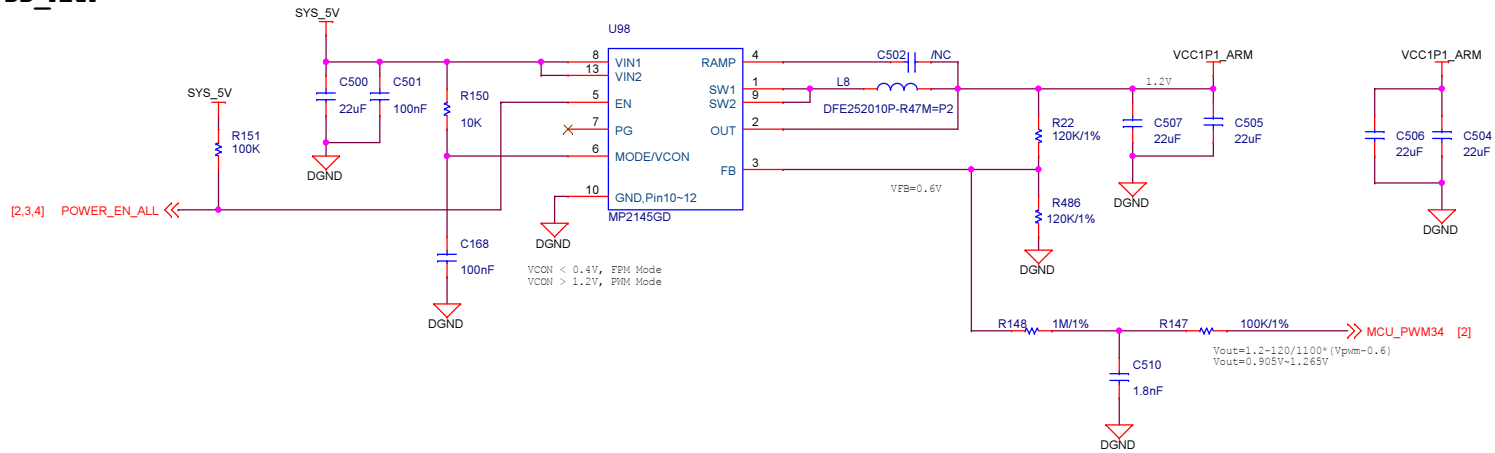


Smart4418		
Size A3	Document Number 02.SPU	Rev 1711
Date: Friday, January 05, 2018	Sheet 2 of 14	

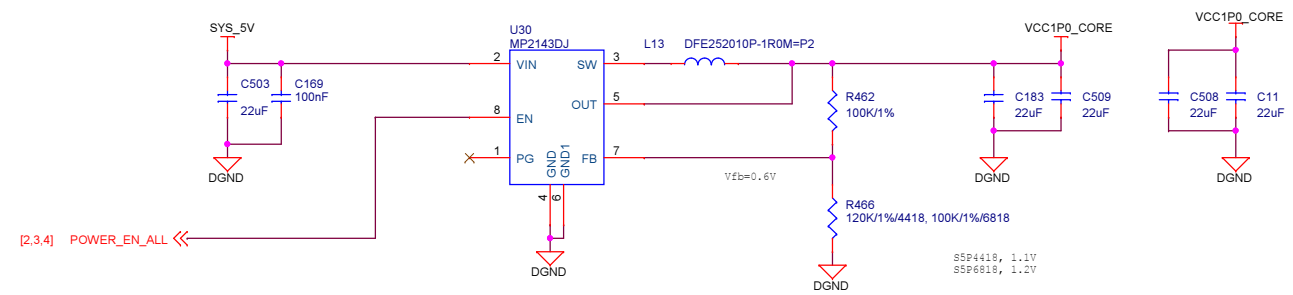


Smart4418		
Size A3	Document Number 03.VDD_DDR/3.3V/1.8V/Alive	Rev 1711
Date:	Friday, January 05, 2018	Sheet 3 of 14

### VDD\_ARM

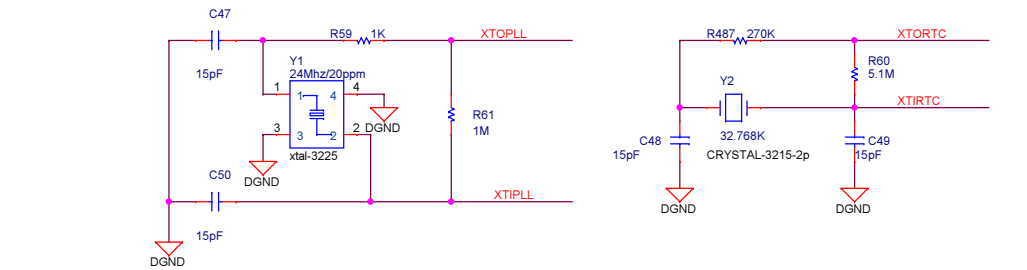
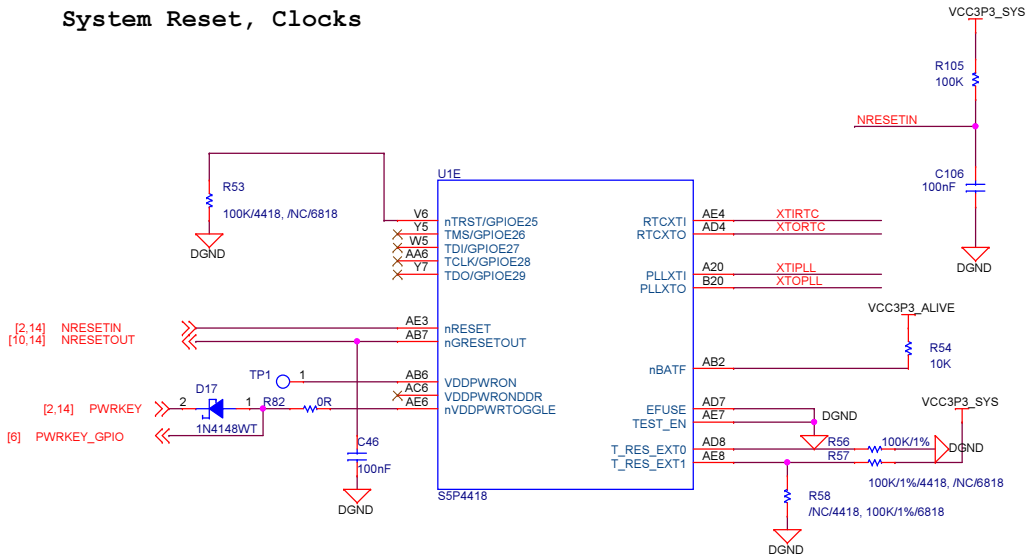


### VDD\_CORE

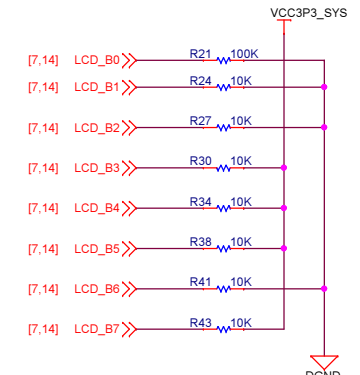
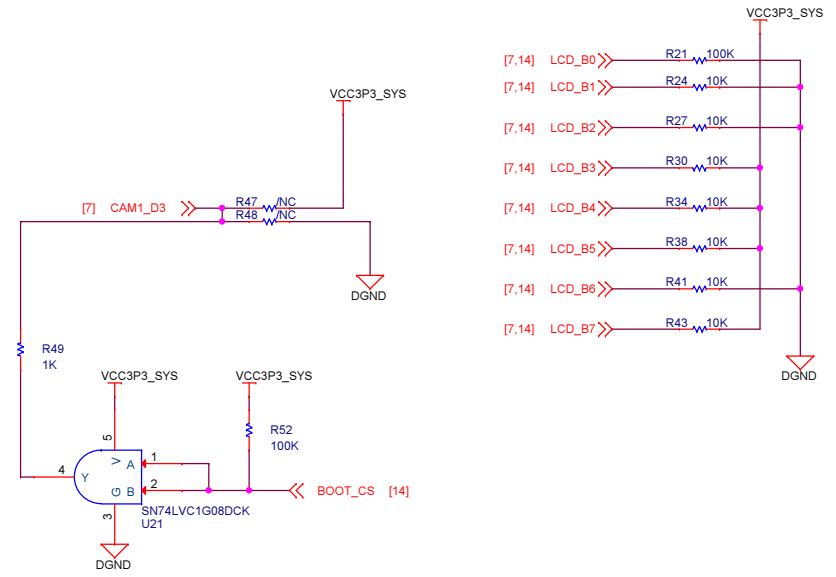


Smart4418		
Size A3	Document Number 04.VDD_ARM/VDD_CORE	Rev 1711
Date: Friday, January 05, 2018	Sheet 4 of 14	

# System Reset, Clocks



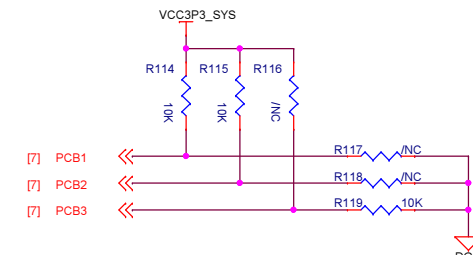
# Boot Mode Config

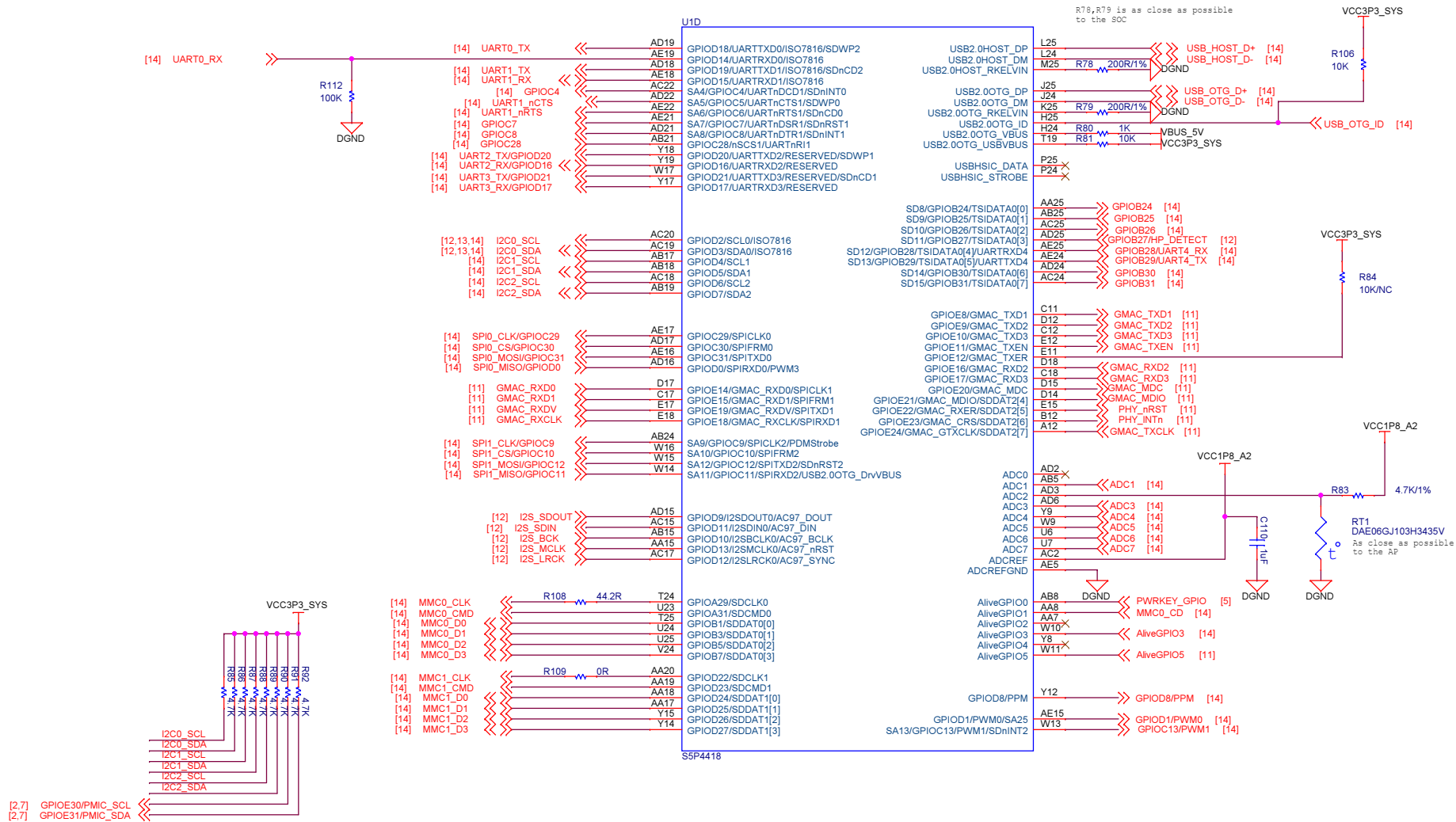


Boot media port select

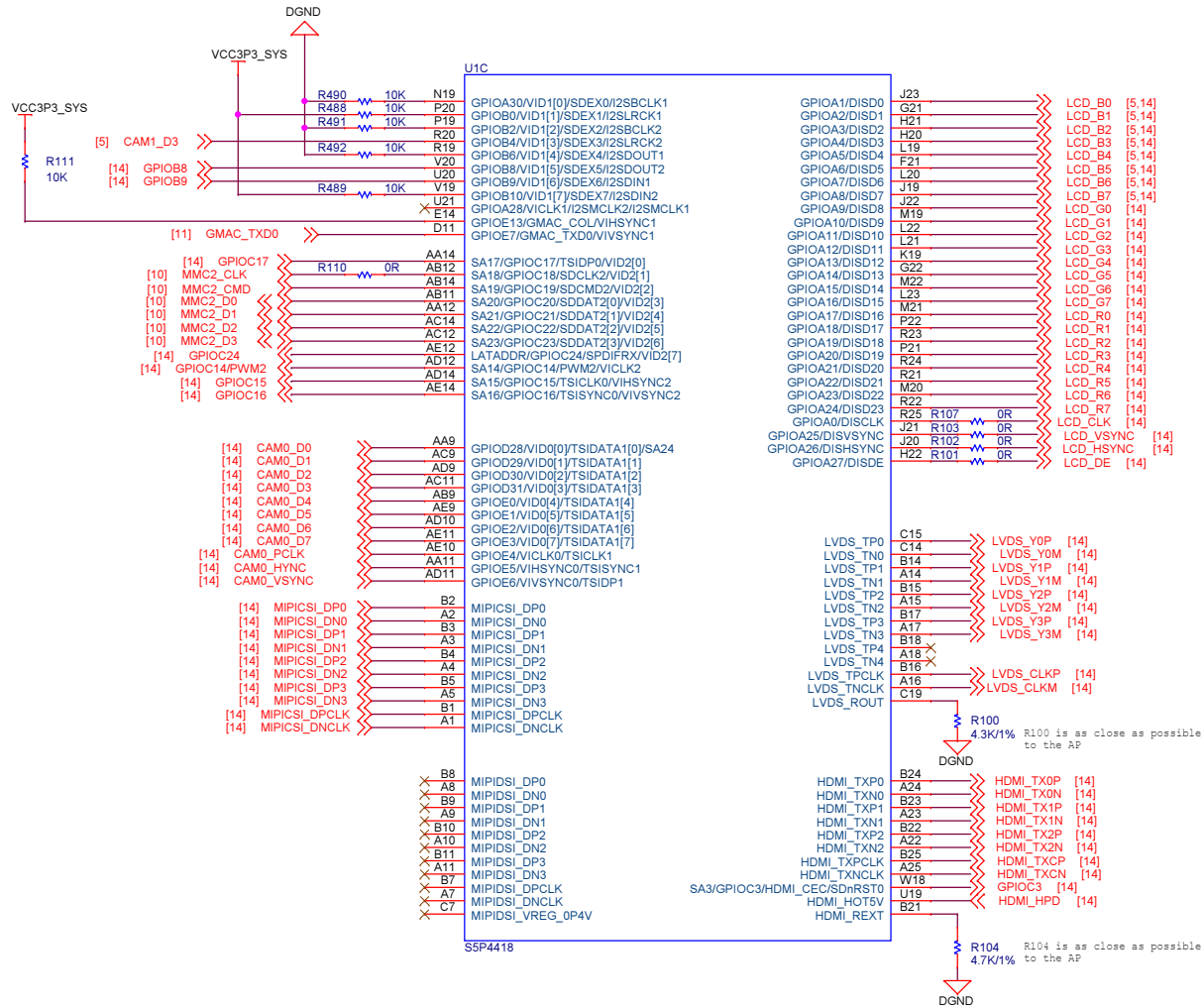
	CH0	CH1	CH2
SD3	LOW	HIGH	LOW
CAM1_D3	LOW	LOW	HIGH

# PCB Version

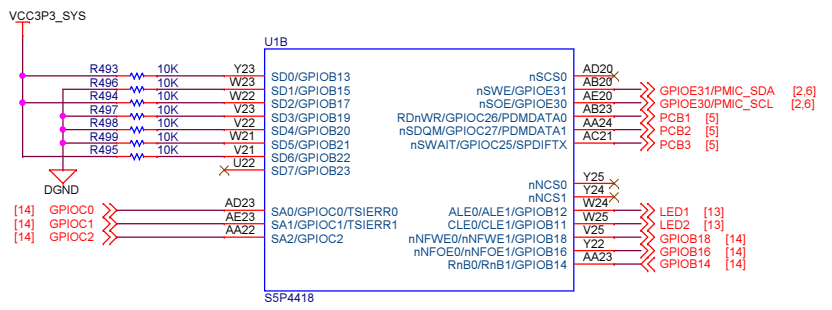
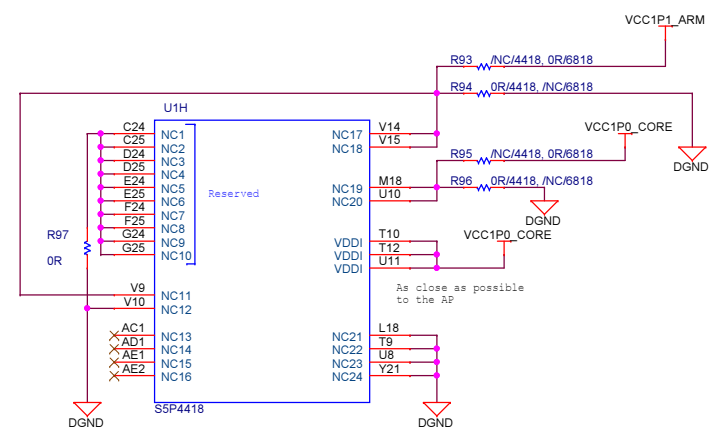




Smart4418		
Size A3	Document Number 06.AP Peripherals	Rev 1711
Date: Friday, January 05, 2018	Sheet 6 of 14	



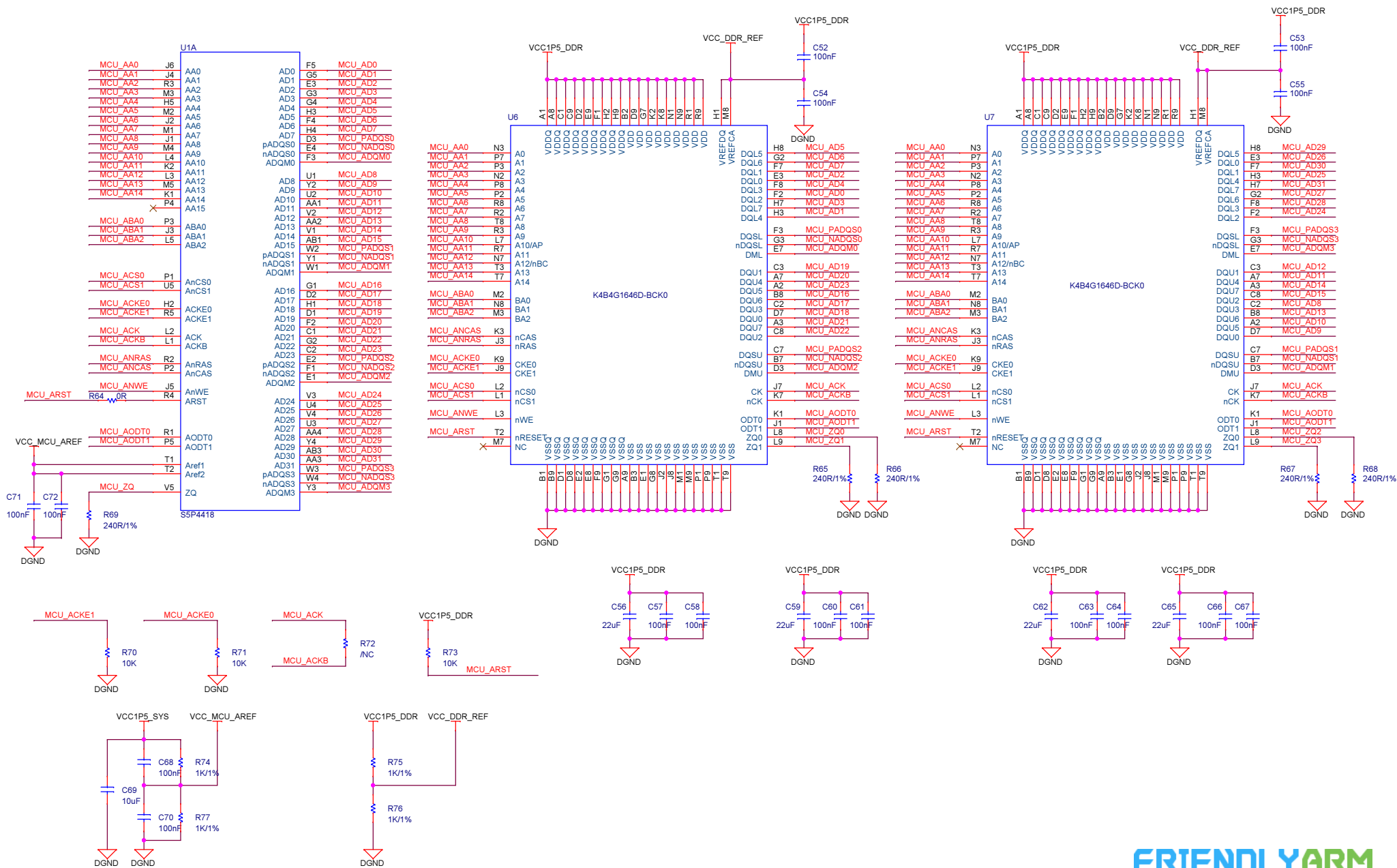
### Reserved Function

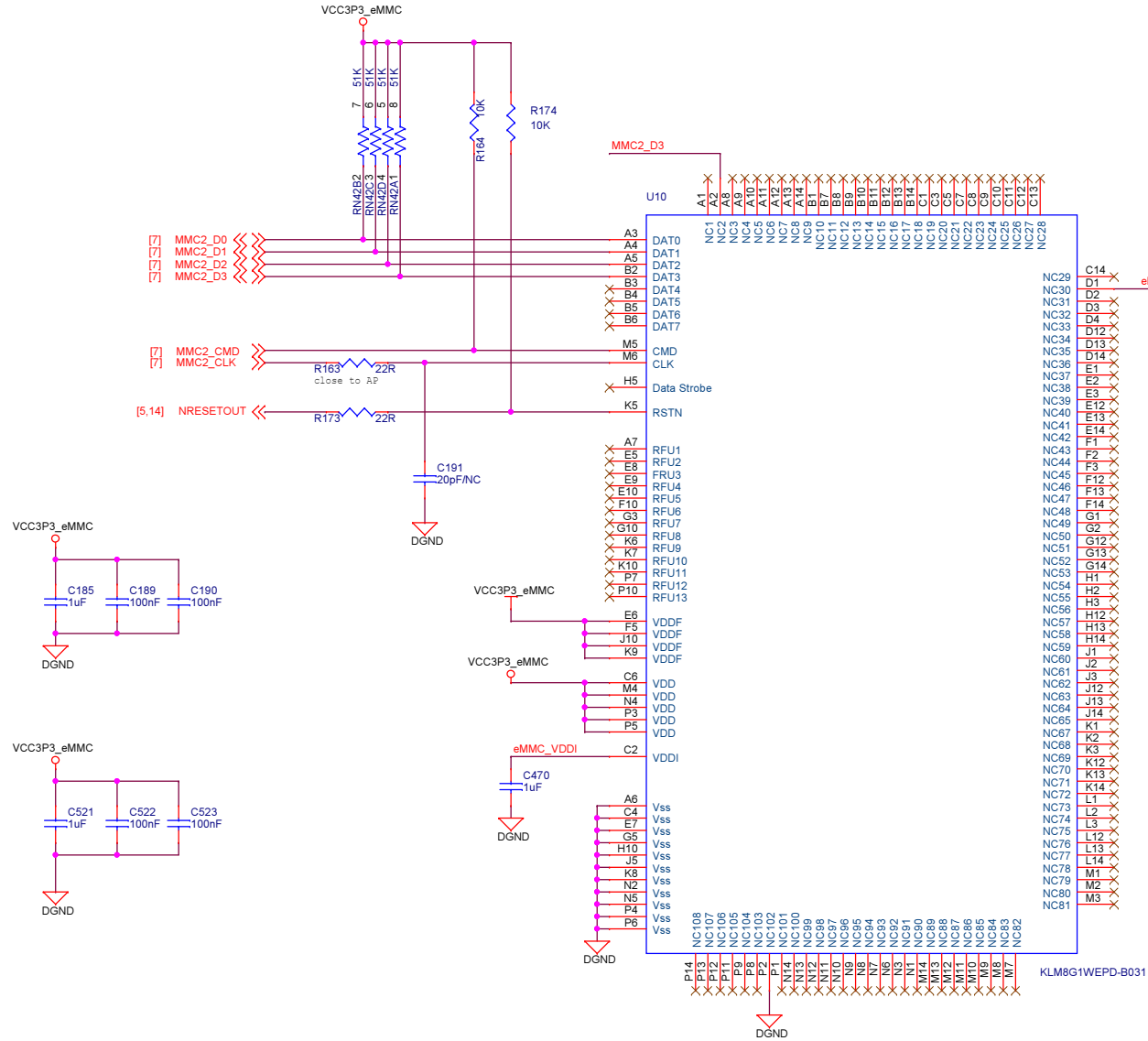
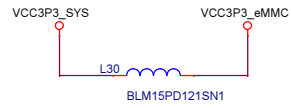


Smart4418		
Size A3	Document Number 07_AP_VIP&Display	Rev 1711
Date: Friday, January 05, 2018	Sheet 7	of 14



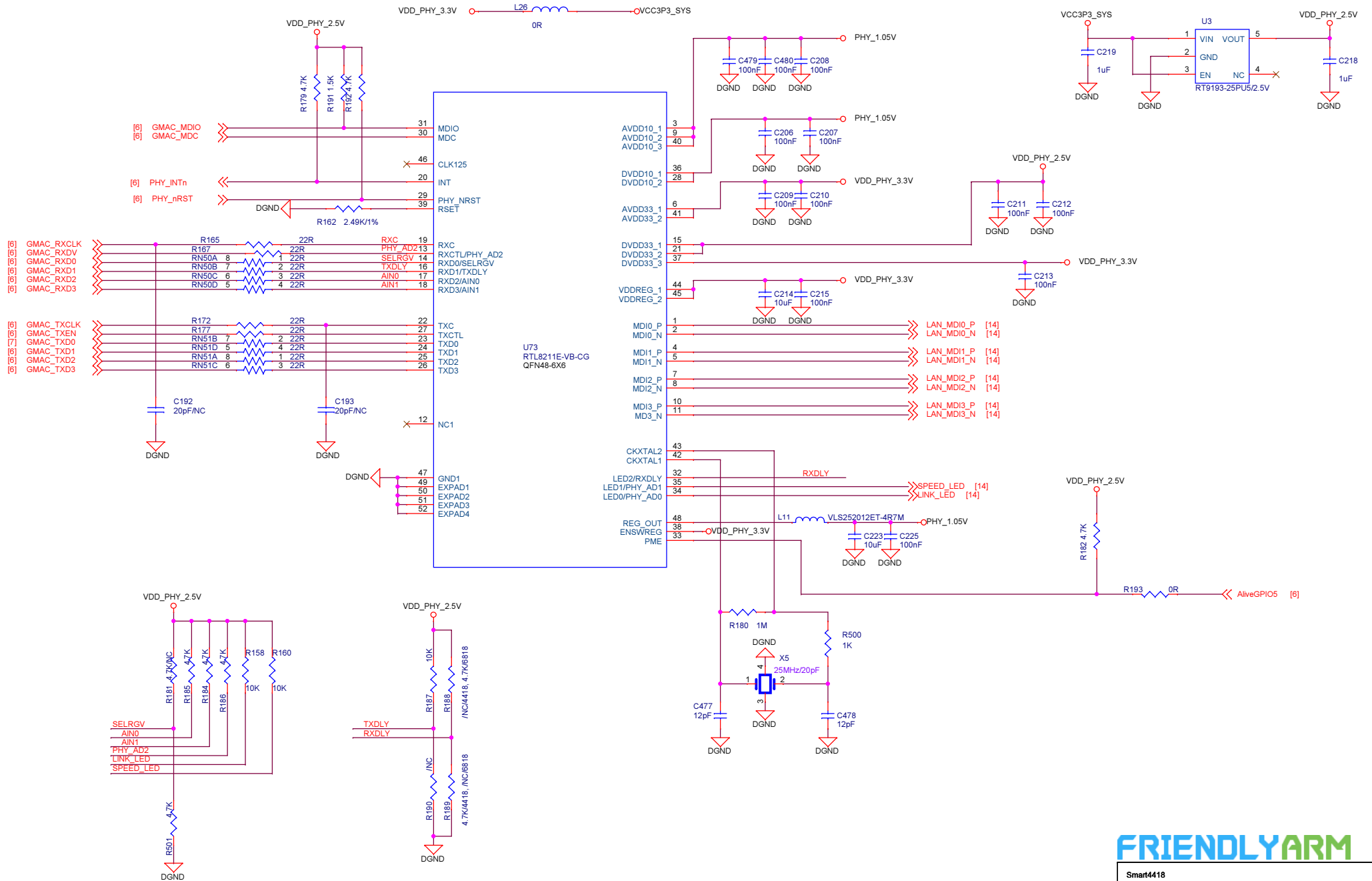






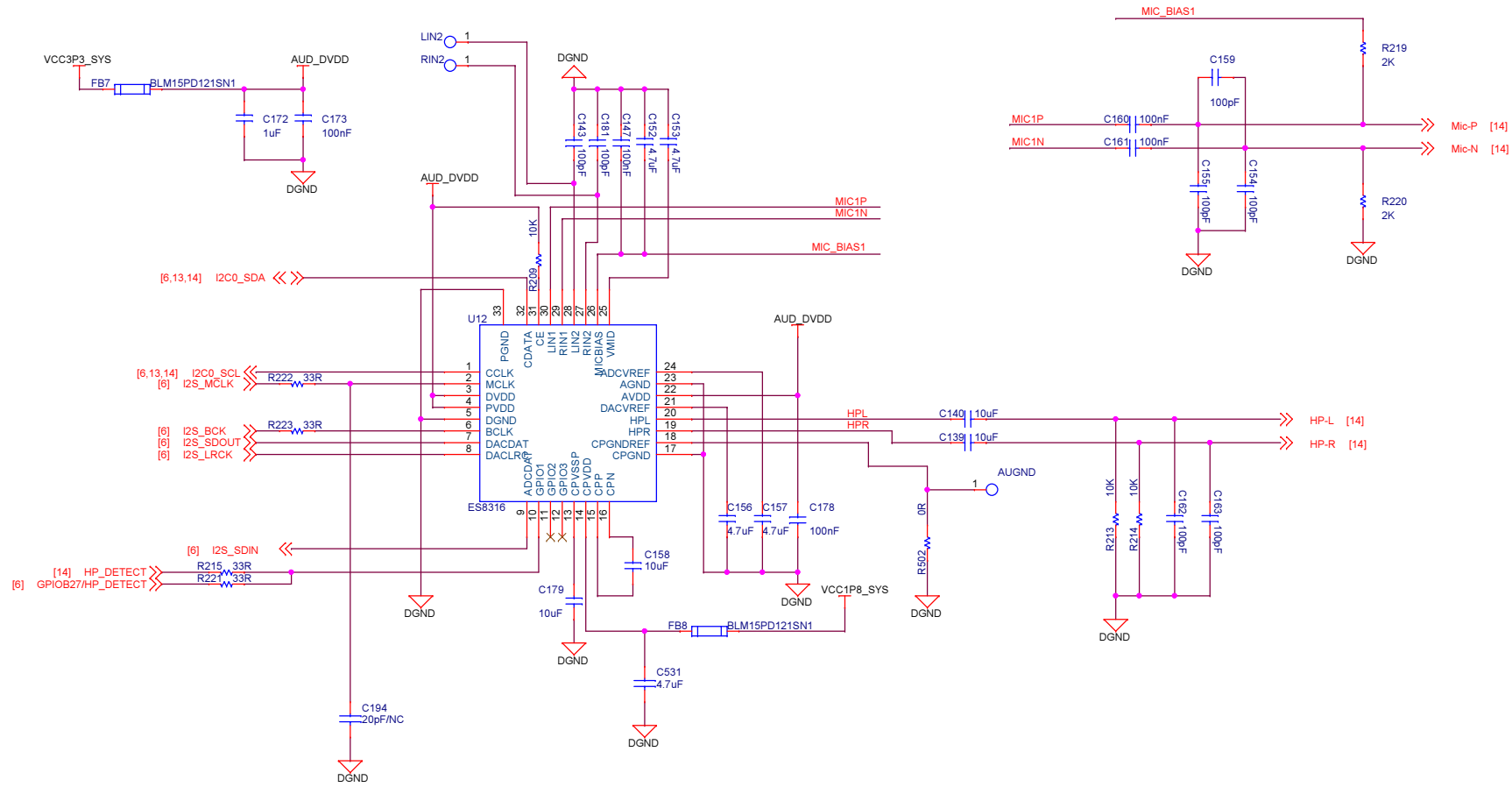
Smart4418		
Size A3	Document Number 10_eMMC	Rev 1711
Date:	Friday, January 05, 2018	Sheet 10 of 14

# 10/100/1000M Ethernet



Smart4418		
Size A3	Document Number 11.LAN PHY	Rev 1711
Date: Friday, January 05, 2018	Sheet 11	of 14

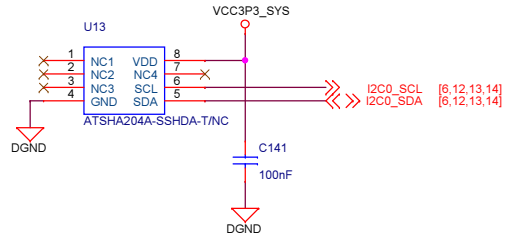
# Audio



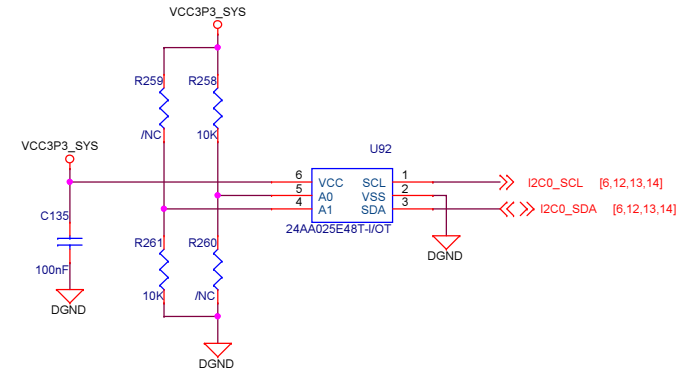
**FRIENDLYARM**

Smart4418		
Size A3	Document Number 12.Audio	Rev 1711
Date: Friday, January 05, 2018	Sheet 12	of 14

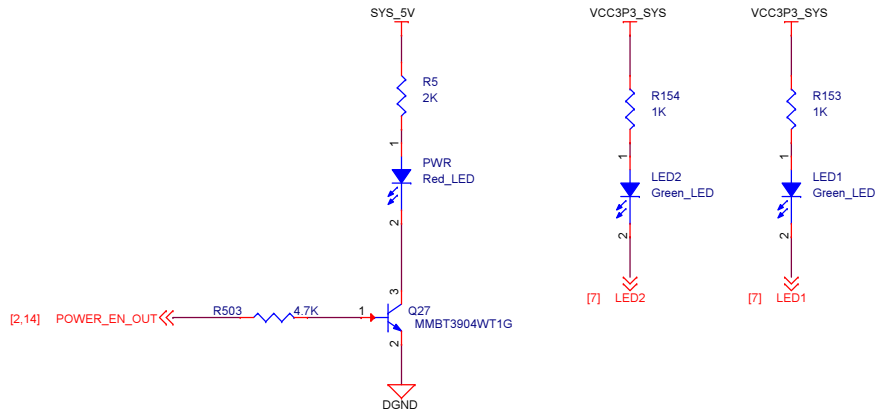
## CryptoAuthentication



## EEPROM with MAC Address

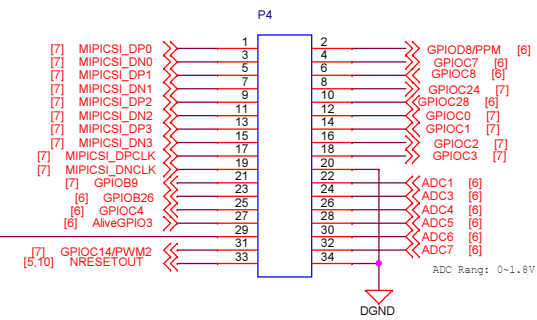
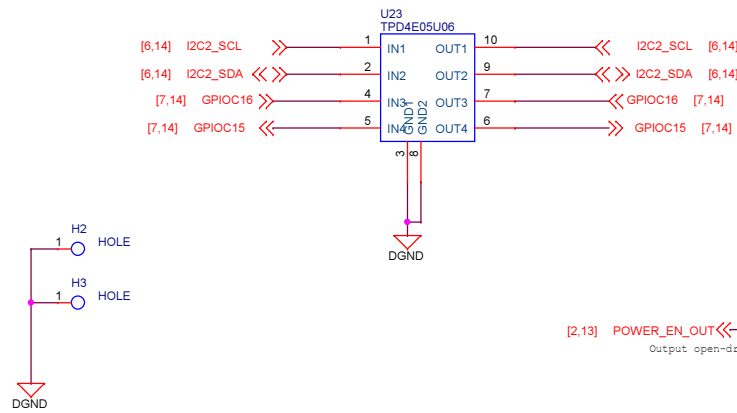
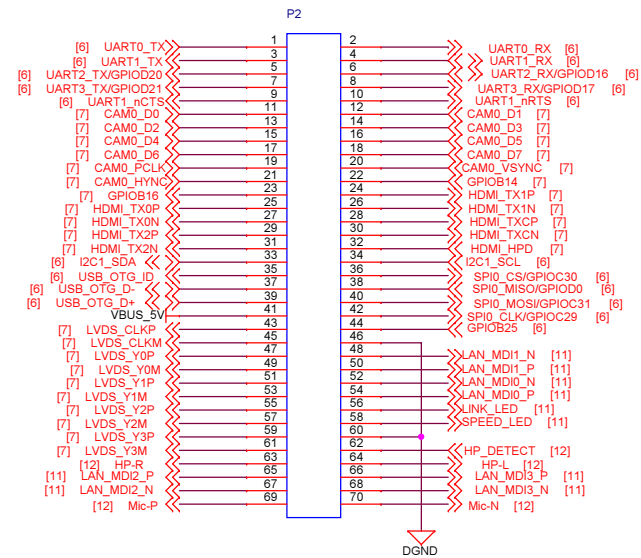
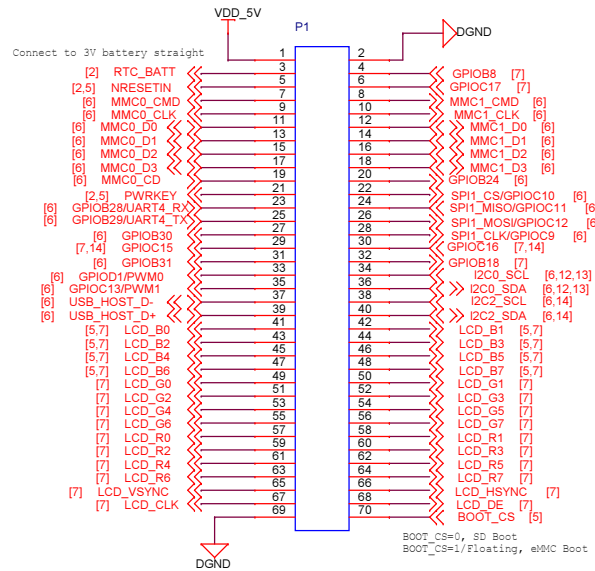


## LEDs



**FRIENDLYARM**

Smart4418		
Size A3	Document Number 13.EEPROM, SHA-256	Rev 1711
Date: Friday, January 05, 2018	Sheet 13	of 14



FRIENDLYARM

Smart4418		
Size A3	Document Number 14.Connector	Rev 1711
Date: Friday, January 05, 2018	Sheet 14	of 14