

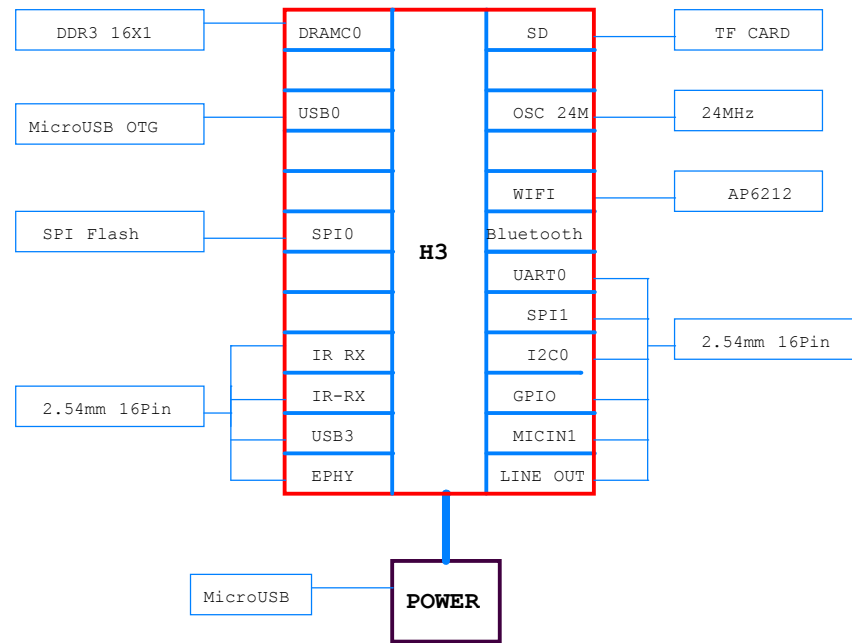
# NanoPi Duo2

Revision:  
V1.0 1807 first release

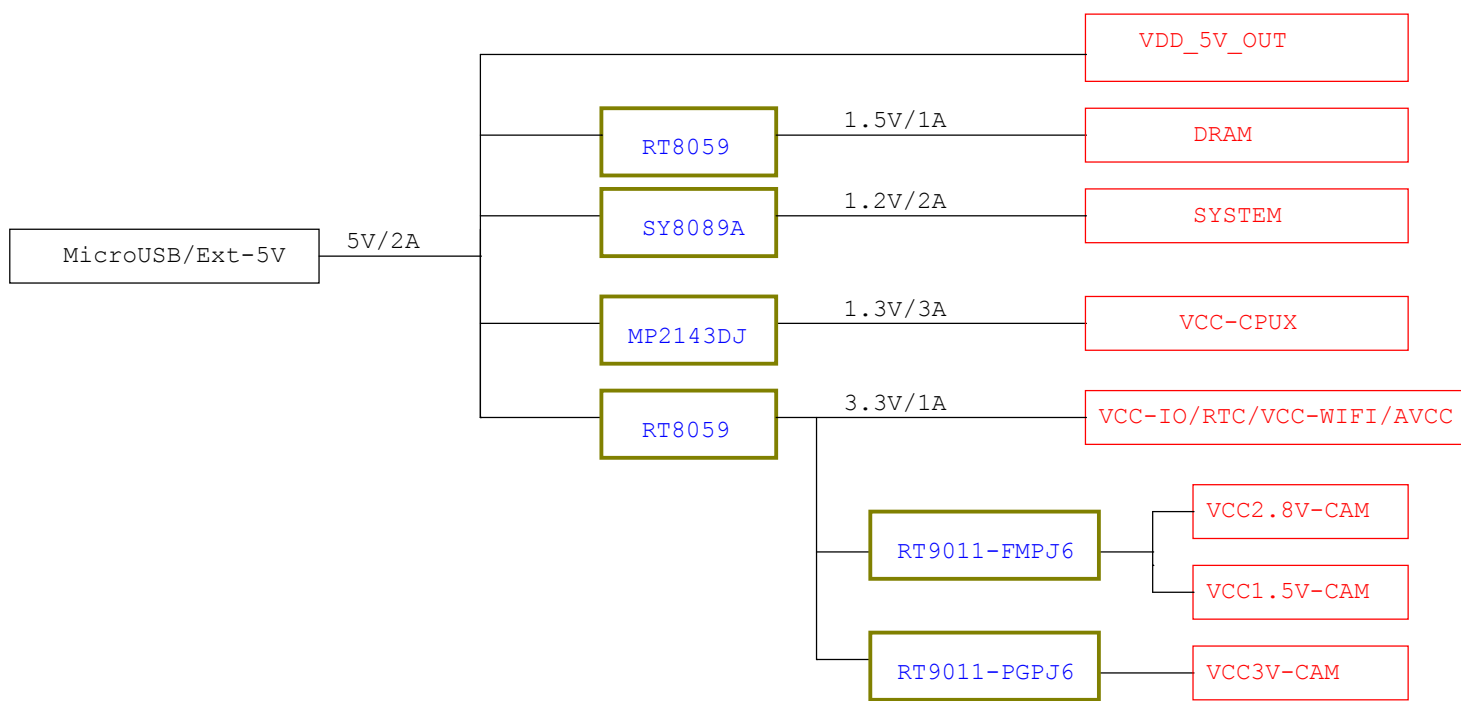


NanoPi Duo2			
Size	Document	Number	Rev
A3	Title		V1.0 1807
Date:	Thursday, September 27, 2018		Sheet 1 of 11

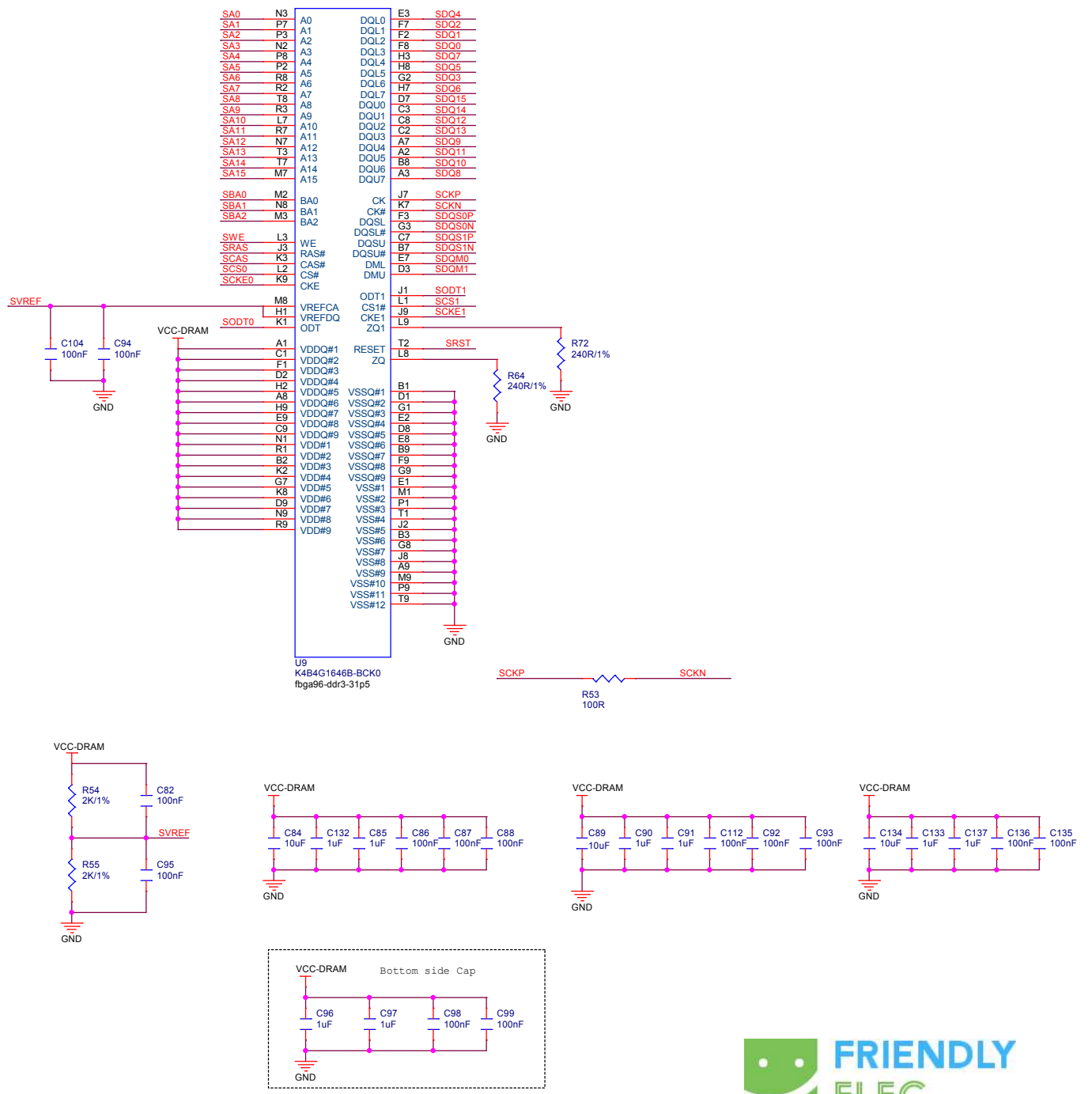
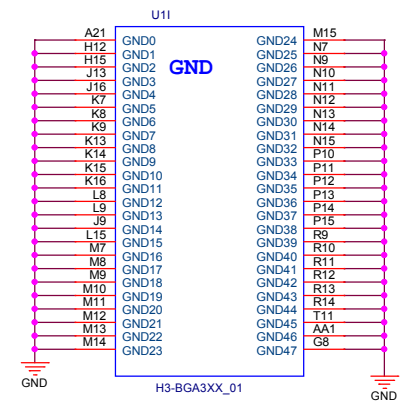
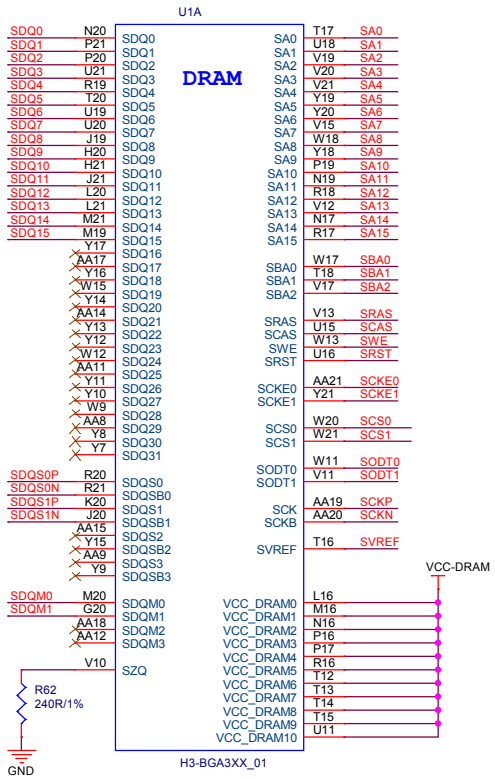
# BLOCK



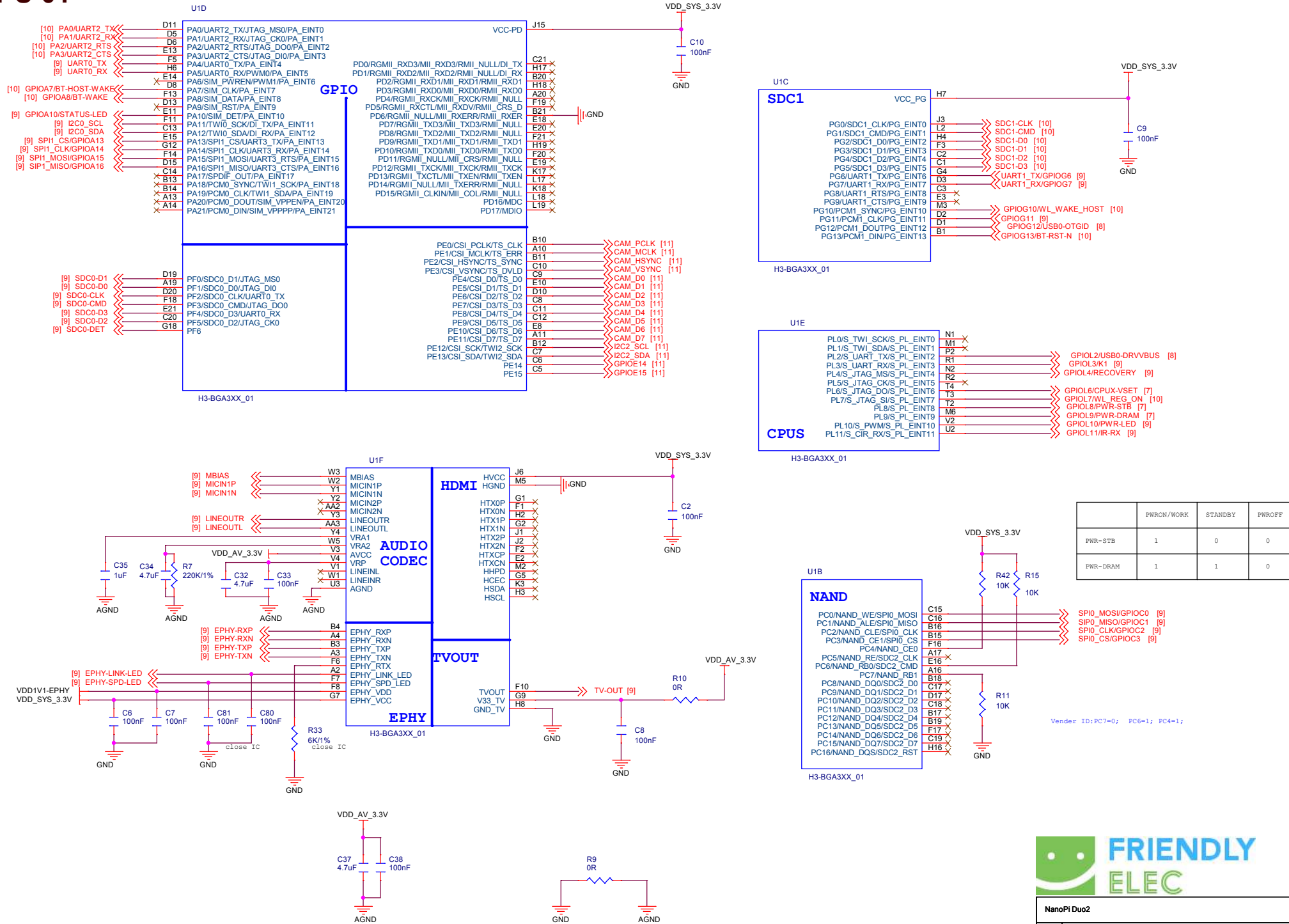
# POWER TREE



# DDR3 16x1



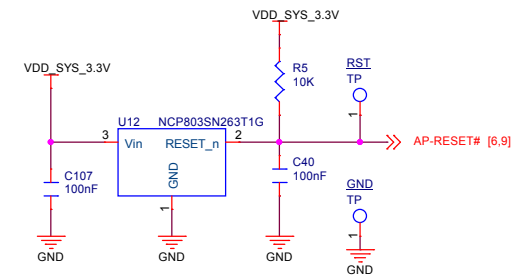
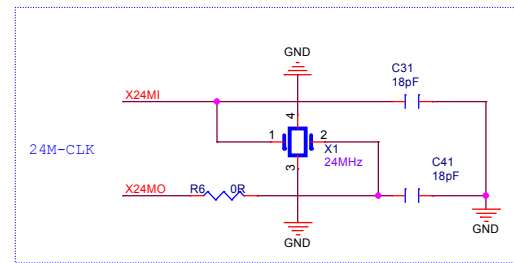
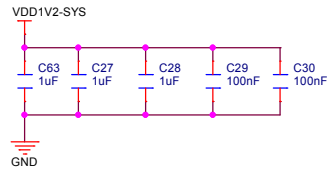
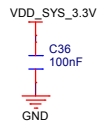
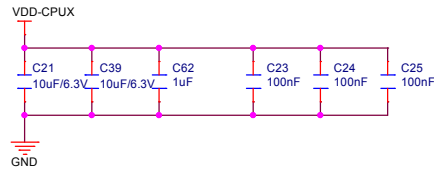
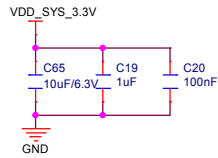
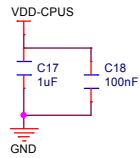
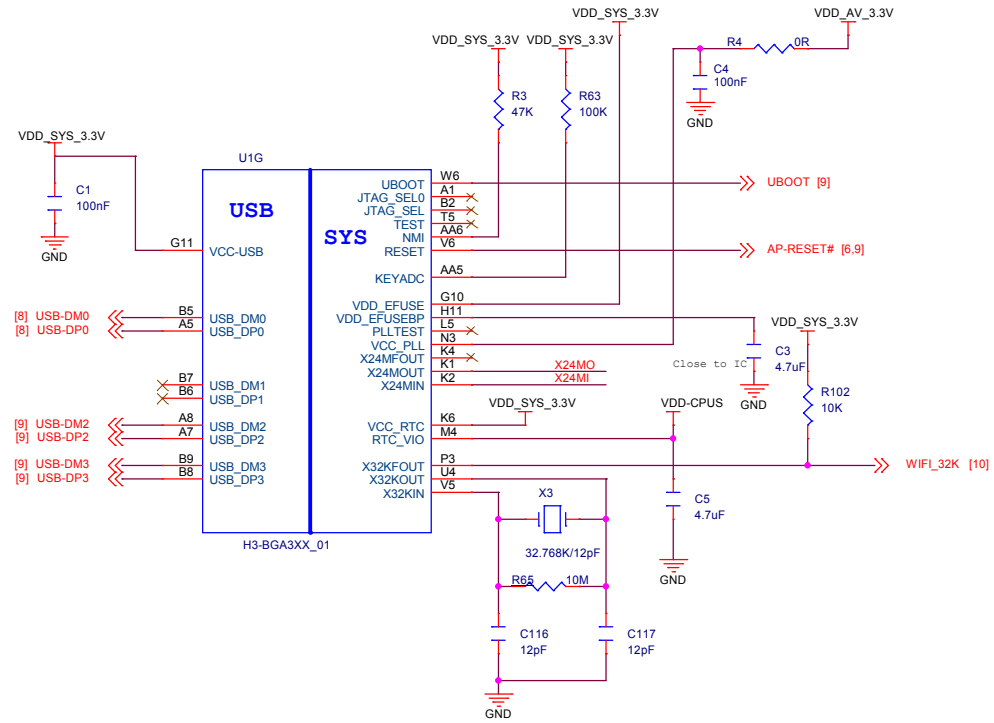
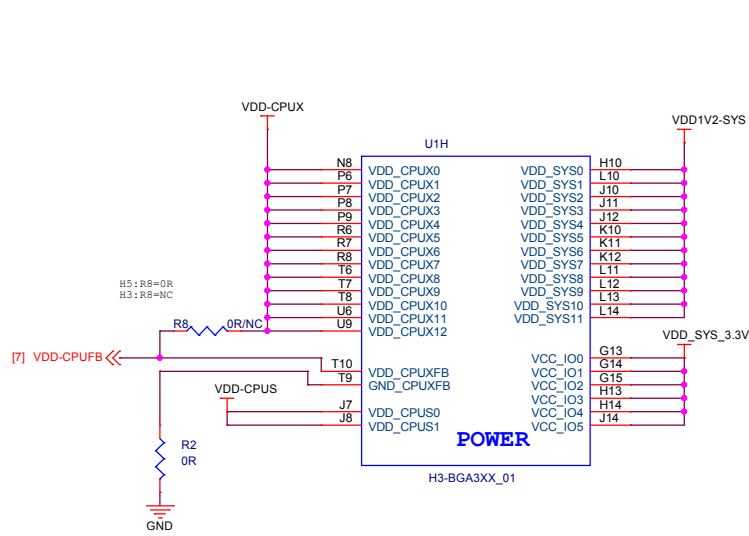
# CPU 01



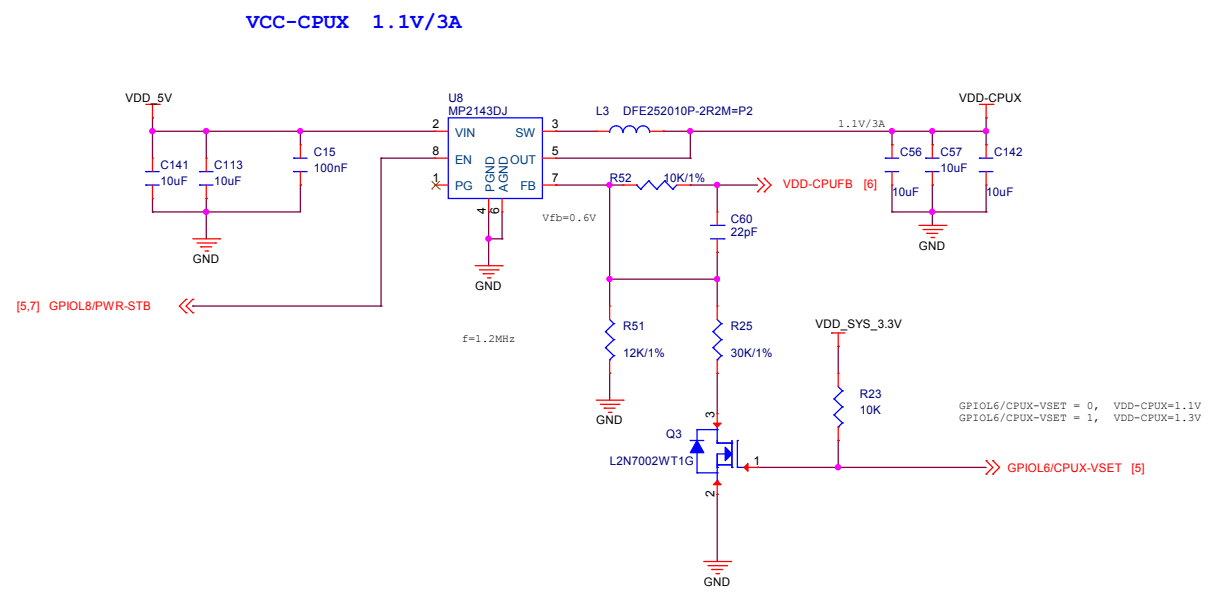
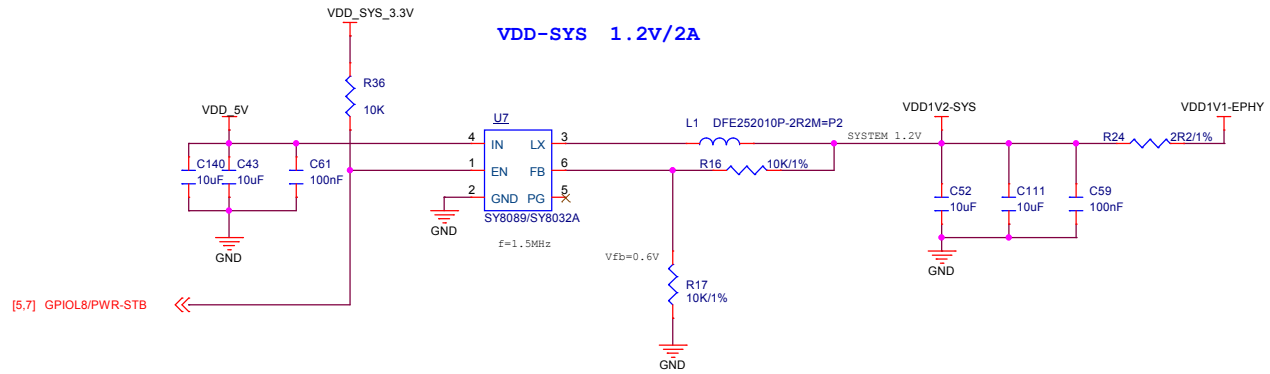
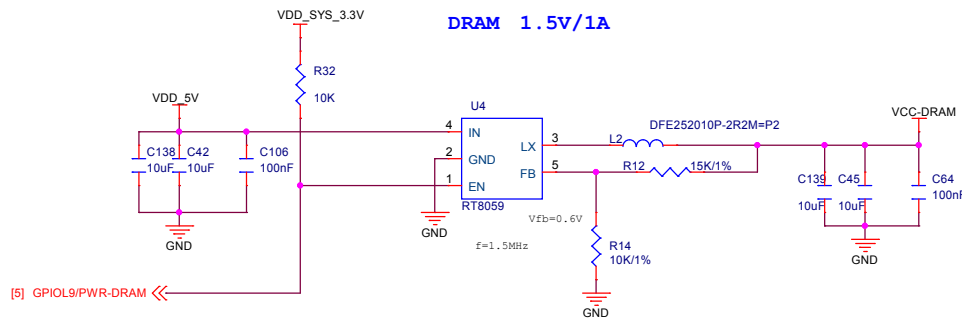
	PWRON/WORK	STANDBY	PWROFF
PWR-STB	1	0	0
PWR-DRAM	1	1	0



# CPU 02



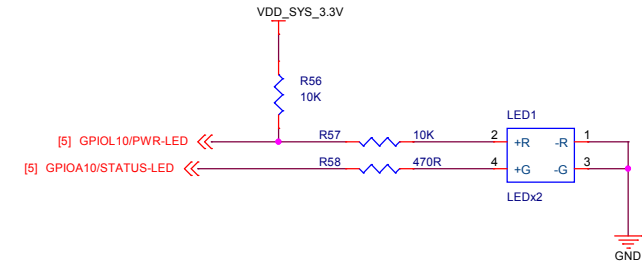
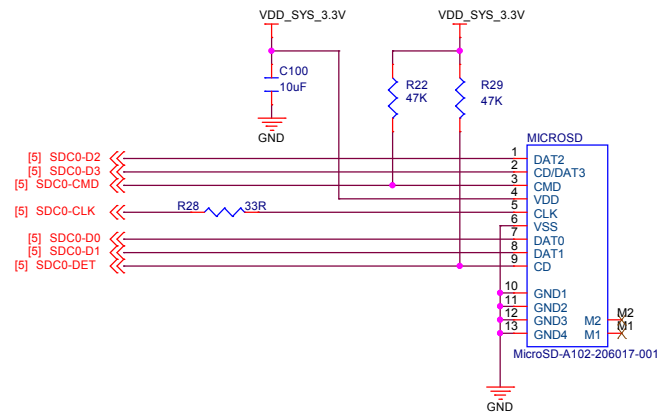
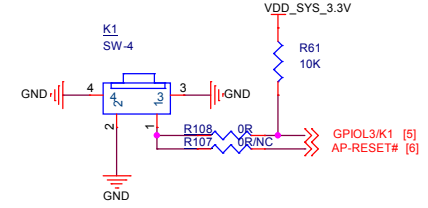
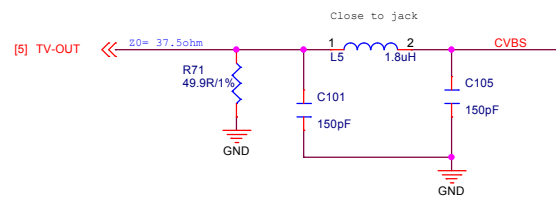
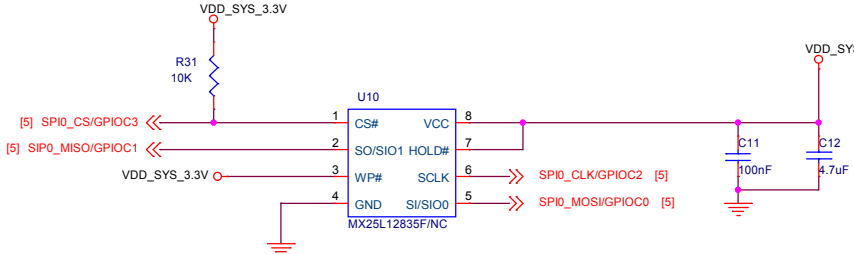
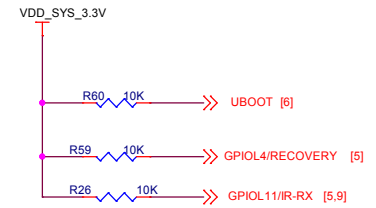
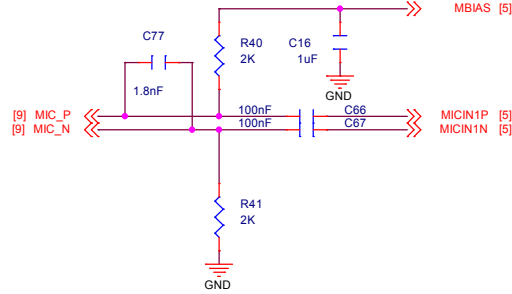
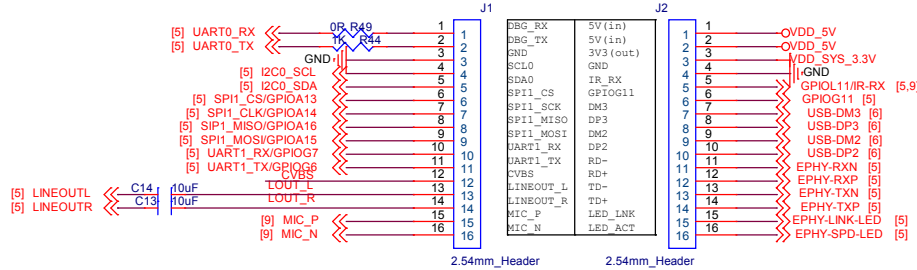
# POWER 01



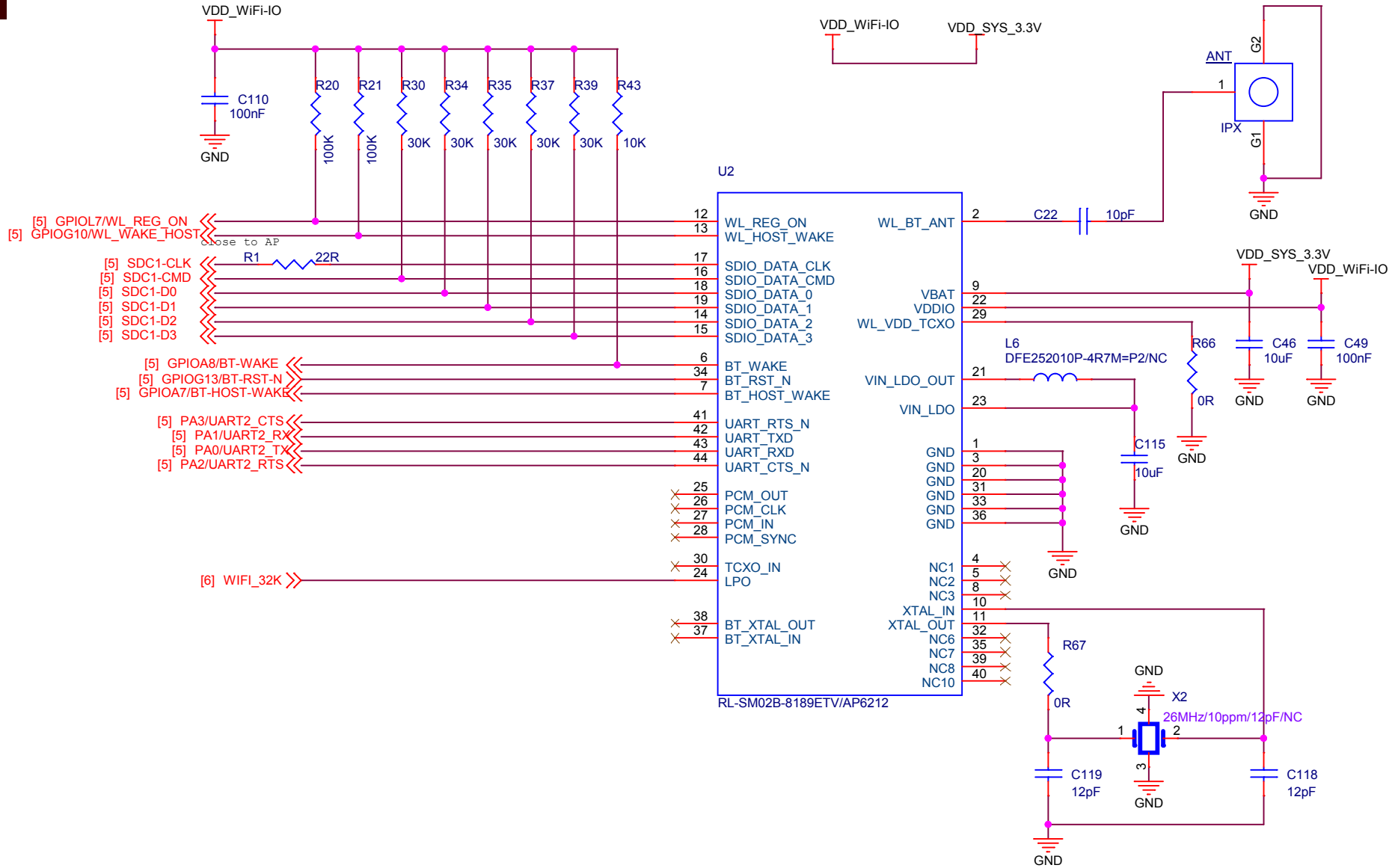




# GPIO,LEDs,TF Card,SPI Flash



# WIFI



NanoPi Duo2		
Size A4	Document Number WIFI	Rev V1.0 1807
Date:	Thursday, September 27, 2018	Sheet 10 of 11

# Camera

