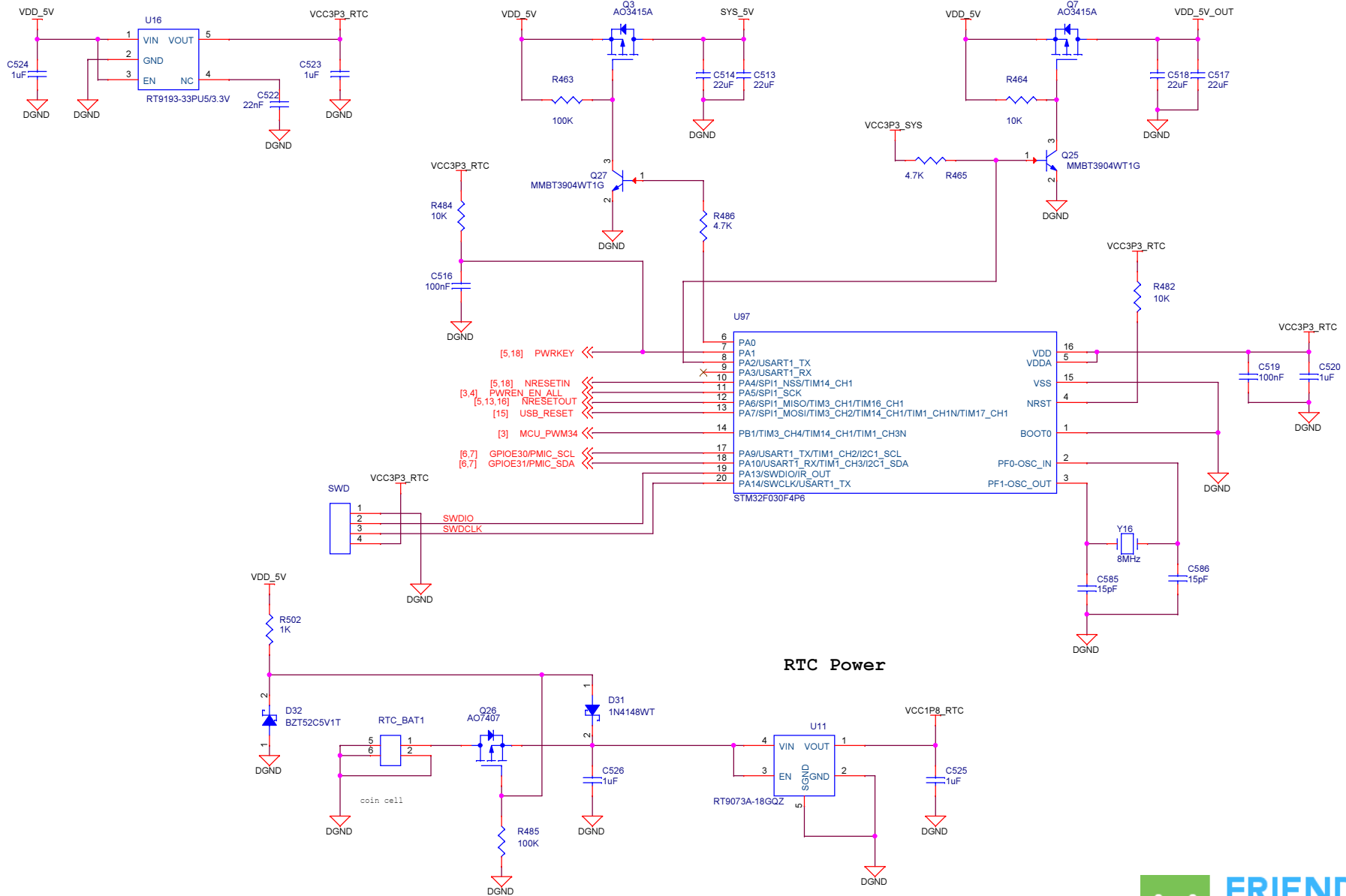


NanoPC T2/T3



NanoPC-T2/T3		
Size	Document Number	Rev
A3	01.Title	1711
Date:	Wednesday, January 10, 2018	Sheet 1 of 18

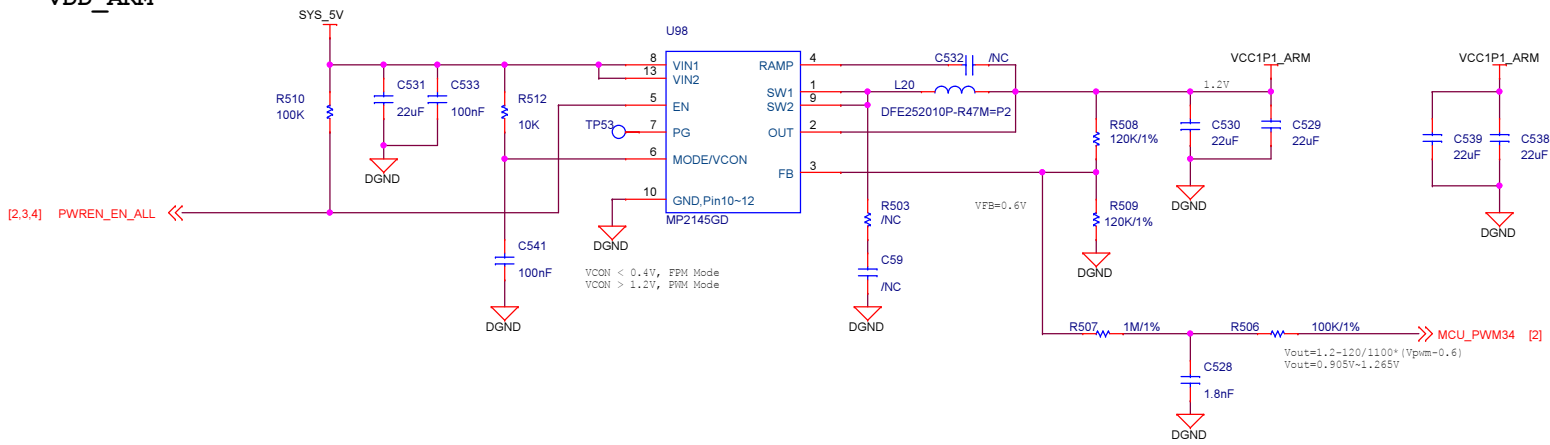


RTC Power

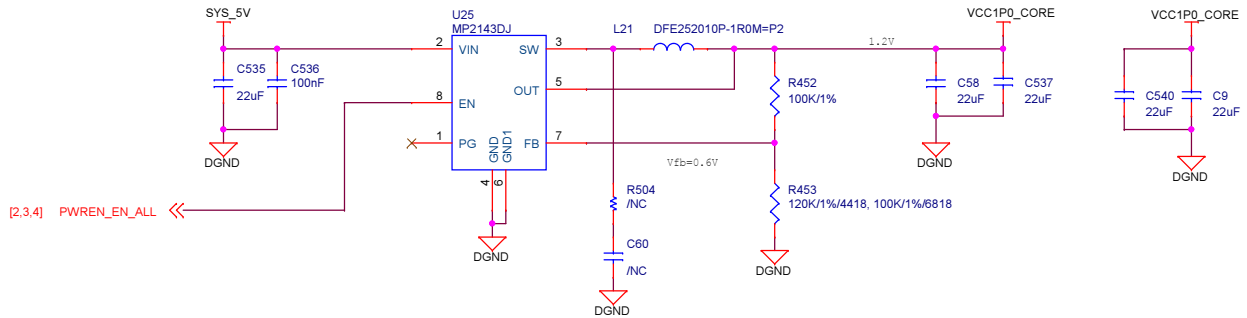


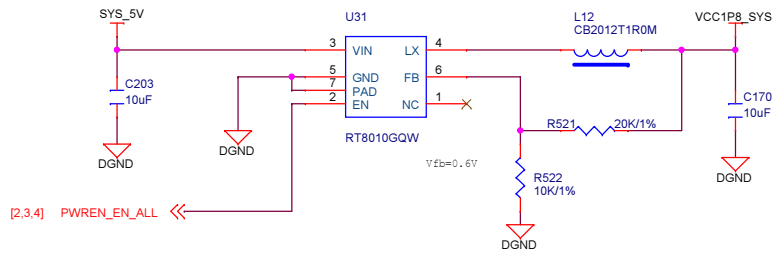
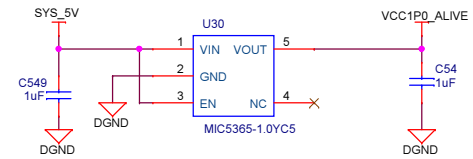
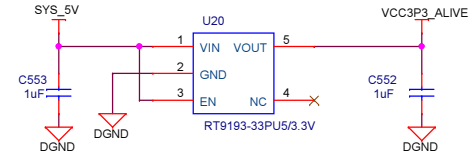
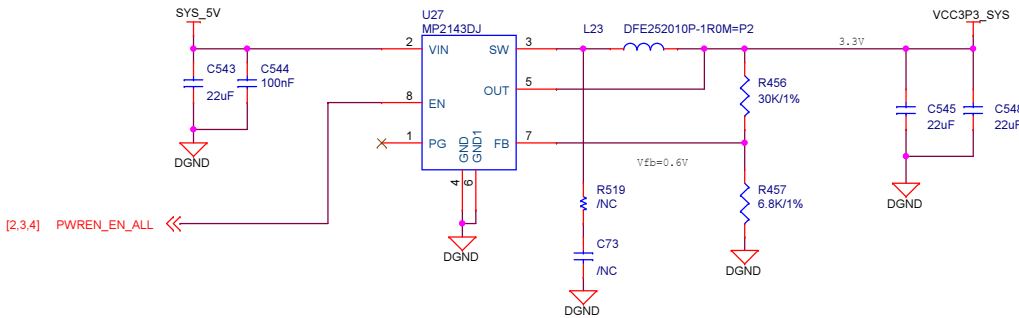
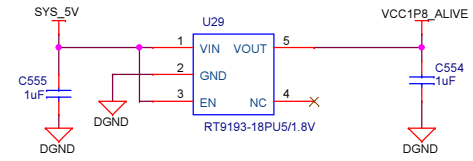
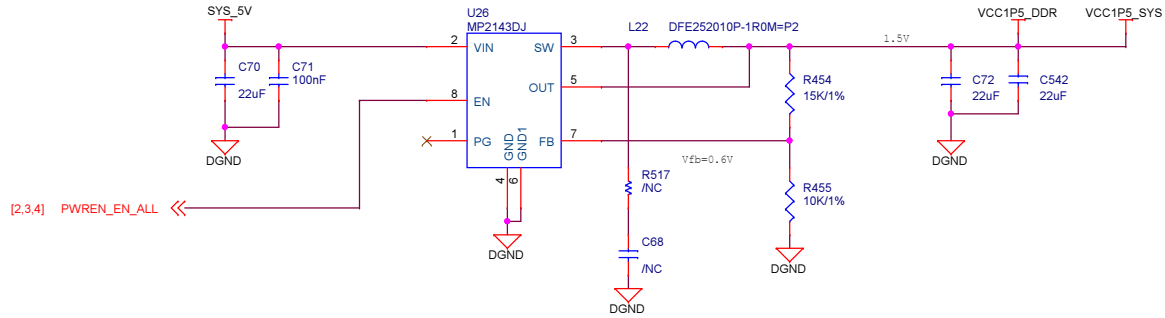
NanoPC-T2/T3		
Size A3	Document Number 02.VIN/RTC	Rev 1711
Date: Wednesday, January 10, 2018	Sheet 2	of 18

VDD_ARM



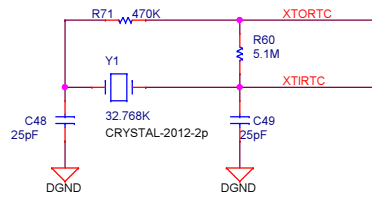
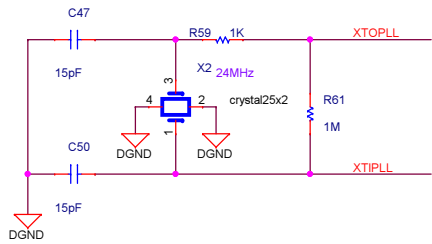
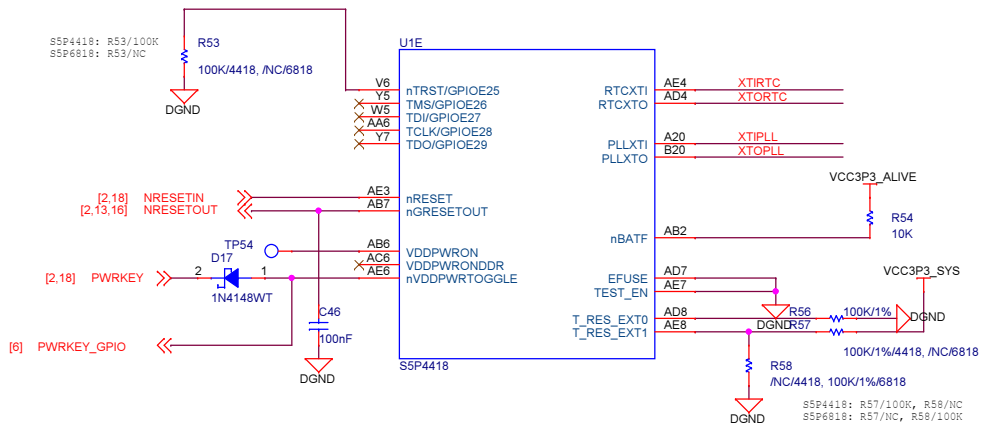
VDD_CORE



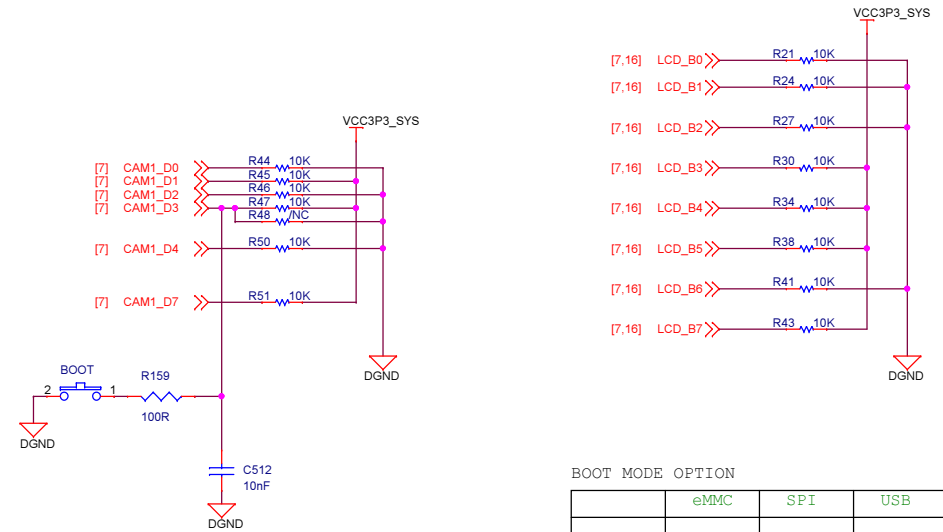


NanoPC-T2/T3		
Size	Document Number	Rev
A3	04.3.3V/1.8V/1.5V/alive	1711
Date:	Wednesday, January 10, 2018	Sheet 4 of 18

System Reset, Clocks



Boot Mode Config



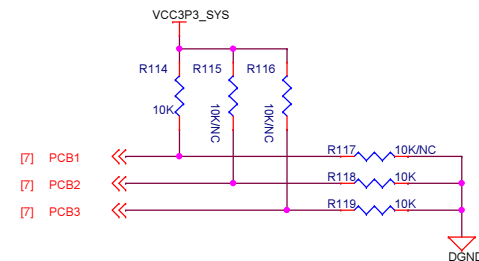
BOOT MODE OPTION

	eMMC	SPI	USB	NAND
SD0	HIGH	LOW	LOW	HIGH
SD1	LOW	LOW	HIGH	HIGH
SD2	HIGH	HIGH	HIGH	HIGH
SD4	LOW	HIGH		
SD5	LOW	LOW		

Boot media port select (SPI, eMMC)

	CH0	CH1	CH2
SD3	LOW	HIGH	LOW
CAM1_D3	LOW	LOW	HIGH

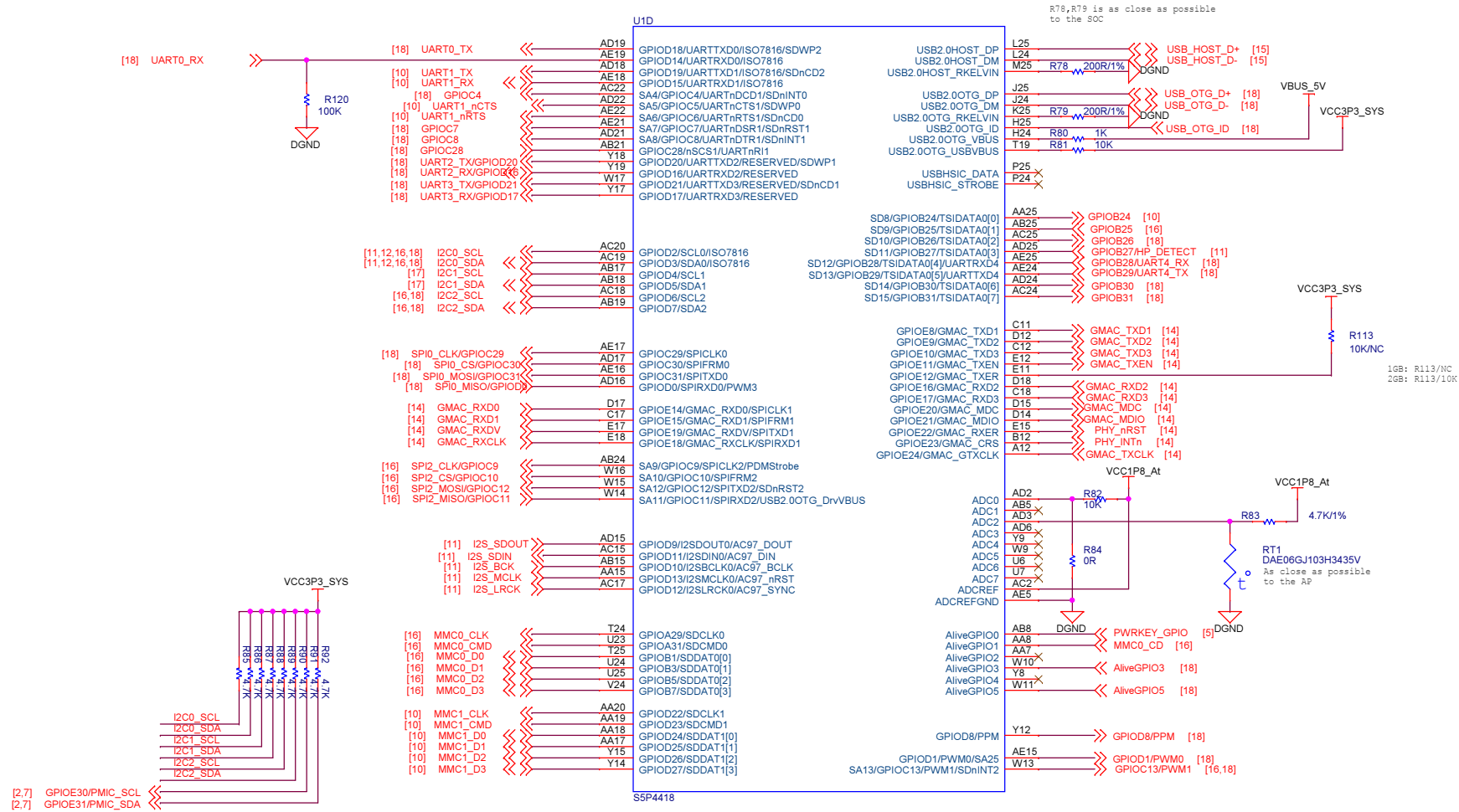
PCB Version



NanoPC-T2/T3

Size A3	Document Number 05.AP System Control	Rev 1711
Date: Wednesday, January 10, 2018	Sheet 5	of 18

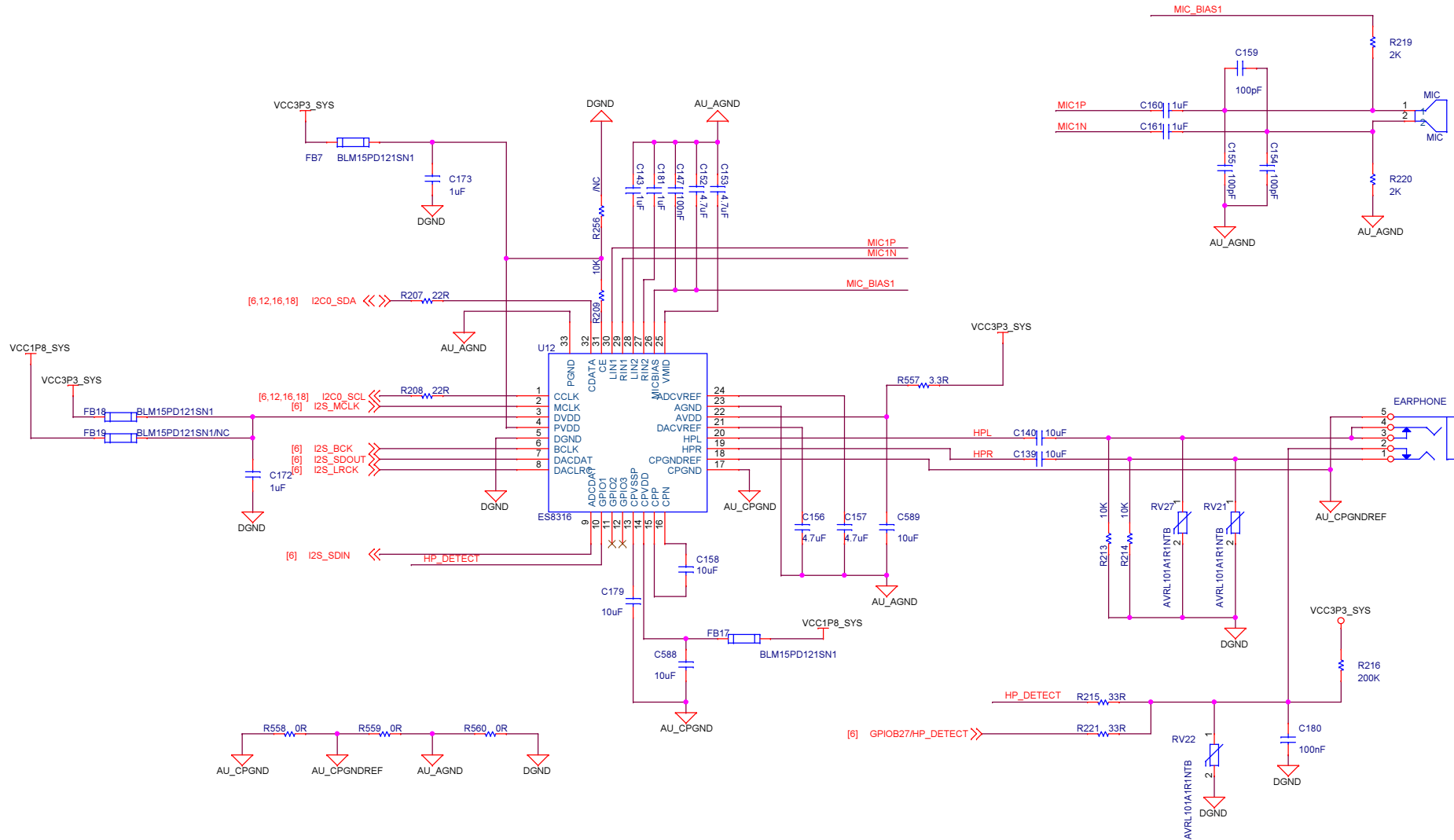
AP Peripherals



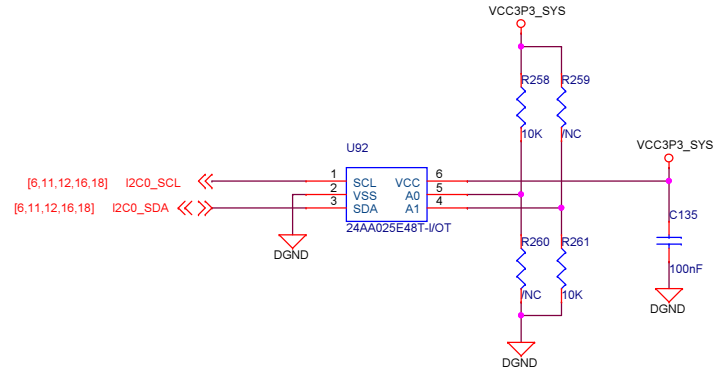
I2C CH0 : Camera
 I2C CH1 : HDMI EDDID
 I2C CH2 : Touch
 PMIC_I2C : PMIC



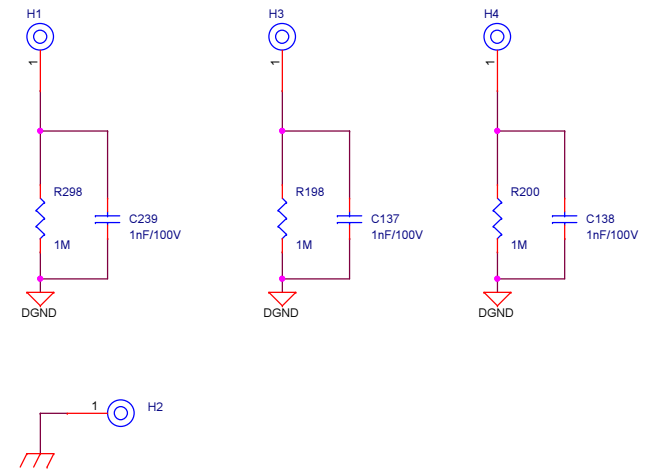
Audio



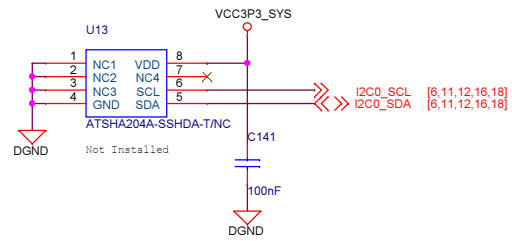
EEPROM with MAC Address



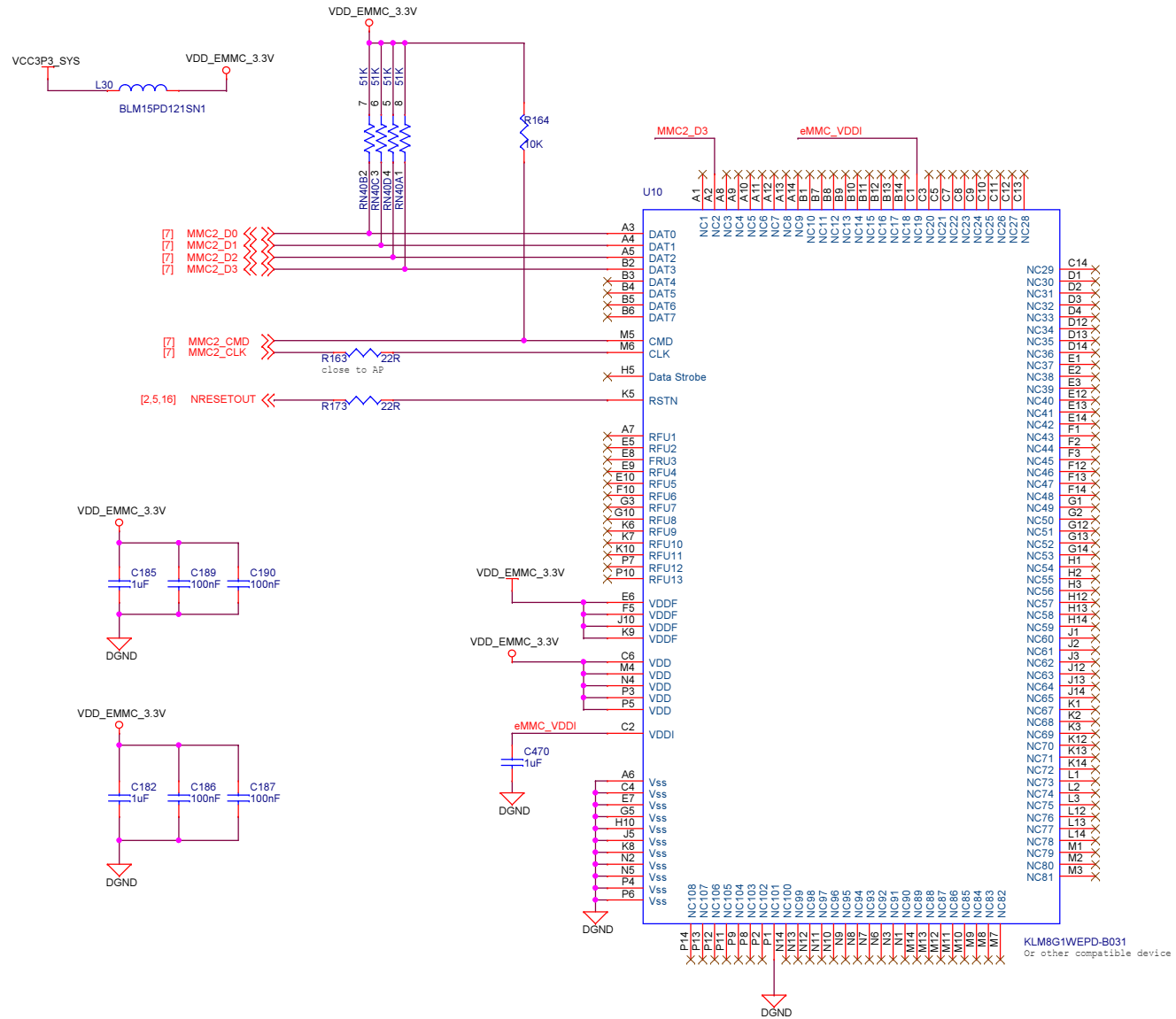
Mounting Holes



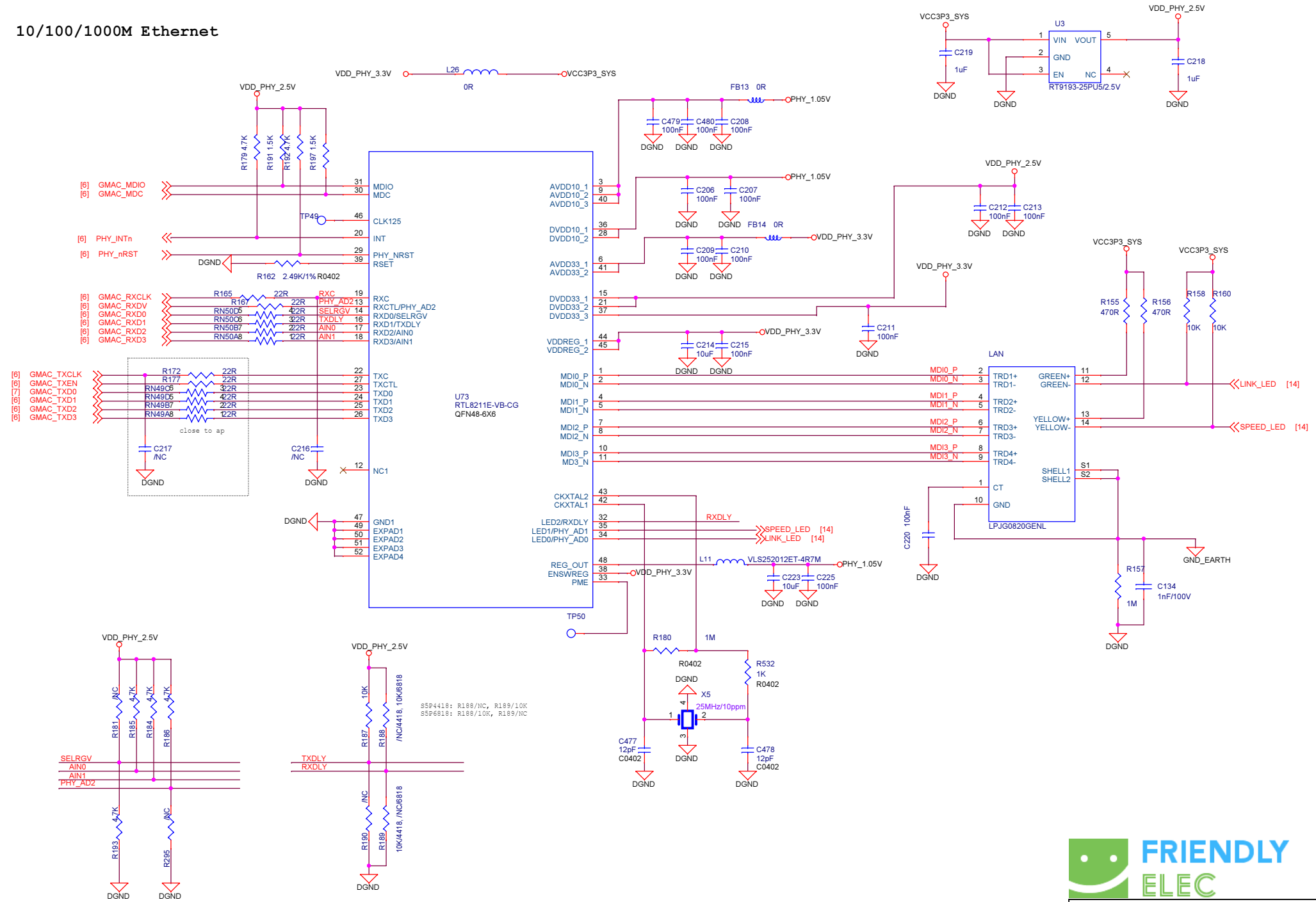
CryptoAuthentication



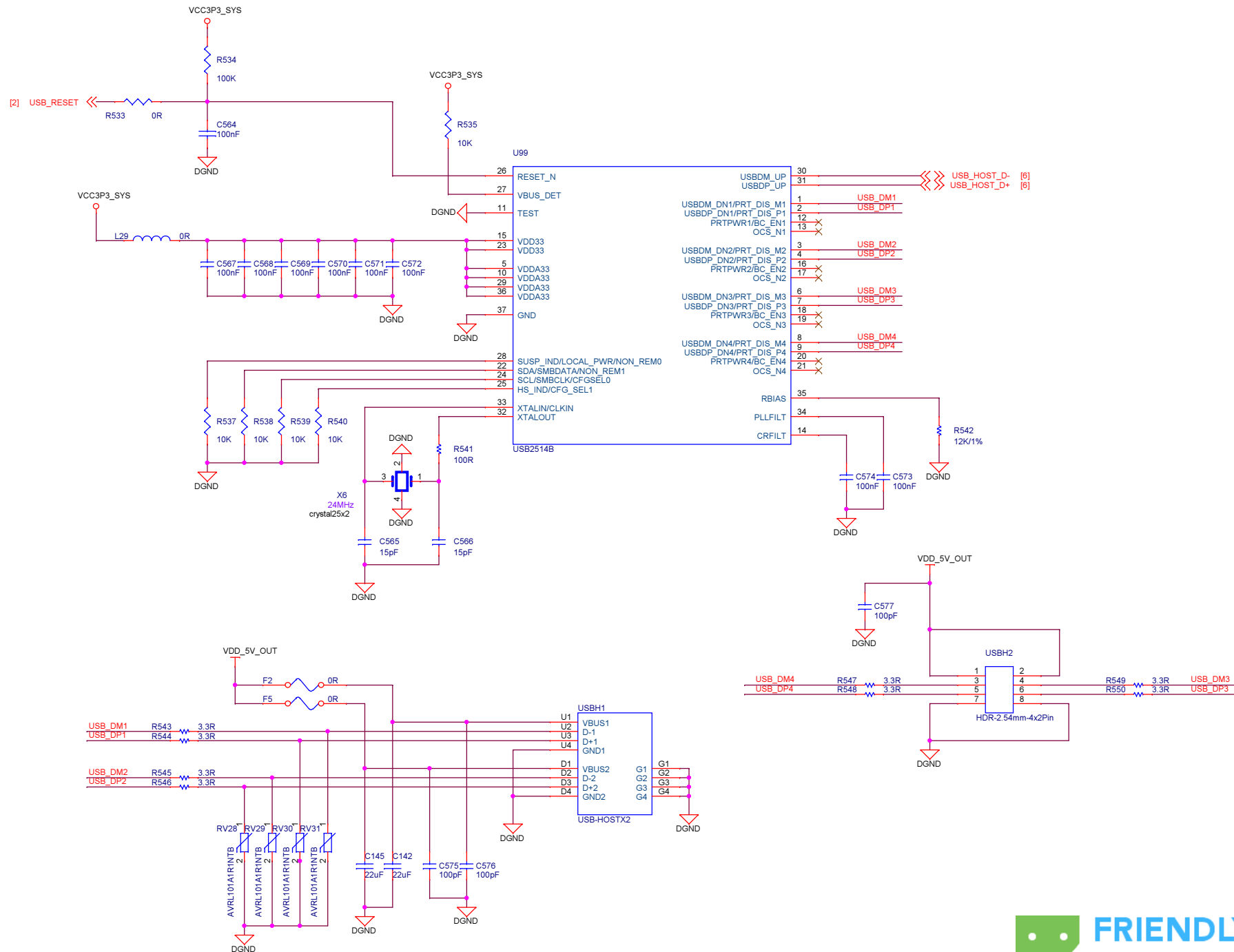
eMMC



10/100/1000M Ethernet

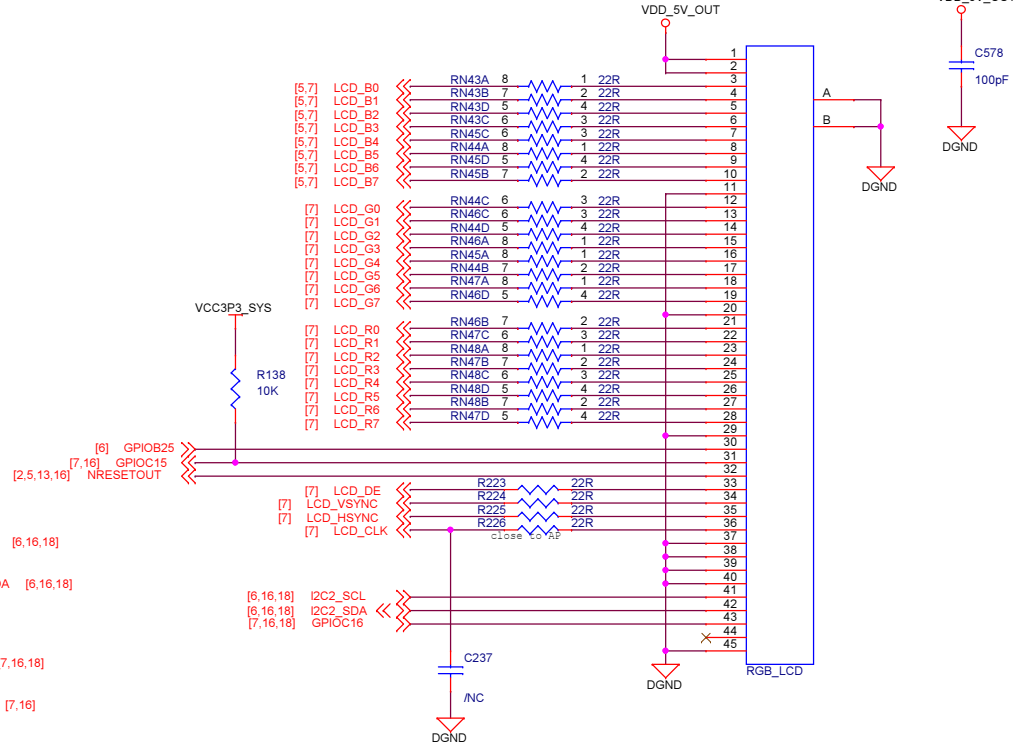
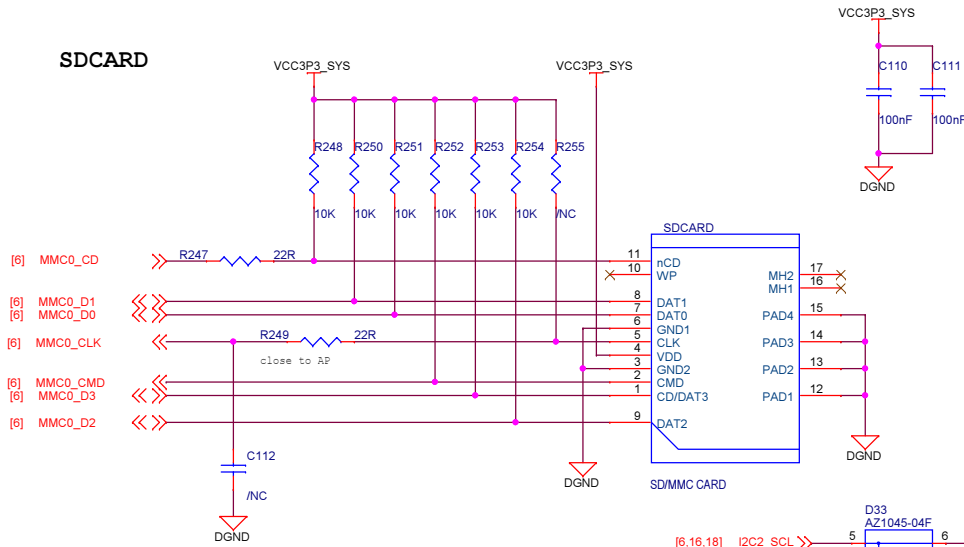


NanoPC-T2/T3		
Size A3	Document Number 14.LAN	Rev 1711
Date: Wednesday, January 10, 2018	Sheet 14	of 18

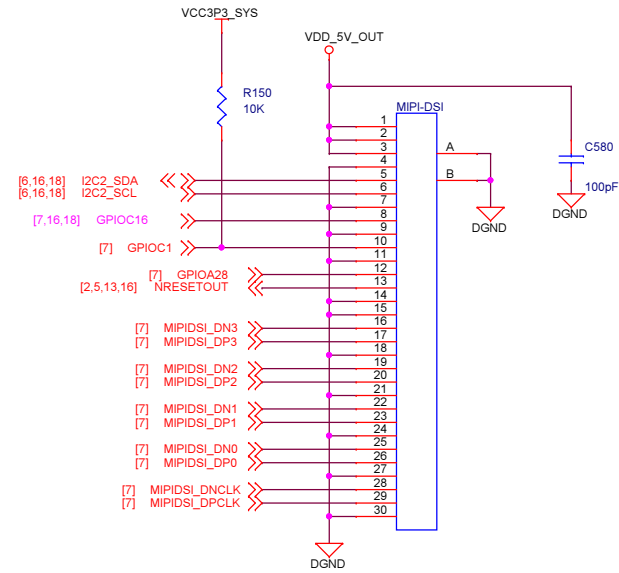
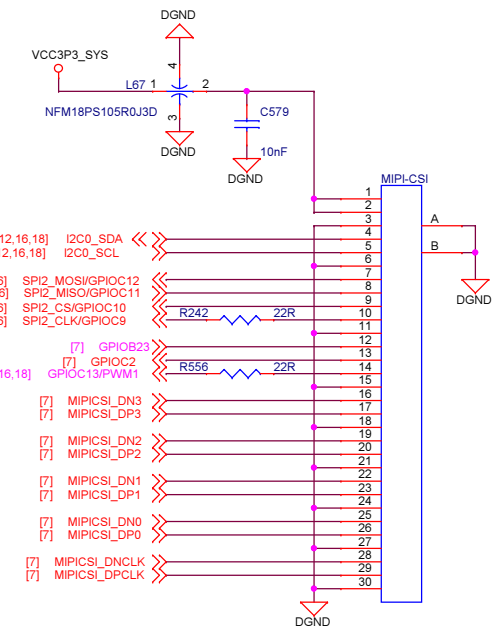
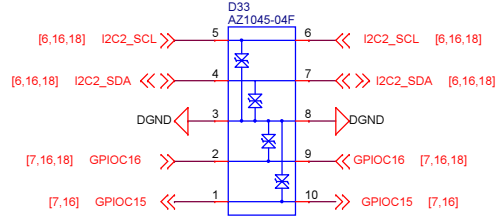


RGB LCD Interface

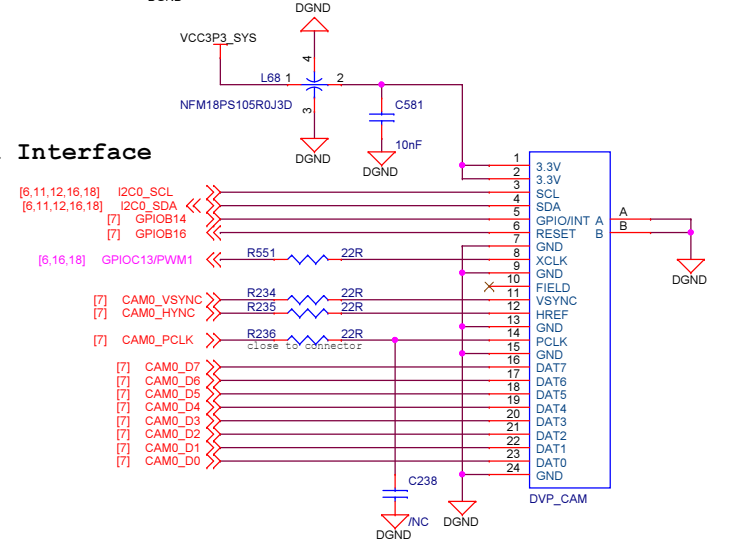
SDCARD



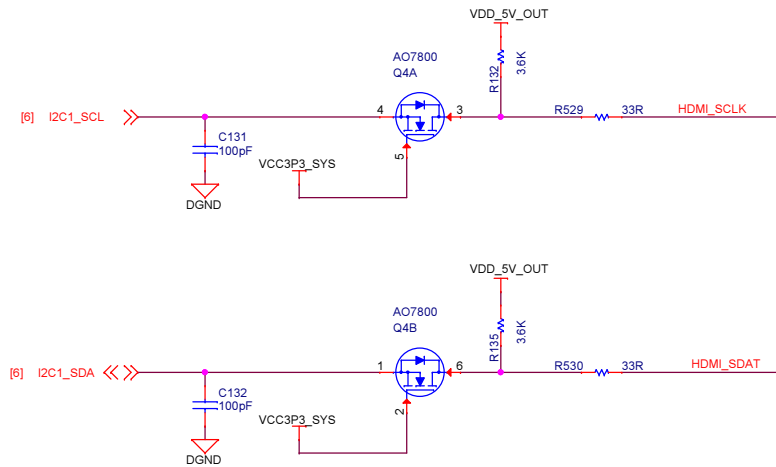
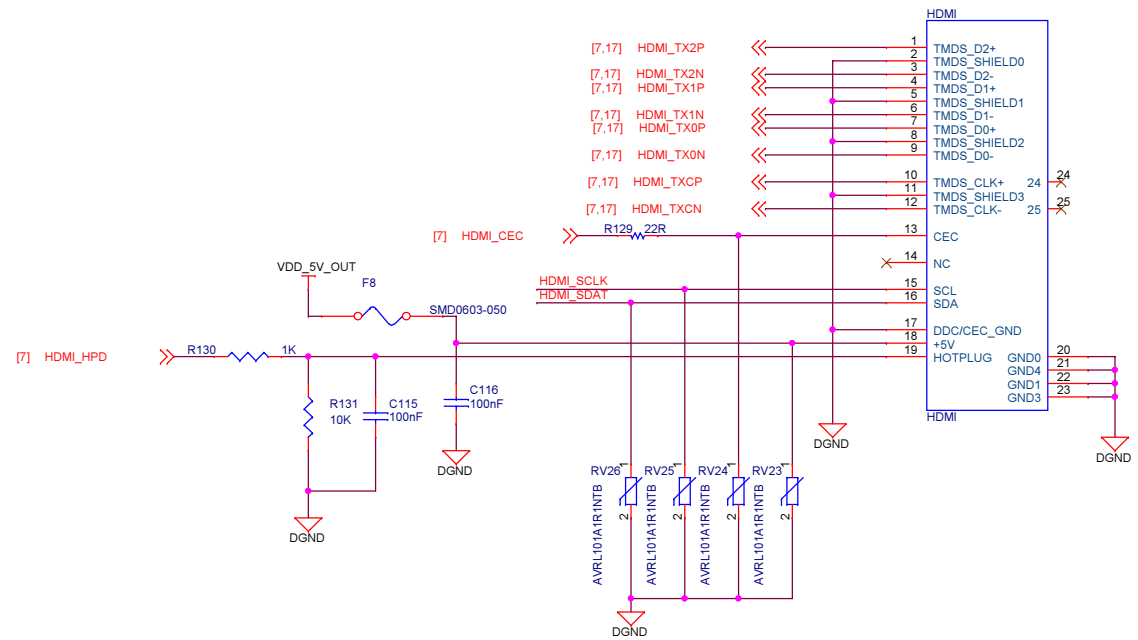
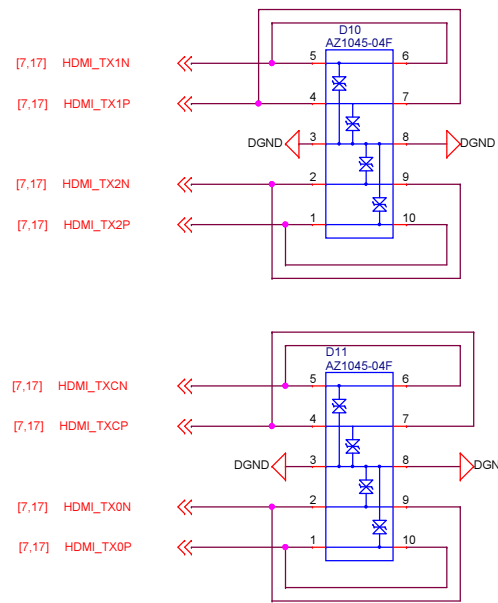
MIPI Interface



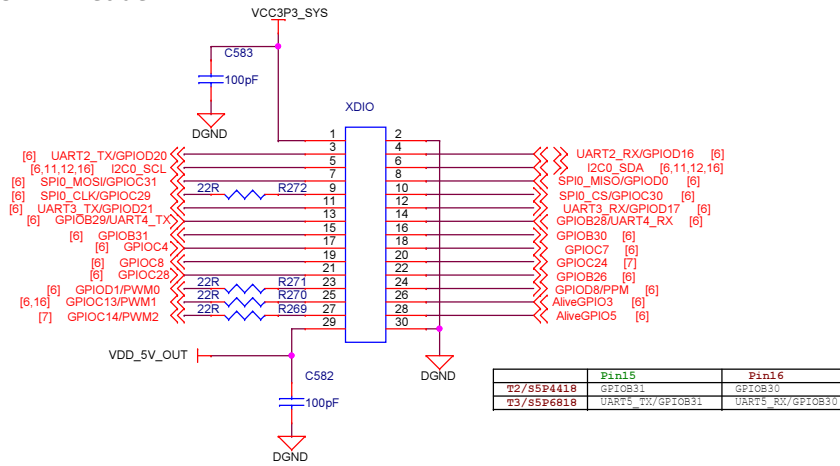
Camera Interface



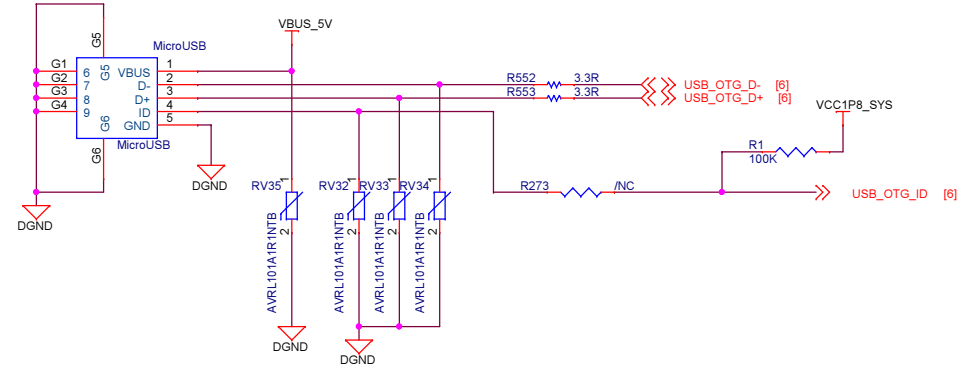
HDMI



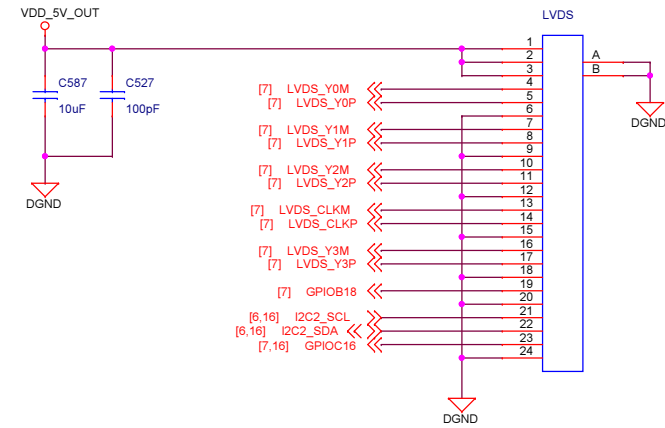
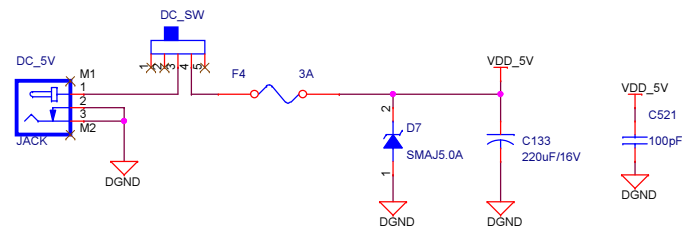
2.54mm Header



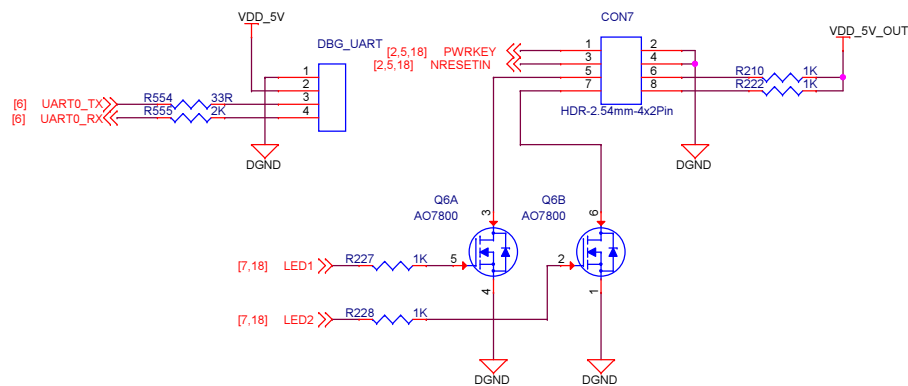
MicroUSB



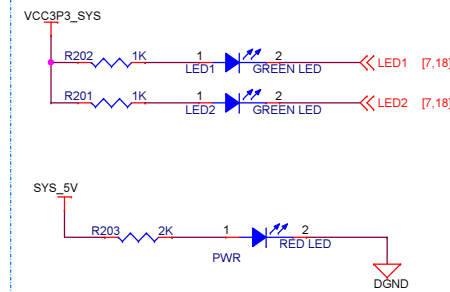
5V Power IN



Debug UART



LEDs



Buttons

