

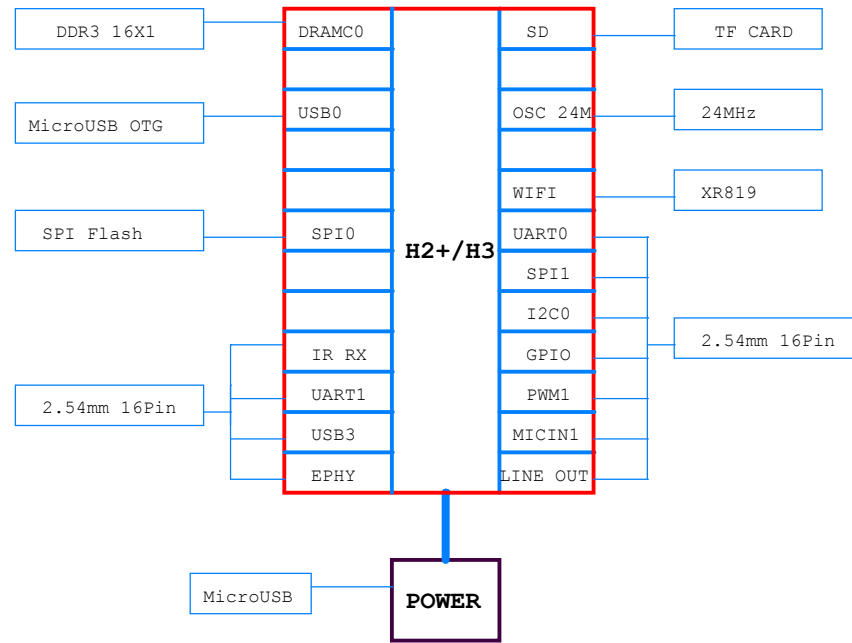
# NanoPi Duo

Revision 1706 , V1.0

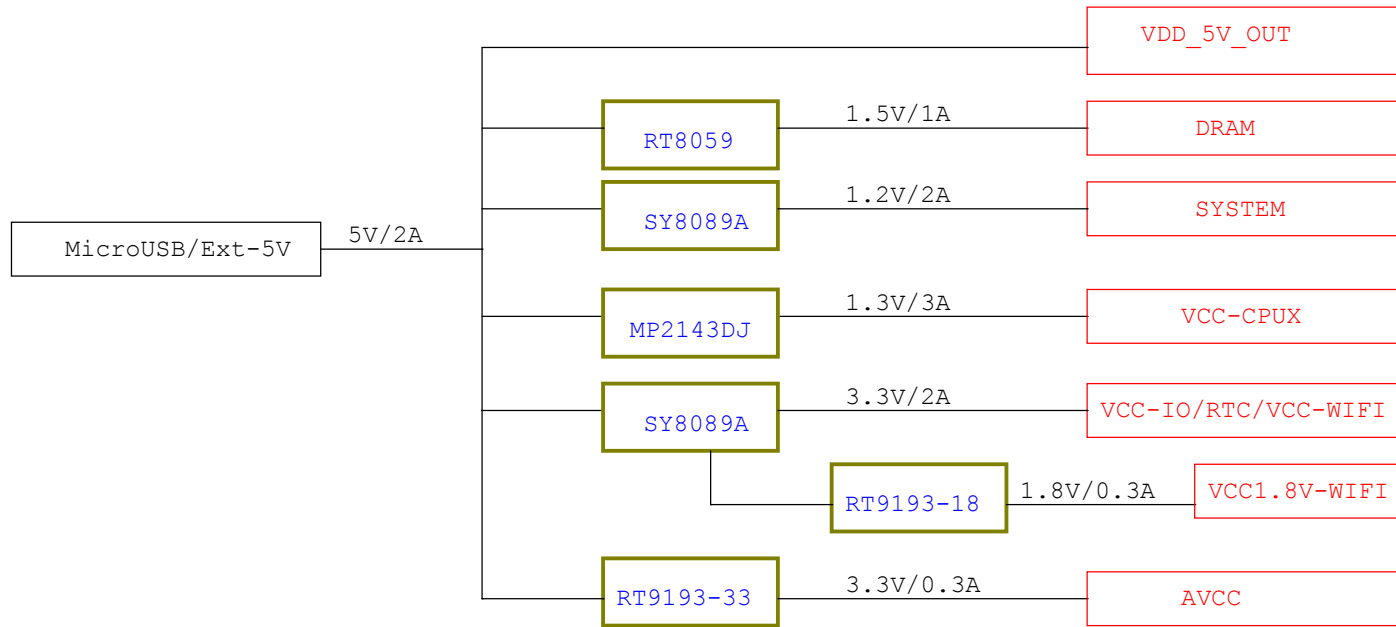


NanoPi Duo		
Size A3	Document Number Title	Rev 1706
Date:	Friday, July 14, 2017	Sheet 1 of 15

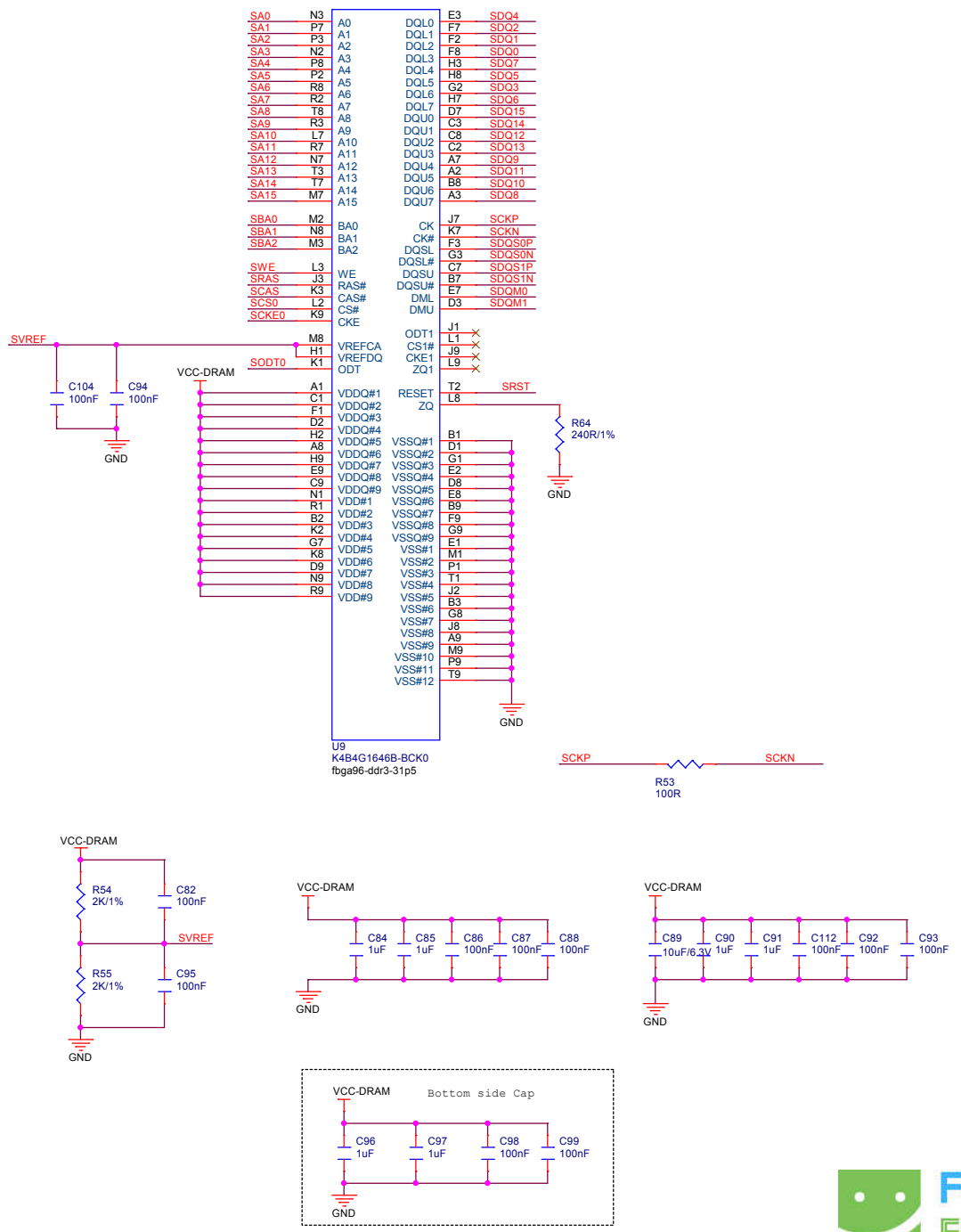
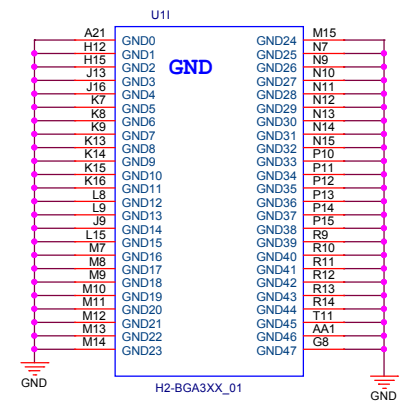
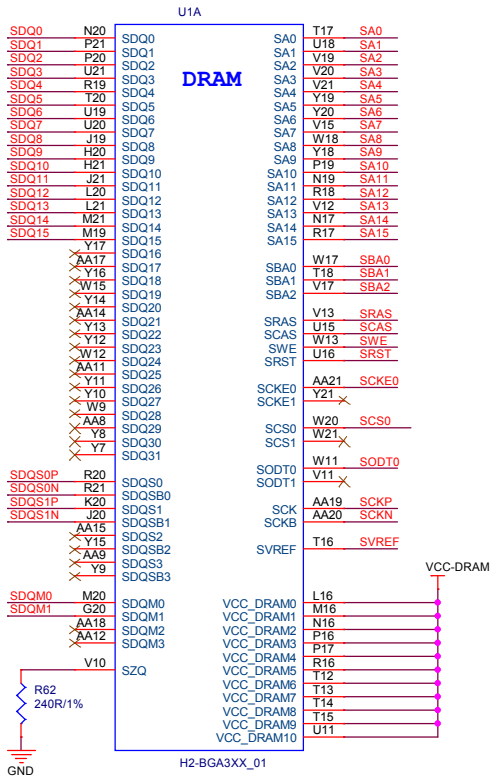
# BLOCK



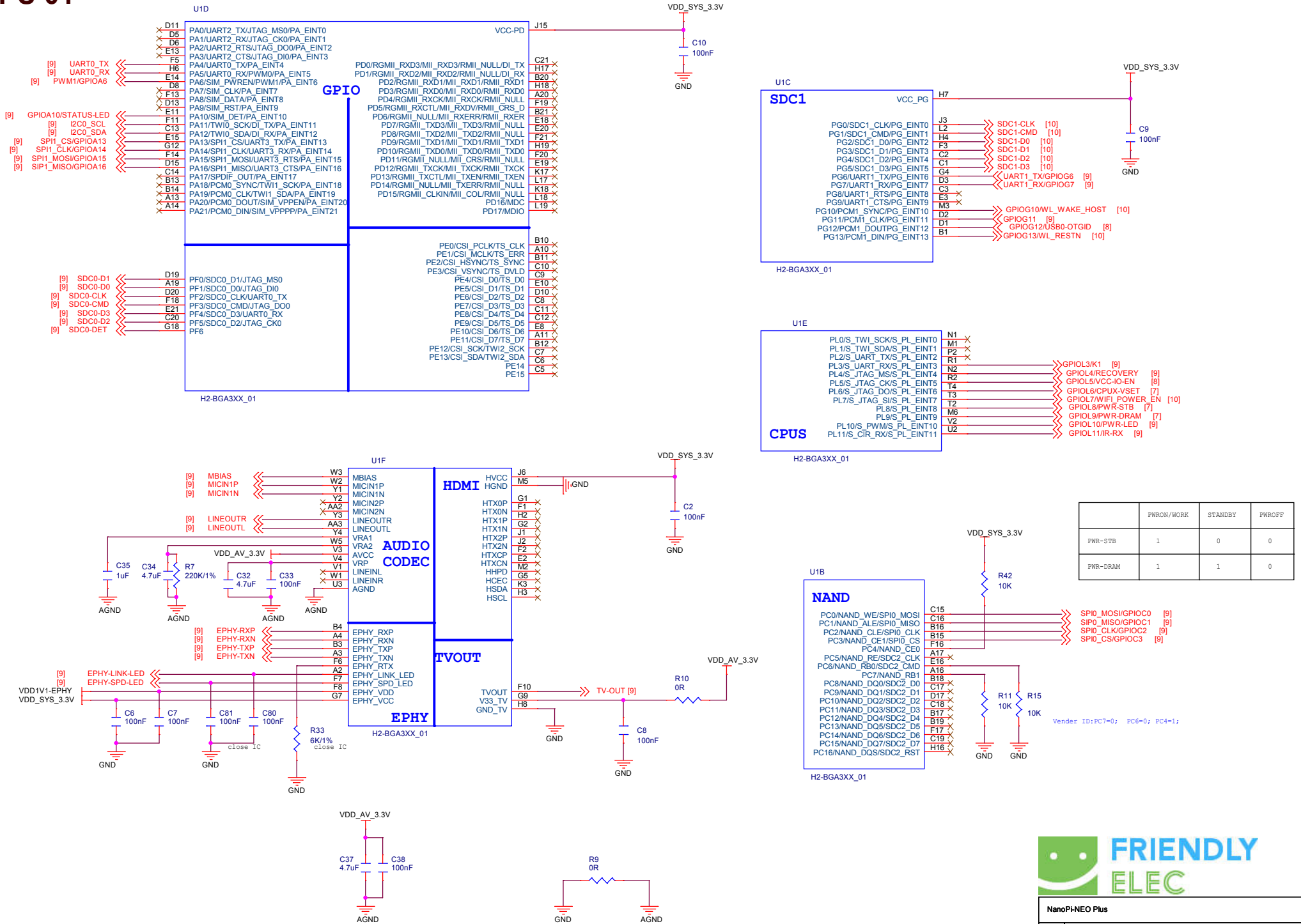
# POWER TREE



# DDR3 16x1



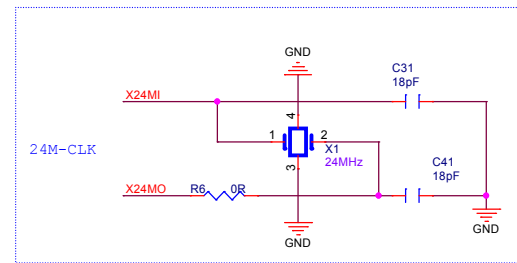
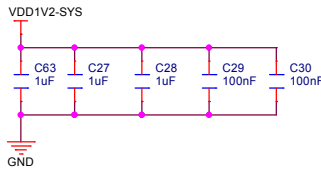
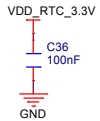
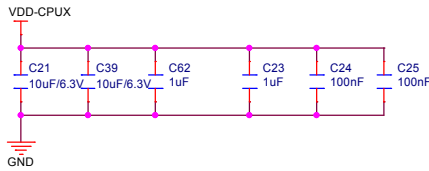
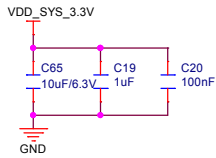
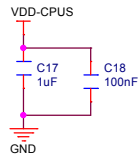
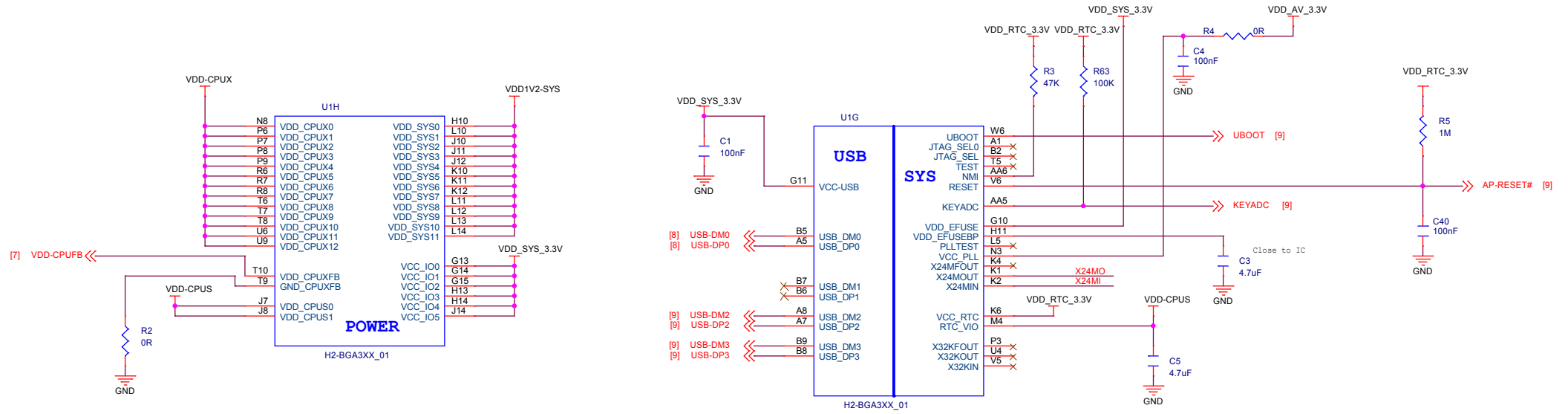
# CPU 01



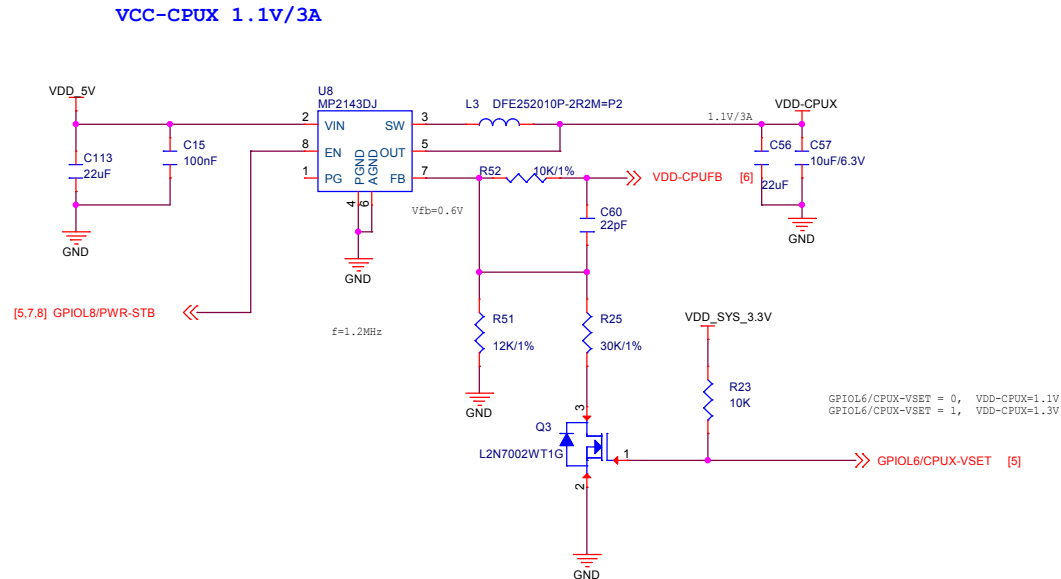
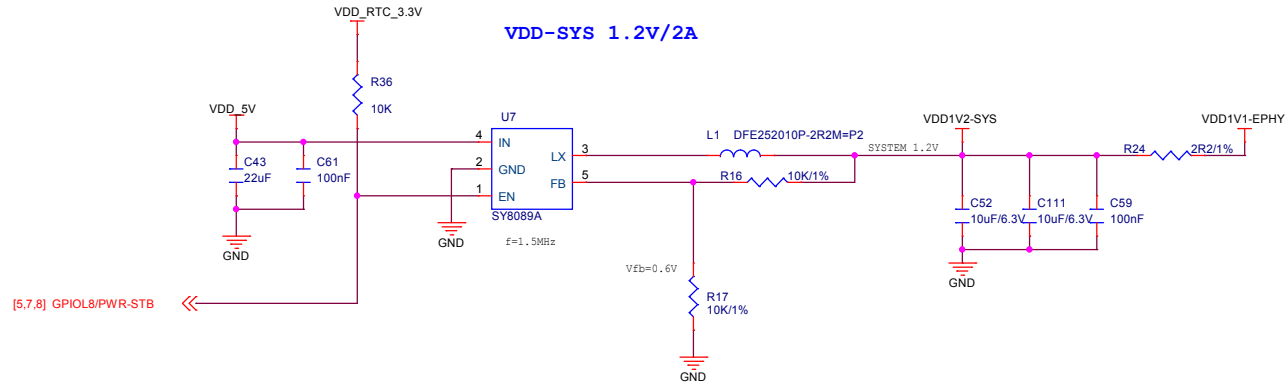
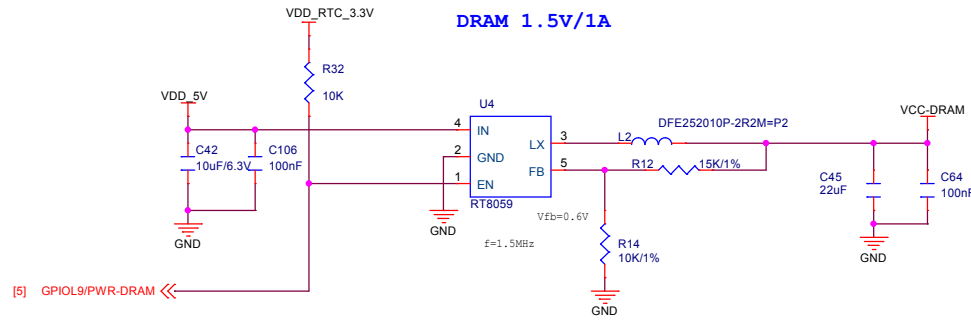
	PWRON/WORK	STANDBY	PWRDFF
PWR-STB	1	0	0
PWR-DRAM	1	1	0



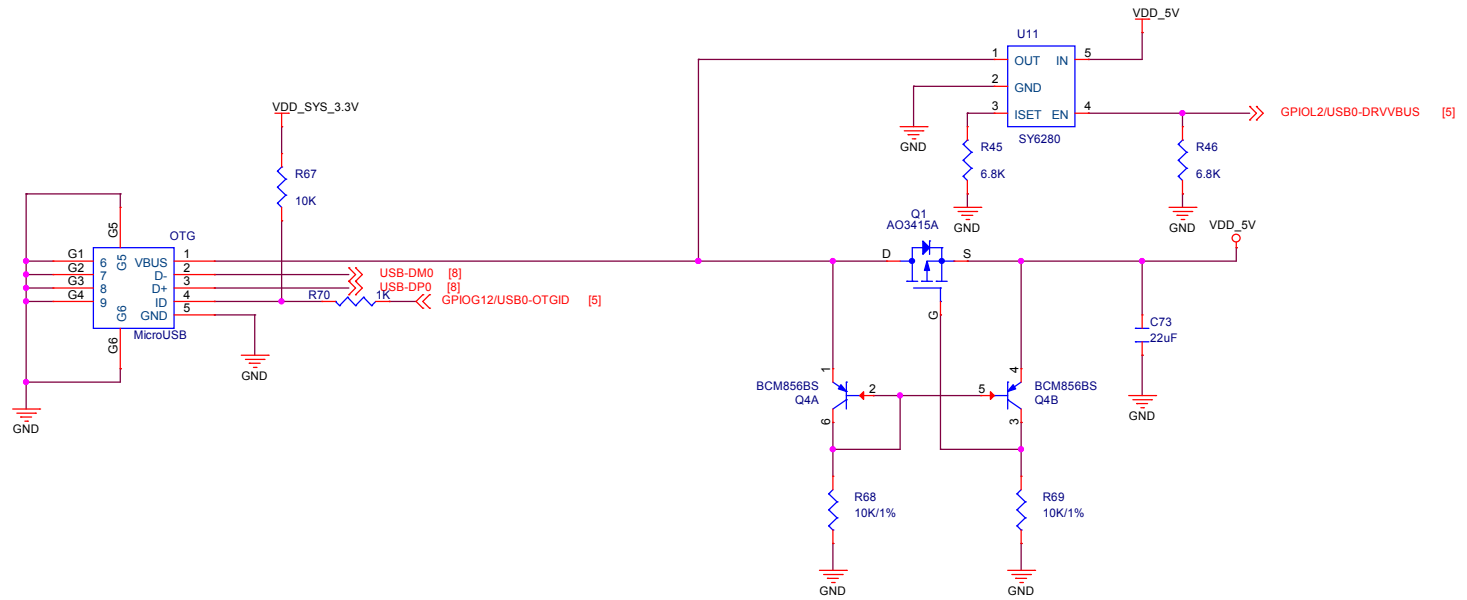
# CPU 02



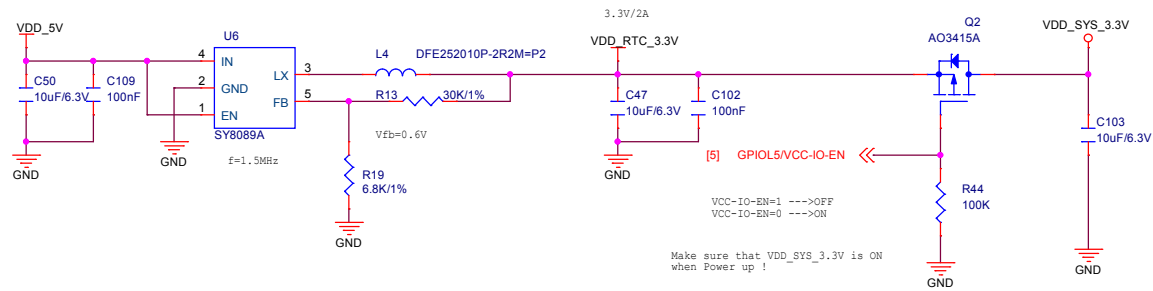
# POWER 01



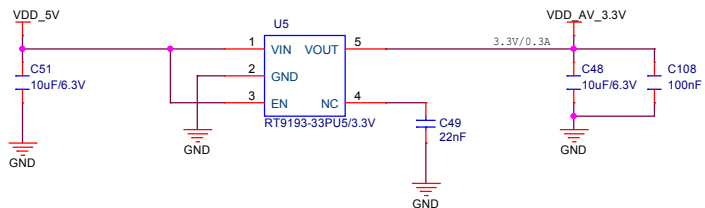
# POWER 02



## VCC-IO 3.3V/2A



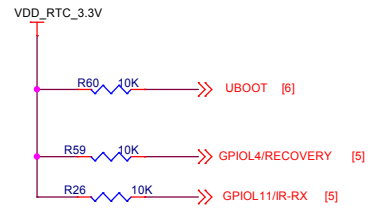
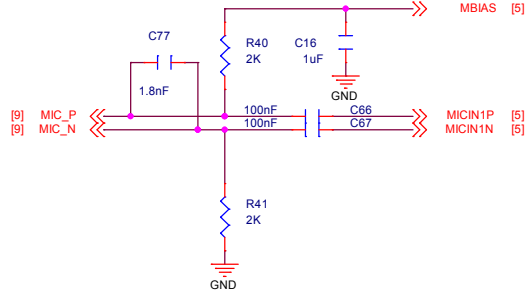
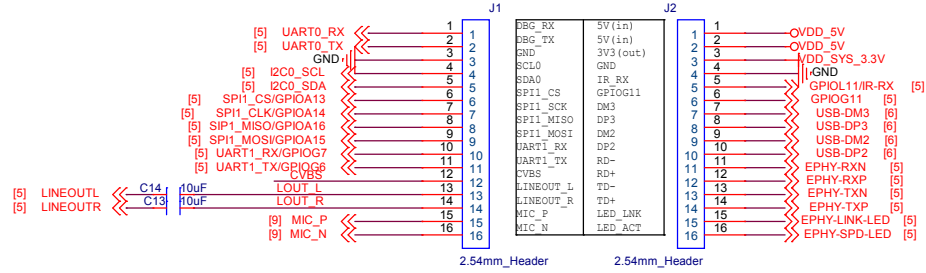
## VCC-AVCC 3.3V/0.3A



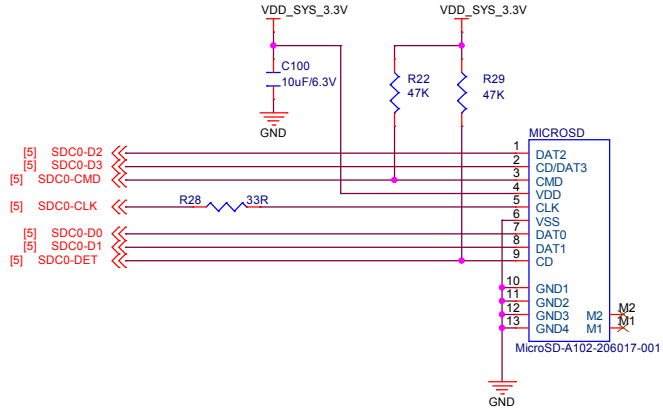
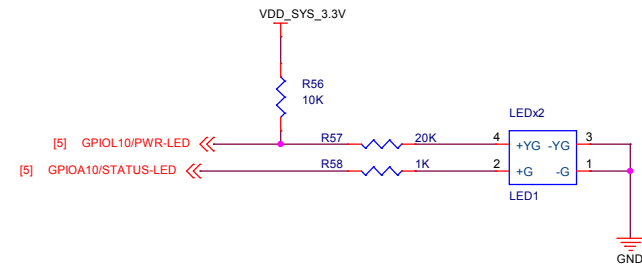
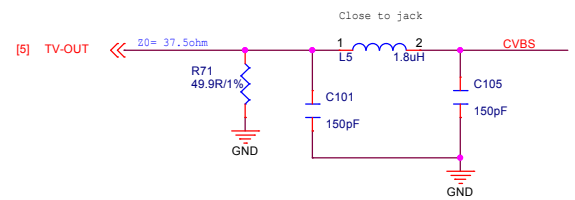
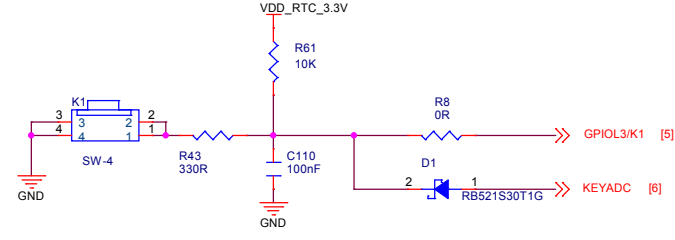
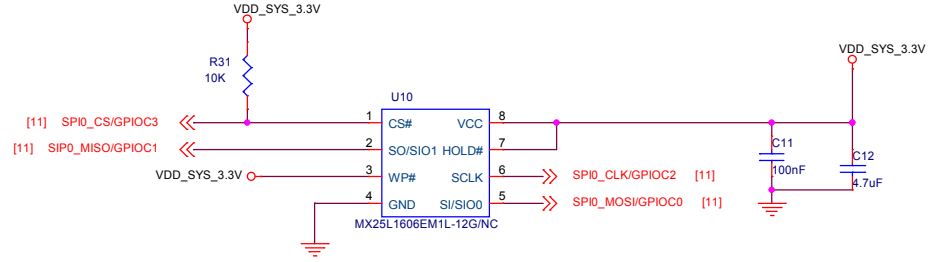
NanoPi-NEO Plus		
Size A3	Document Number POWER 02	Rev 1706
Date: Friday, July 14, 2017	Sheet 8	of 15



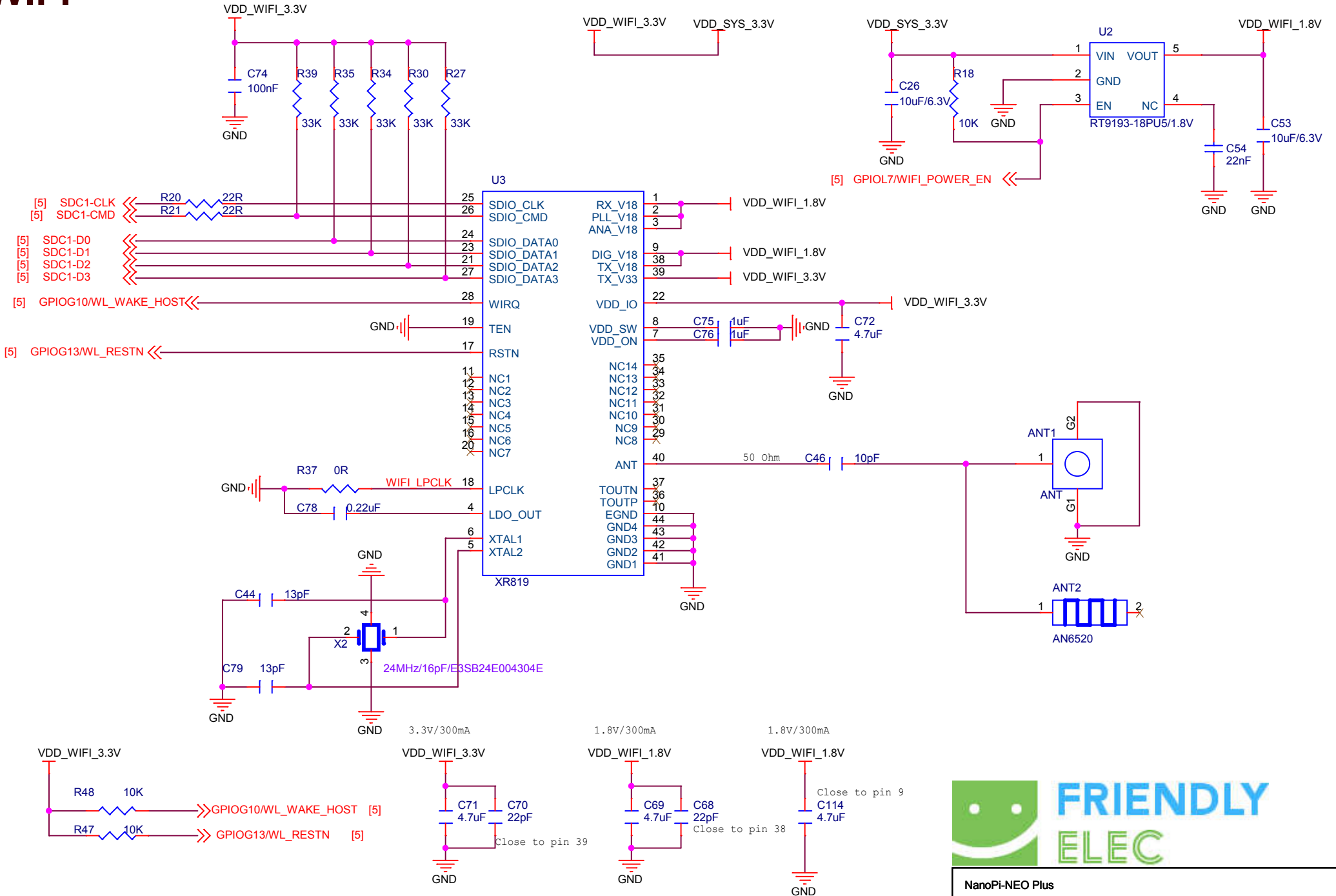
# GPIO,LEDs,TF Card



## SPI Flash



# WIFI



NanoPi-NEO Plus		
Size A4	Document Number WIFI	Rev 1706
Date:	Friday, July 14, 2017	Sheet 10 of 10