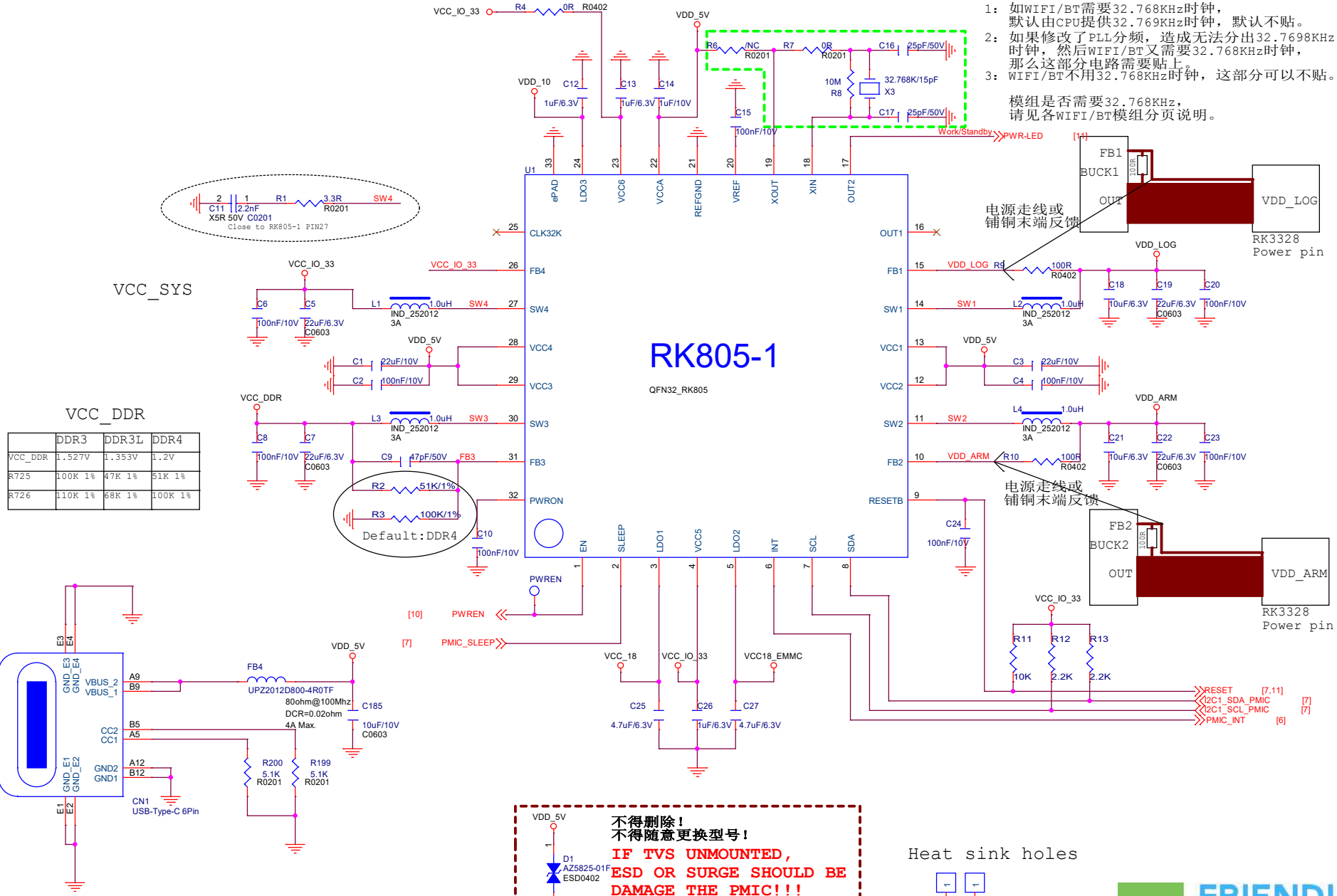


Power Timing

TYPE	VOLT	STEP	PowerName
BUCK1	1.1V		VDD_LOG
BUCK2	1.1V		VDD_ARM
BUCK3	FB=0.8V		VCC_DDR
BUCK4	3.3V		VCC_IO
LDO1	1.8V		VCC_18
LDO2	1.8V		VCC18_eMMC
LDO3	1.0V		VDD_10

IO电源域电压	IO电压 = 3.3V	IO电压 = 1.8V
VCCIO_PMU	3.3V	不支持
VCCIO1	3.3V	不支持
VCCIO2		1.8V (默认) eMMC
VCCIO3	3.3V (默认)	
VCCIO4	3.3V (默认)	
VCCIO5	3.3V (默认)	
VCCIO6	3.3V (默认)	





VCC_DDR

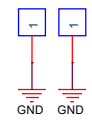
	DDR3	DDR3L	DDR4
VCC_DDR	1.527V	1.353V	1.2V
R725	100K 1%	47K 1%	51K 1%
R726	110K 1%	68K 1%	100K 1%

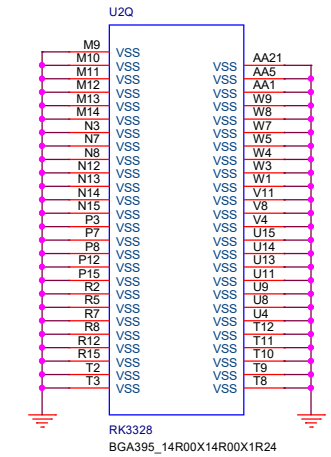
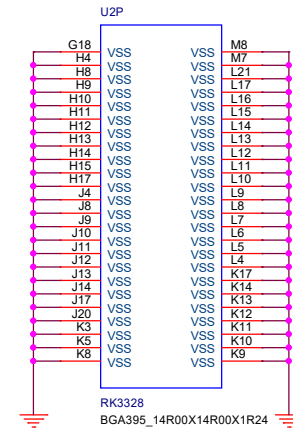
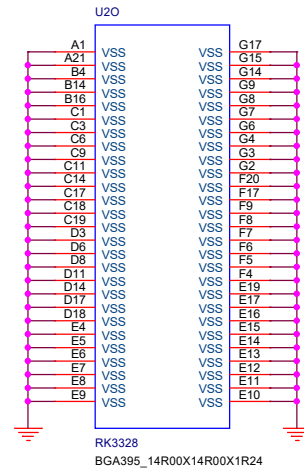
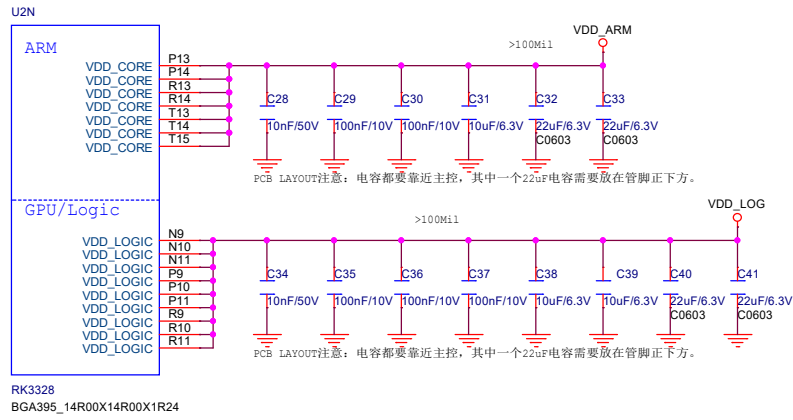
- 1: 如WiFi/BT需要32.768KHz时钟, 默认由CPU提供32.769KHz时钟, 默认不贴。
 - 2: 如果修改了PLL分频, 造成无法分出32.769KHz时钟, 然后WiFi/BT又需要32.768KHz时钟, 那么这部分电路需要贴上。
 - 3: WiFi/BT不用32.768KHz时钟, 这部分可以不贴。
- 模组是否需要32.768KHz, 请见各WiFi/BT模组分页说明。

Default: DDR4

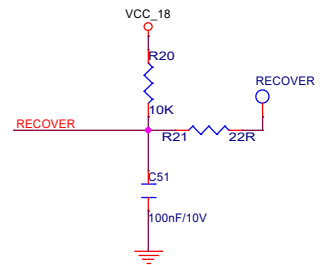
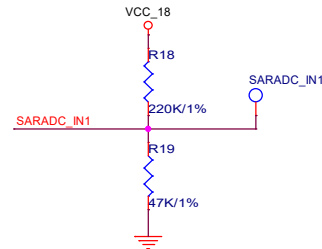
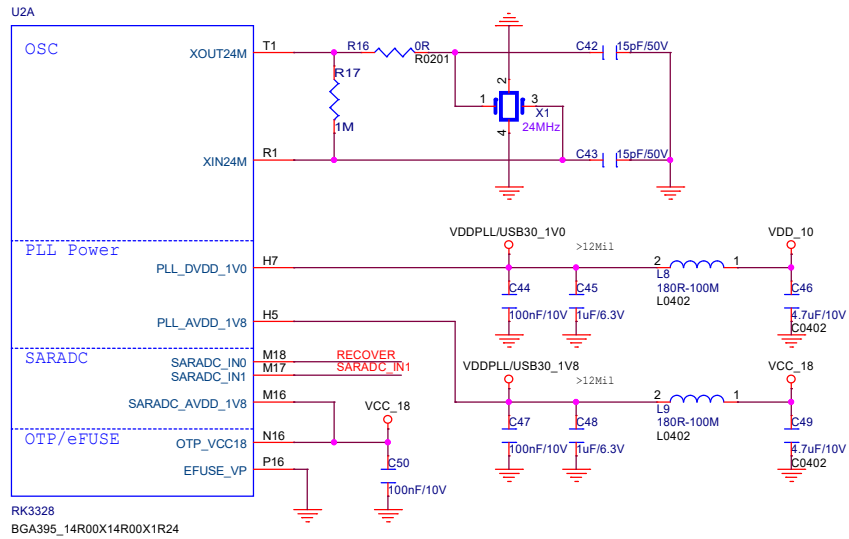
不得删除!
不得随意更换型号!
IF TVS UNMOUNTED,
ESD OR SURGE SHOULD BE
DAMAGE THE PMIC!!!
如果采用5v适配器, 那这个器件必须贴。
型号建议不更换, 要更换需相同的规格。
Operating Supply Voltage : 5.5V(5.25-6V)
Peak Pulse Current: >10A (tp=8/20us)
Surge Clamping Voltage: <6.5V
DO NOT DELETE IT!

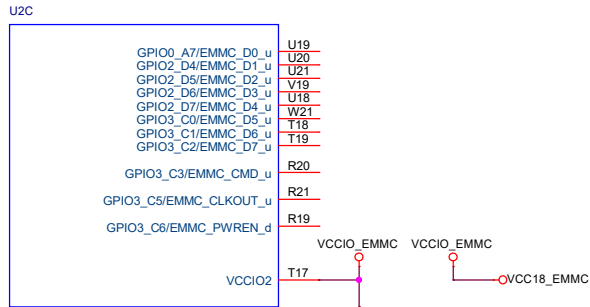
Heat sink holes



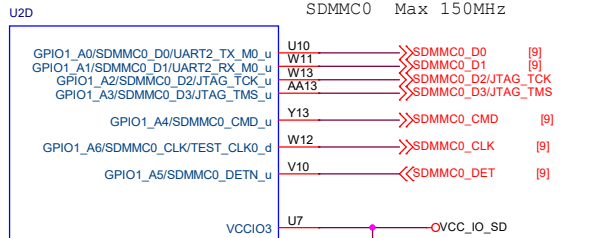


RK3328 OSC/PLL/OTP/SARADC

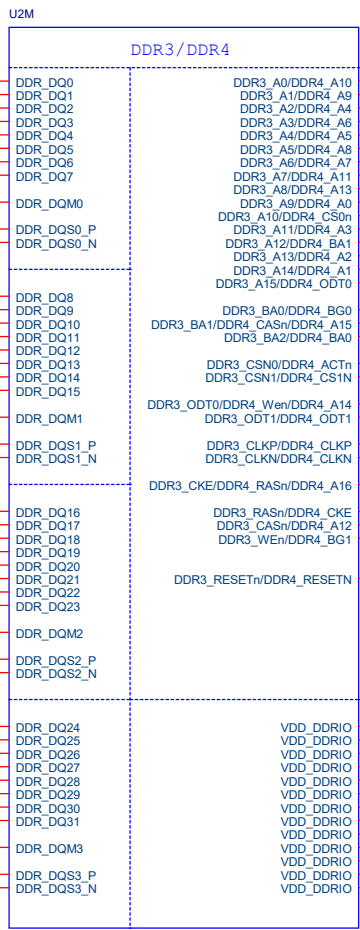
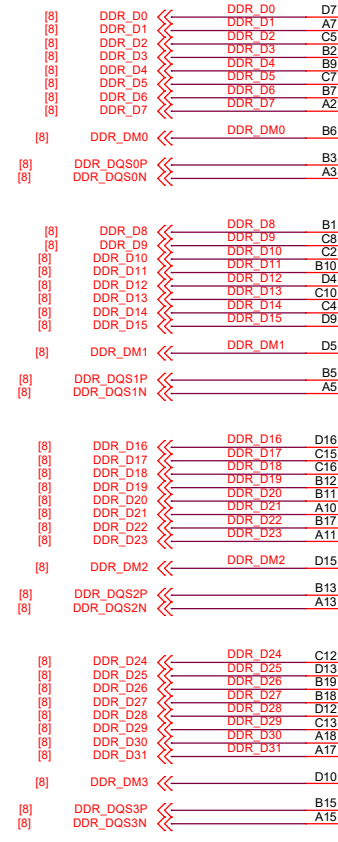




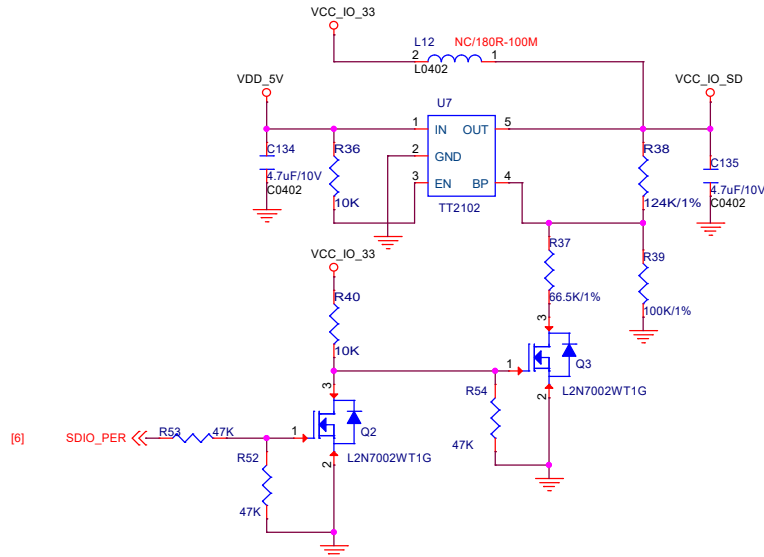
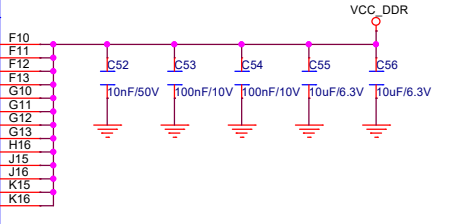
RK3328
 BGA395_14R00X14R00X1R24

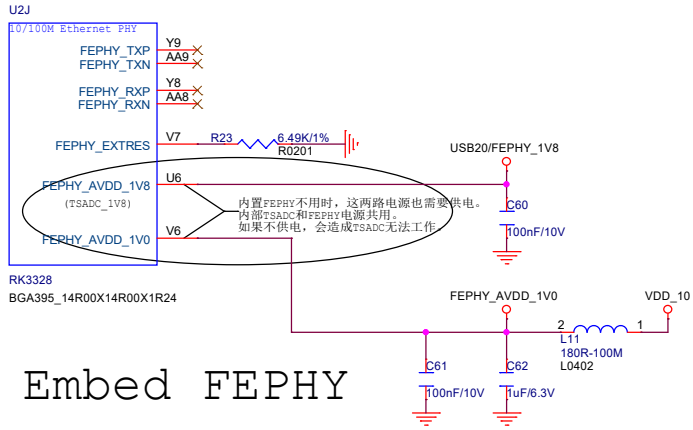
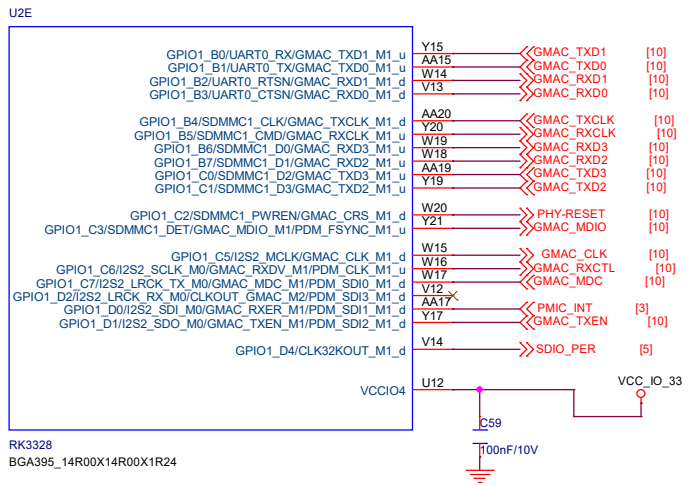


RK3328
 BGA395_14R00X14R00X1R24

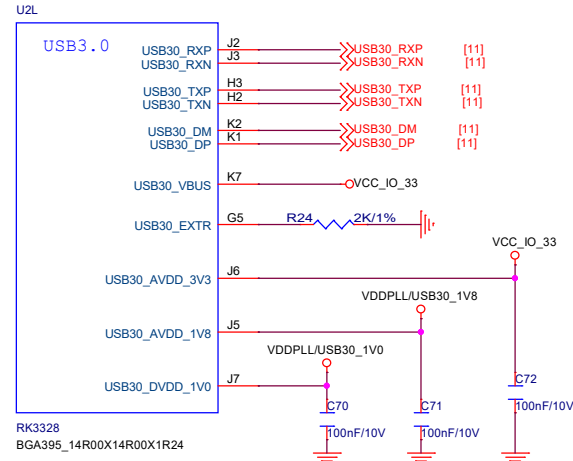
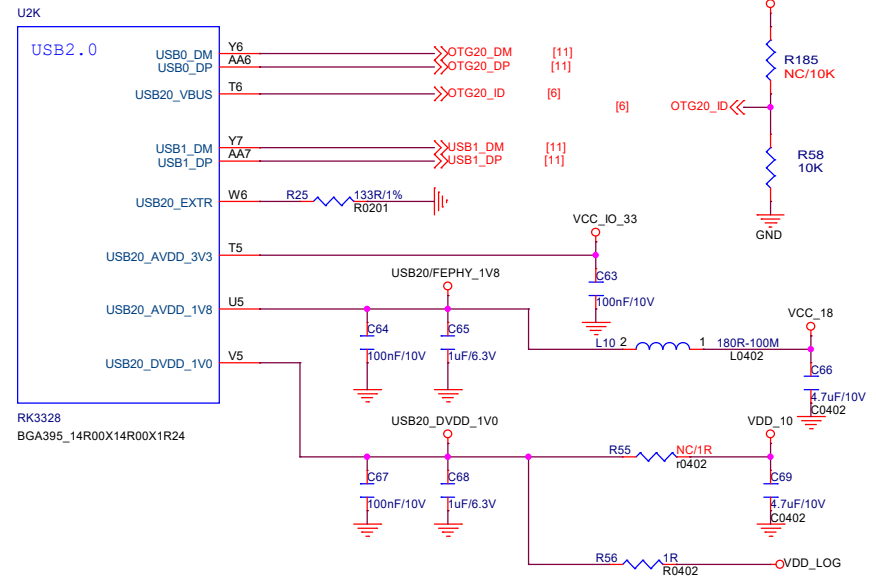
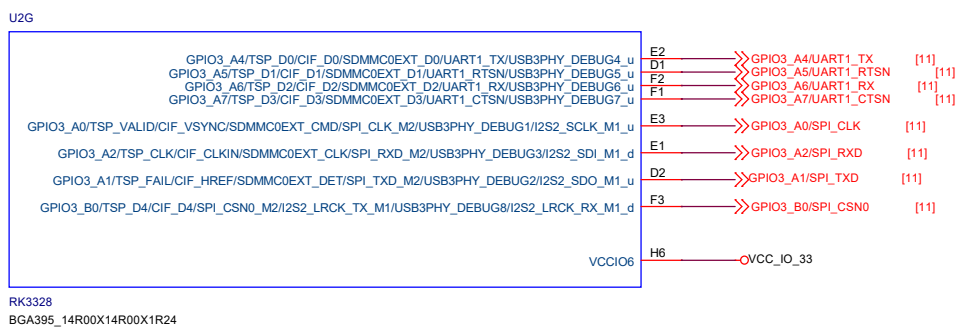


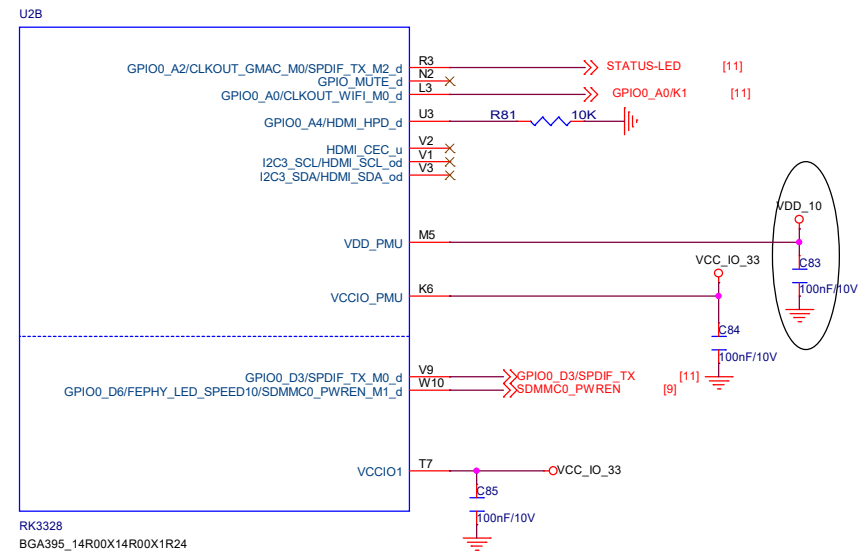
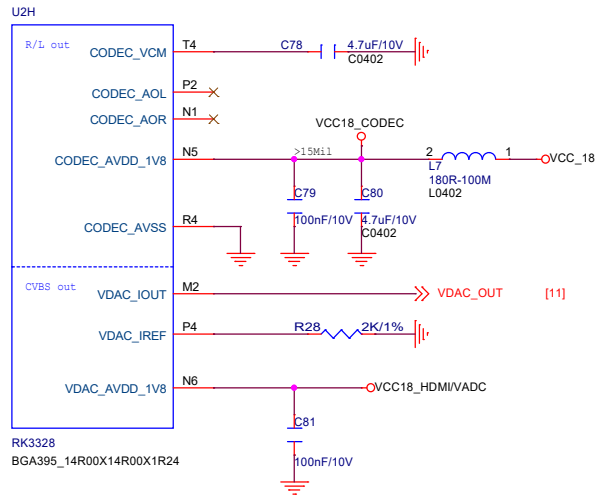
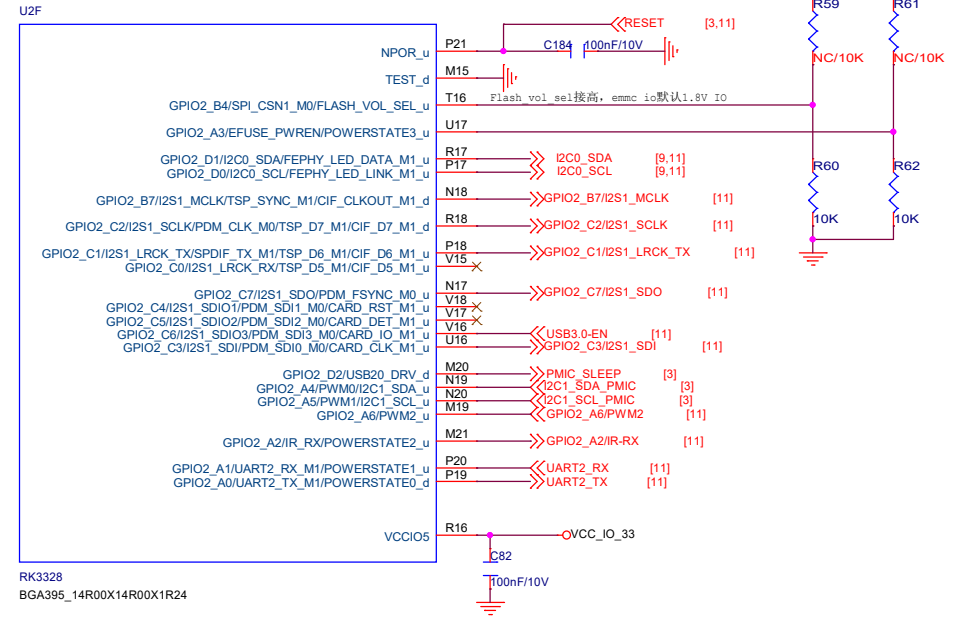
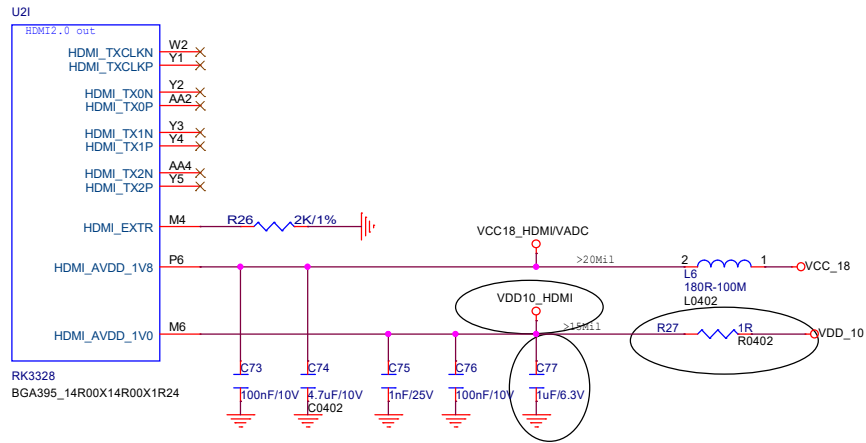
RK3328
 BGA395_14R00X14R00X1R24

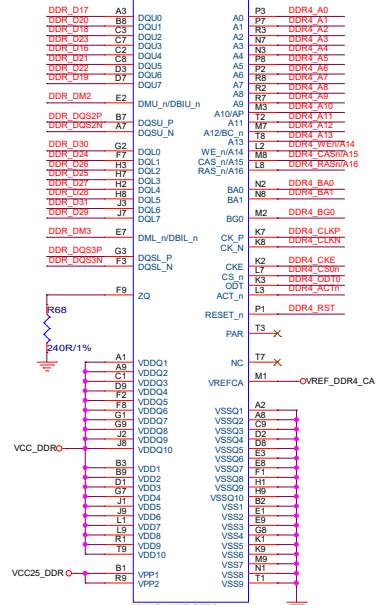
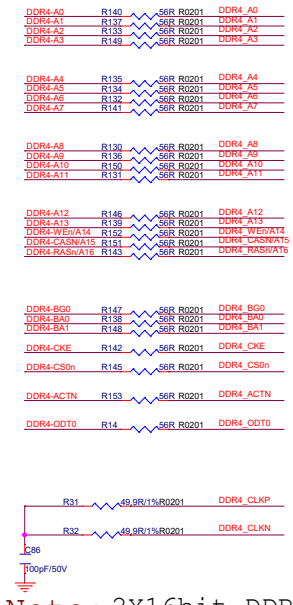
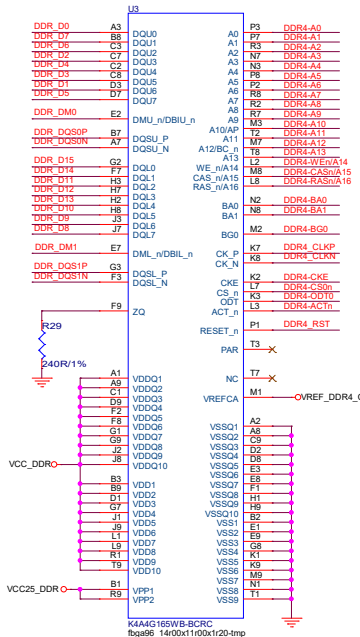
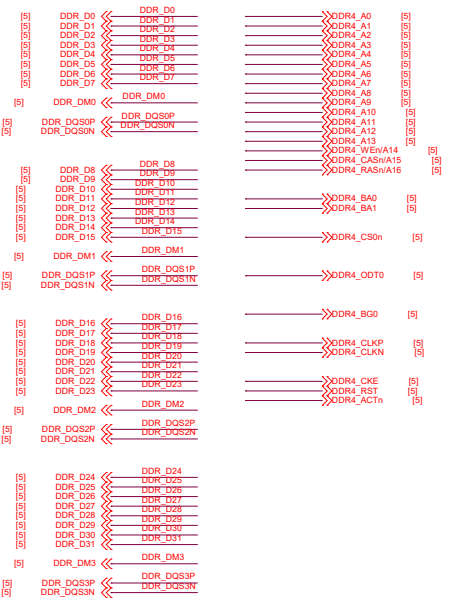




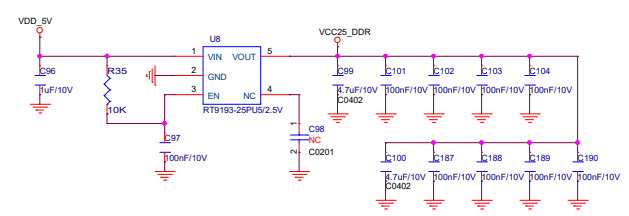
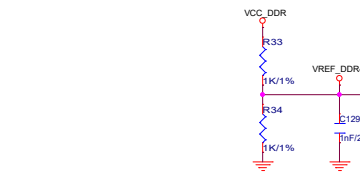
Embed FEPHY



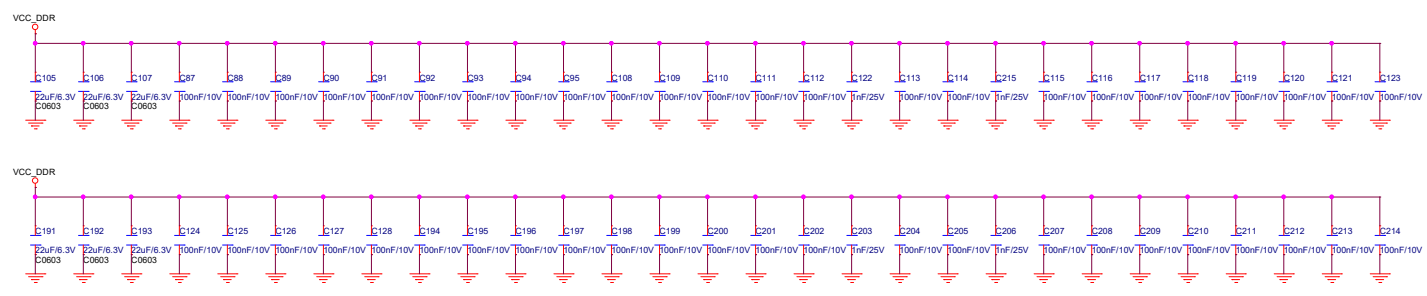




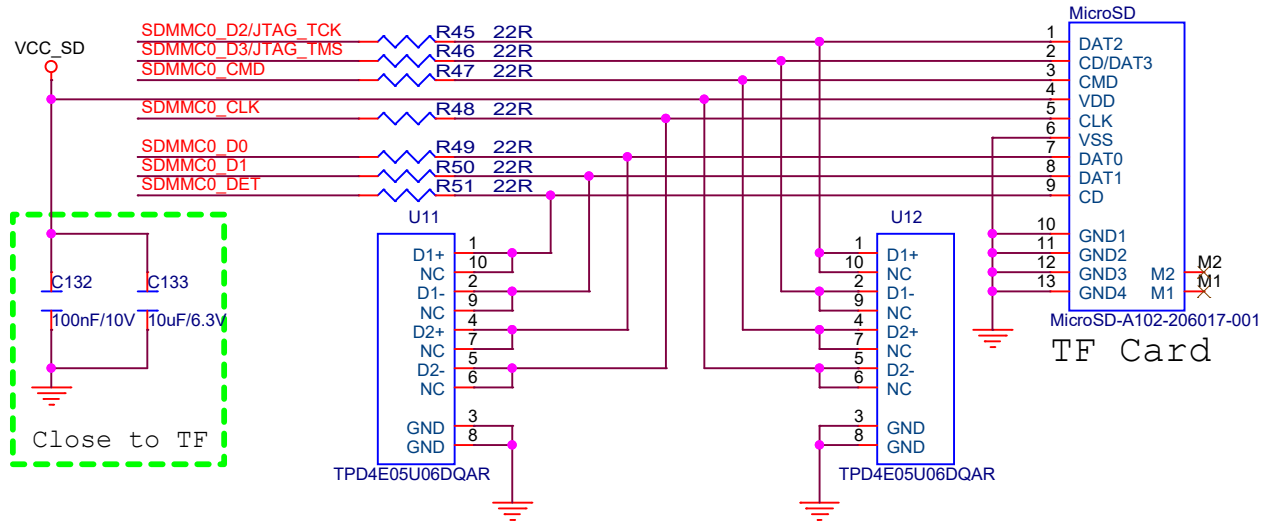
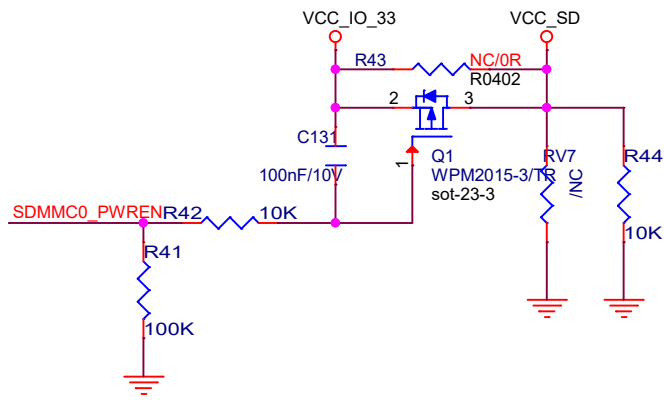
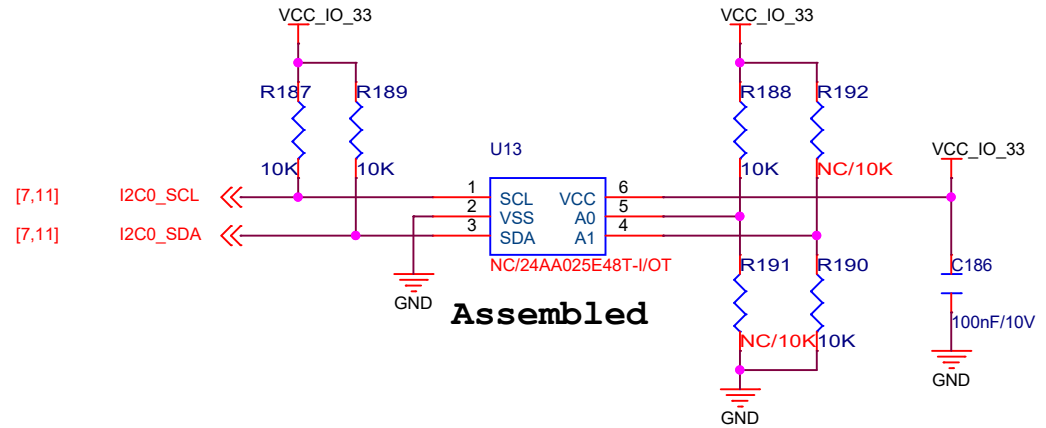
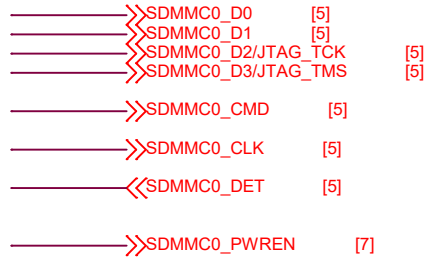
Note: 2X16bit DDR4
颗粒速率 >= 2133Mb/s



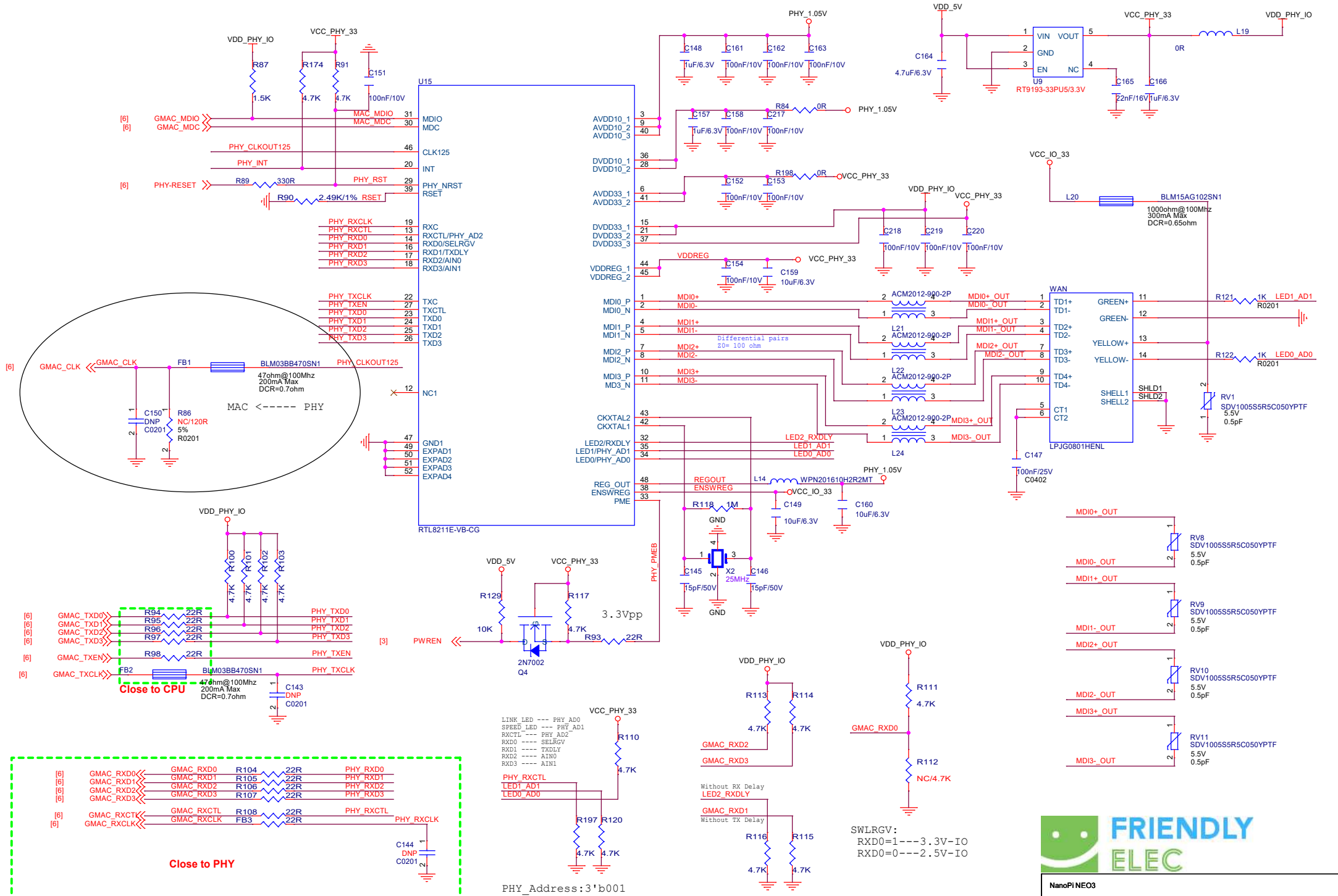
DDR4 FILTER



EEPROM with MAC Address



NanoPi NEO3



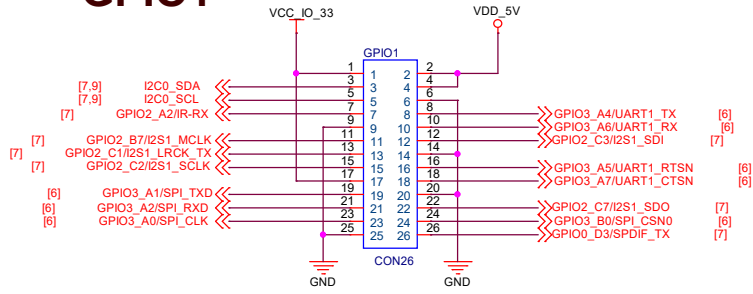
PHY_Address:3'b001

SWLRGV:
RXD0=1---3.3V-I/O
RXD0=0---2.5V-I/O

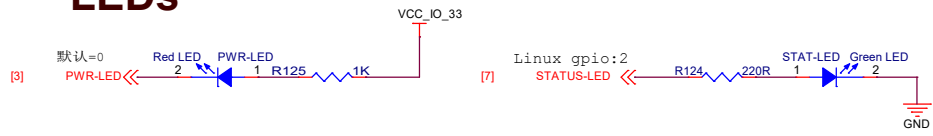


NanoPi NEO3		
Size A3	Document Number 10.WAN 10/100M/1000M PHY	Rev 2005
Date: Sunday, June 28, 2020	Sheet 10	of 11

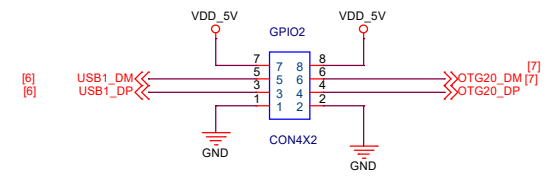
GPIO1



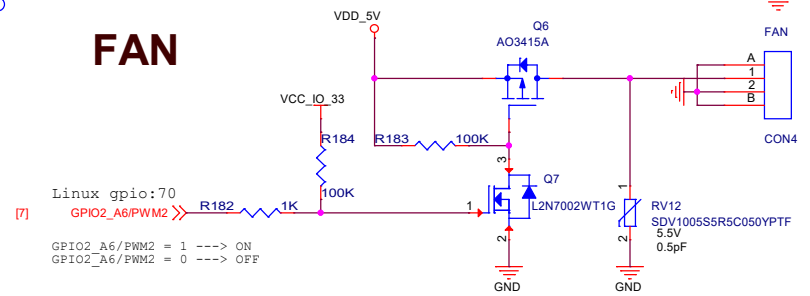
LEDs



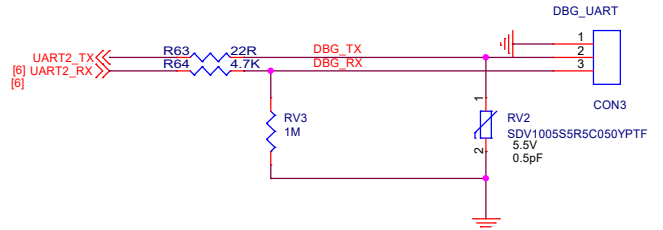
GPIO2



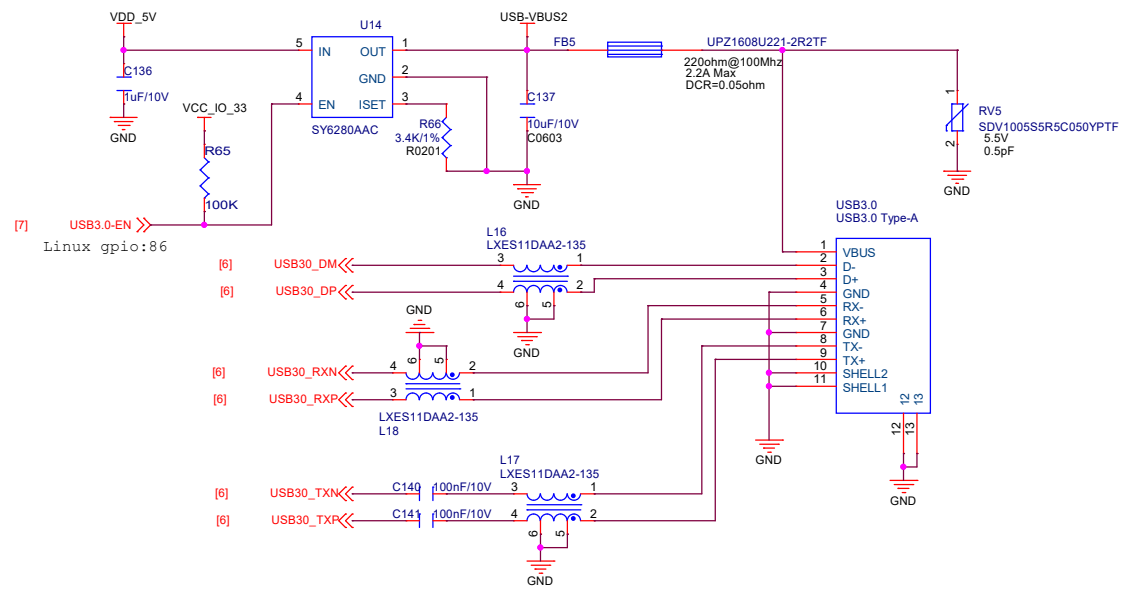
FAN



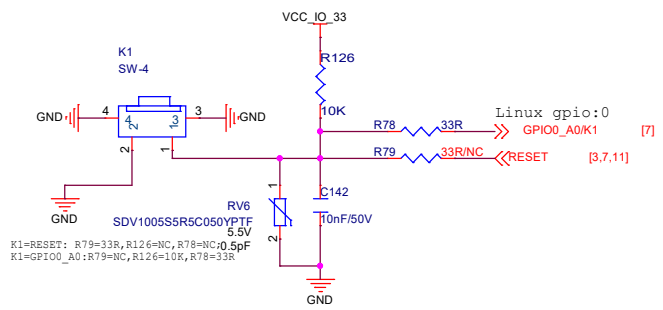
Debug UART2



USB3.0



KEY



NanoPi NEO3		
Size A3	Document Number 11.GPIO/USB Port/LED/KEY	Rev 2005
Date: Sunday, June 28, 2020	Sheet 11	of 11