

# NanoPi R1

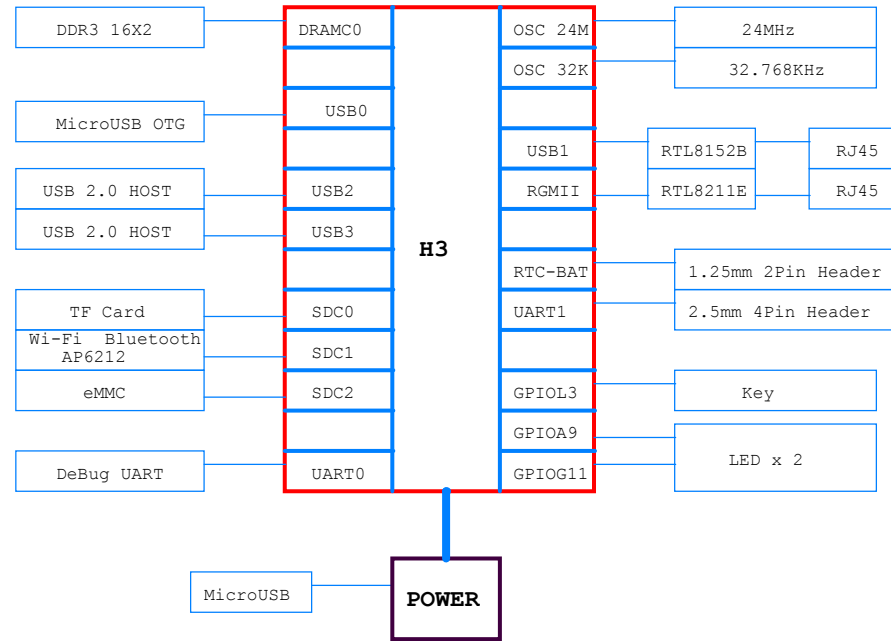
Revision

1809 , First Release

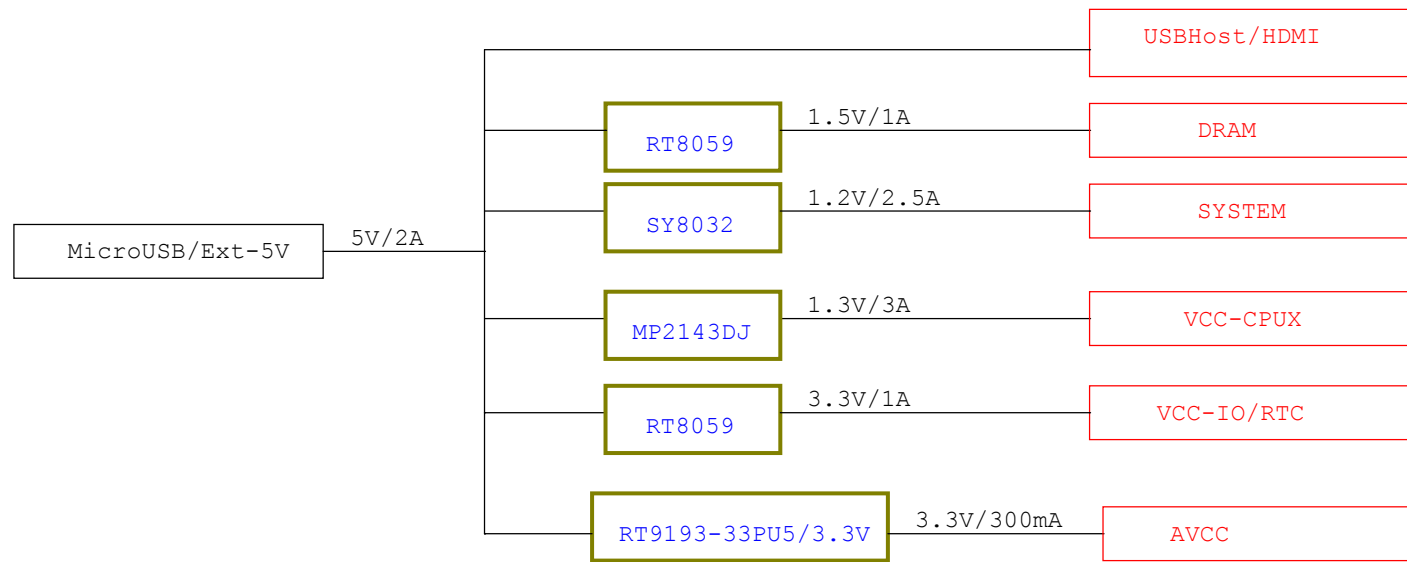


NanoPi R1		
Size A3	Document Number Title	Rev 1809
Date:	Tuesday, December 11, 2018	Sheet 1 of 14

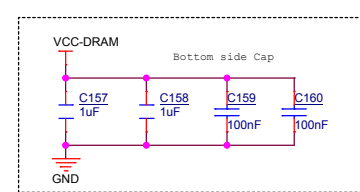
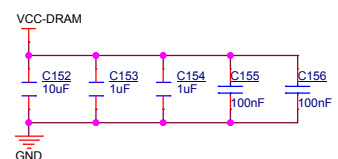
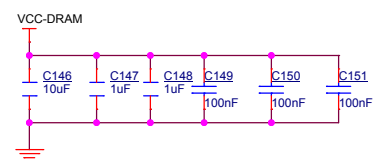
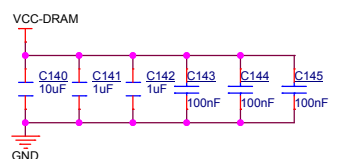
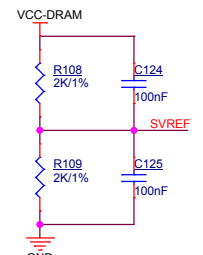
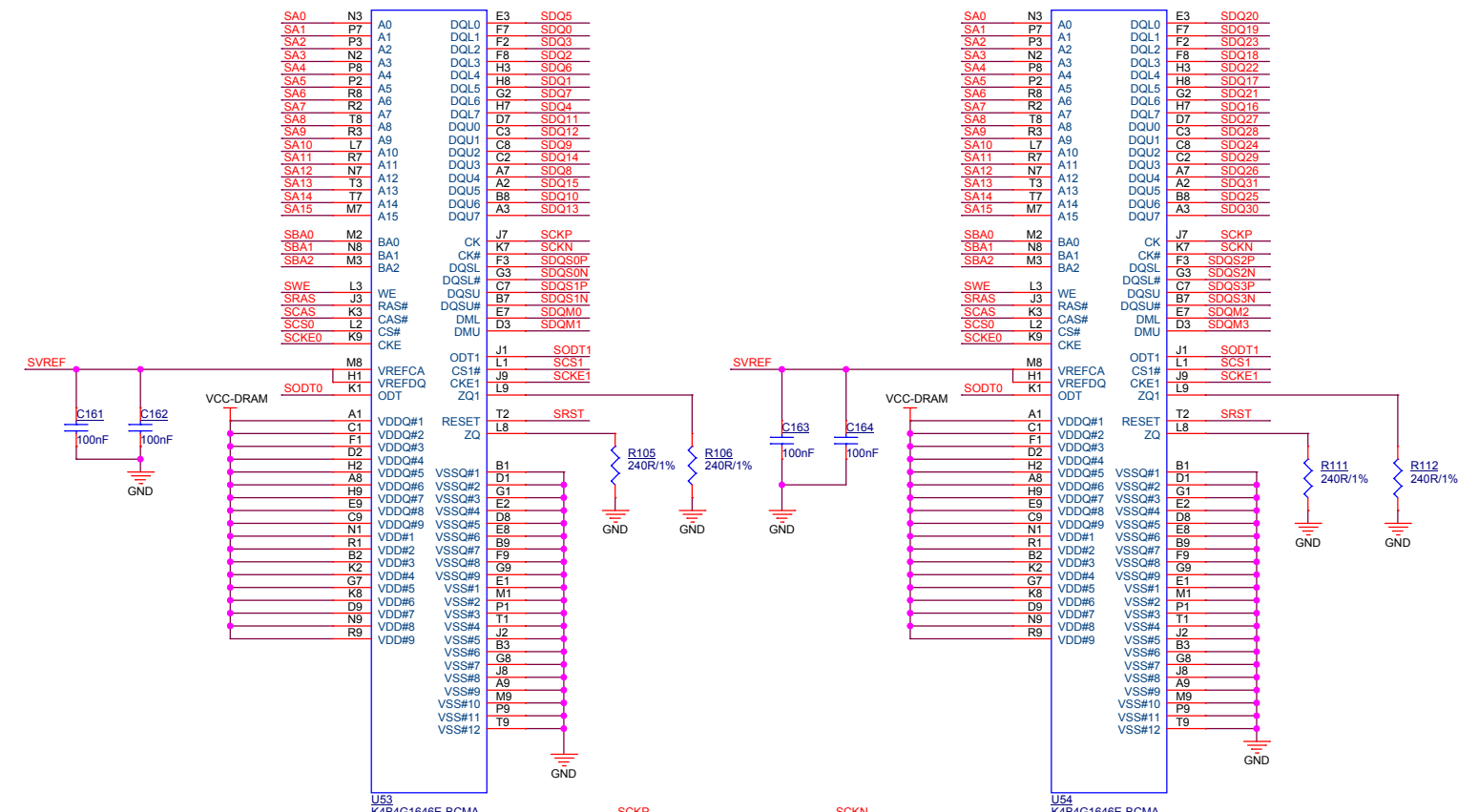
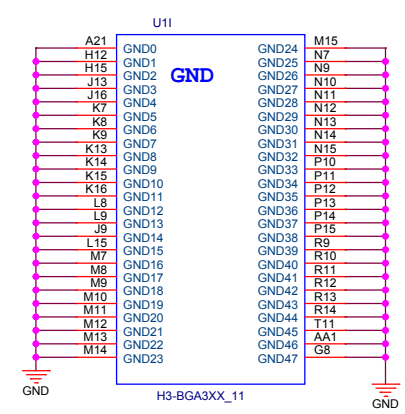
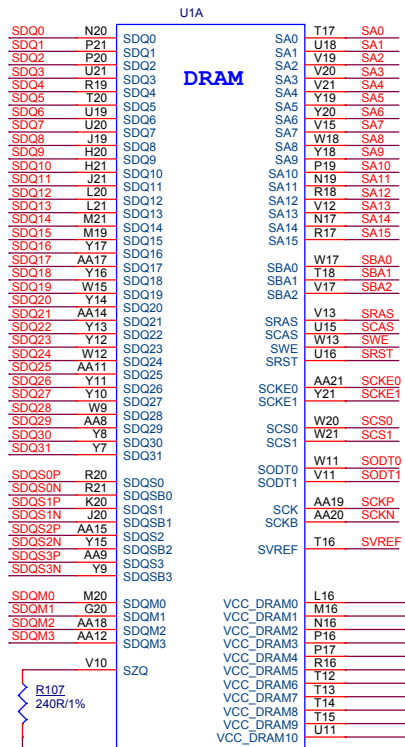
# BLOCK



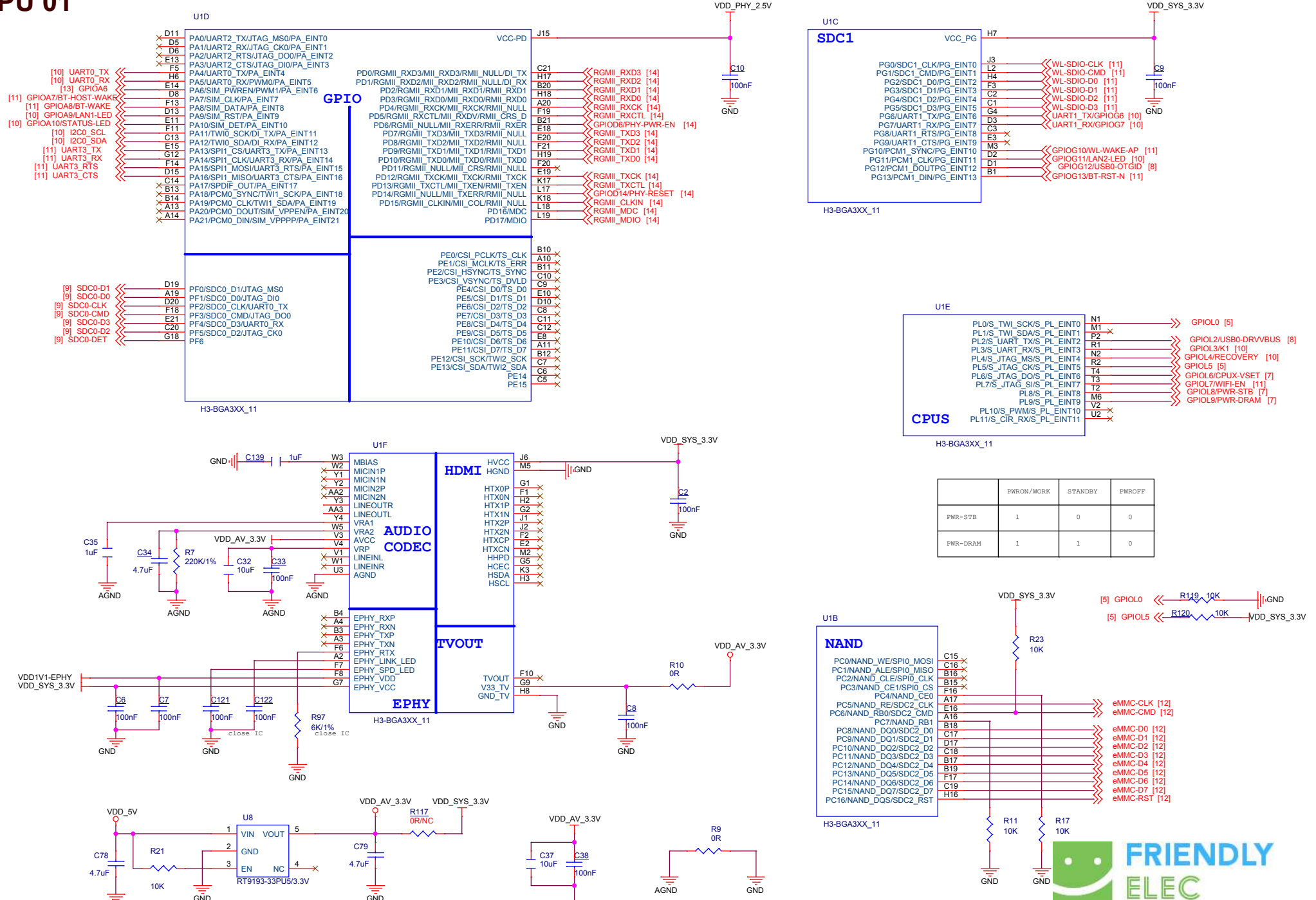
# POWER TREE



# DDR3 16x2



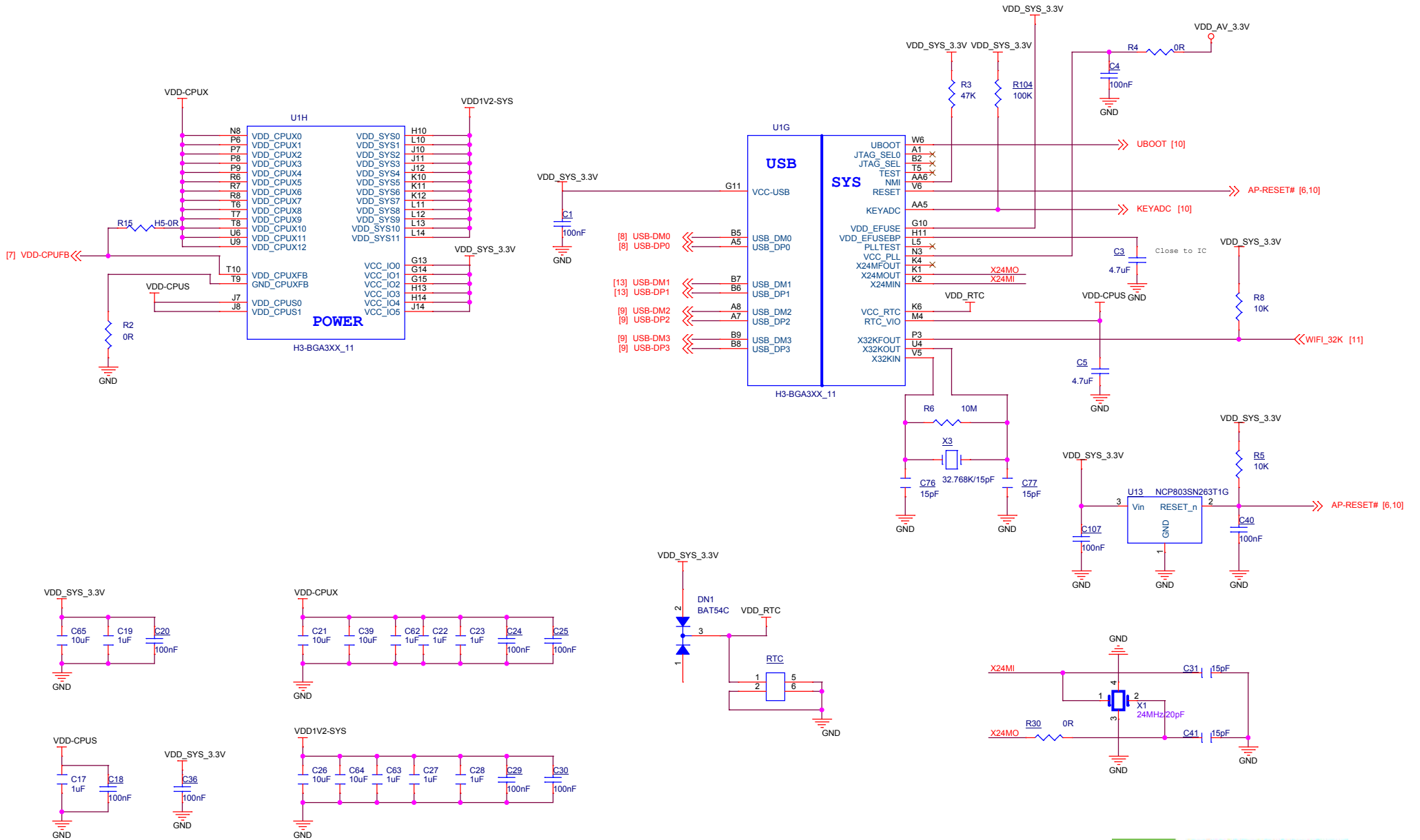
# CPU 01



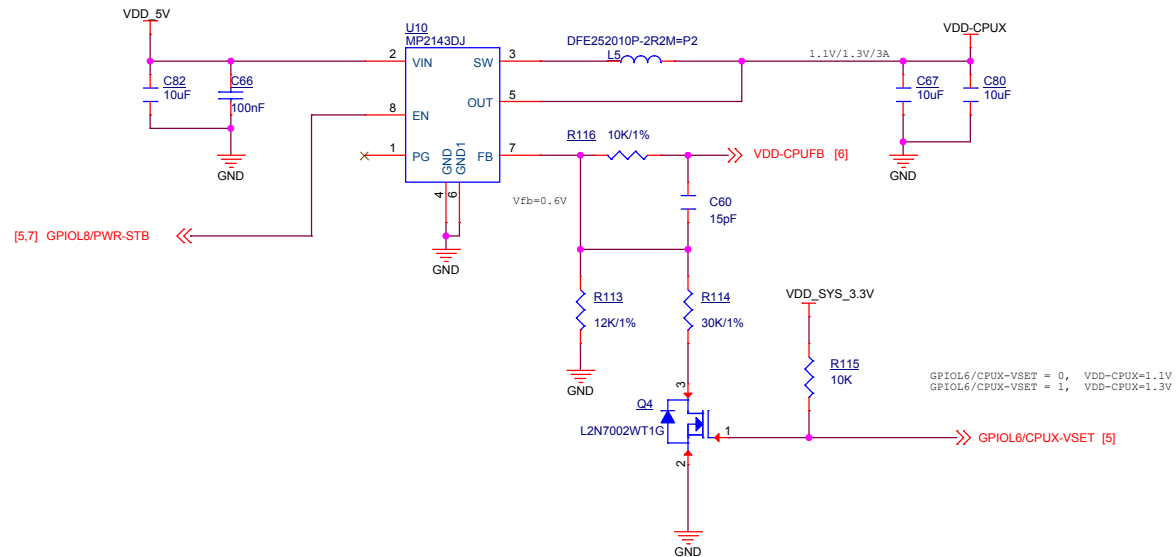
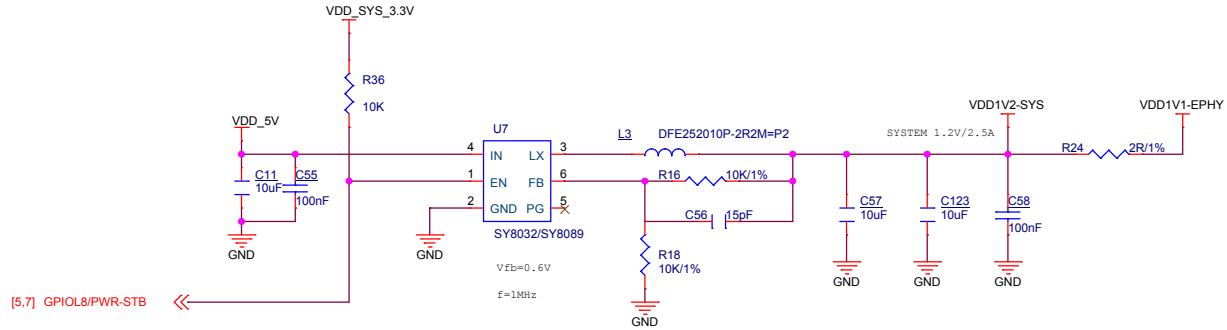
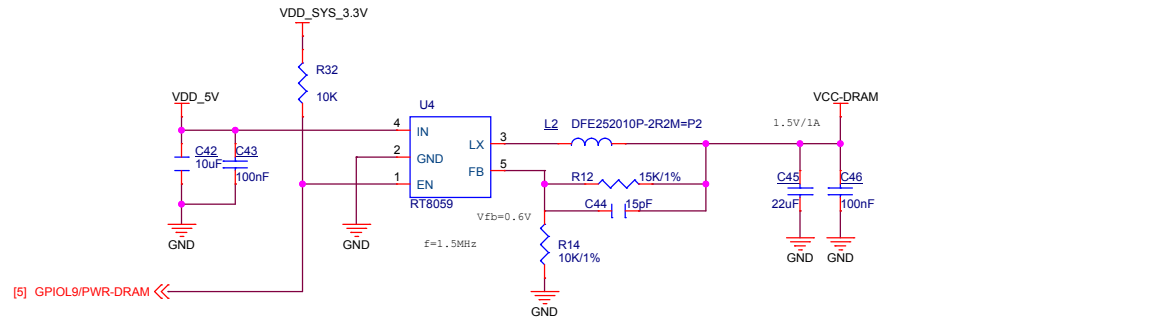
	PWRON/WORK	STANDBY	PWROFF
PWR-STB	1	0	0
PWR-DRAM	1	1	0



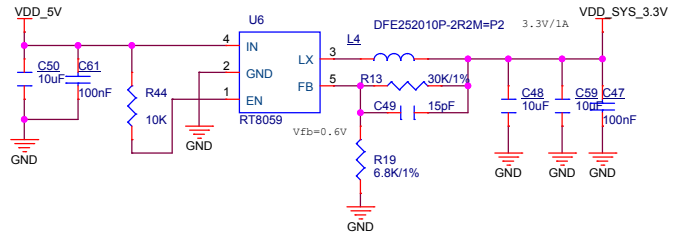
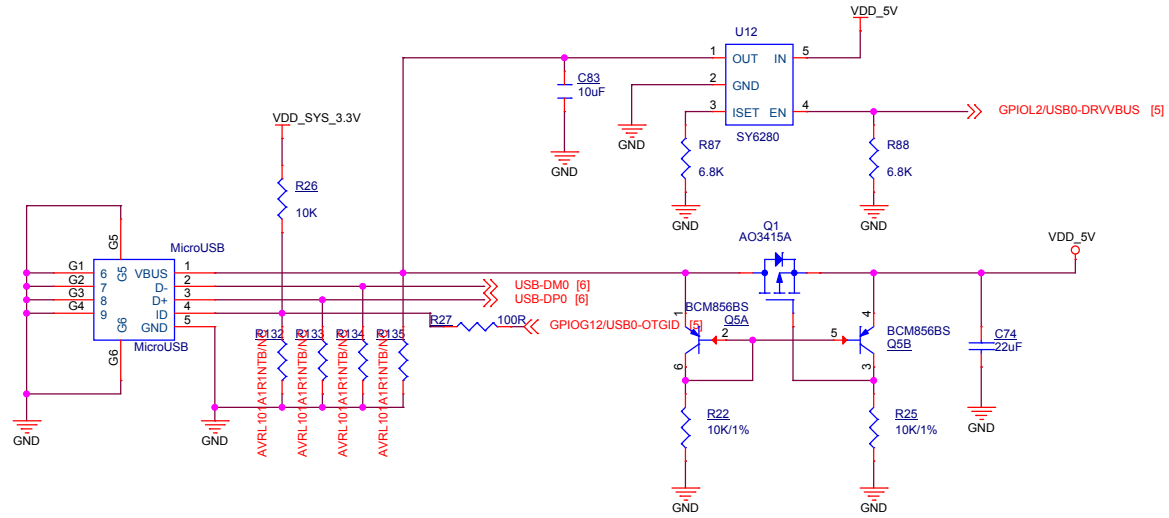
# CPU 02



# POWER 01

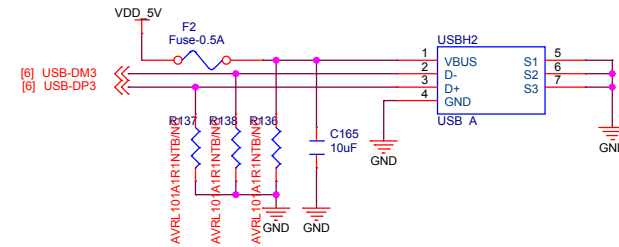
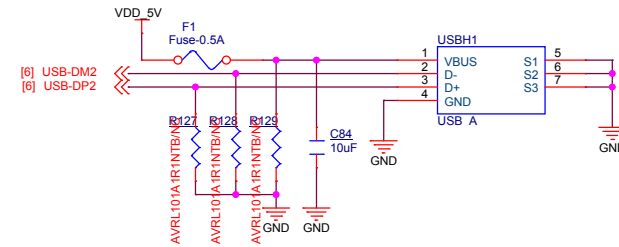
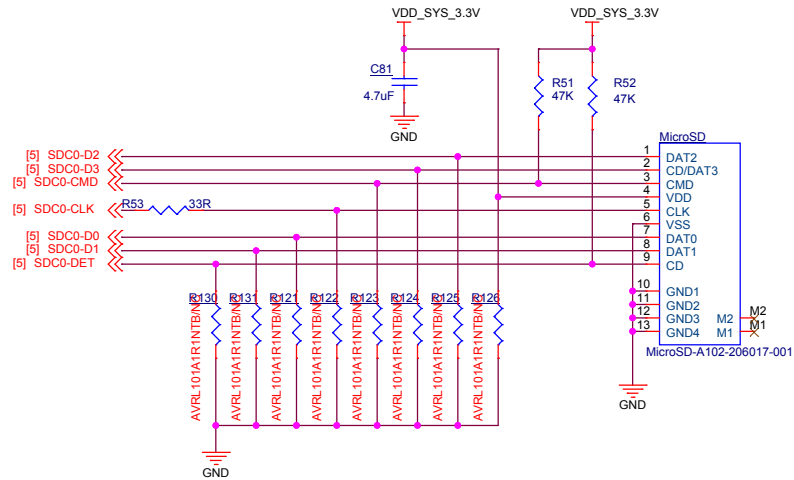


# POWER 02

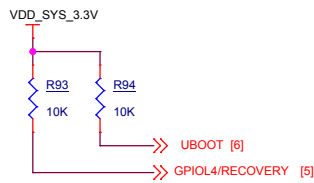
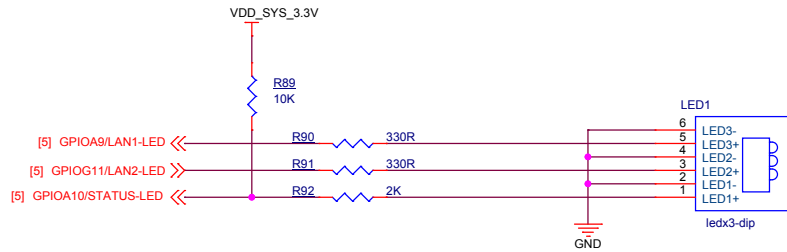
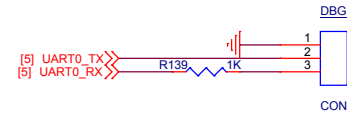
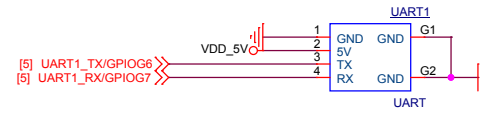
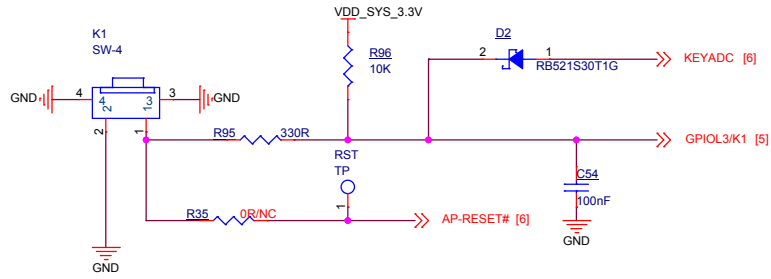




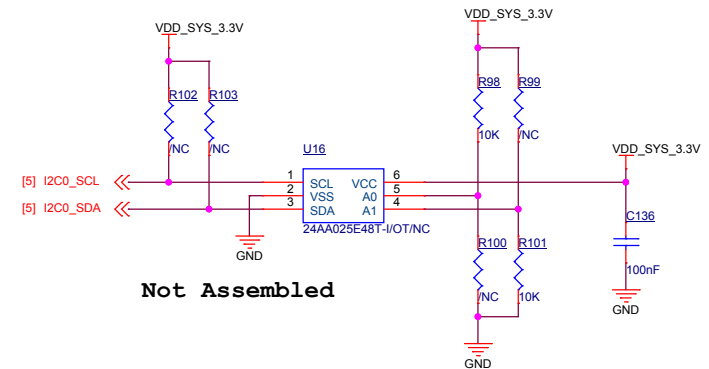
# TF,USB Host

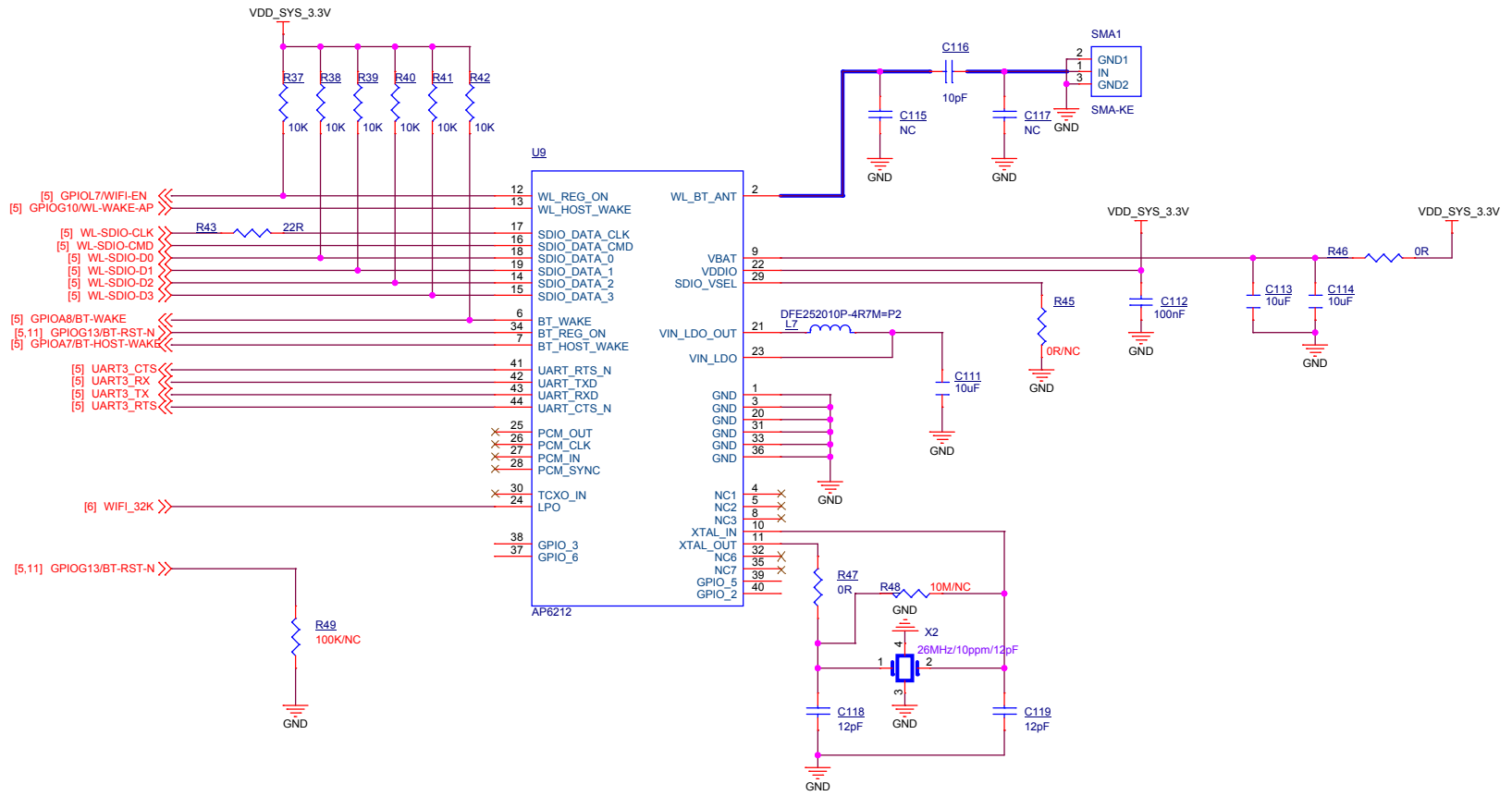


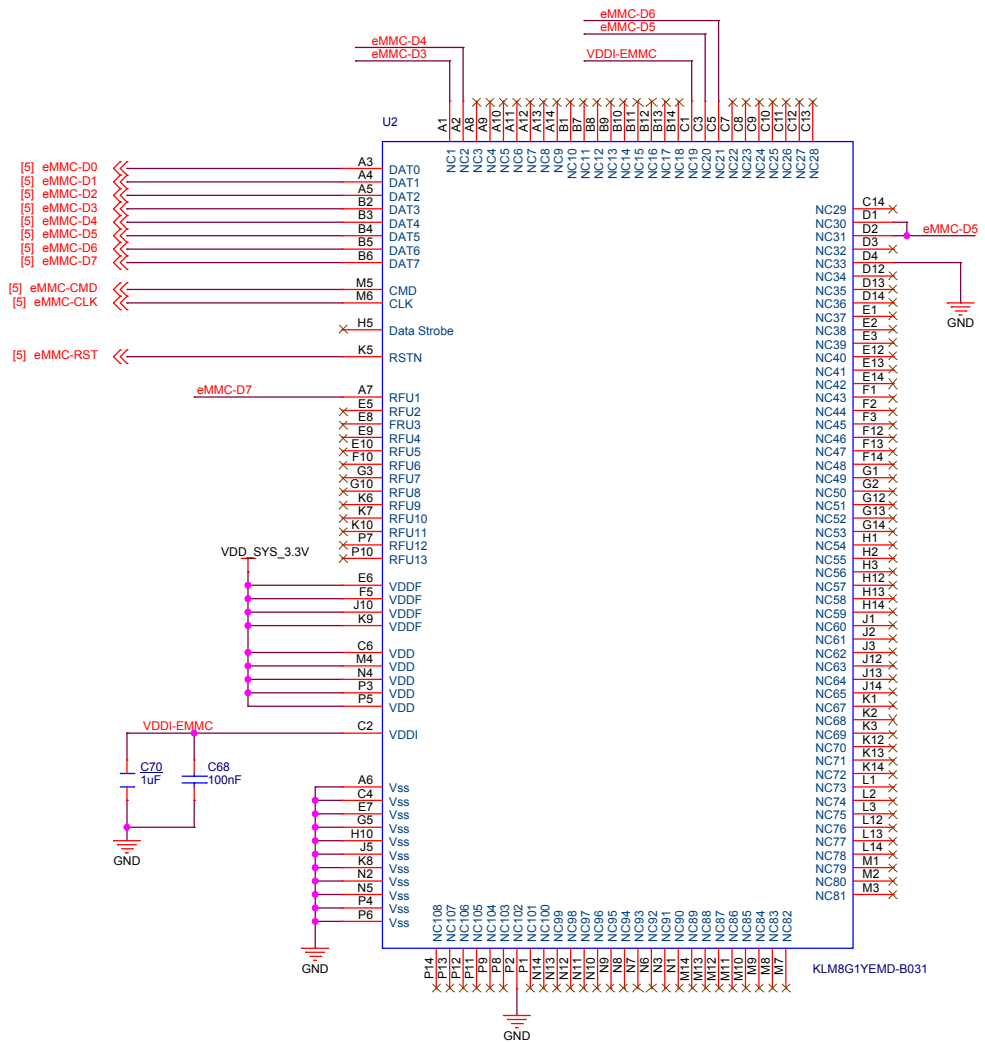
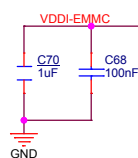
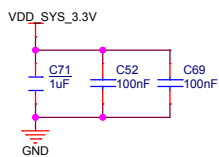
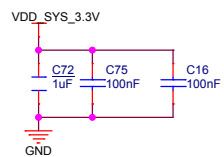
# LEDs, Keys



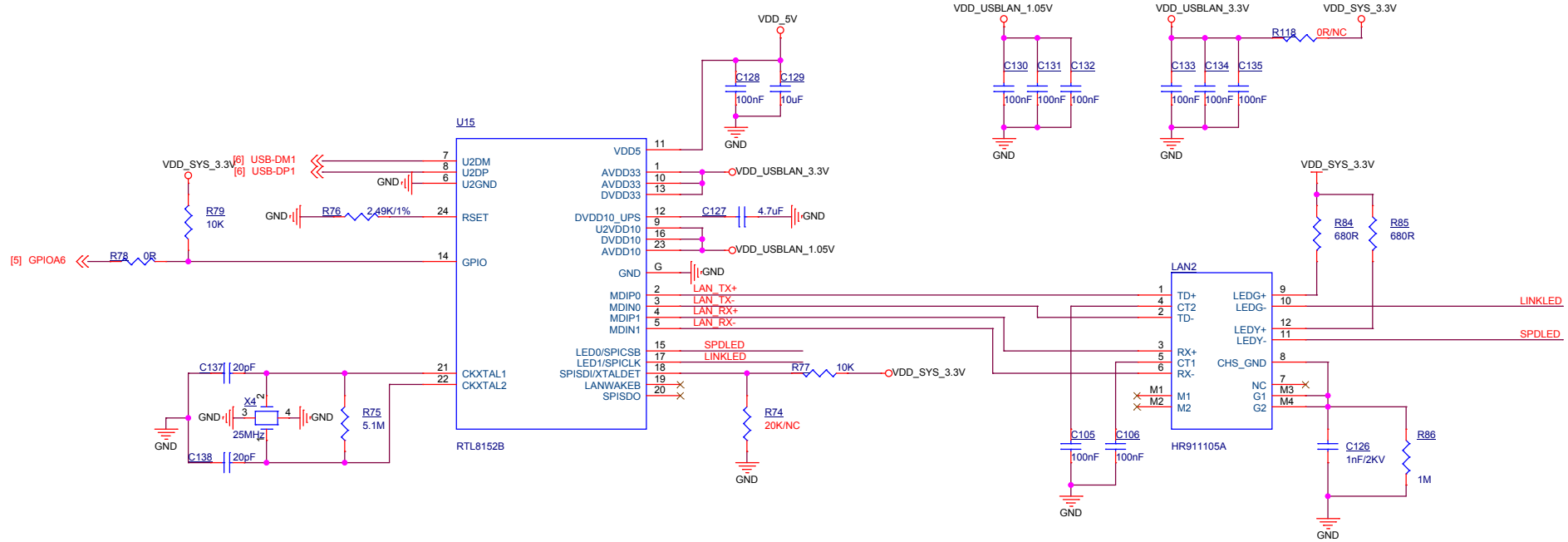
## EEPROM with MAC Address



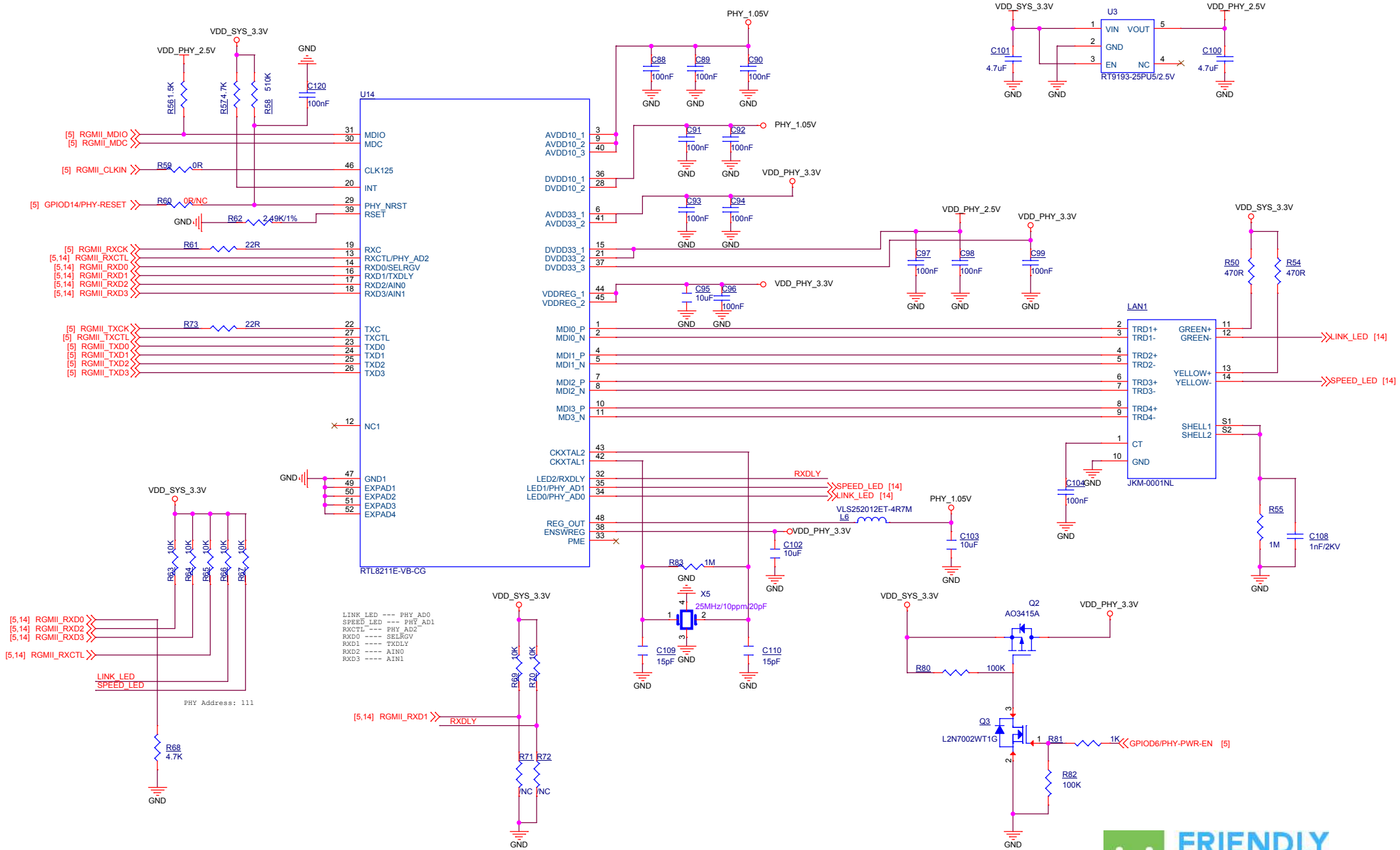




10/100M Ethernet



# 10/100/1000M Ethernet



NanoPi R1		
Size	Document Number	Rev
A3	10/100/1000M Ethernet	1809
Date:	Tuesday, December 11, 2018	Sheet 14 of 14