

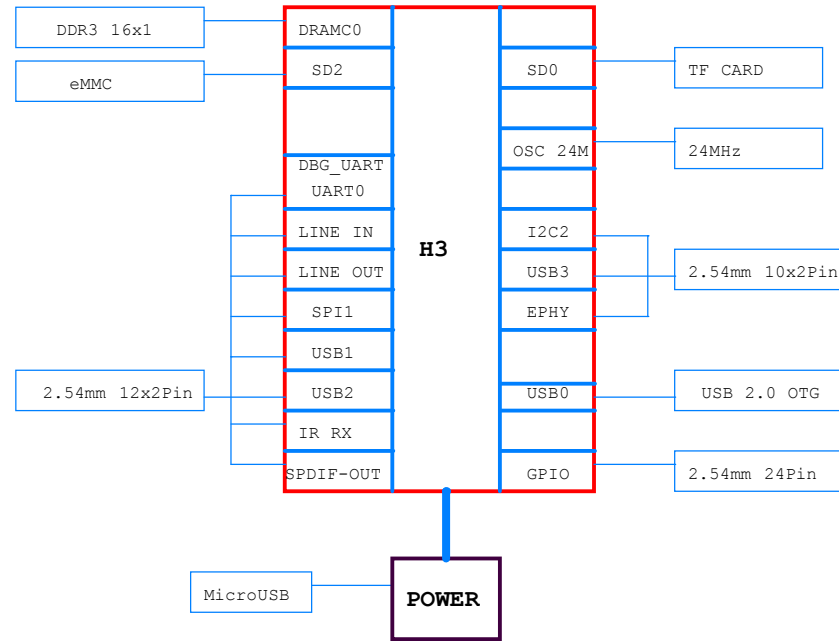
NanoPi NEO Core

Revision
1705 , First Release

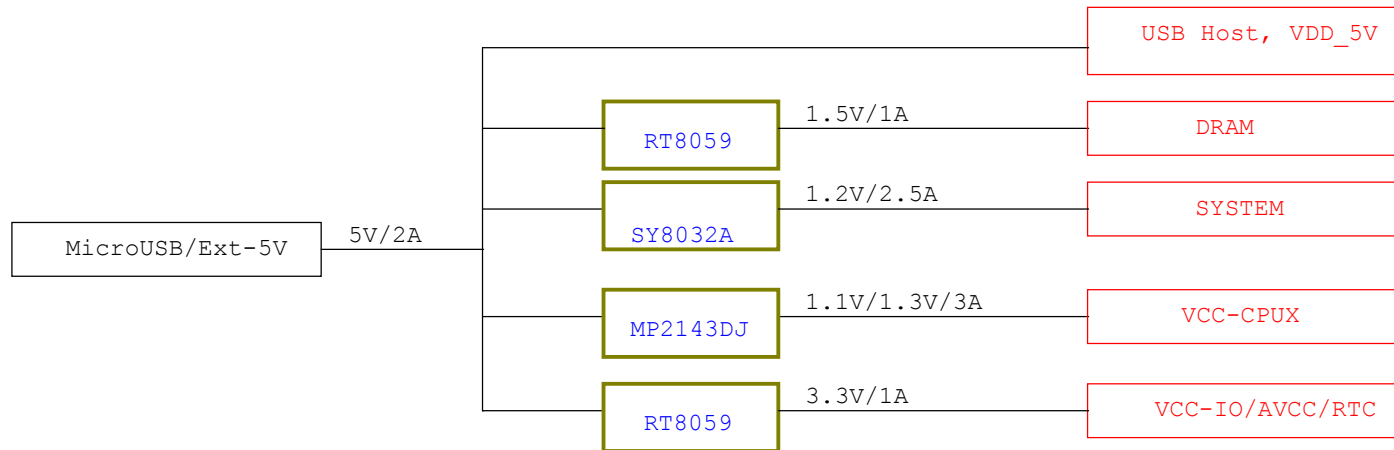


NanoPi NEO Core			
Size	Document	Number	Rev
A3	Title		1802
Date:	Wednesday, March 14, 2018	Sheet	1 of 11

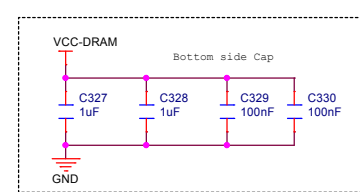
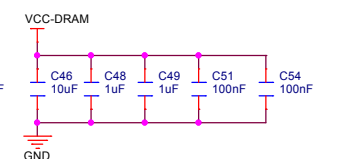
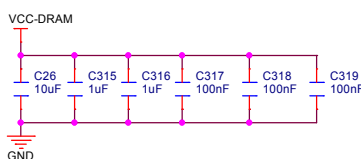
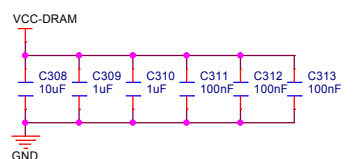
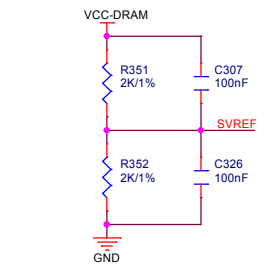
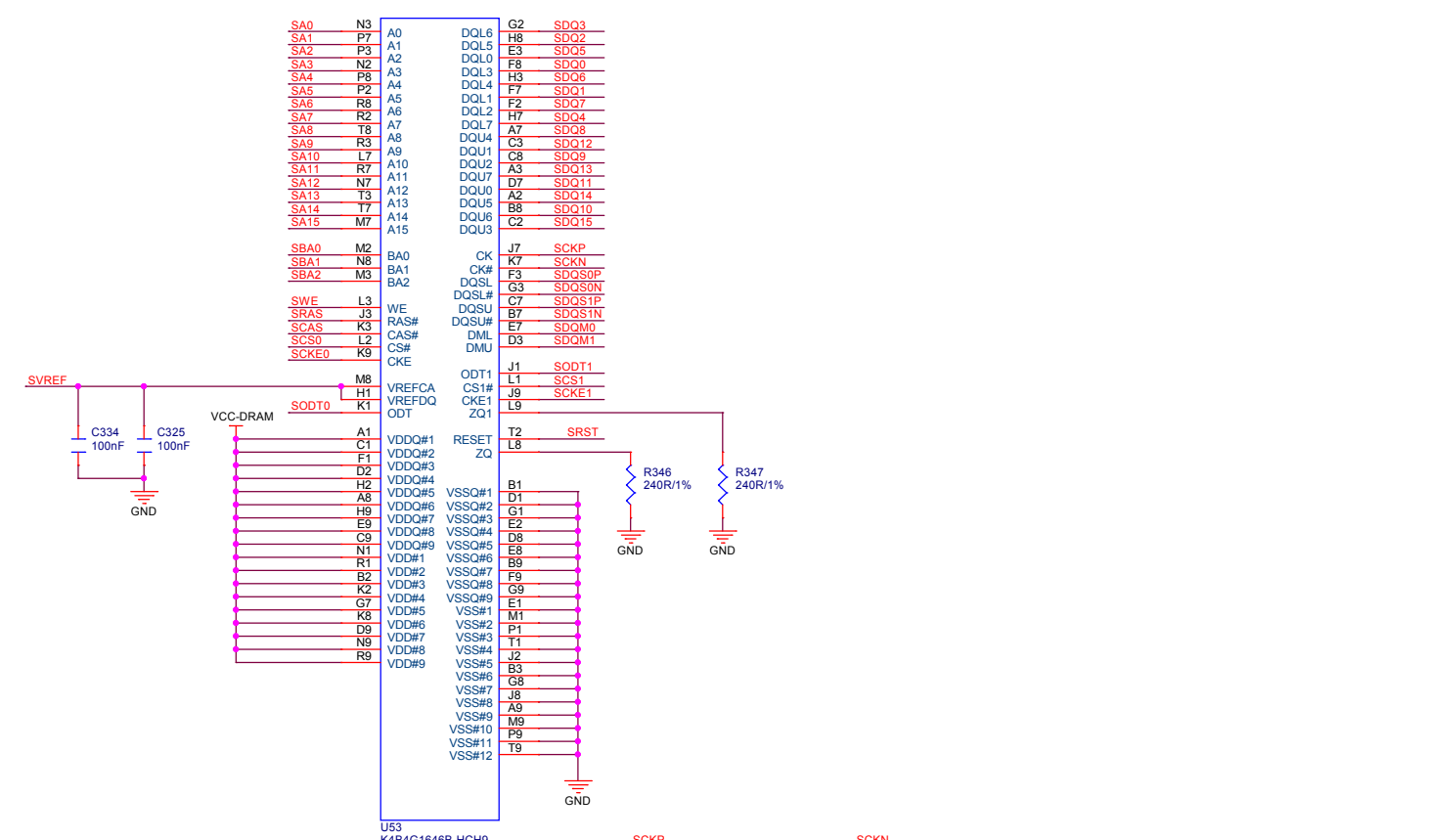
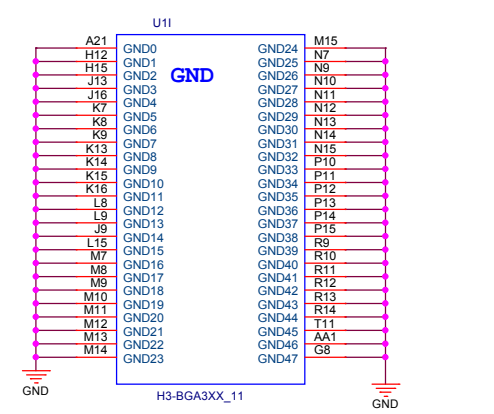
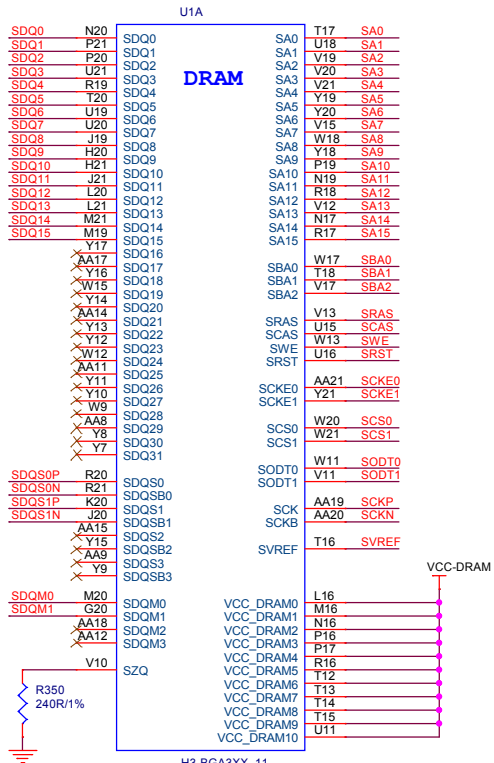
BLOCK



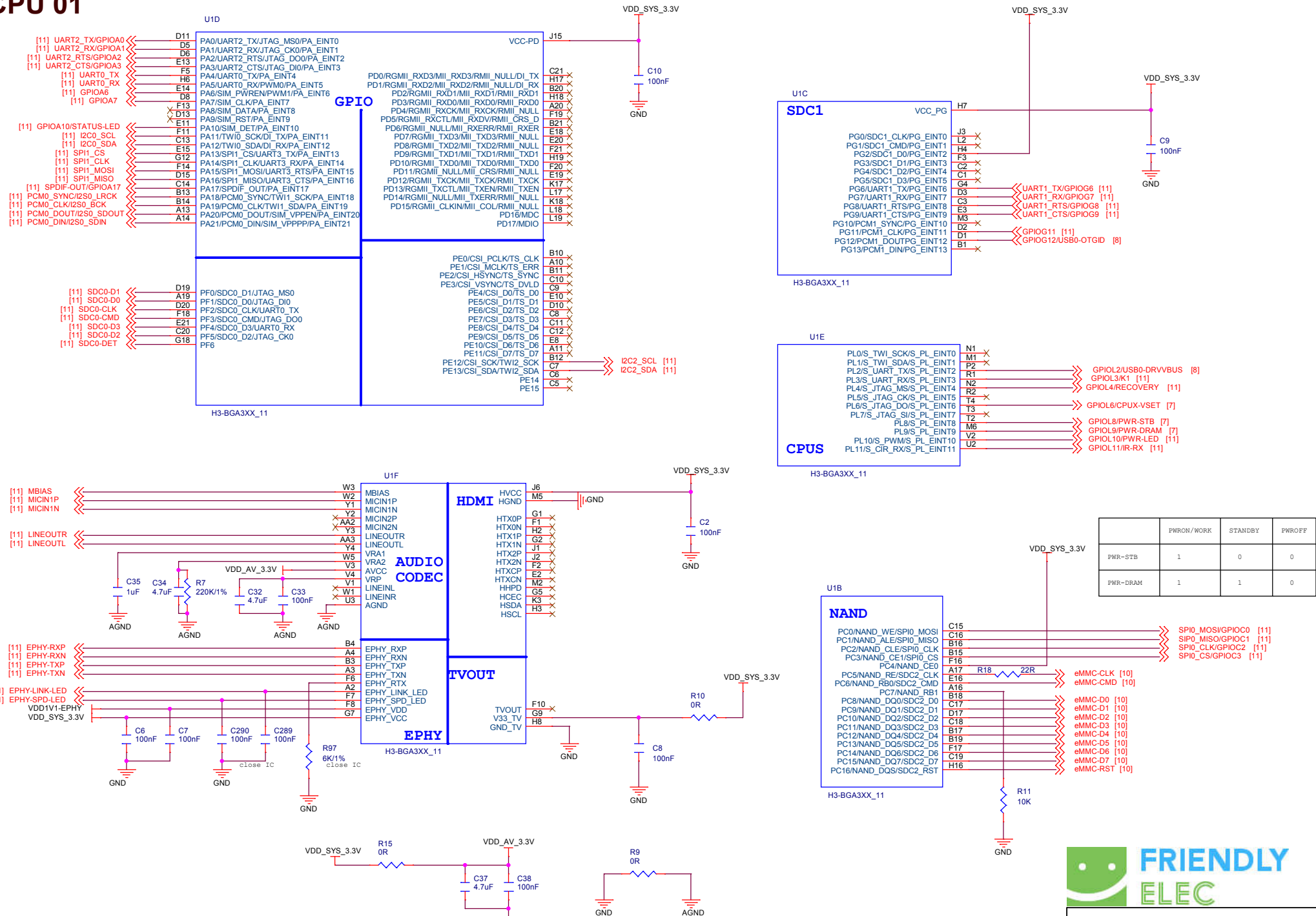
POWER TREE



DDR3 16x1



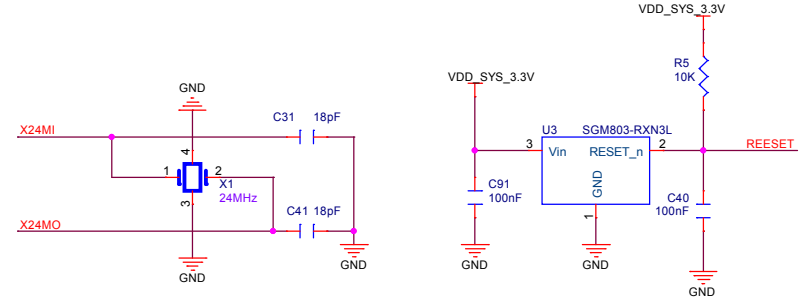
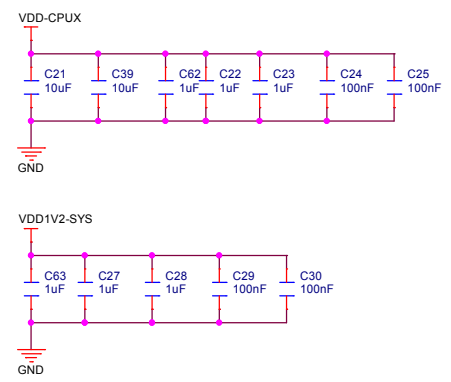
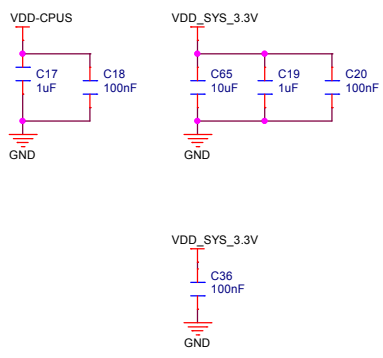
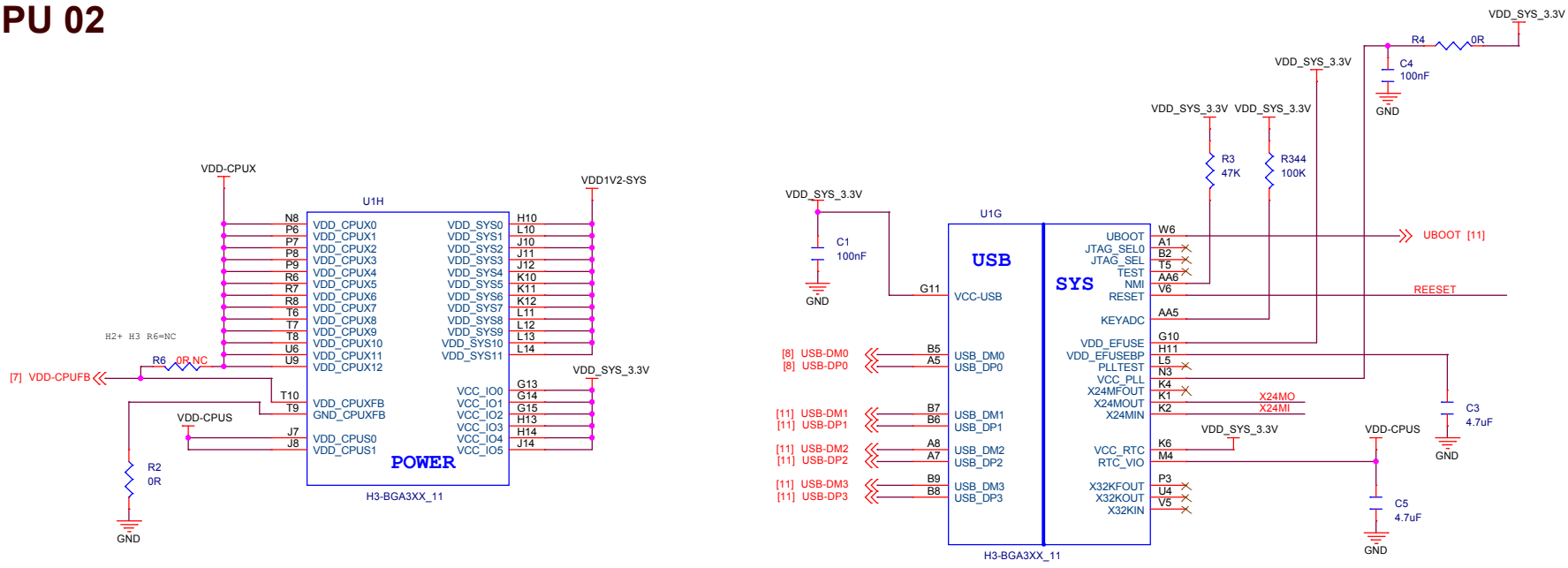
CPU 01



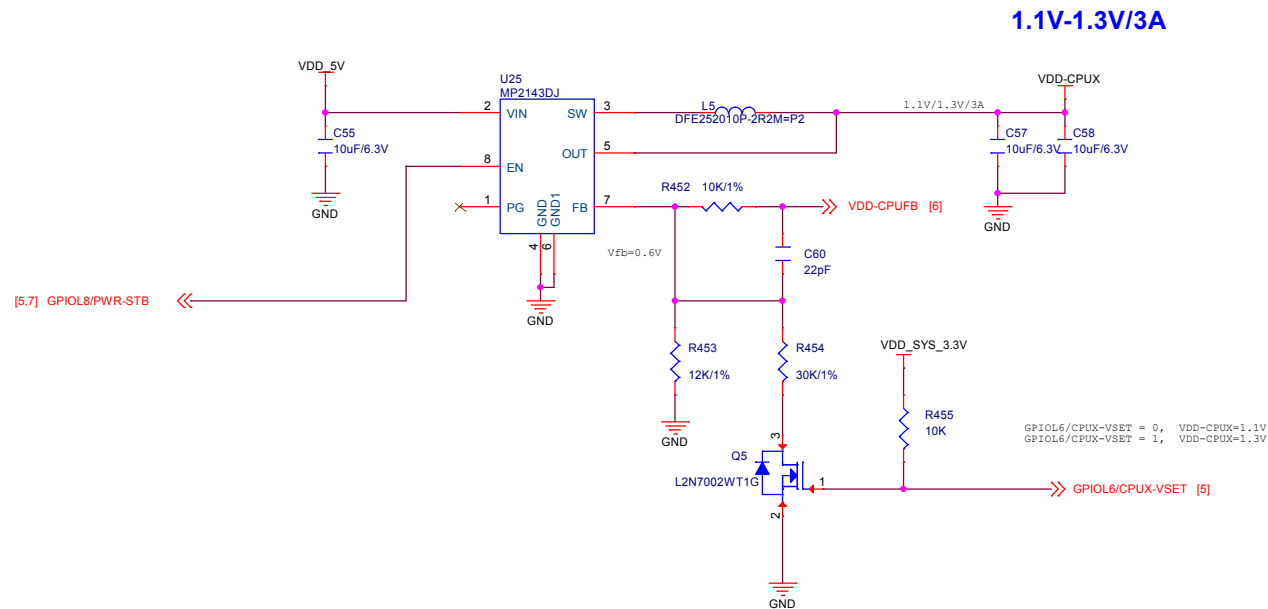
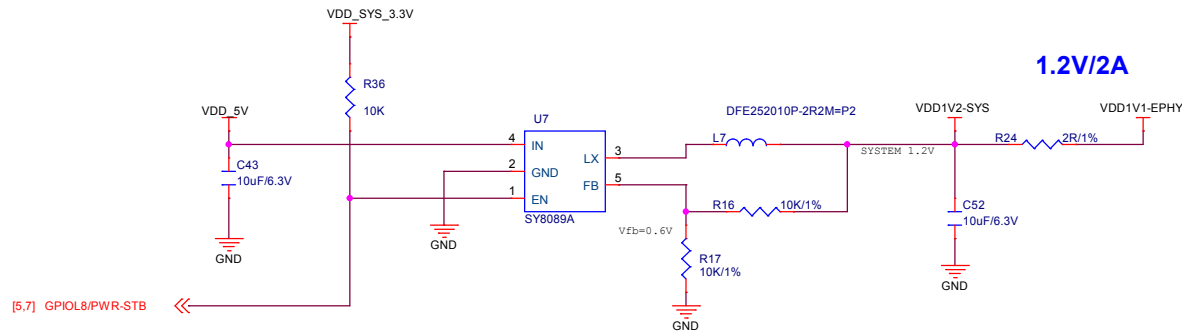
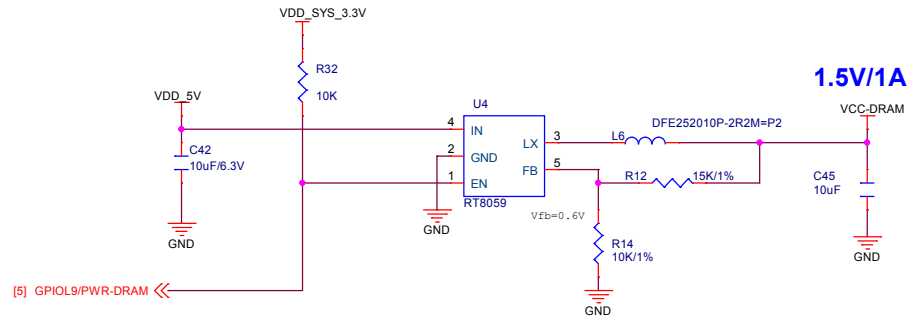
	PWRON / WORK	STANDBY	PWROFF
PWR-STB	1	0	0
PWR-DRAM	1	1	0



CPU 02

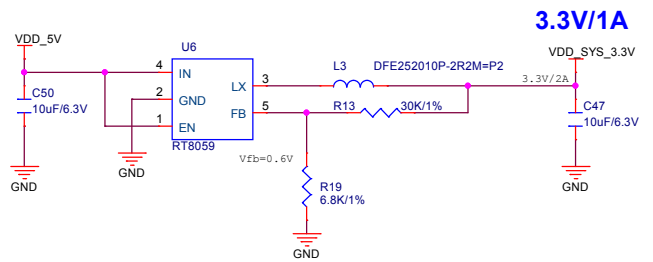
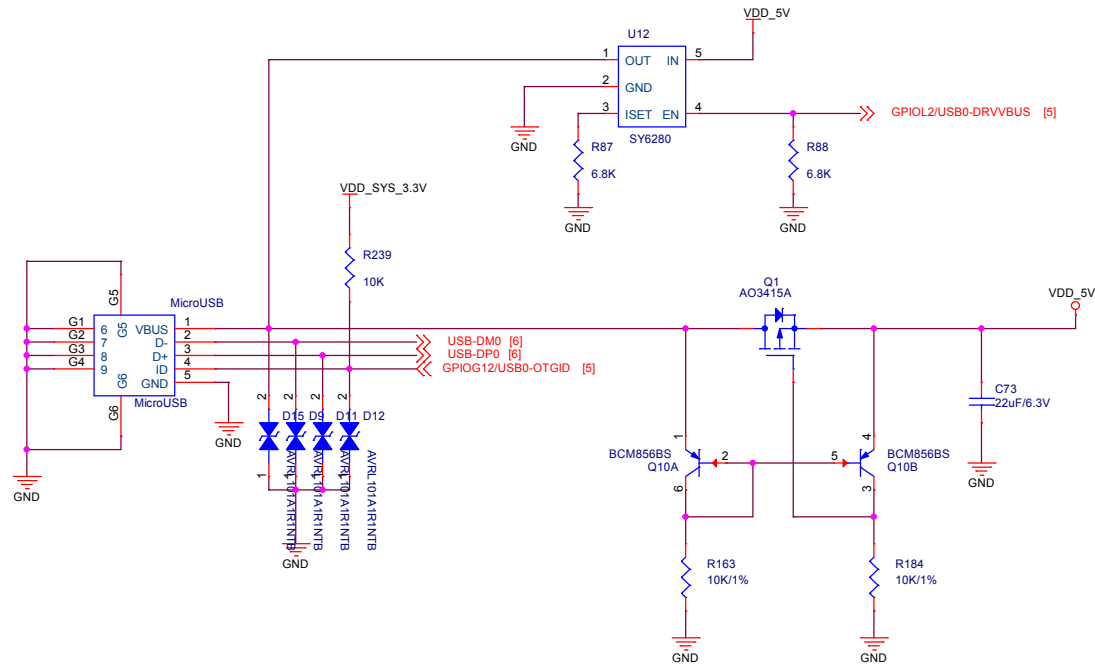


POWER 01



NanoPi NEO Core		
Size A3	Document Number POWER 01	Rev 1802
Date: Wednesday, March 14, 2018	Sheet 7 of 11	

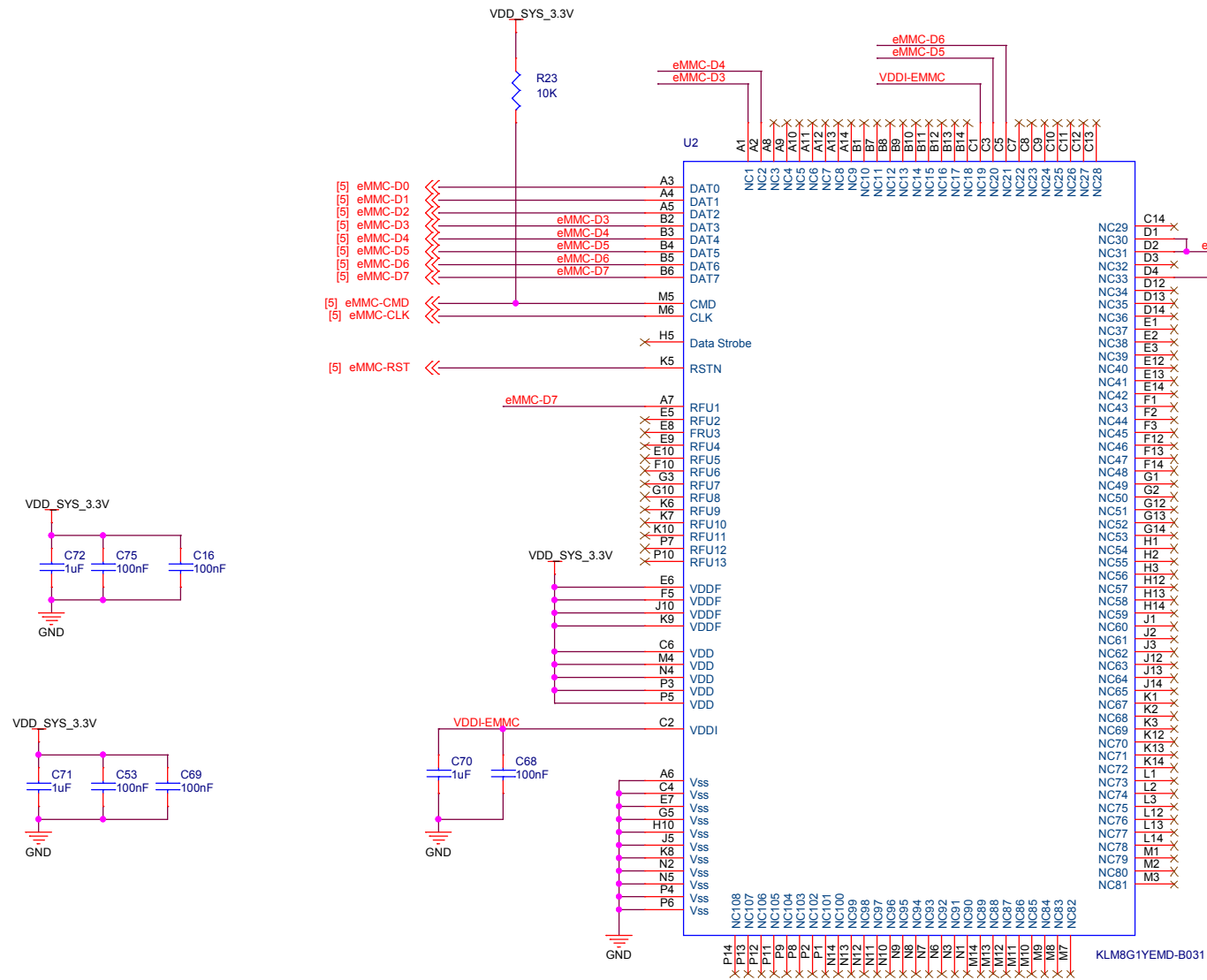
POWER 02



FRIENDLYARM

NanoPI NEO		
Size A3	Document Number 08:Power-02	Rev 1802
Date: Wednesday, March 14, 2018	Sheet 8	of 11

eMMC



NanoPi NEO Core		
Size B	Document Number eMMC	Rev 1802
Date:	Wednesday, March 14, 2018	Sheet 10 of 11

GPIO,Card,LEDs

