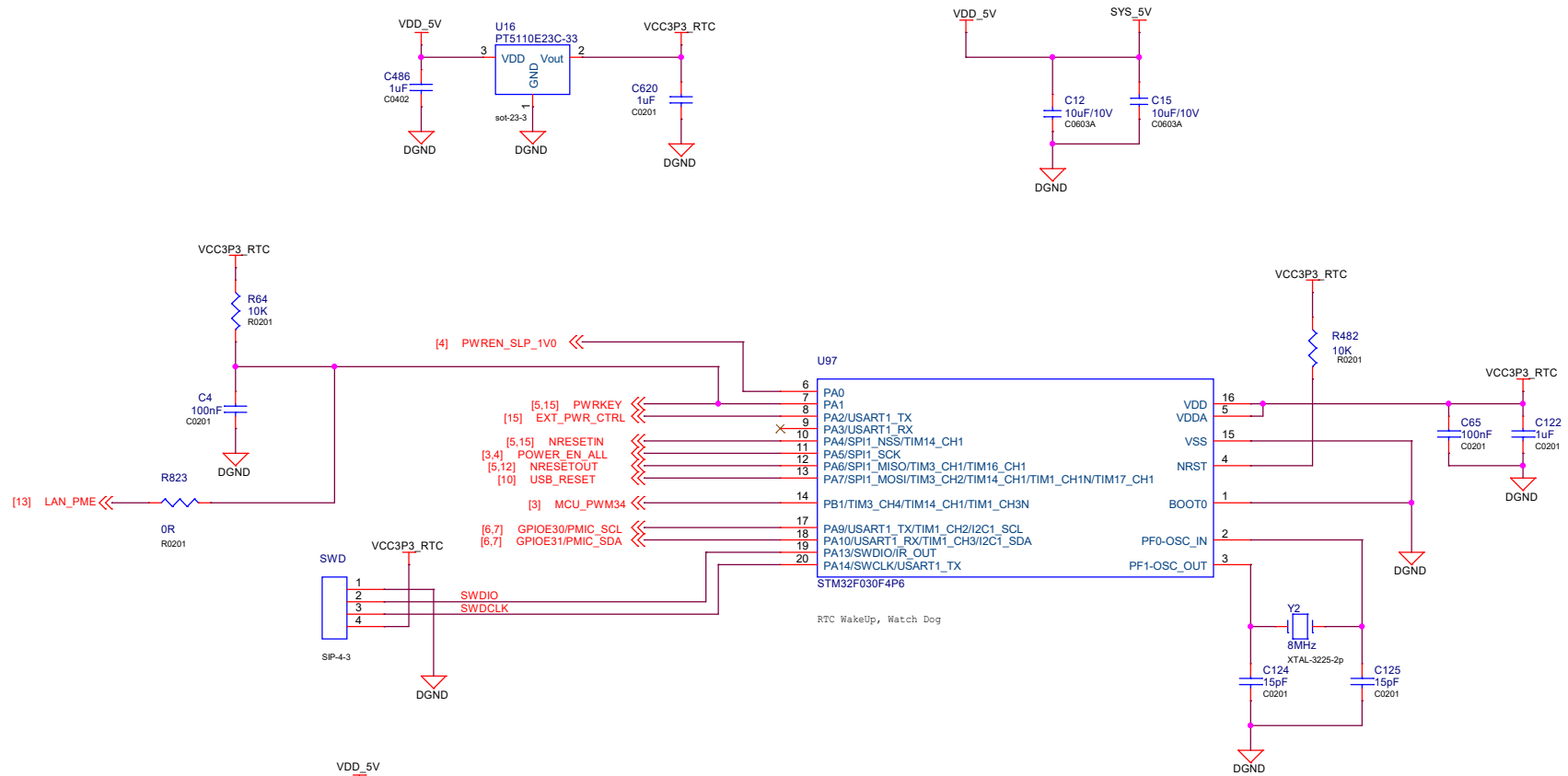


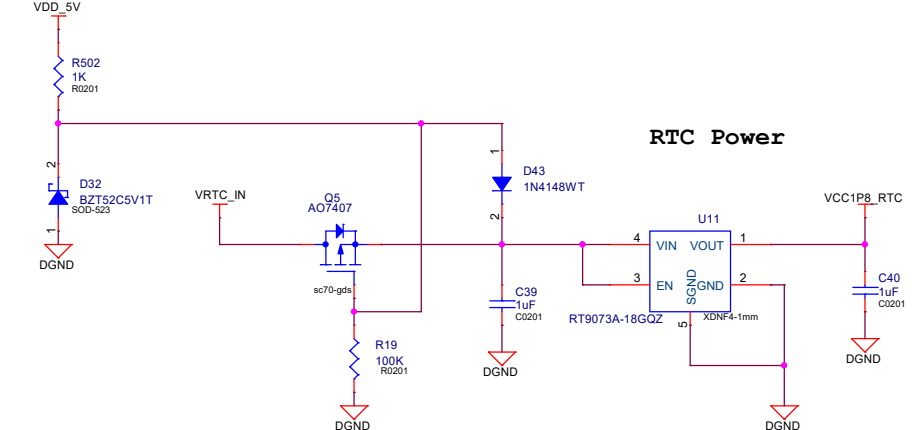
SOM-4418



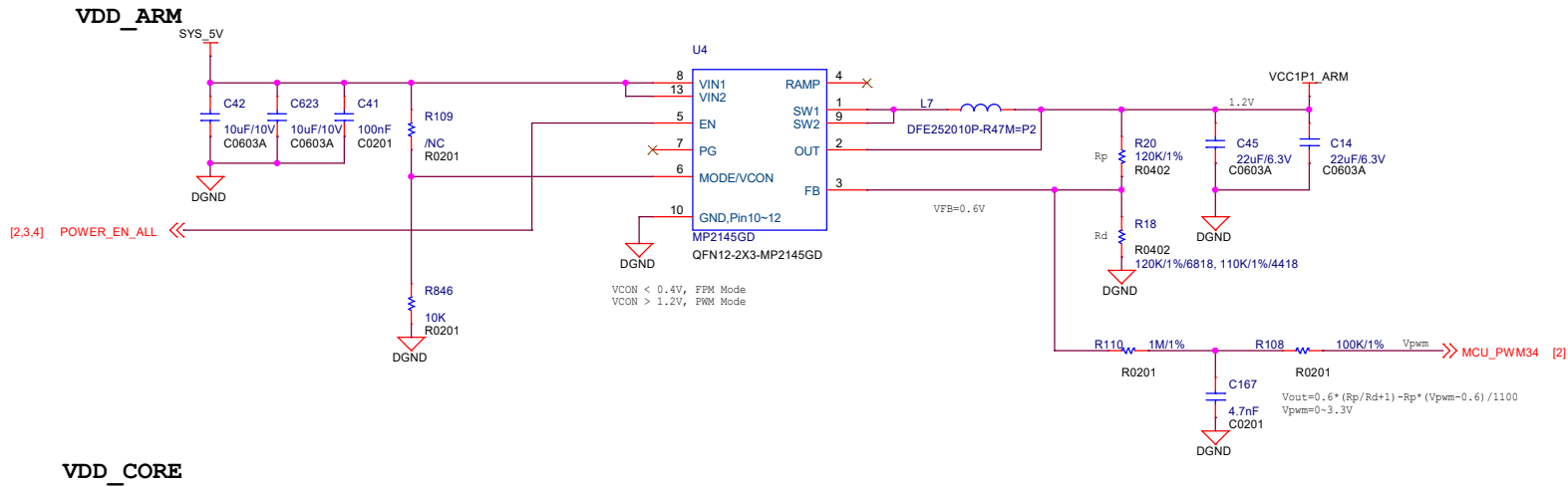
SOM-4418		
Size A3	Document Number 01.Title	Rev 2005
Date:	Tuesday, August 11, 2020	Sheet 1 of 15



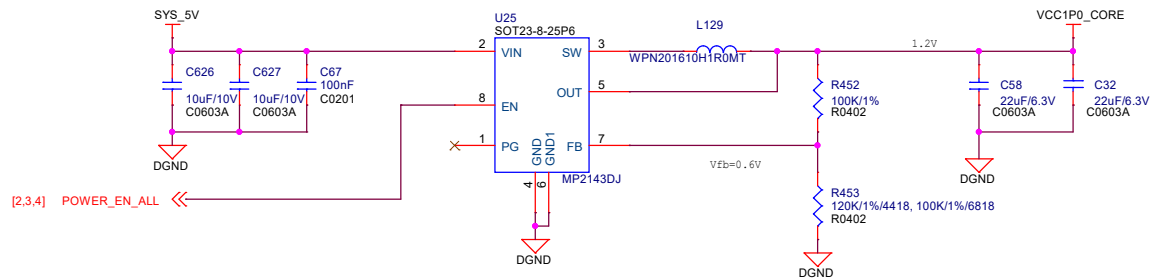
RTC Power

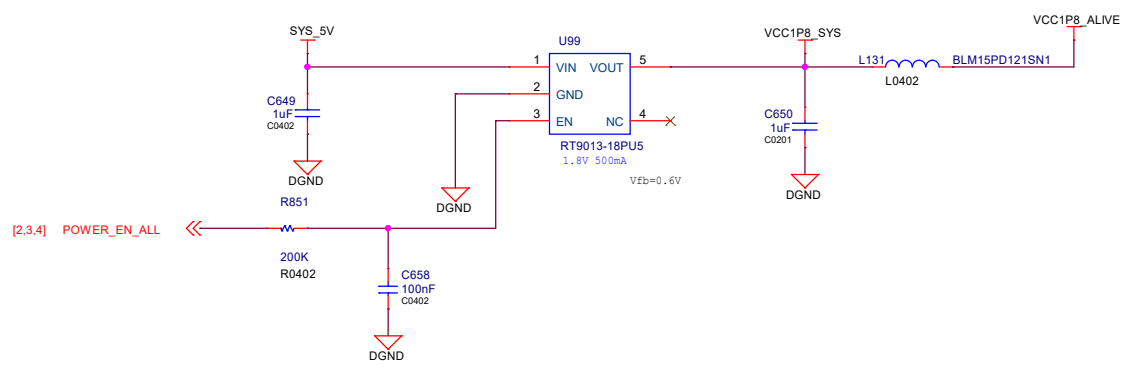
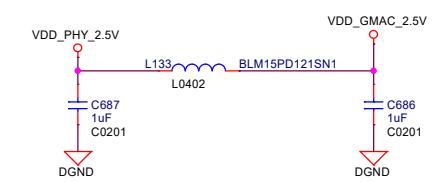
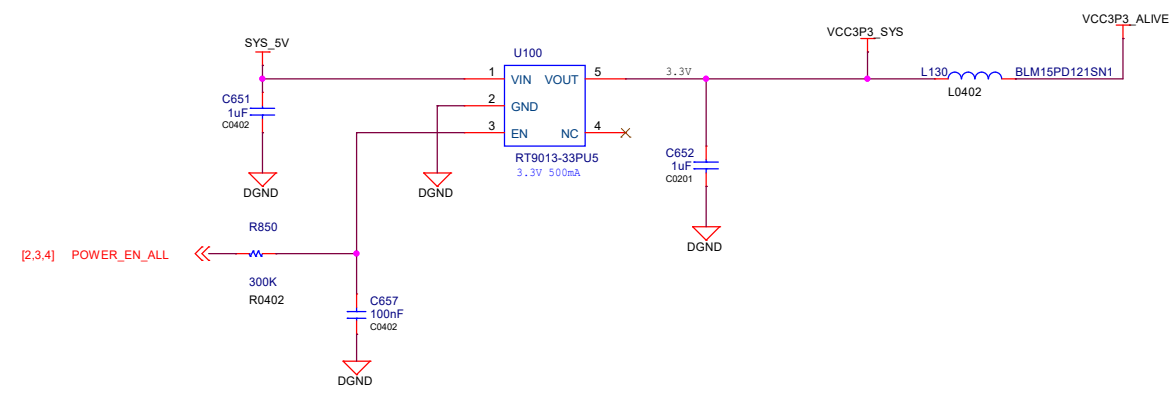
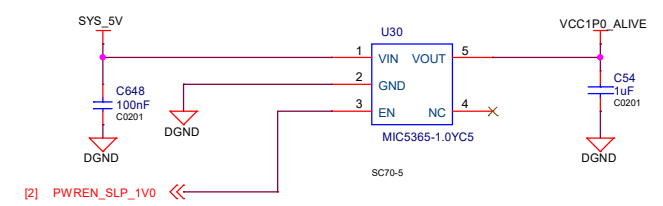
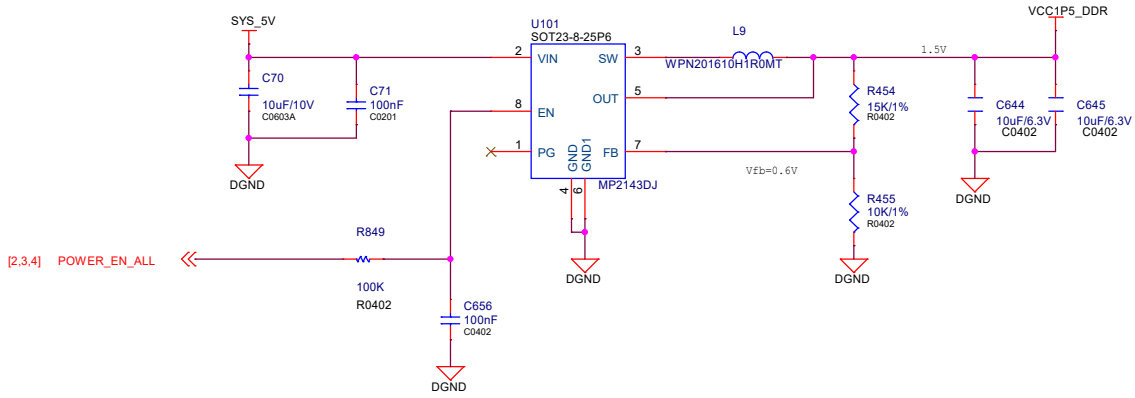


SOM-4418		
Size A3	Document Number 02.5VIN, RTC Power	Rev 2005
Date: Tuesday, December 10, 2019	Sheet 2 of 15	



VDD_CORE

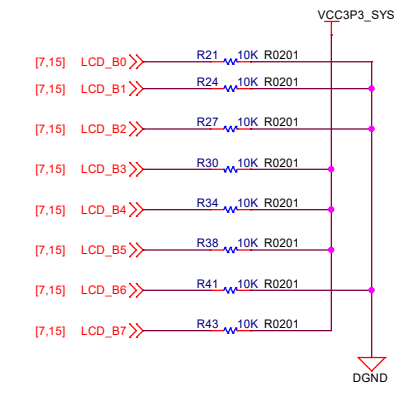
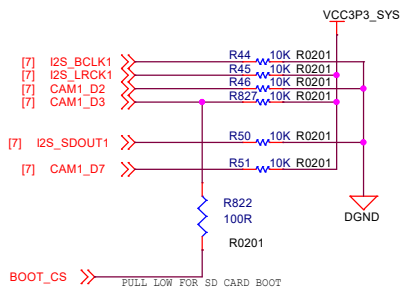
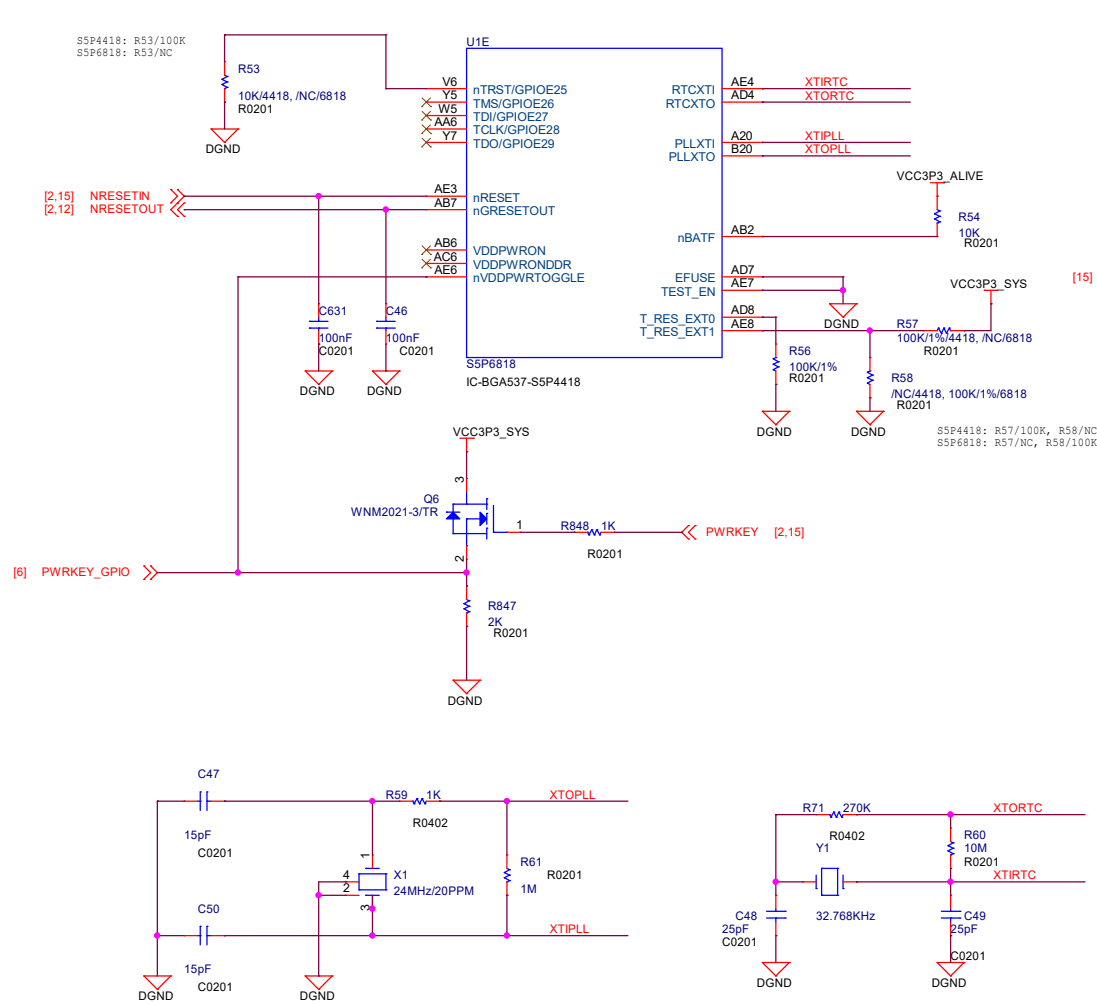




SOM-4418		
Size A3	Document Number 04.VDD_DDR/3.3V	Rev 2005
Date: Thursday, May 07, 2020	Sheet 4	of 15

System Reset, Clocks

Boot Mode Config



BOOT MODE OPTION

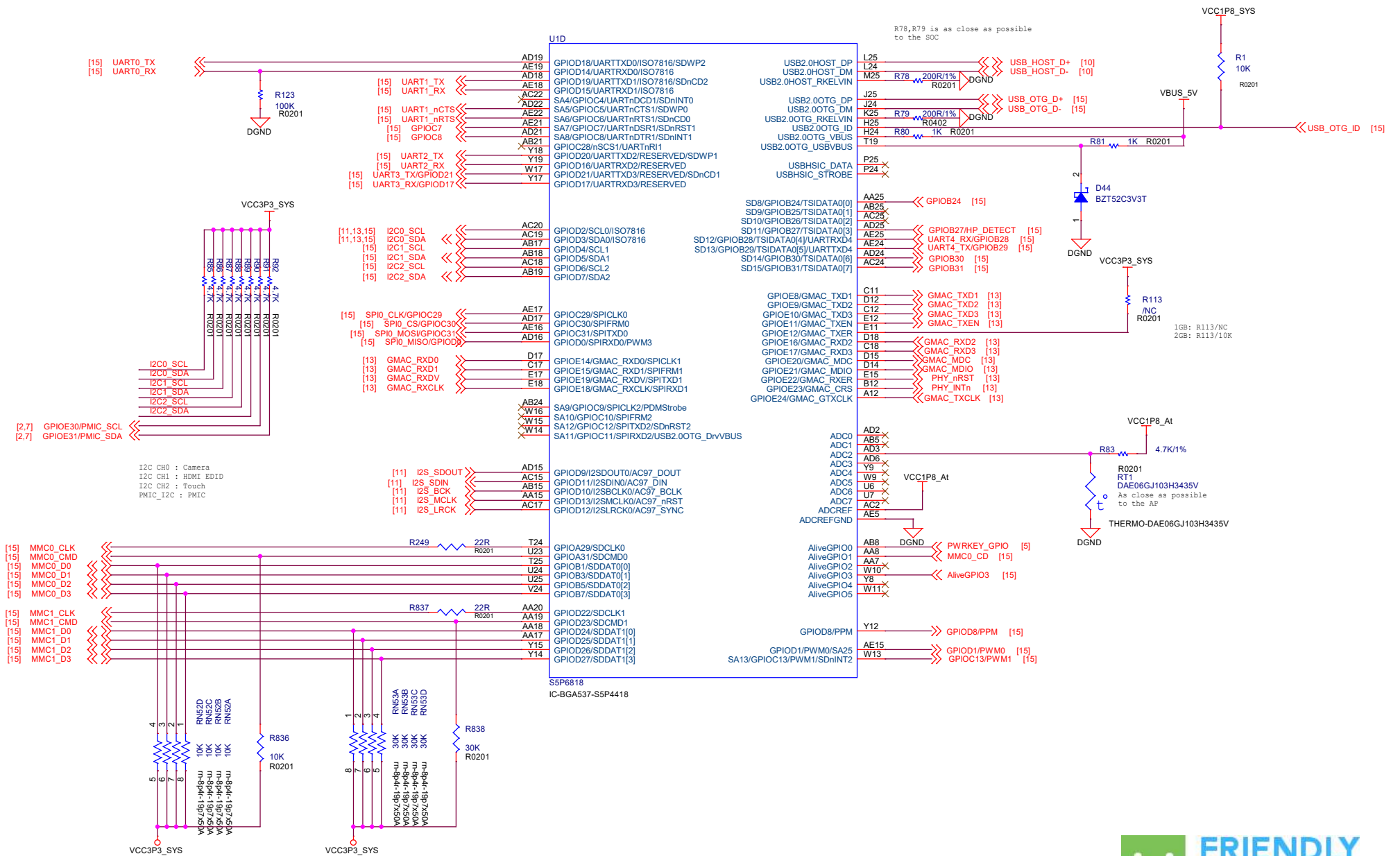
	eMMC	SPI	USB	NAND
SD0	HIGH	LOW	LOW	HIGH
SD1	LOW	LOW	HIGH	HIGH
SD2	HIGH	HIGH	HIGH	HIGH
SD4	LOW	HIGH		
SD5	LOW	LOW		

Boot media port select (SPI, eMMC)

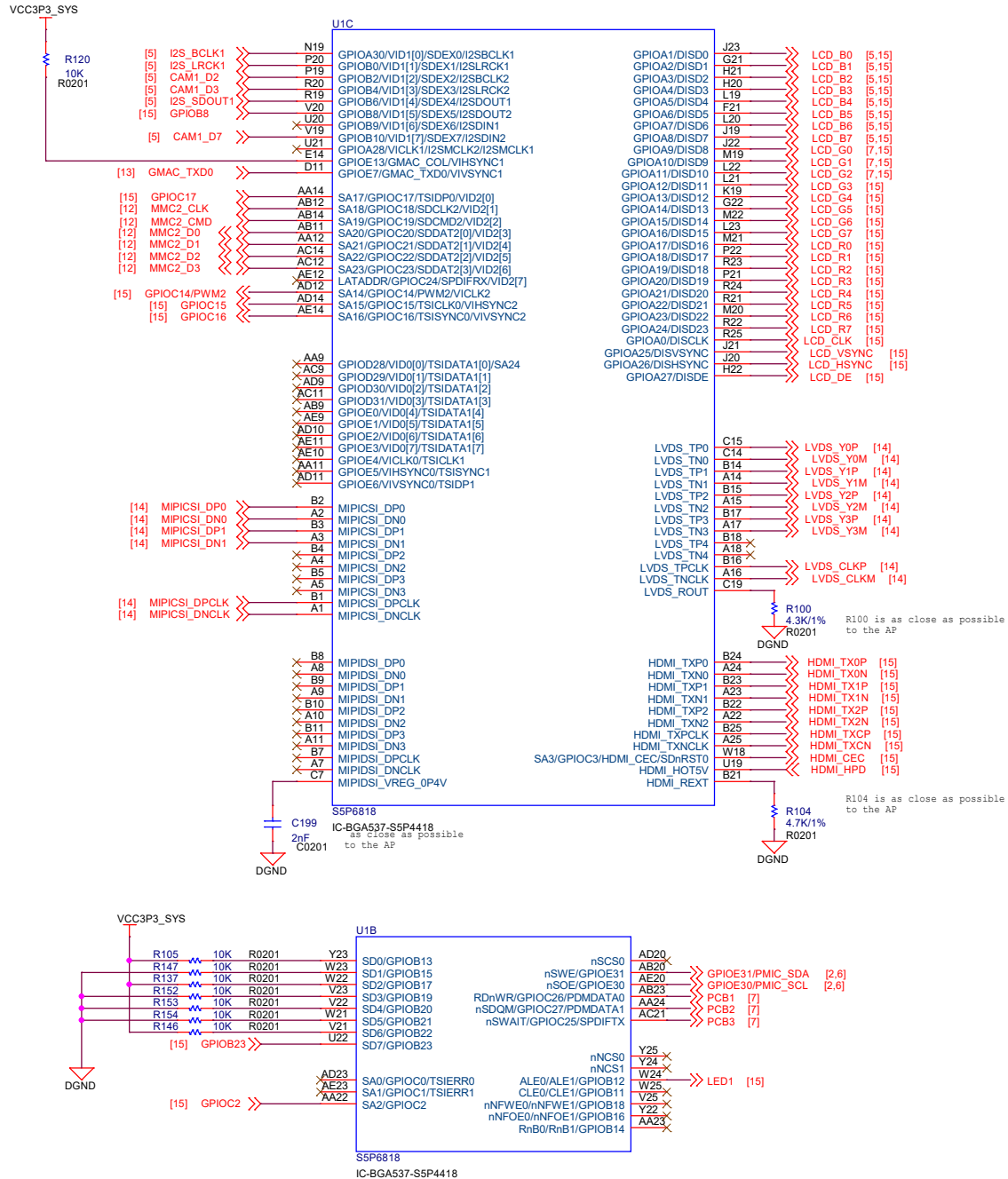
	CH0	CH1	CH2
SD3	LOW	HIGH	LOW
CAM1_D3	LOW	LOW	HIGH



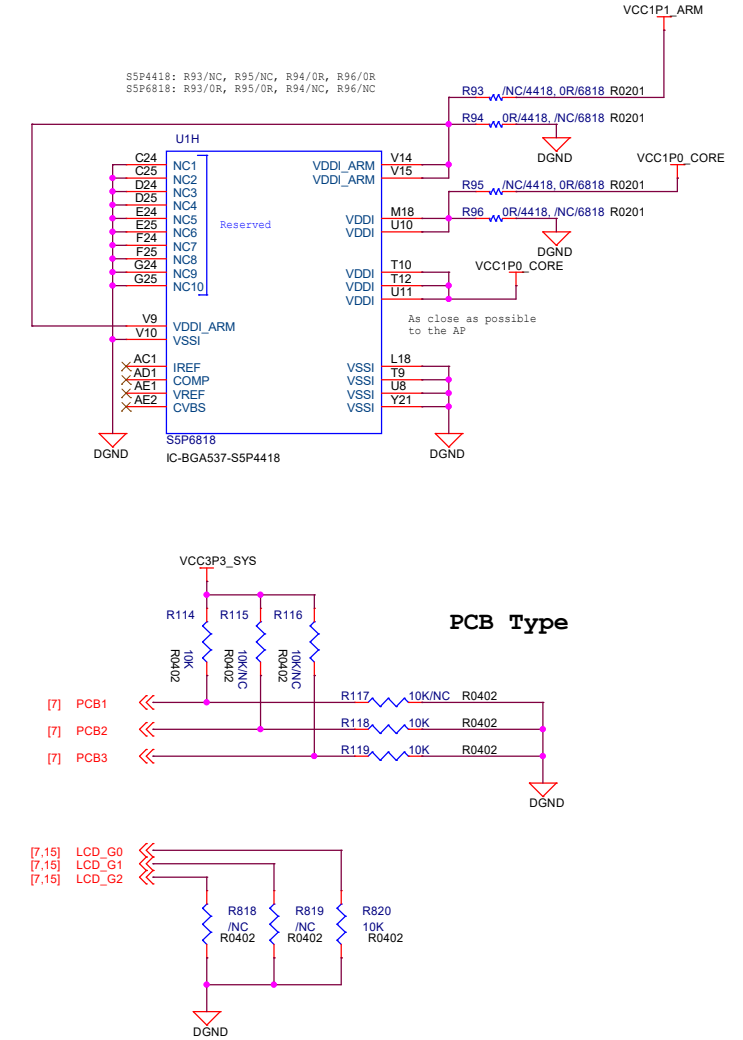
AP Peripherals



AP VIP&Display

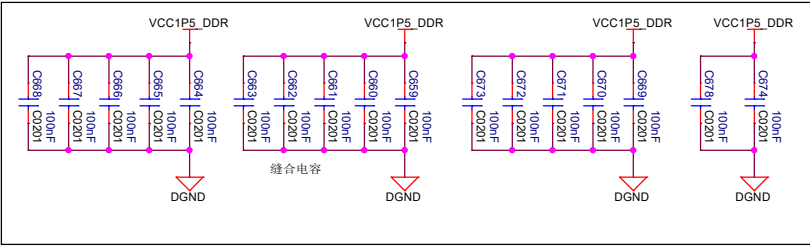
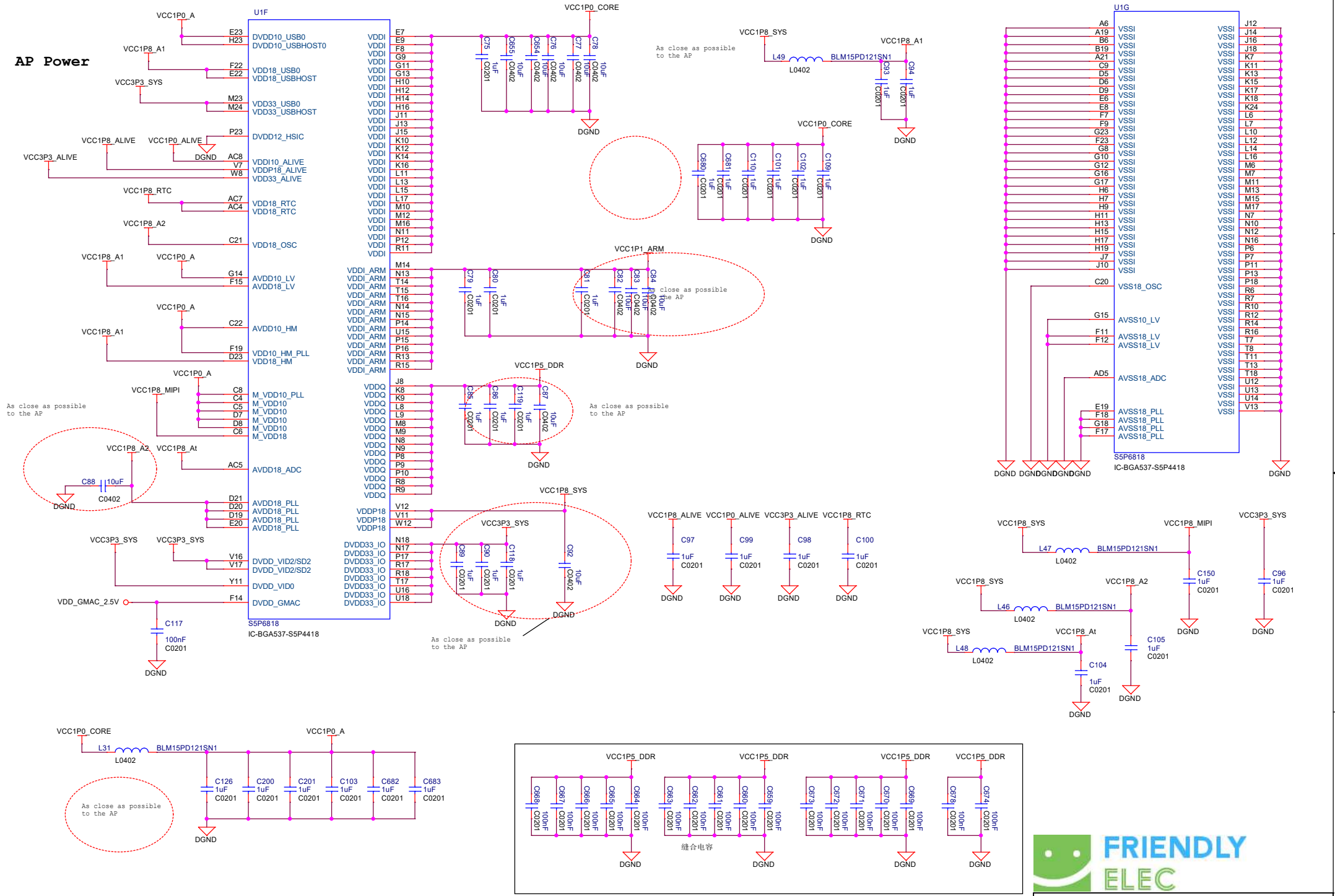


Reserved Function

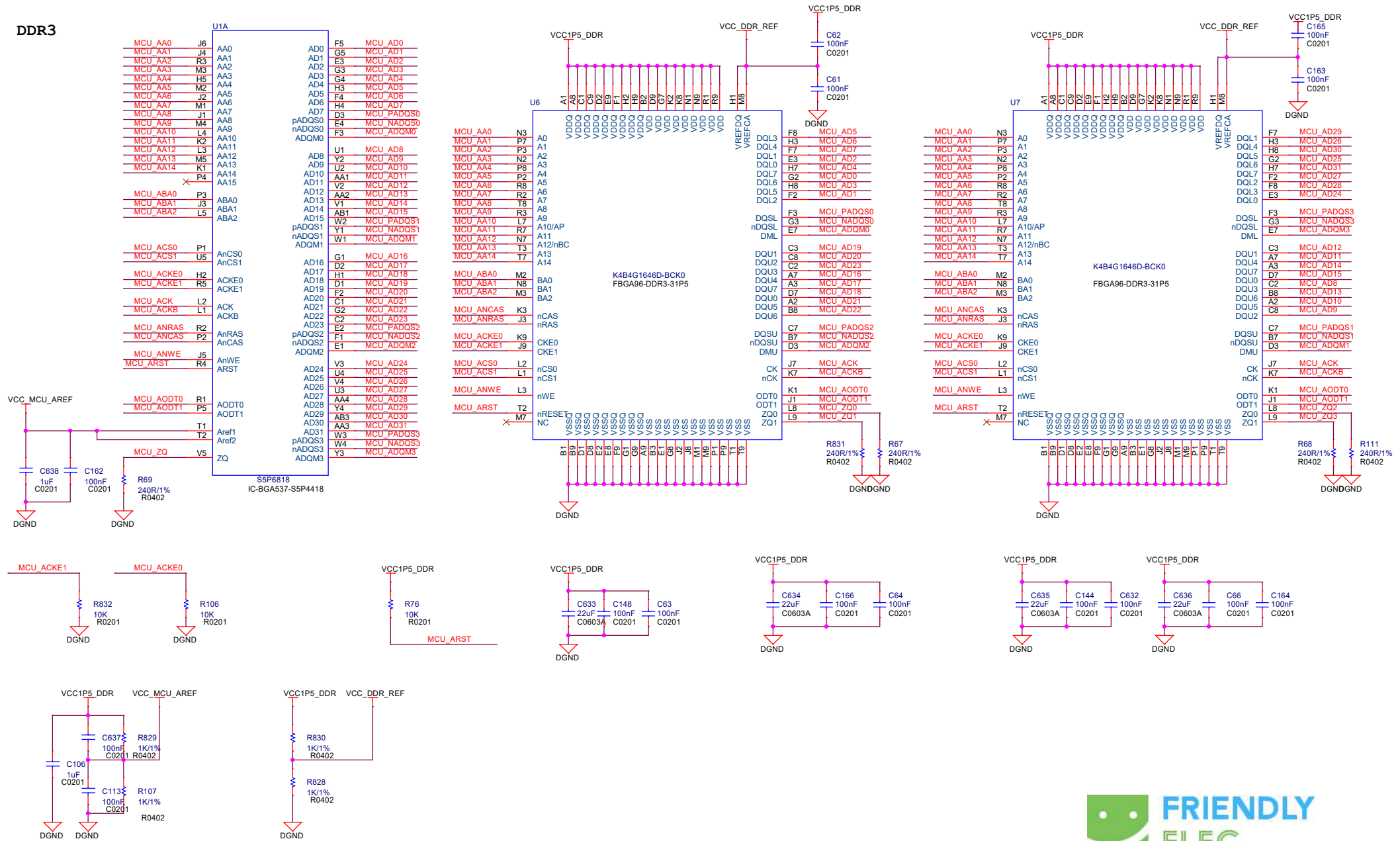


SOM-4418		
Size A3	Document Number 07-AP VIP&Display	Rev 2005
Date: Friday, May 15, 2020	Sheet 7	of 15

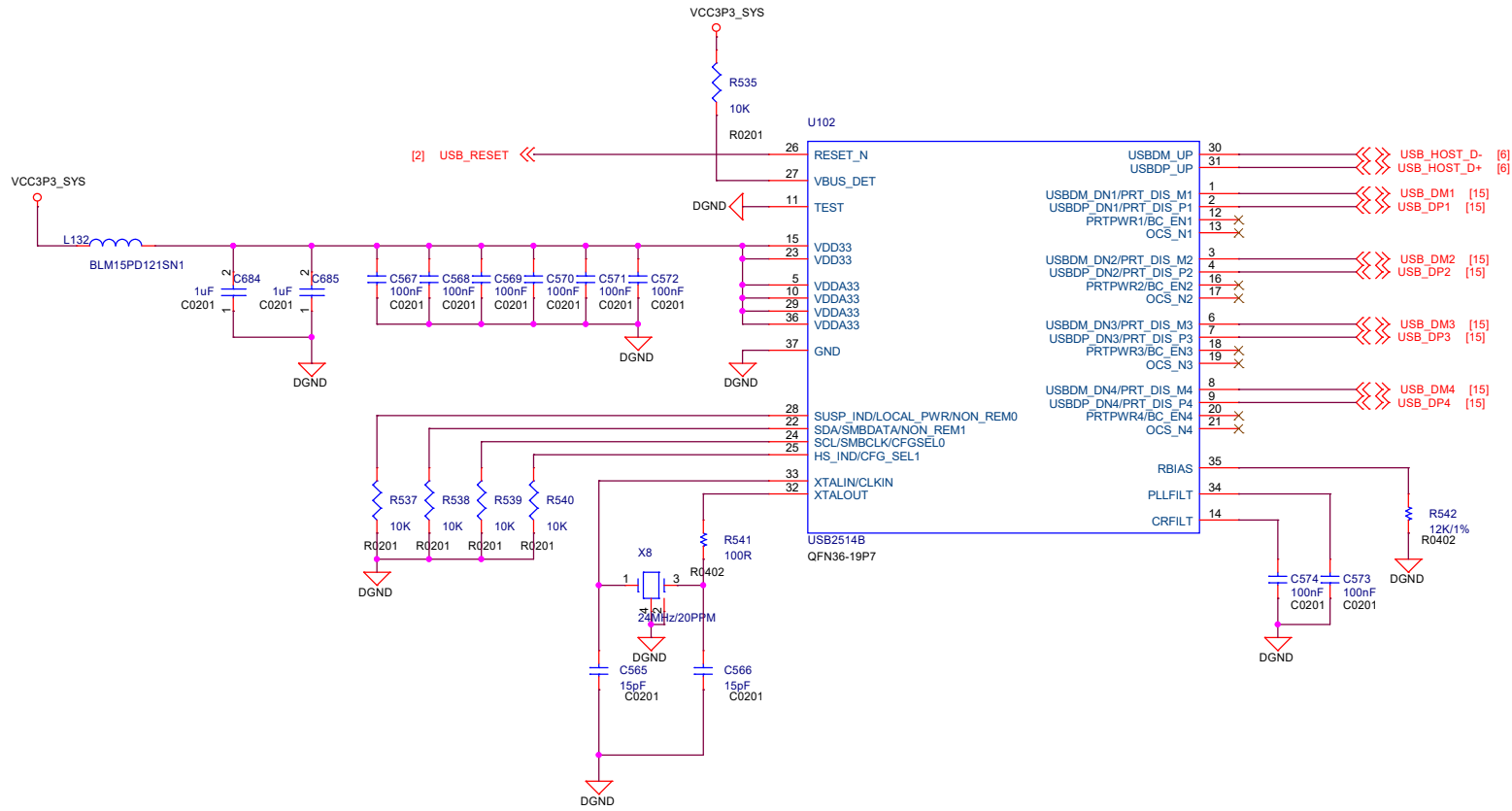
AP Power



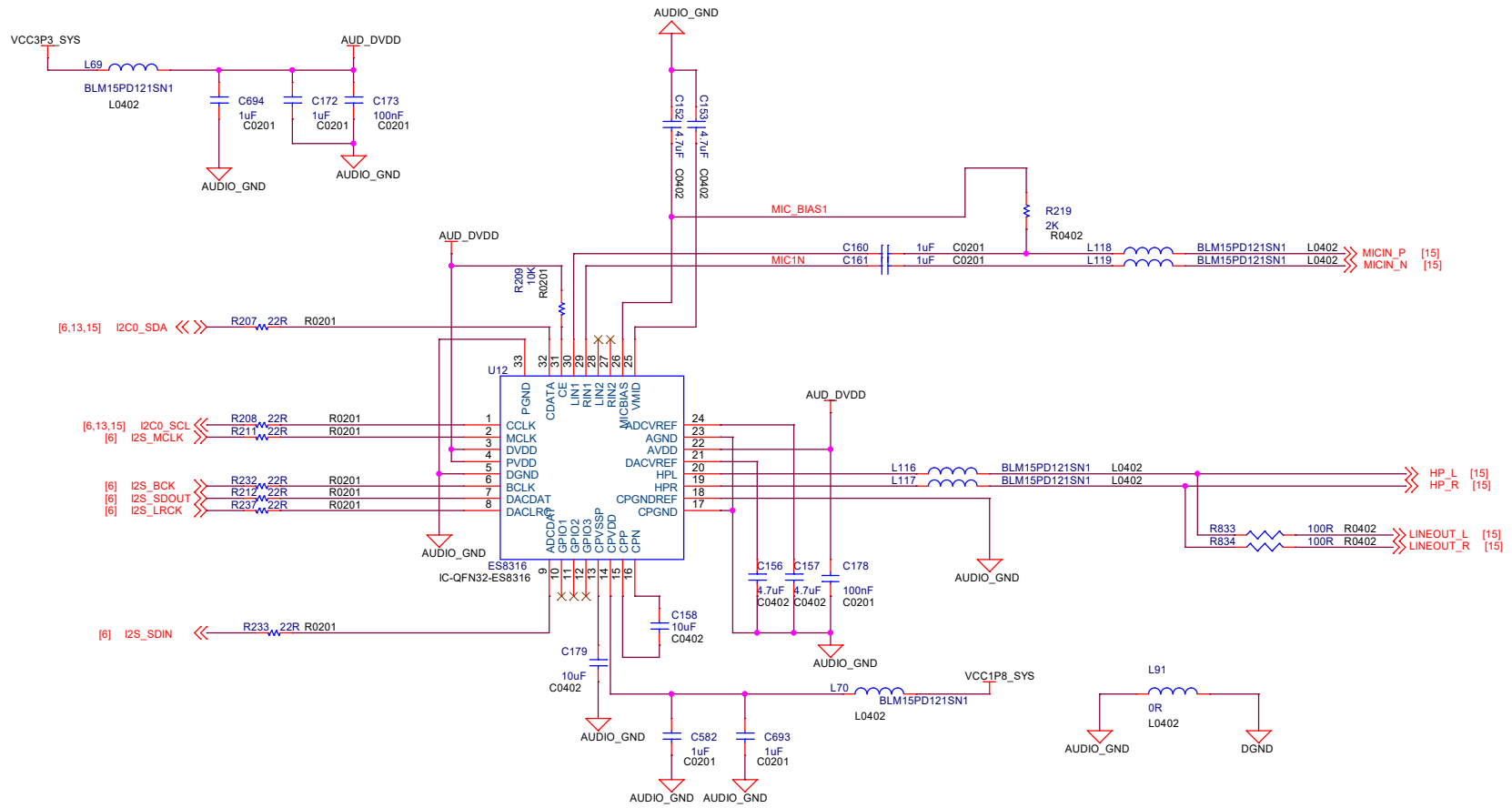
DDR3

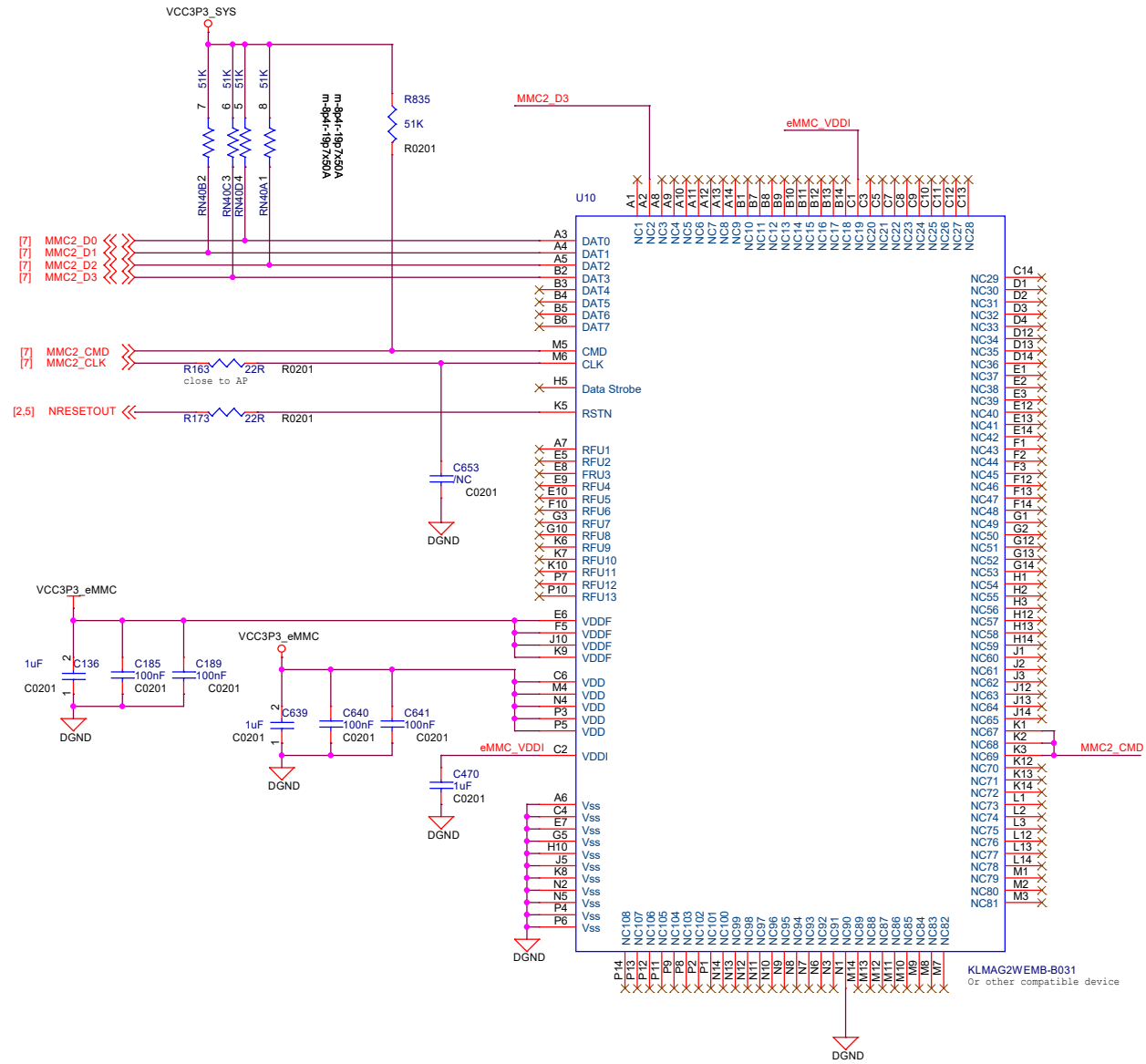


USB 2.0



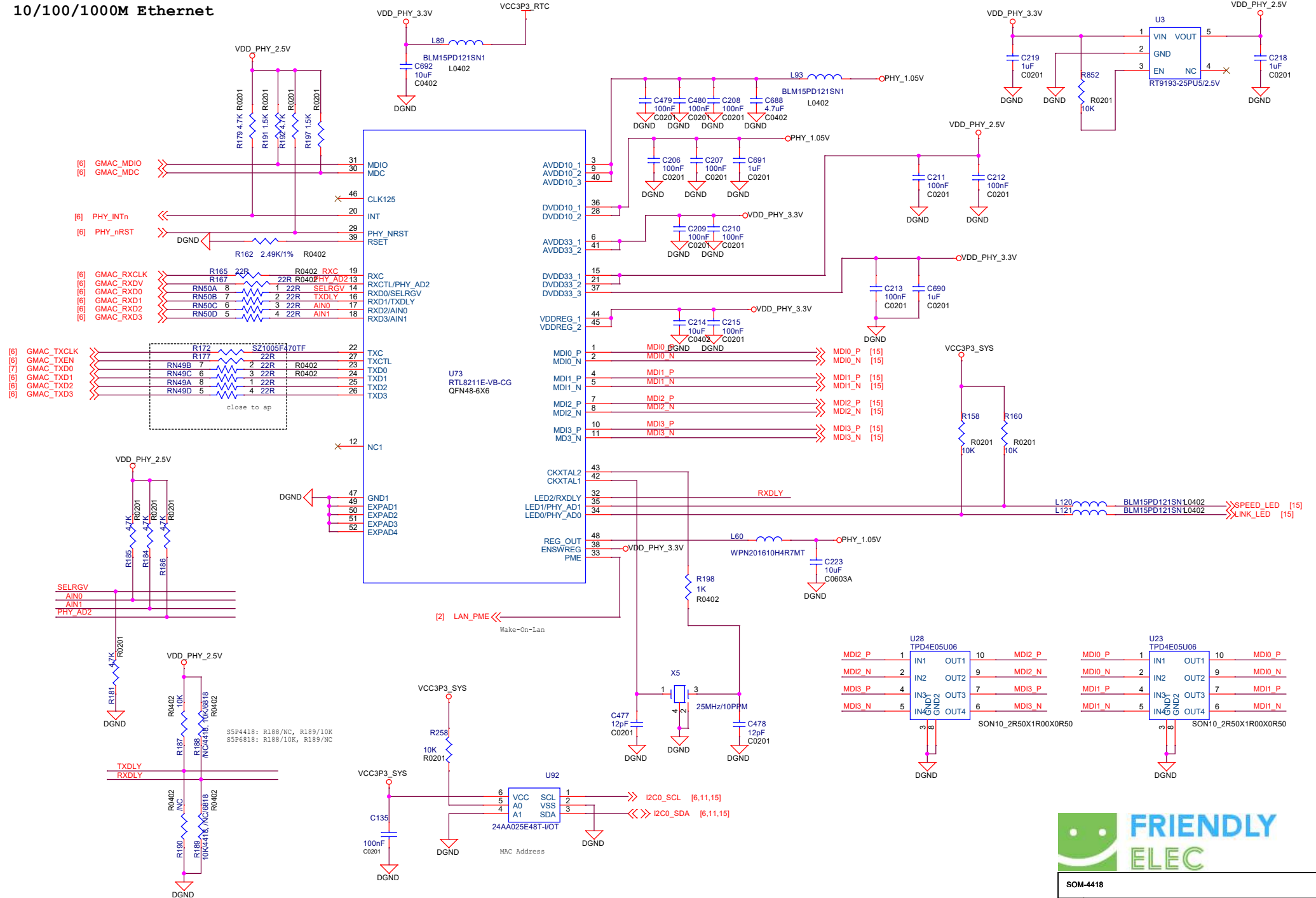
Audio

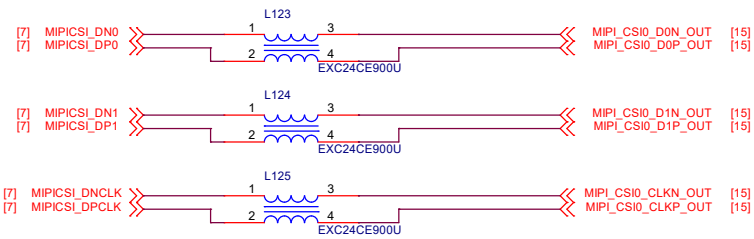




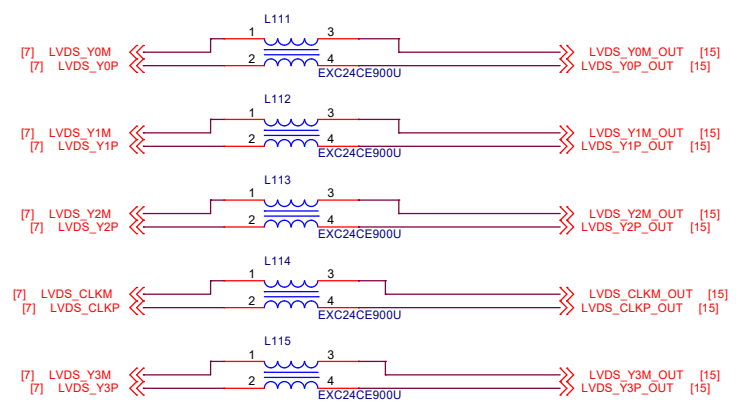
SOM-4418		
Size	Document Number	Rev
A3	12.eMMC	2005
Date:	Tuesday, August 11, 2020	Sheet 12 of 15

10/100/100M Ethernet





MIPI-CSI



LVDS

