

# NanoPi M1 Plus

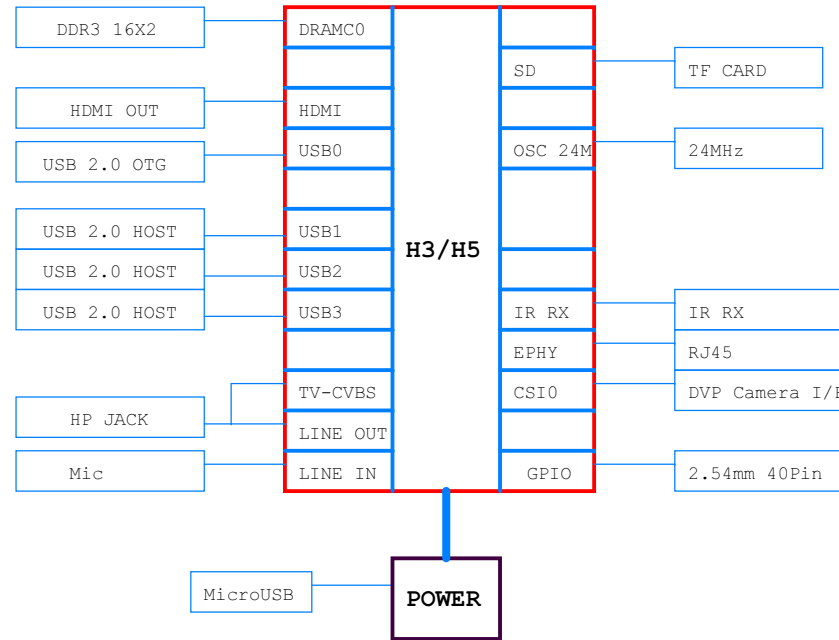
Revision

1702 , First Release

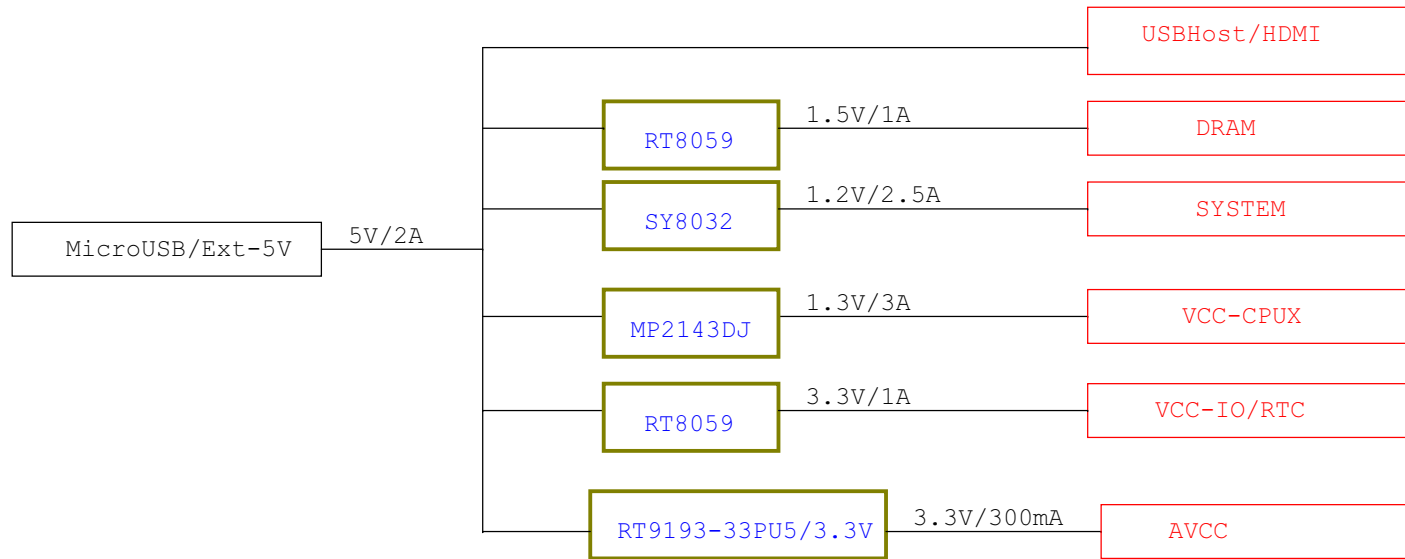


NanoPi M1 Plus		
Size A3	Document Number Title	Rev 1702
Date:	Monday, February 27, 2017	Sheet 1 of 15

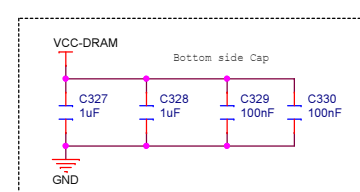
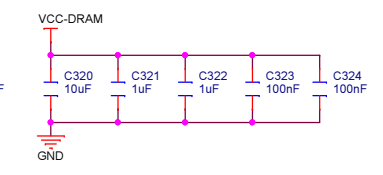
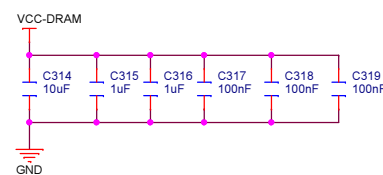
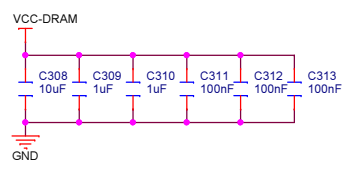
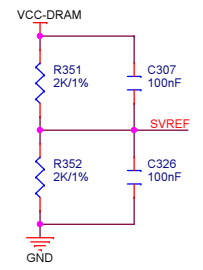
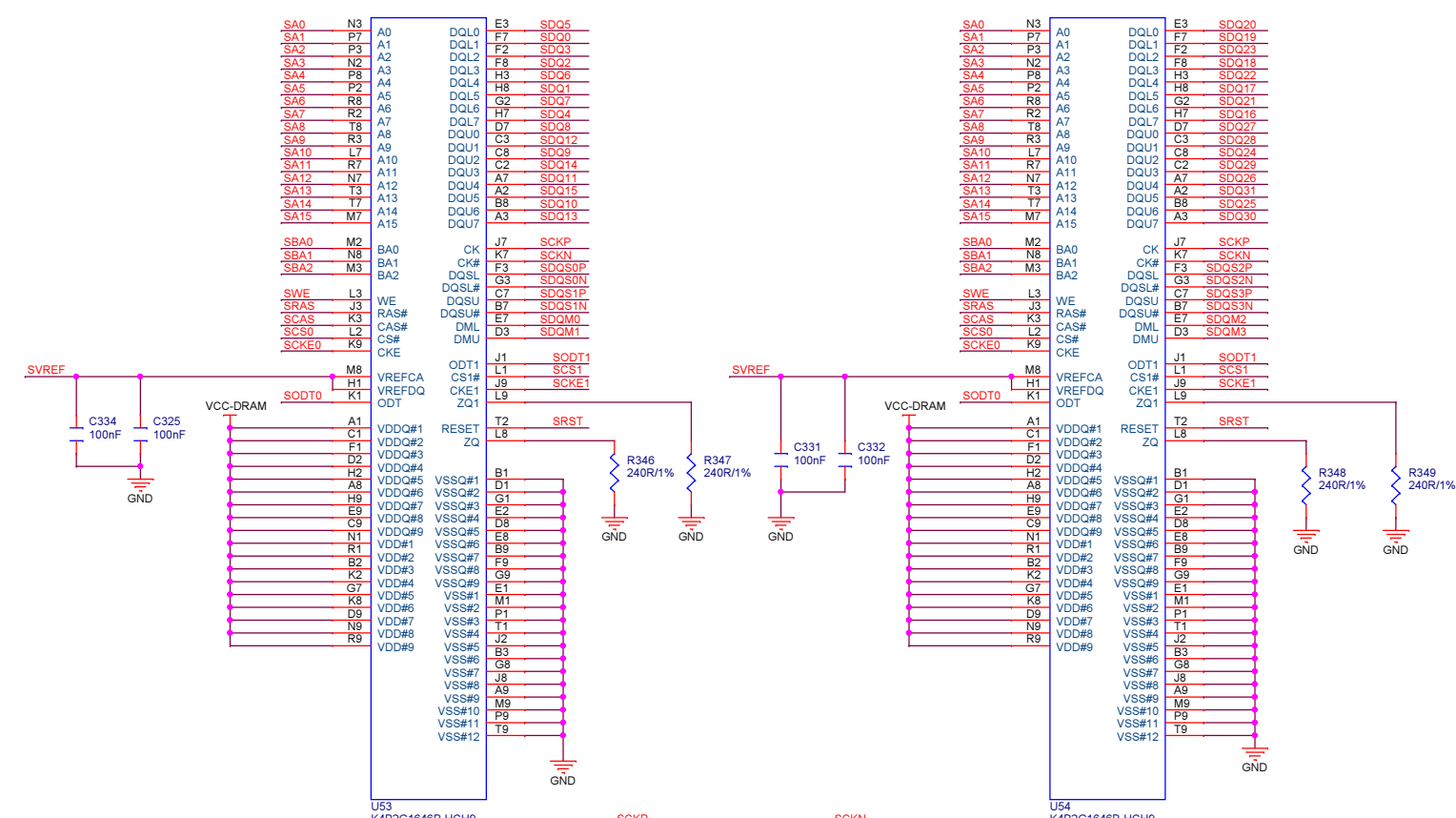
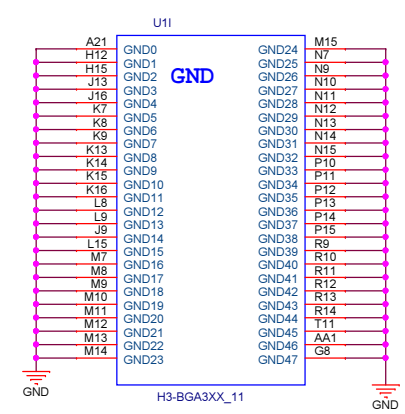
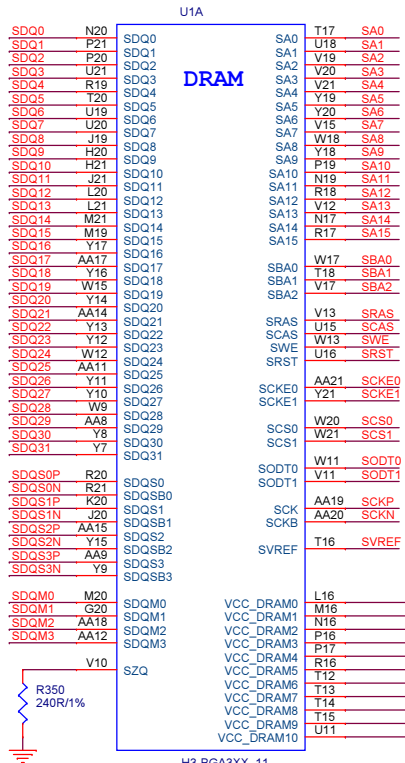
# BLOCK



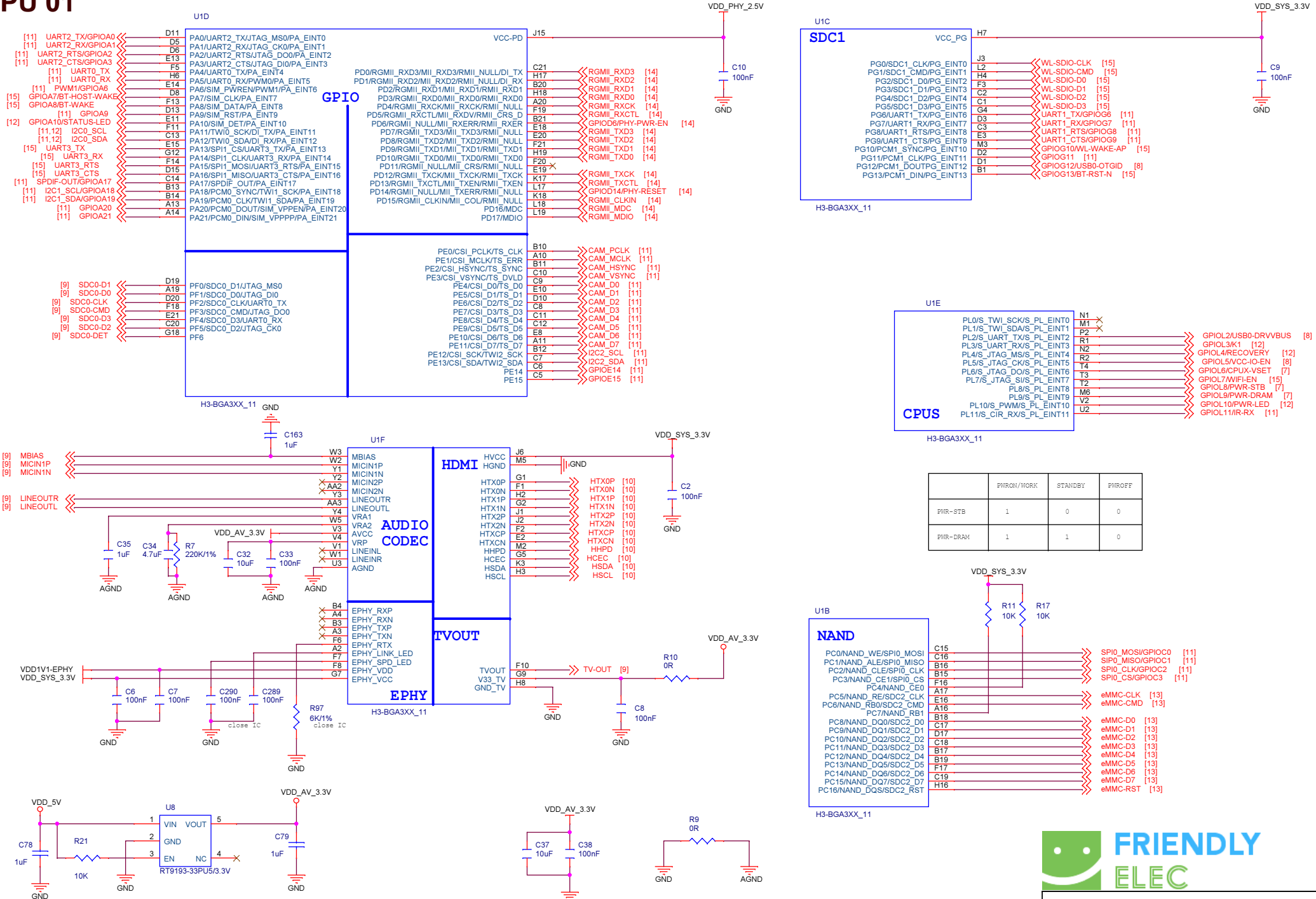
# POWER TREE



# DDR3 16x2



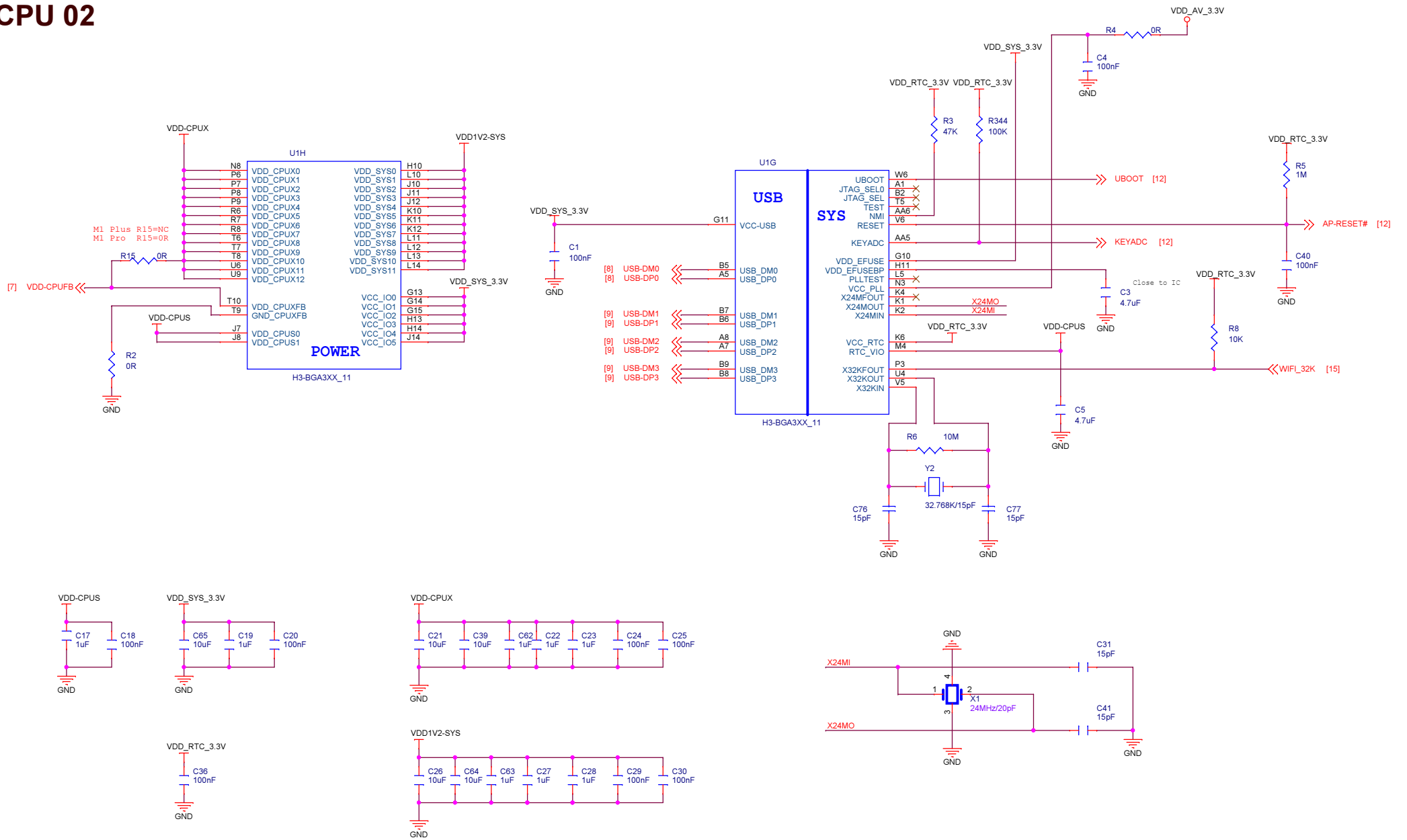
# CPU 01



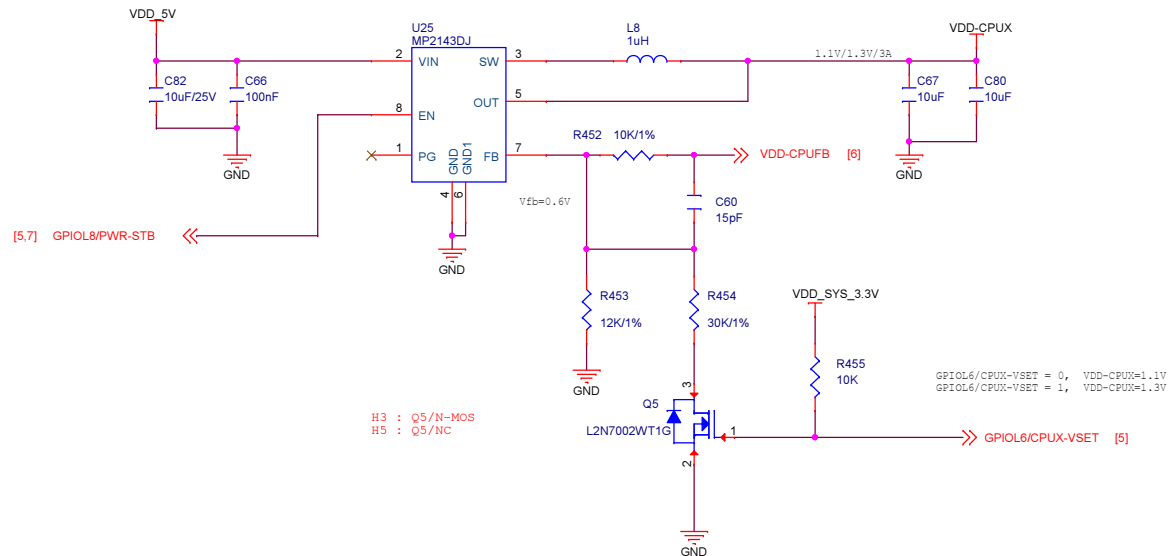
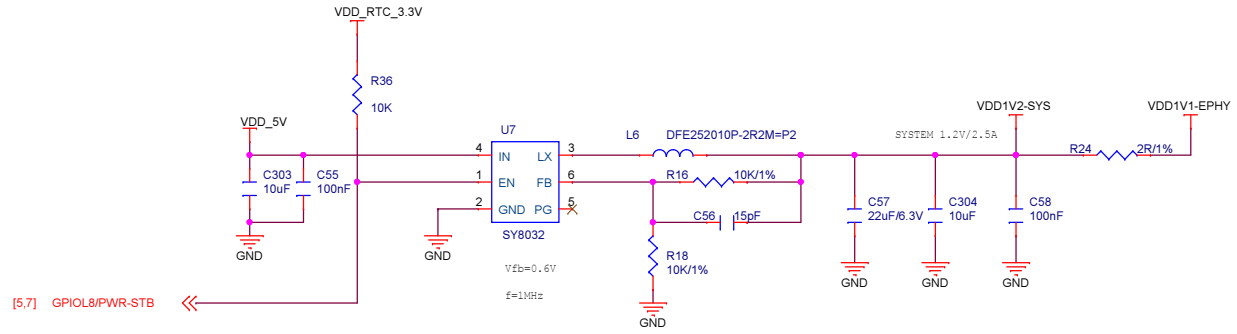
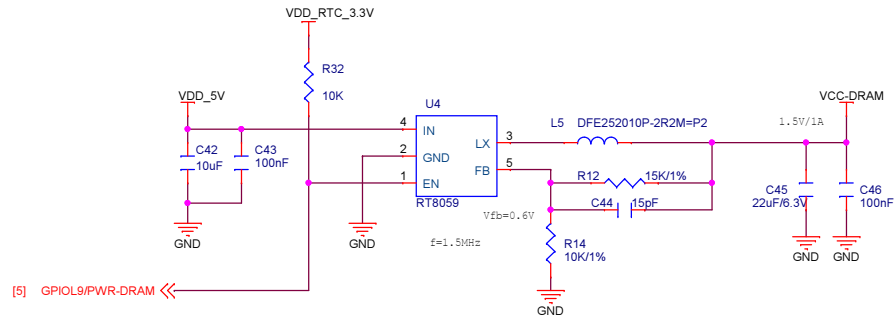
	PWRON/WORX	STANDBY	PWROFF
PWR-STB	1	0	0
PWR-DRAM	1	1	0



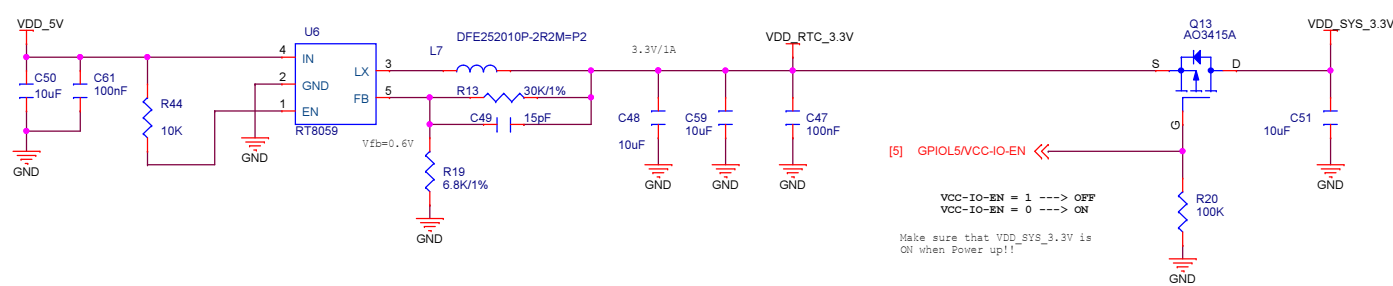
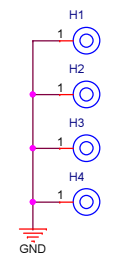
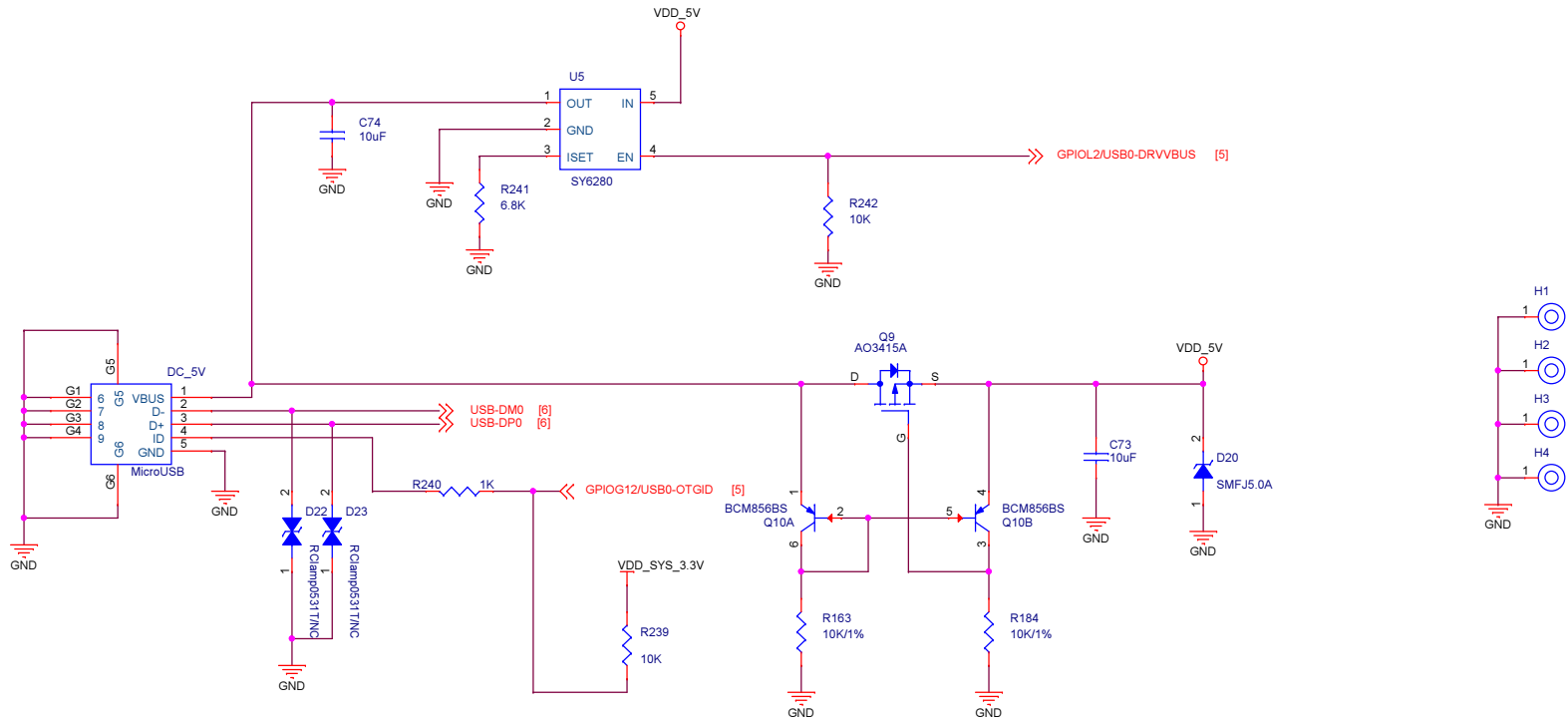
# CPU 02



# POWER 01

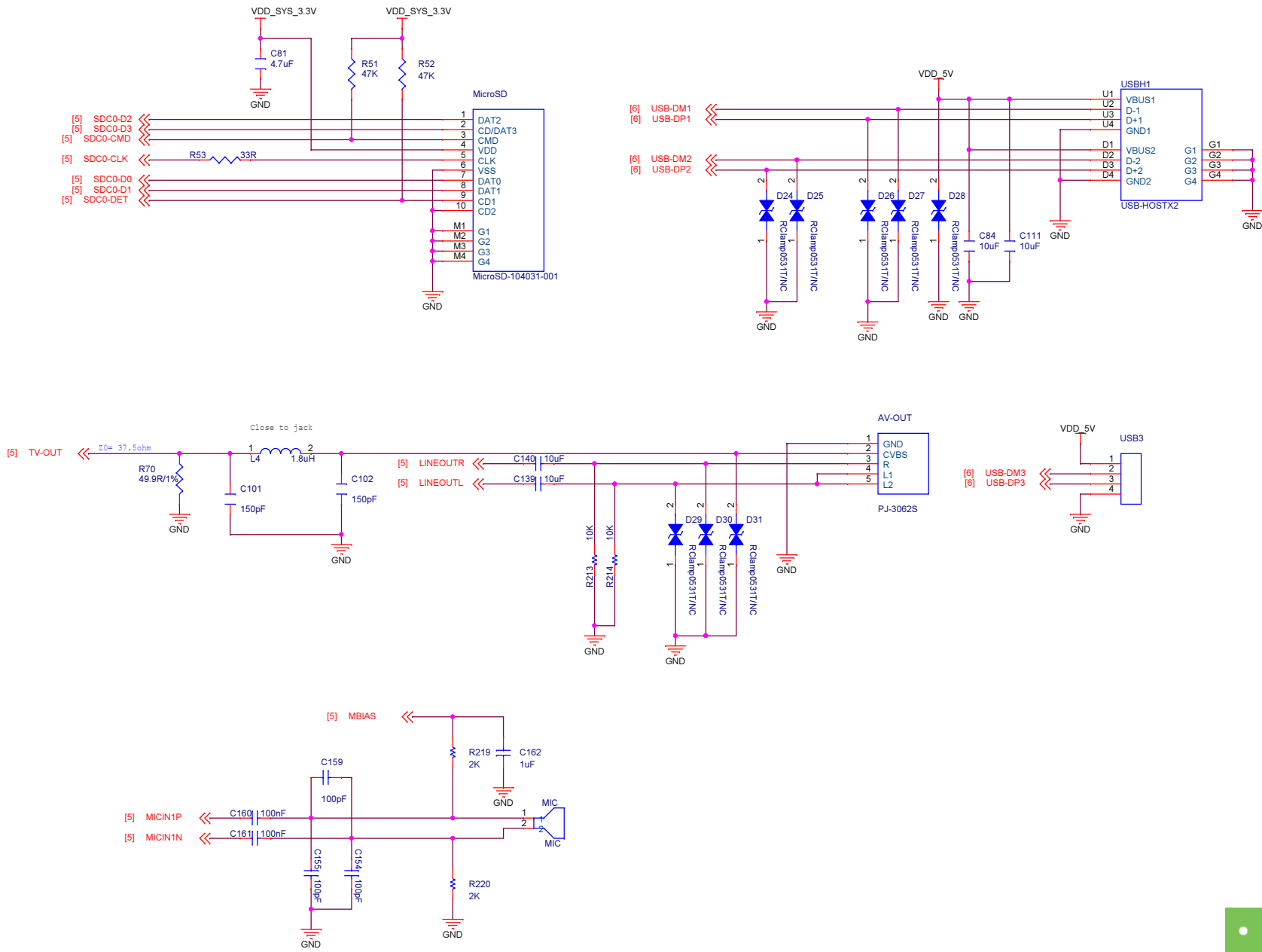


# POWER 02



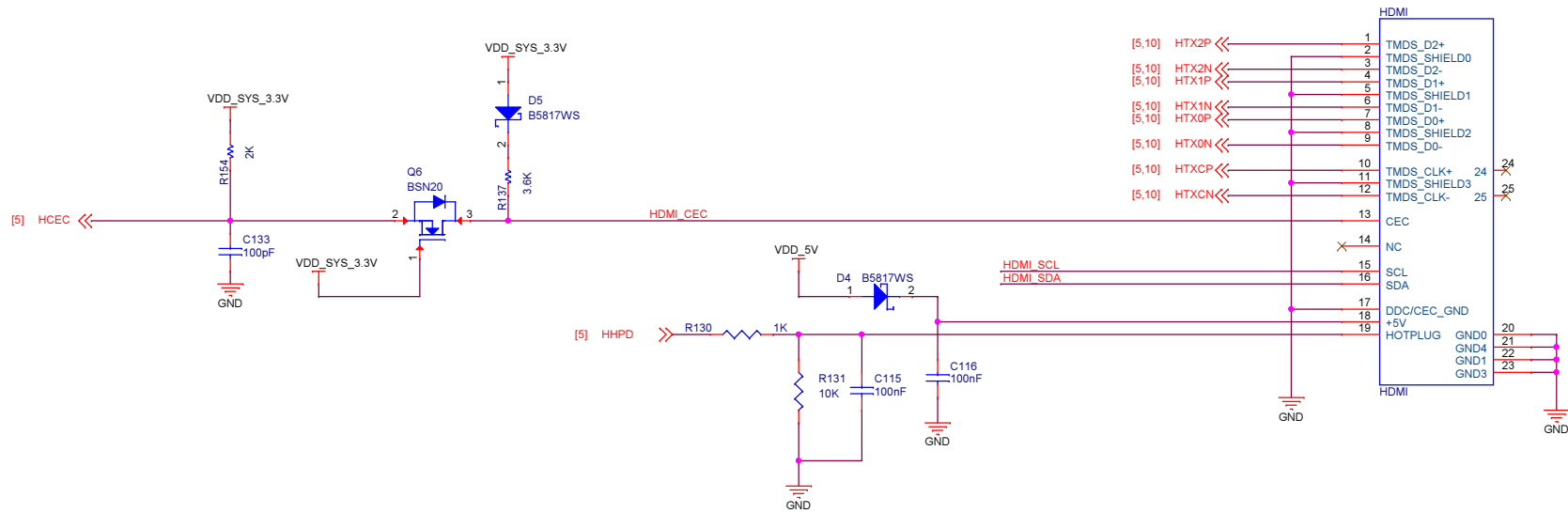
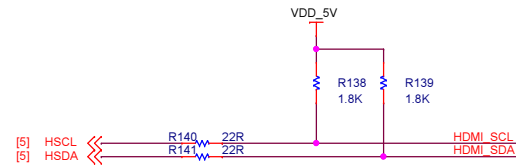
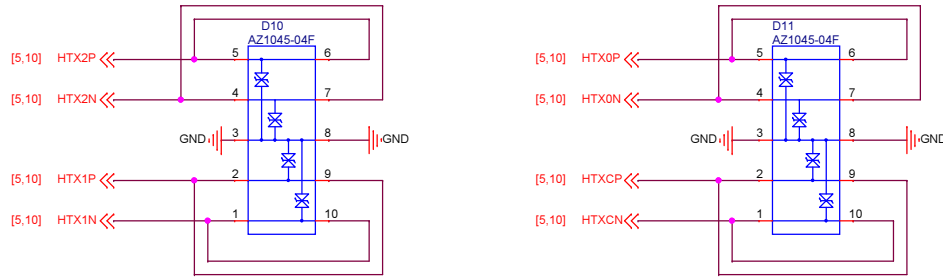


# TF,USB Host, AV,MIC

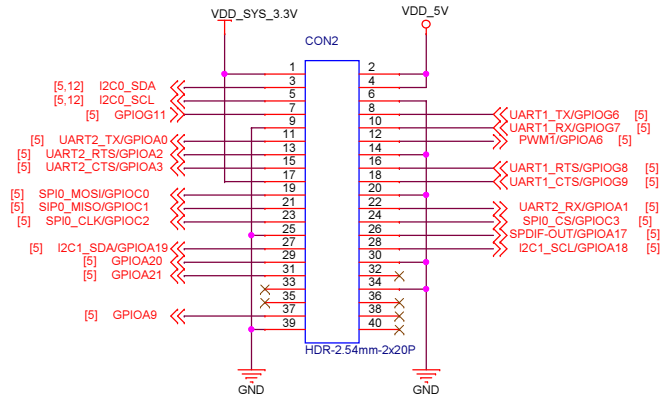


NanoPi M1 Plus		
Size A3	Document Number TF,USB Host, AV,MIC	Rev 1702
Date: Monday, February 27, 2017	Sheet 9	of 15

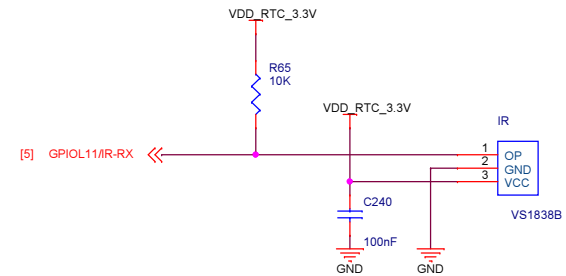
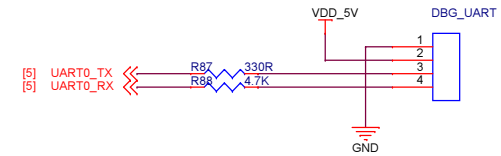
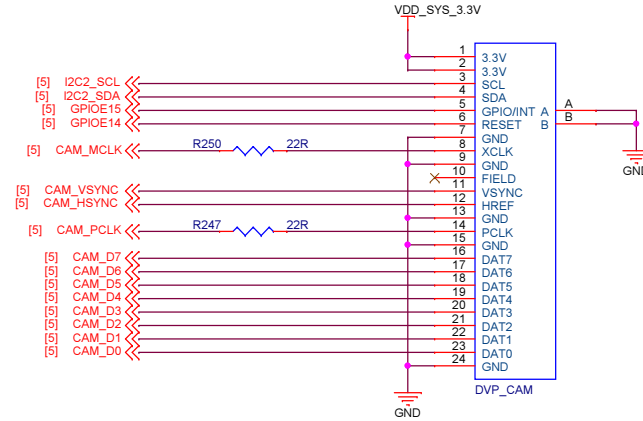
# HDMI



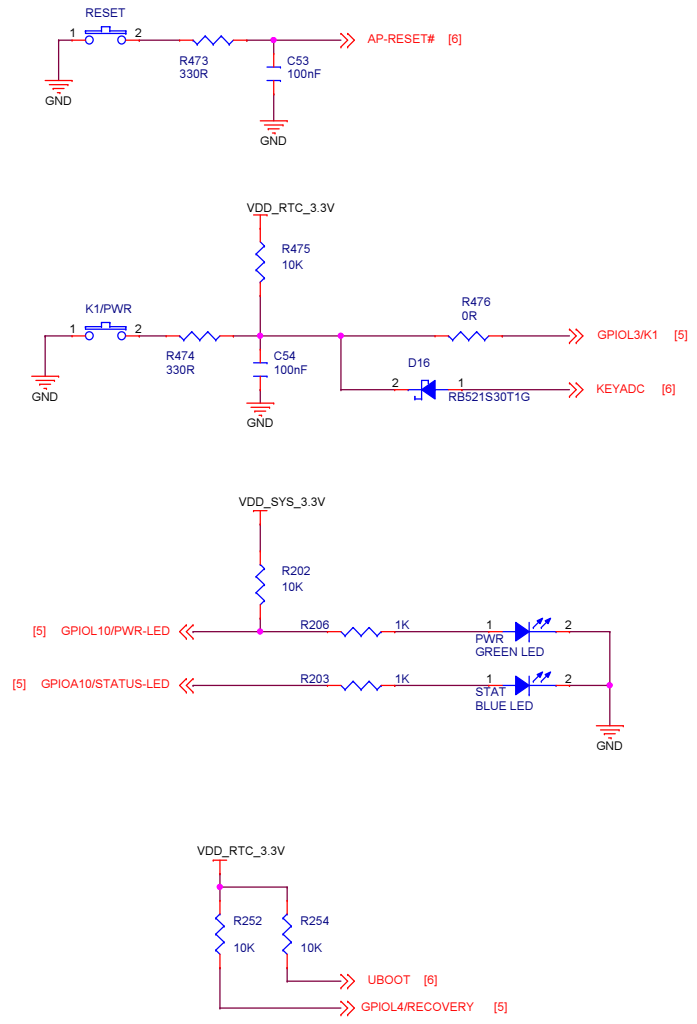
# GPIO, CAM, IR



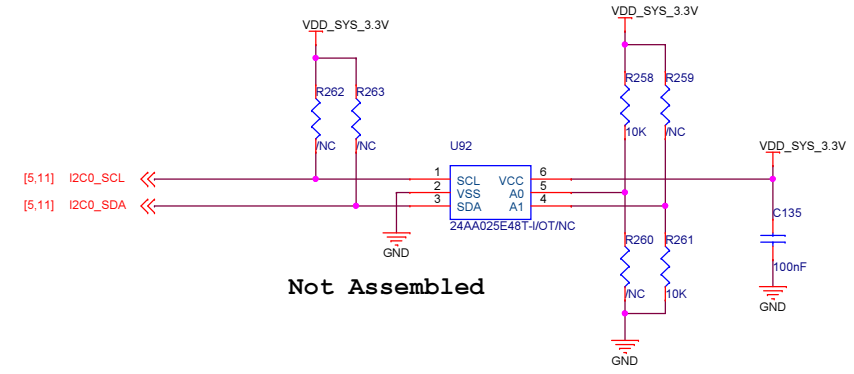
## Camera Interface



# LEDs, LAN, Keys



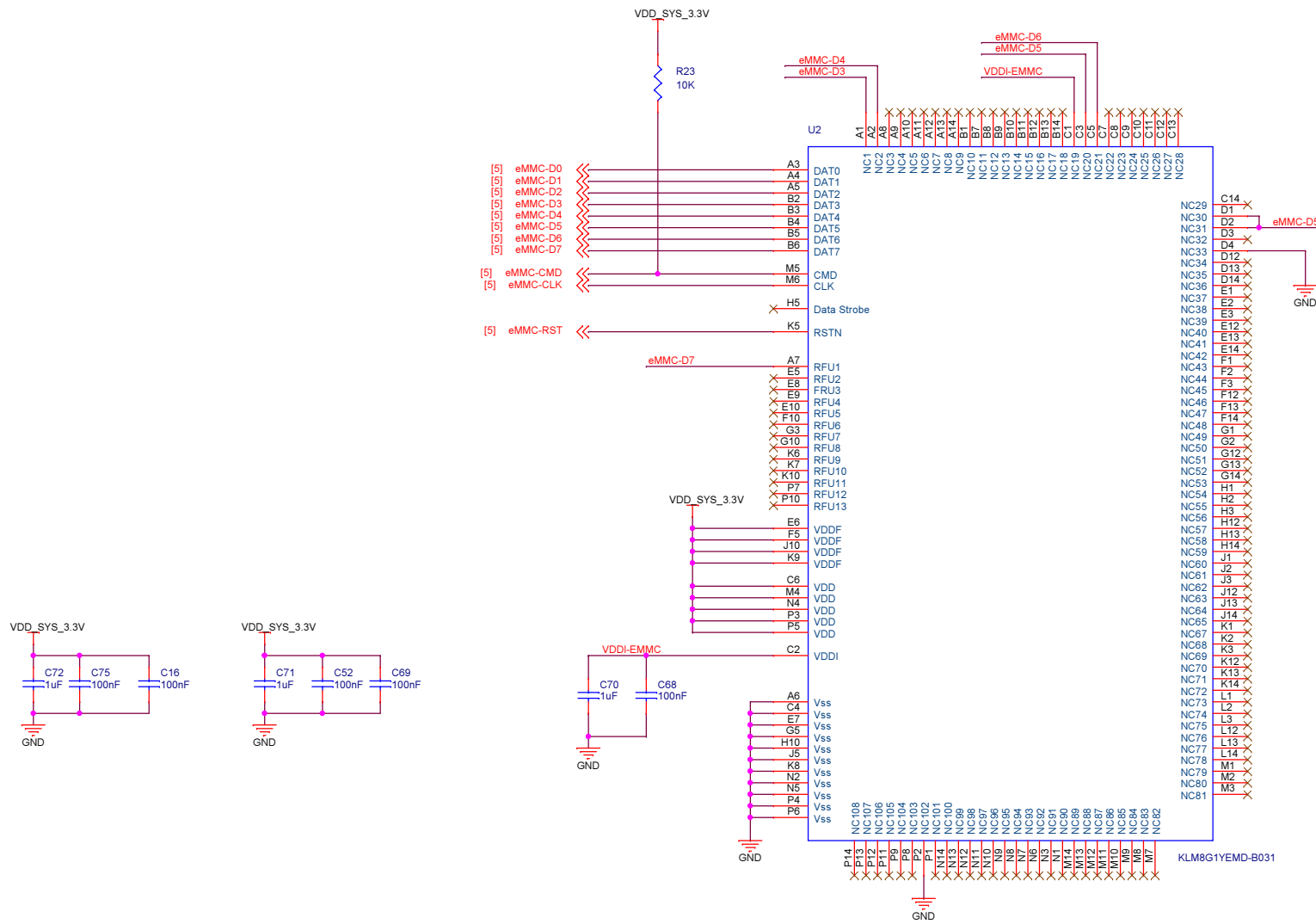
## EEPROM with MAC Address



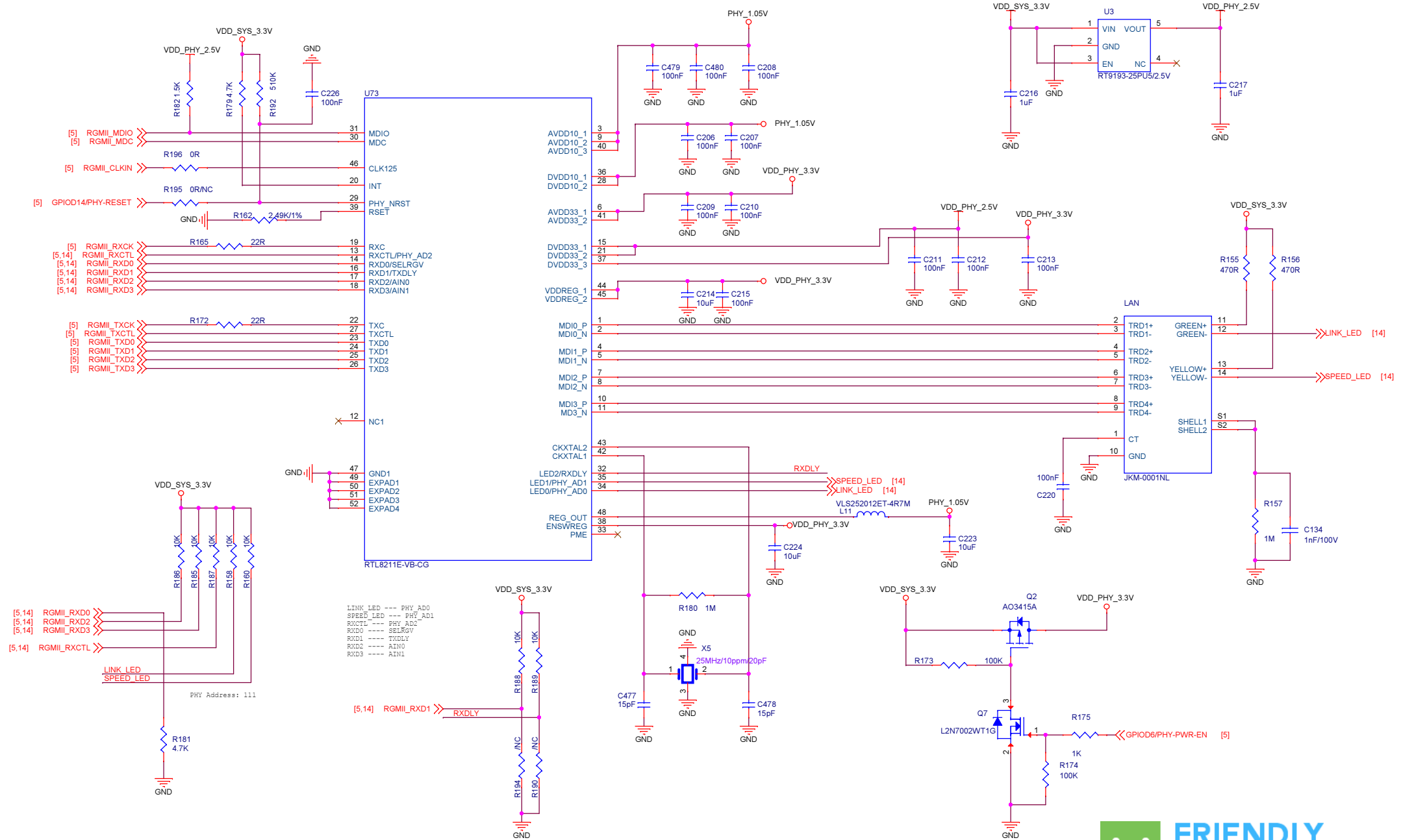
Not Assembled



NanoPi M1 Plus		
Size A3	Document Number LEDs, LAN, Keys	Rev 1702
Date: Monday, February 27, 2017	Sheet 12 of 15	



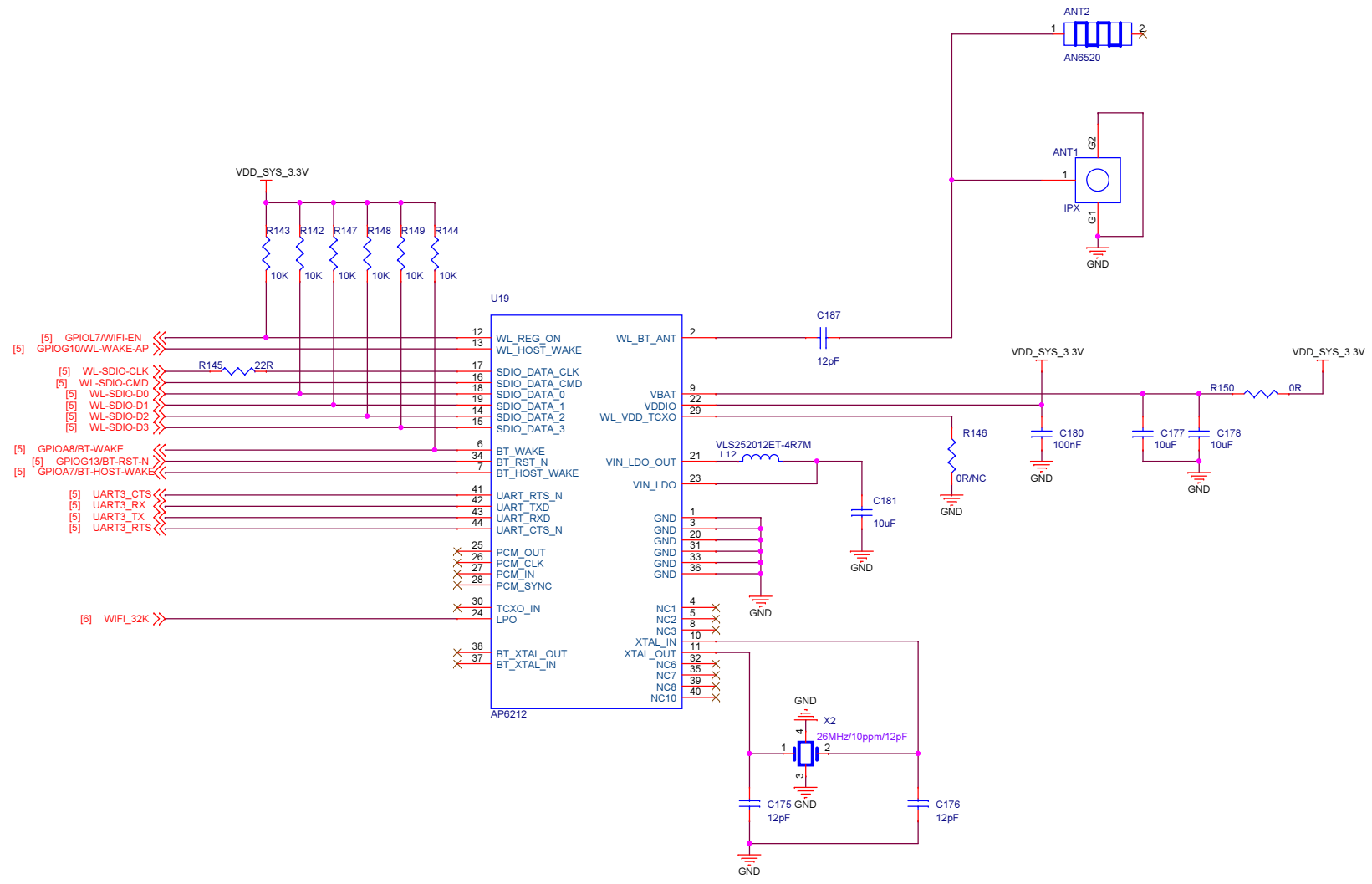
# 10/100/1000M Ethernet



LINK\_LED --- PHY\_AD0  
 SPEED\_LED --- PHY\_AD1  
 RCTL --- PHY\_AD2  
 RXD0 --- SELRGV  
 RXD1 --- TXDLY  
 RXD2 --- AIN0  
 RXD3 --- AIN1

PHY Address: 111





NanoPi M1 Plus		
Size A3	Document Number AP6212	Rev 1702
Date:	Monday, February 27, 2017	Sheet 15 of 15