

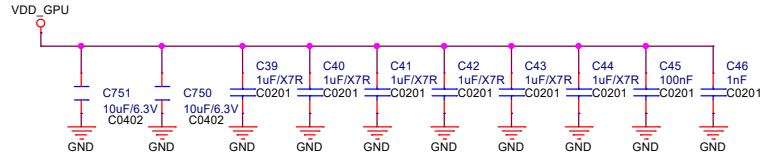
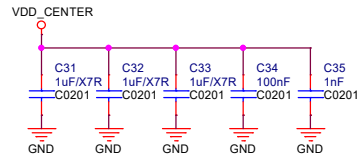
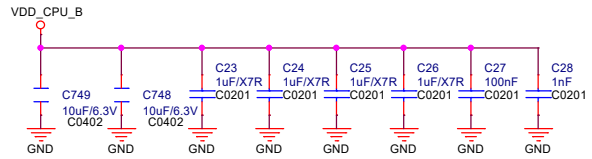
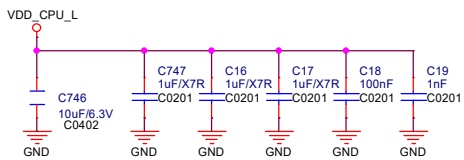
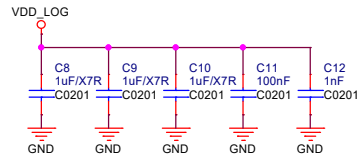
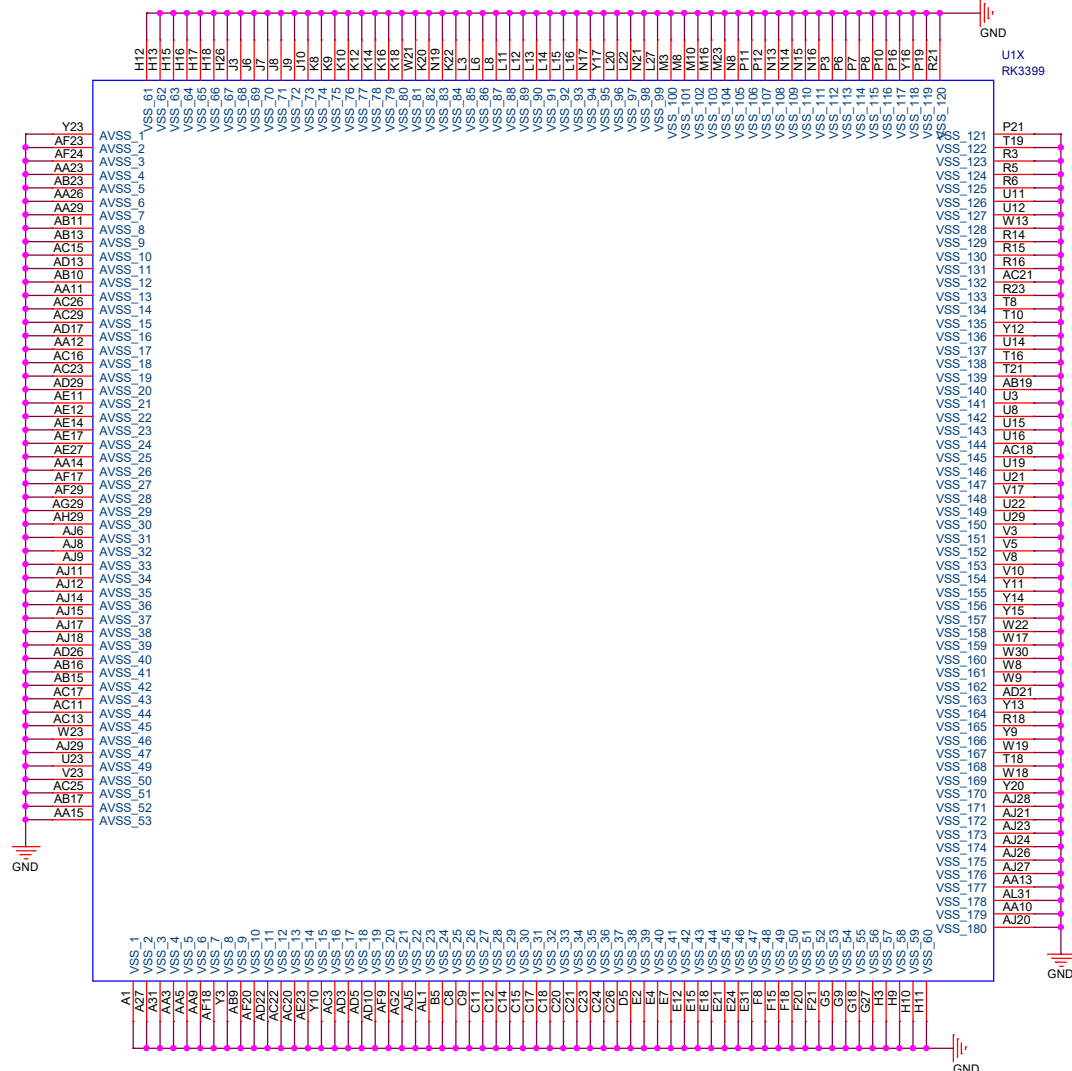
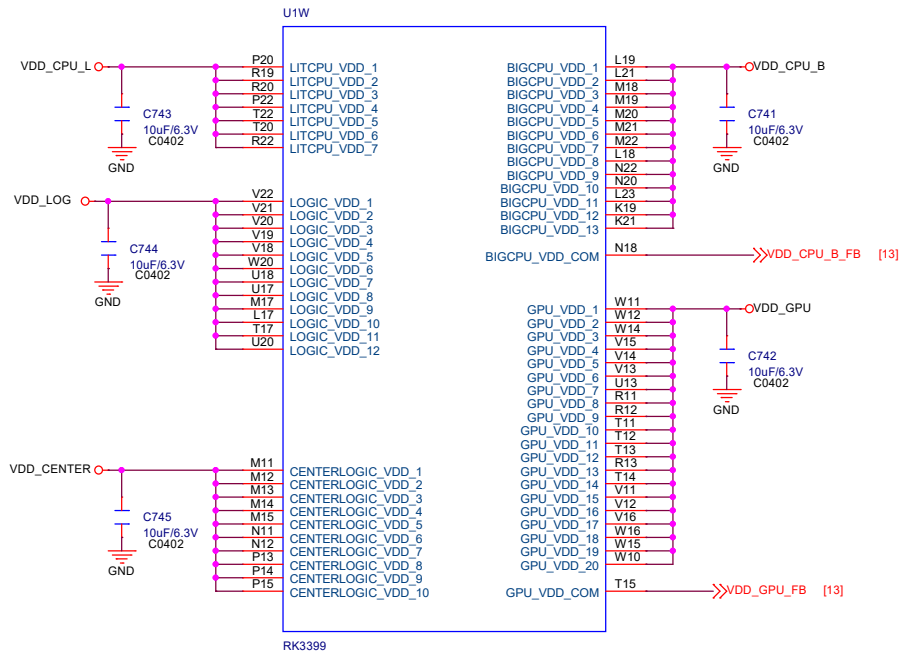
# SOM-RK3399v2

Revision 1910

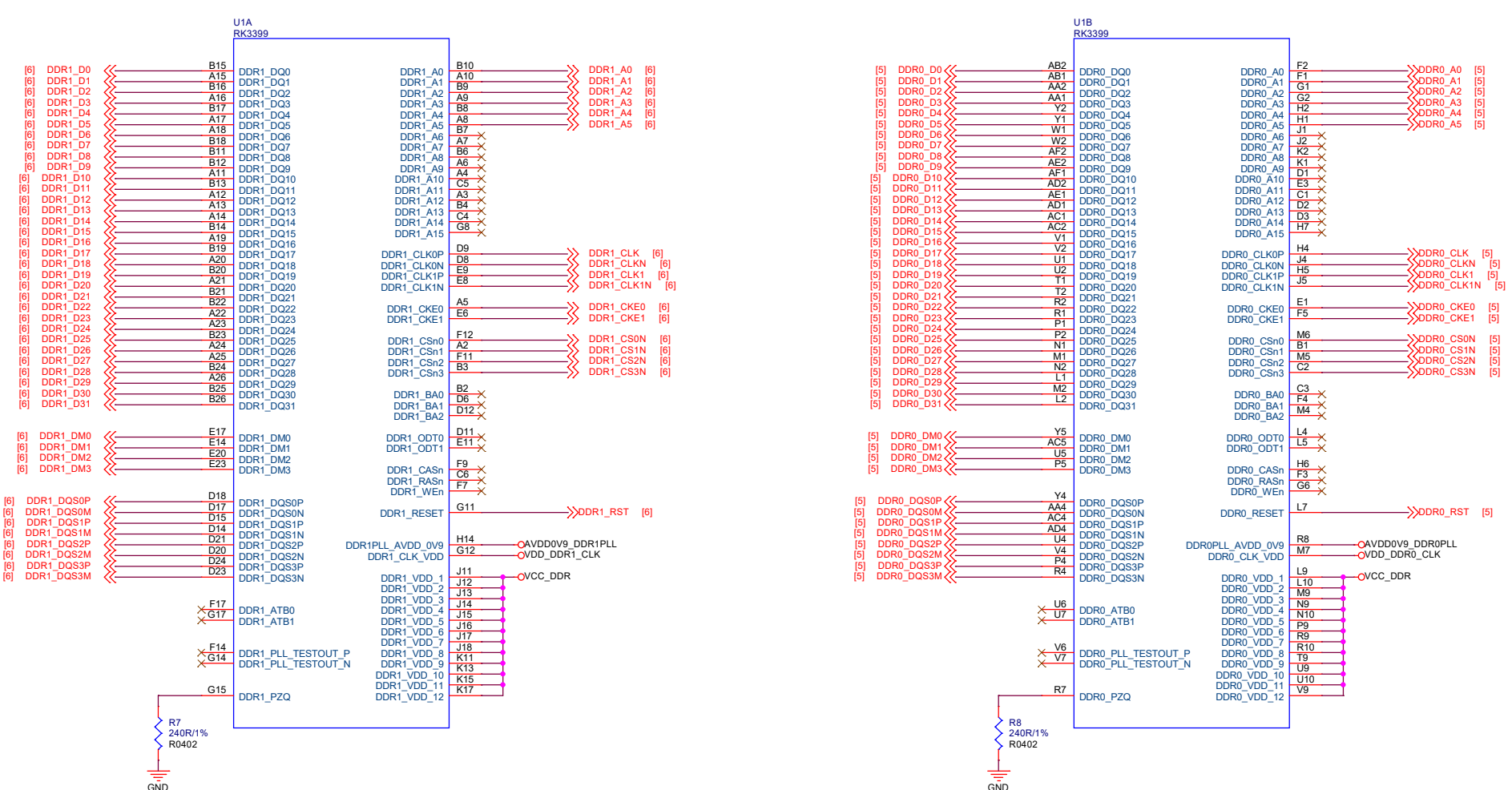
I2C device list :  
I2C0 (3V), SYR838PKC, SYR837, RK808-D  
I2C1 (1.8V) CSI0, ALC5651,  
I2C2 (1.8V) CSI1, M.2  
I2C3 (3V)  
I2C4 (1.8V), Type-C FUSB302MPX  
I2C5  
I2C6  
I2C7 (1.8V) HDMI  
I2C8



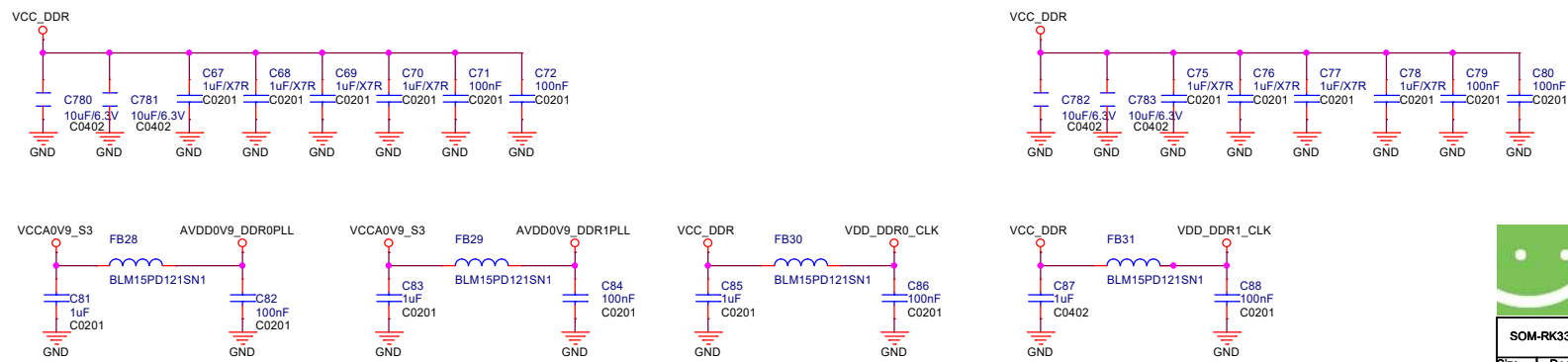
SOM-RK3399v2		
Size	Document Number	Rev
A3	01.Title	1910
Date:	Sunday, April 26, 2020	Sheet 1 of 21

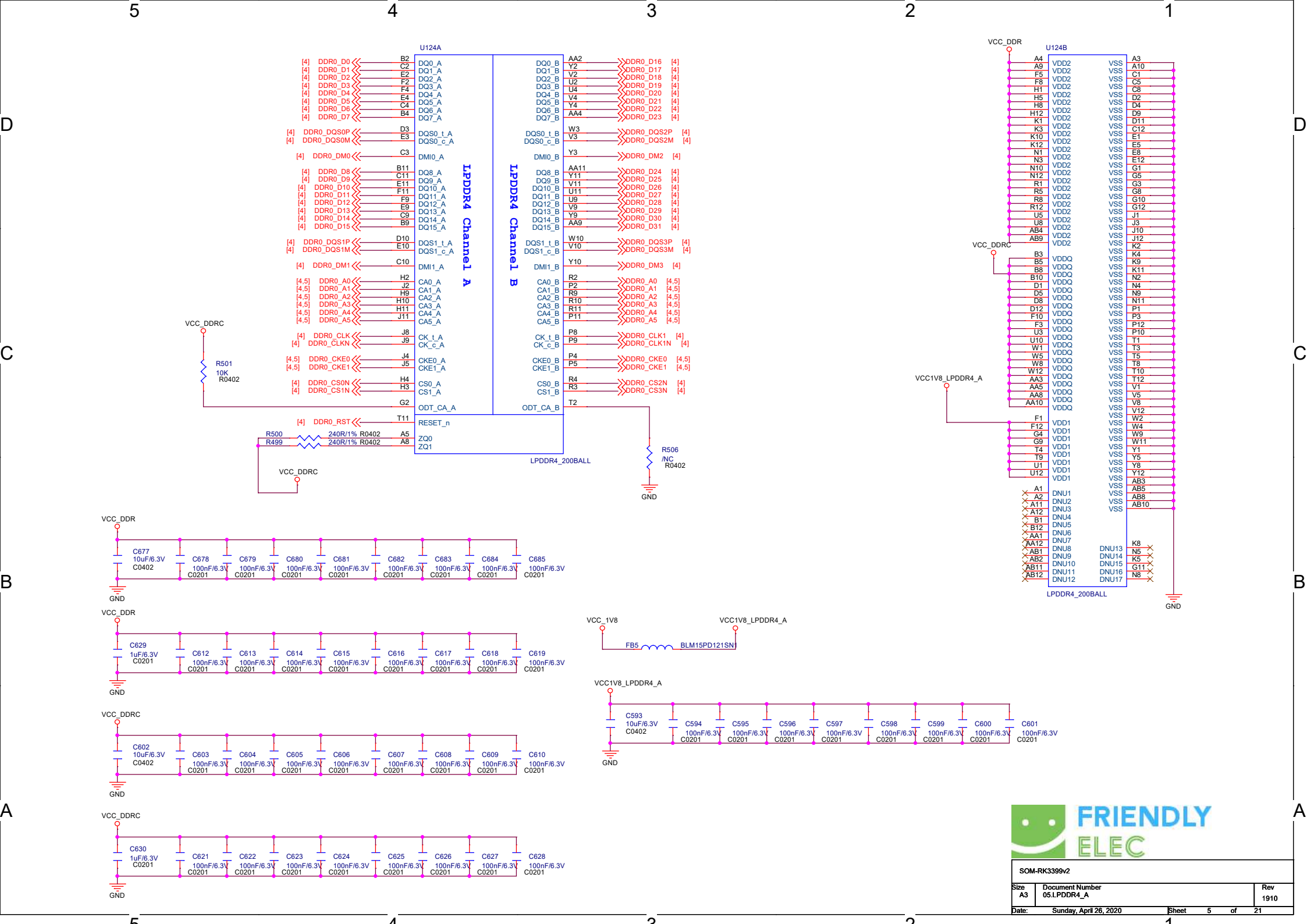


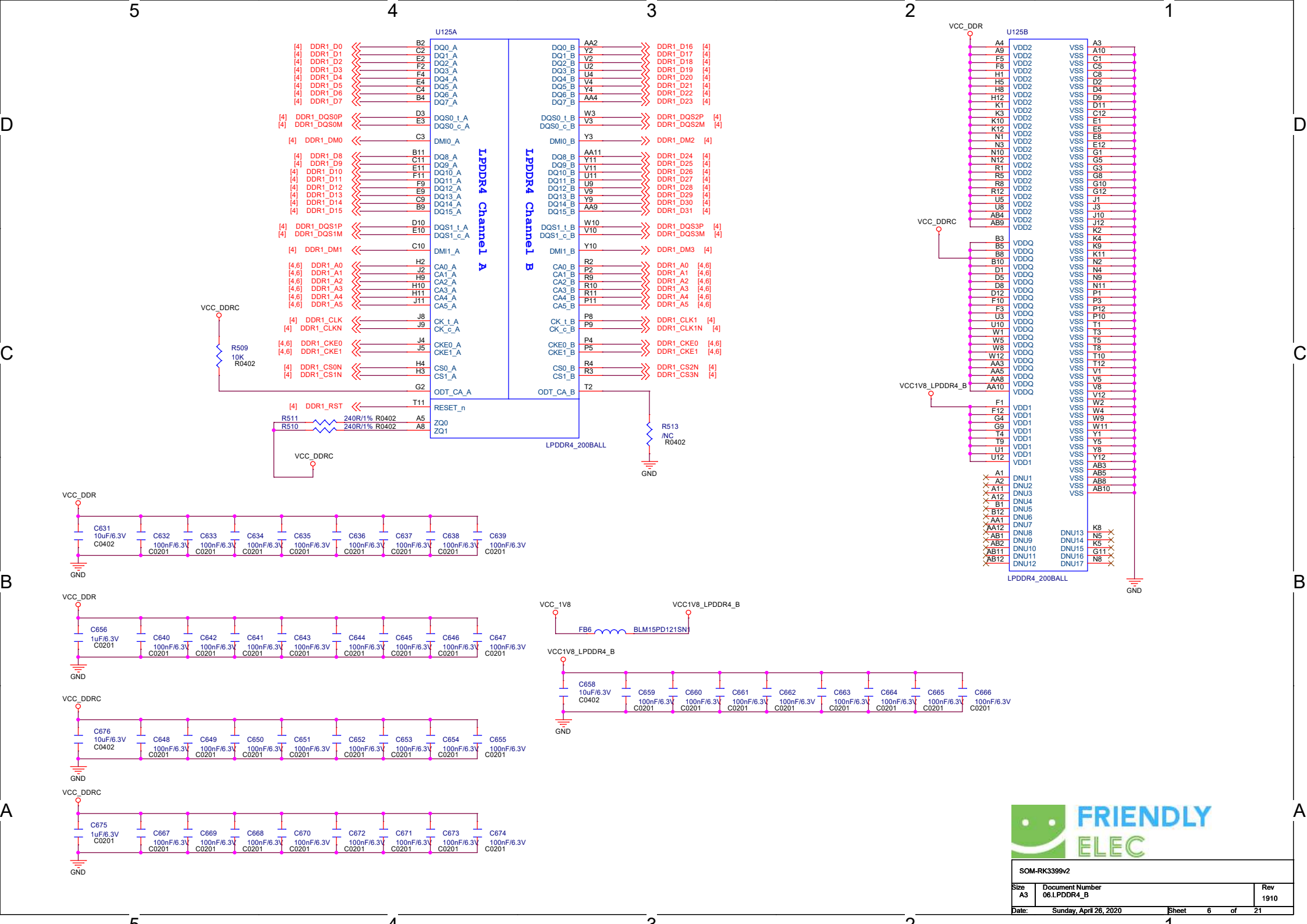


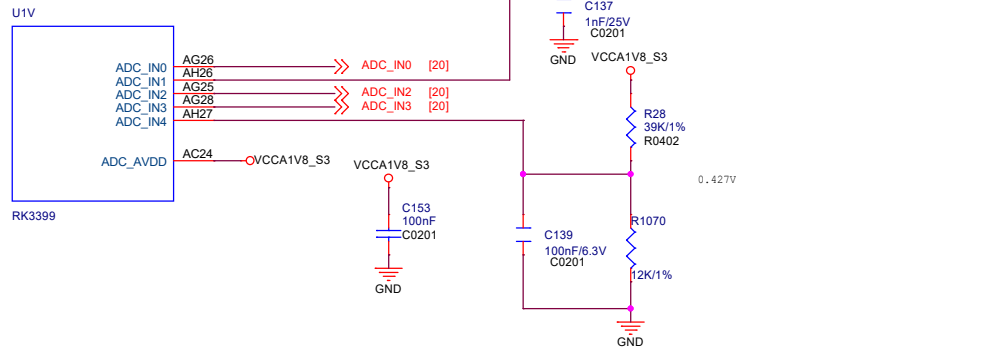
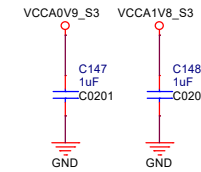
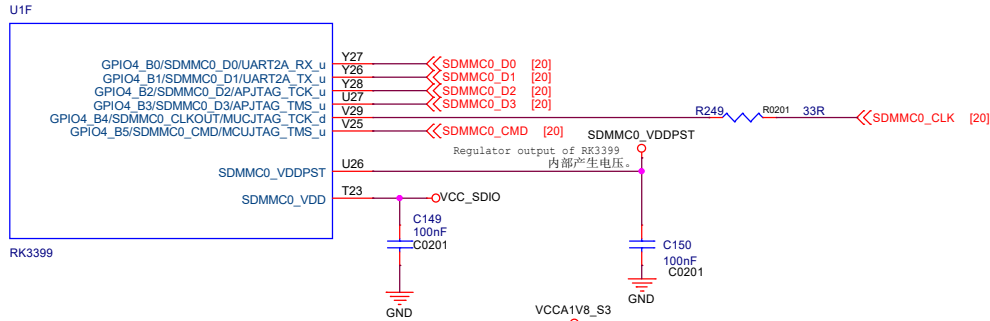
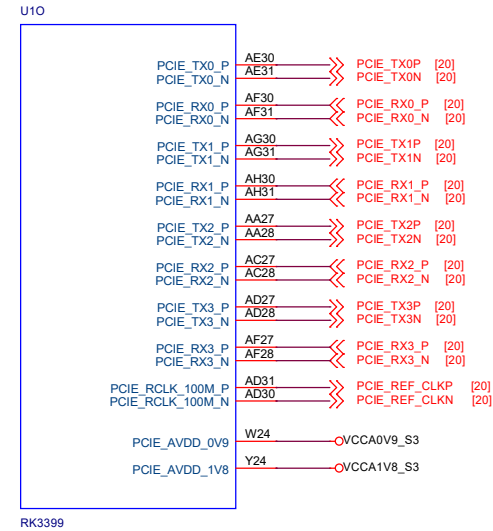
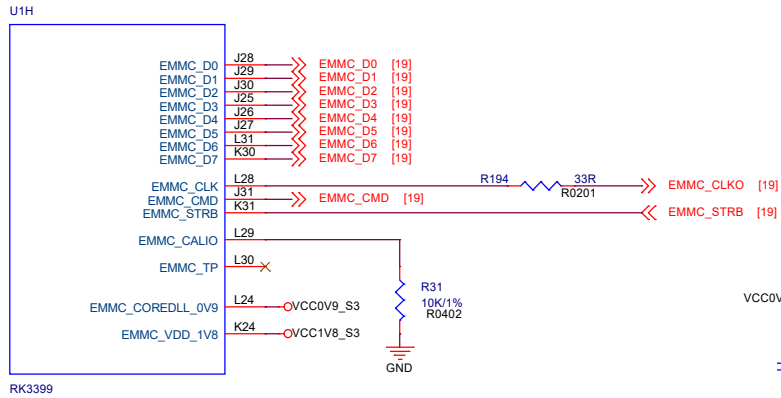


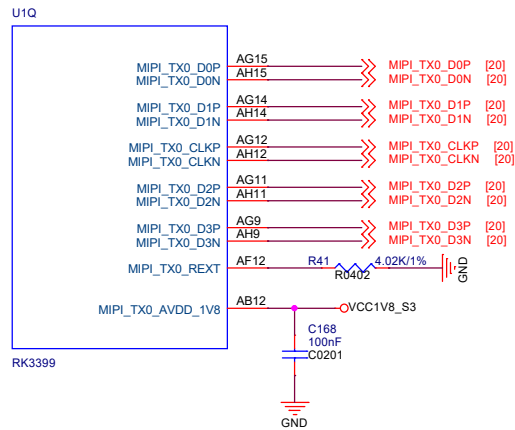
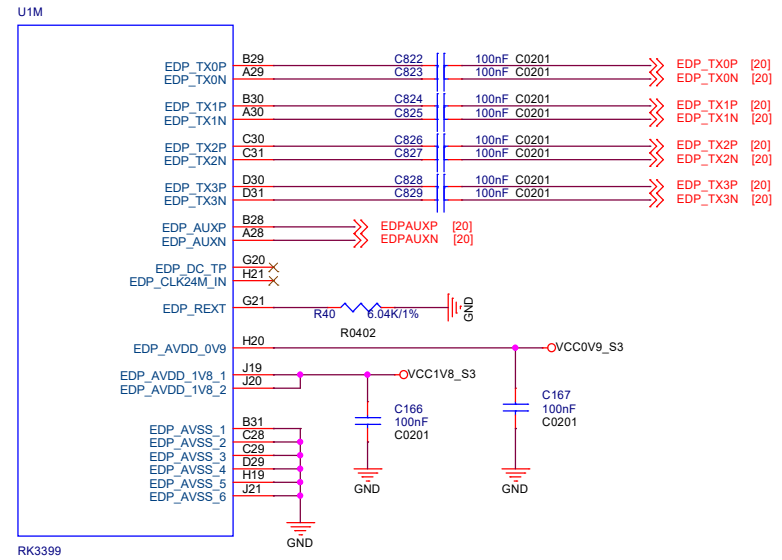
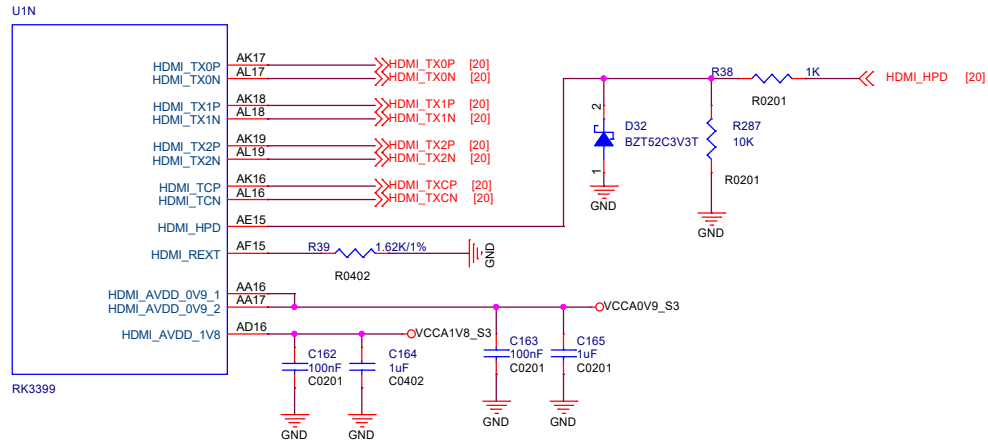
DDR FILTER





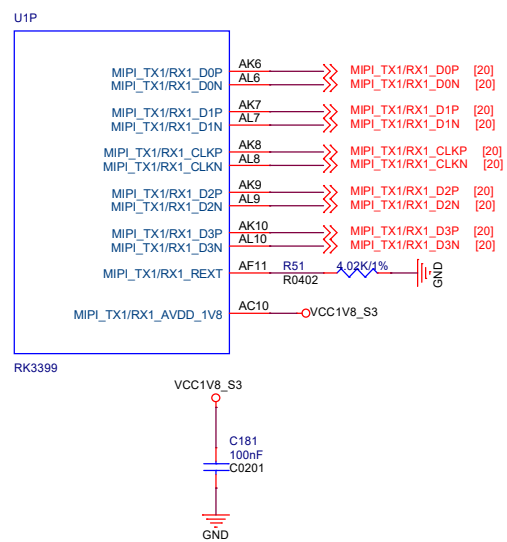
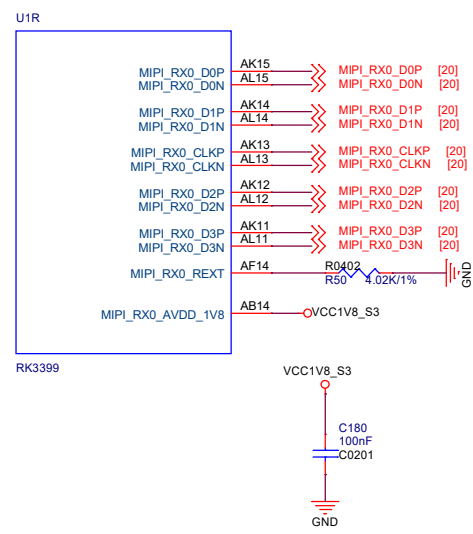
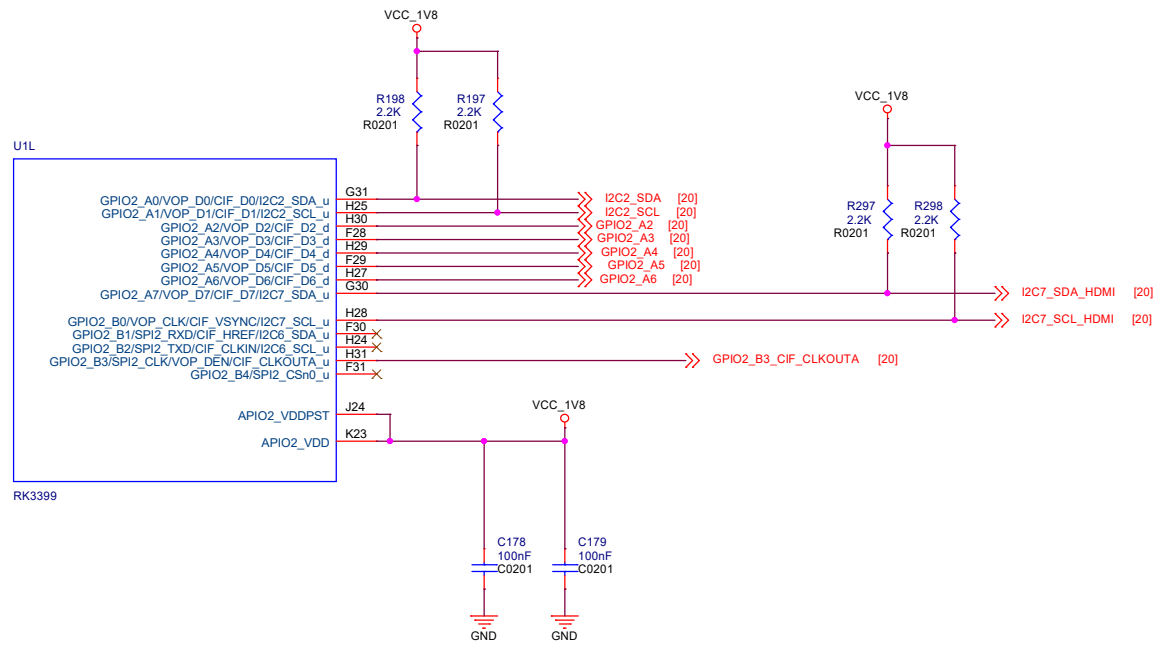


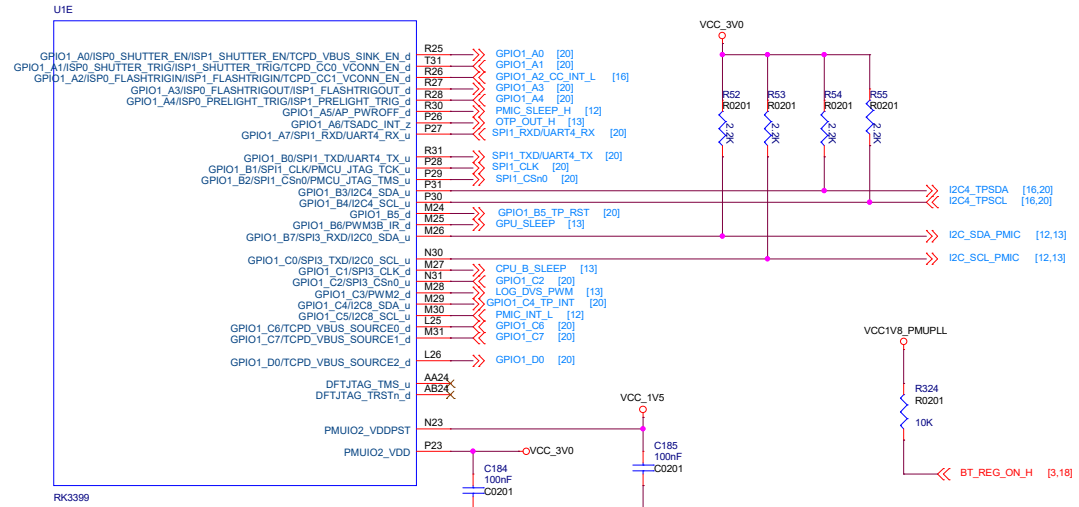
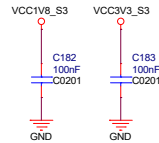
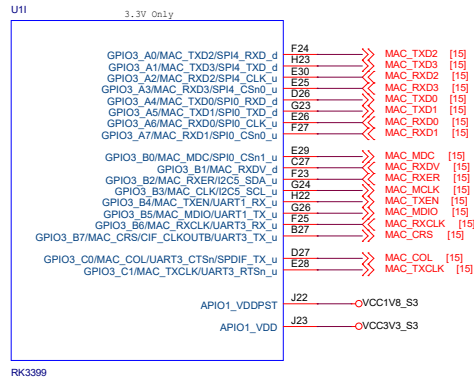




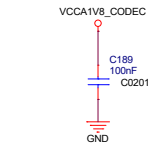
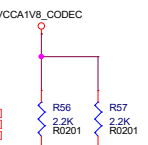
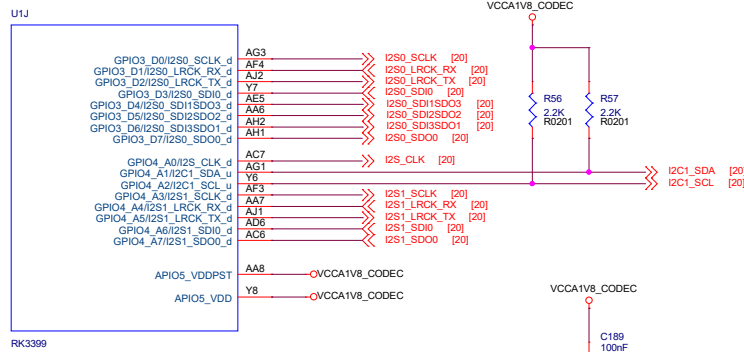
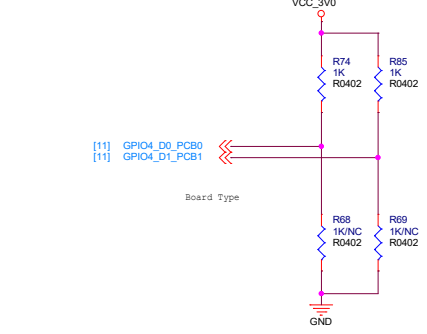
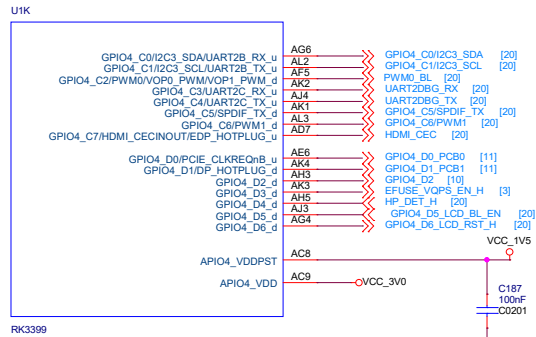
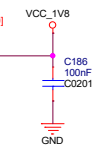
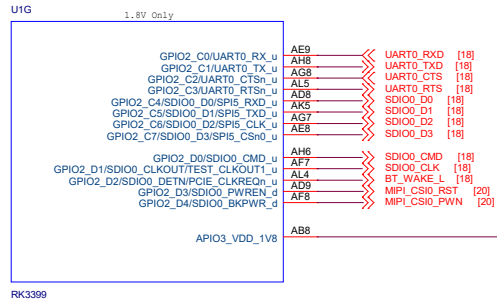




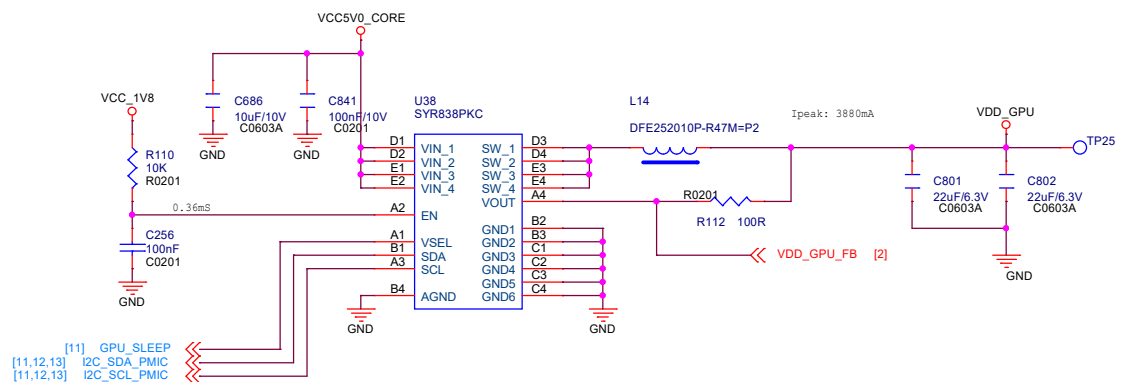




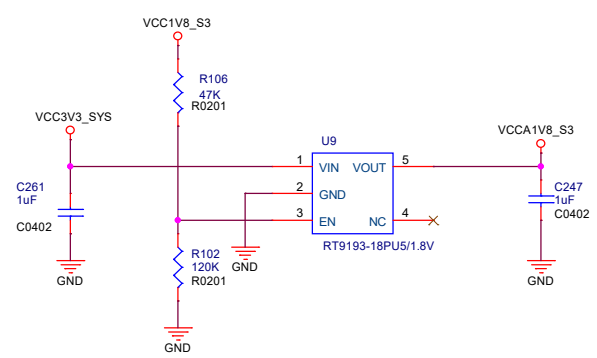
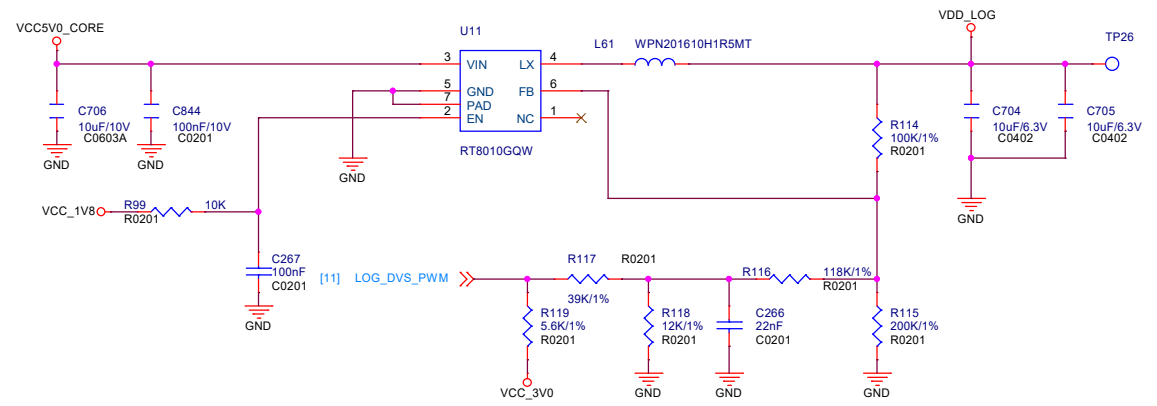
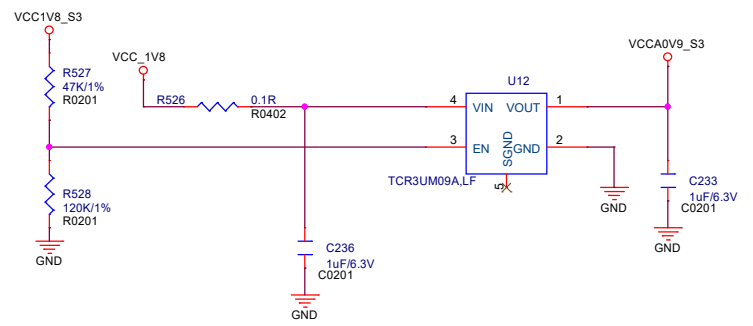
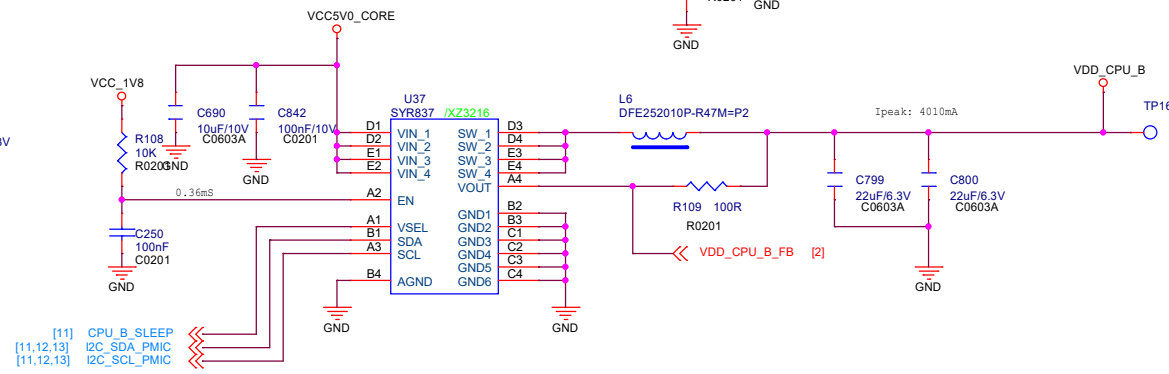
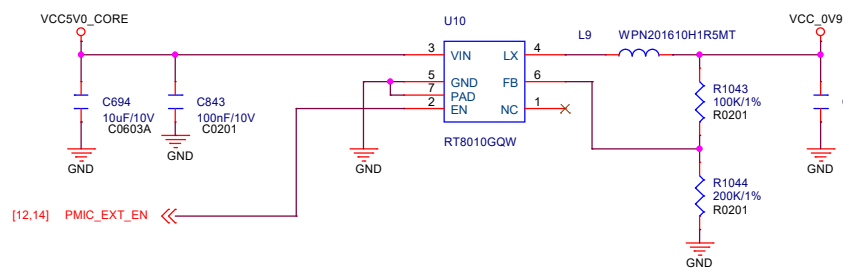
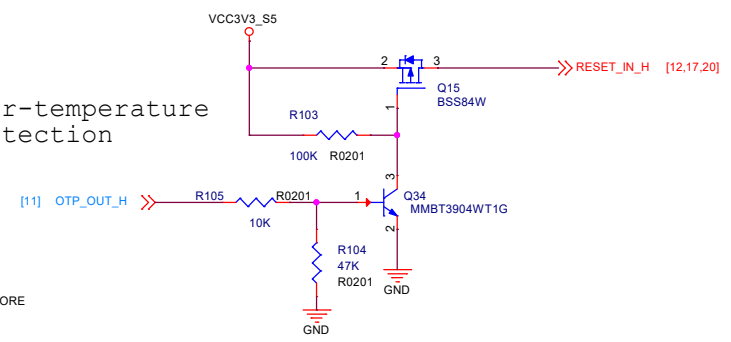
1.8V Only	VDDPST=VDDIO=1.8V
3.3V Only	VDDPST=1.8V, VDDIO=3.3V
other	3.0V mode: VDDPST=1.5V, VDDIO=3.0V 1.8V mode: VDDPST=1.8V, VDDIO=1.8V







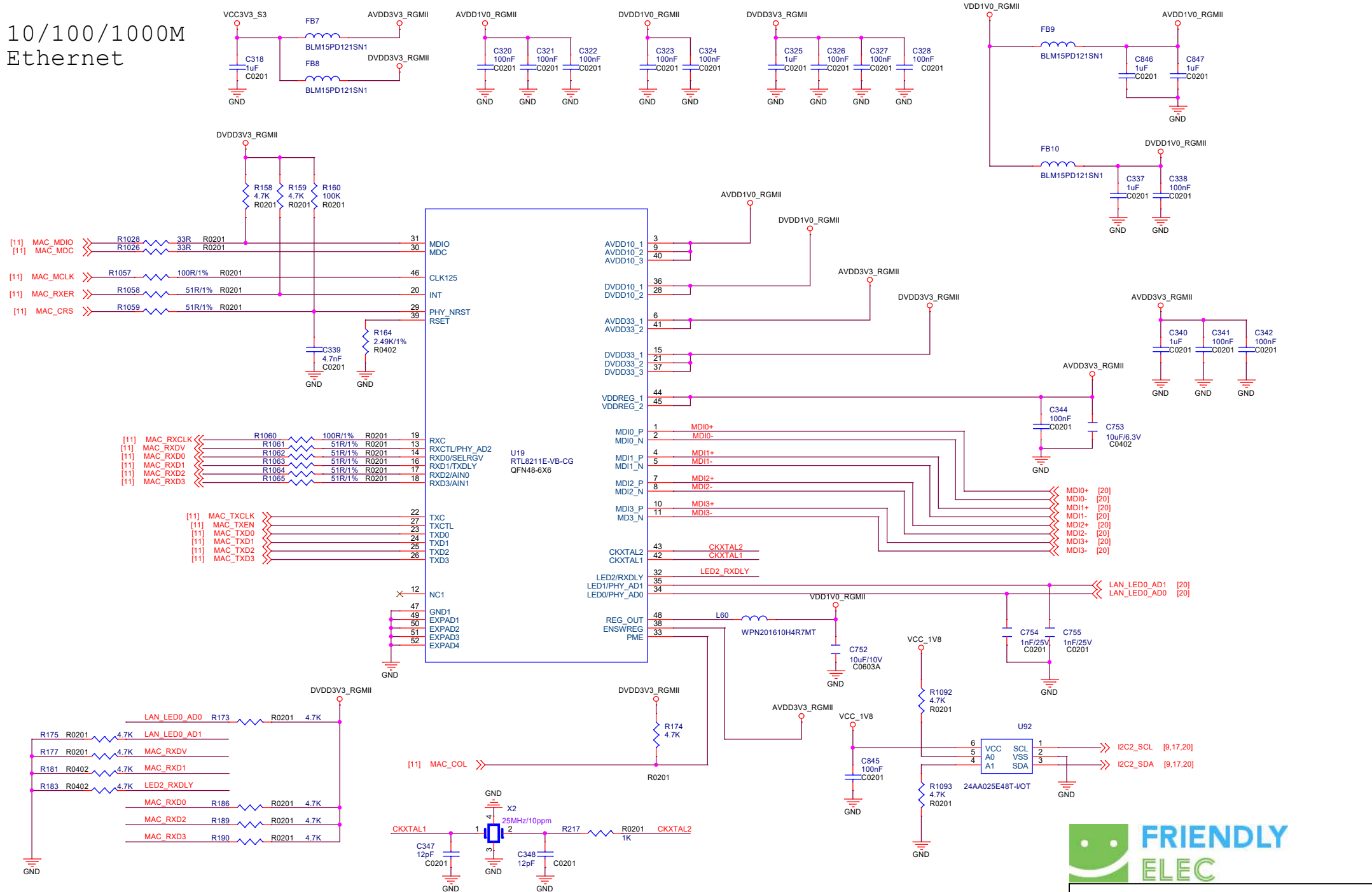
### Over-temperature Protection



SOM-RK3399v2		
Size A3	Document Number 13.Power2-CPU/GPU/etc	Rev 1910
Date: Sunday, April 26, 2020	Sheet 13 of 21	



# 10/100/1000M Ethernet

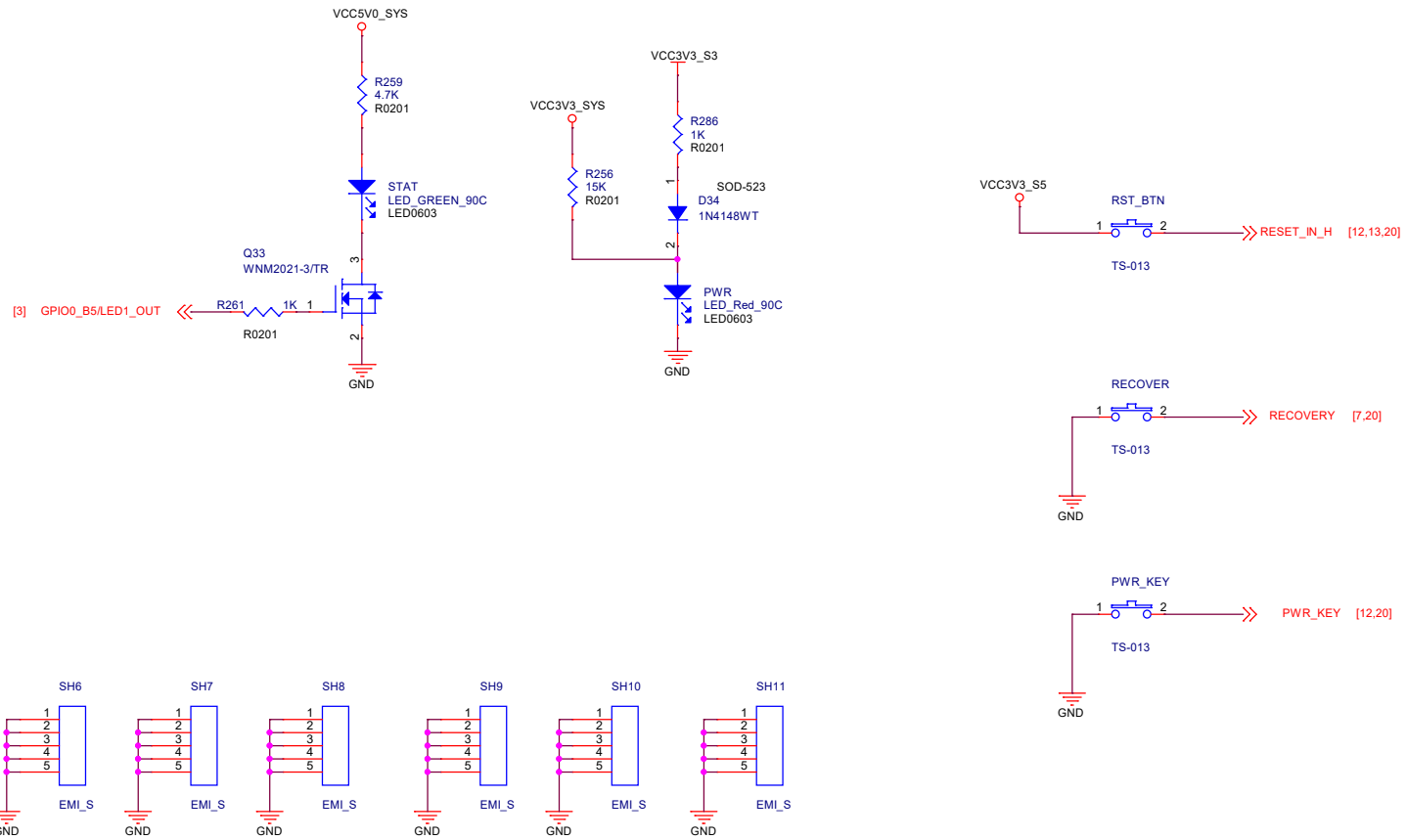


SOM-RK3399v2		
Size A3	Document Number 15.RGMII-10/100/1000M	Rev 1910
Date: Sunday, April 26, 2020	Sheet 15	of 21

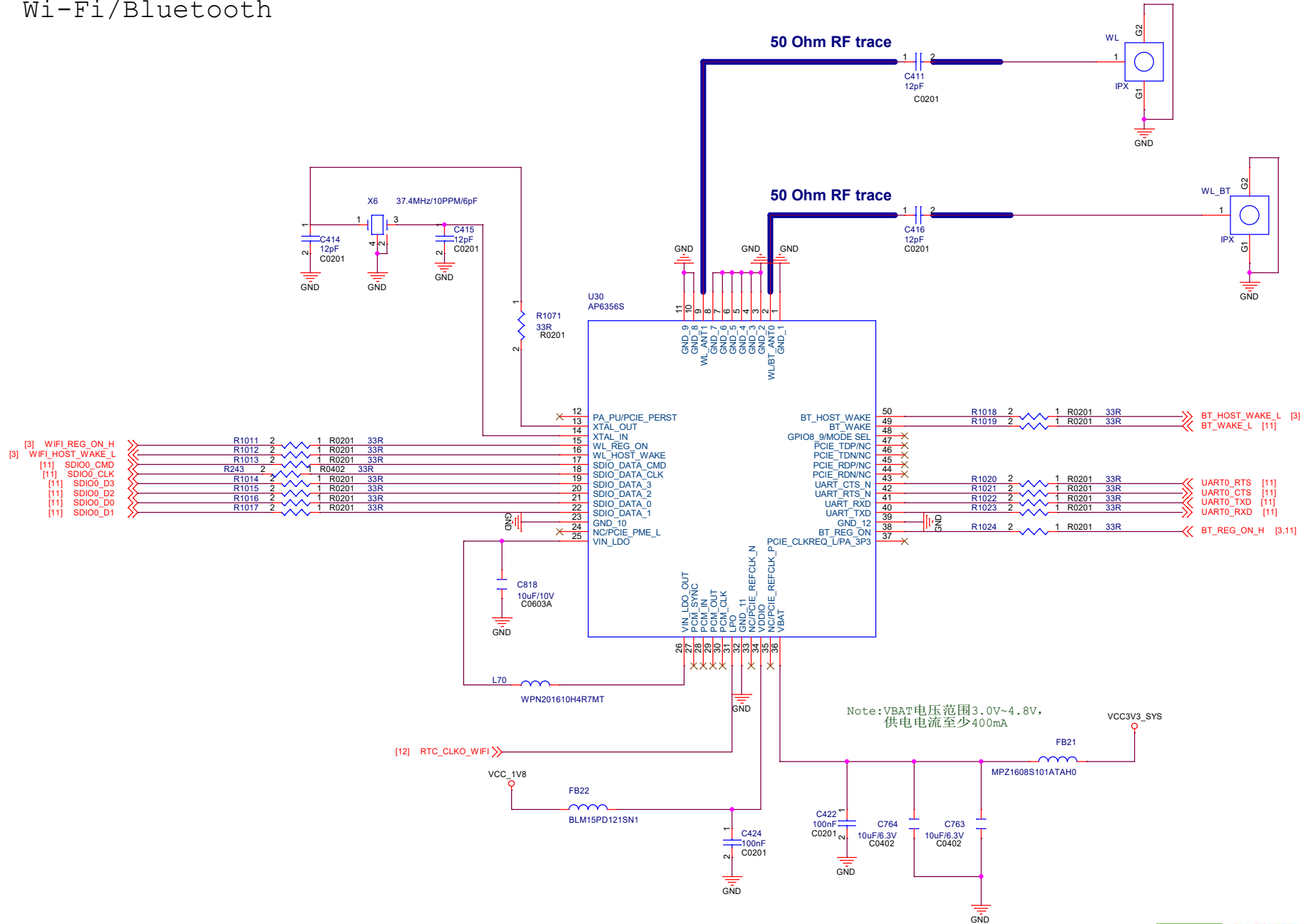




# GPIO



# Wi-Fi/Bluetooth



Note: VBAT电压范围3.0V~4.8V, 供电电流至少400mA



SOM-RK3399v2		
Size	Document Number	Rev
A3	18.Wi-Fi	1910
Date:	Sunday, April 26, 2020	Sheet 18 of 21

