

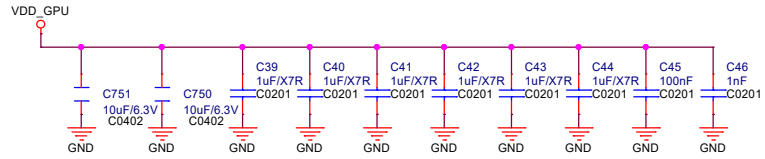
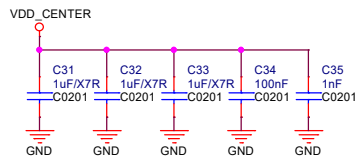
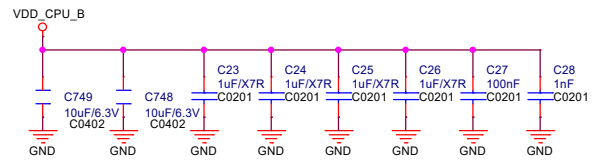
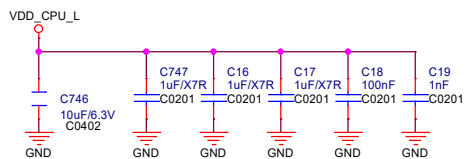
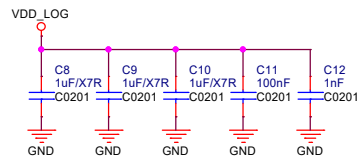
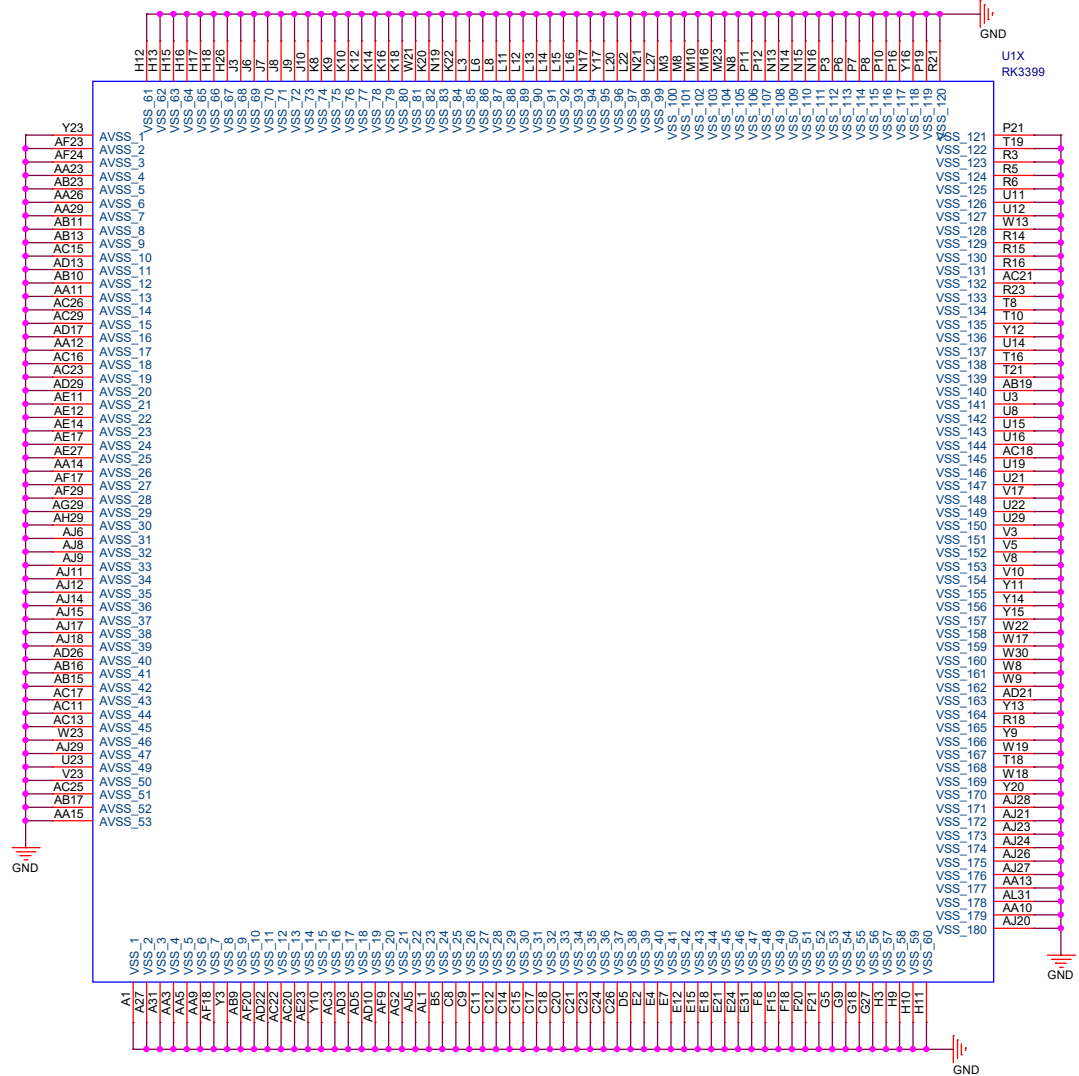
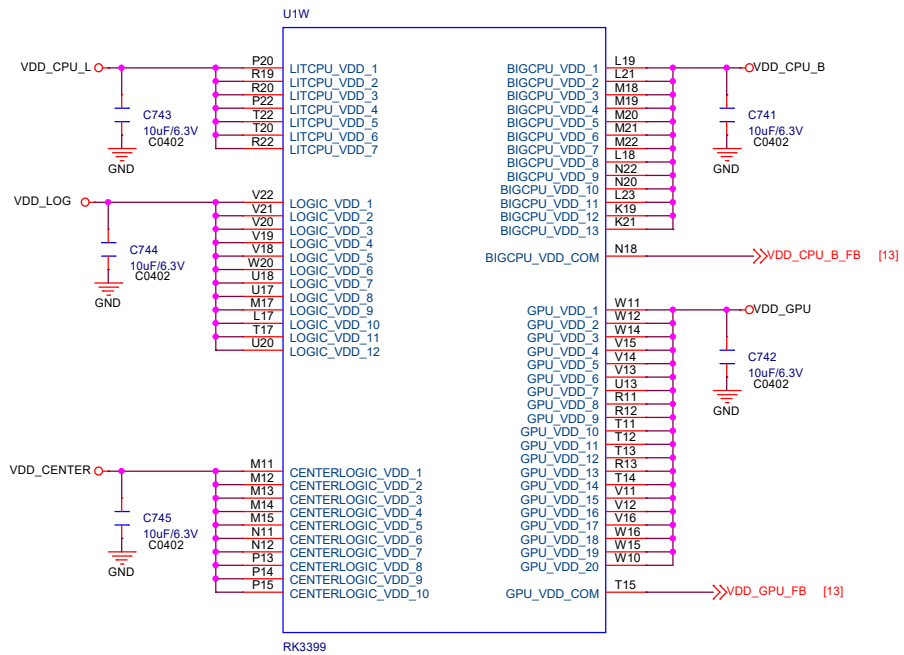
# SOM-RK3399v2

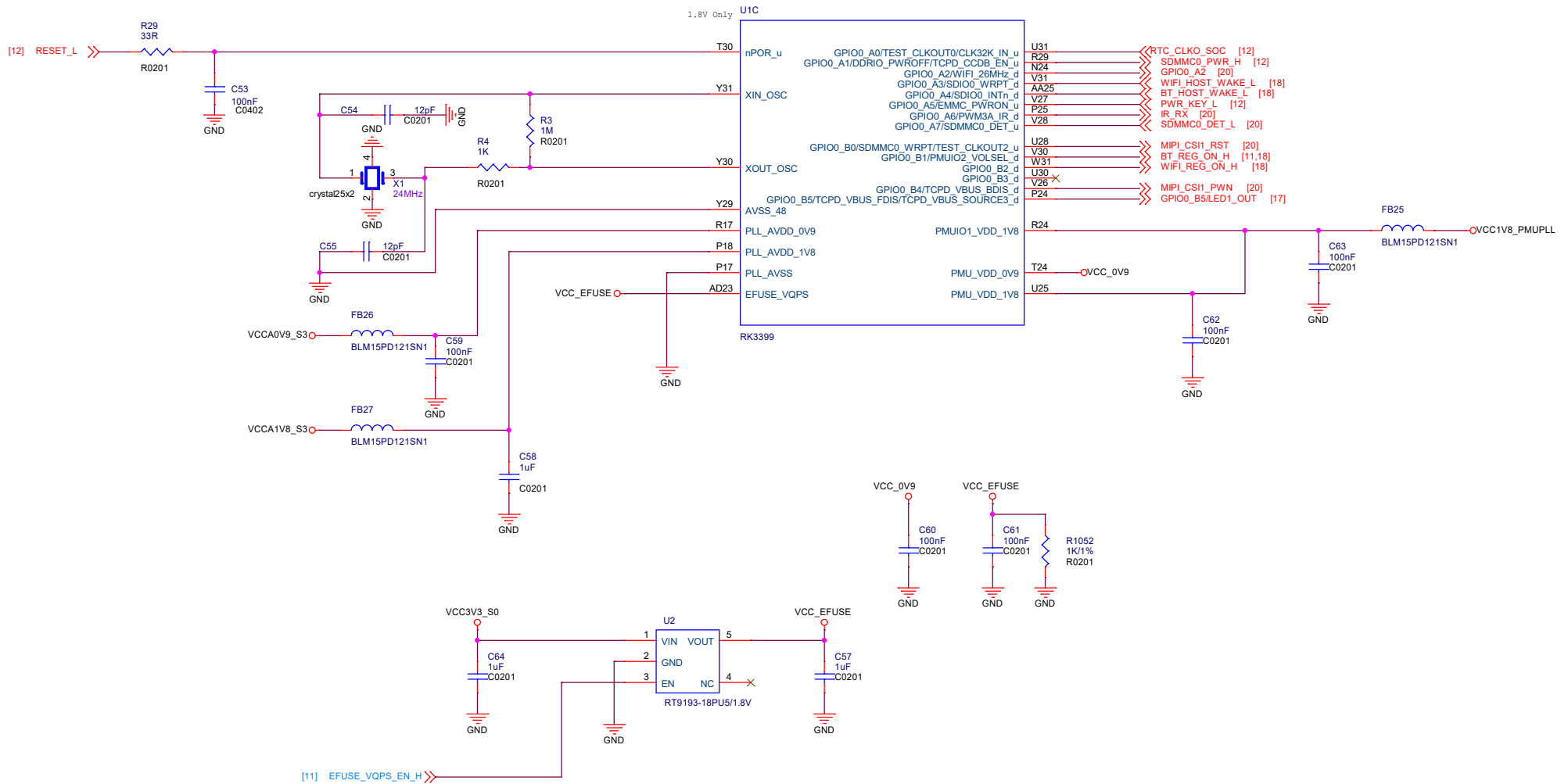
Revision 1910

I2C device list :  
I2C0 (3V), SYR838PKC, SYR837, RK808-D  
I2C1 (1.8V) CSI0, ALC5651,  
I2C2 (1.8V) CSI1, M.2  
I2C3 (3V)  
I2C4 (1.8V), Type-C FUSB302MPX  
I2C5  
I2C6  
I2C7 (1.8V) HDMI  
I2C8

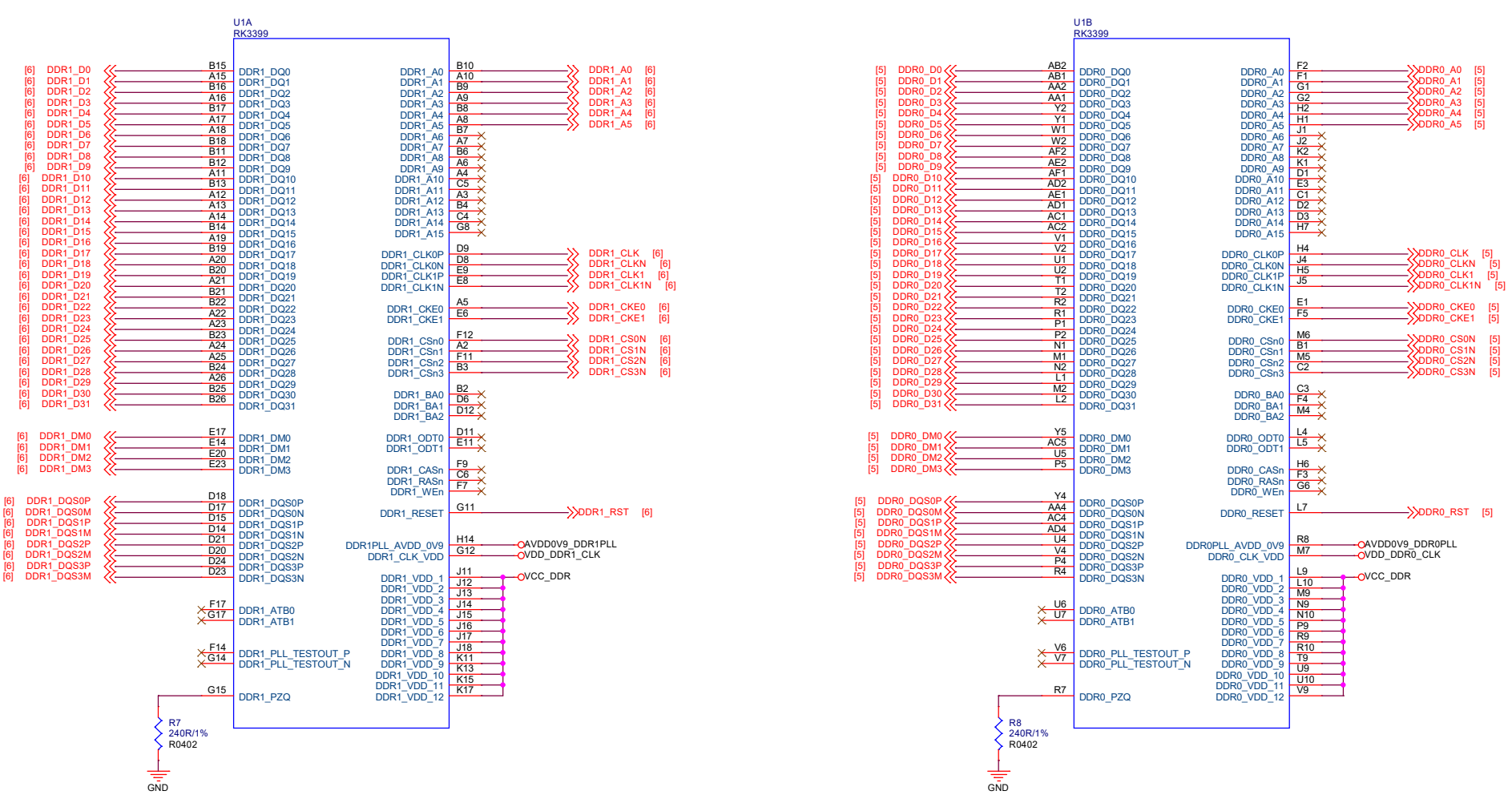


SOM-RK3399v2		
Size A3	Document Number 01.Title	Rev 1910
Date: Thursday, March 19, 2020	Sheet 1	of 20

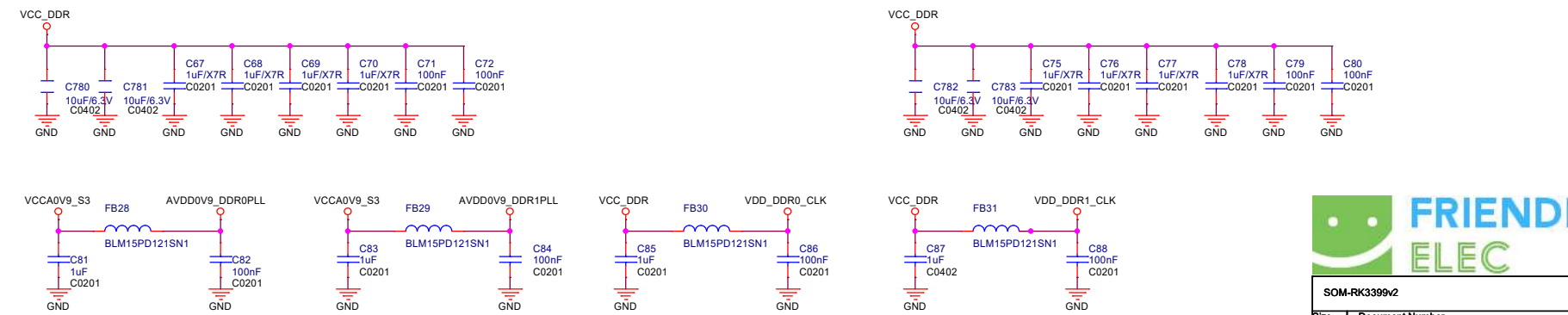


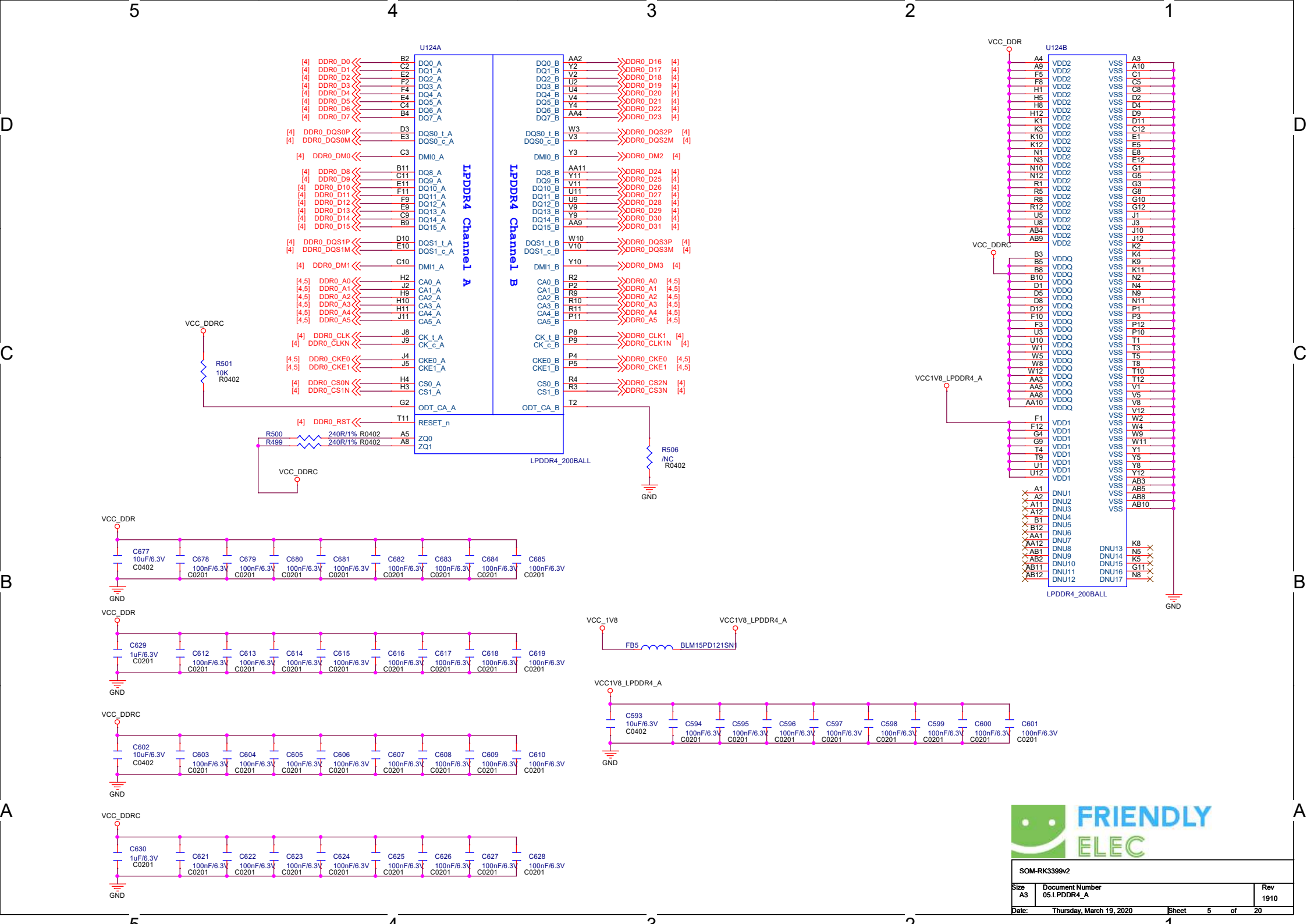


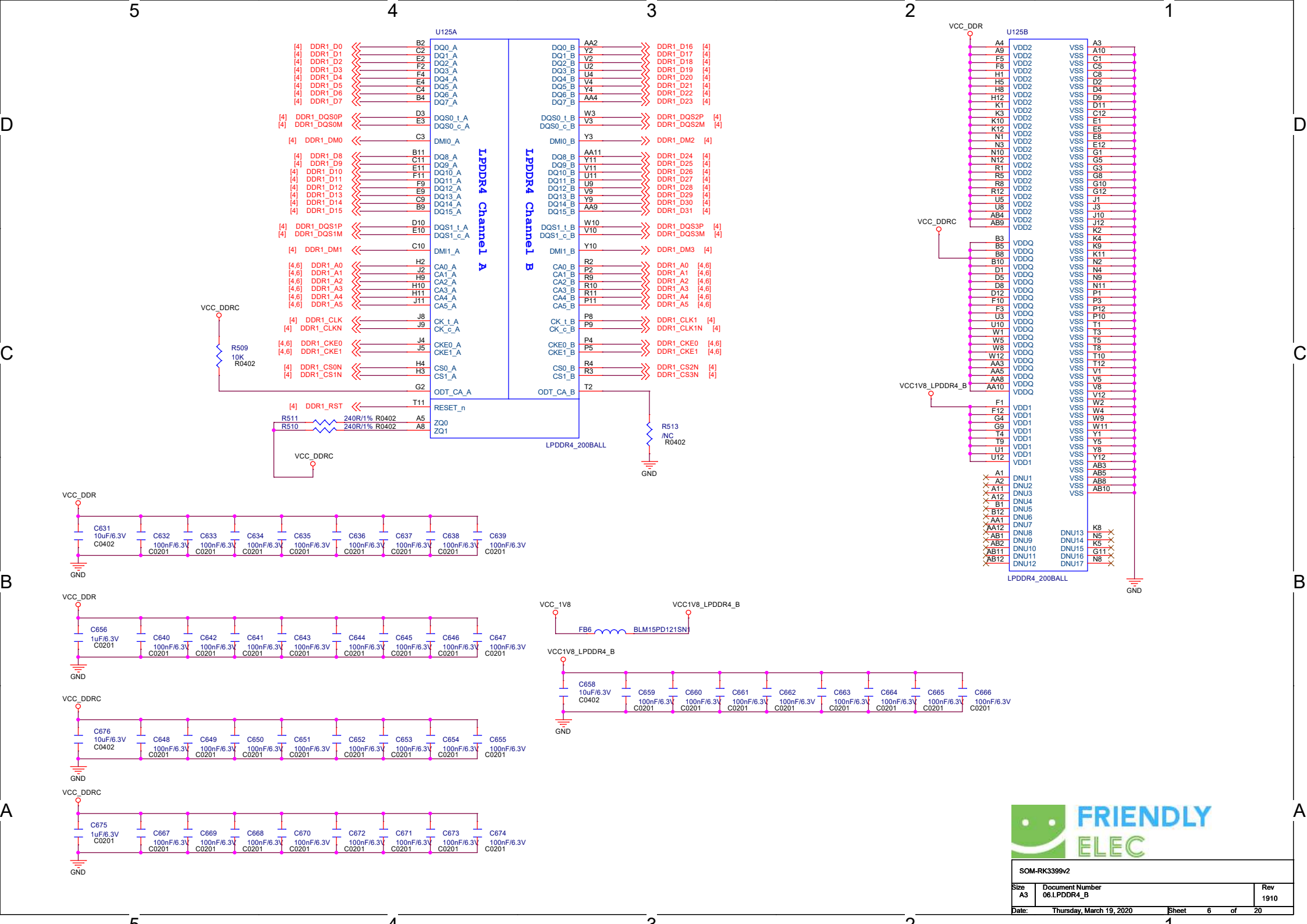
SOM-RK3399v2		
Size A3	Document Number 03.RK3399 PMU Controller	Rev 1910
Date: Thursday, March 19, 2020	Sheet 3	of 20

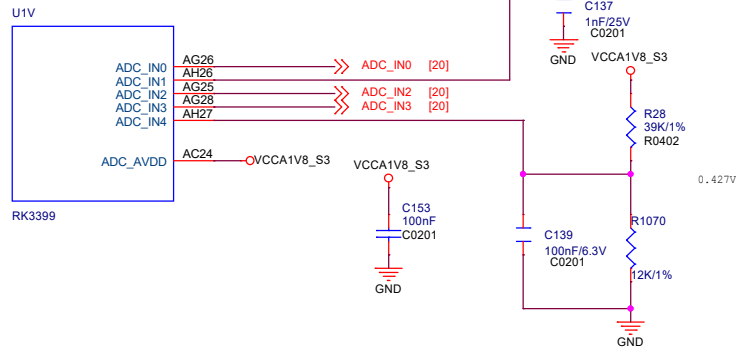
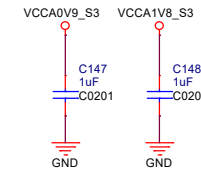
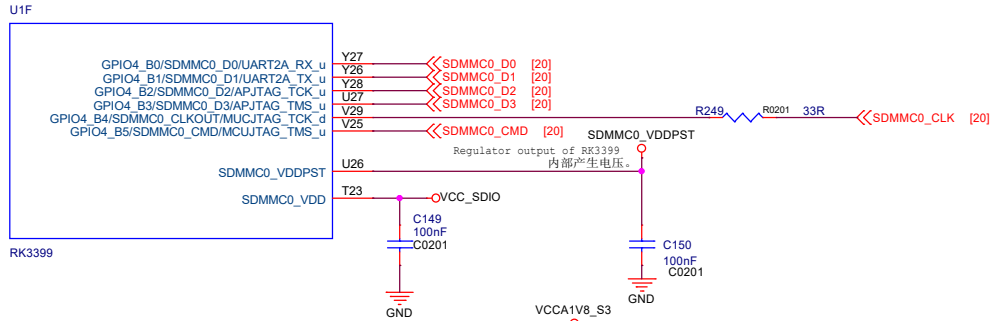
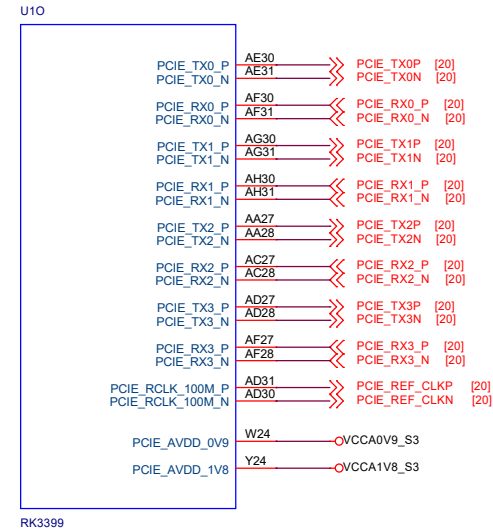
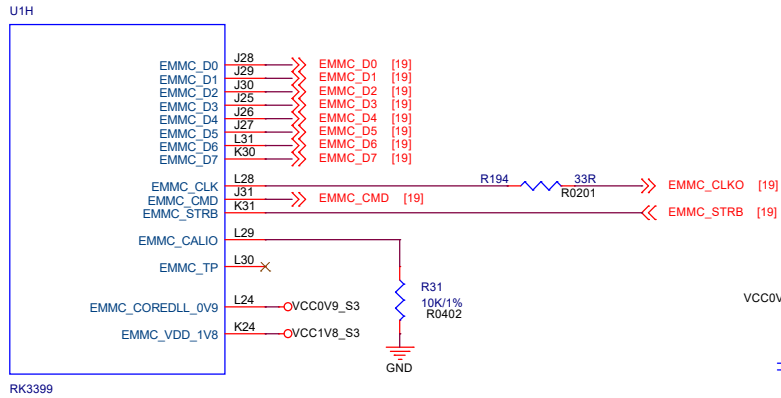


DDR FILTER



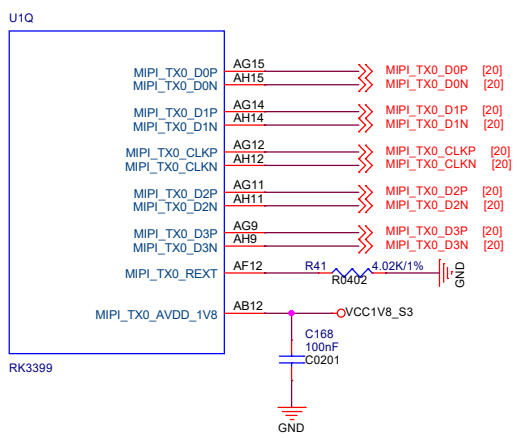
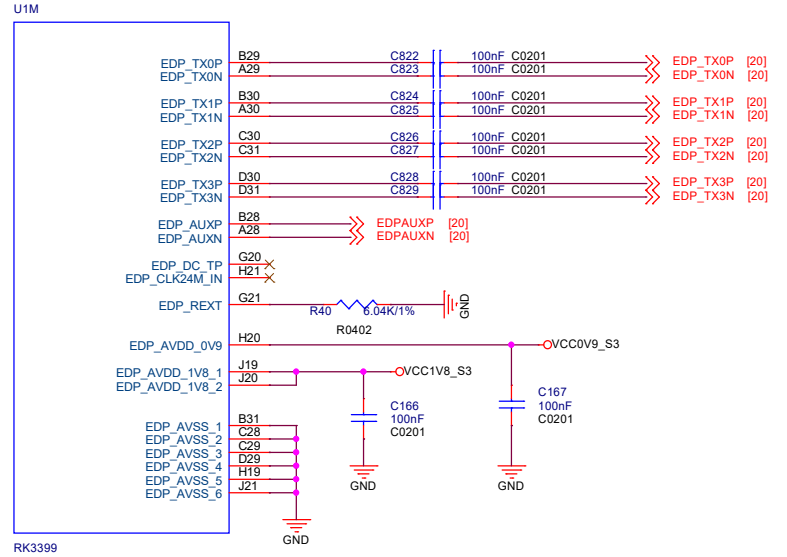
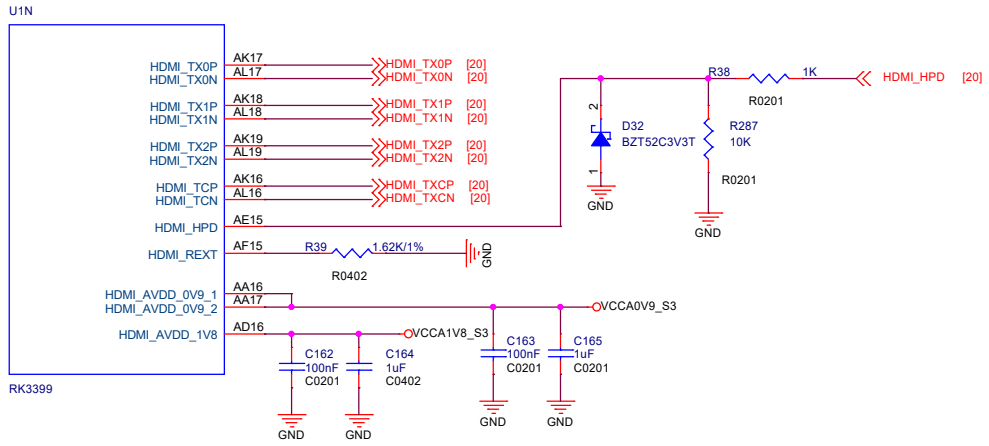




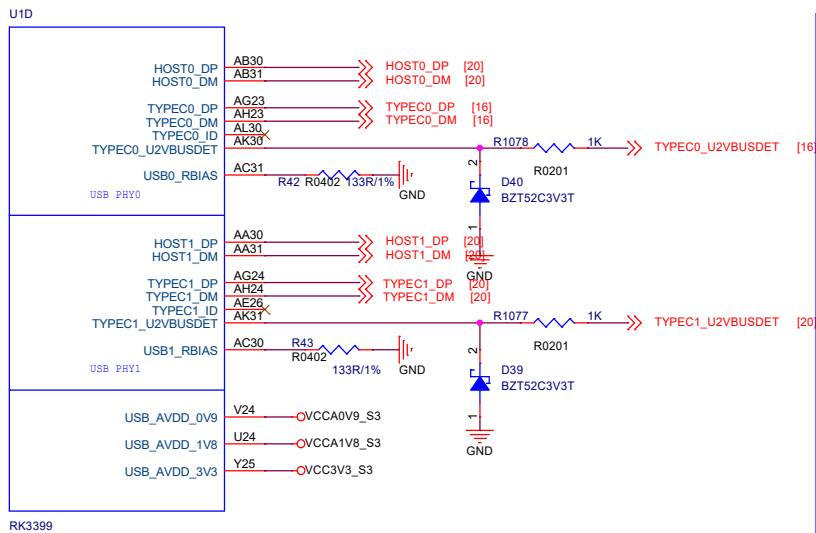


0.427V

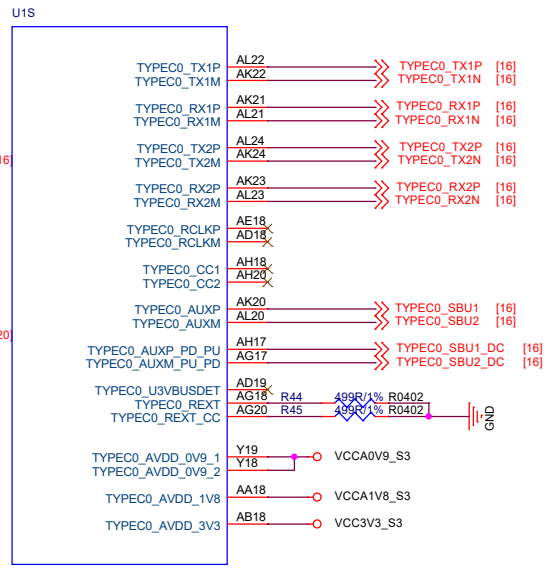
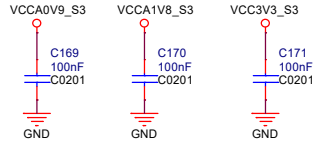




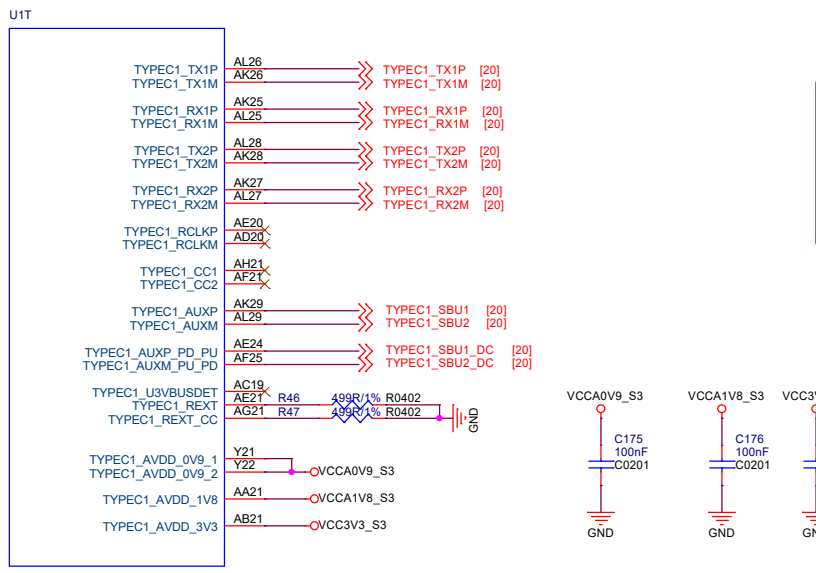
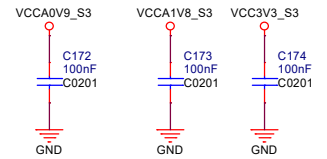




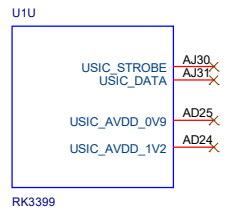
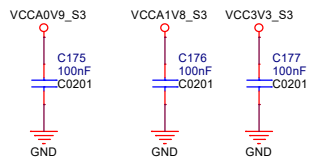
RK3399



RK3399

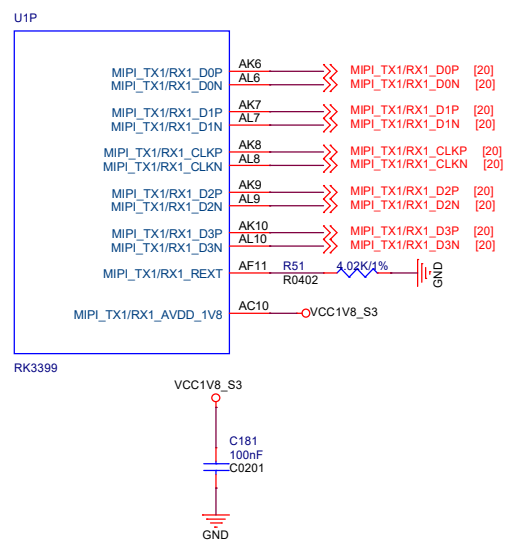
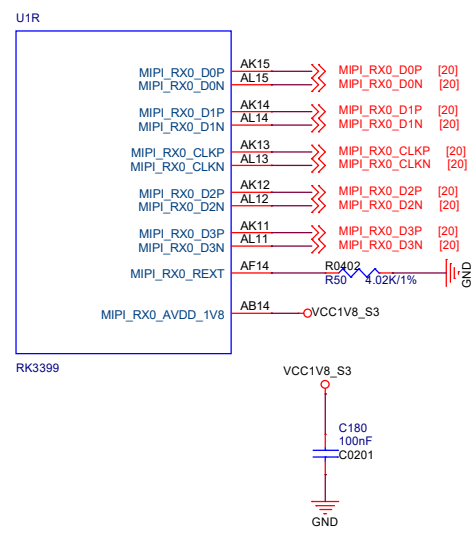
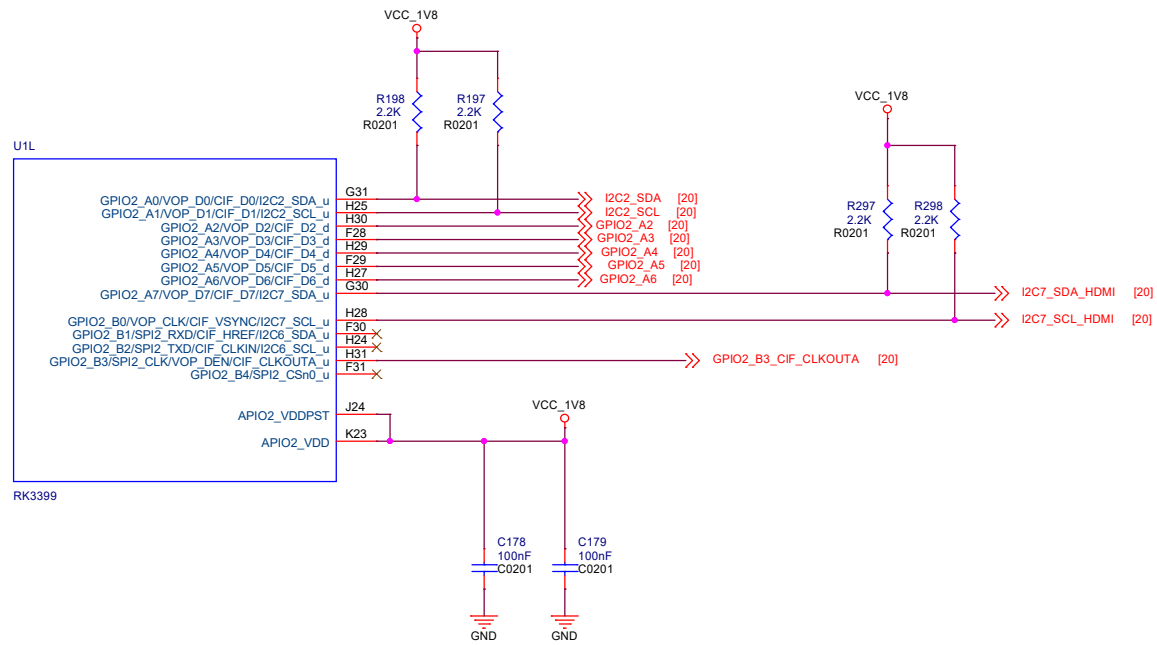


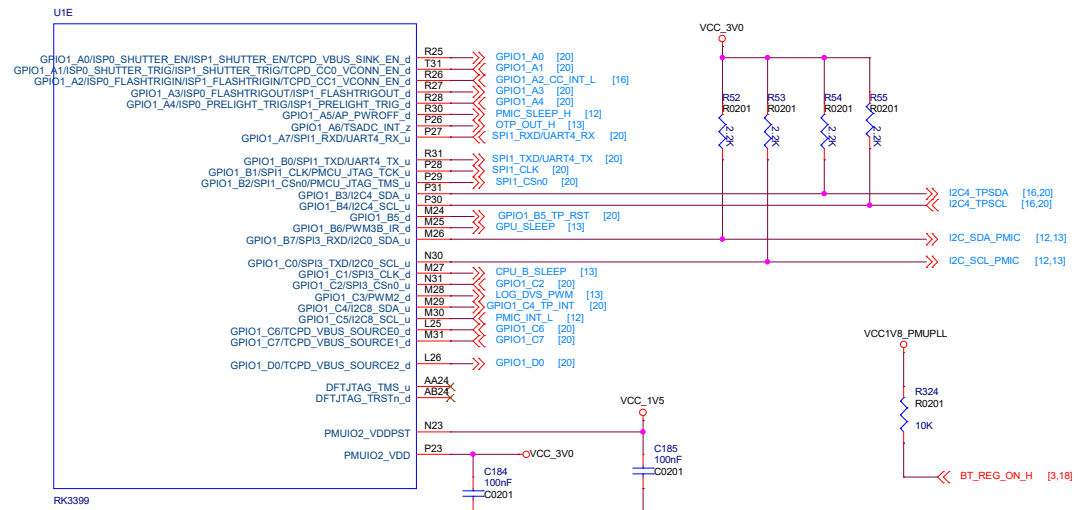
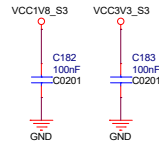
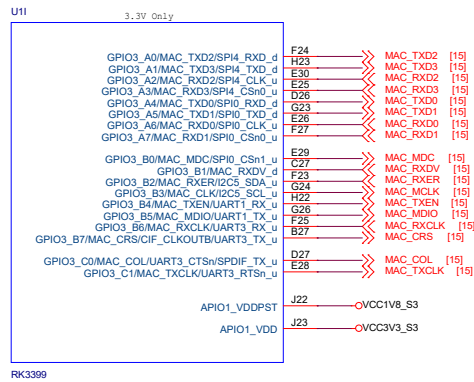
RK3399



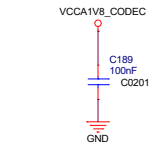
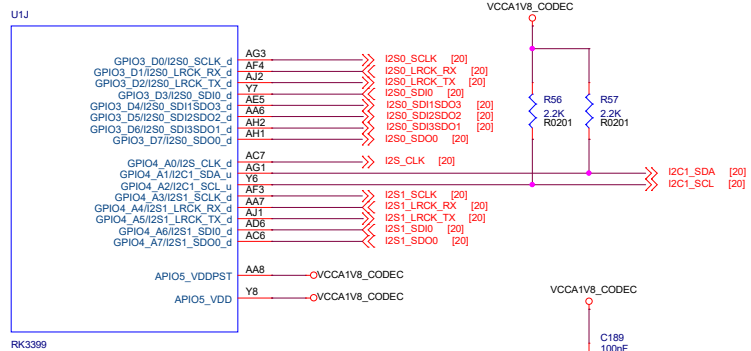
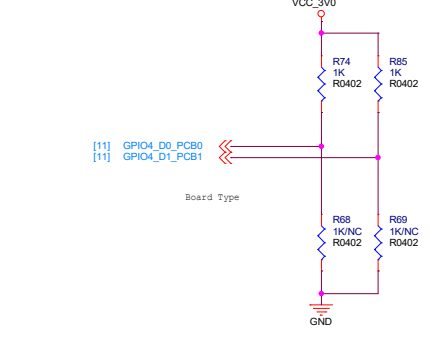
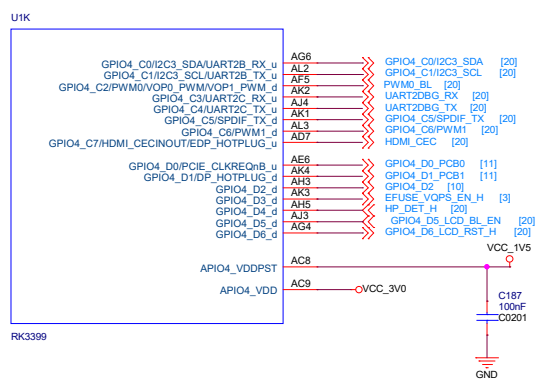
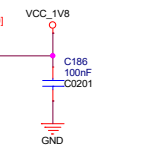
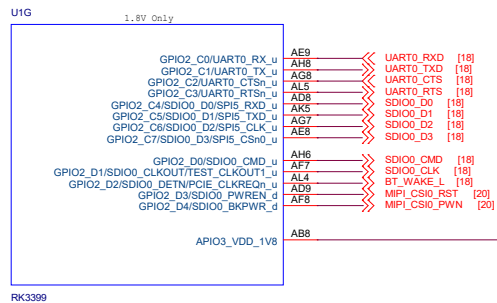
RK3399



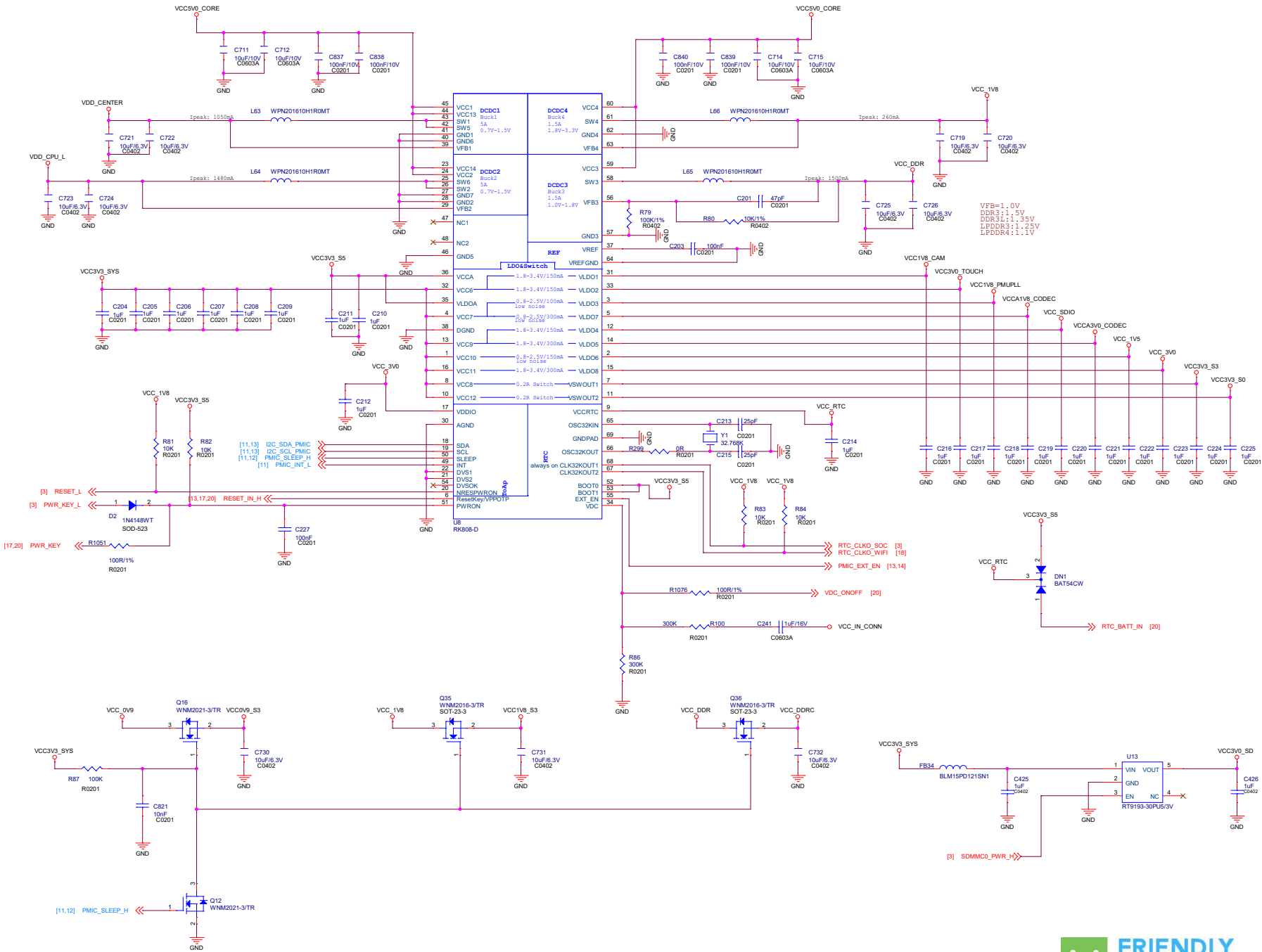




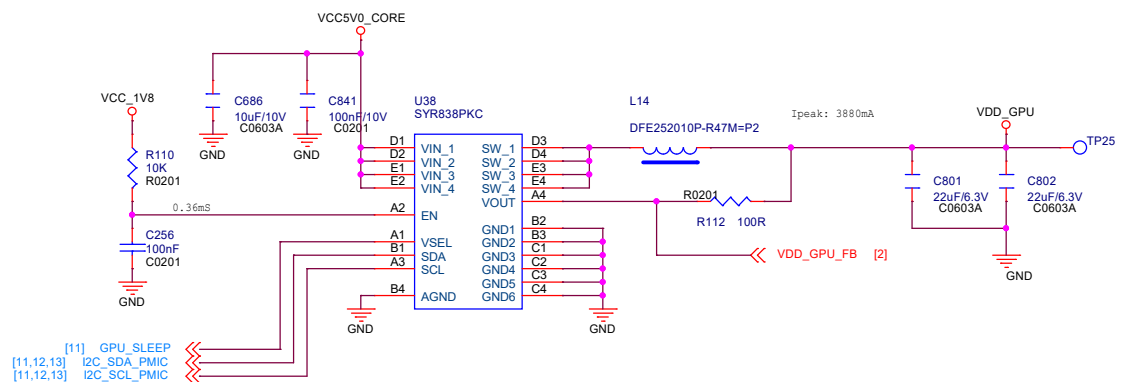
1.8V Only	VDDPST=VDDIO=1.8V
3.3V Only	VDDPST=1.8V, VDDIO=3.3V
other	3.0V mode: VDDPST=1.5V, VDDIO=3.0V 1.8V mode: VDDPST=1.8V, VDDIO=1.8V



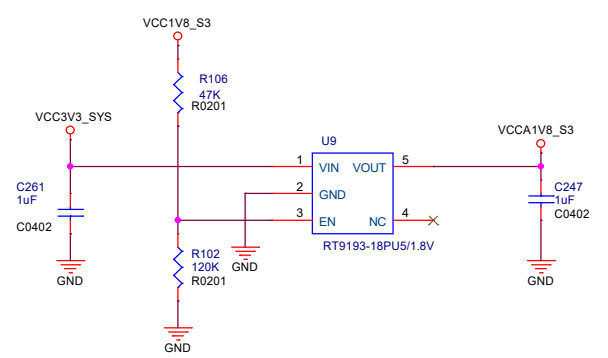
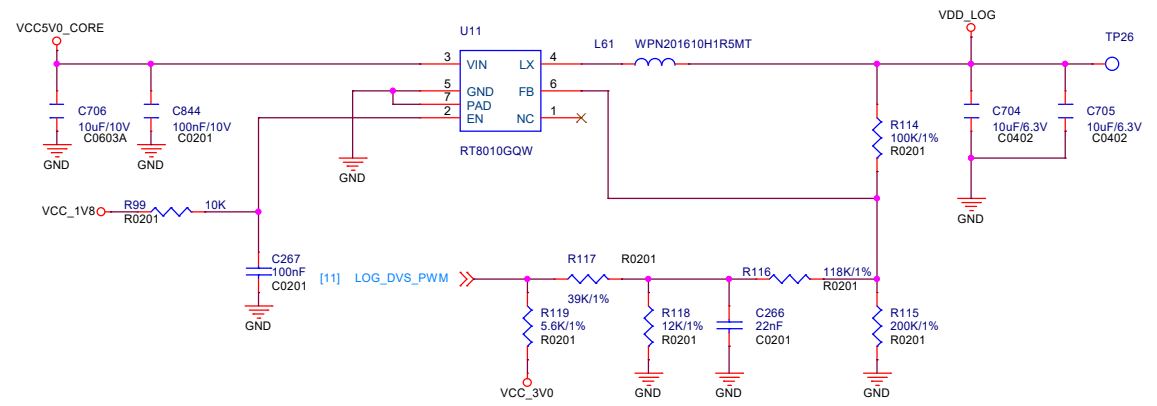
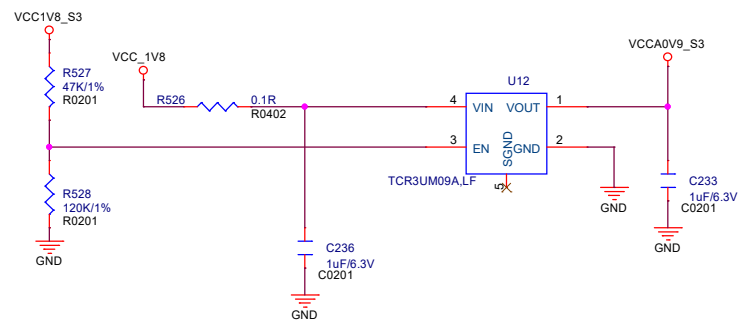
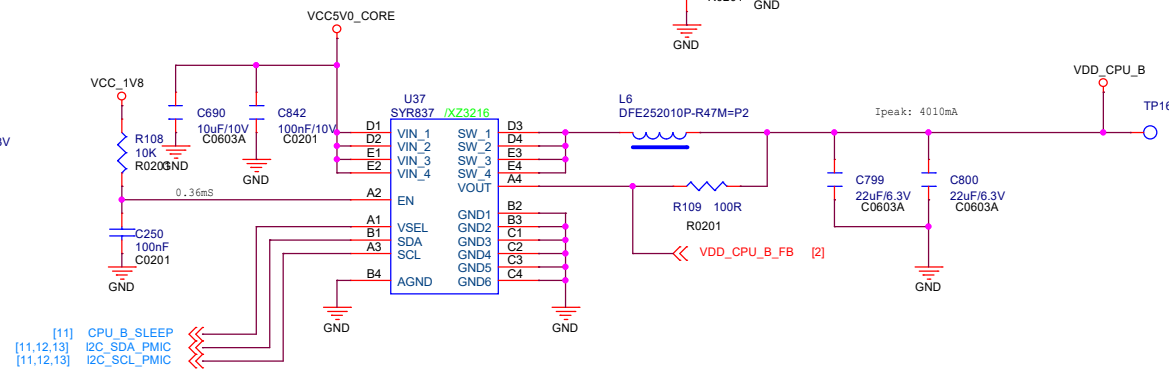
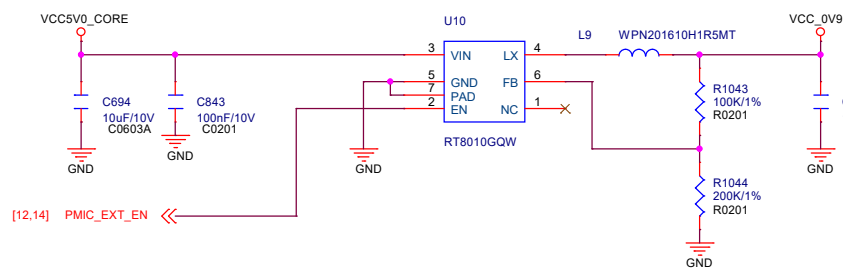
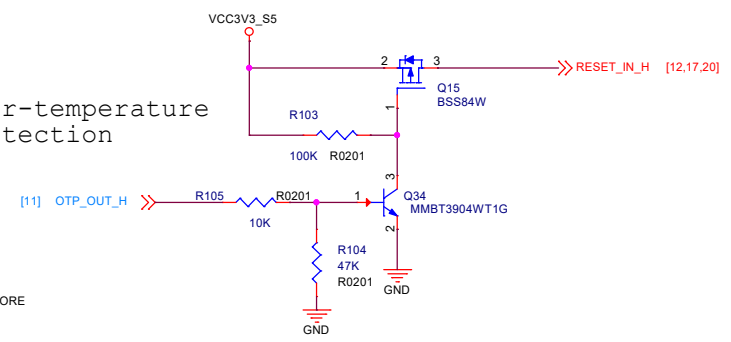
# PMIC RK808



SOM-RK3399v2		Rev
Doc: C:\pm2\Power1-RK808-D	Document Number	1910
Date: Thursday, March 19, 2020	Sheet	12 of 20

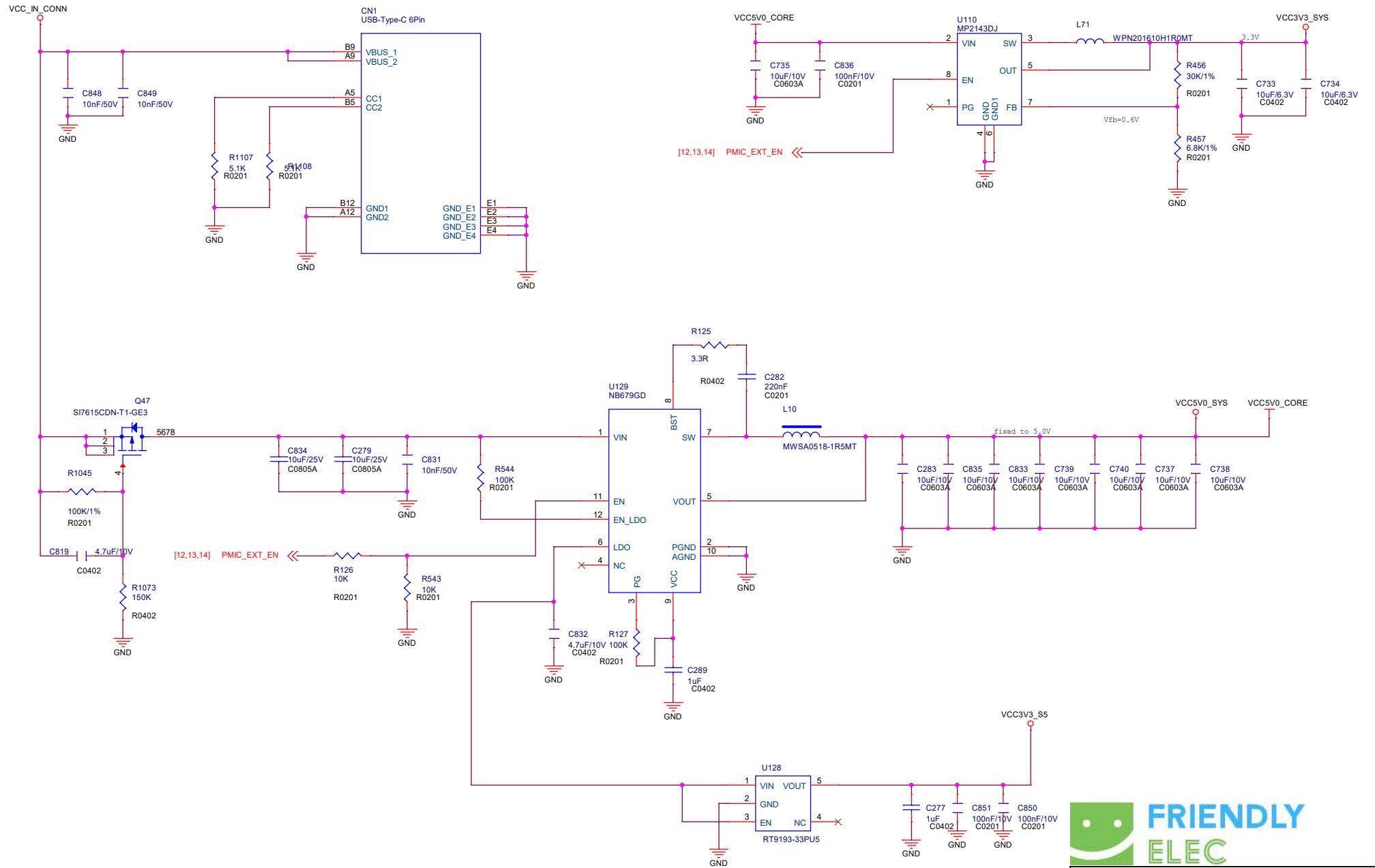


### Over-temperature Protection

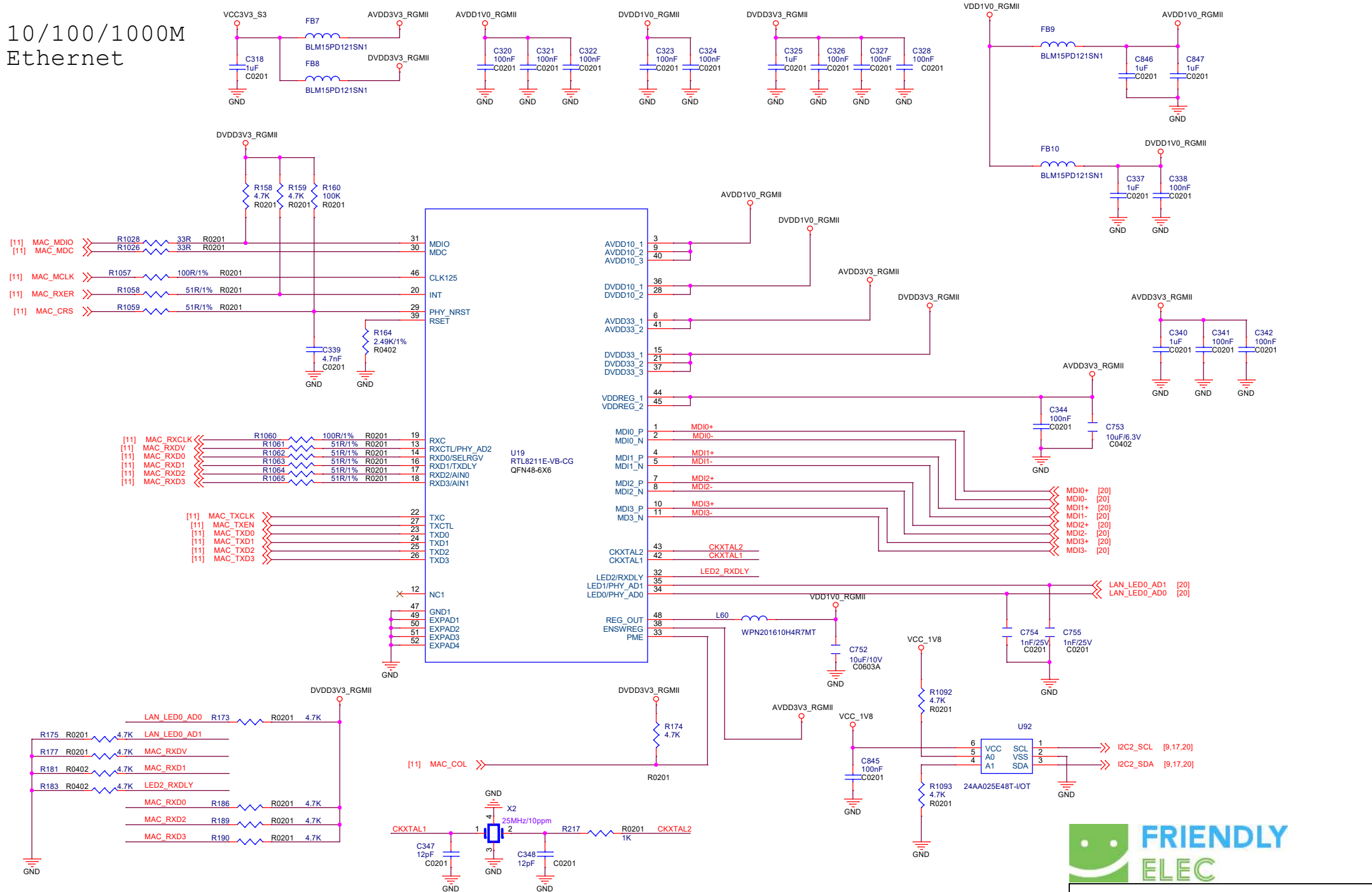


SOM-RK3399v2		
Size A3	Document Number 13.Power2-CPU/GPU/etc	Rev 1910
Date:	Thursday, March 19, 2020	Sheet 13 of 20

# Power Supply

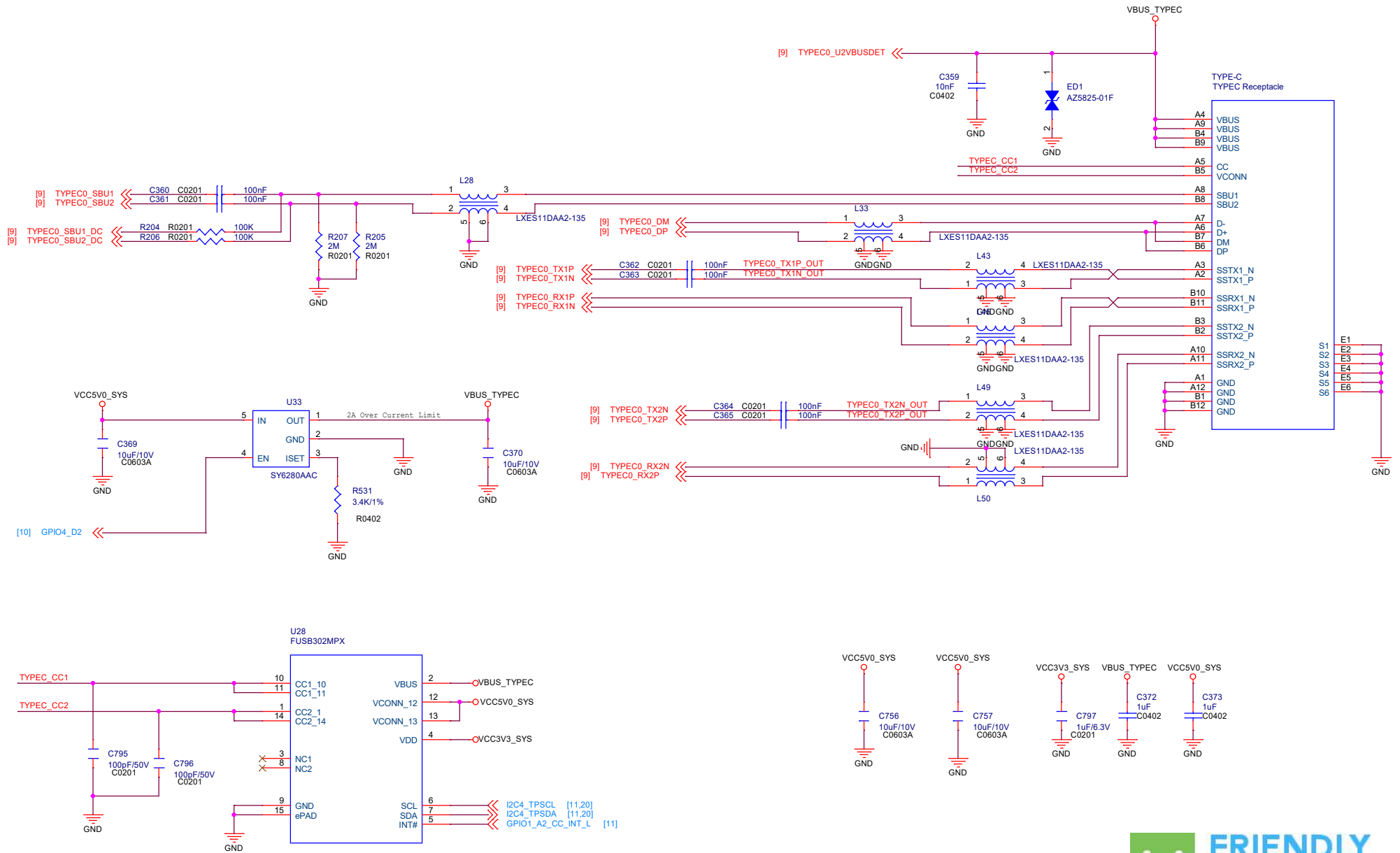


# 10/100/1000M Ethernet



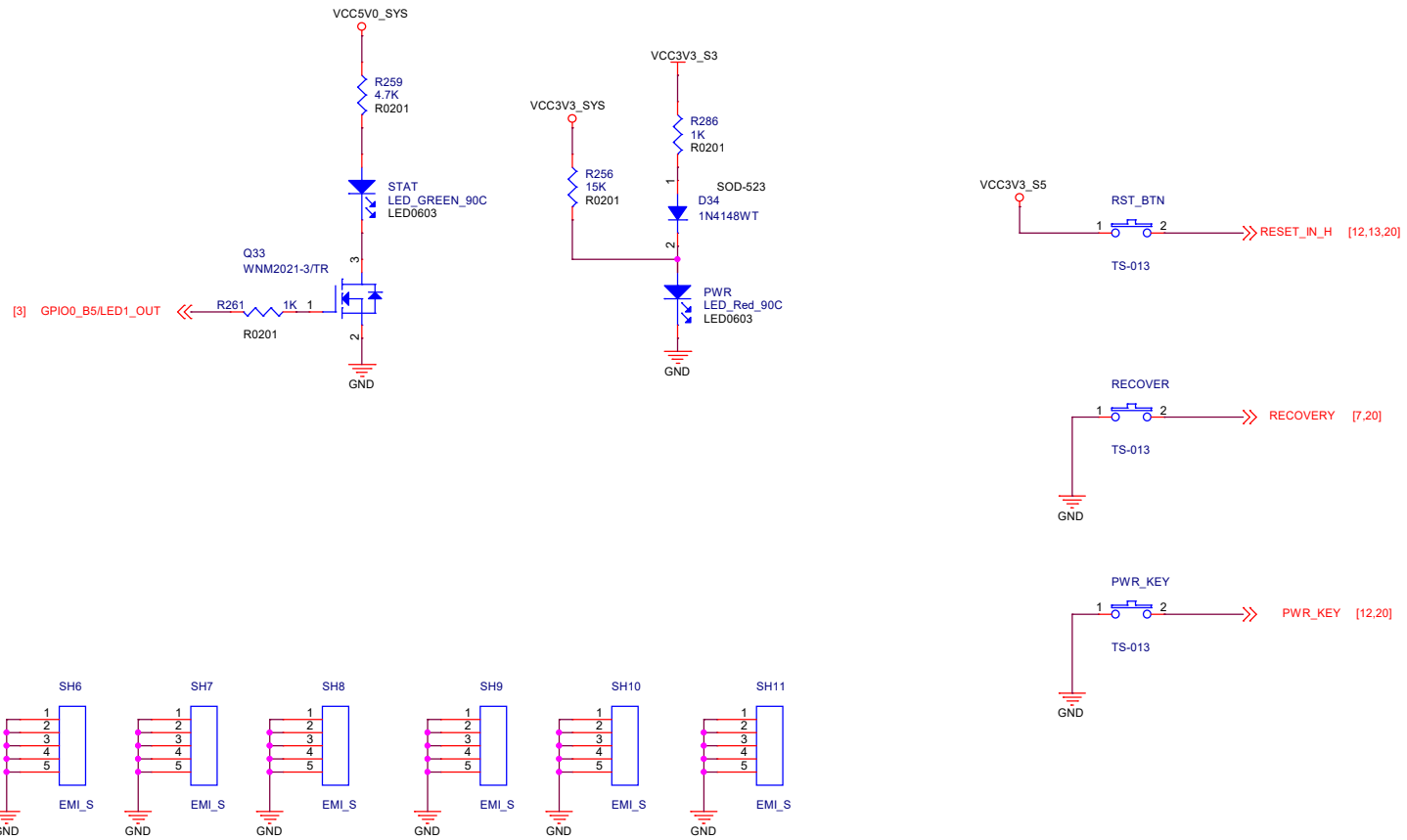
SOM-RK3399v2		
Size A3	Document Number 15.RGMII-10/100/1000M	Rev 1910
Date: Thursday, March 19, 2020	Sheet 15	of 20

# USB Type-C

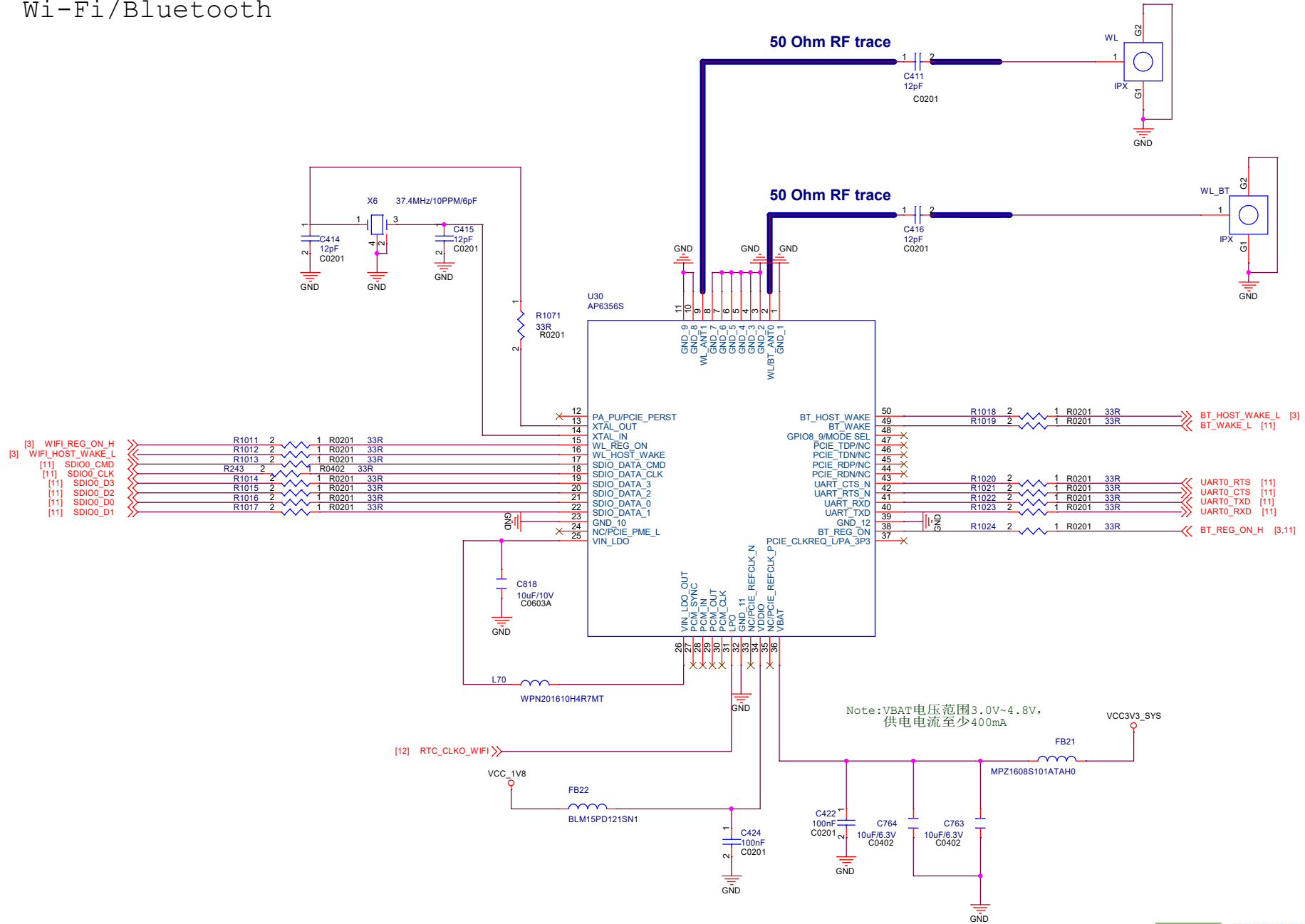




# GPIO



# Wi-Fi/Bluetooth



SOM-RK3399v2		
Size	Document Number	Rev
A3	18.WIFI	1910
Date:	Thursday, March 19, 2020	Sheet 18 of 20

