

# NanoPi M1

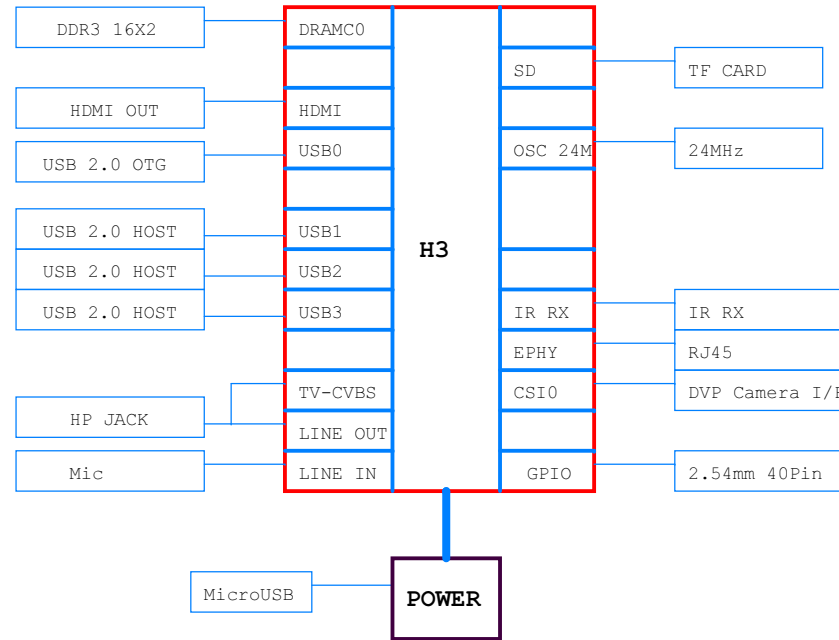
## Revision

1603 , First Release  
1603B, 1.Change IR reciver to VS1838B  
2.Change DC/DC  
3.Remove RTC OSC  
4.etc

**FRIENDLYARM**

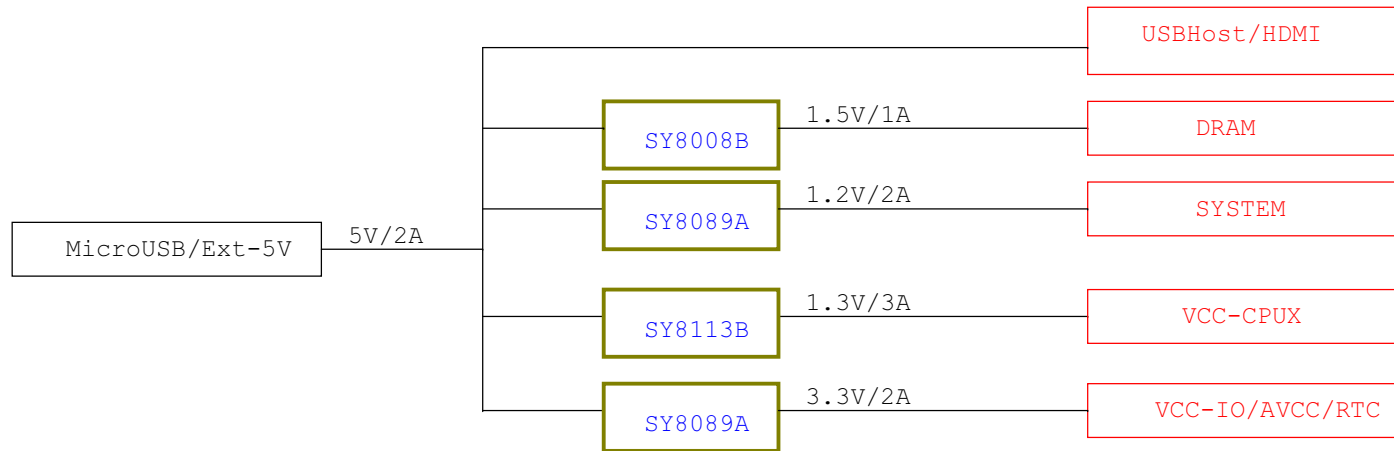
NanoPi M1		
Size A3	Document Number 01:Title	Rev 1603B
Date:	Monday, April 18, 2016	Sheet 1 of 12

# BLOCK



FRIENDLYARM

# POWER TREE

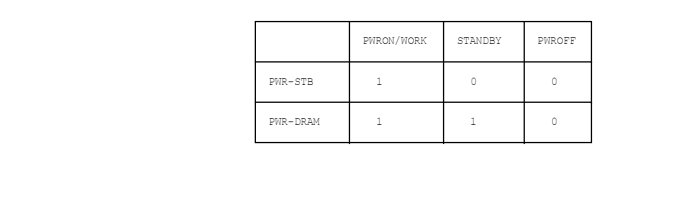
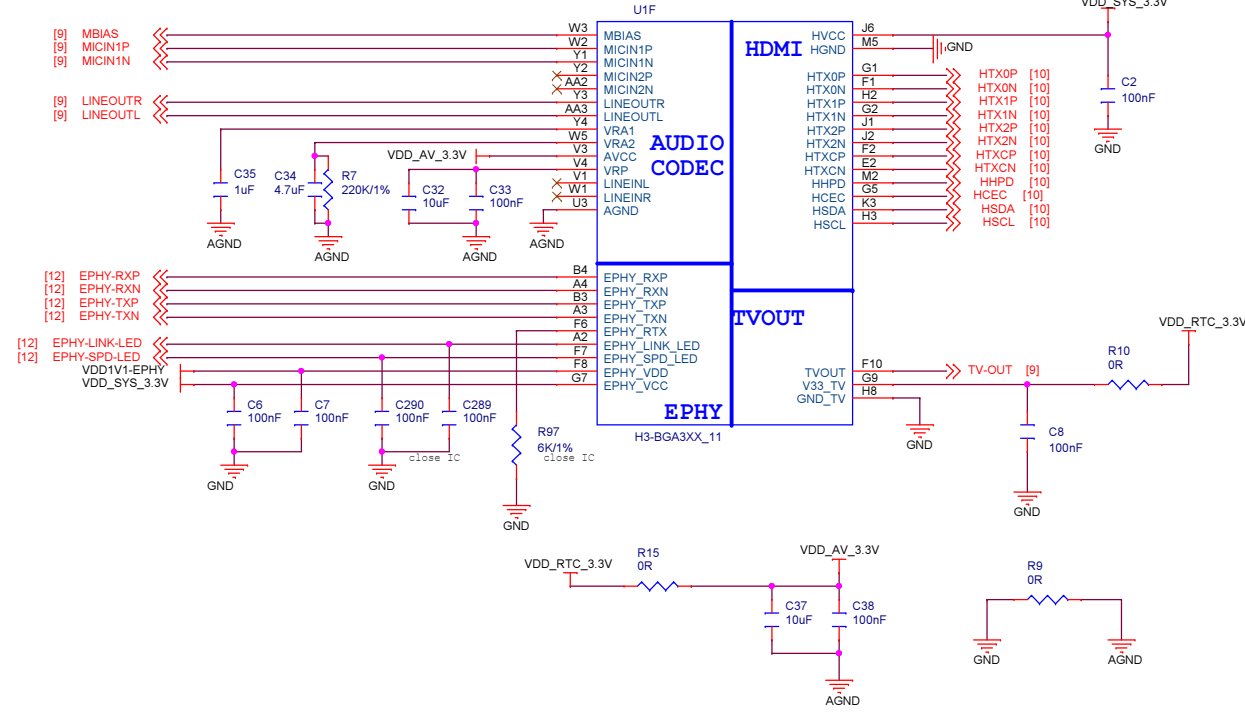
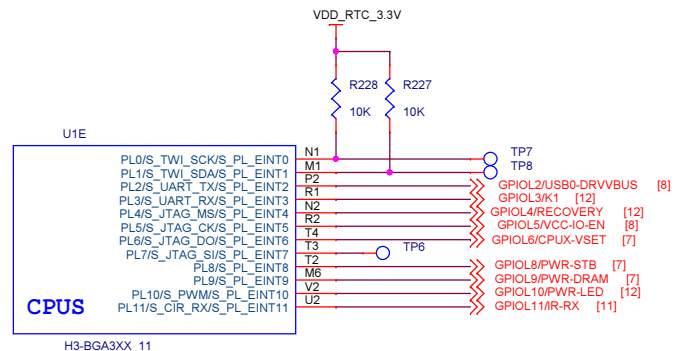
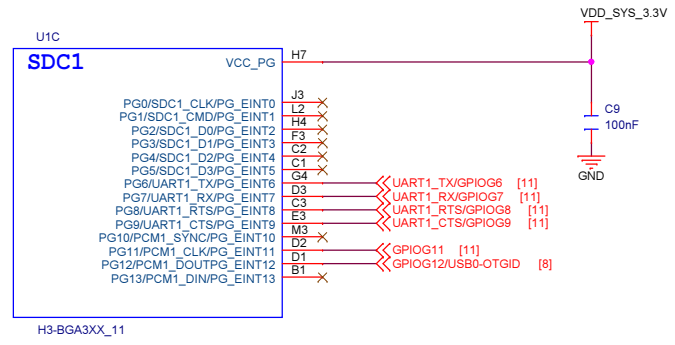
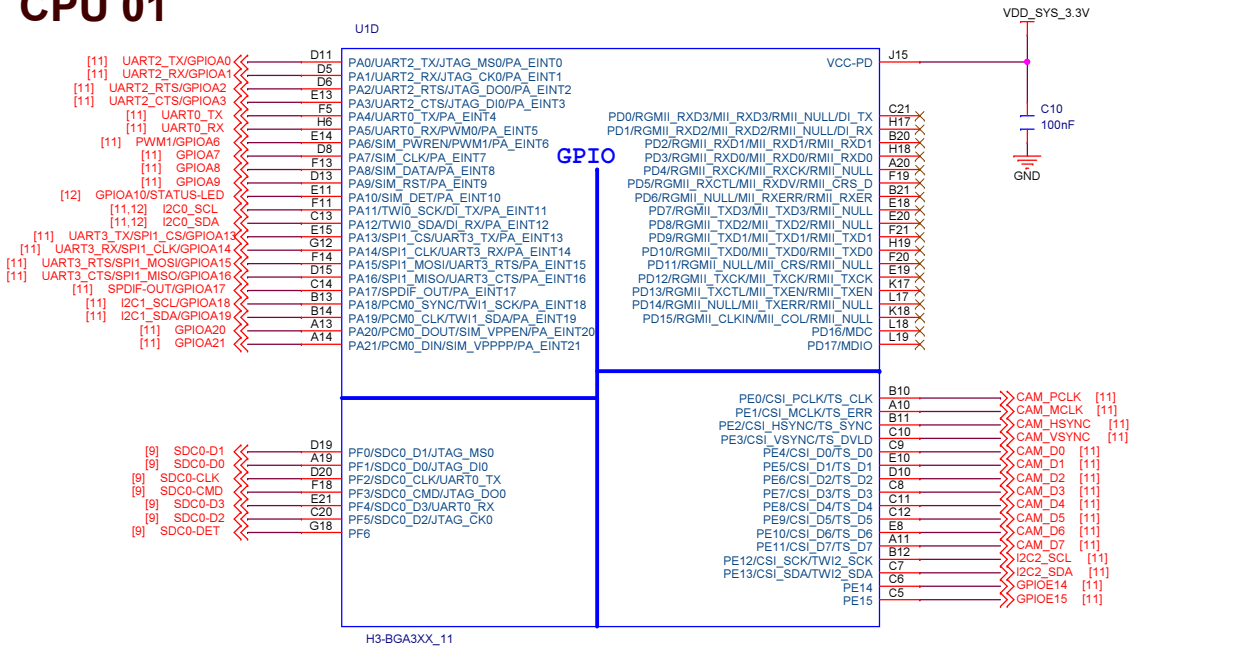


**FRIENDLYARM**

NanoPi M1		
Size A3	Document Number 03:Power Tree	Rev 1603B
Date:	Monday, April 18, 2016	Sheet 3 of 12



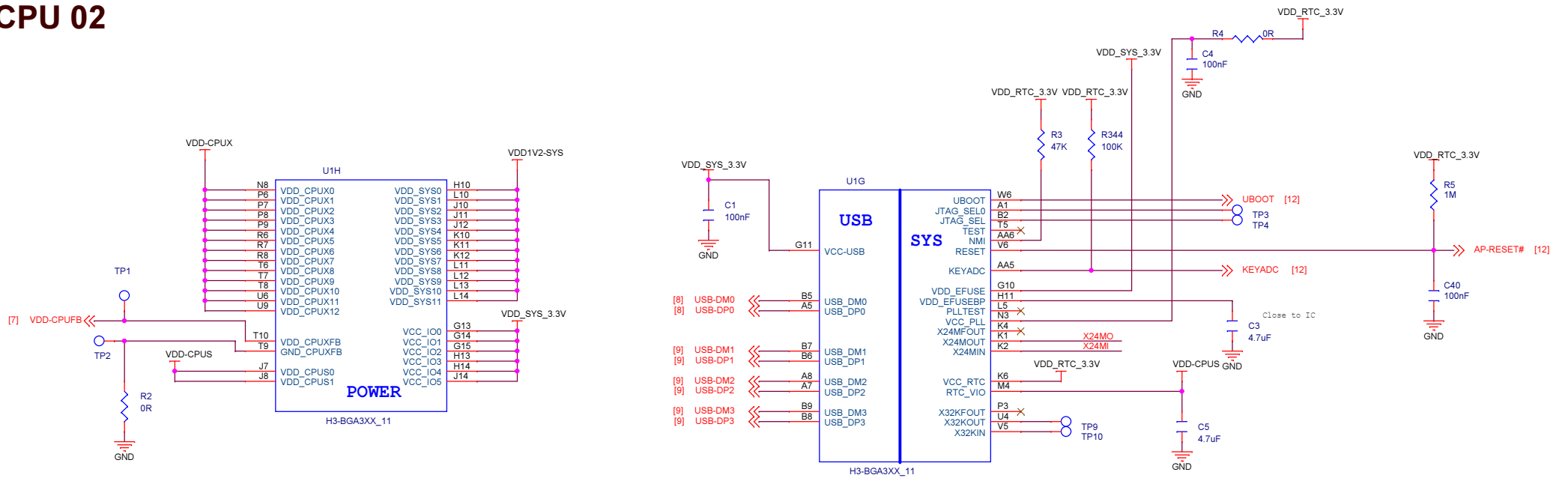
# CPU 01



	PWRON/WORX	STANDBY	PWROFF
PWR-STB	1	0	0
PWR-DRAM	1	1	0

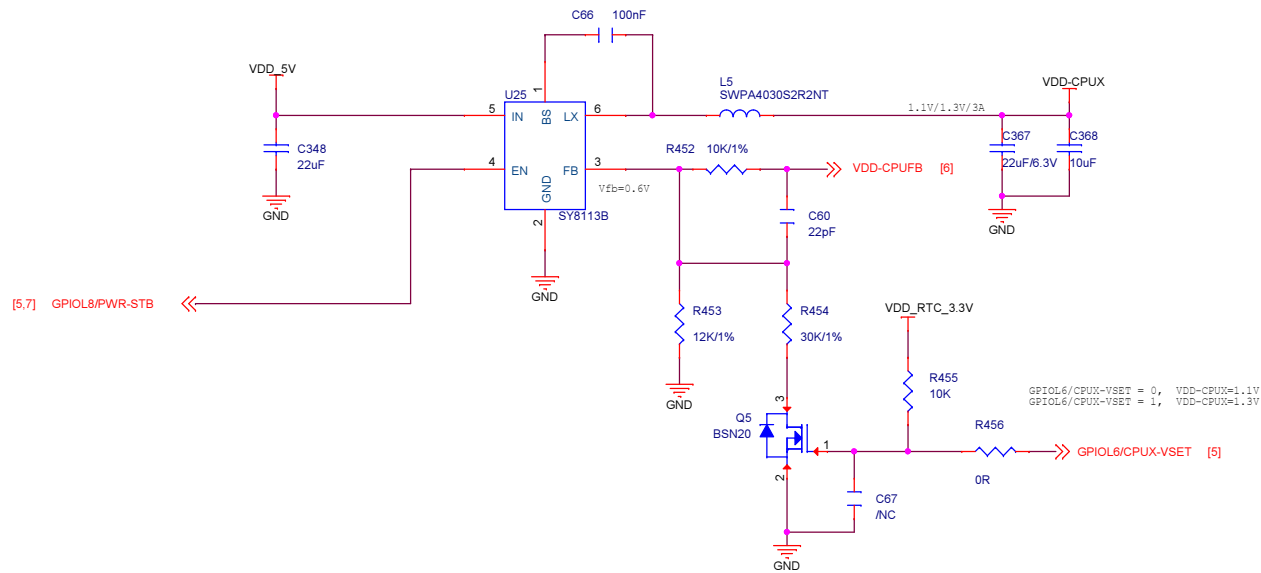
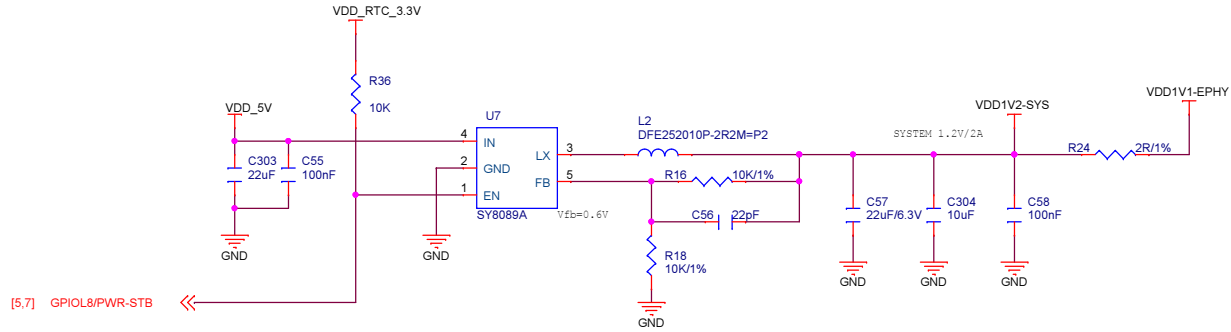
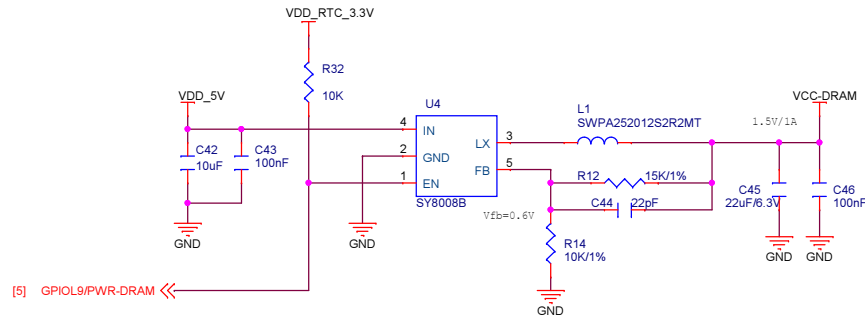


# CPU 02



NanoPi M1		
Size A3	Document Number 06:CPU-H3-02	Rev 1603B
Date: Monday, April 18, 2016	Sheet 6	of 12

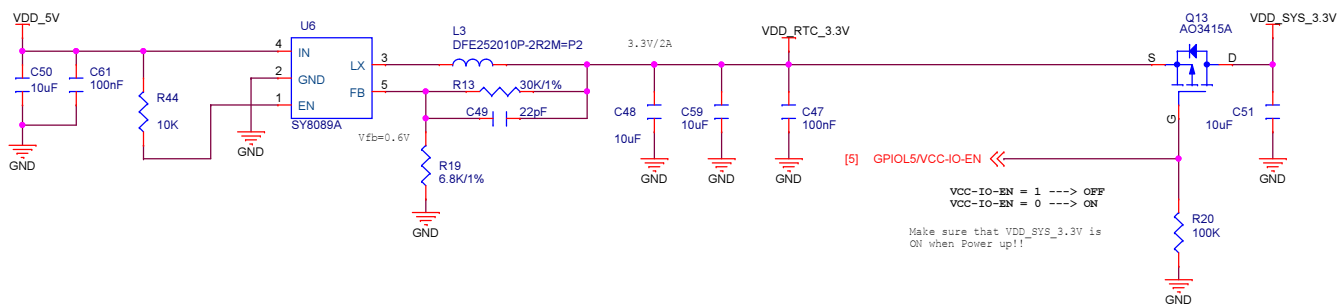
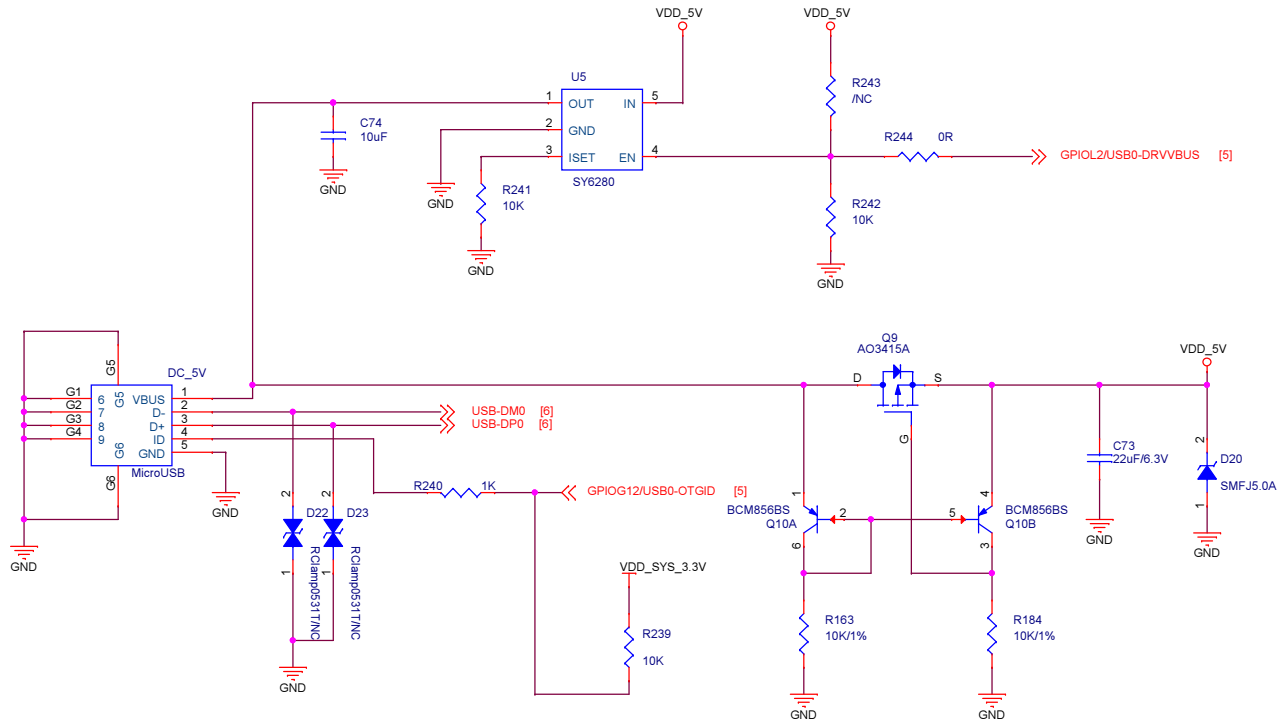
# POWER 01



FRIENDLYARM

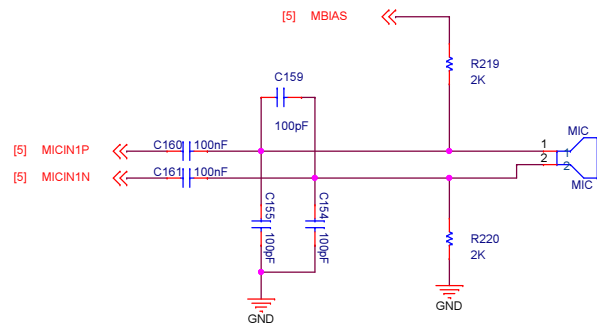
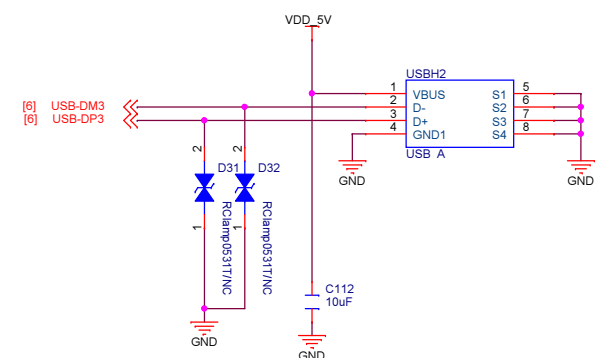
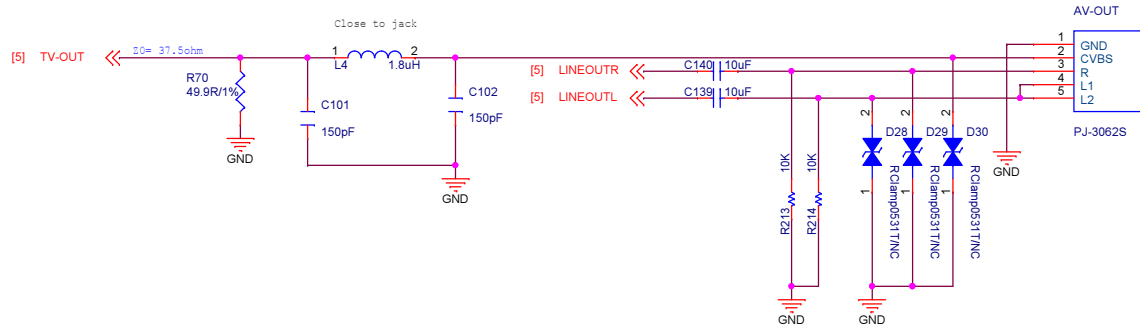
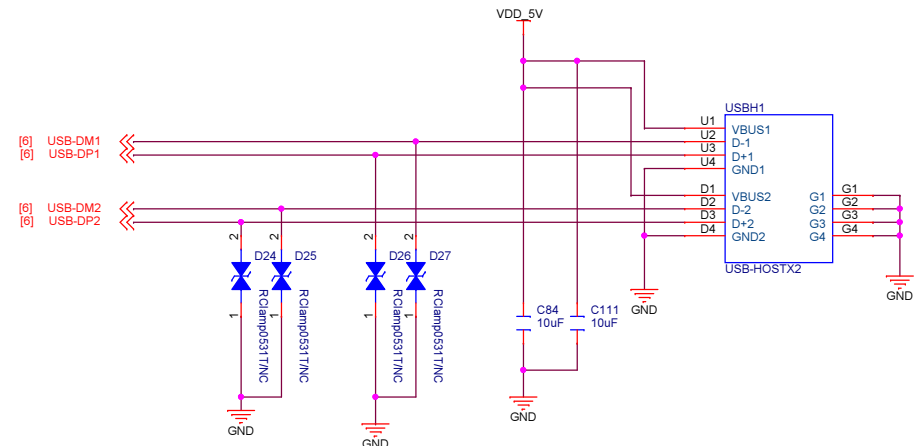
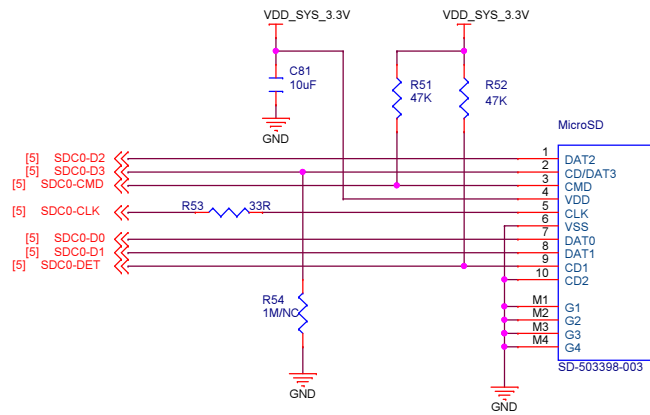
NanoPi M1		
Size A3	Document Number 07:Power-01	Rev 1603B
Date: Monday, April 18, 2016	Sheet 7	of 12

# POWER 02





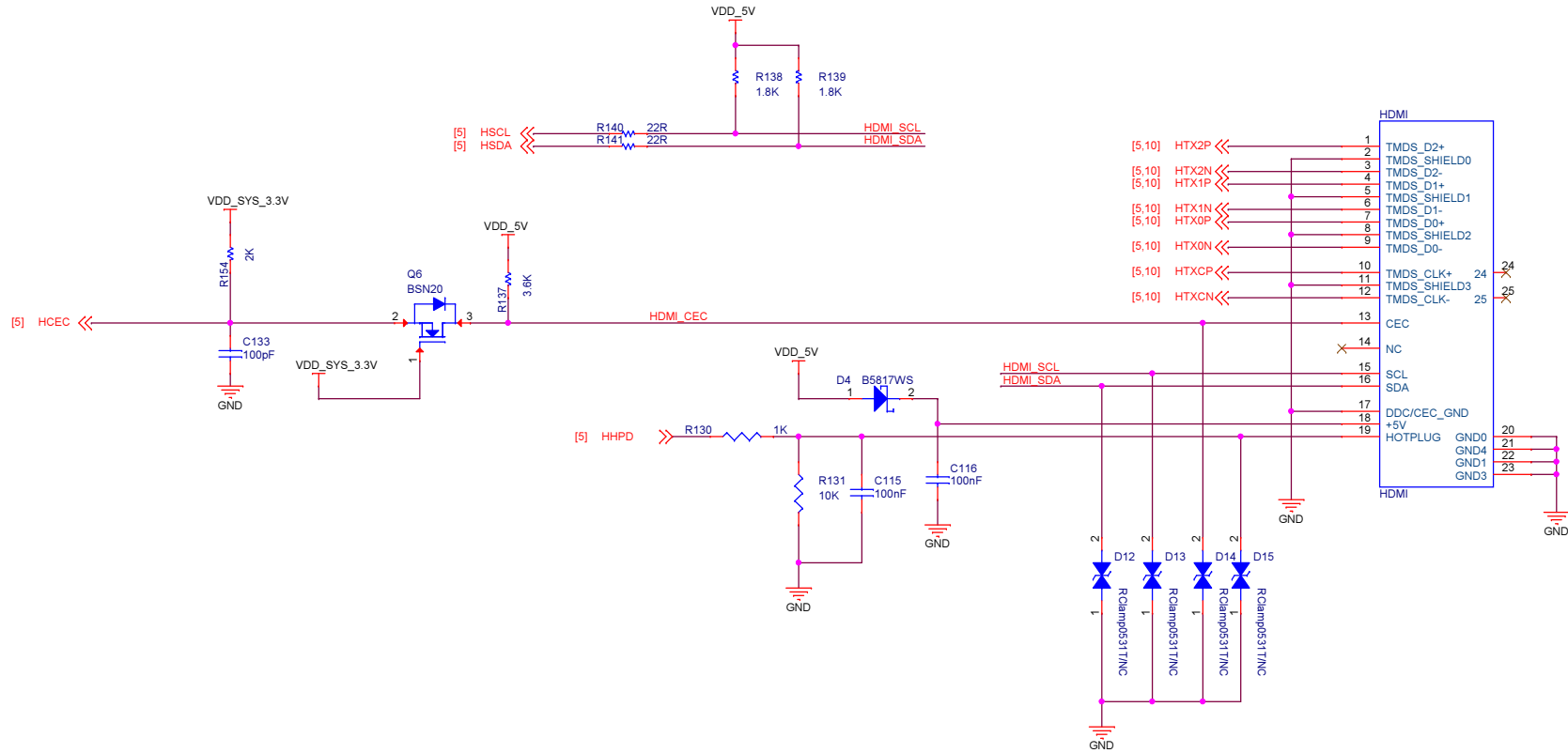
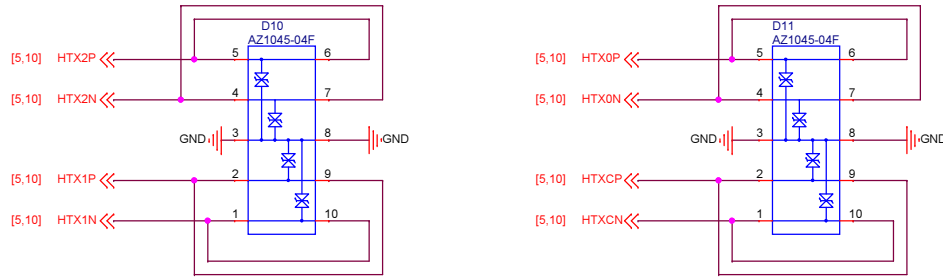
# TF,USB Host, AV



FRIENDLYARM

NanoPi M1		
Size A3	Document Number 09:Card,USB Host, AV	Rev 1603B
Date: Monday, April 18, 2016	Sheet 9	of 12

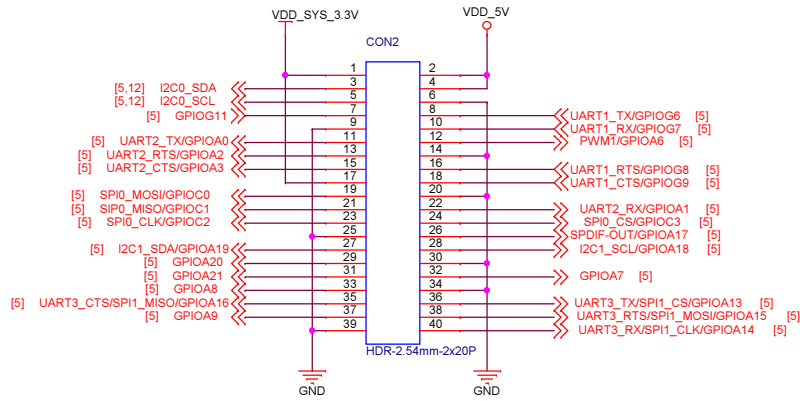
# HDMI



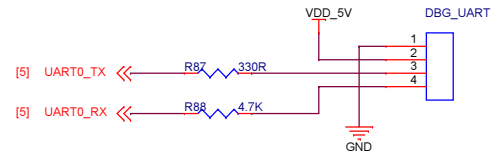
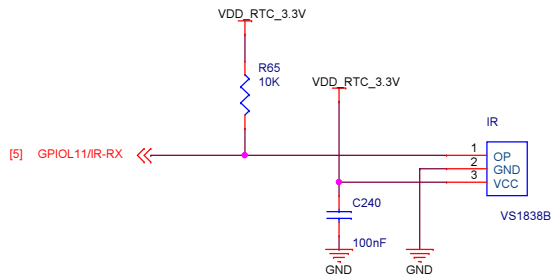
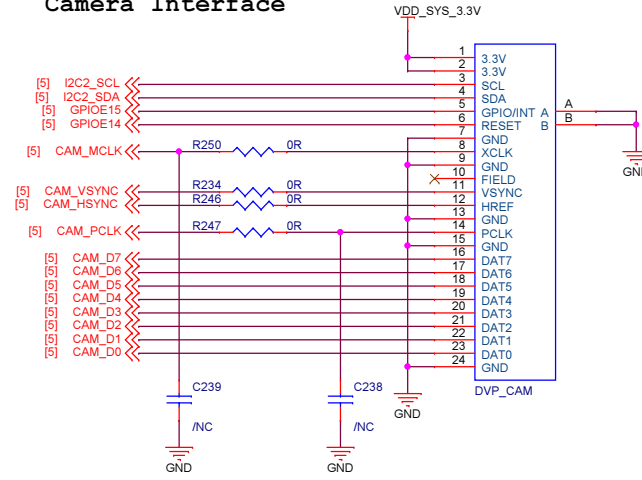
**FRIENDLYARM**

NanoPi M1		
Size A3	Document Number 10:HDMI	Rev 1603B
Date: Monday, April 18, 2016	Sheet 10	of 12

# GPIO, CAM, IR



## Camera Interface



**FRIENDLYARM**

NanoPi M1		
Size A3	Document Number 11:GPIO, CAM, IR	Rev 1603B
Date: Monday, April 18, 2016	Sheet 11 of 12	

