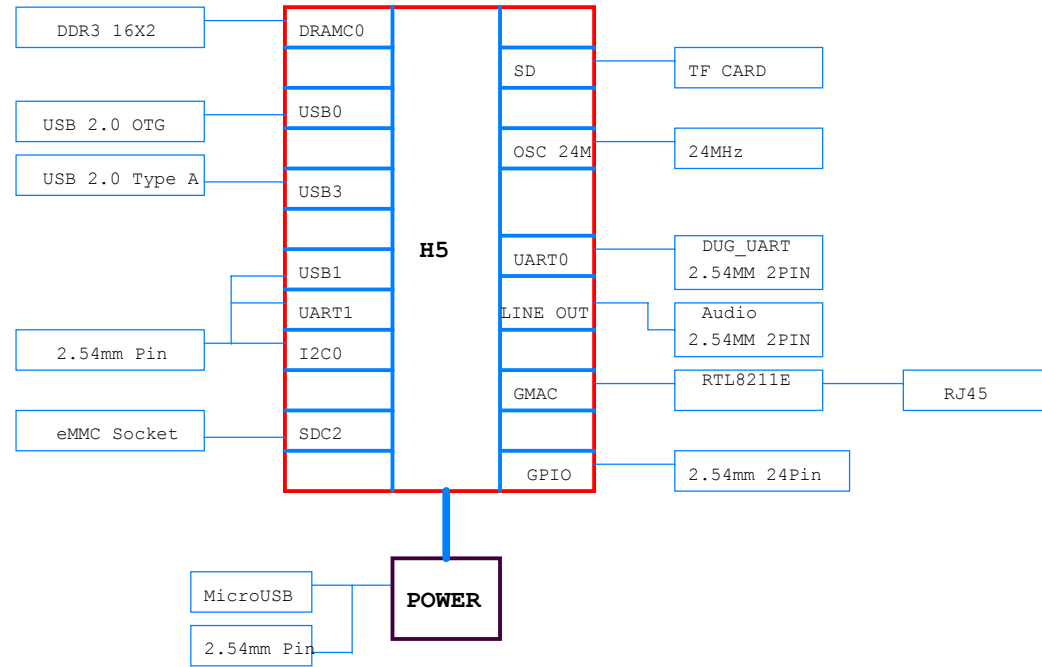


NanoPi NEO2 Black

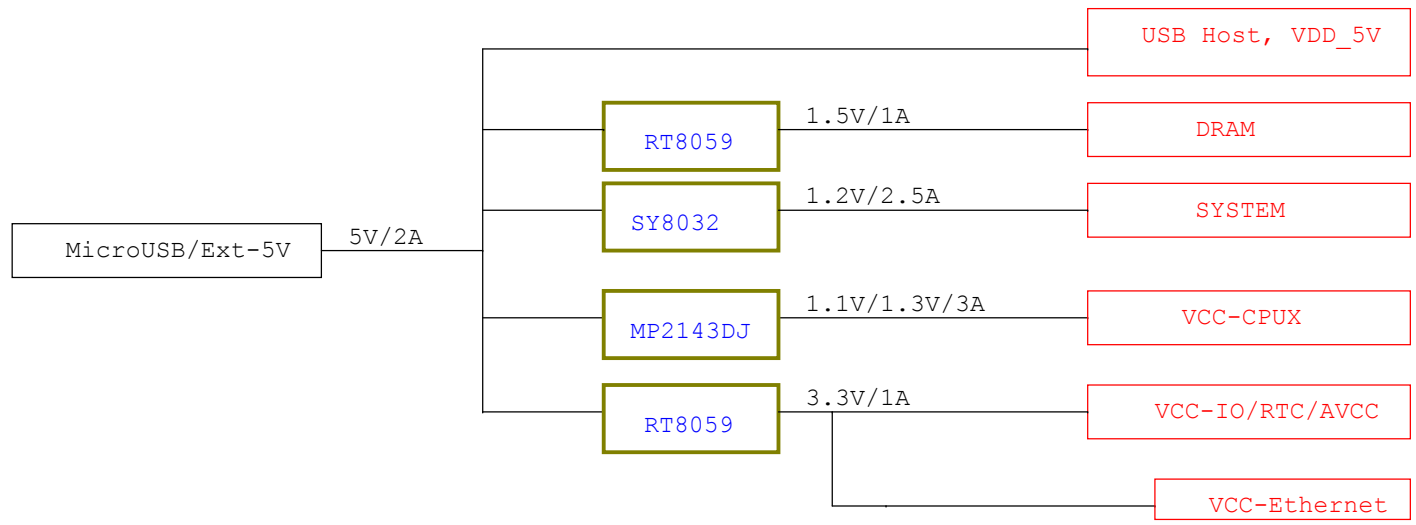


NanoPi NEO2 Black		
Size A3	Document Number 01:Title	Rev 1907
Date:	Tuesday, October 08, 2019	Sheet 1 of 12

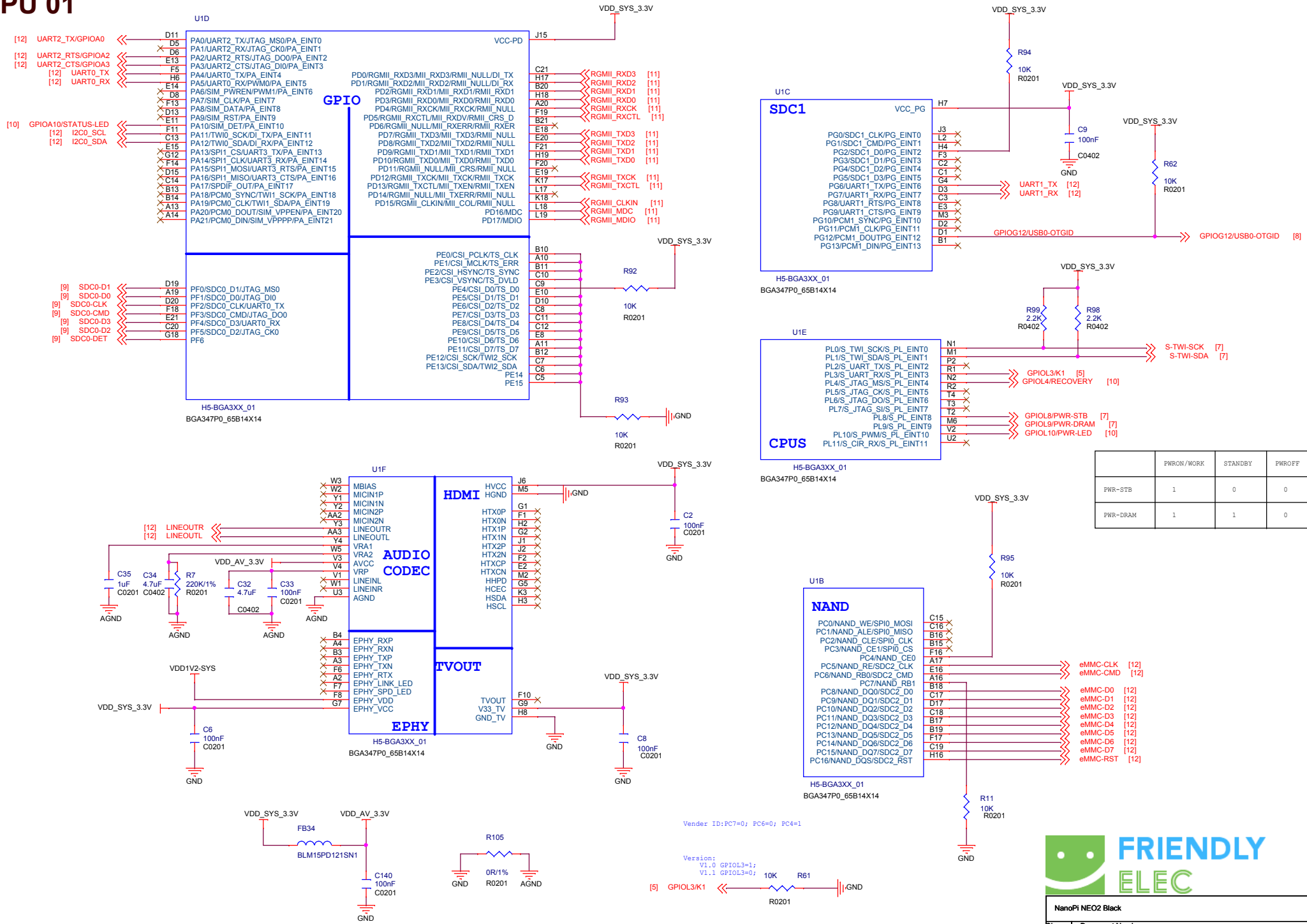
BLOCK



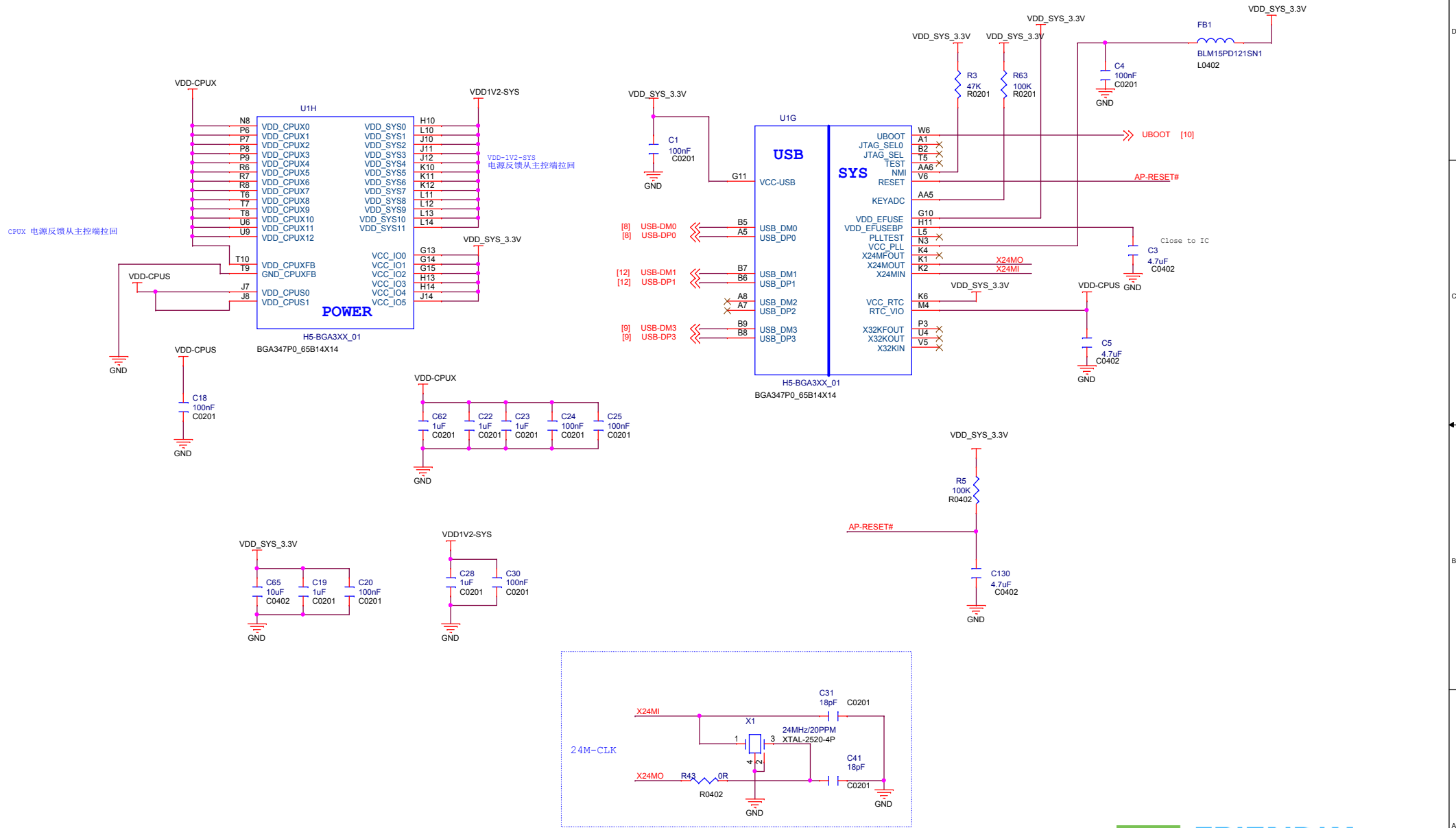
POWER TREE



CPU 01

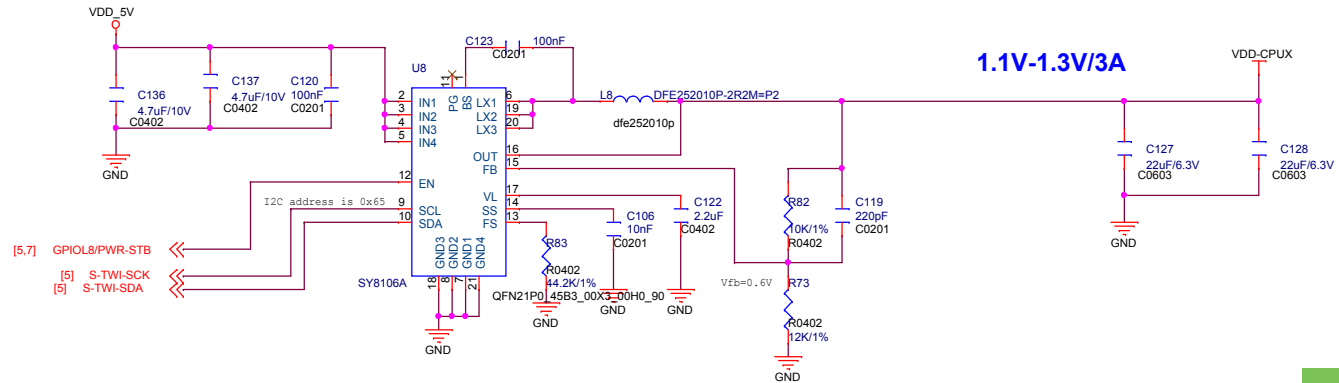
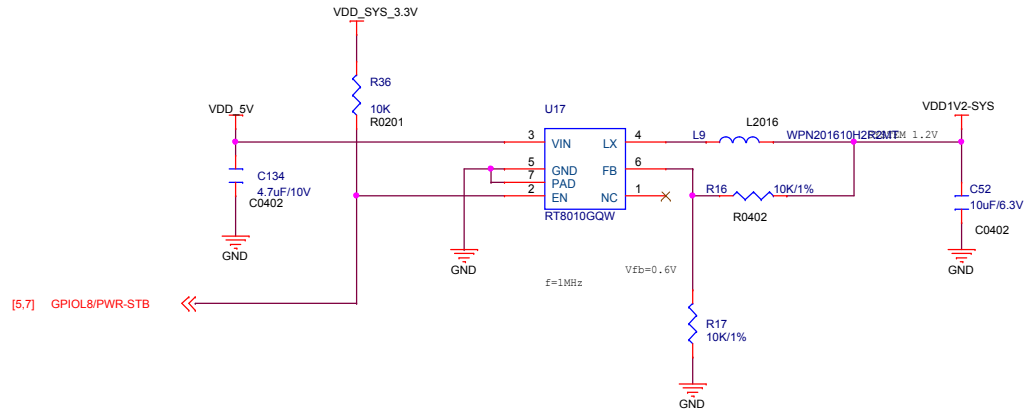
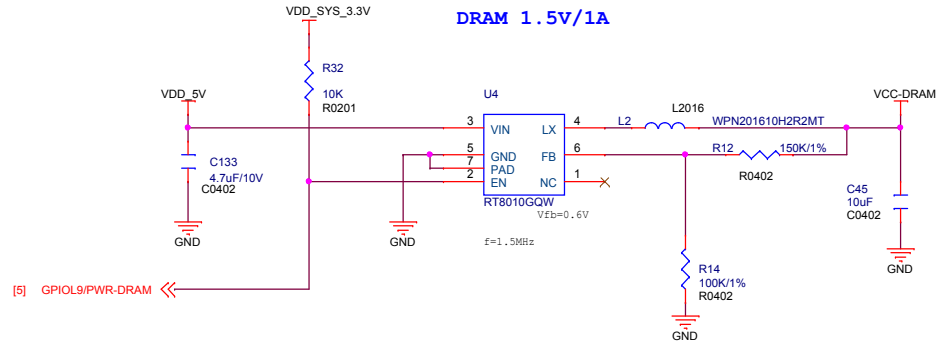


CPU 02

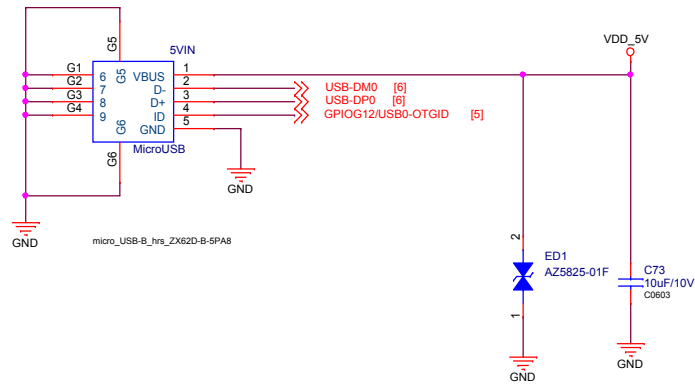


NanoPi NEO2 Black		
Size A3	Document Number 06:CPU-H5-02	Rev 1907
Date: Tuesday, October 08, 2019	Sheet 6	of 12

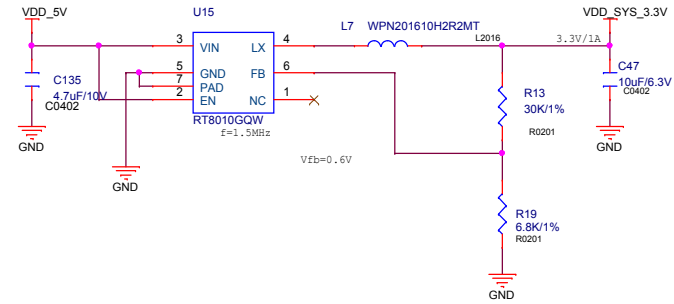
POWER 01



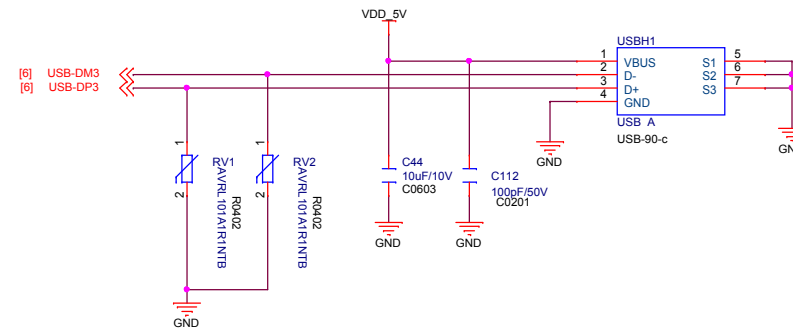
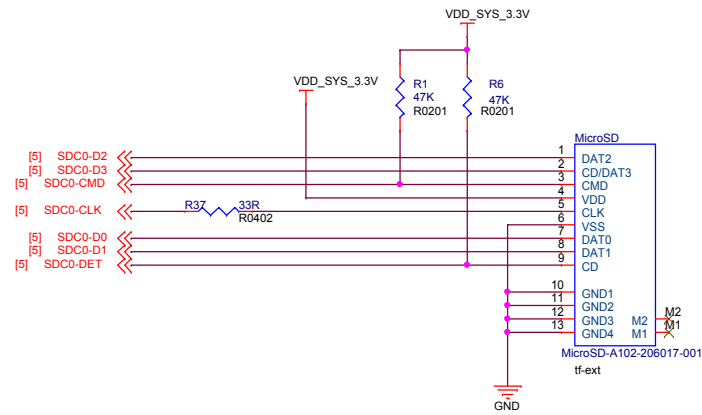
POWER 02



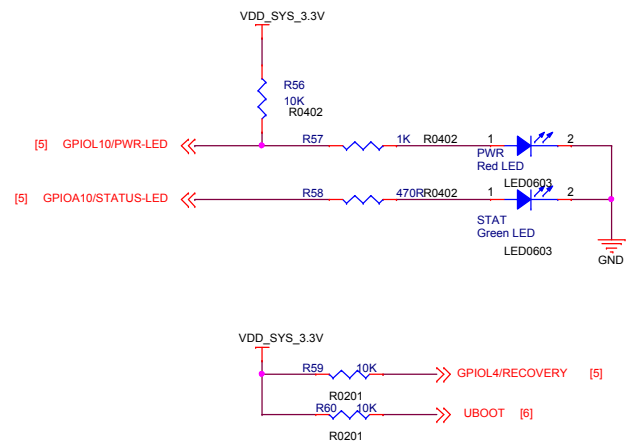
VCC-IO 3.3V/1A

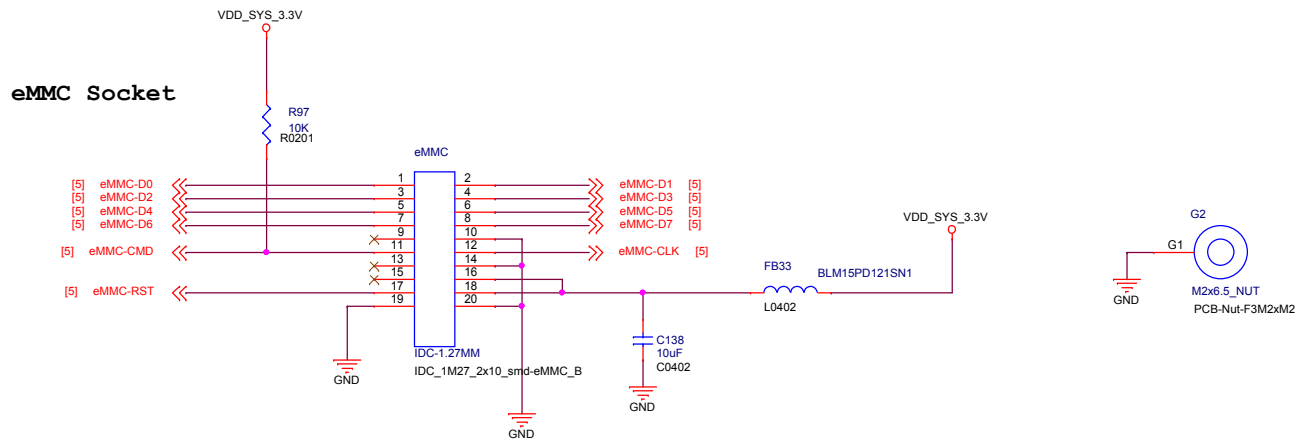


TF Card,USB Host

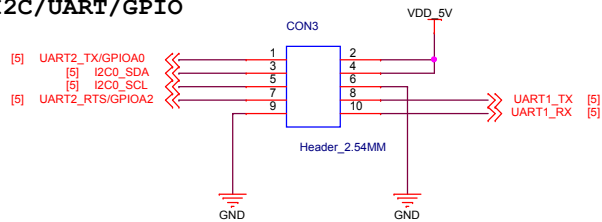


GPIO, DBG_UART, Audio, LEDs

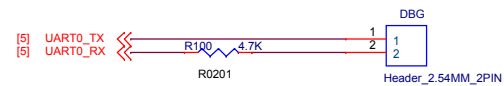




GPIO1: I2C/UART/GPIO



Debug UART



GPIO2: USB/Audio OUT

