

NanoPi NEO Plus2

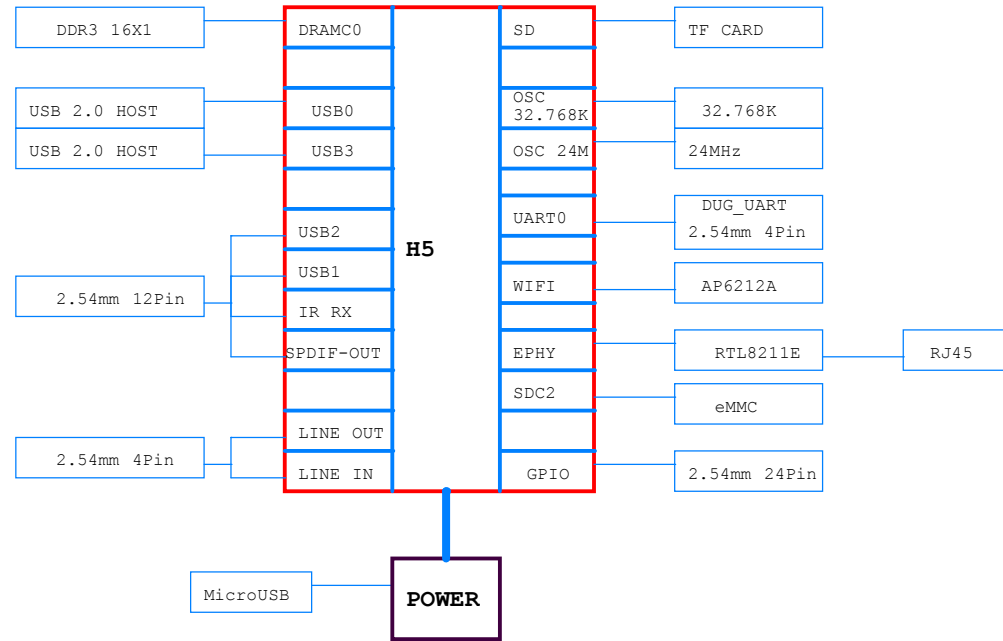
Revision

1704 , V1.0
1805 , V1.1 Changed Aduio connect to 4pin 2.54mm pitch pin-header
1903 , V1.2 Added U14,

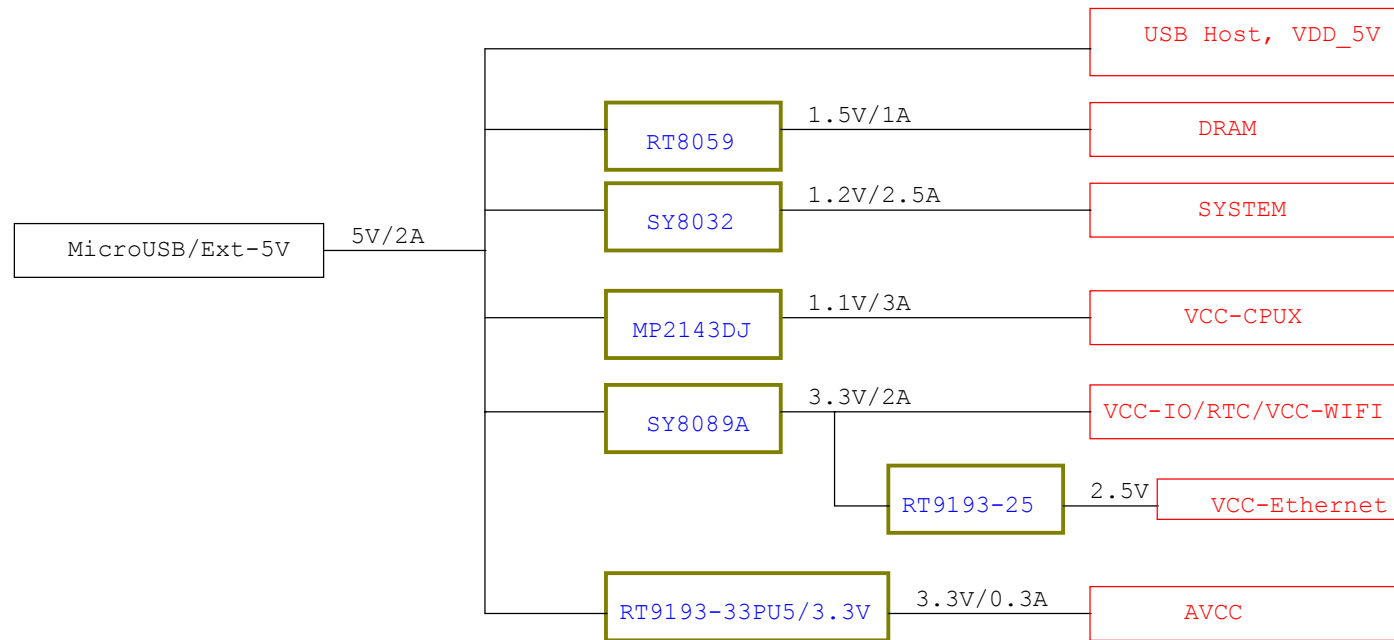


NanoPi NEO Plus2		
Size A3	Document Number Title	Rev V1.2 1903
Date:	Thursday, October 17, 2019	Sheet 1 of 15

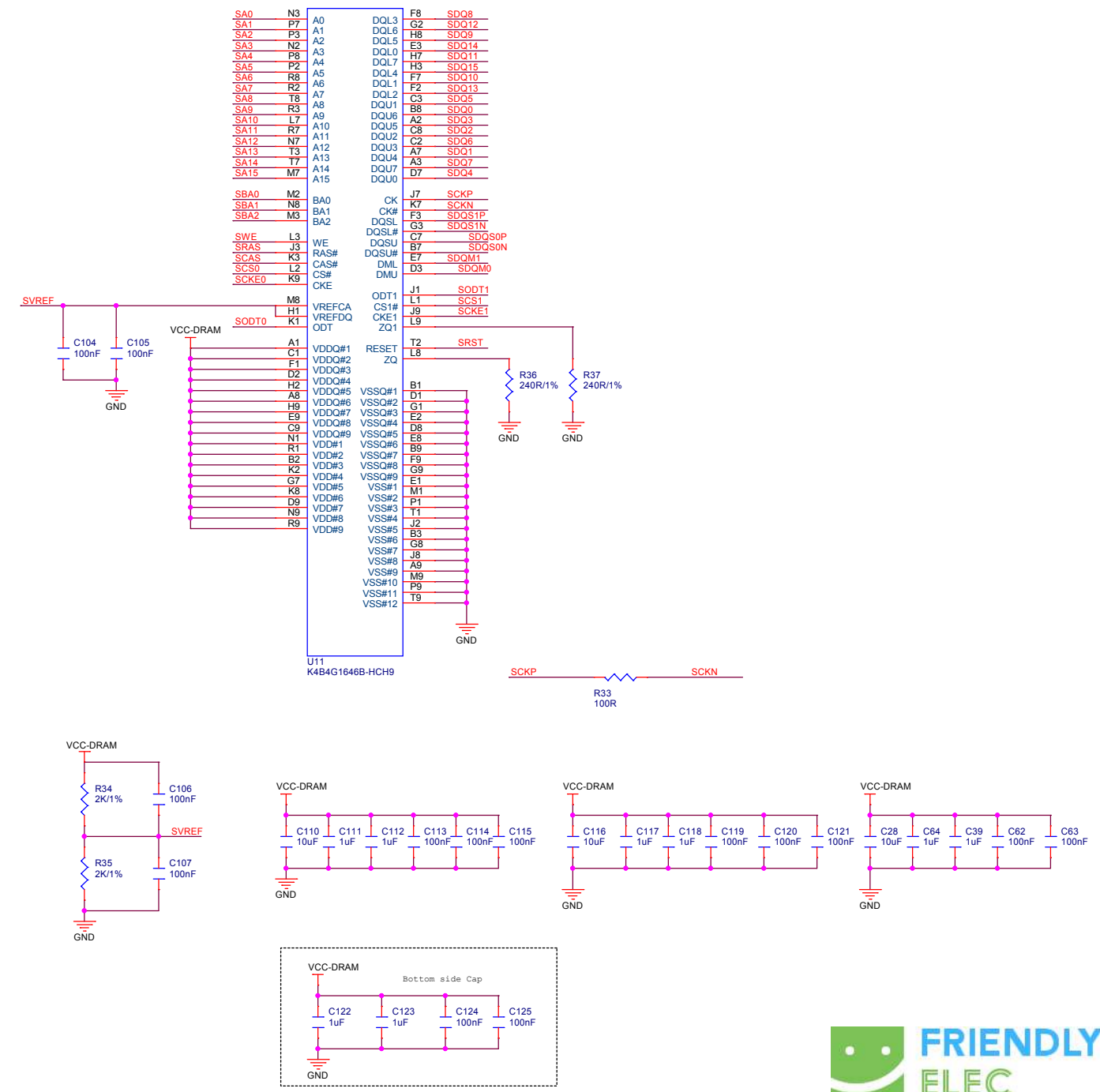
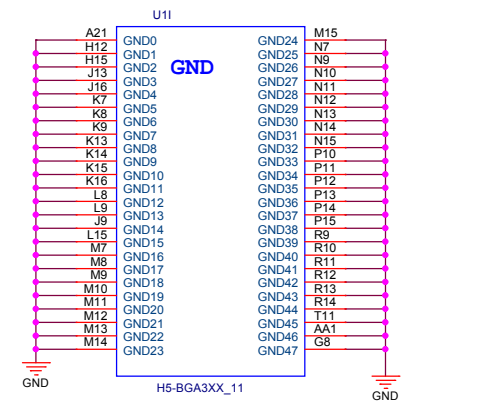
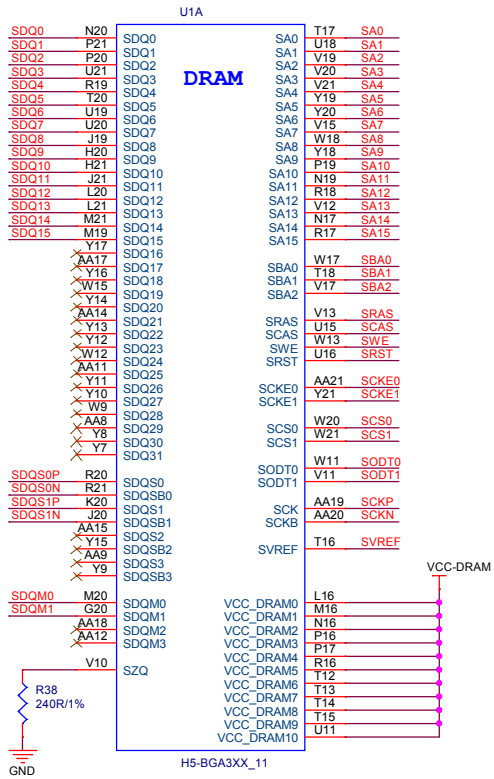
BLOCK



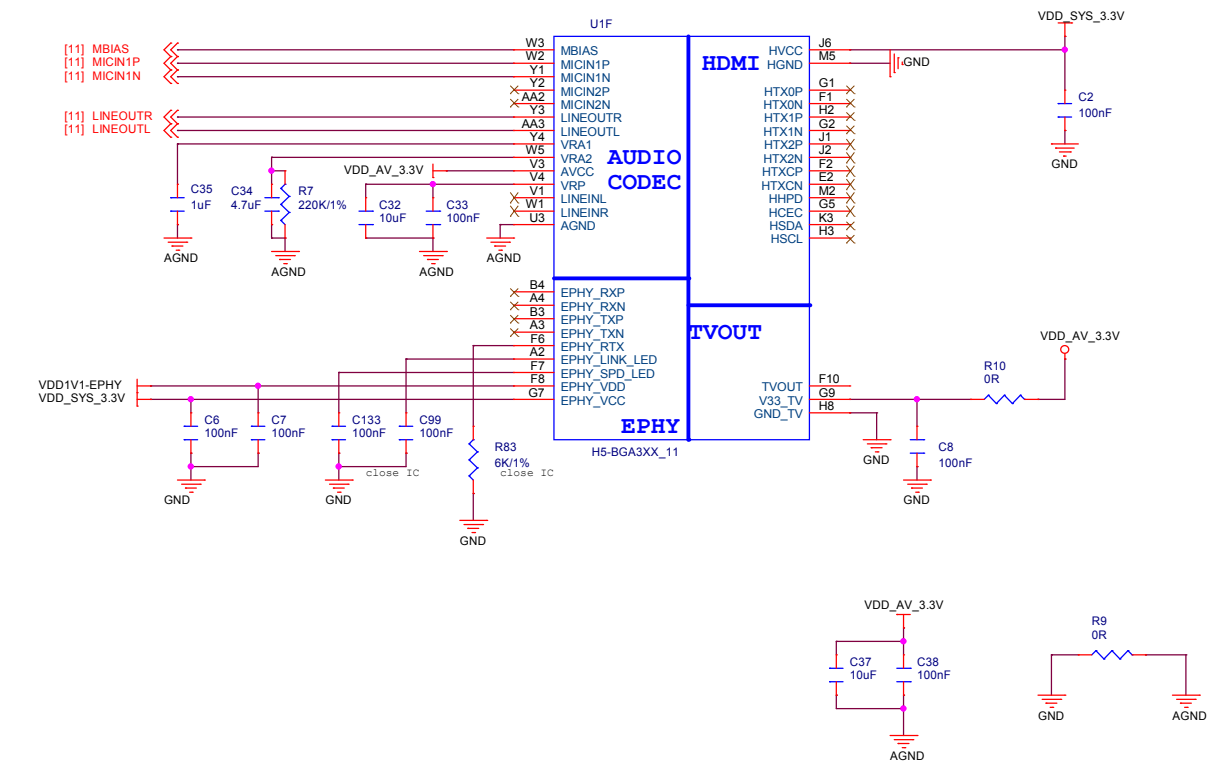
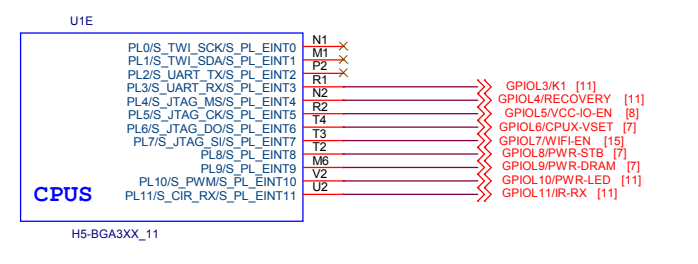
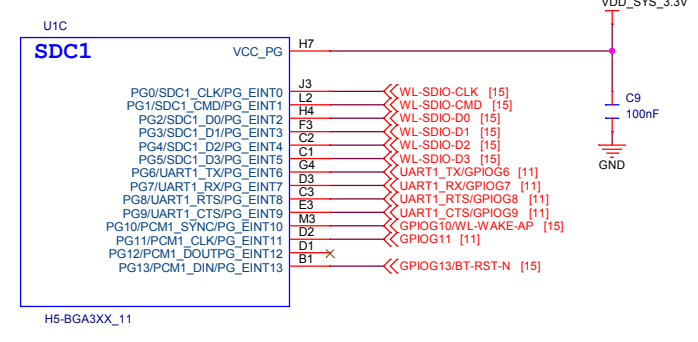
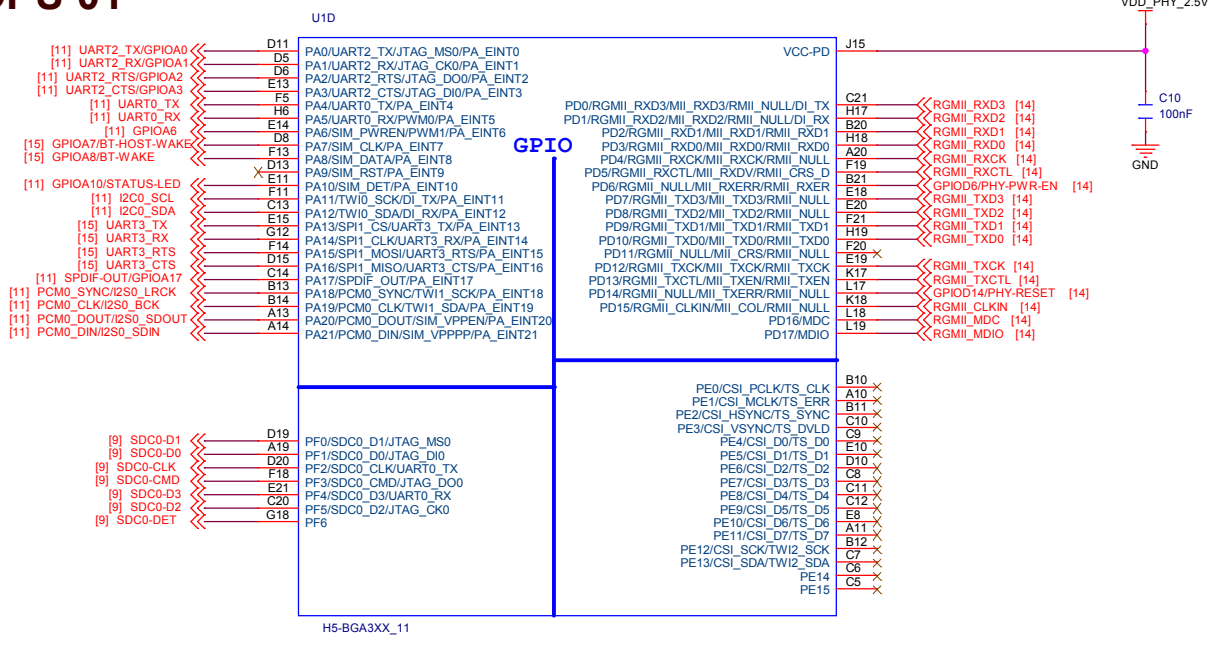
POWER TREE



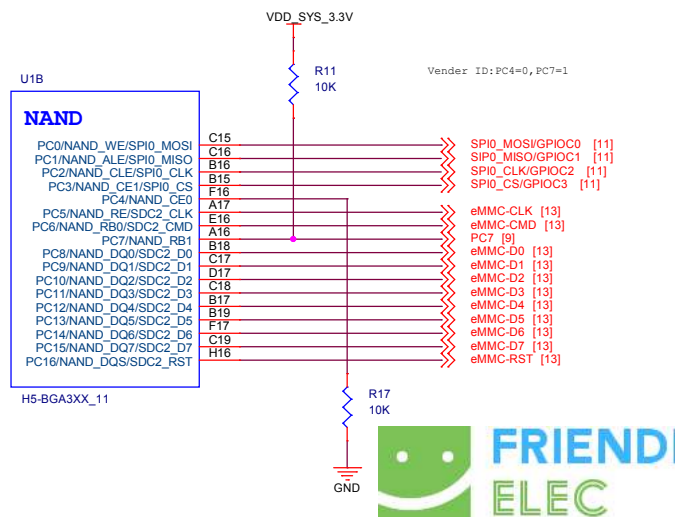
DDR3 16x1



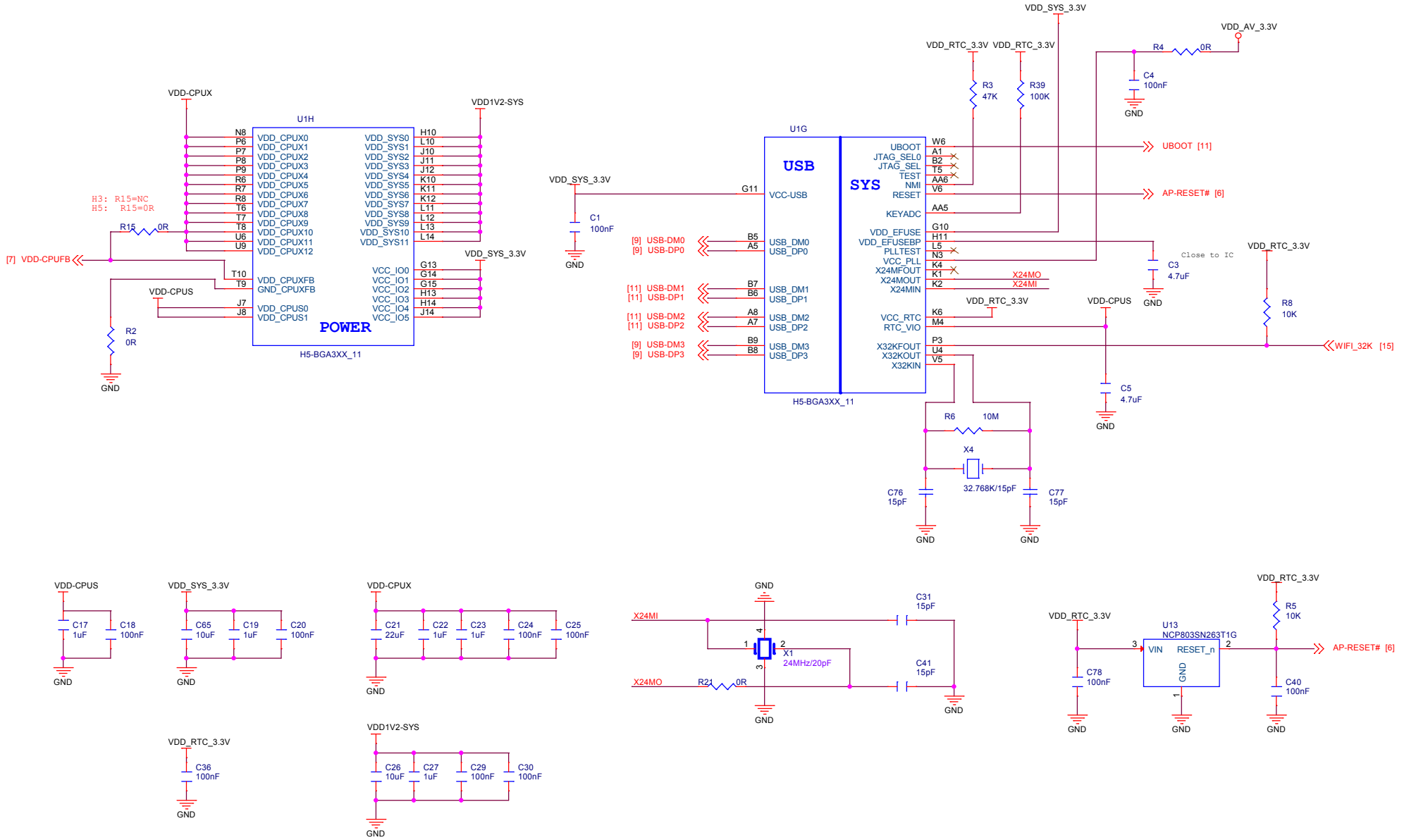
CPU 01



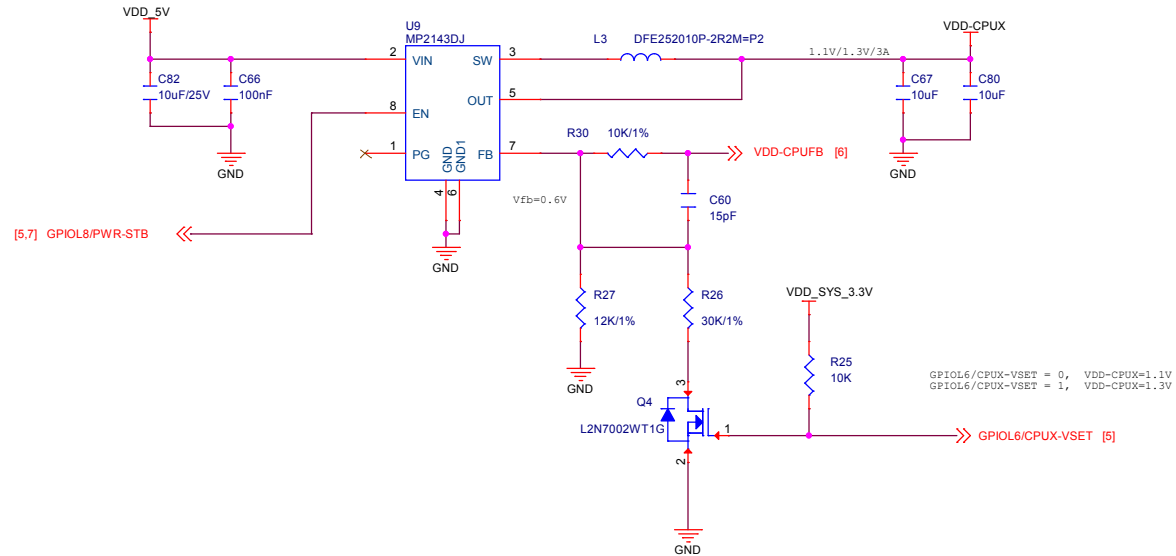
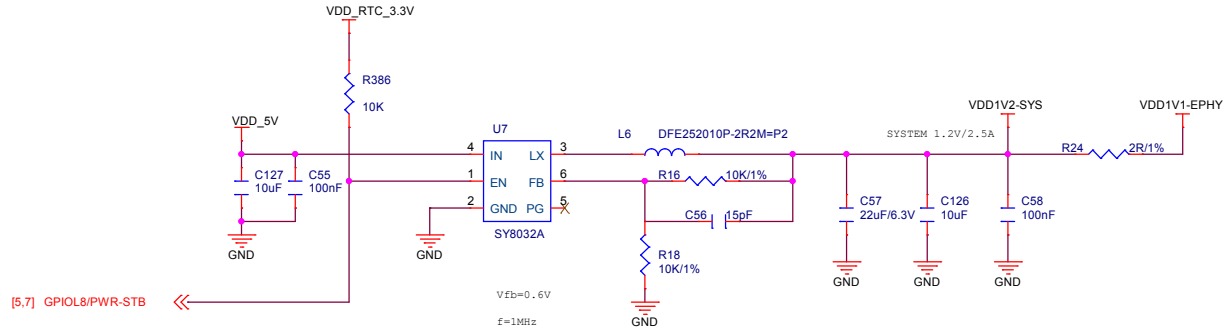
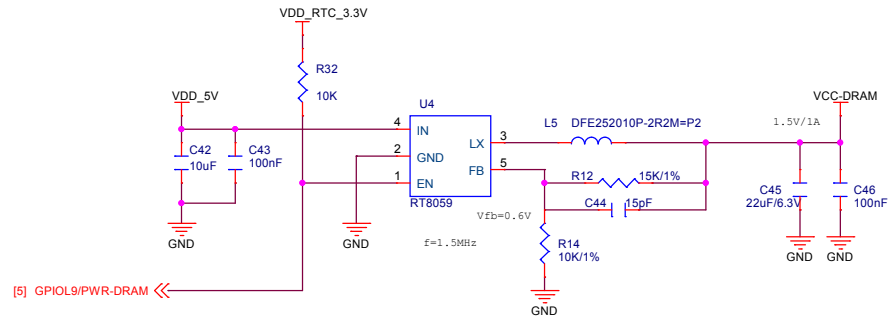
	PWRON/WORK	STANDBY	PWROFF
PWR-STB	1	0	0
PWR-DRAM	1	1	0



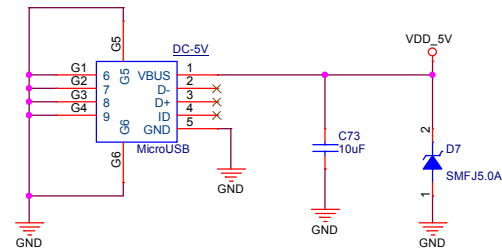
CPU 02



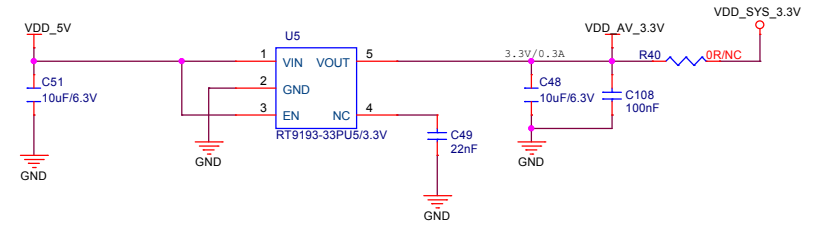
POWER 01



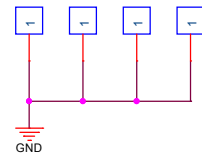
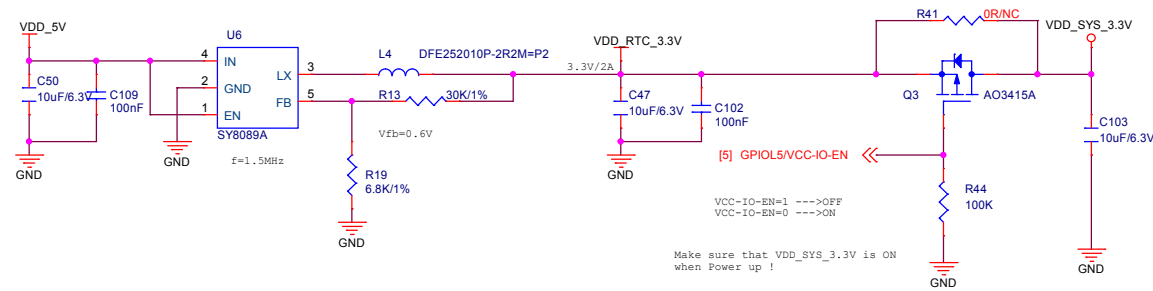
POWER 02



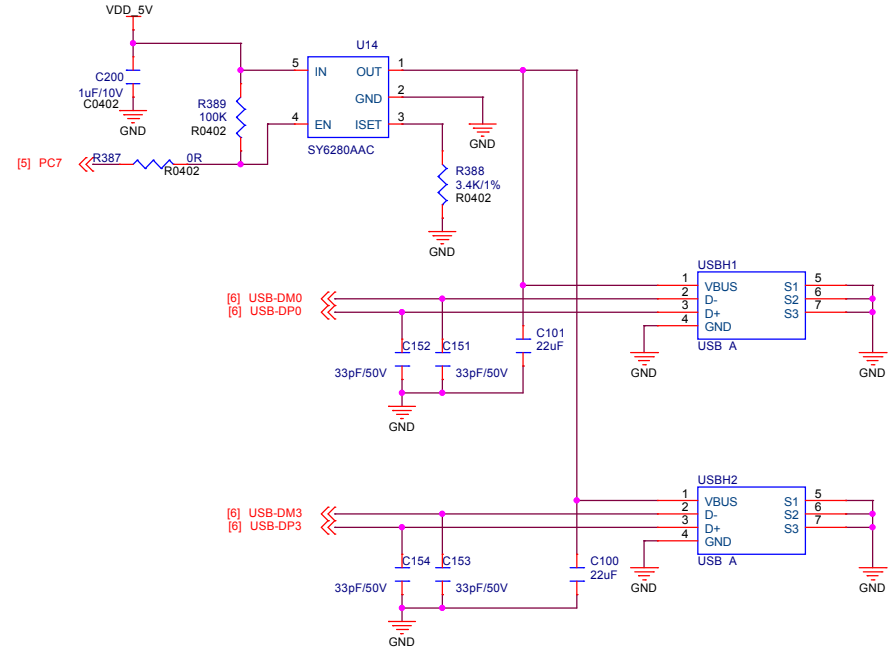
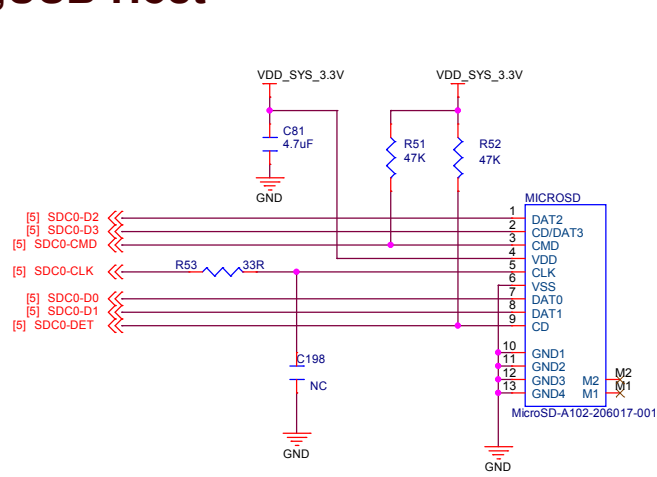
VCC-AVCC 3.3V/0.3A



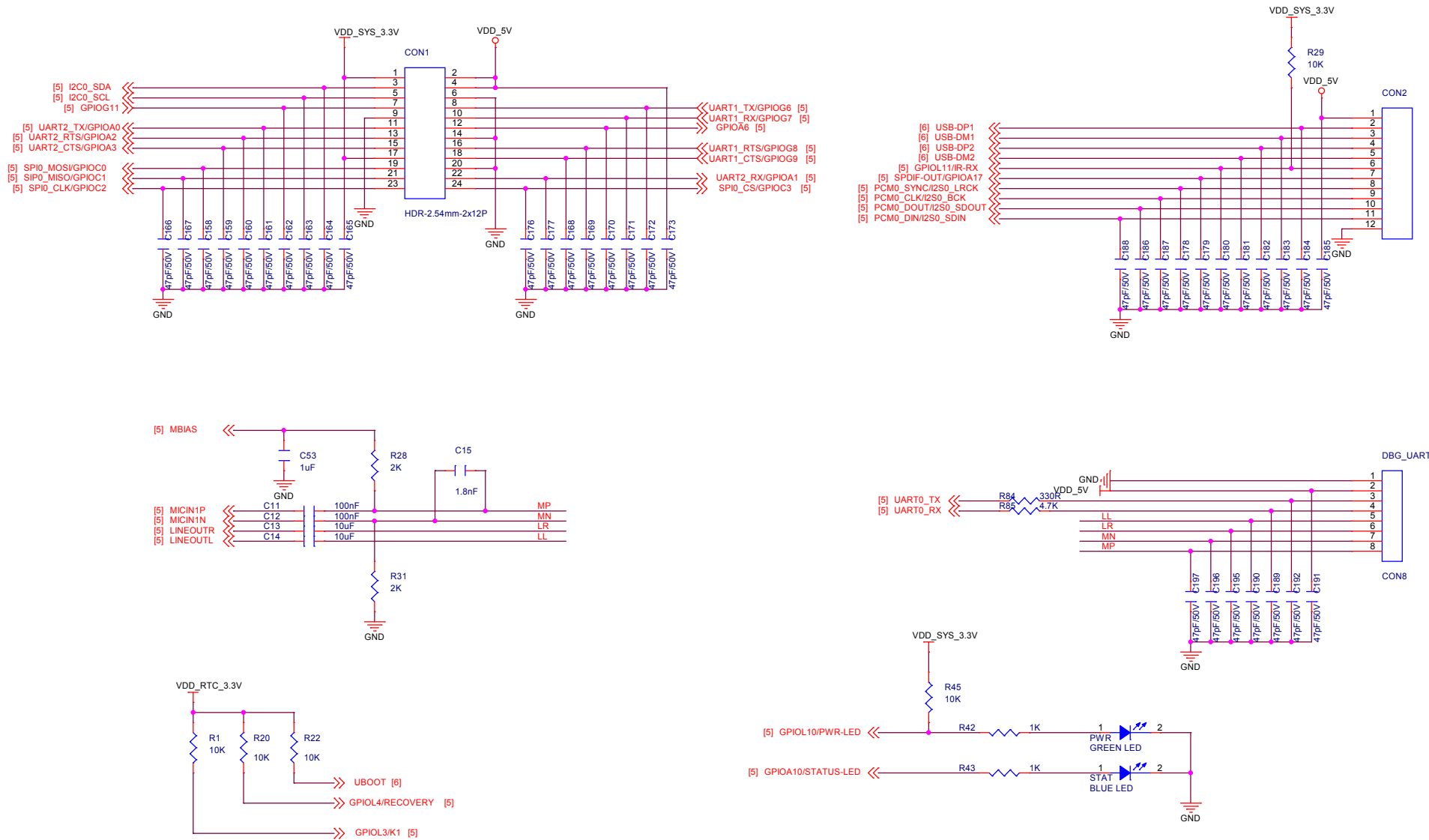
VCC-IO 3.3V/2A

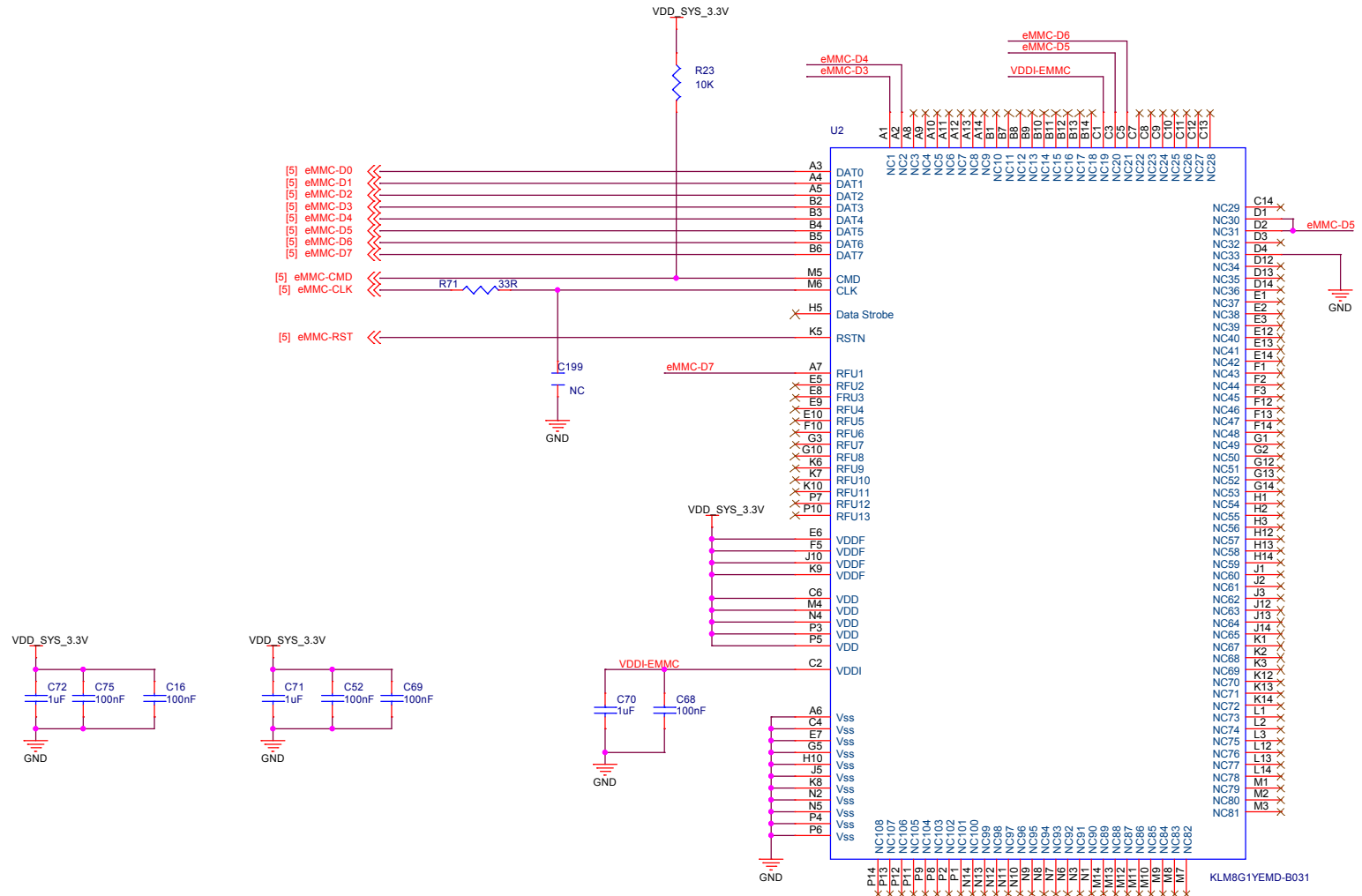


TF,USB Host



GPIO,LEDs,DBG_UART,AUDIO





10/100/1000M Ethernet

