

NanoPC-T3 Plus

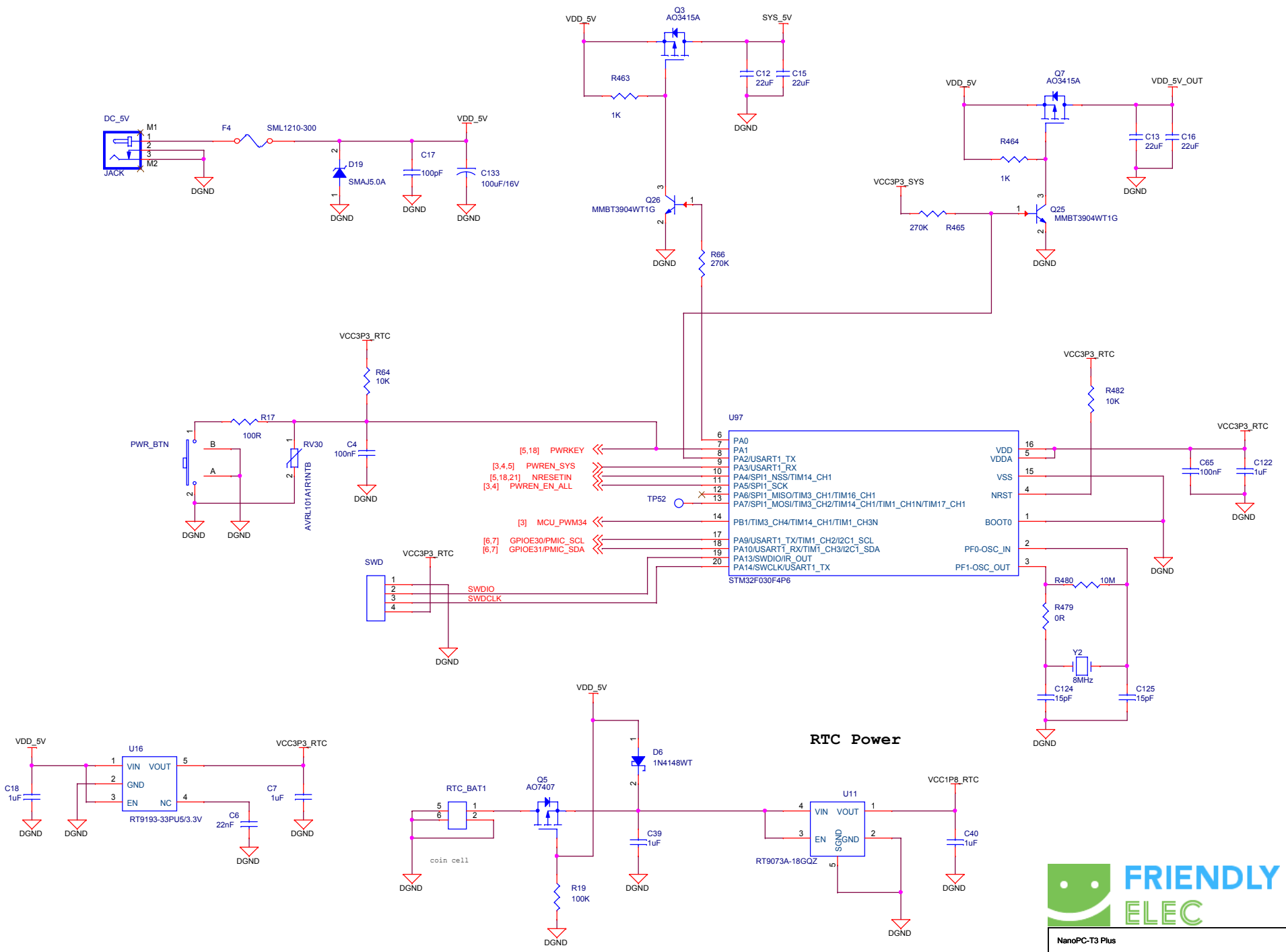
1709

2020/01/13:

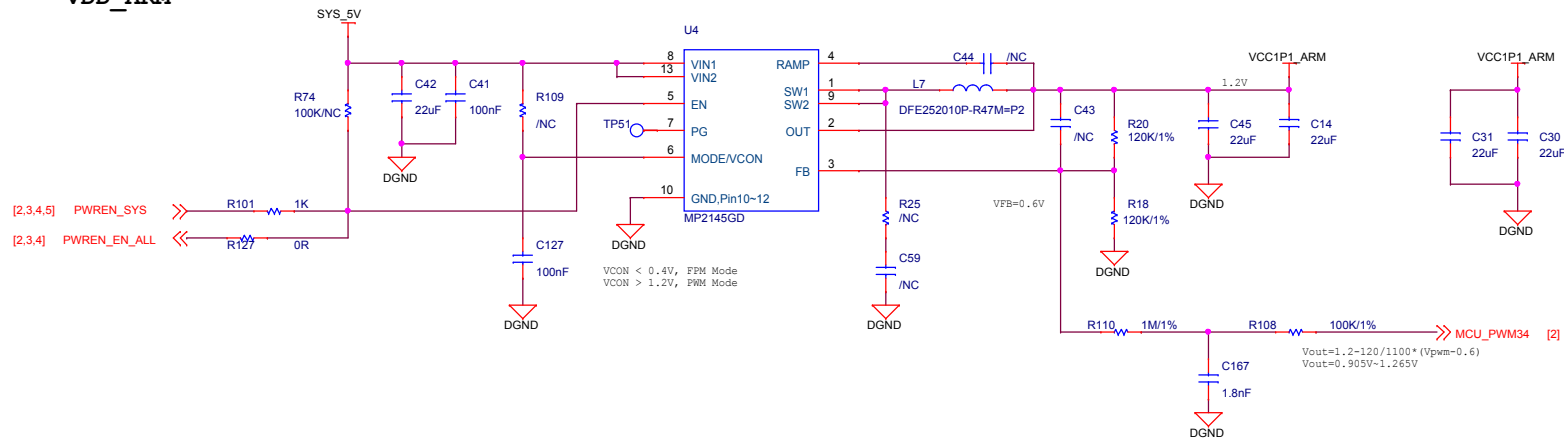
R463 -> 1K, R486 -> 270K, R465 -> 270K, R464 -> 1K, R109 -> NC, C127 -> 10K



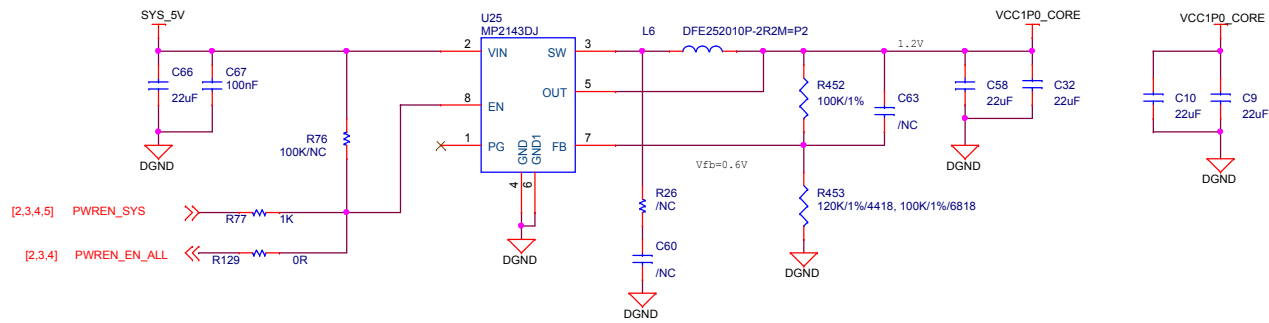
NanoPC-T3 Plus		
Size	Document Number	Rev
A3	01.Title	1709
Date:	Monday, January 13, 2020	Sheet 1 of 21

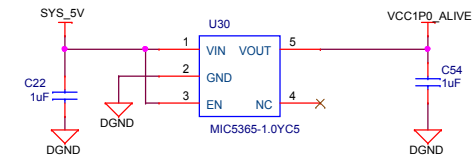
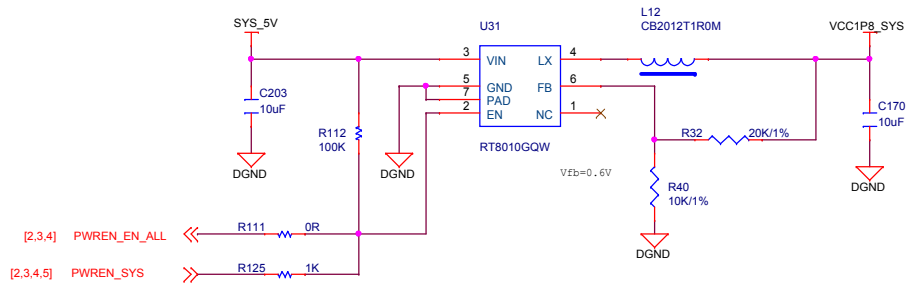
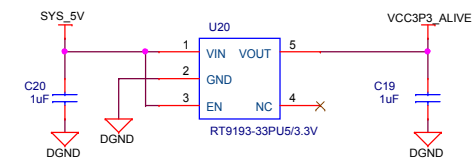
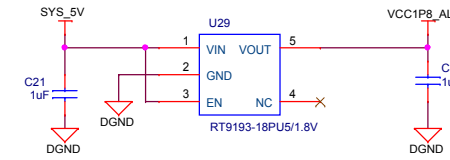
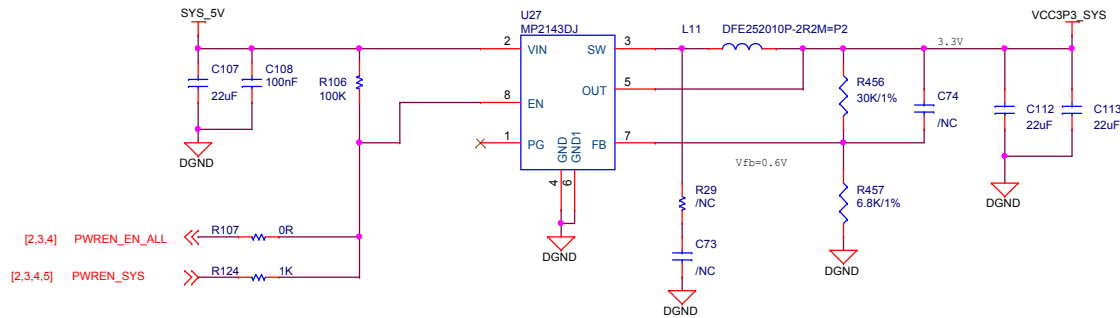
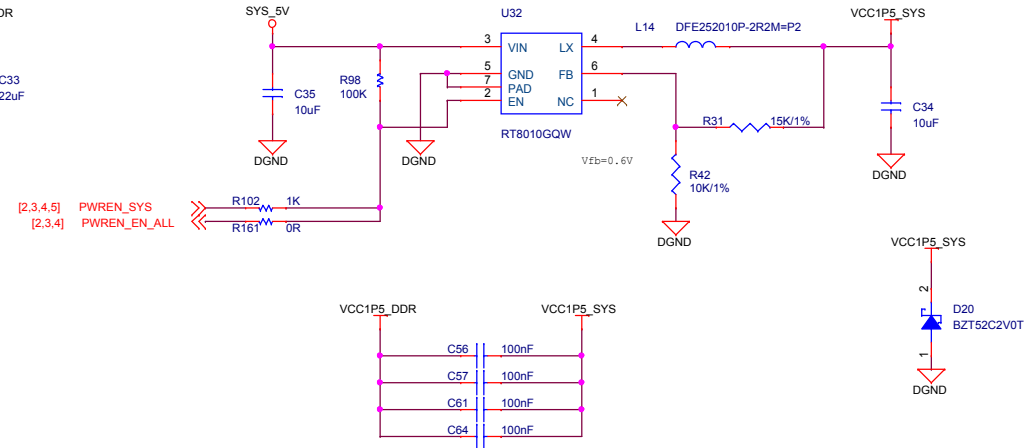
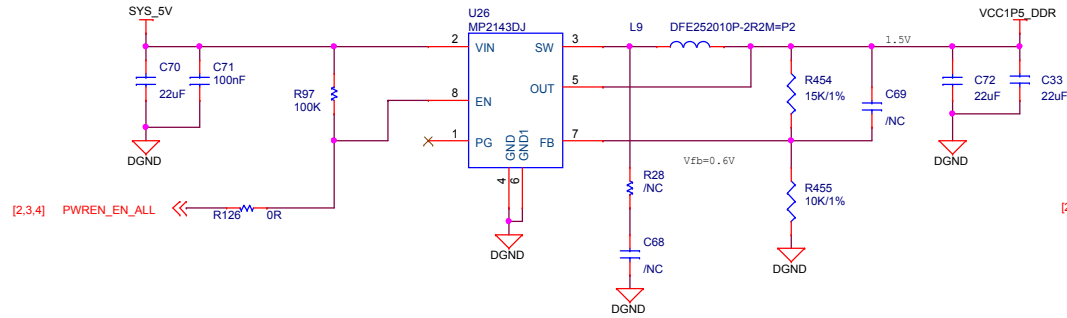


VDD_ARM

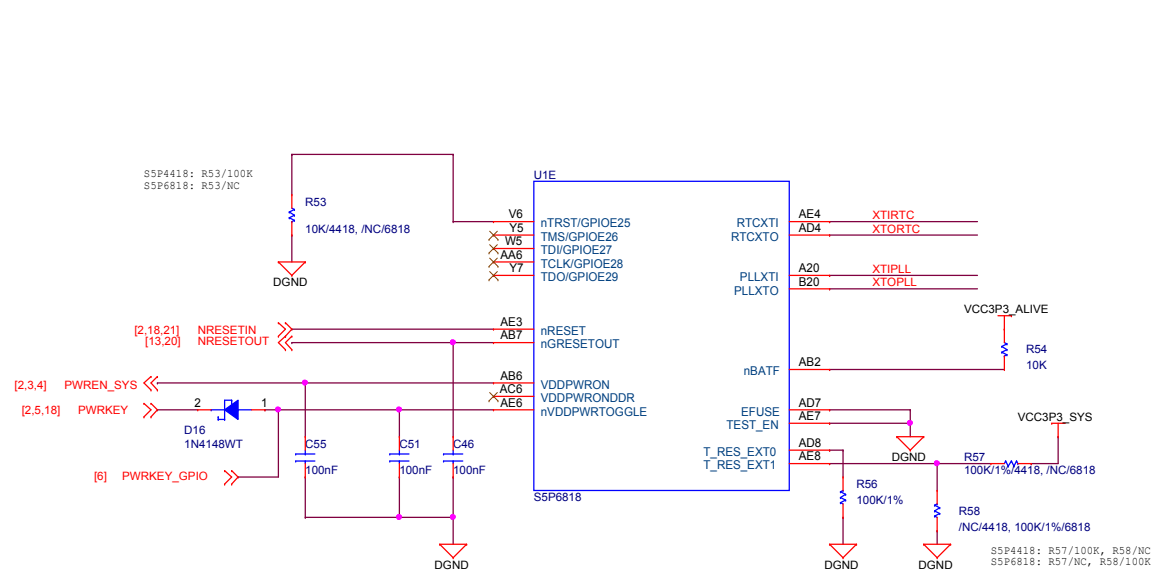


VDD_CORE

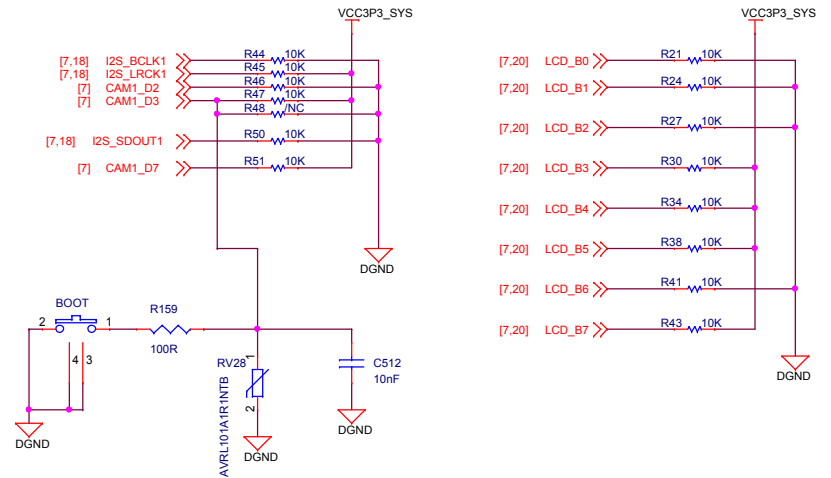




System Reset, Clocks



Boot Mode Config

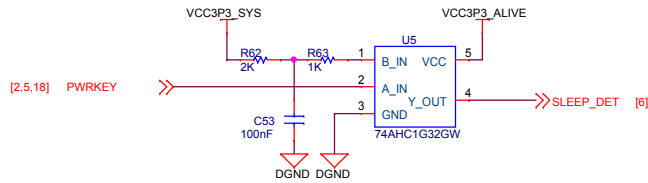
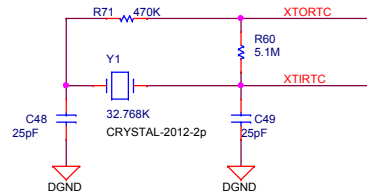
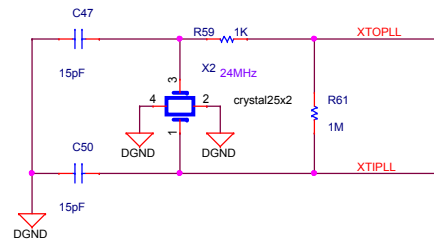


BOOT MODE OPTION

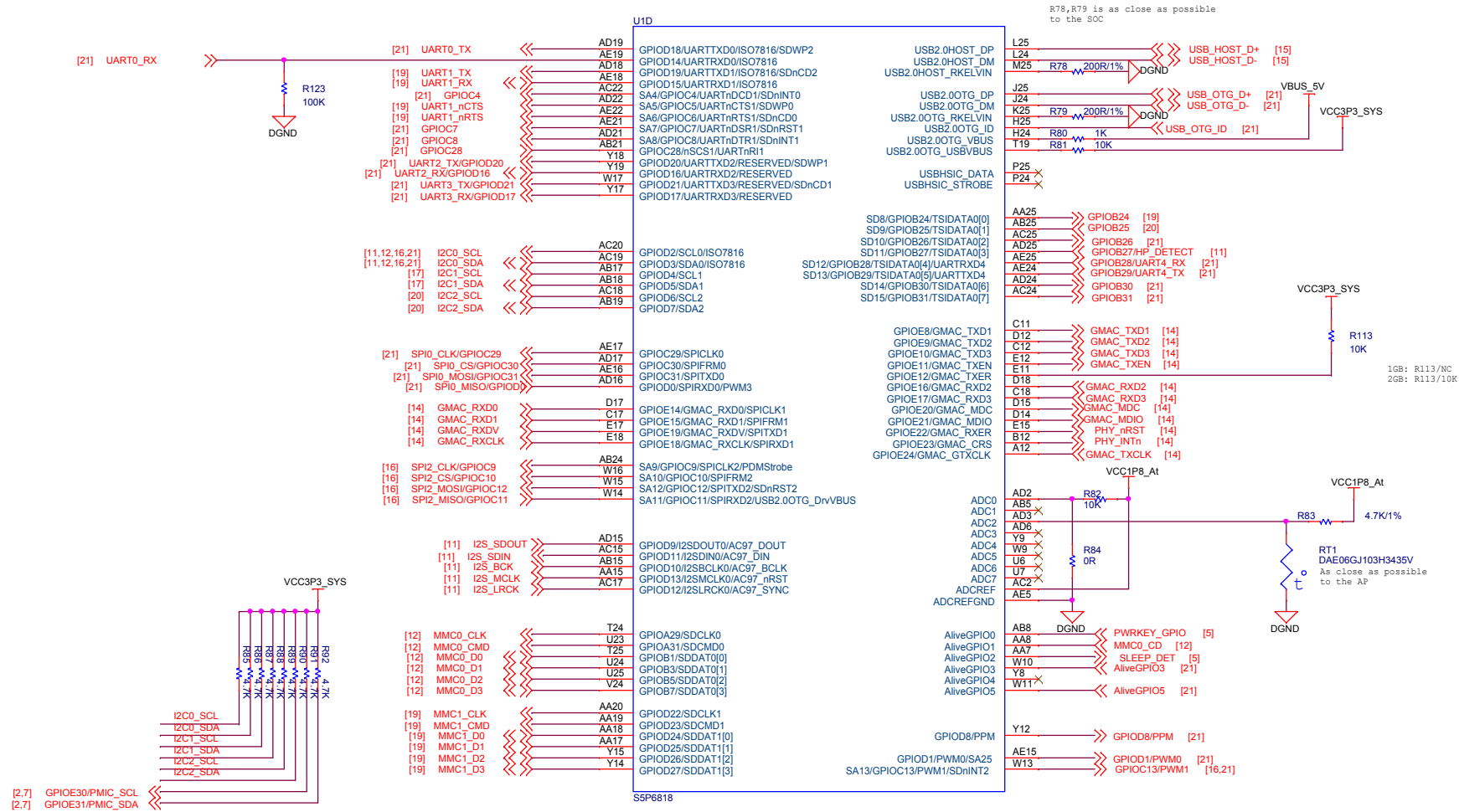
	eMMC	SPI	USB	NAND
SD0	HIGH	LOW	LOW	HIGH
SD1	LOW	LOW	HIGH	HIGH
SD2	HIGH	HIGH	HIGH	HIGH
SD4	LOW	HIGH		
SD5	LOW	LOW		

Boot media port select (SPI, eMMC)

	CH0	CH1	CH2
SD3	LOW	HIGH	LOW
CAM1_D3	LOW	LOW	HIGH



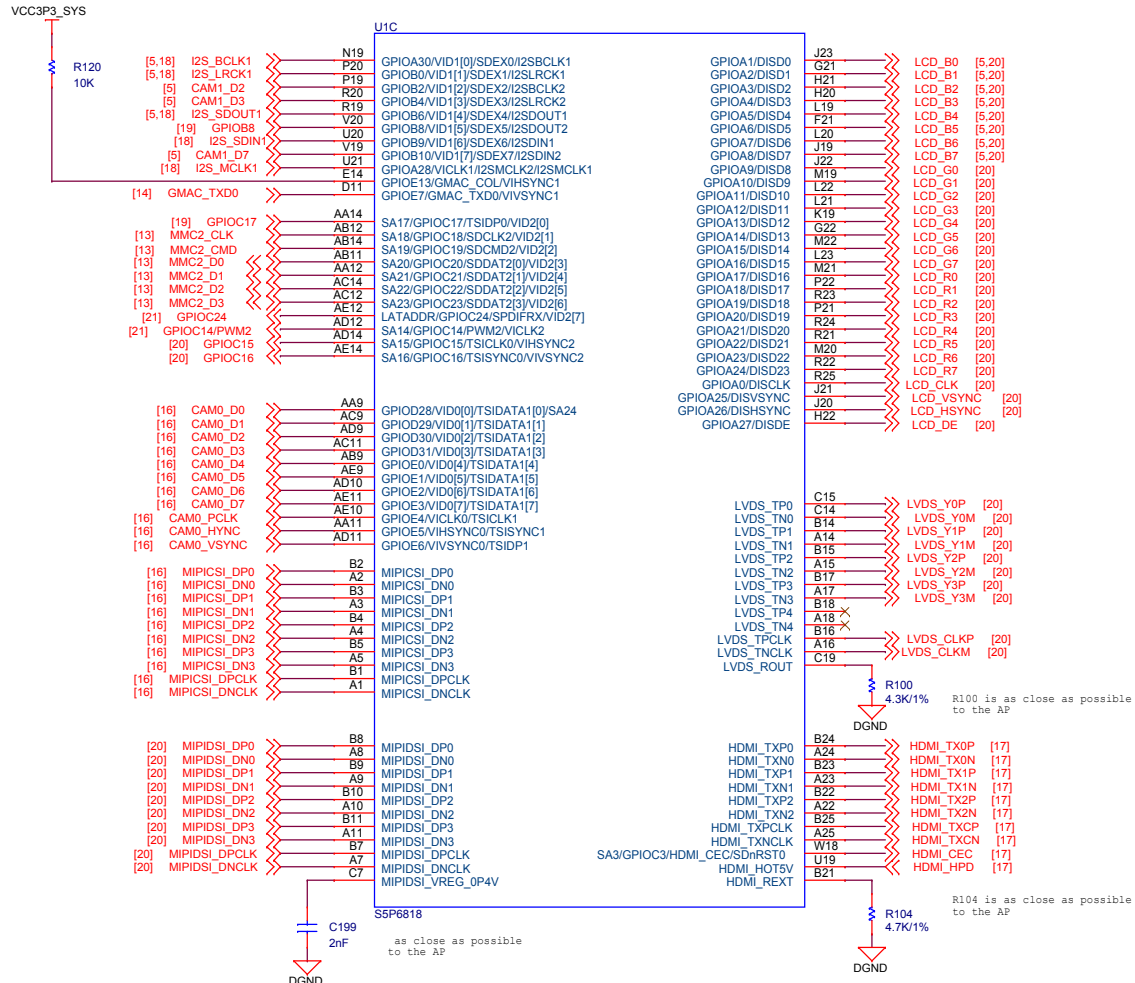
AP Peripherals



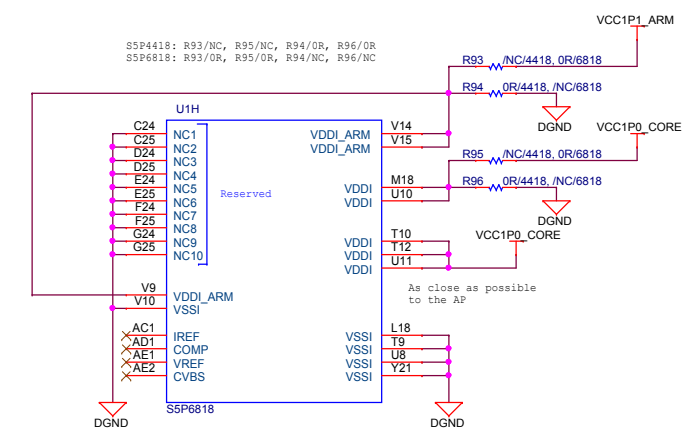
I2C CH0 : Camera
 I2C CH1 : HDMI EDID
 I2C CH2 : Touch
 PMIC_I2C : PMIC



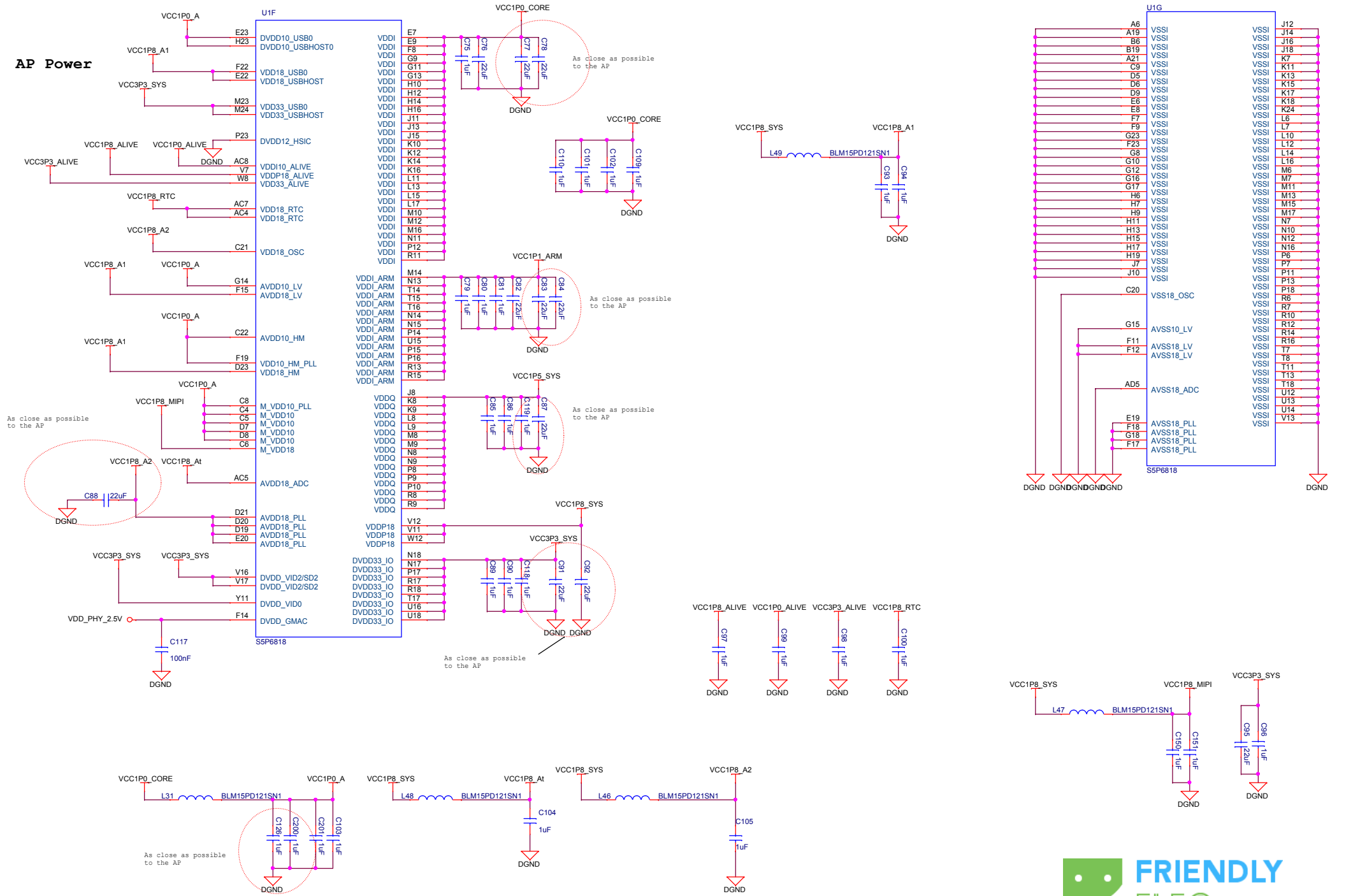
AP VIP&Display

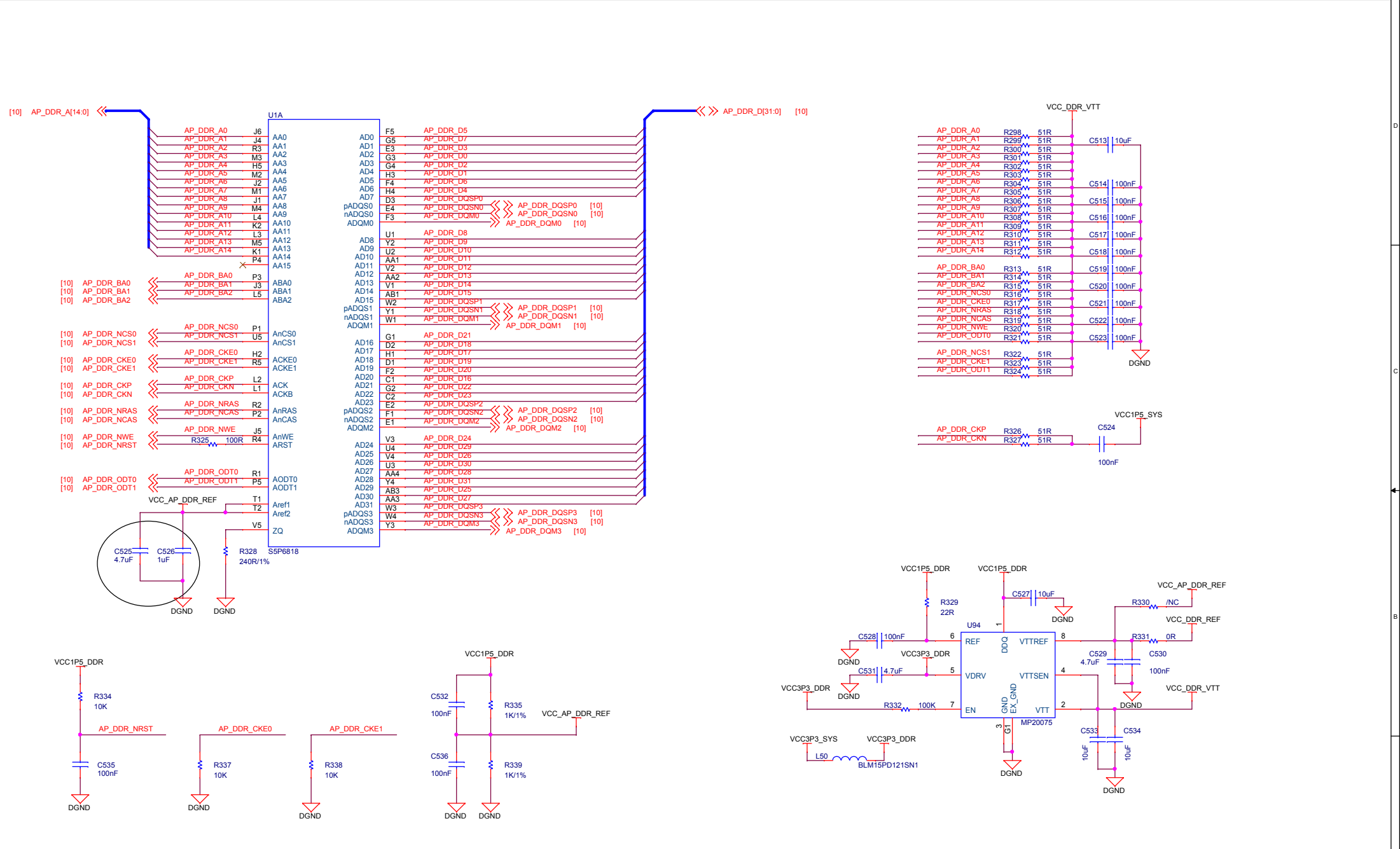


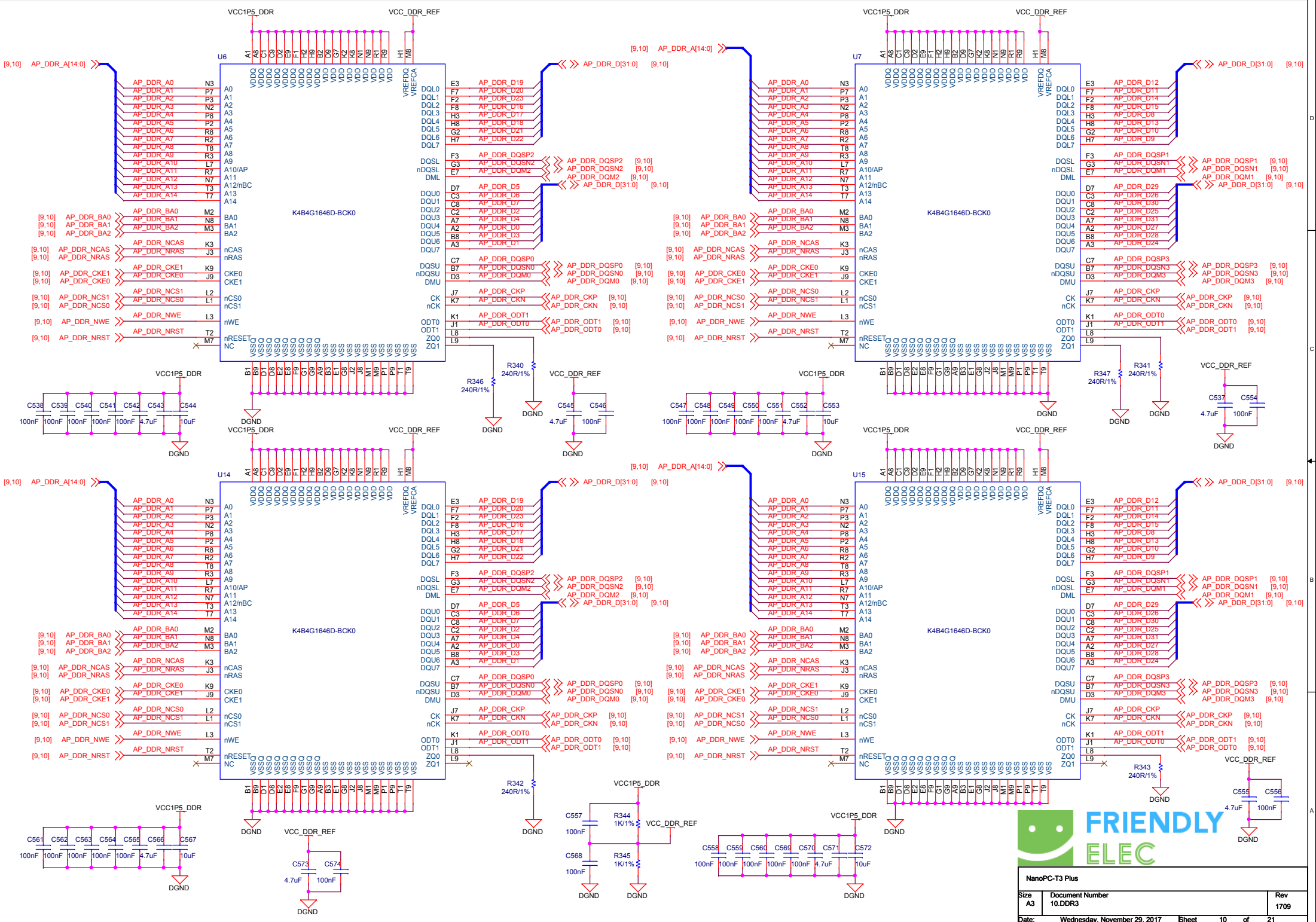
Reserved Function



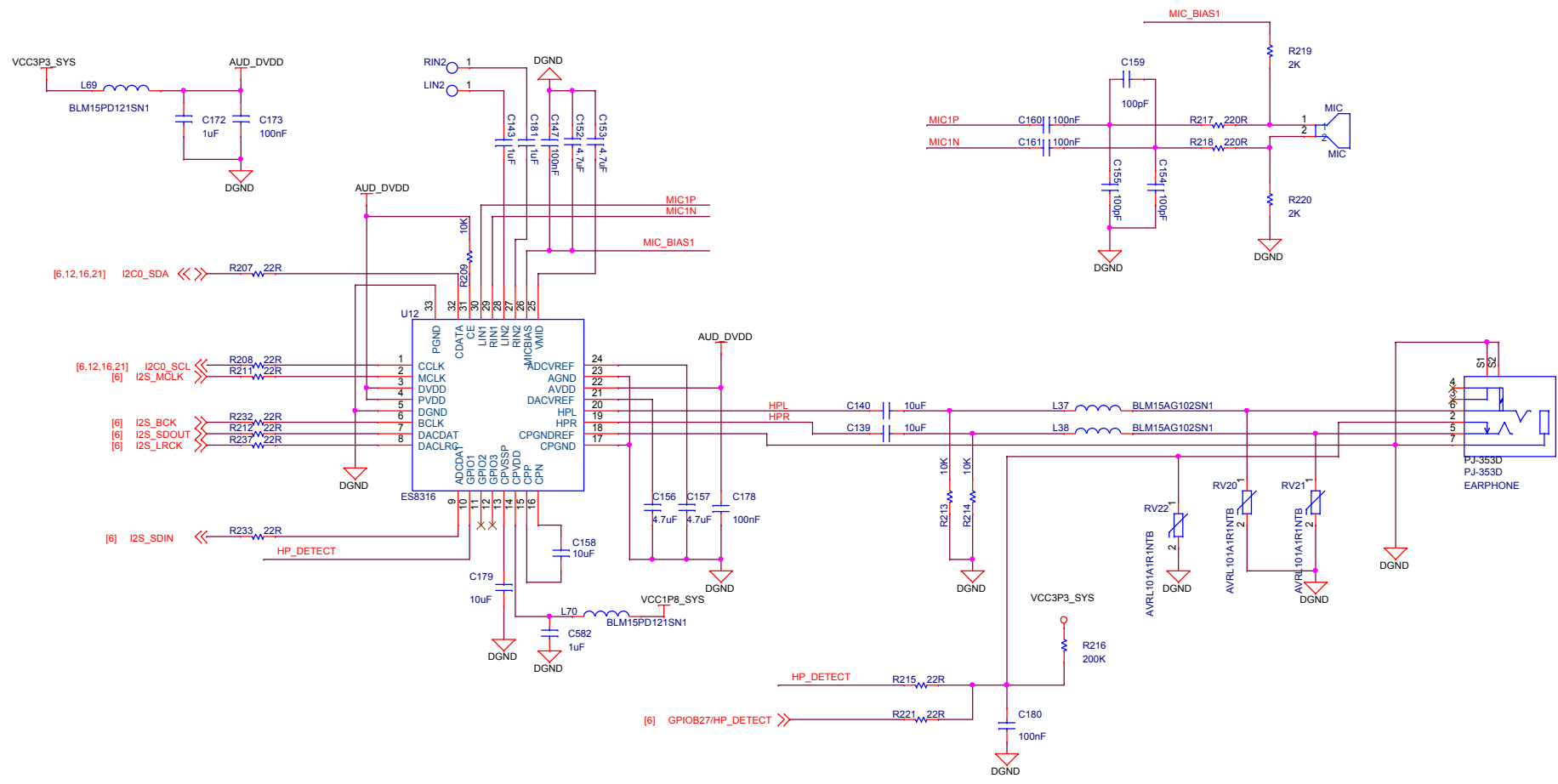
AP Power



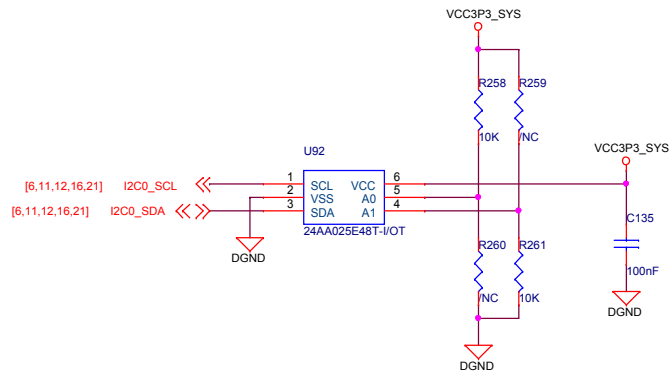




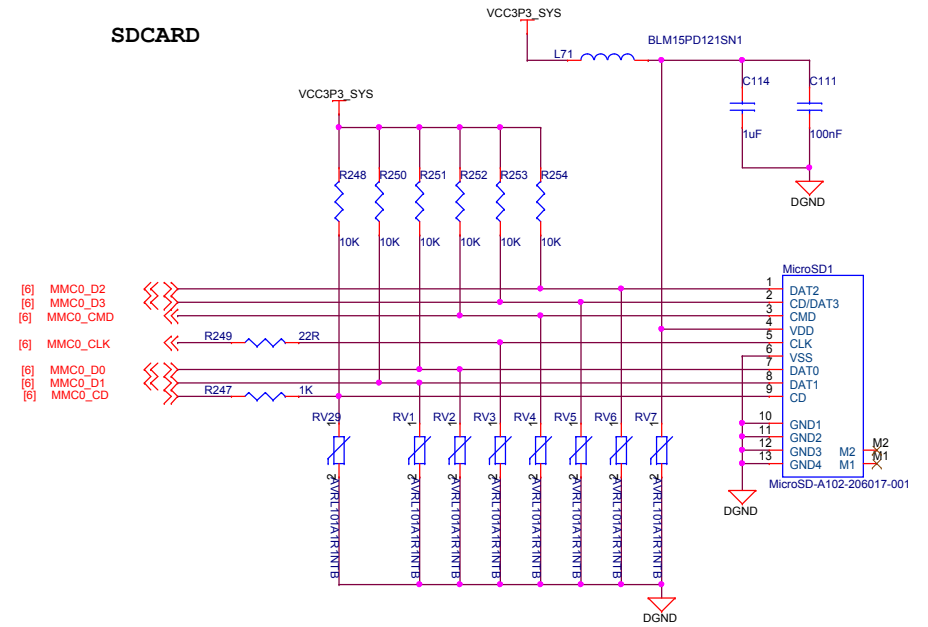
Audio



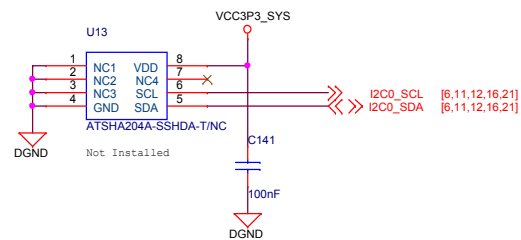
EEPROM with MAC Address



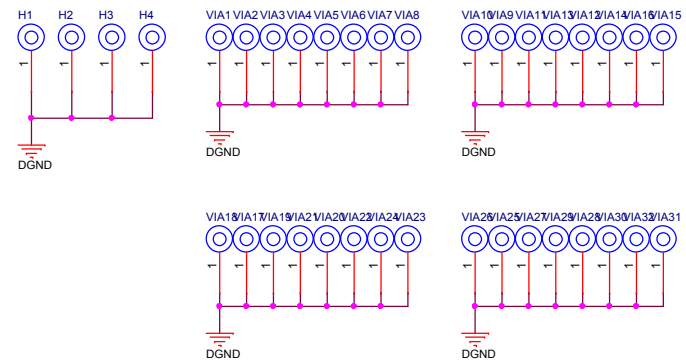
SDCARD



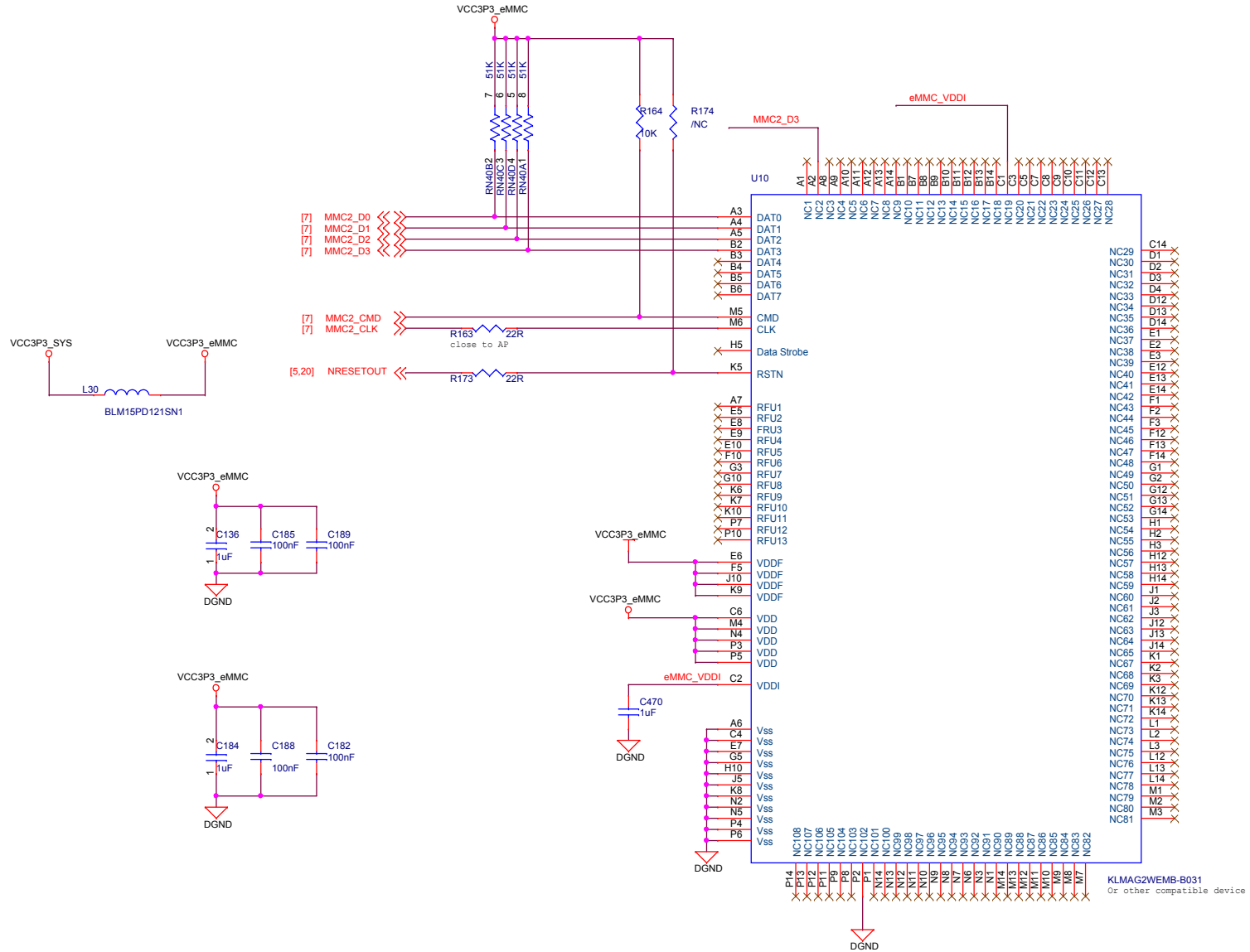
CryptoAuthentication



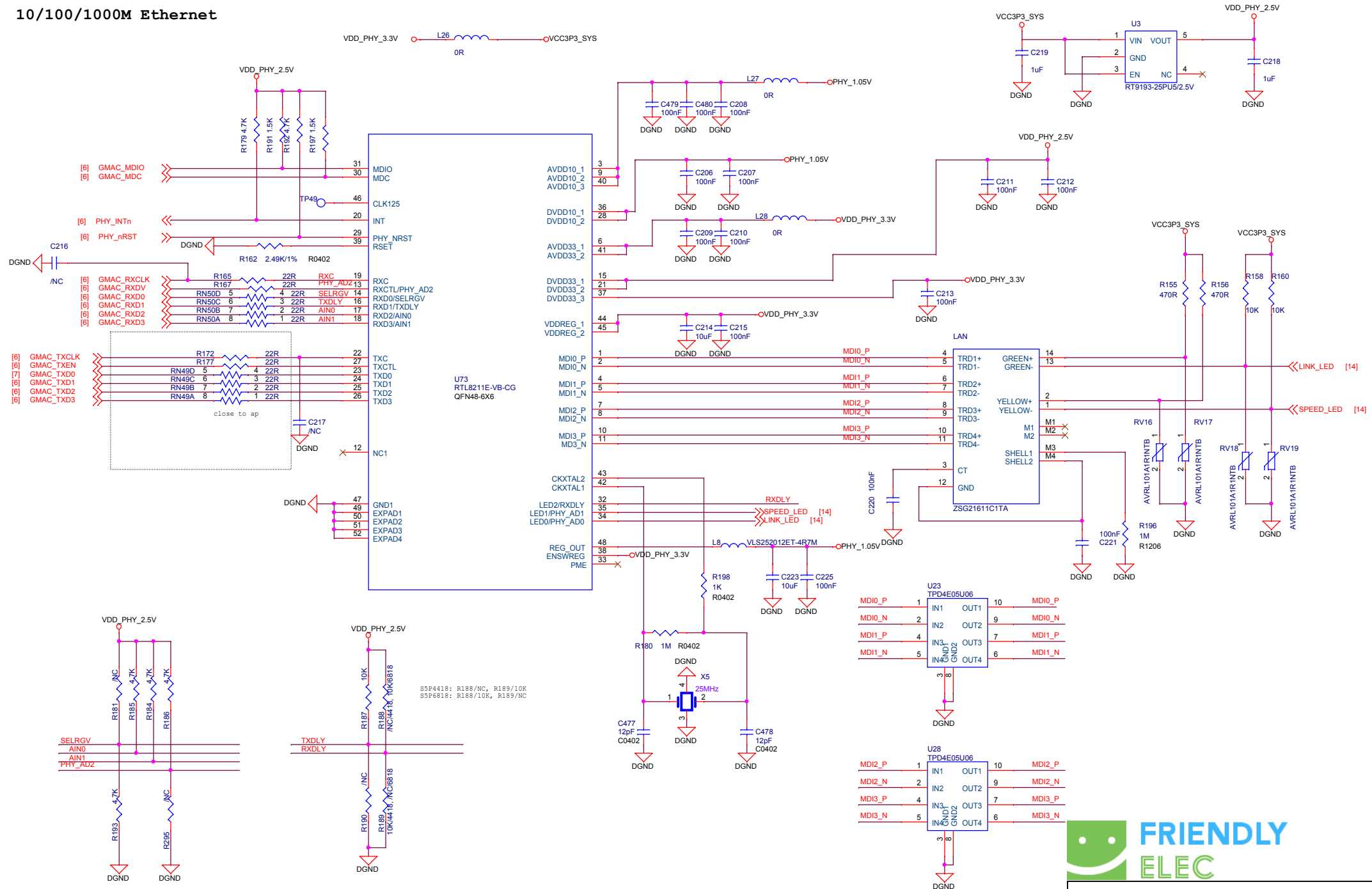
Mounting Holes



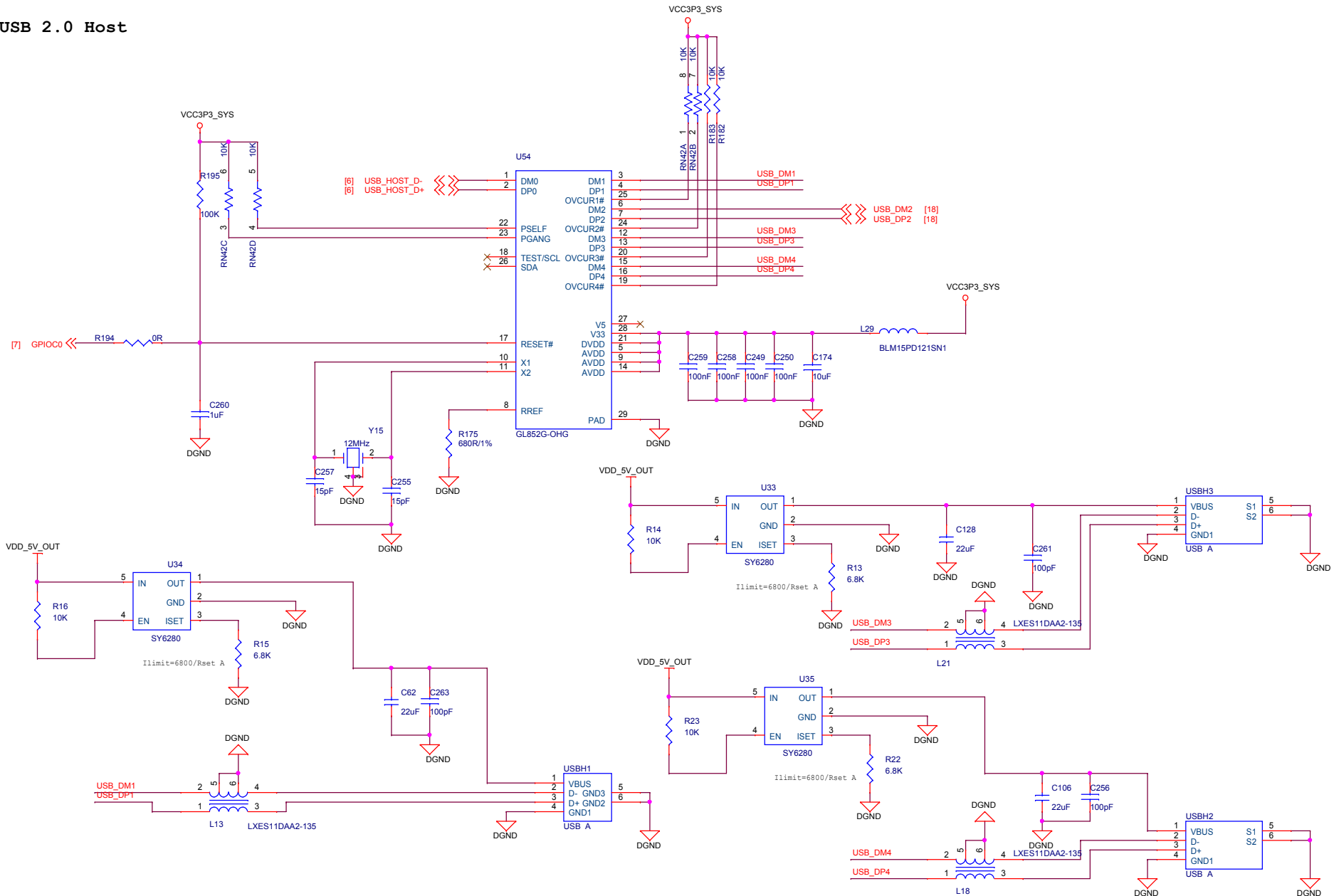
eMMC



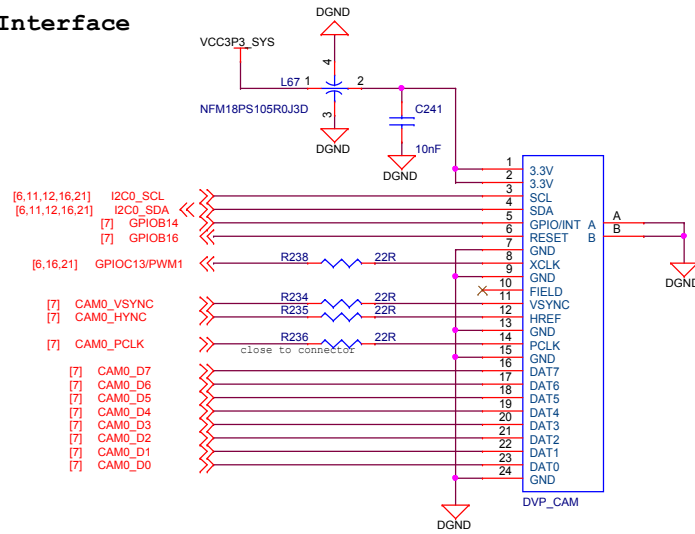
10/100/1000M Ethernet



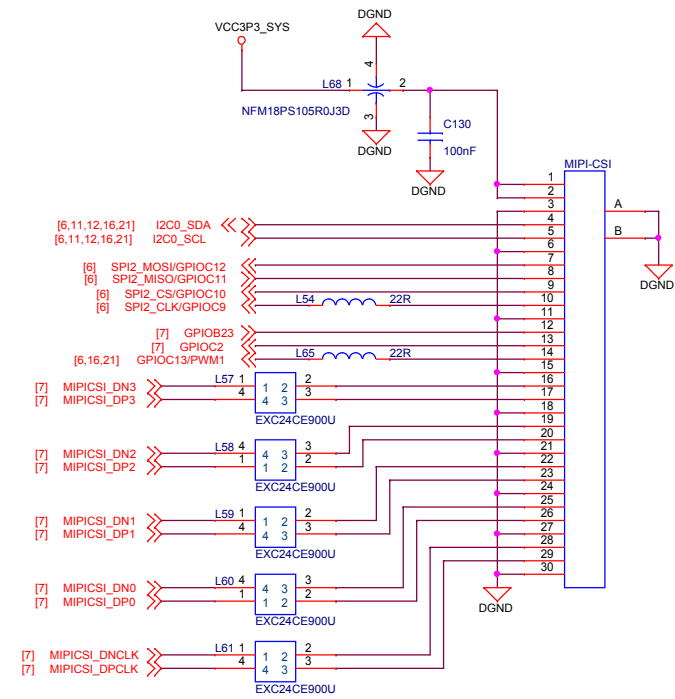
USB 2.0 Host



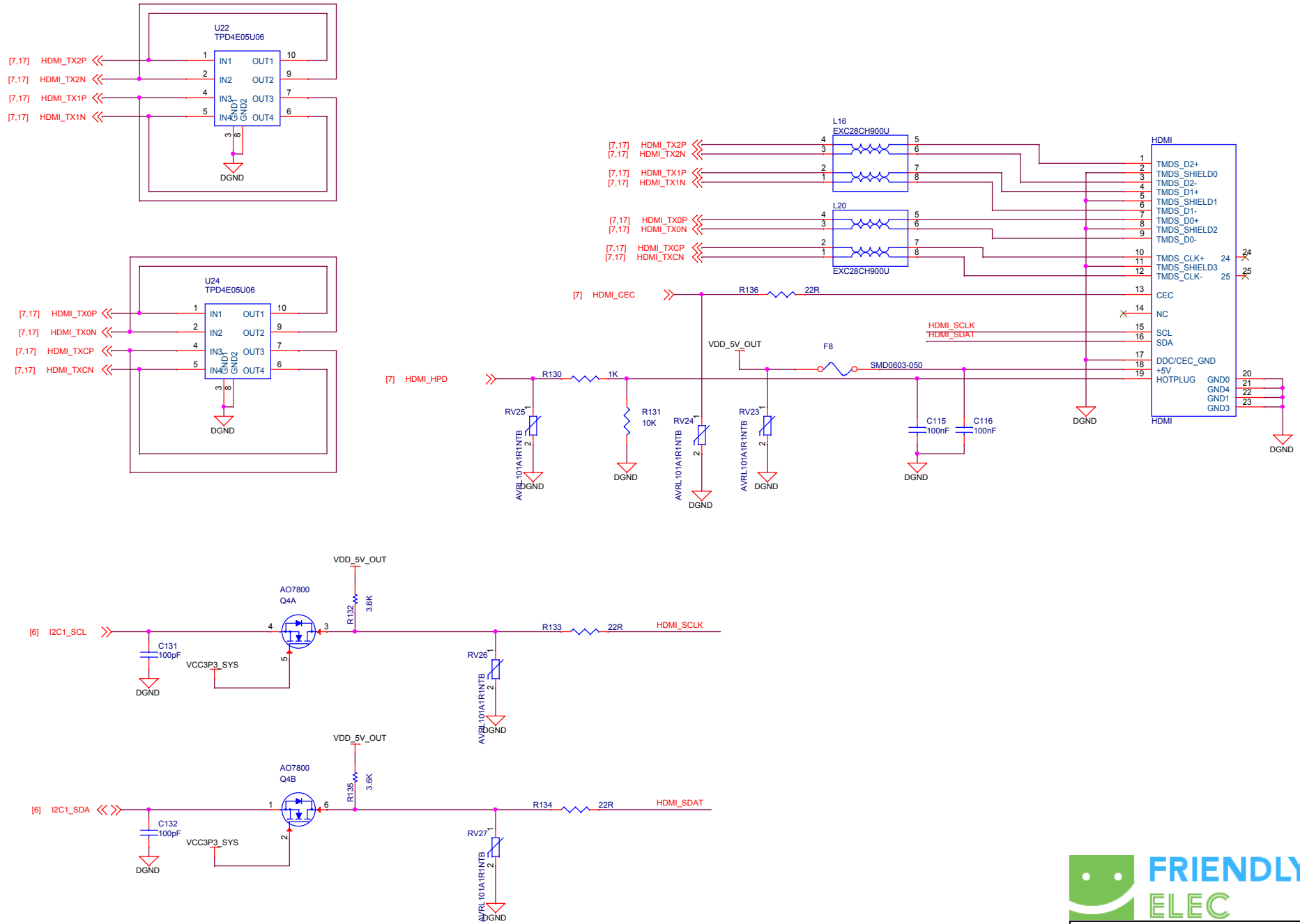
Camera Interface

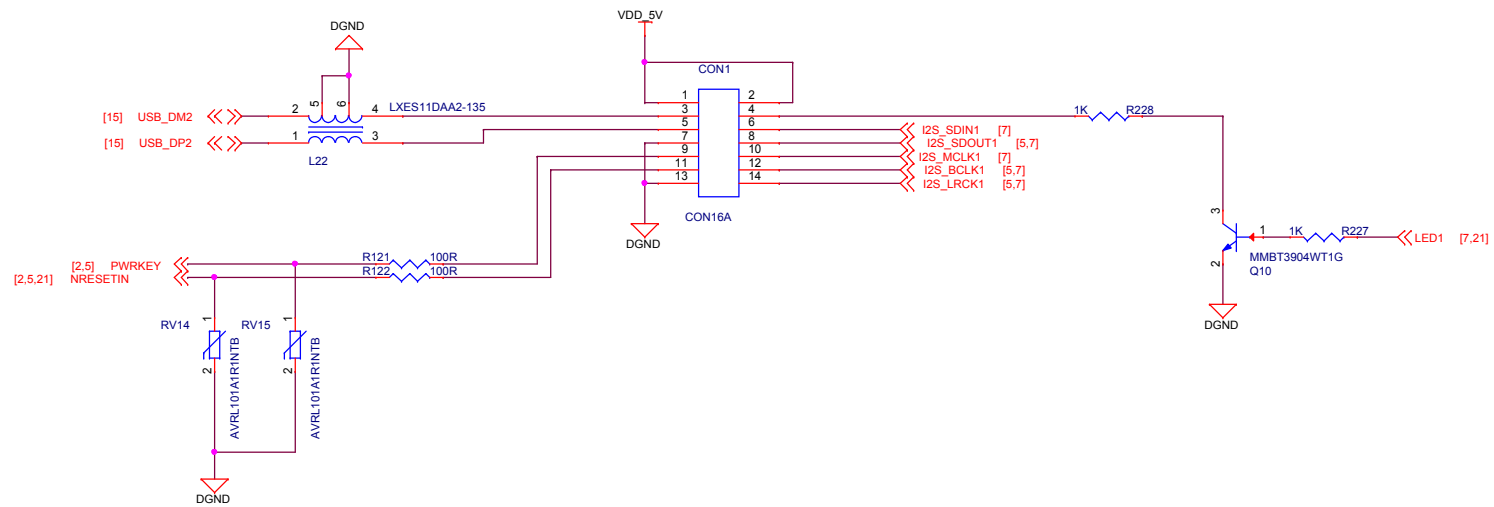
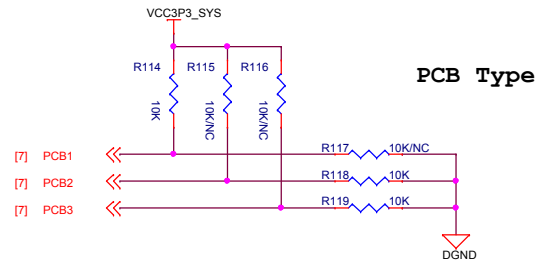


MIPI CSI

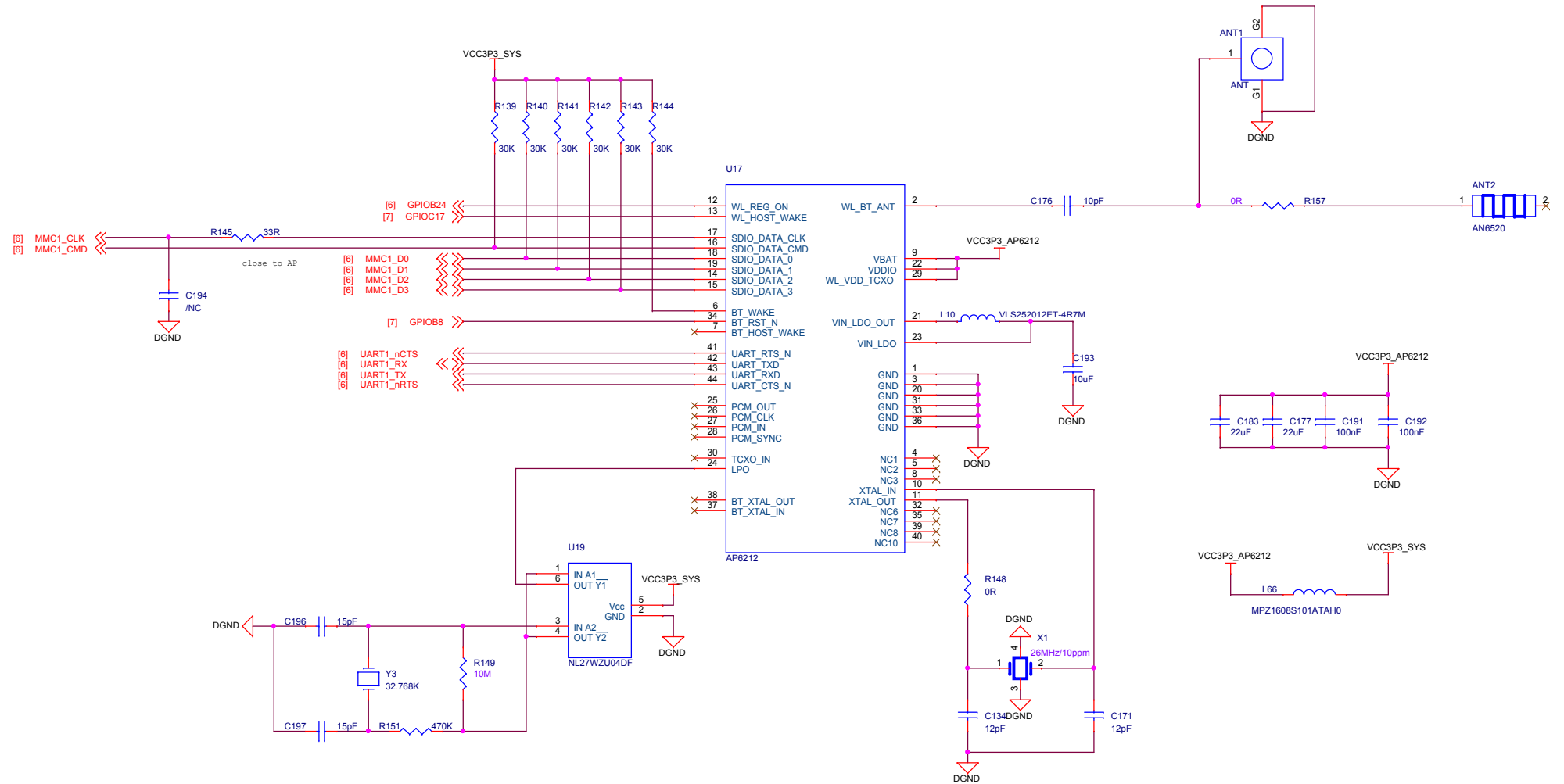


HDMI

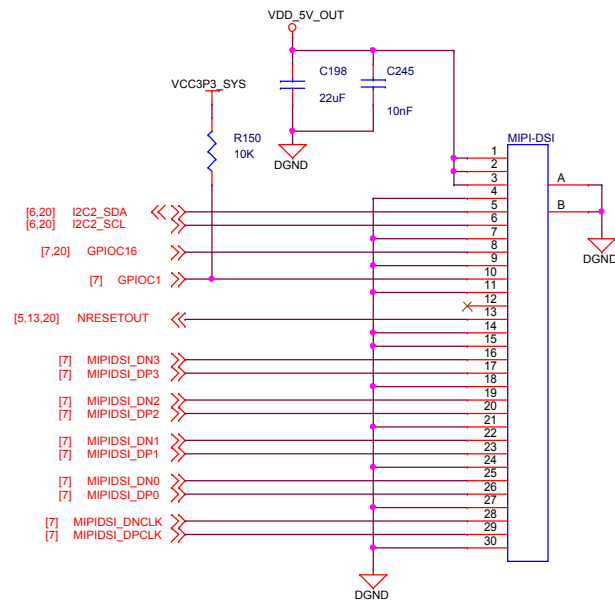




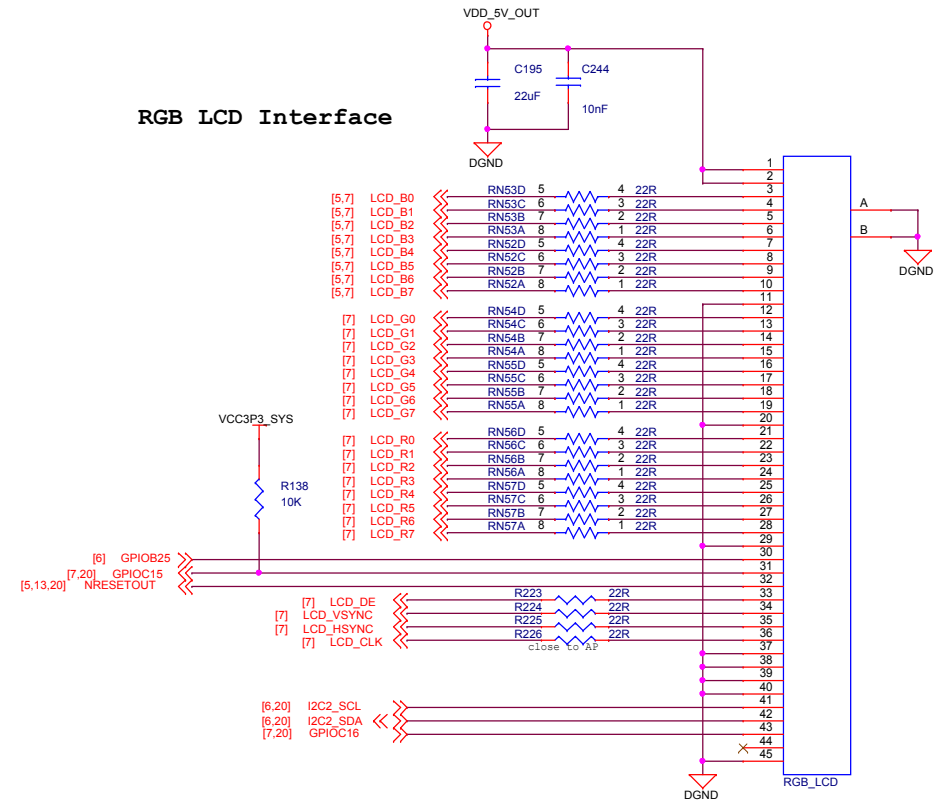
Wi-Fi/Bluetooth



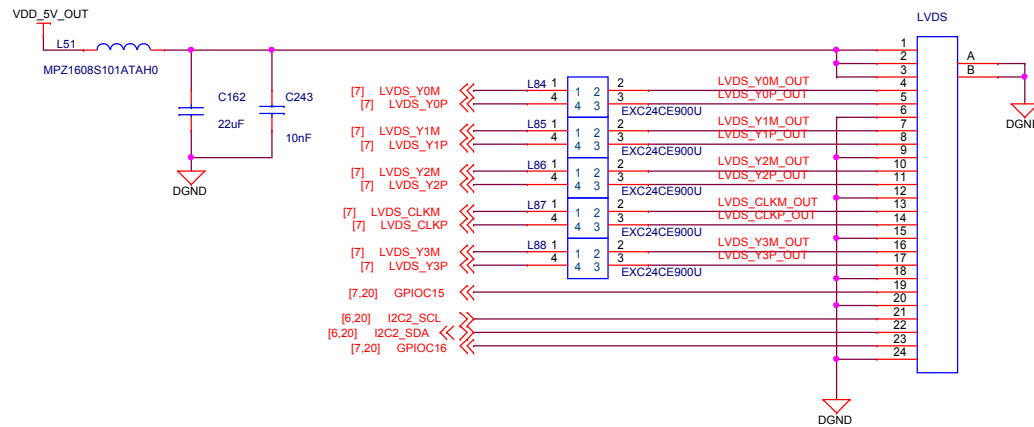
MIPI DSI Interface



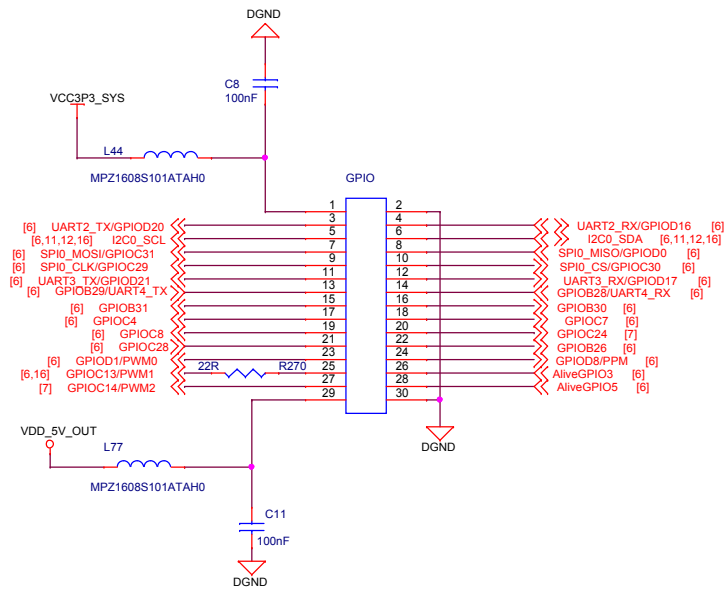
RGB LCD Interface



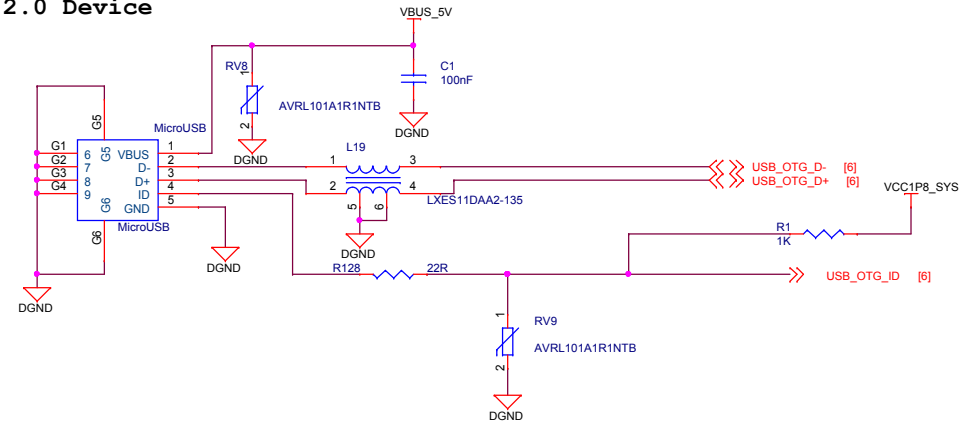
LVDS



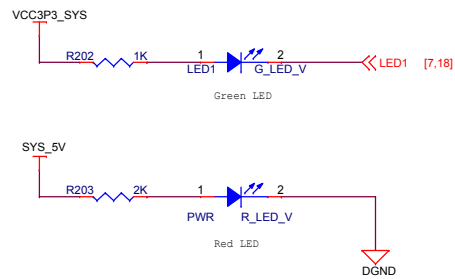
2.54mm Header



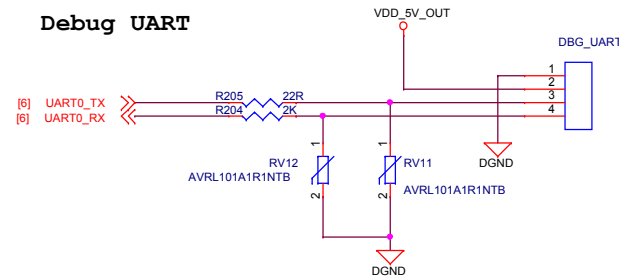
USB 2.0 Device



LEDs



Debug UART



RESET

