

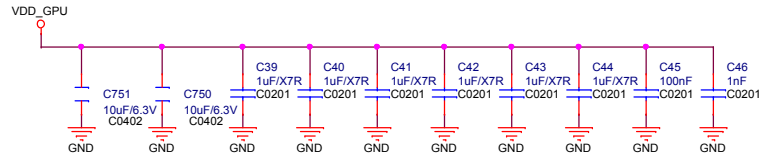
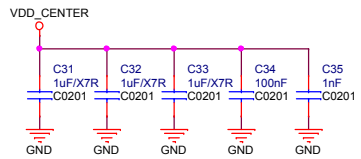
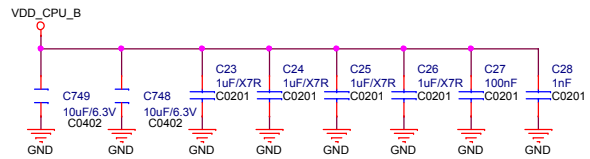
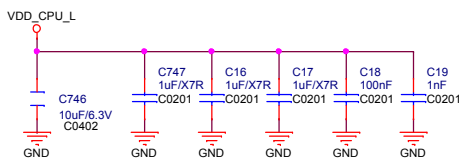
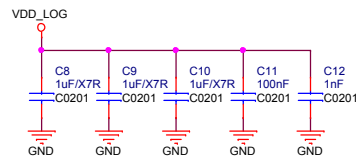
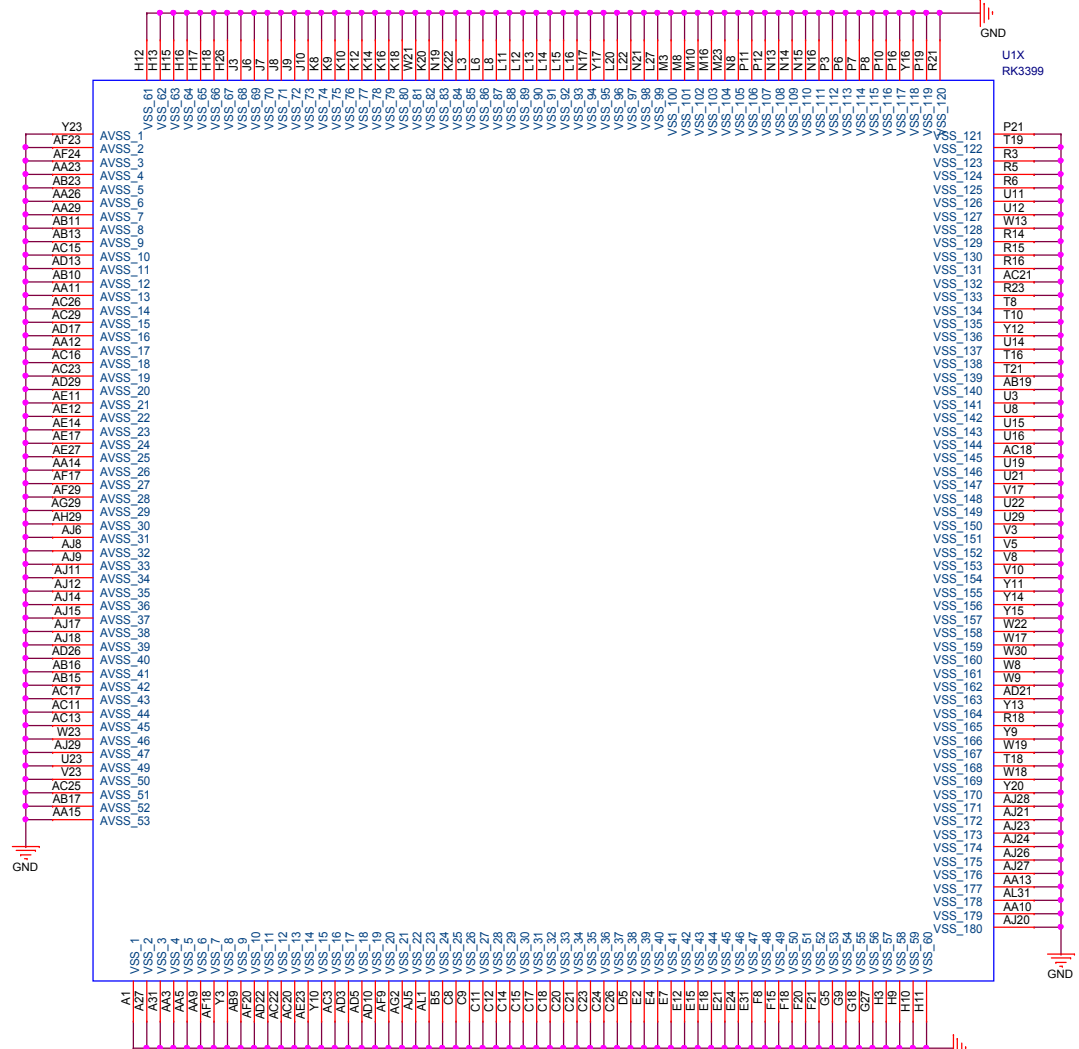
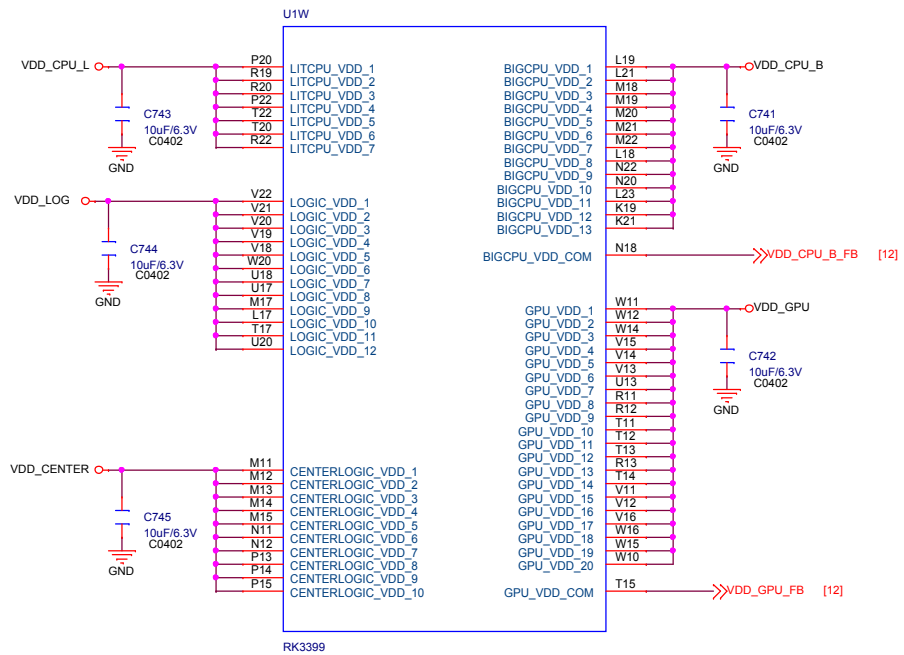
# NanoPi M4B

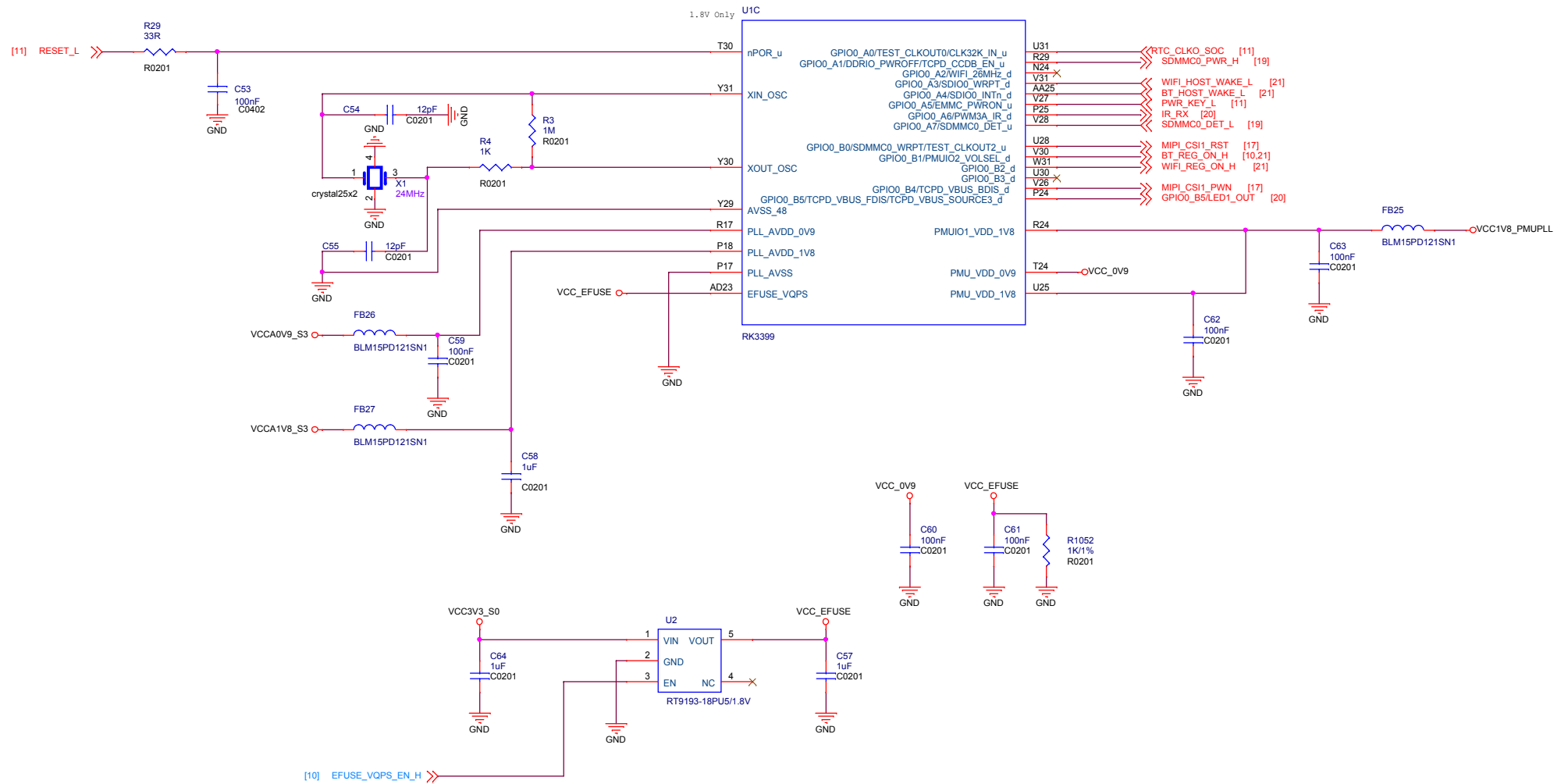
Revision 1909

I2C device list :  
I2C0 (3V), SYR838PKC, SYR837, RK808-D  
I2C1 (1.8V) CSI0, ALC5651,  
I2C2 (1.8V) CSI1  
I2C3 (3V)  
I2C4 (1.8V)  
I2C5  
I2C6  
I2C7 (1.8V) HDMI  
I2C8

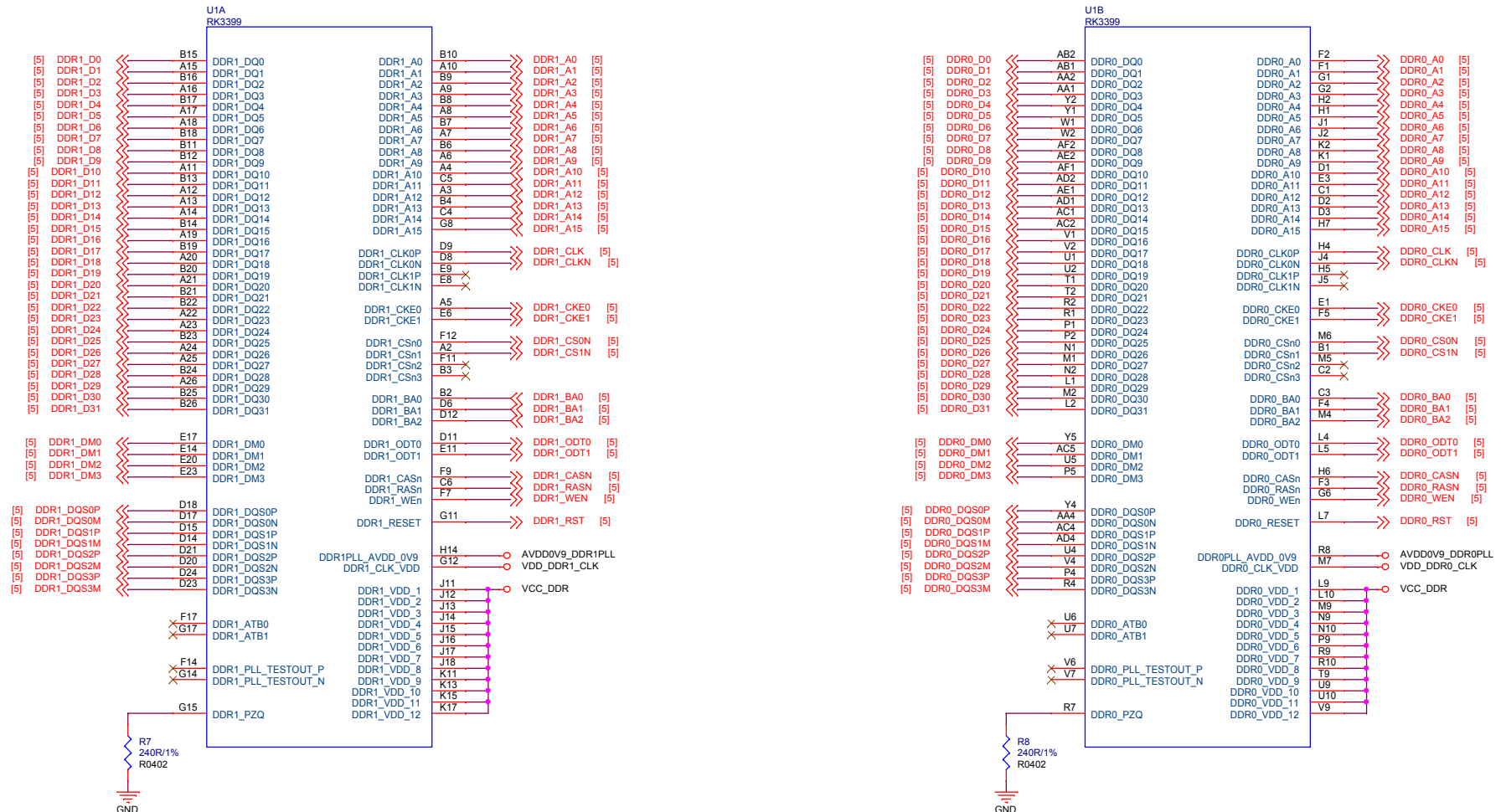


NanoPi M4B		
Size A3	Document Number 01.Title	Rev 1909
Date:	Tuesday, November 26, 2019	Sheet 1 of 23

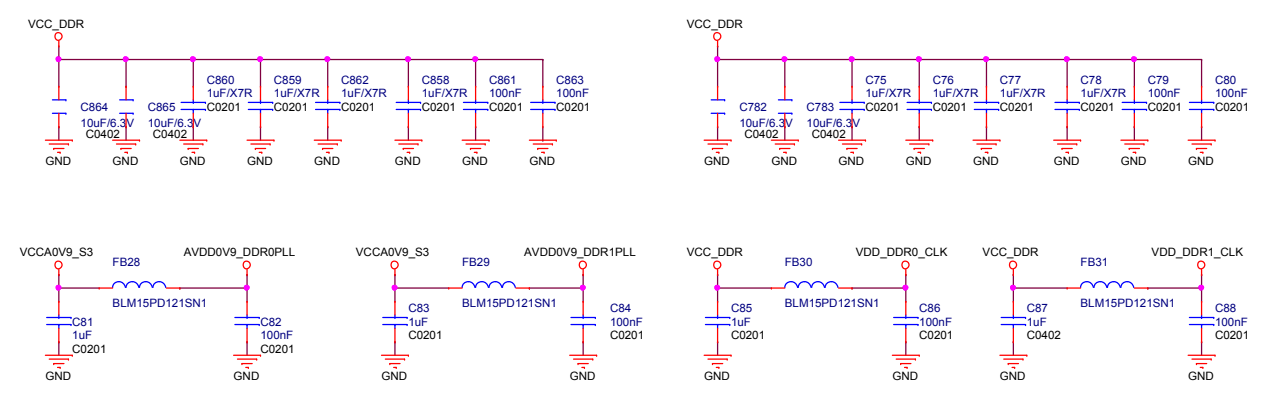


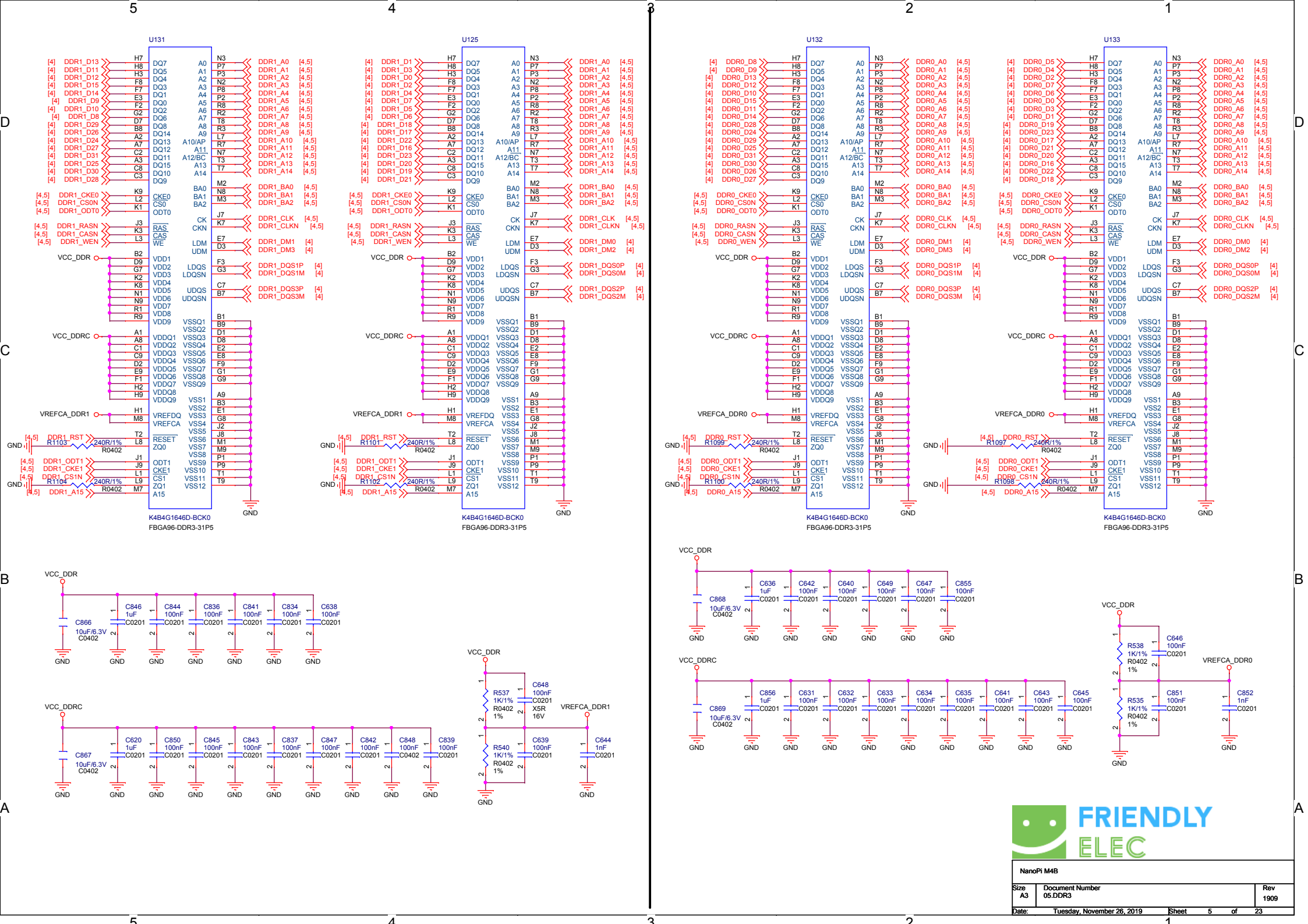


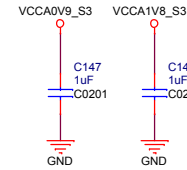
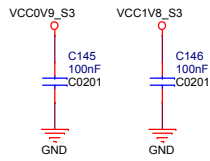
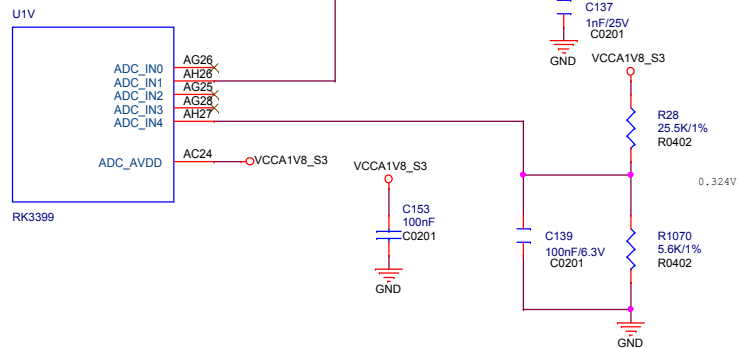
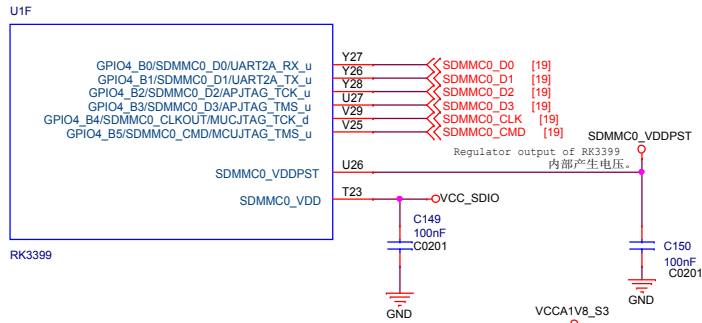
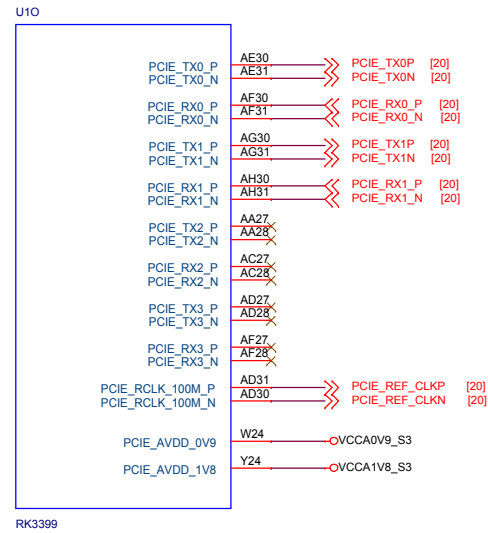
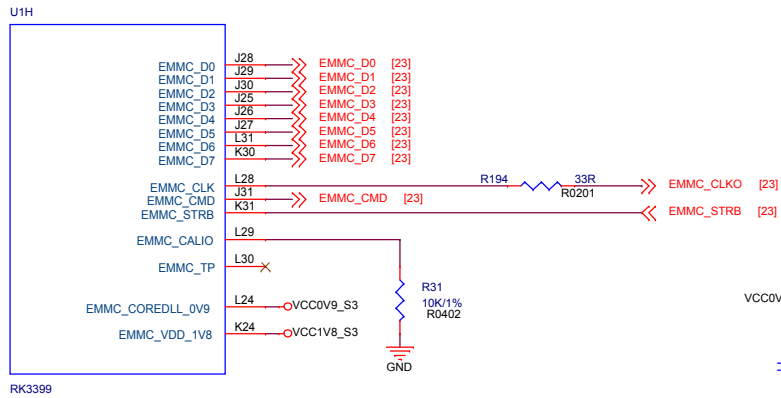
NanoPi M4B		
Size A3	Document Number 03.RK3399 PMU Controller	Rev 1909
Date: Tuesday, November 26, 2019	Sheet 3	of 23

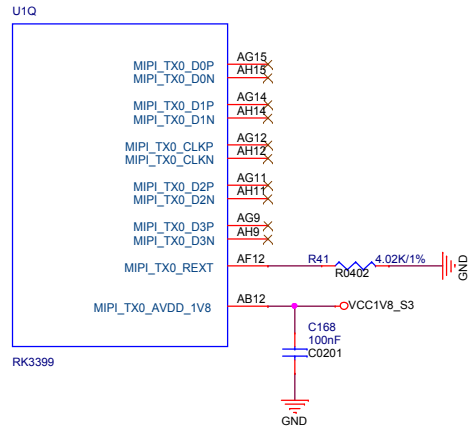
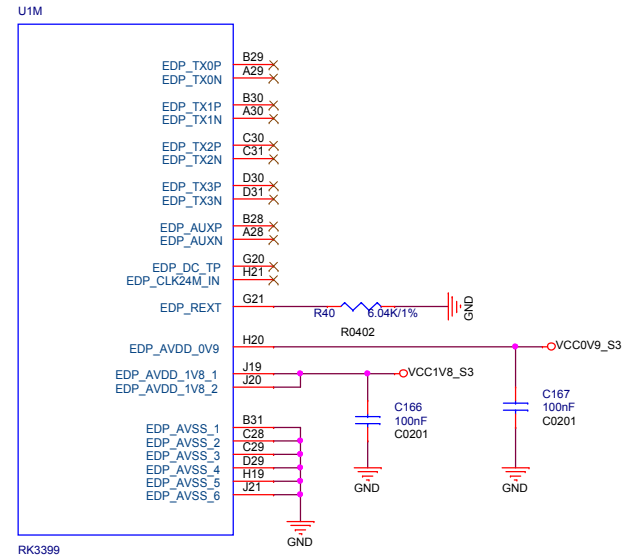
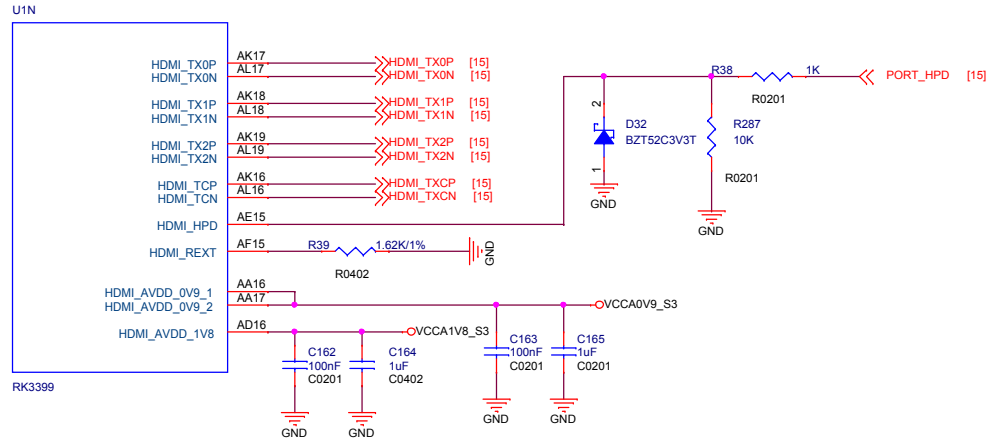


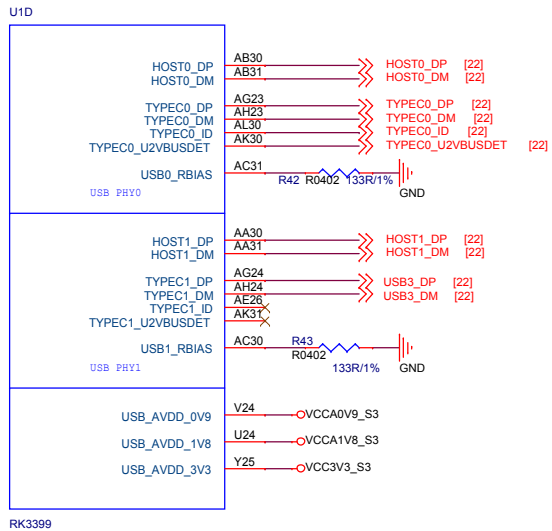
DDR FILTER



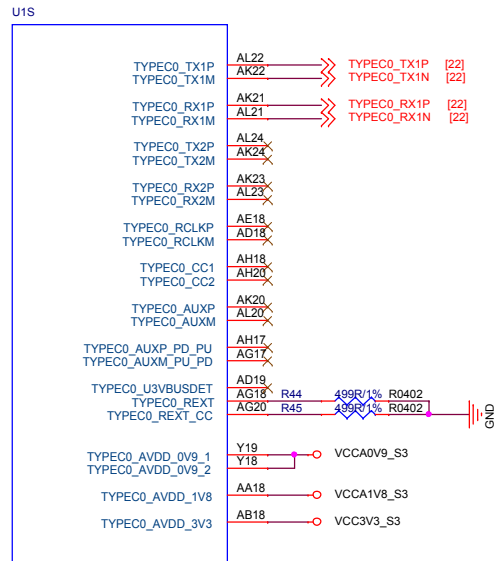
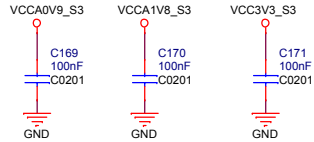




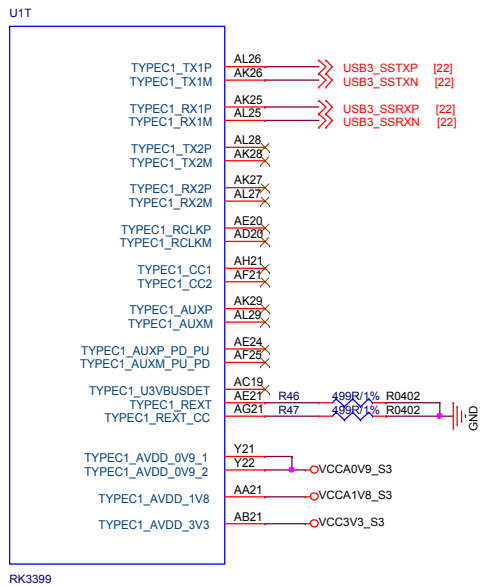
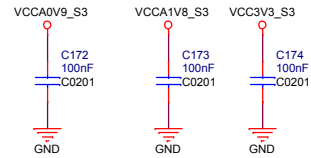




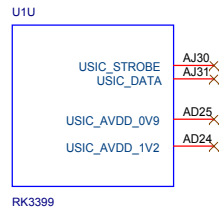
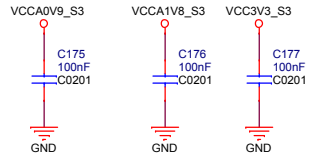
RK3399



RK3399



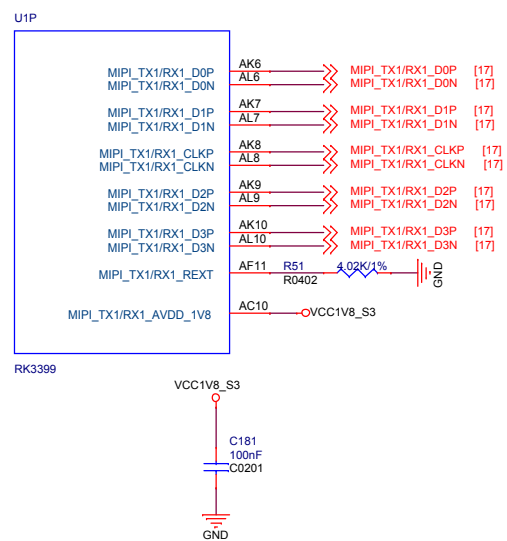
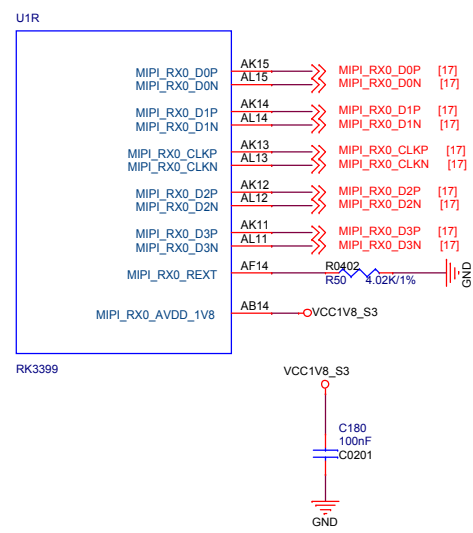
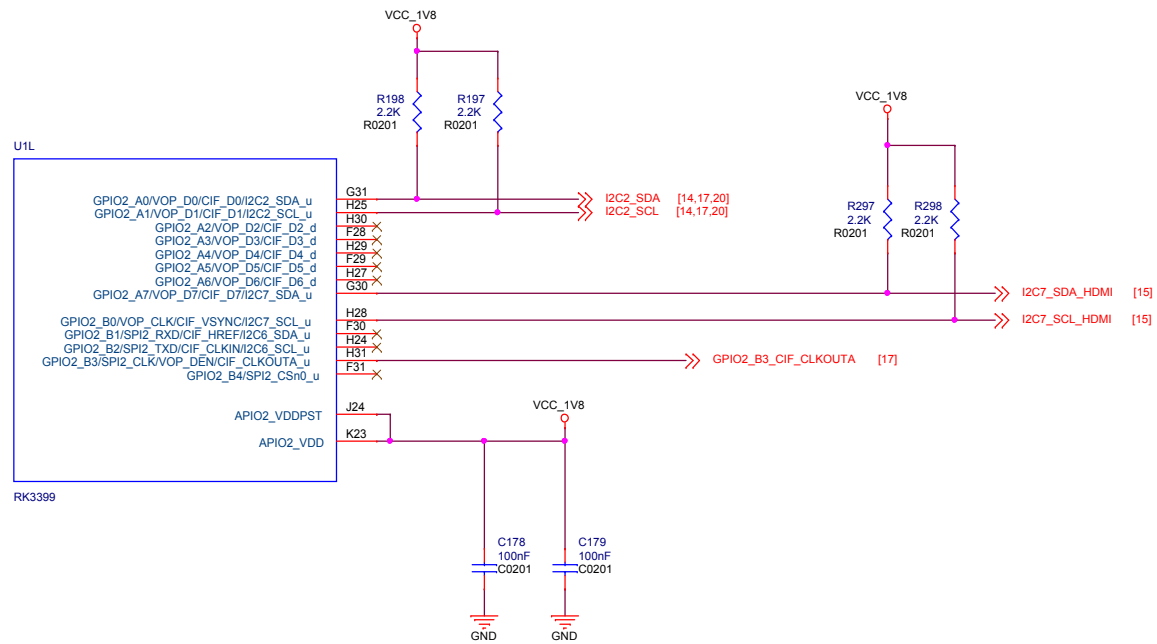
RK3399

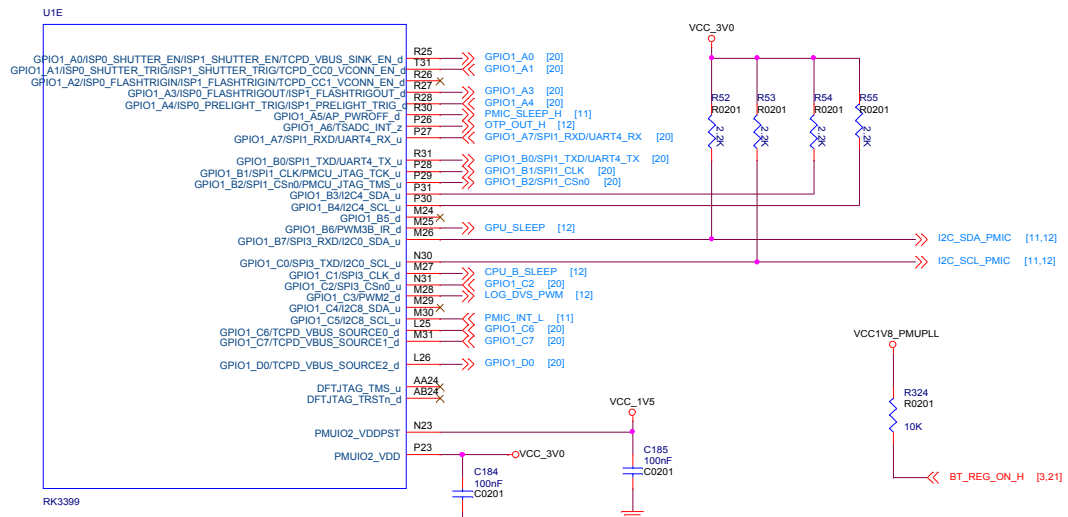
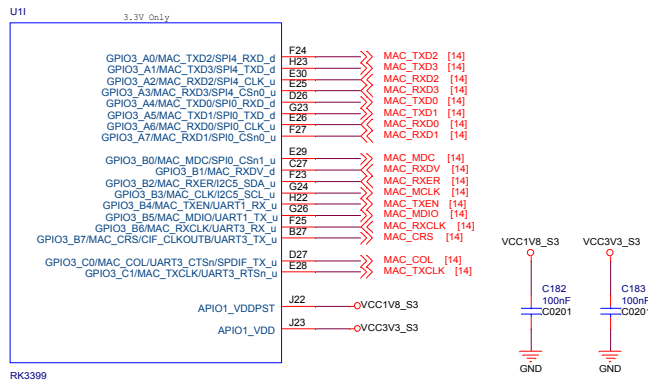


RK3399

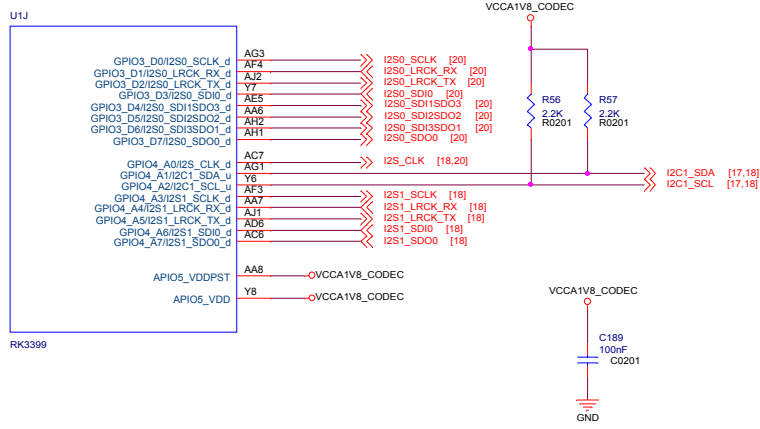
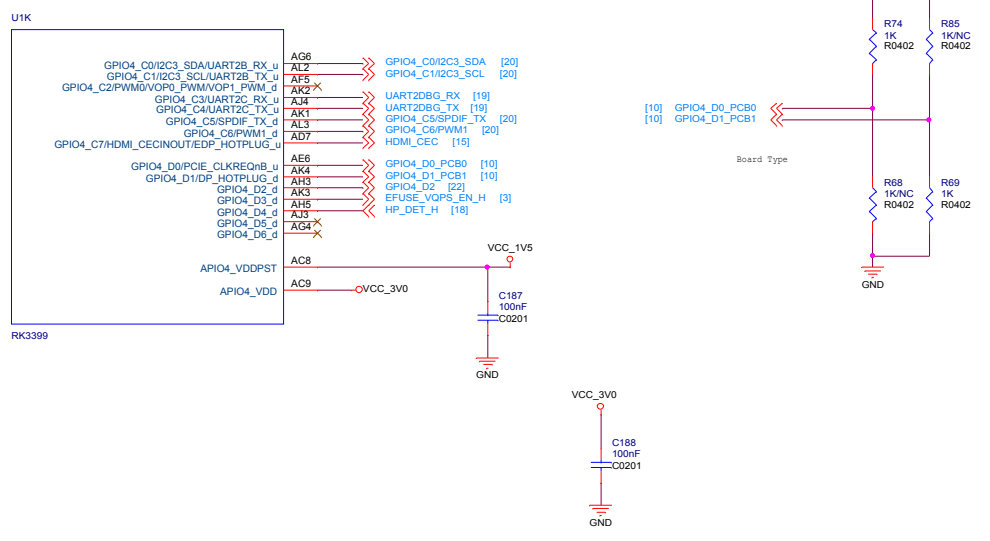
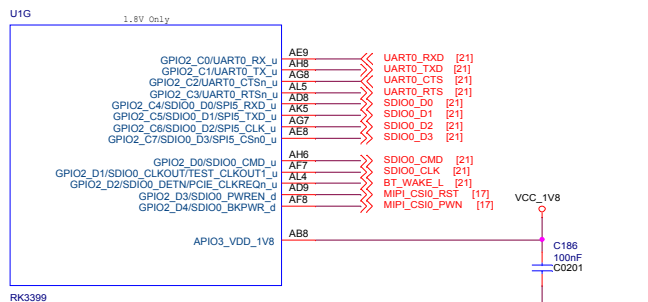




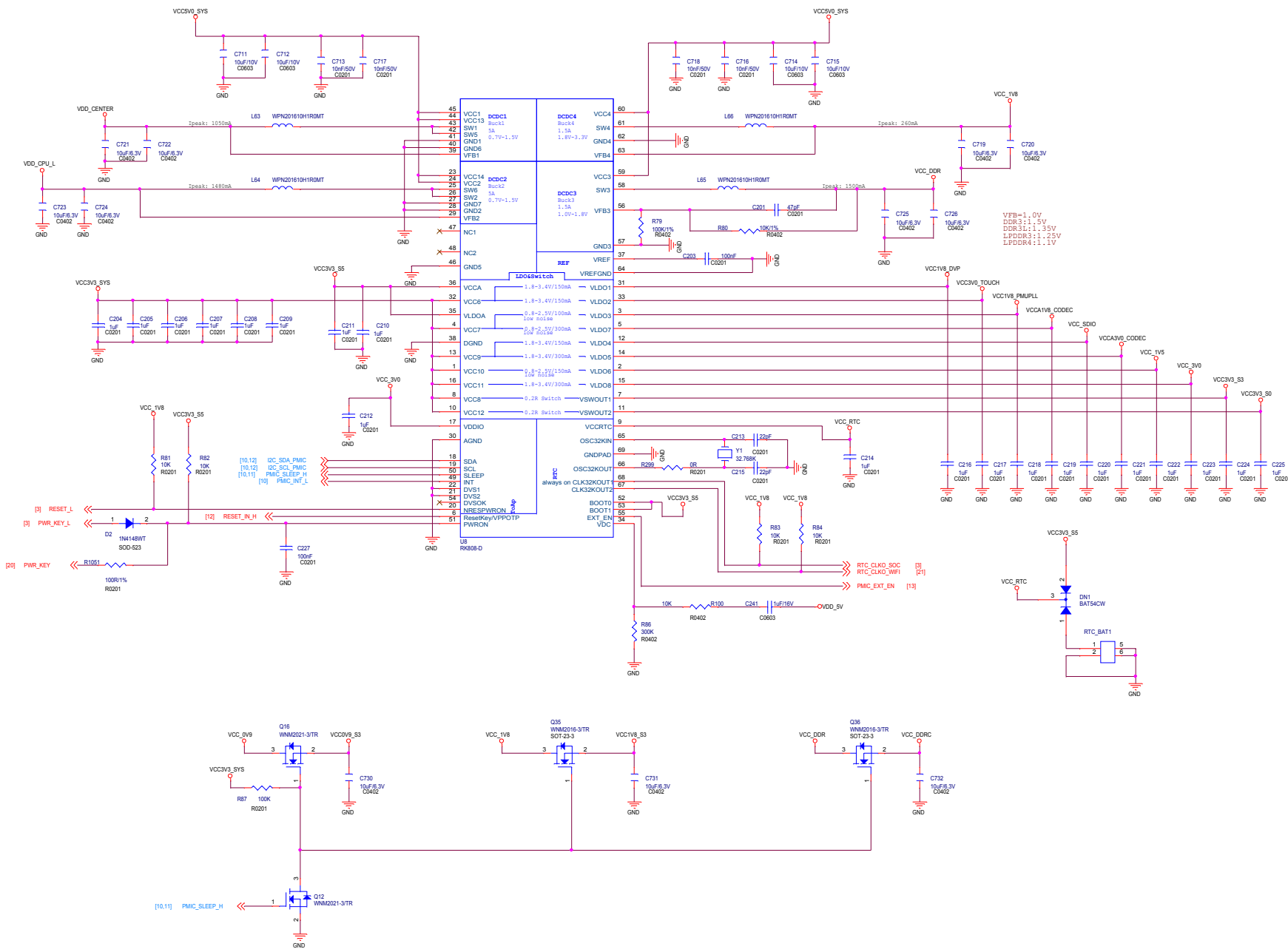




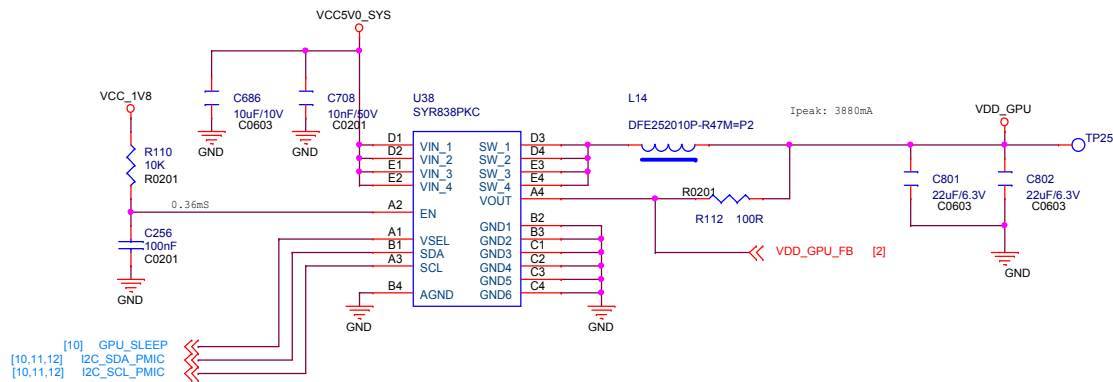
1.8V Only	VDDPST=VDDIO=1.8V
3.3V Only	VDDPST=1.8V, VDDIO=3.3V
other	3.0V mode: VDDPST=1.5V, VDDIO=3.3V 1.8V mode: VDDPST=1.8V, VDDIO=1.8V



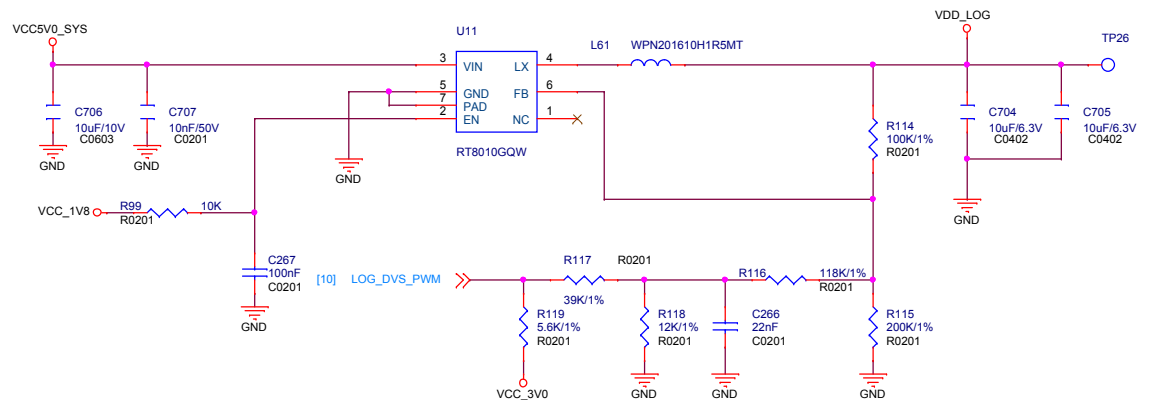
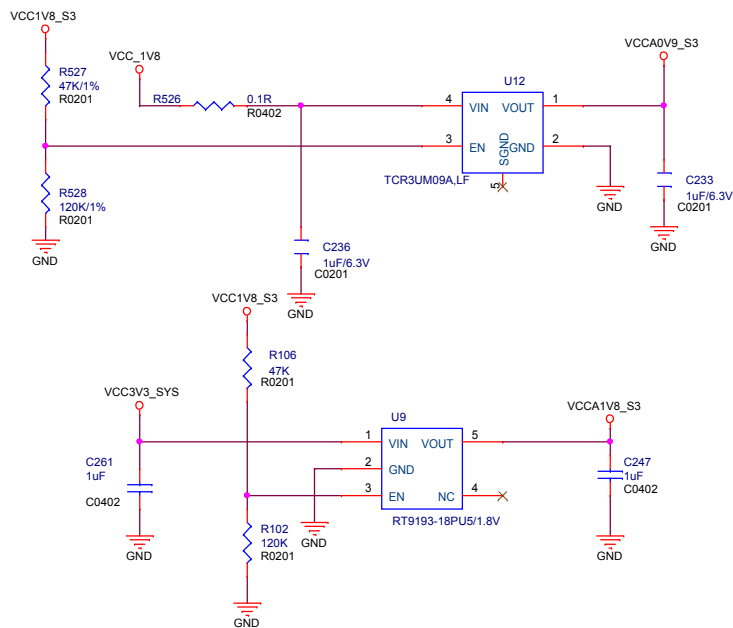
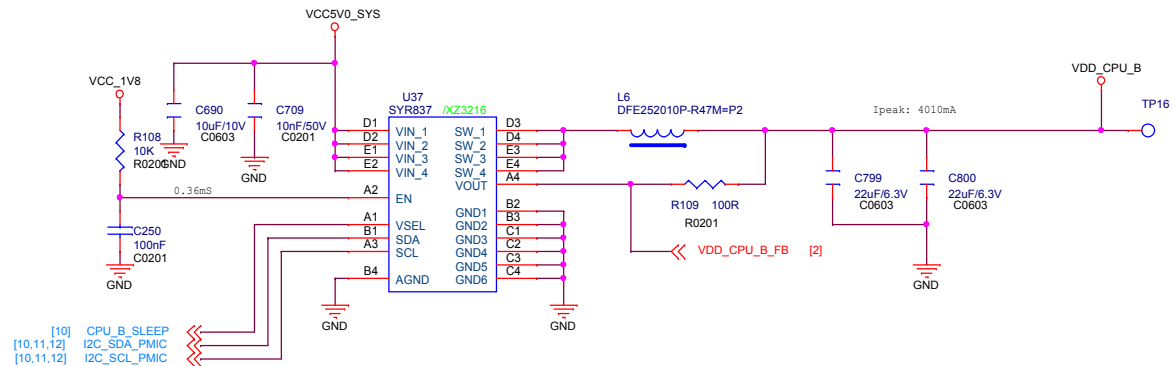
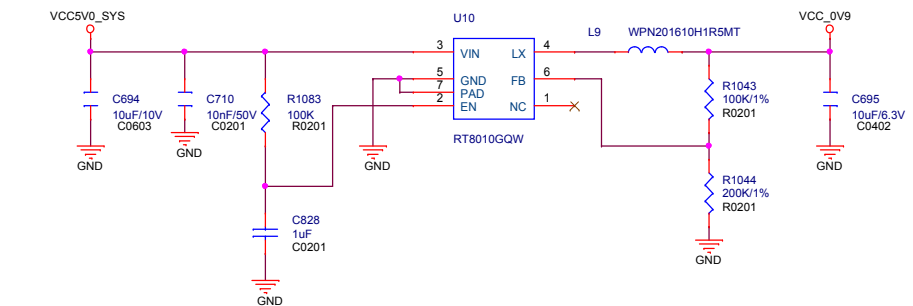
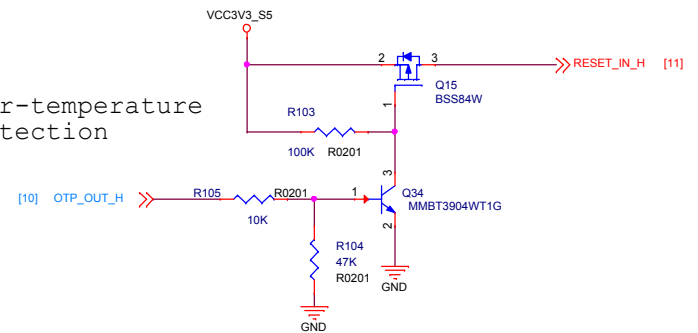
# PMIC RK808



NanoPi M4B		
Size	Document Number	Rev
CustID	11.Power1-RK808D	1909
Date:	Tuesday, November 28, 2018	Sheet 11 of 23

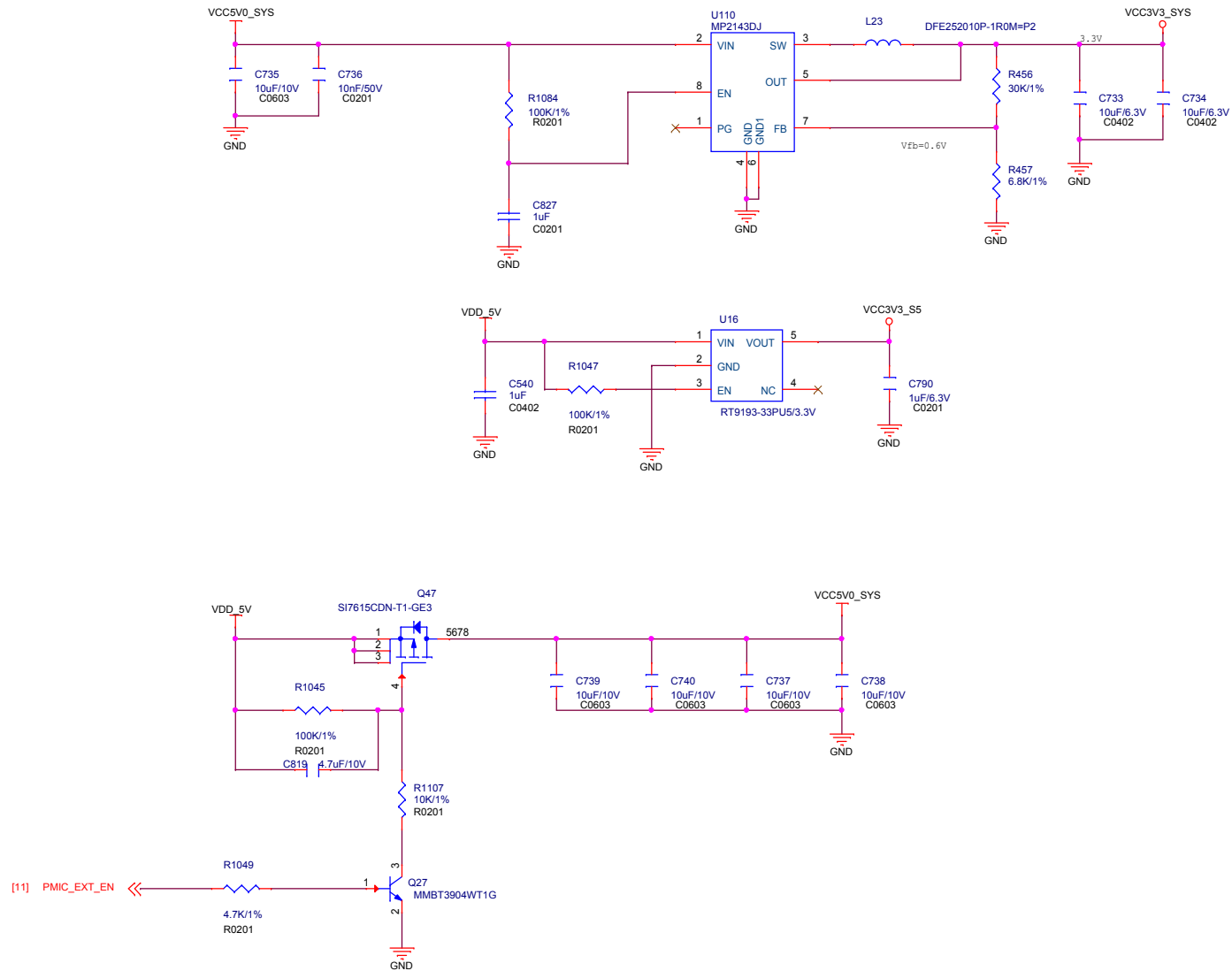


### Over-temperature Protection



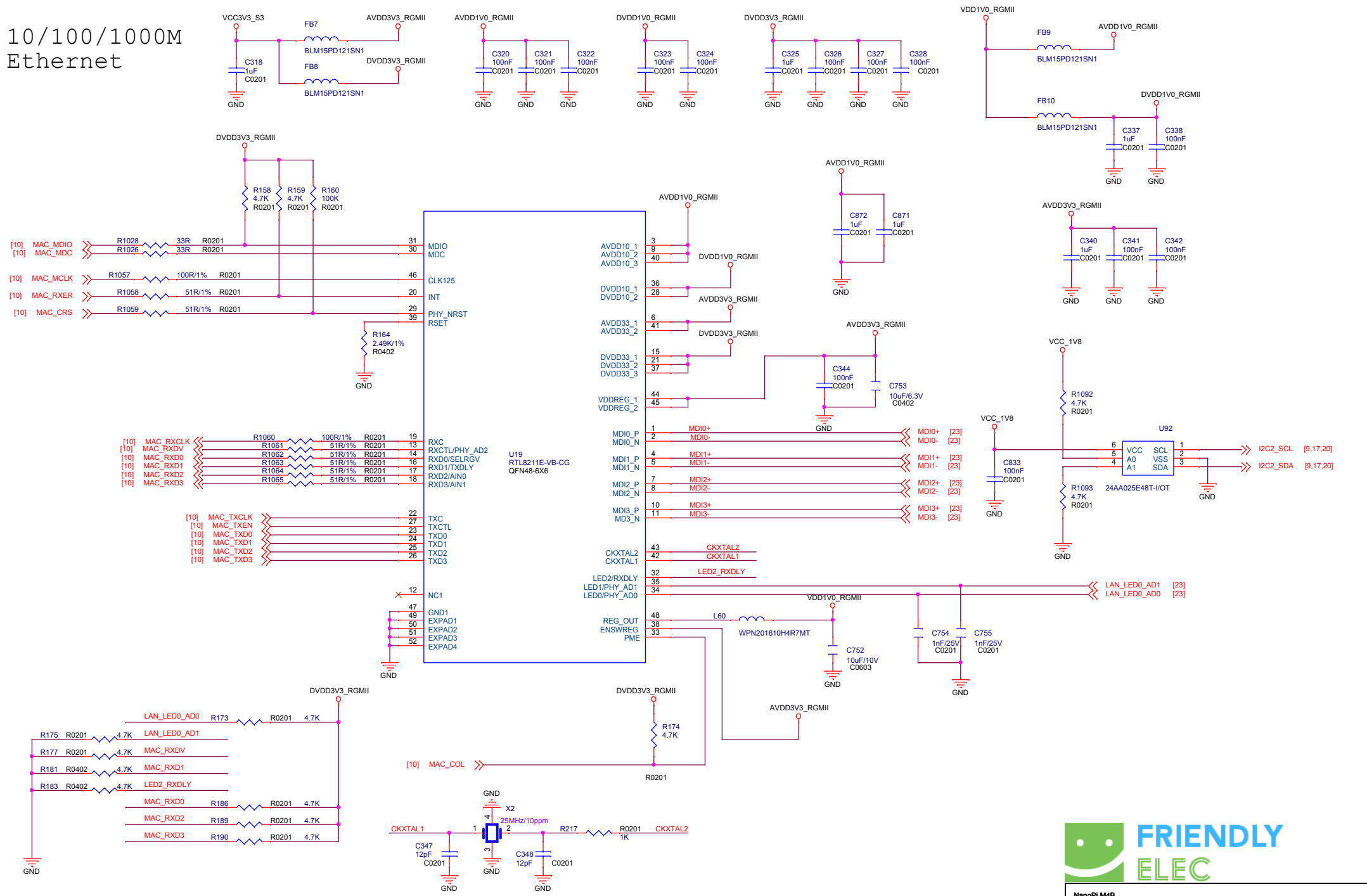
NanoPi M4B		
Size	Document Number	Rev
A3	12.Power2-CPU/GPU/etc	1909
Date:	Tuesday, November 26, 2019	Sheet 12 of 23

# Power Supply

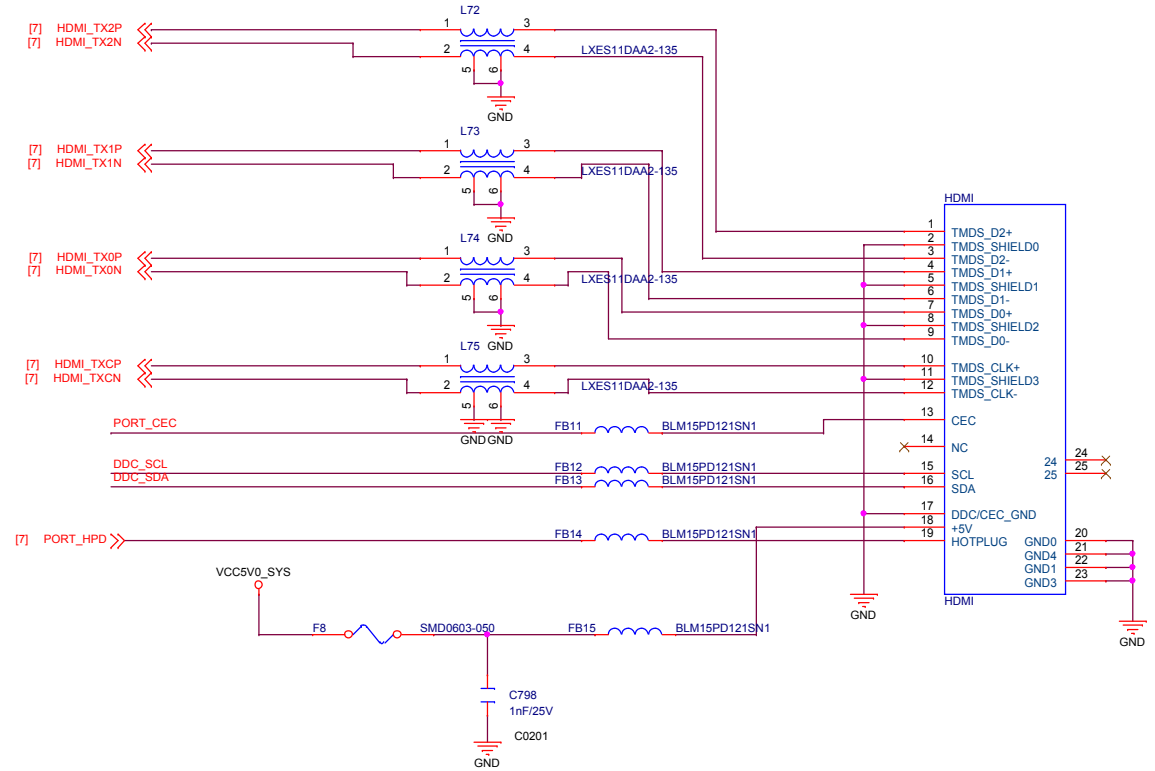
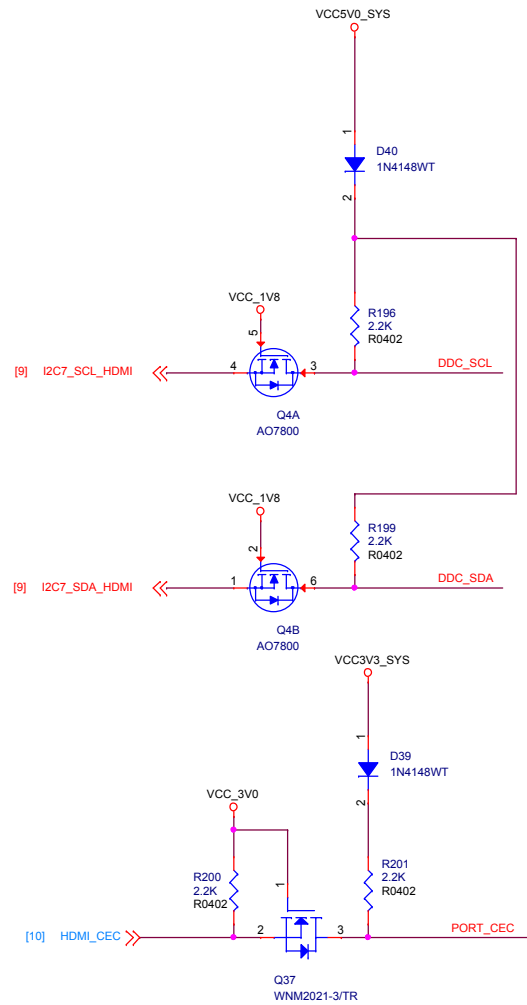


NanoPi M4B		
Size A3	Document Number 13.Power3-3.3V/5V	Rev 1909
Date: Monday, January 13, 2020	Sheet 13	of 23

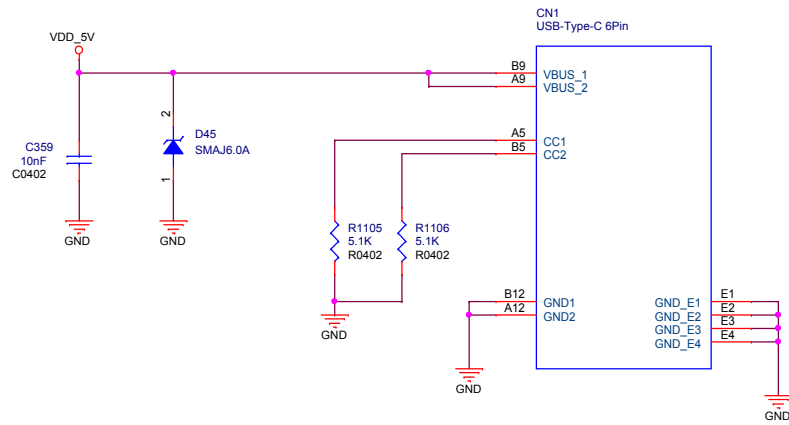
# 10/100/1000M Ethernet



# HDMI Port

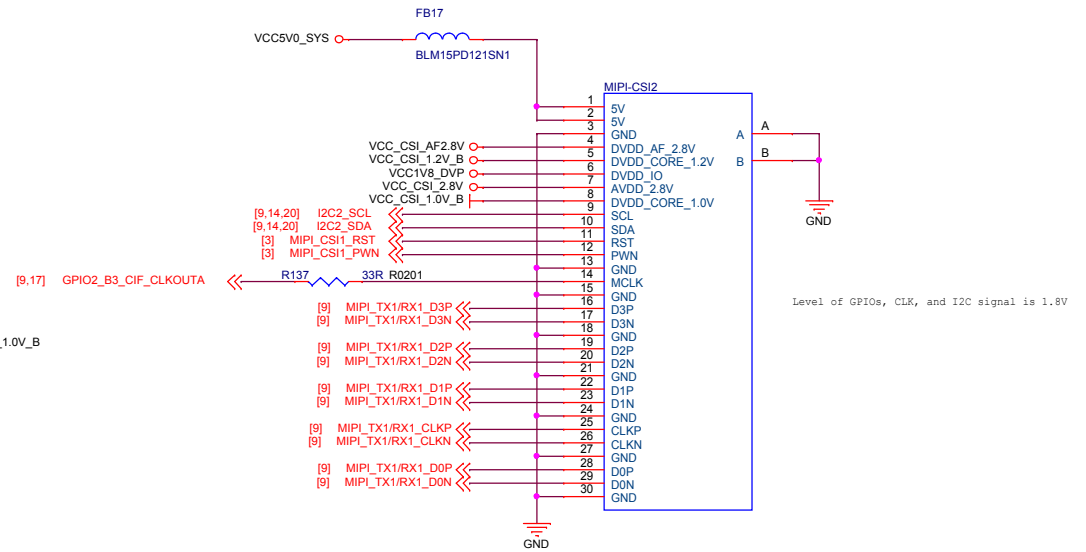
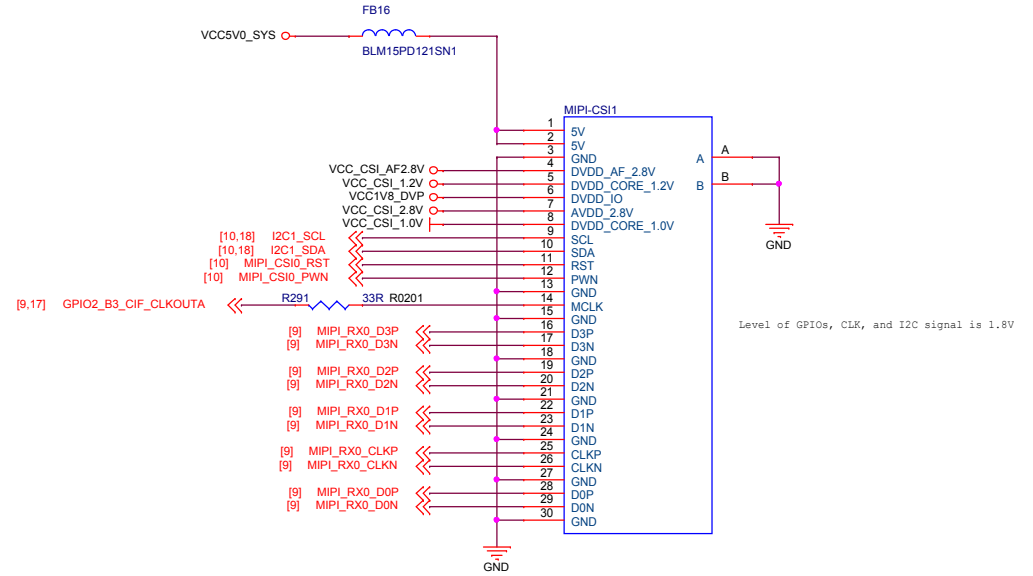
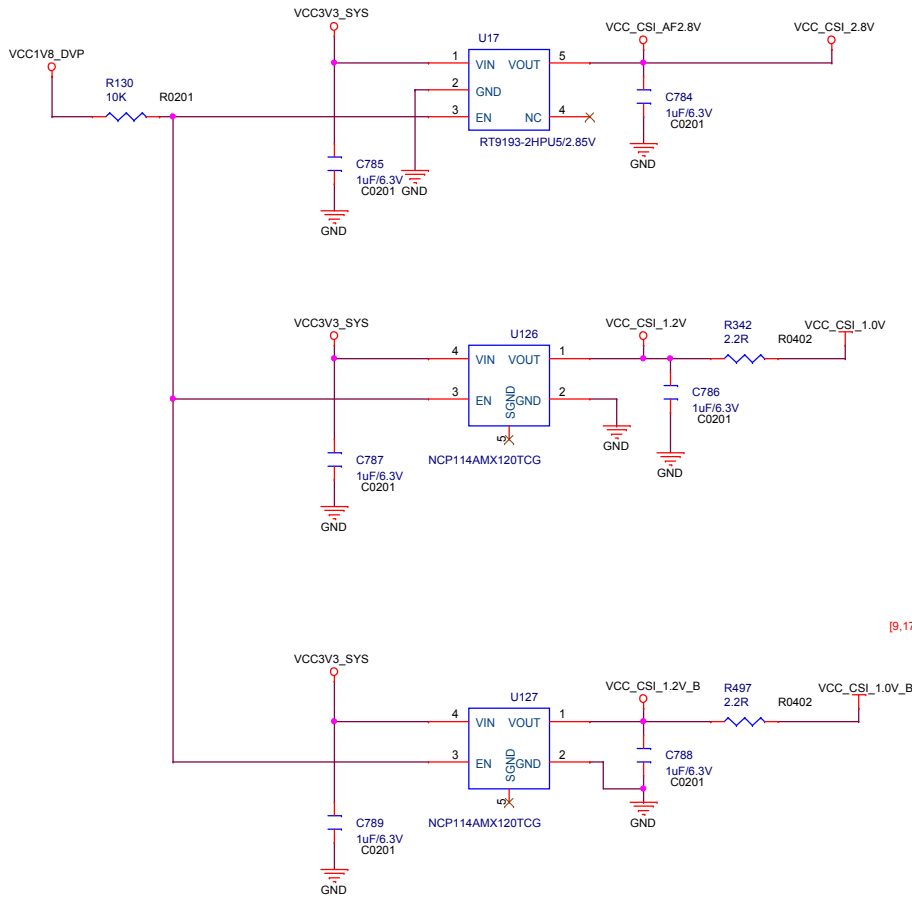


# USB Type-C



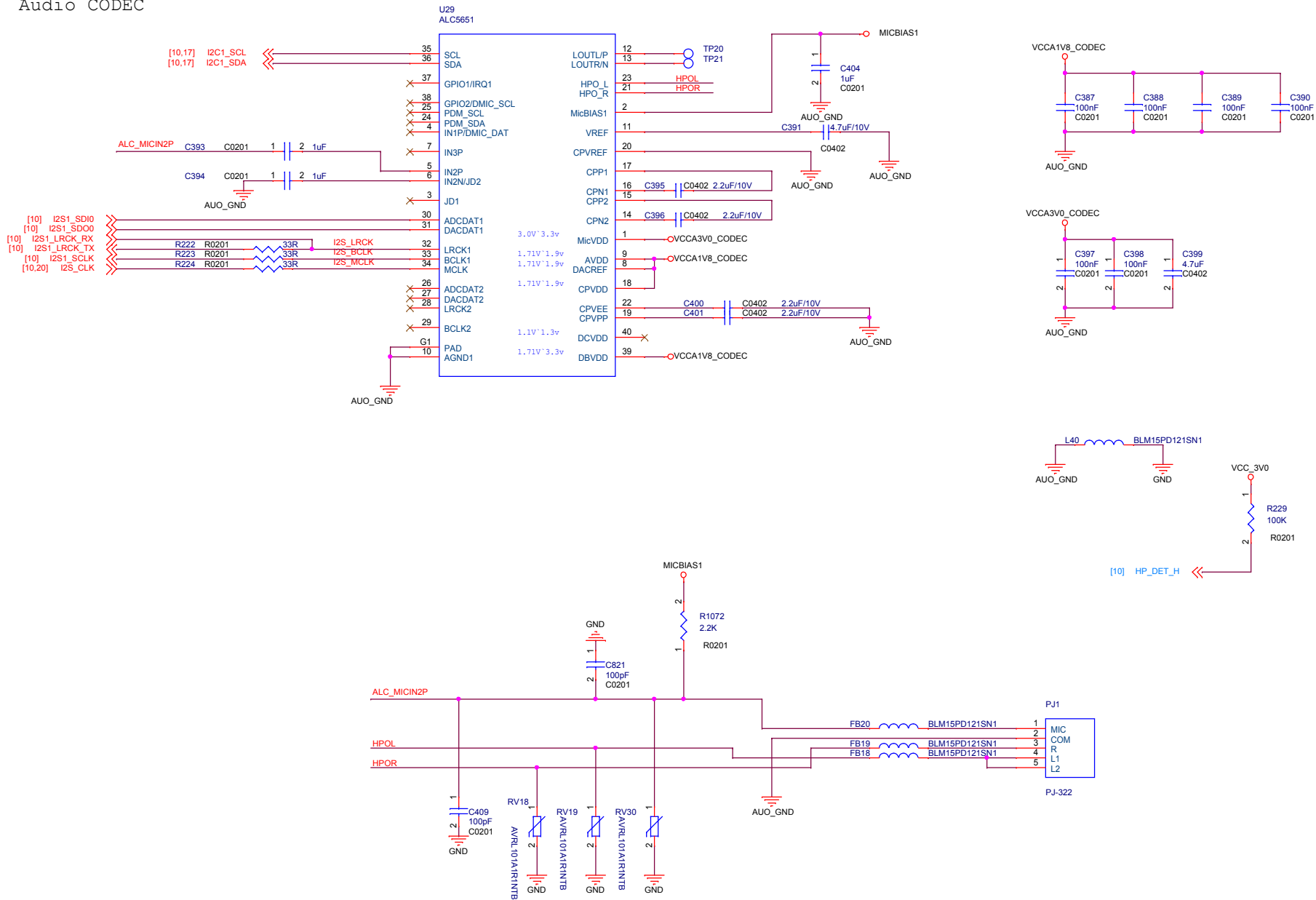


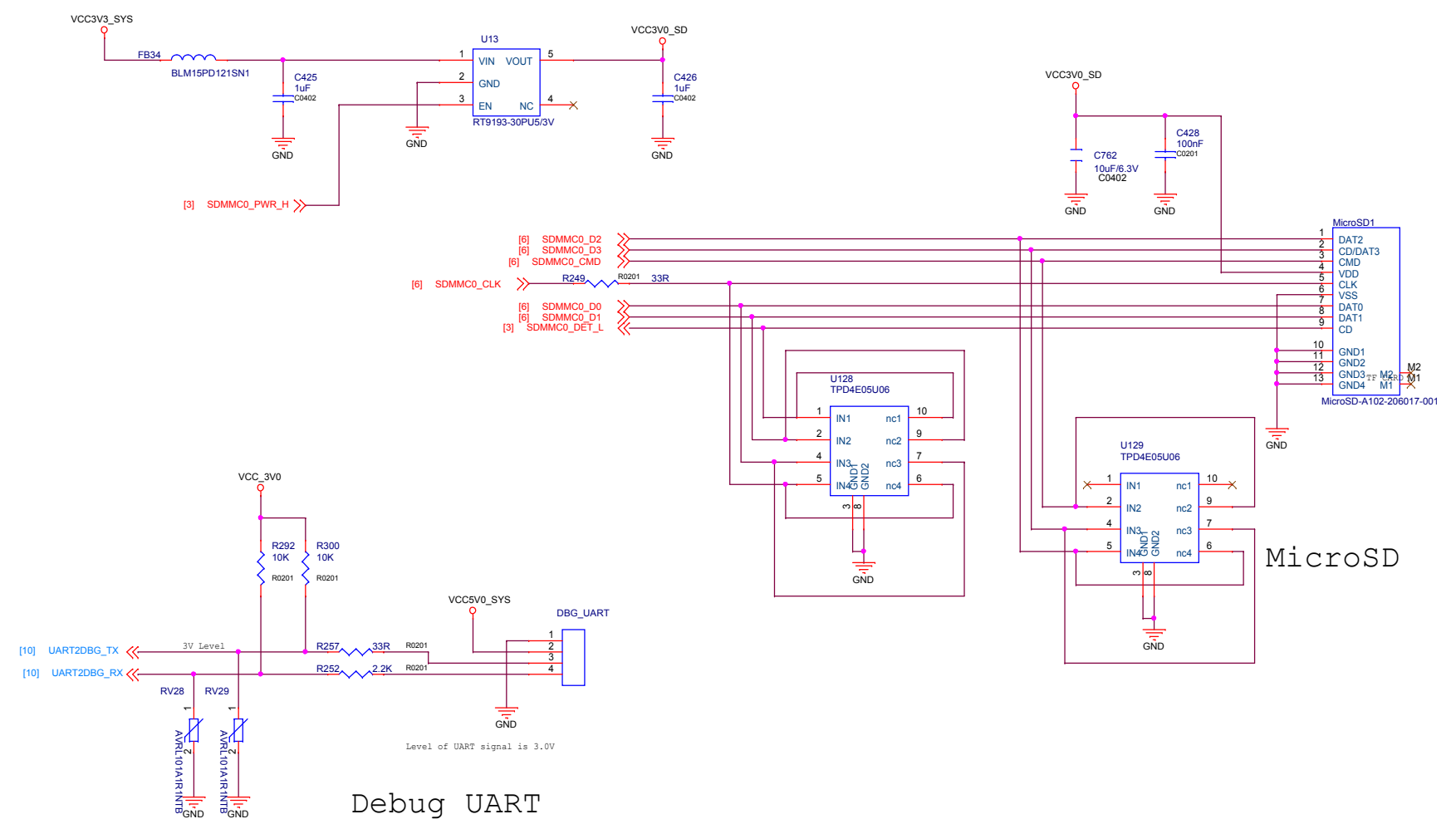
# MIPI-CSI



NanoPi M4B		
Size A3	Document Number 17.MIPI-CSI	Rev 1909
Date: Tuesday, November 26, 2019	Sheet 17	of 23

# Audio CODEC

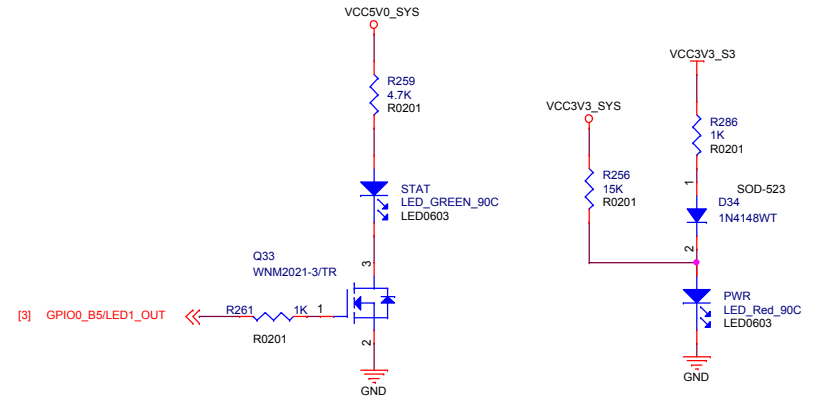
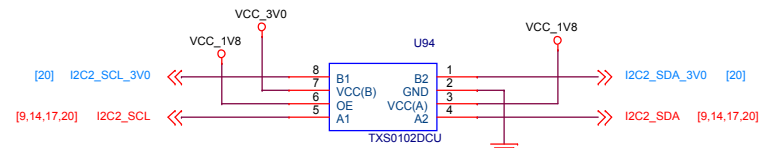
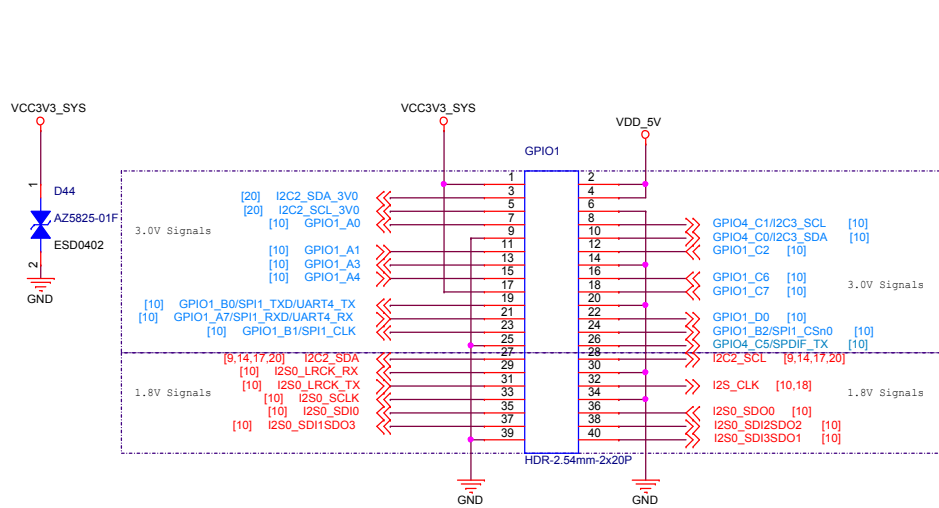




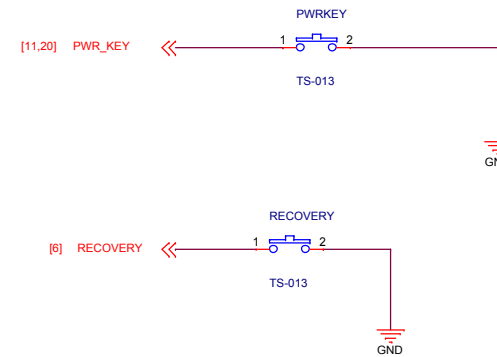
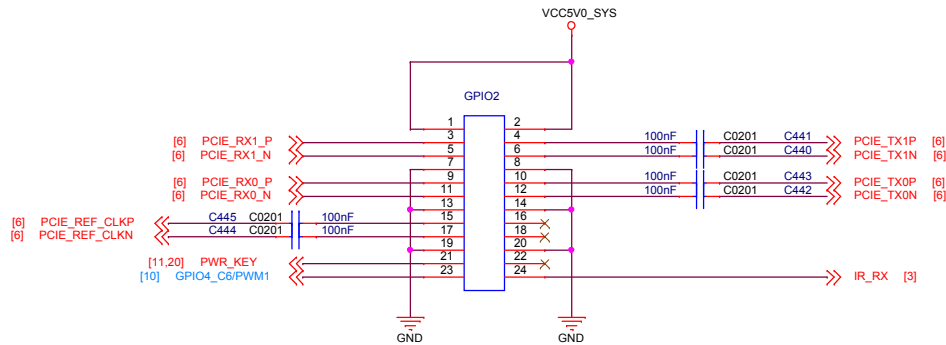
Debug UART



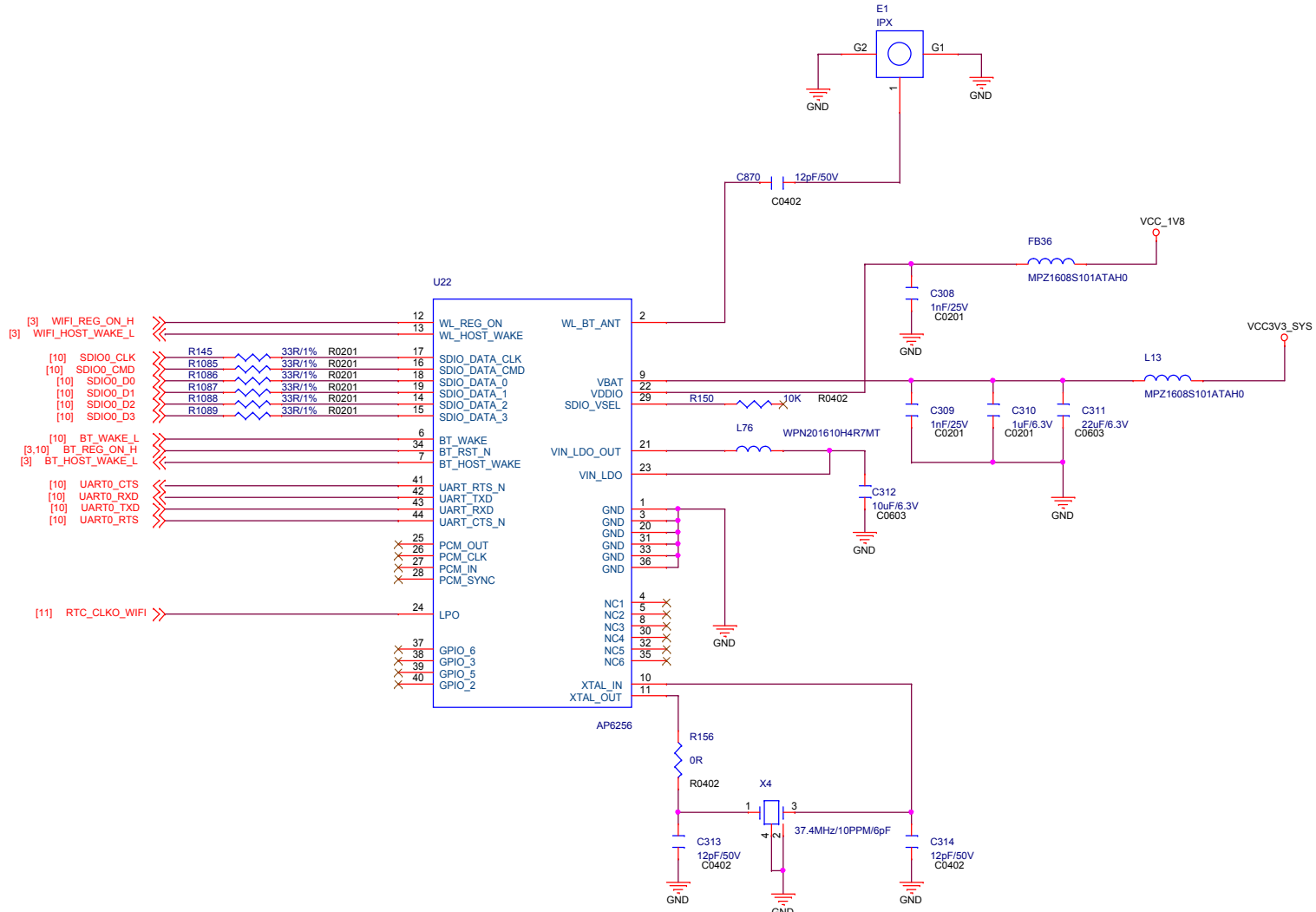
# GPIO

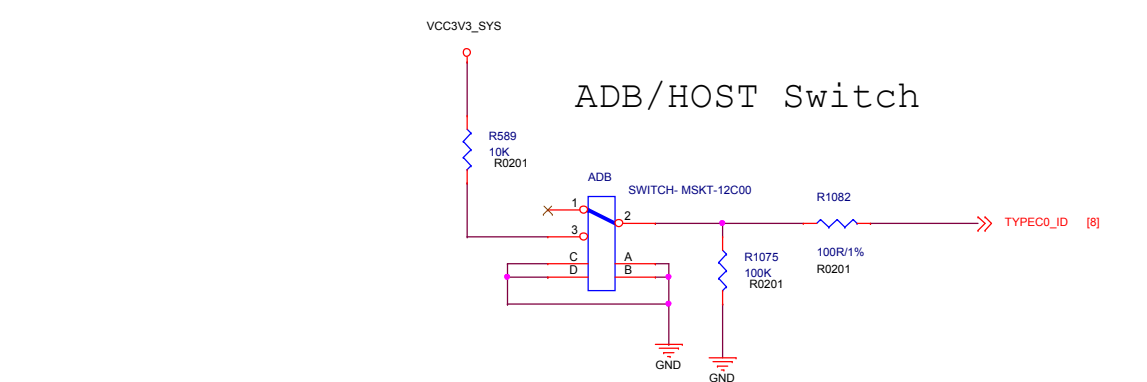
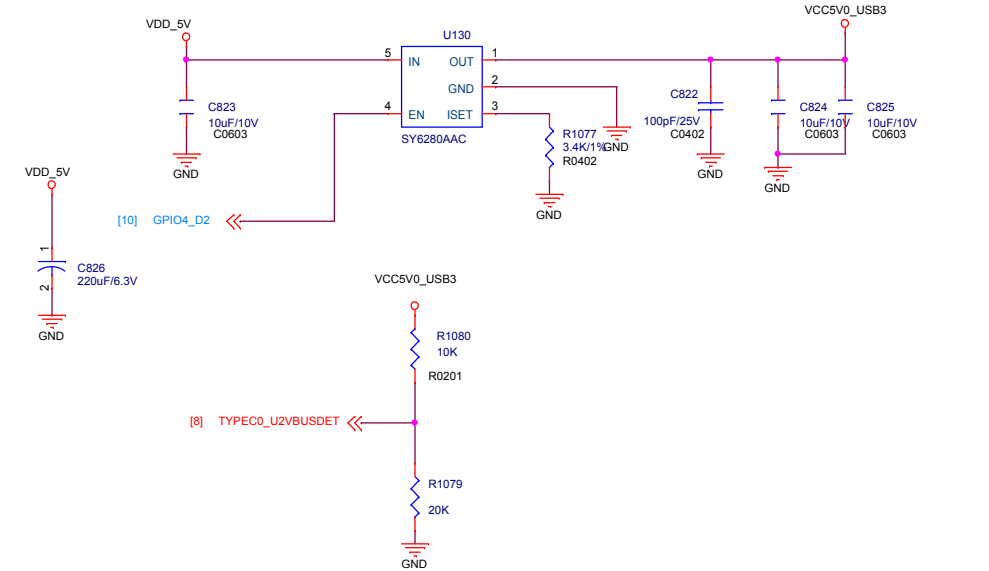
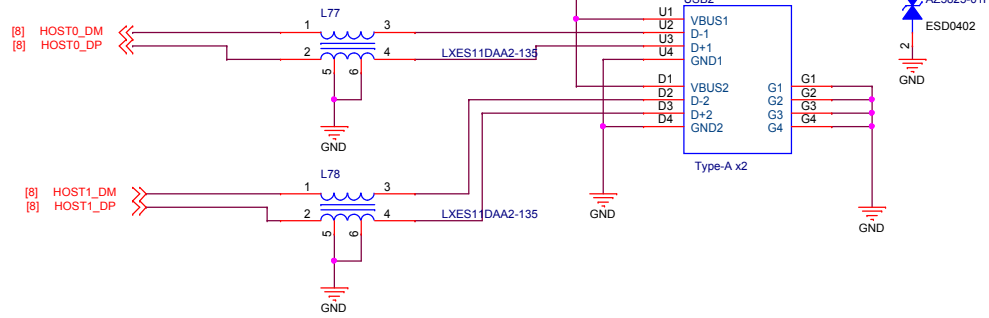
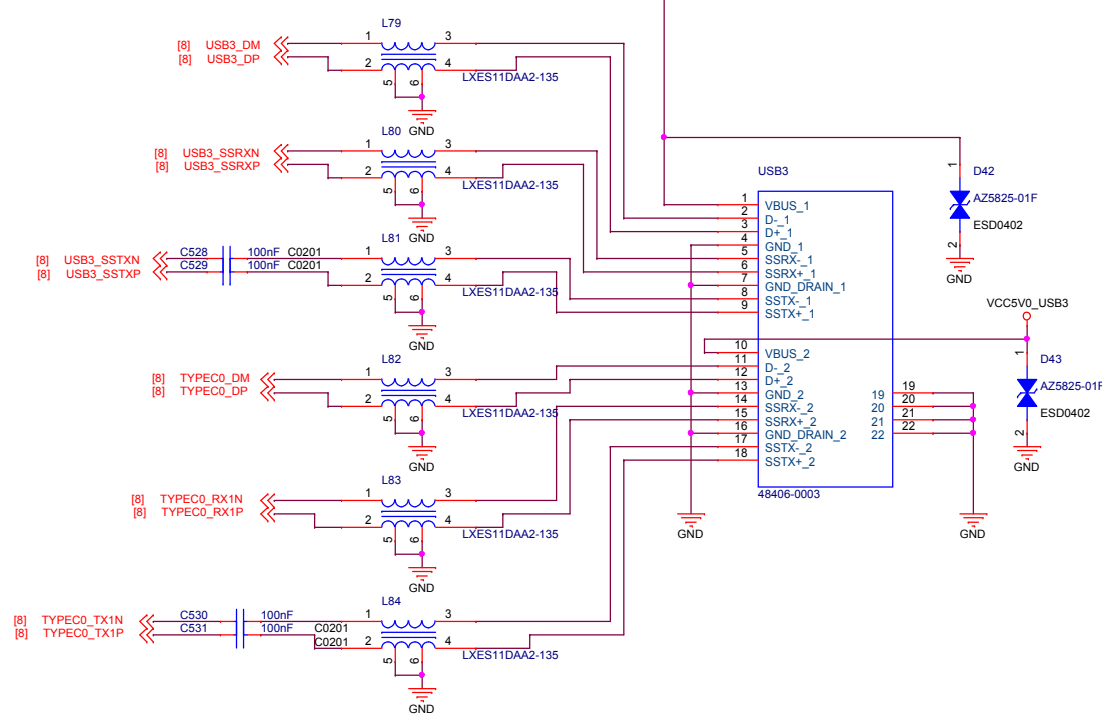
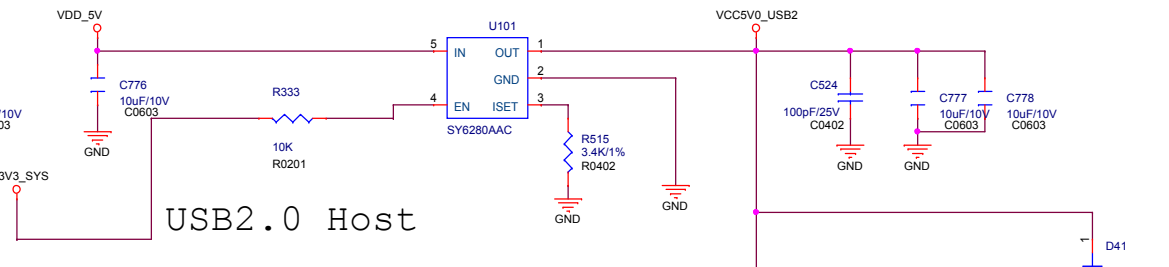
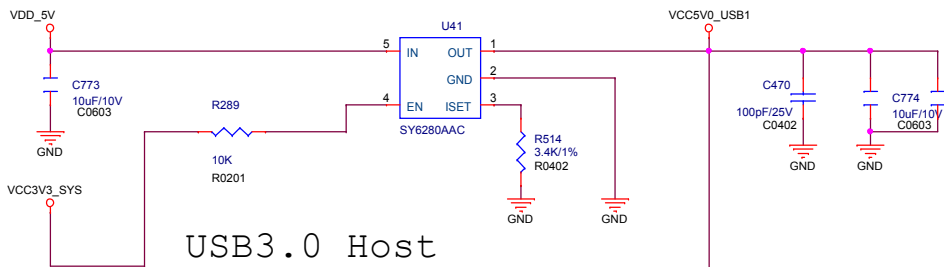


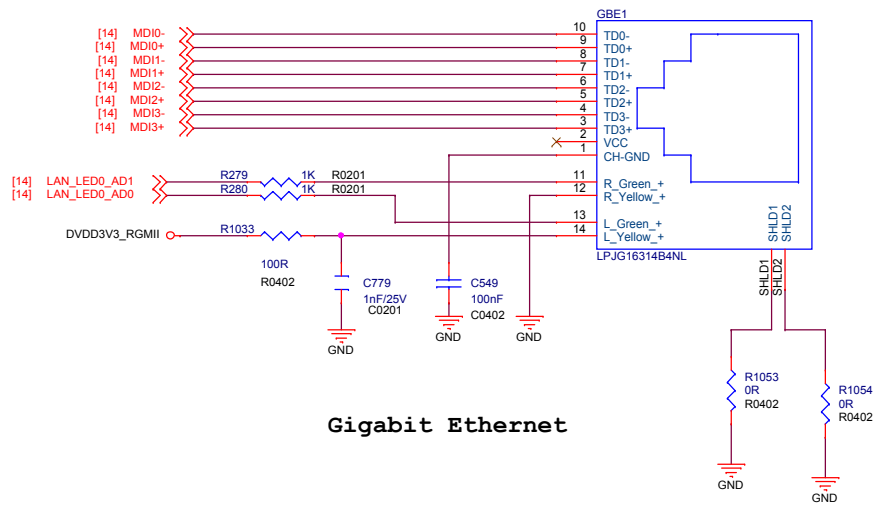
# PCIe, USB



# Wi-Fi/Bluetooth

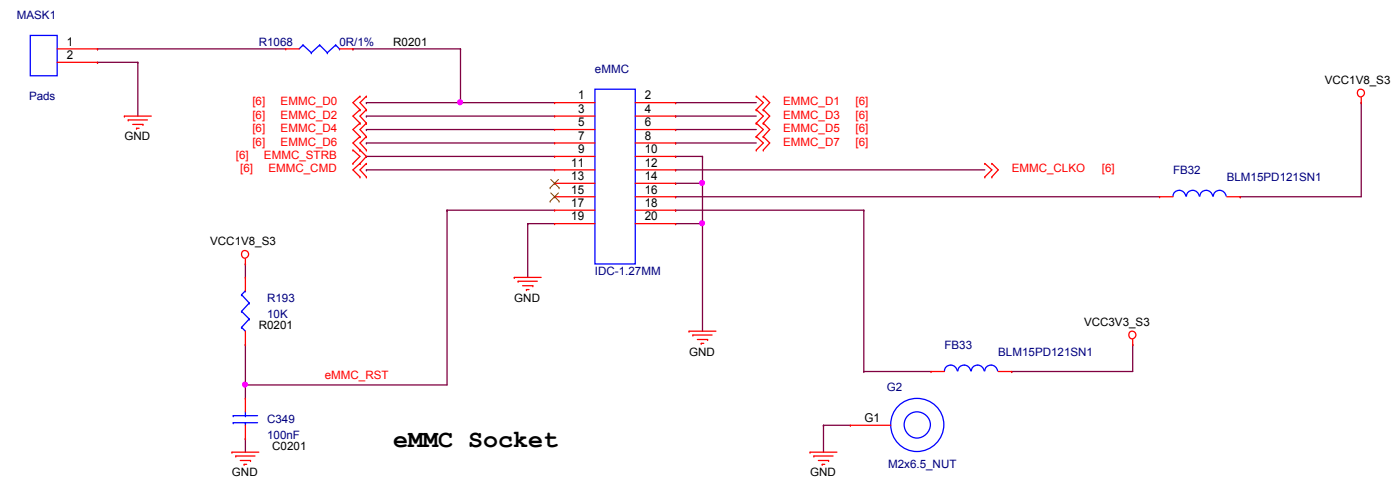
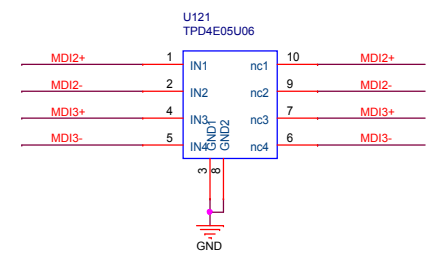
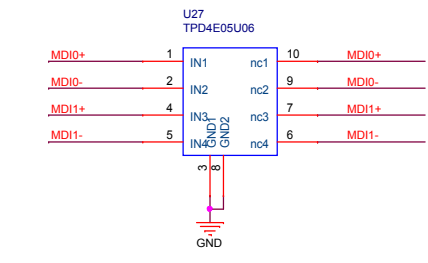






### Gigabit Ethernet

### Gigabit Ethernet



### eMMC Socket



NanoPi M4B		
Size A3	Document Number 23.Gigabit Port/eMMC Socket	Rev 1909
Date: Tuesday, November 26, 2019	Sheet 23	of 23