

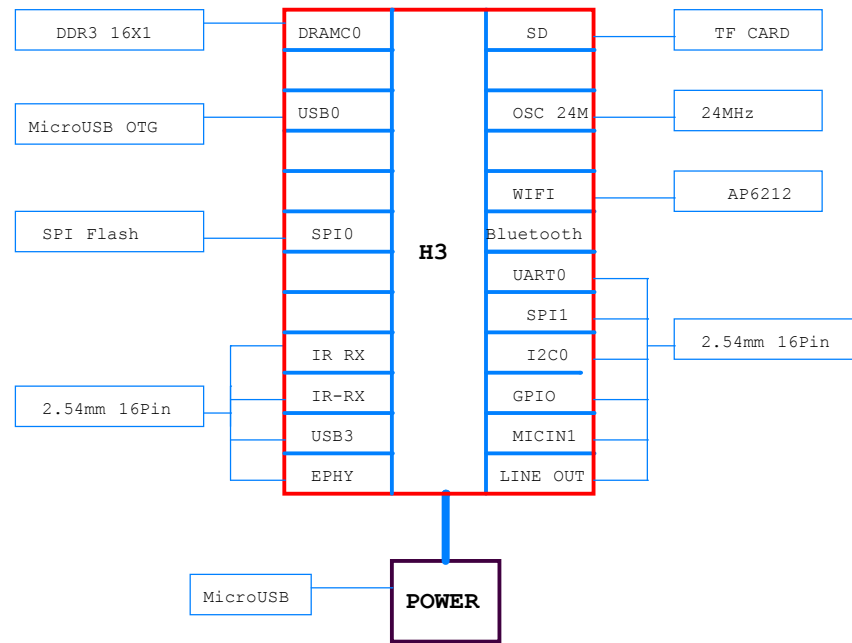
# NanoPi Duo2

Revision:  
V1.0 1807 first release

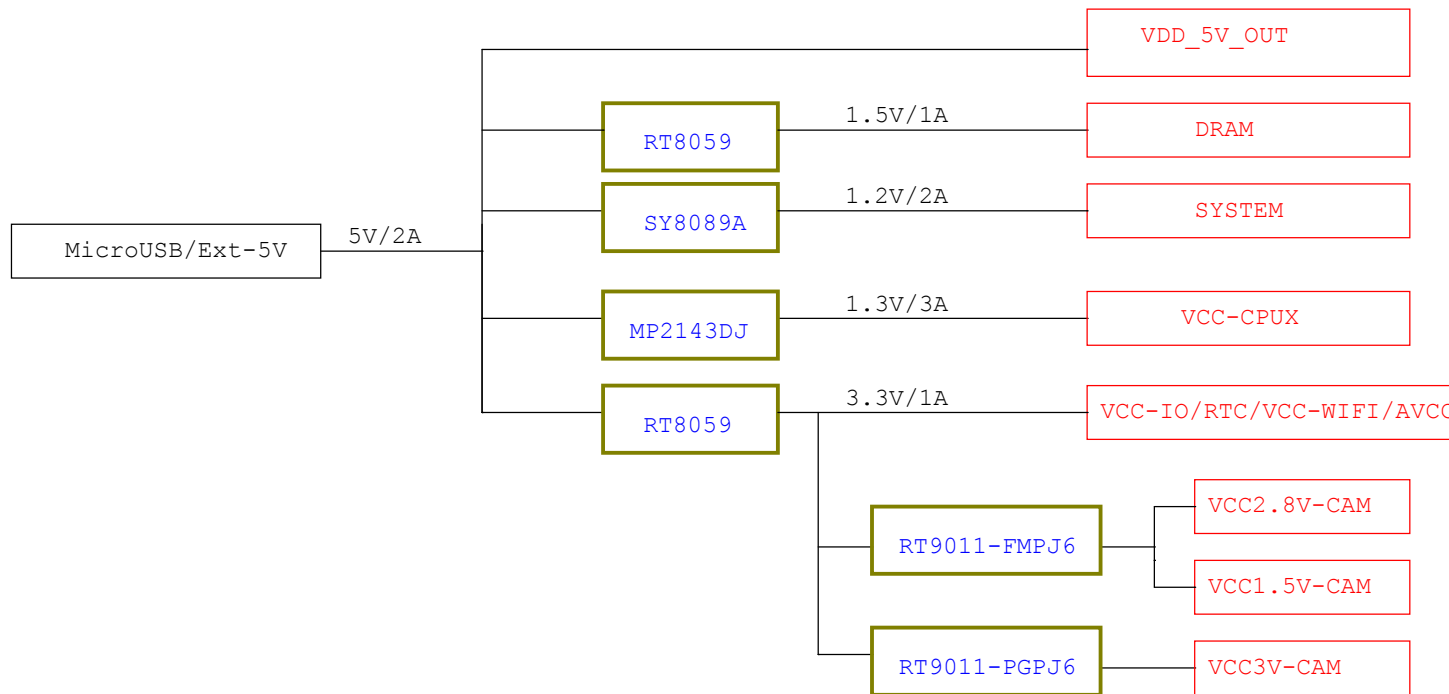


NanoPi Duo2			
Size	Document	Number	Rev
A3	Title		V1.0 1807
Date:	Thursday, September 27, 2018	Sheet	1 of 11

# BLOCK

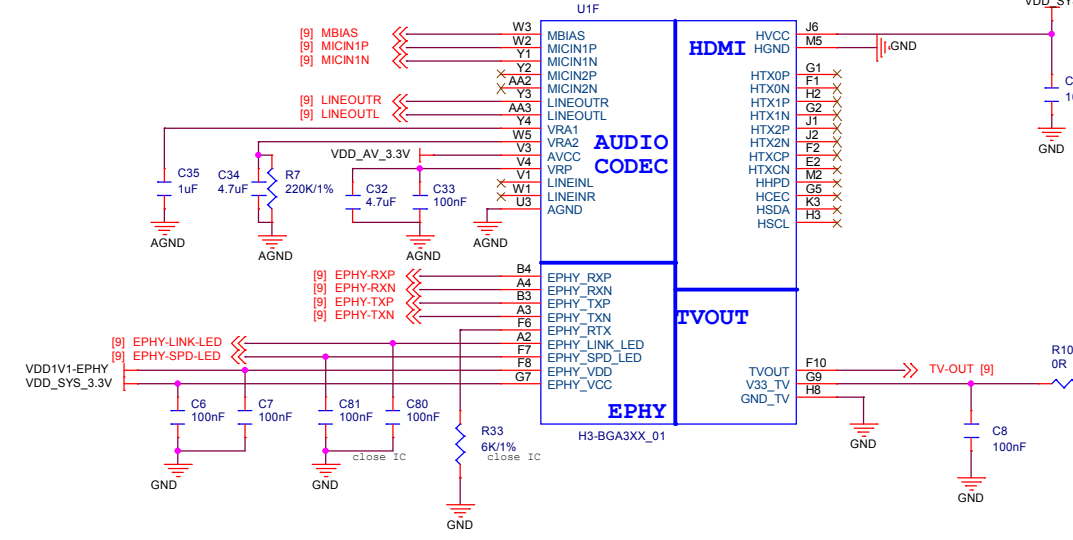
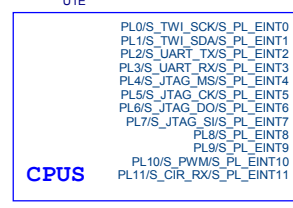
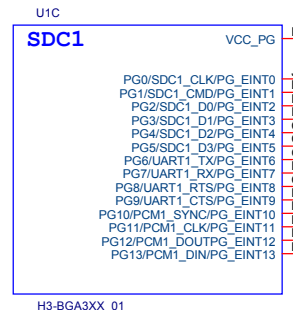
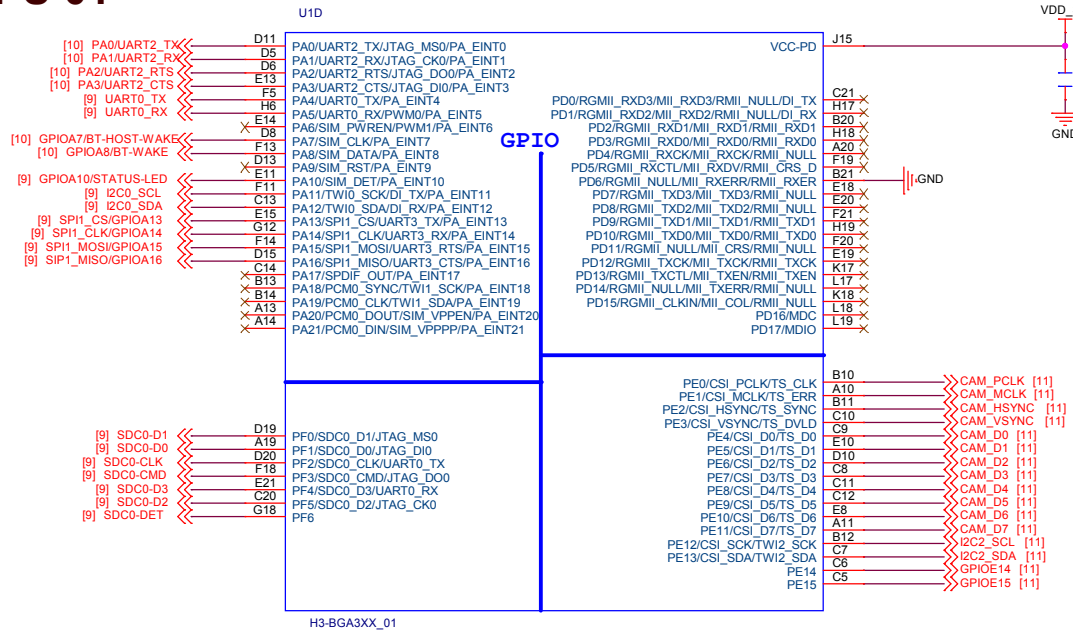


# POWER TREE

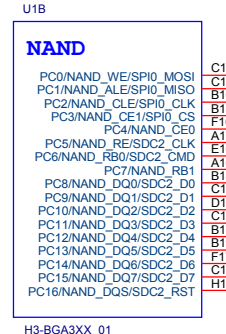




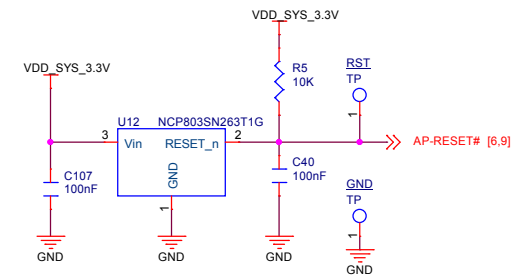
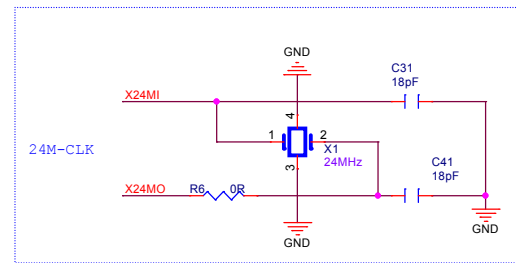
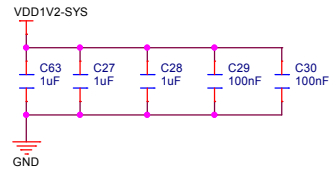
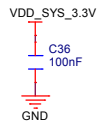
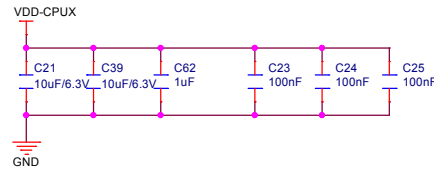
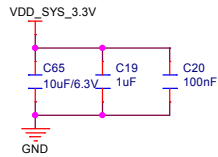
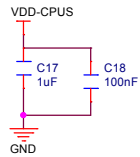
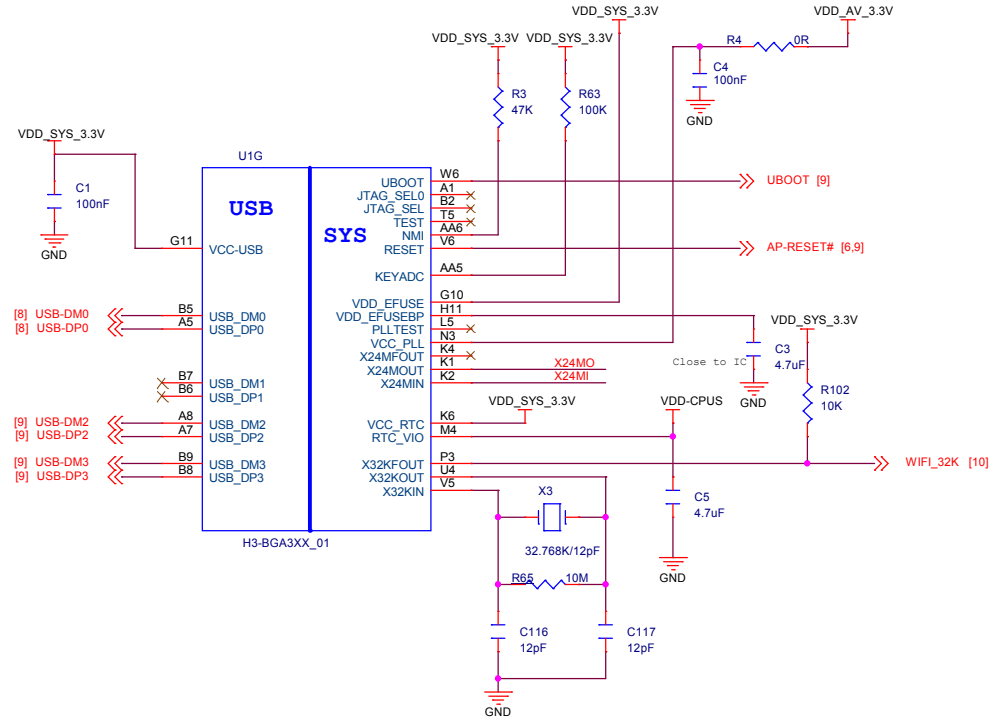
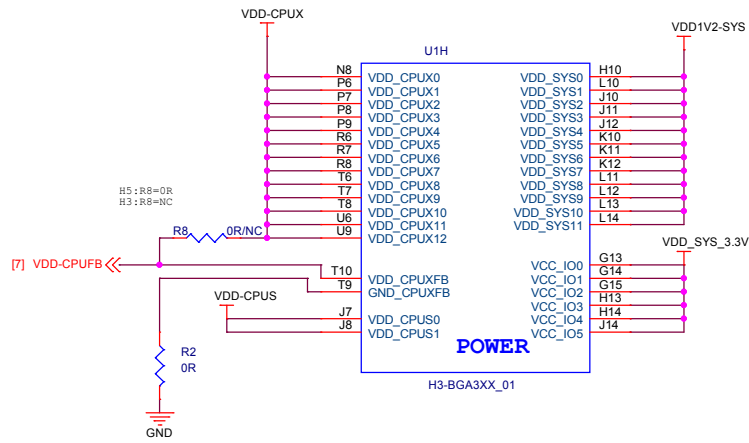
# CPU 01



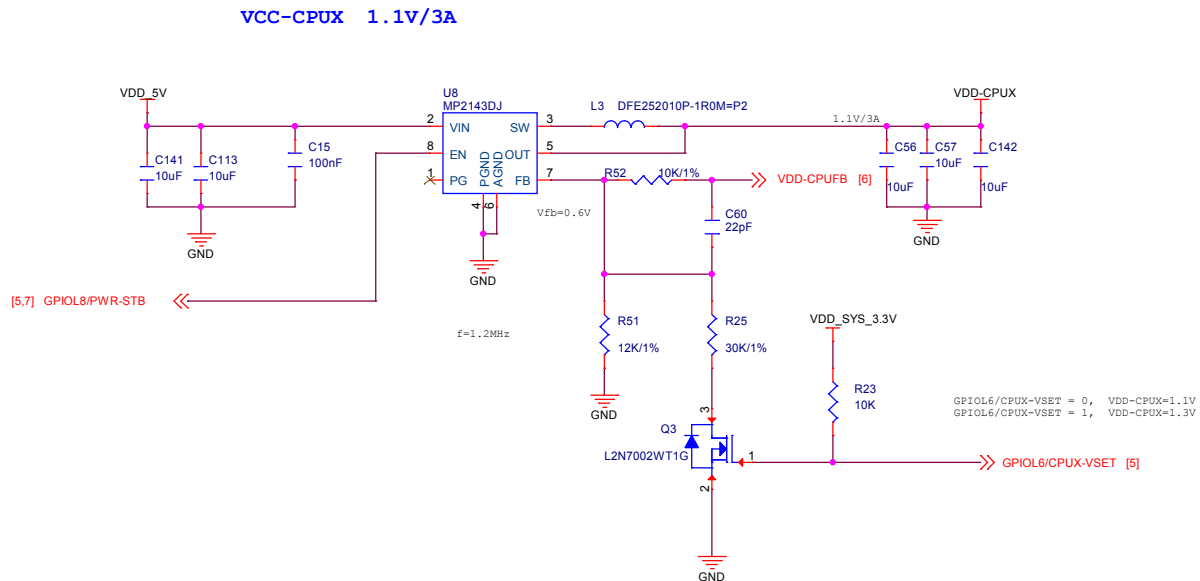
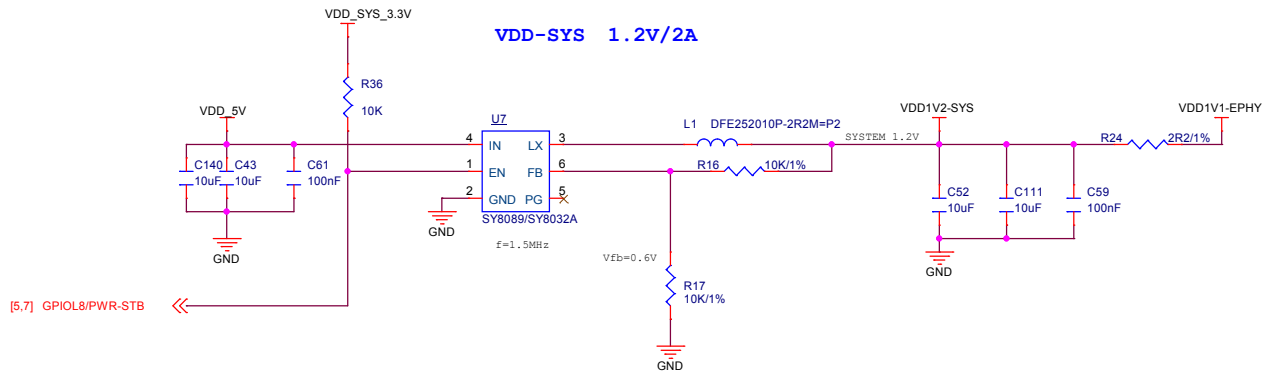
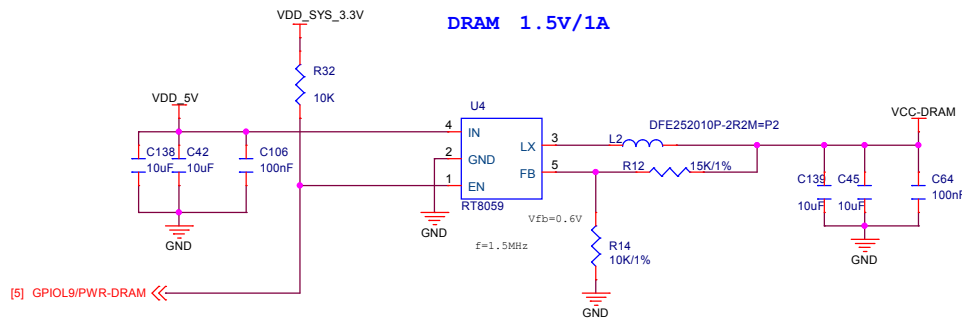
	PWRON/WORK	STANDBY	PWROFF
PWR-STB	1	0	0
PWR-DRAM	1	1	0



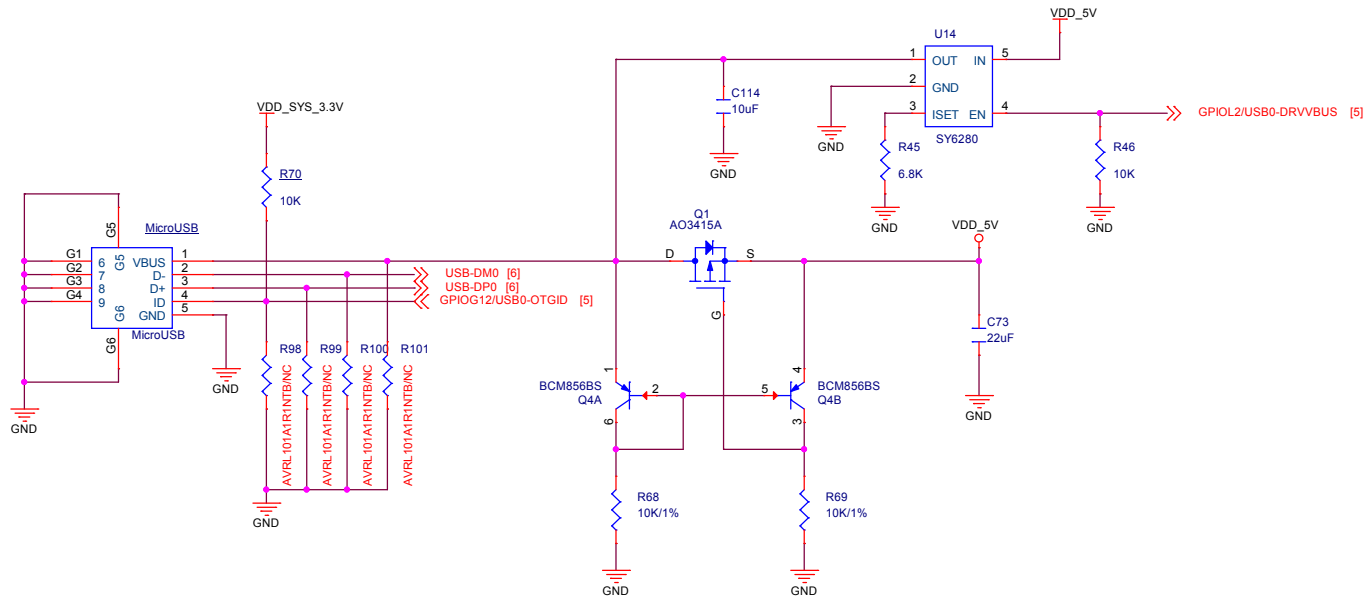
# CPU 02



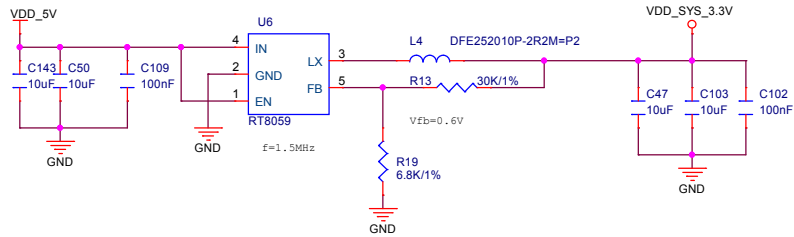
# POWER 01



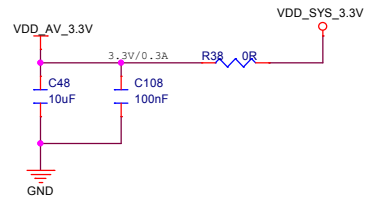
# POWER 02



## VCC-IO 3.3V/1A

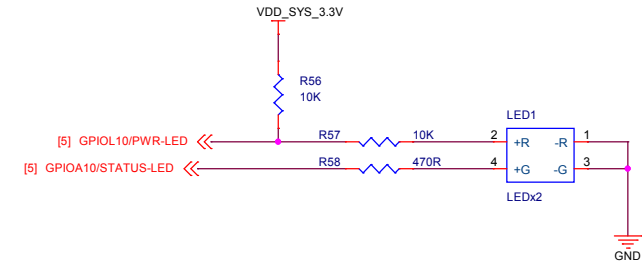
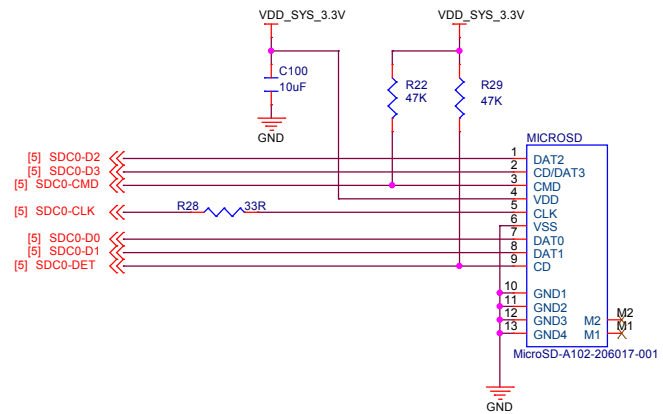
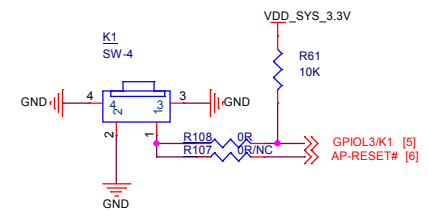
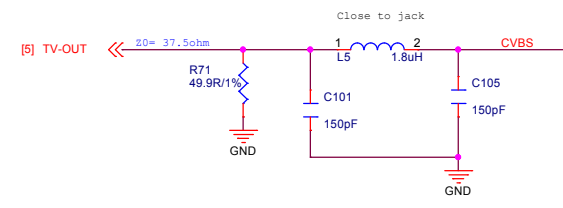
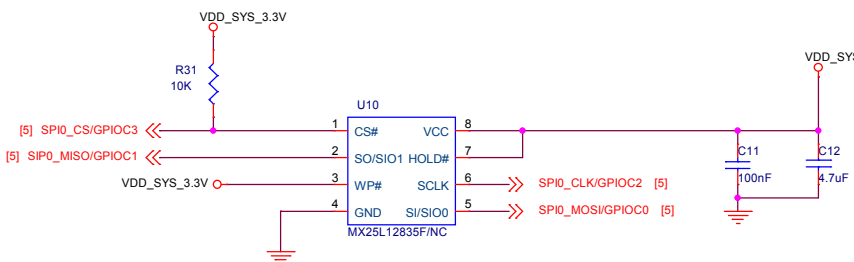
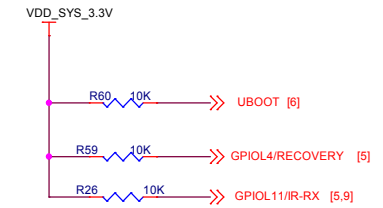
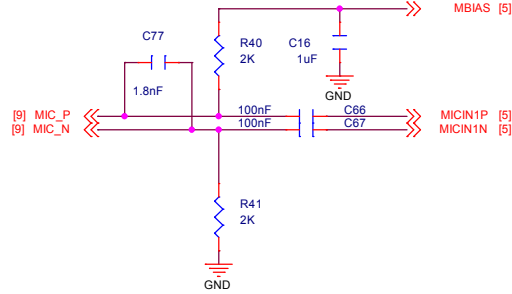
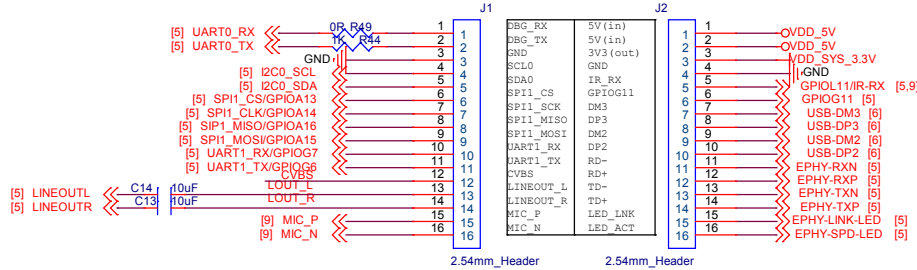


## VCC-AVCC 3.3V

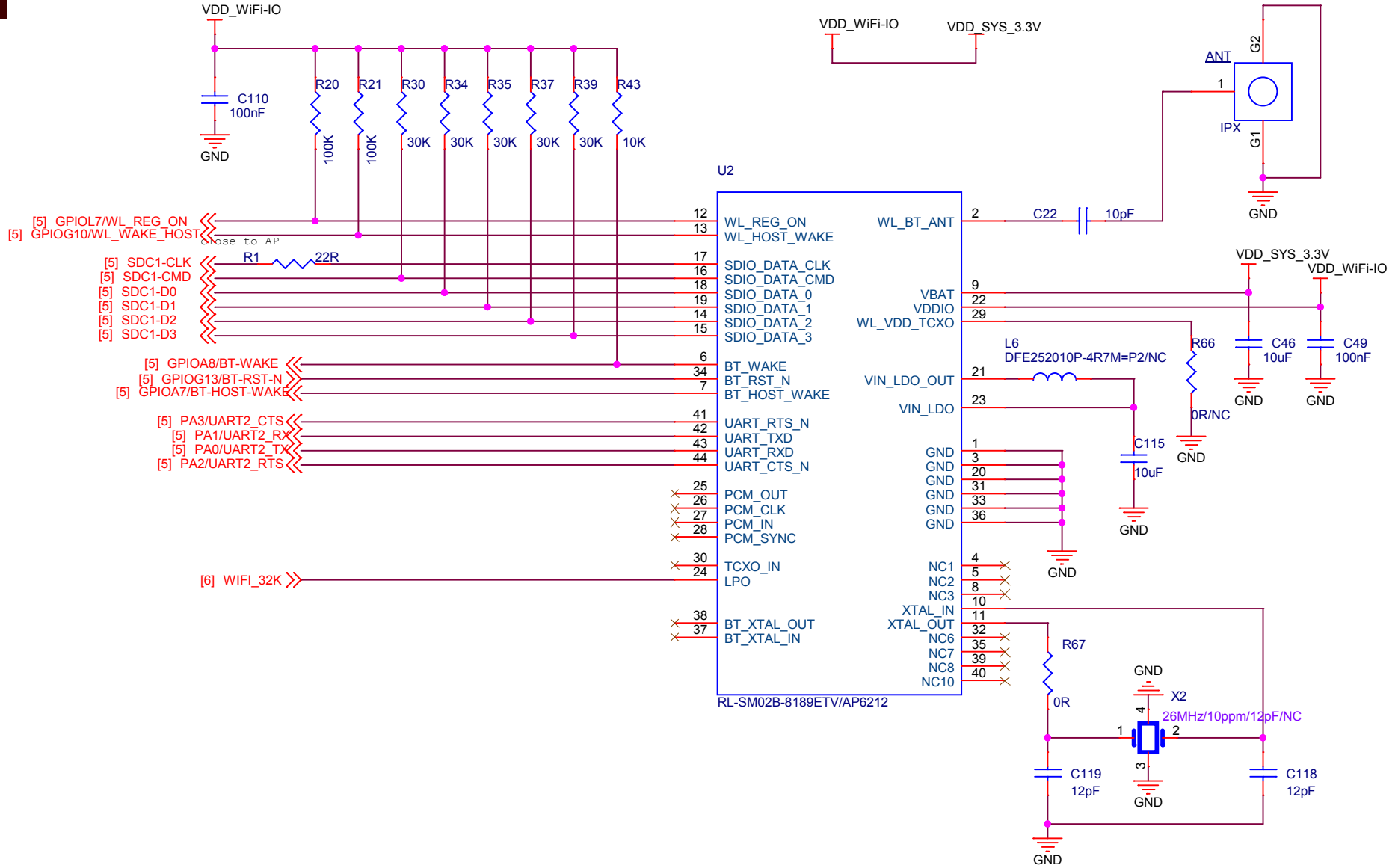




# GPIO,LEDs,TF Card,SPI Flash



# WIFI



NanoPi Duo2		
Size A4	Document Number WIFI	Rev V1.0 1807
Date:	Tuesday, January 15, 2019	Sheet 10 of 11

# Camera

