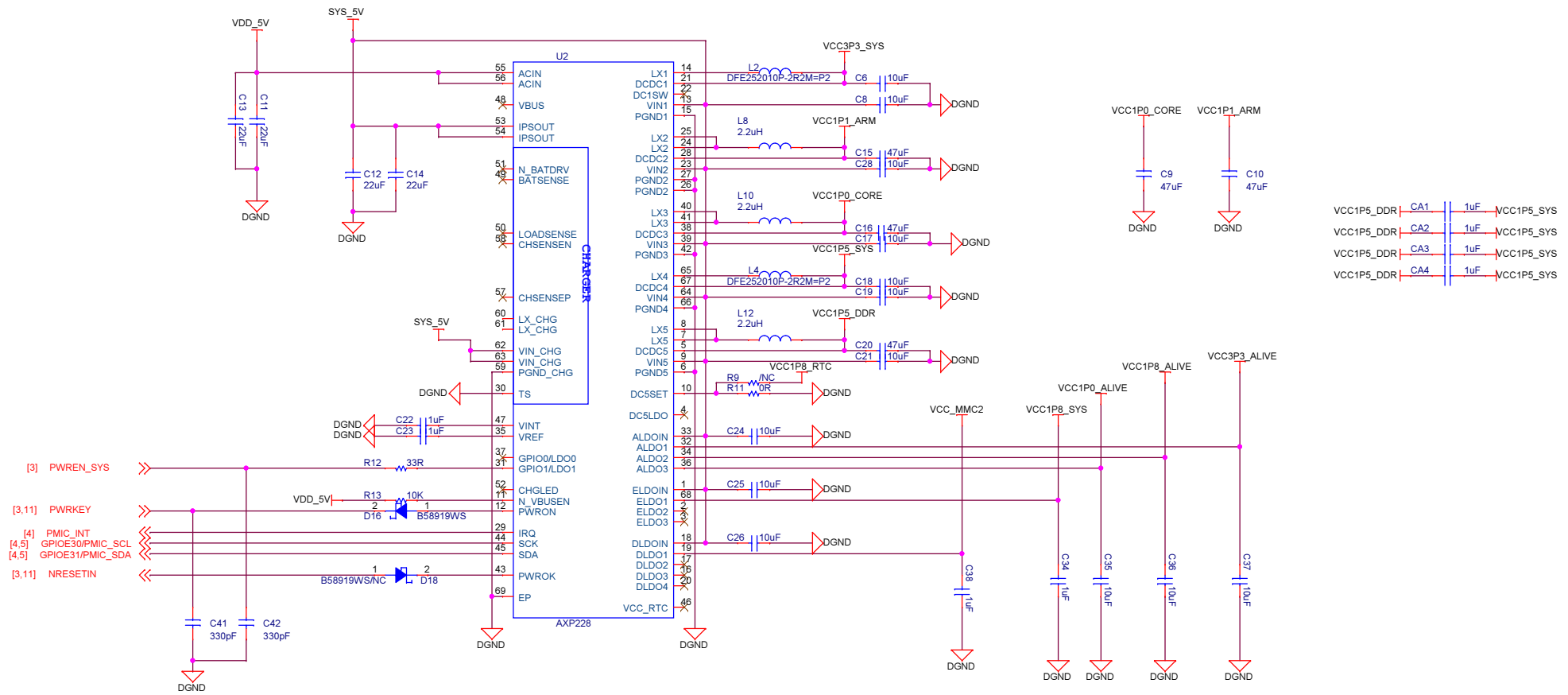


NanoPi S2

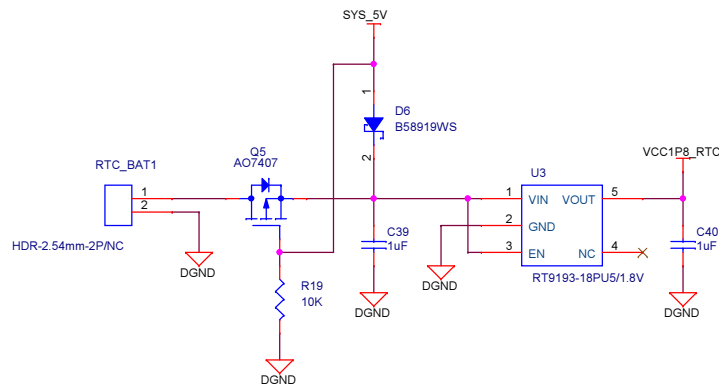
Revision
- 1609 , First Version

FRIENDLYARM

NanoPi S2		
Size A3	Document Number 01.Title	Rev 1609
Date:	Tuesday, October 18, 2016	Sheet 1 of 14



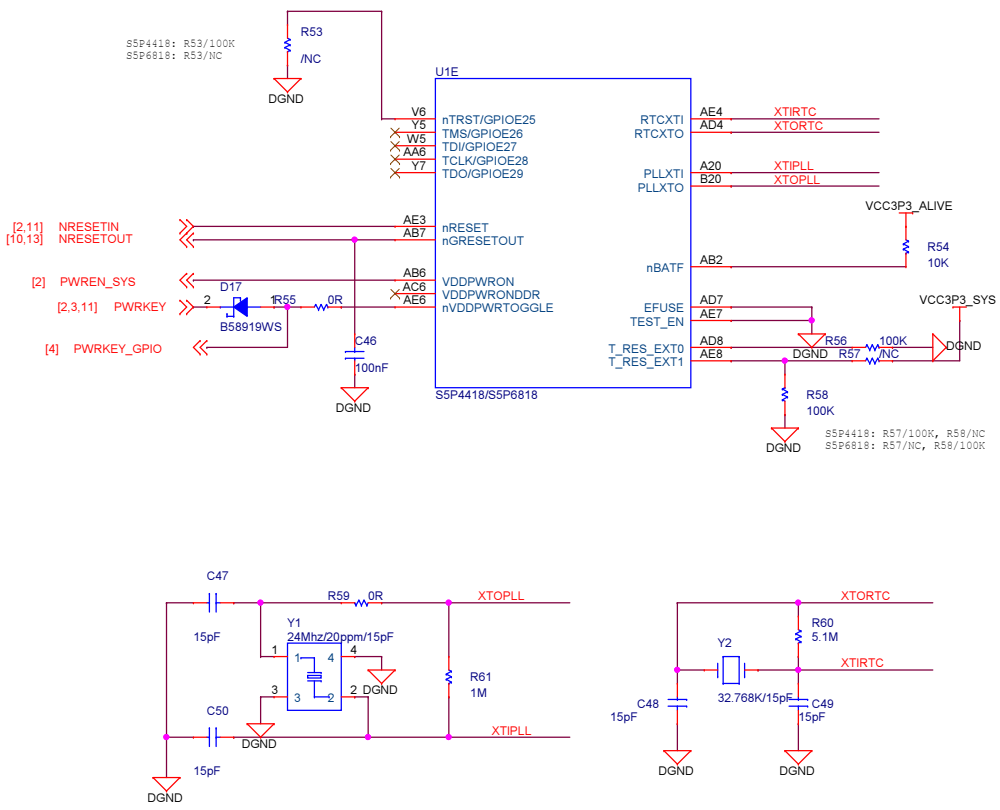
RTC Power



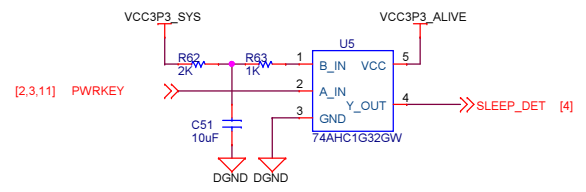
FRIENDLYARM

NanoPi S2		
Size A3	Document Number 02.PMIC	Rev 1609
Date Tuesday, October 18, 2016	Sheet 2	of 14

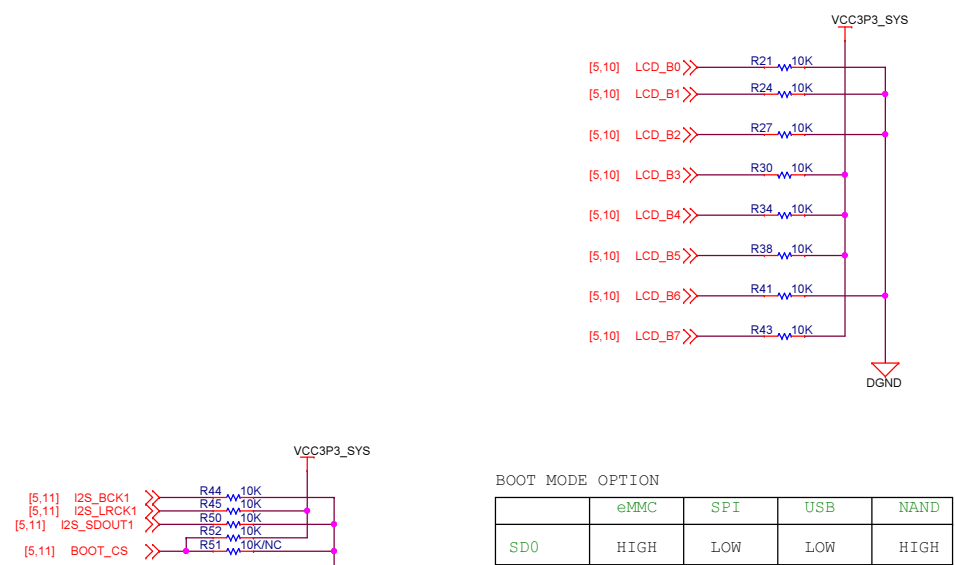
System Reset, Clocks



Sleep Detect



Boot Mode Config



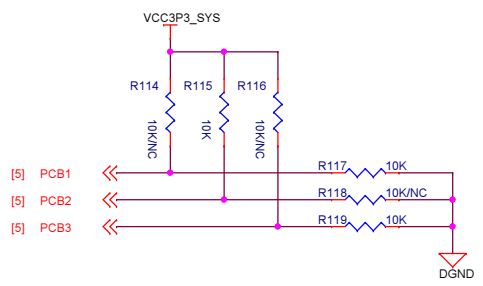
BOOT MODE OPTION

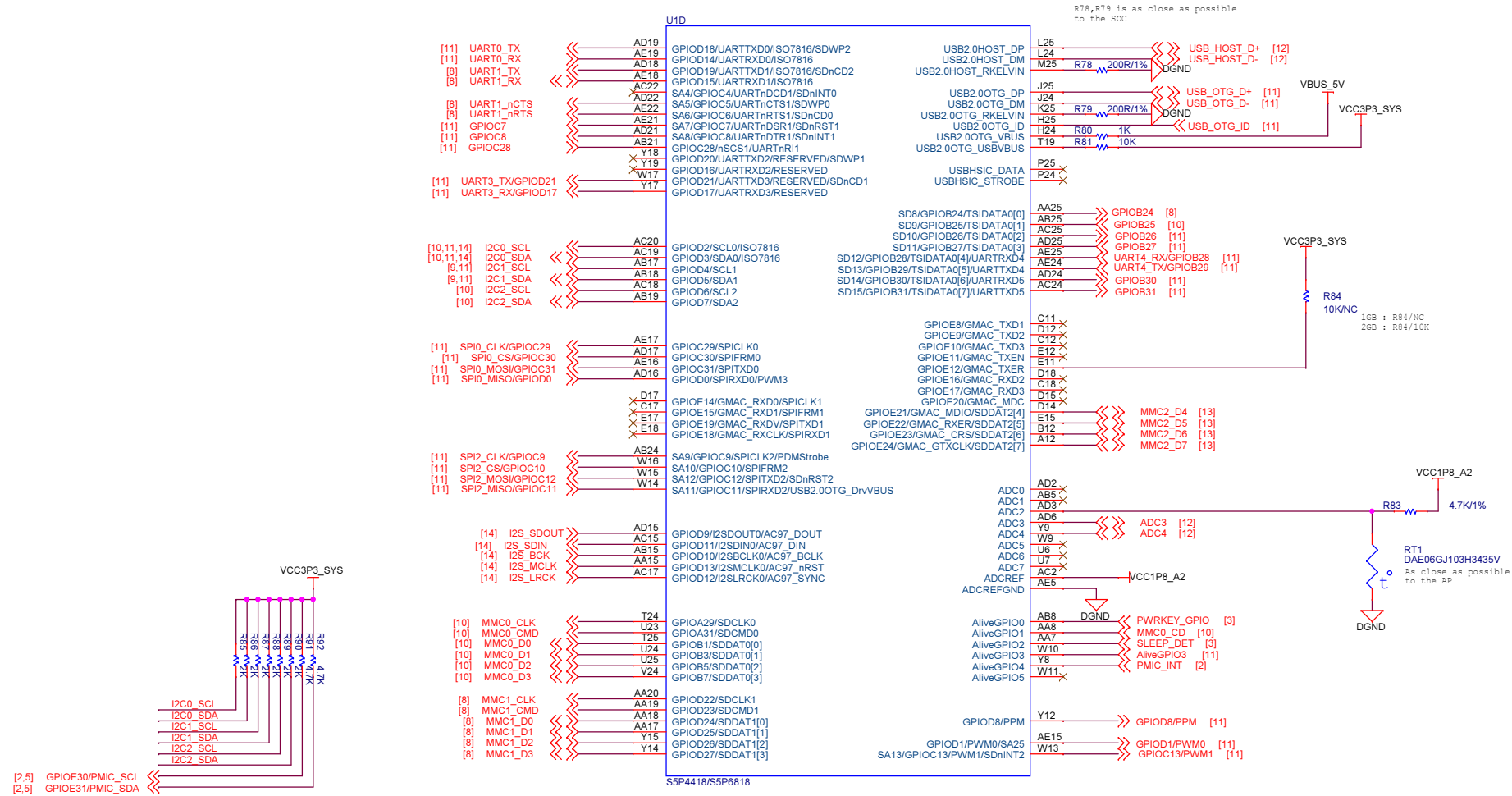
	eMMC	SPI	USB	NAND
SD0	HIGH	LOW	LOW	HIGH
SD1	LOW	LOW	HIGH	HIGH
SD2	HIGH	HIGH	HIGH	HIGH
SD4	LOW	HIGH		
SD5	LOW	LOW		

Boot media port select (SPI, eMMC)

	CH0	CH1	CH2
SD3	LOW	HIGH	LOW
CAM1_D3	LOW	LOW	HIGH

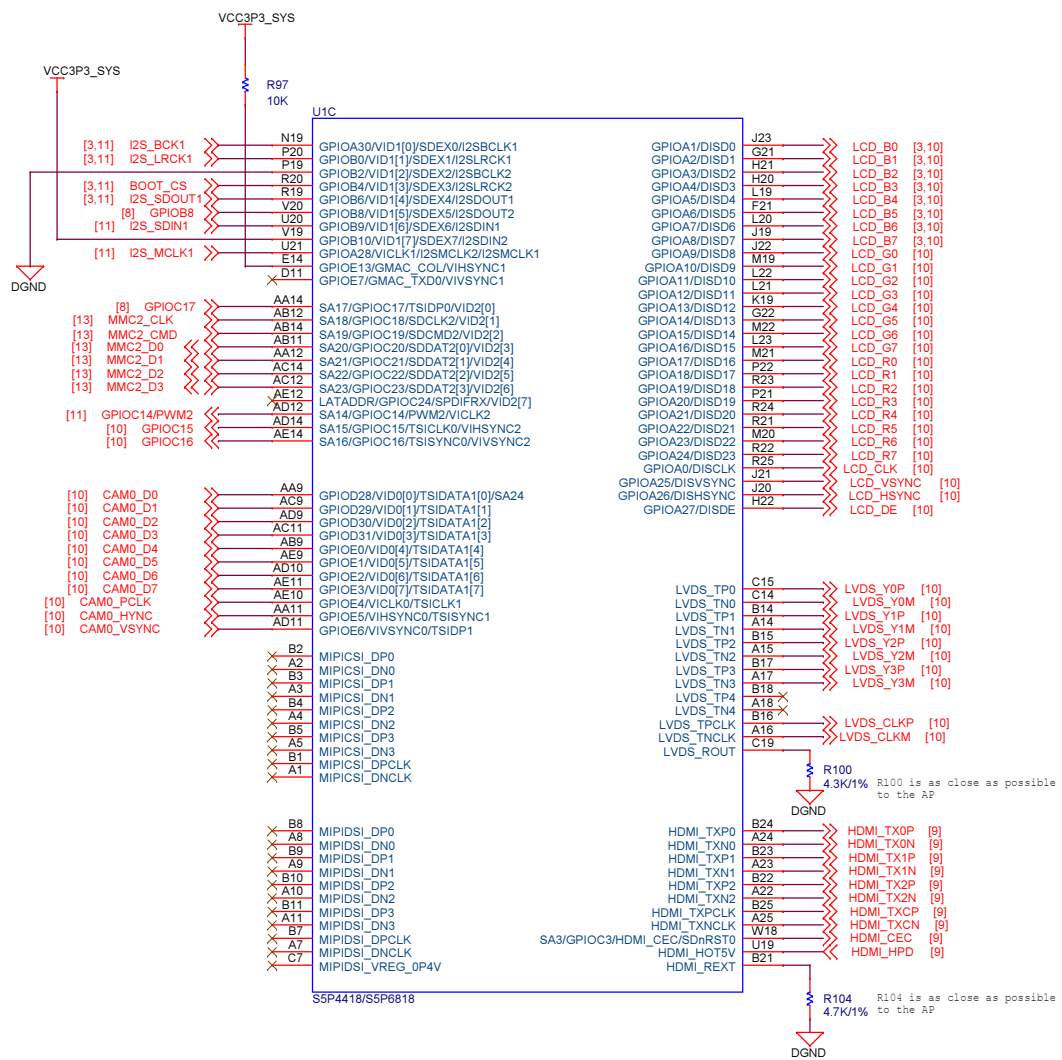
PCB Version



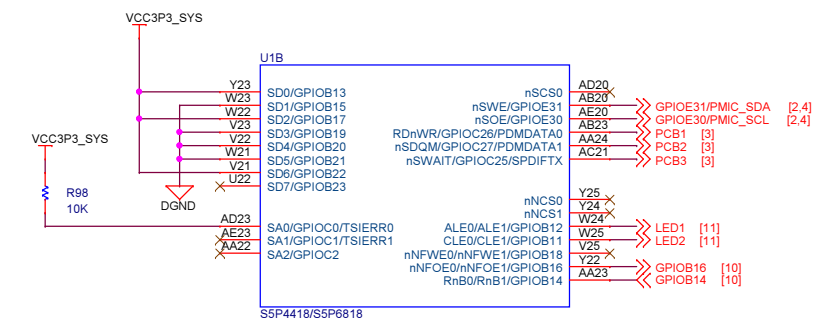
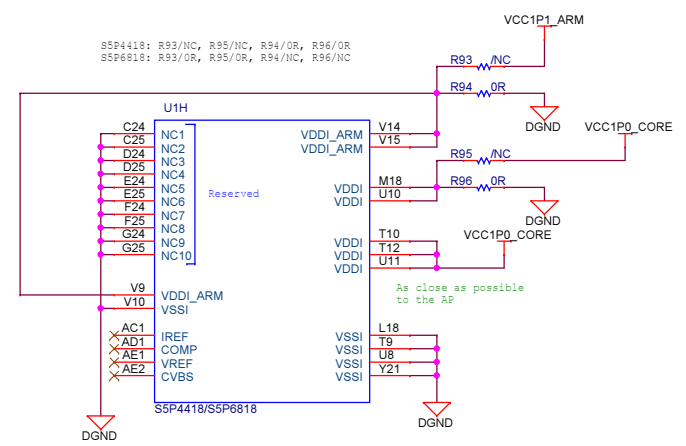


I2C CH0 : Camera
 I2C CH1 : HDMI EDID
 I2C CH2 : Touch
 PMIC_I2C : PMIC

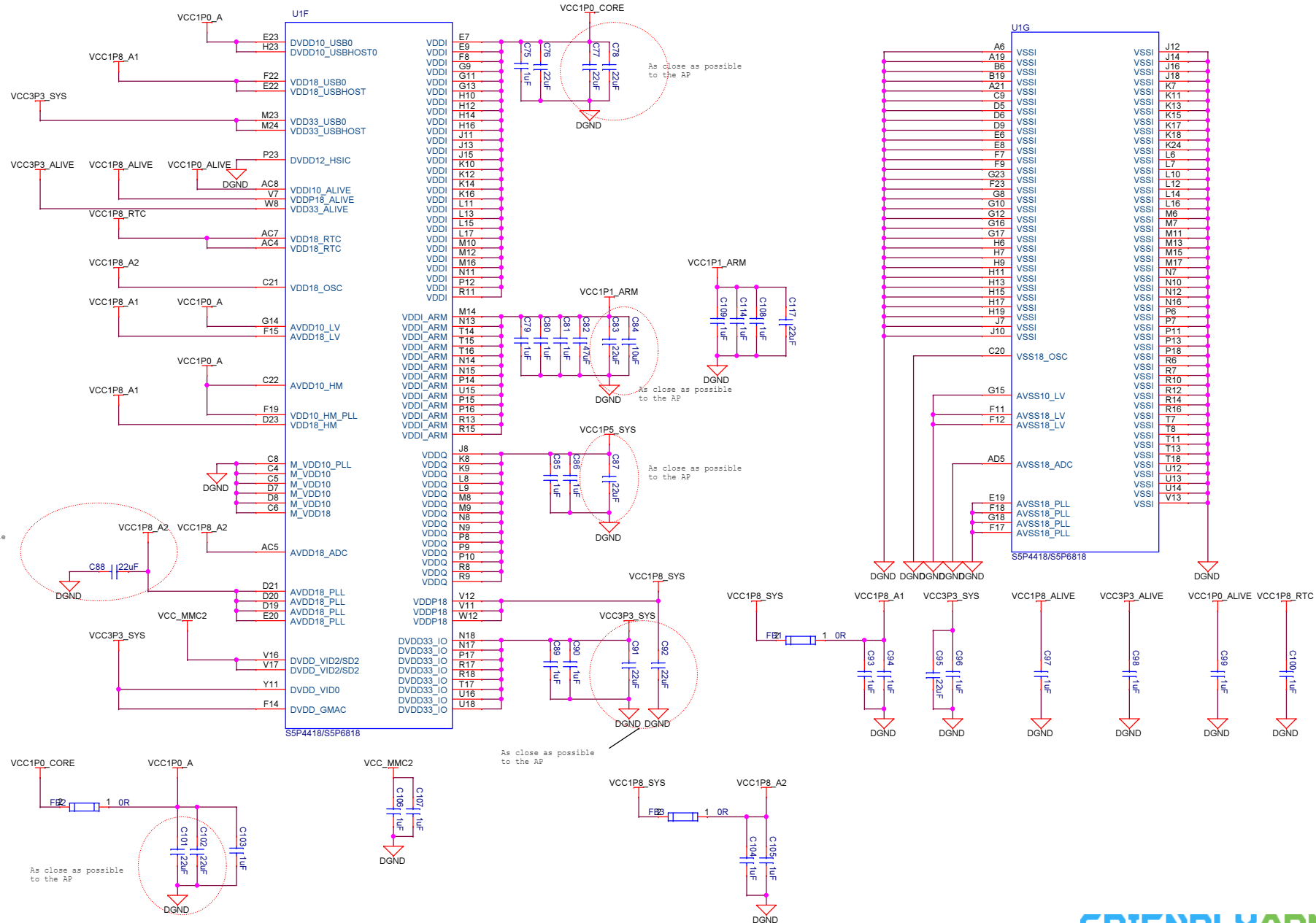


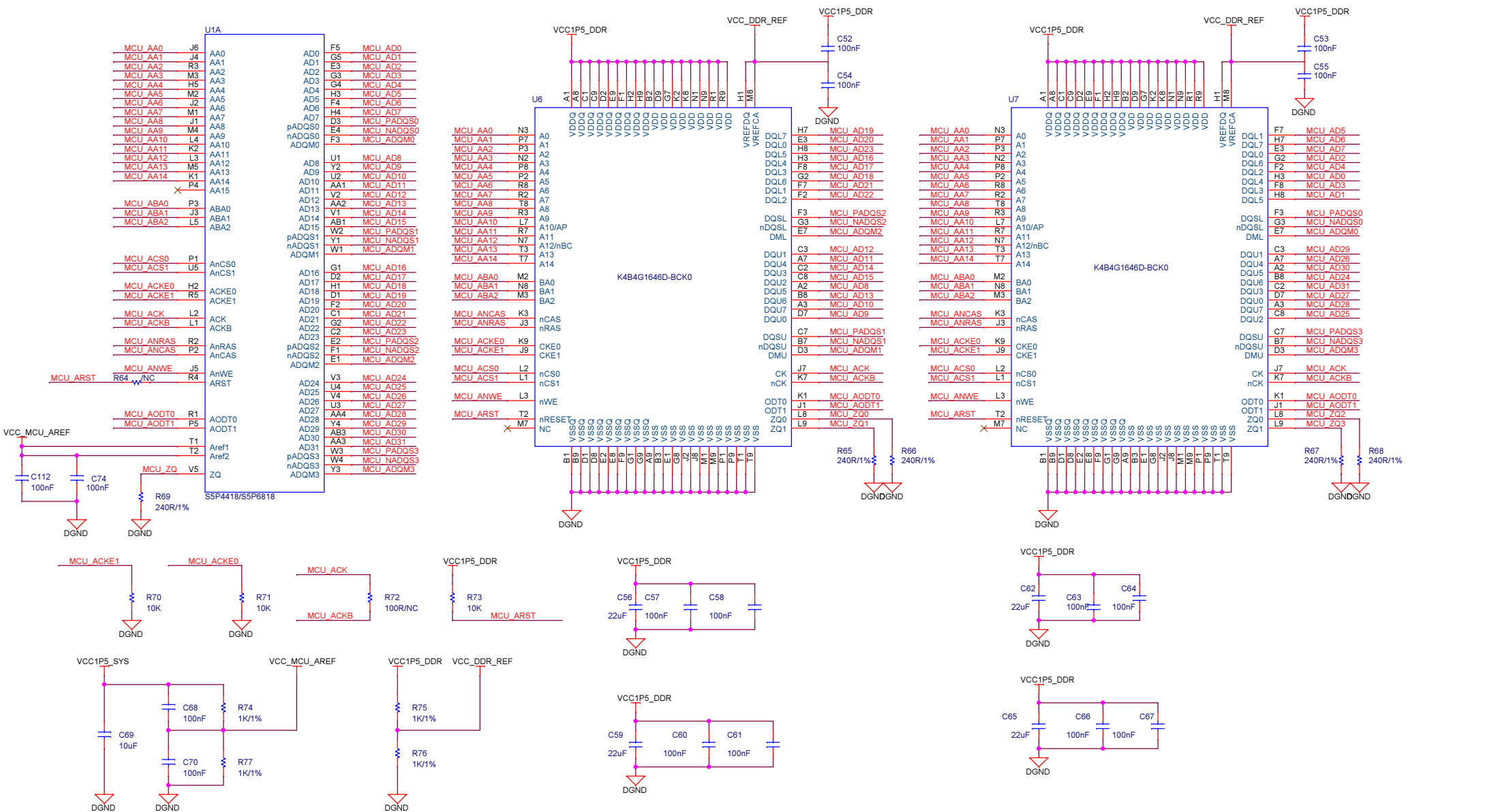


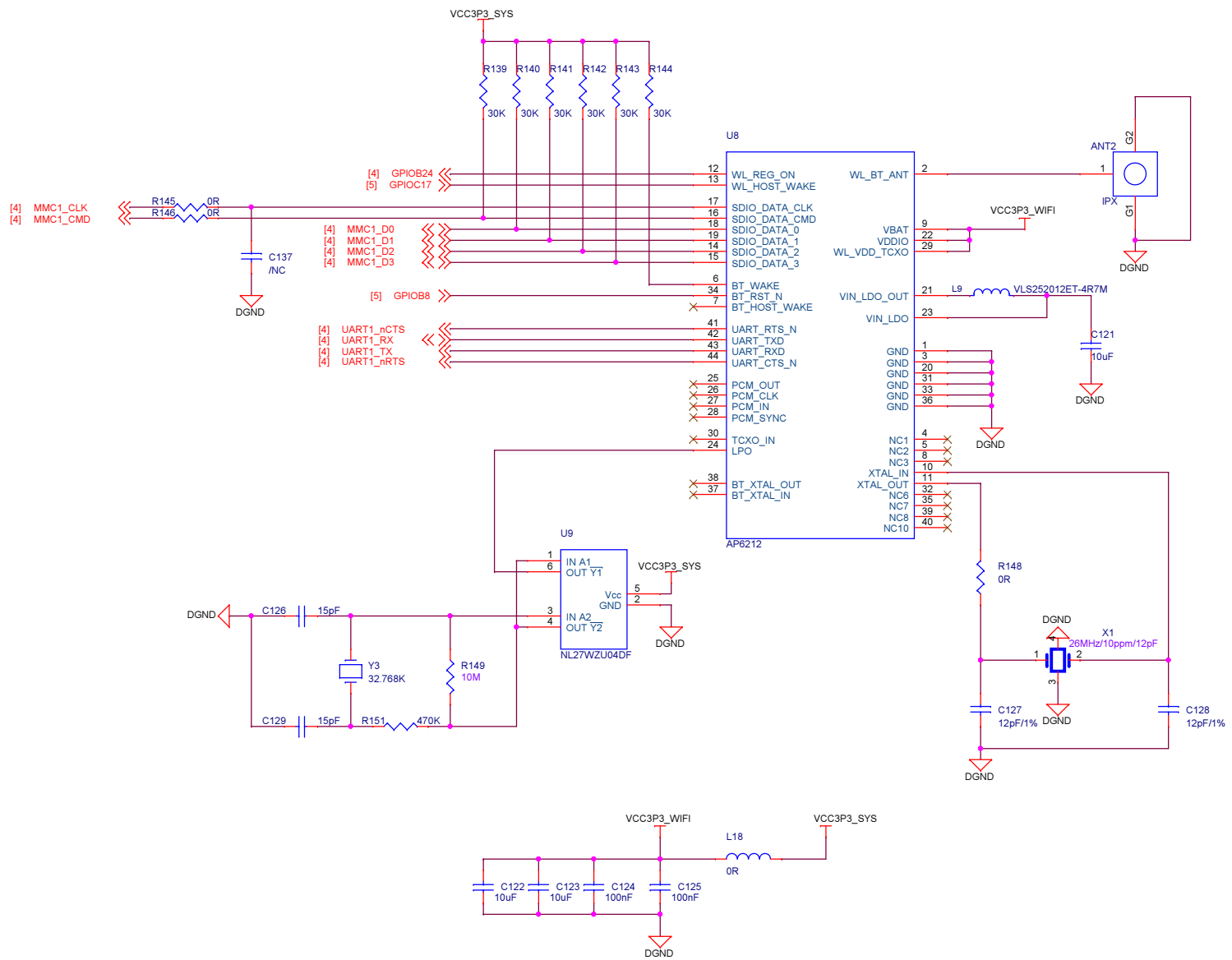
Reserved Function



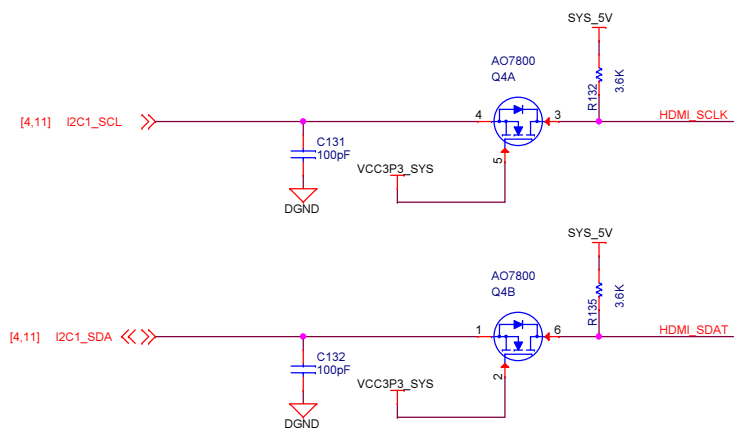
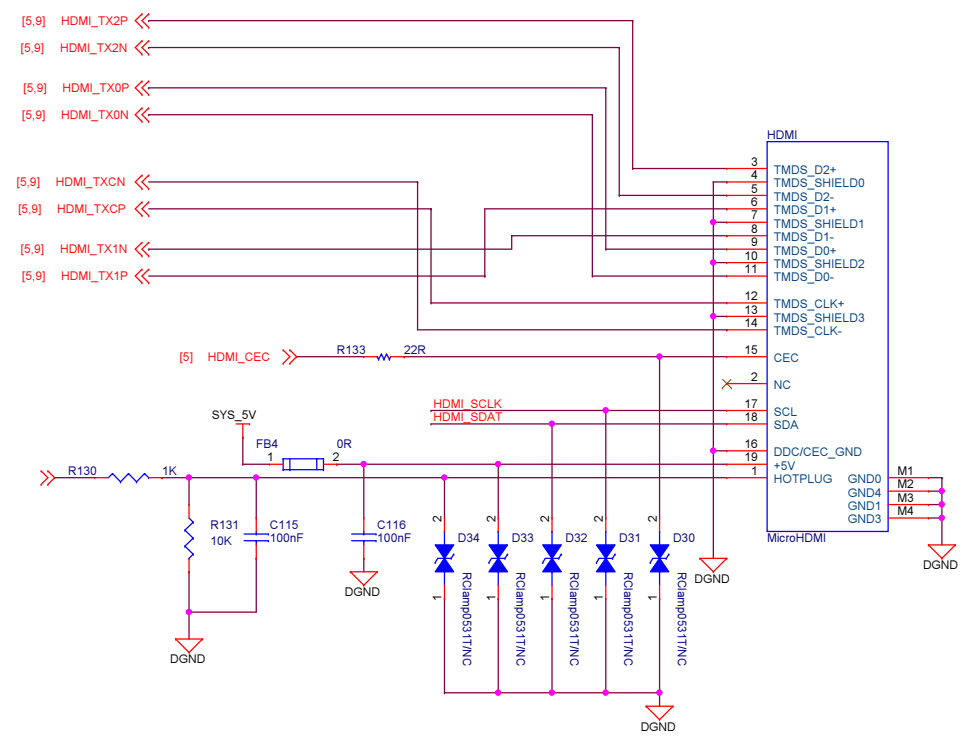
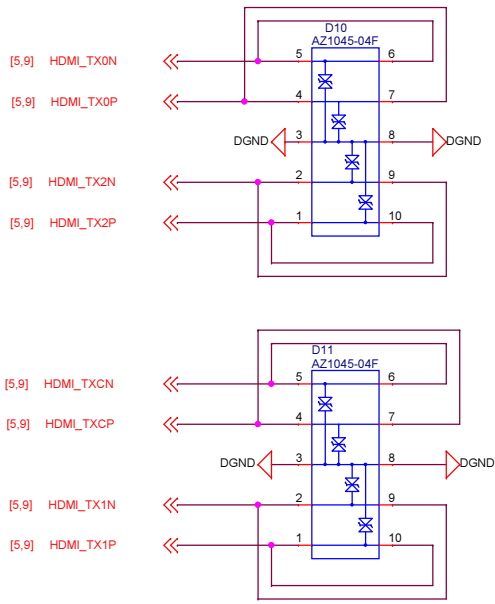
NanoPi S2		
Size A3	Document Number 05.AP VIP&Display	Rev 1609
Date: Tuesday, October 18, 2016	Sheet 5	of 14



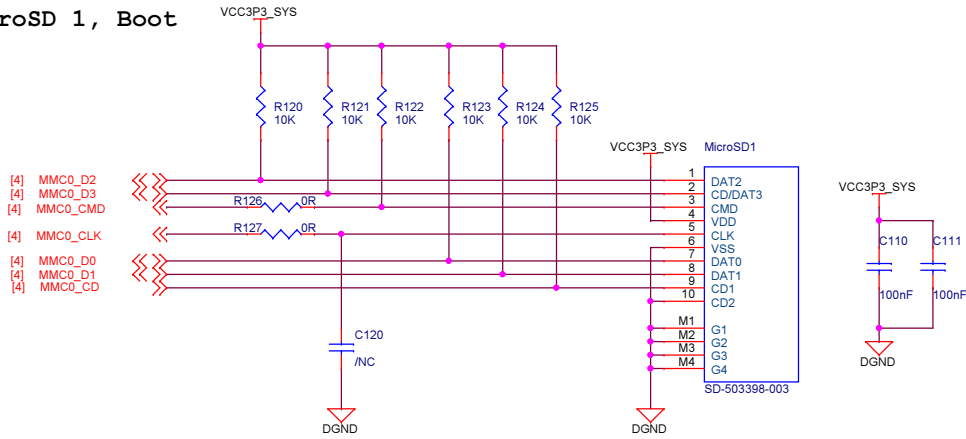




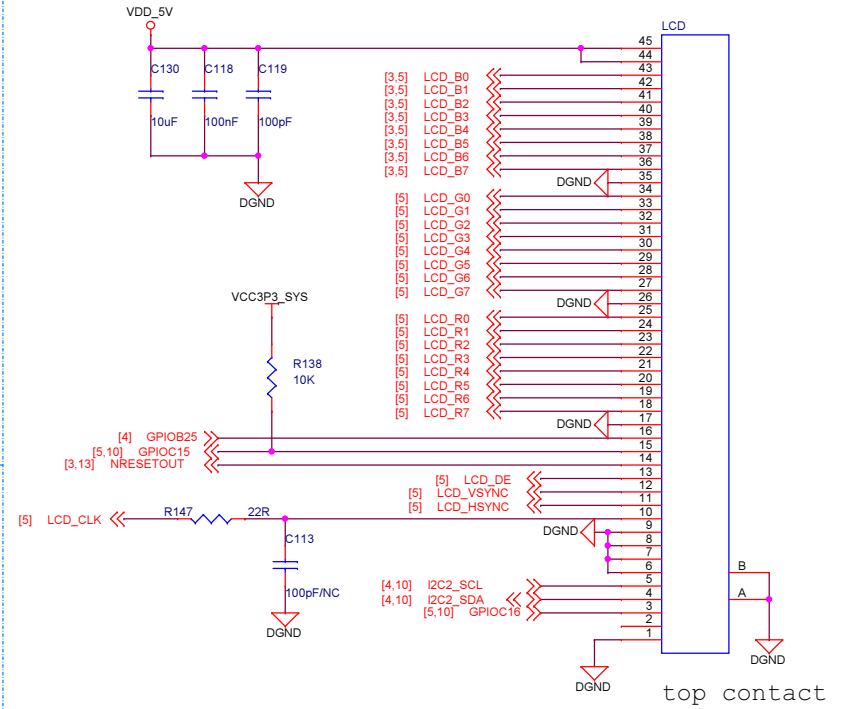
NanoPi S2		
Size A3	Document Number 08-Vi-Fi&BT	Rev 1609
Date: Tuesday, October 18, 2016	Sheet 8	of 14



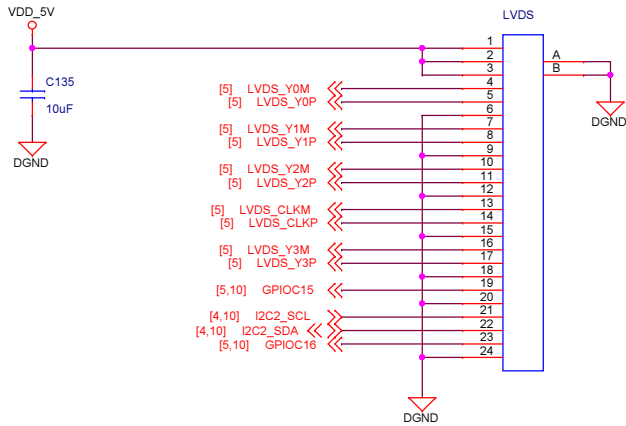
MicroSD 1, Boot



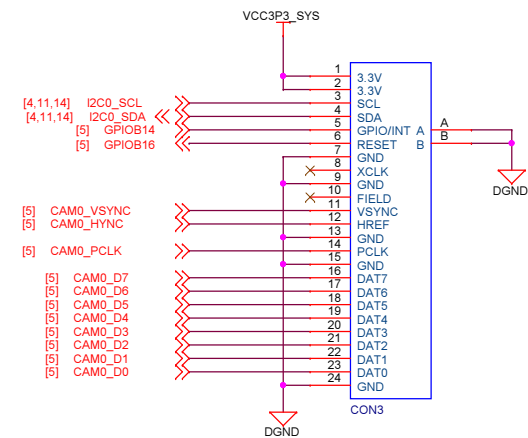
RGB LCD Interface



LVDS

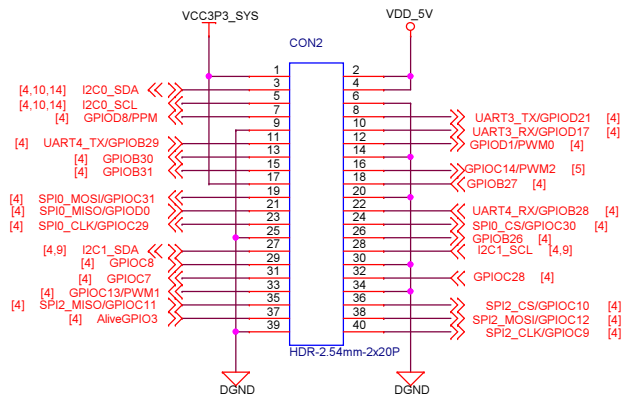


Camera Interface

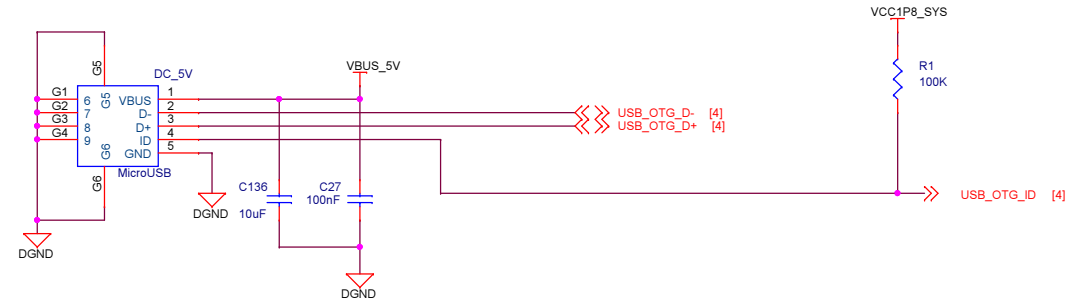


FRIENDLYARM

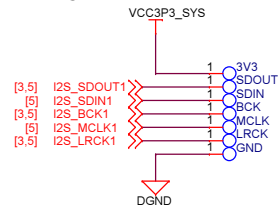
2.54mm Header



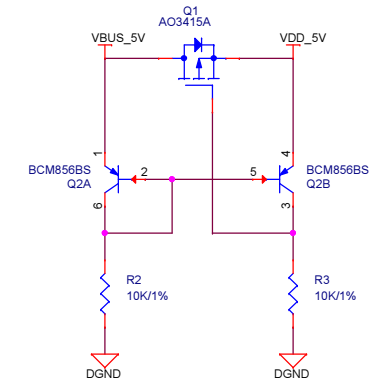
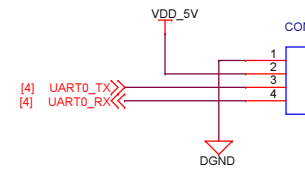
MicroUSB



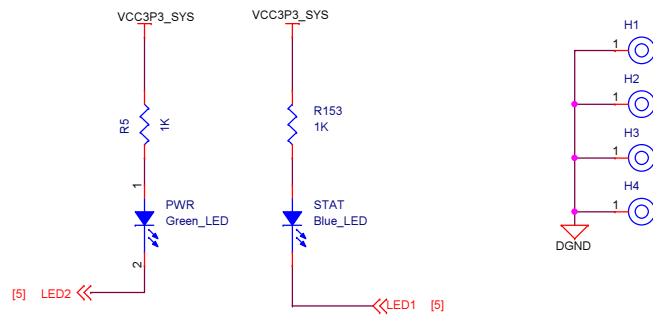
I2S



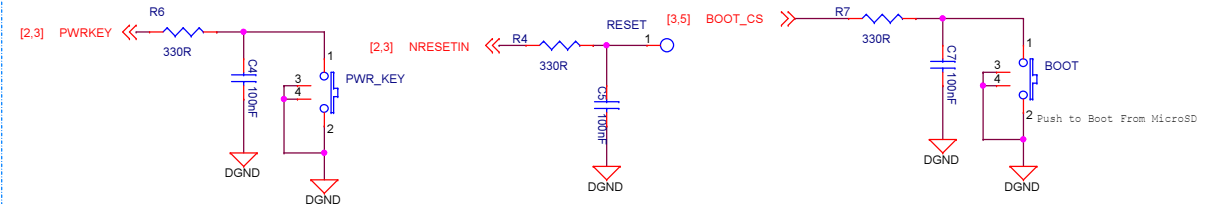
Debug UART



LEDs



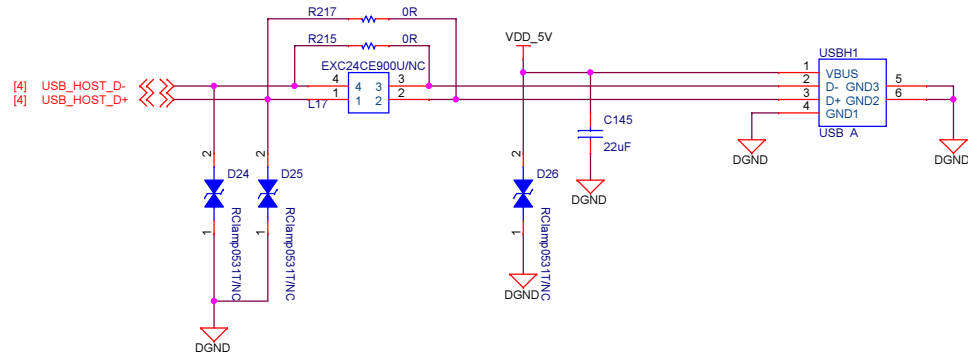
Buttons



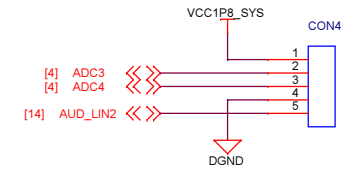
FRIENDLYARM

NanoPi S2		
Size A3	Document Number 11.Header,USB,LEDs,Buttons	Rev 1609
Date: Tuesday, October 18, 2016	Sheet 11	of 14

USB 2.0 Host

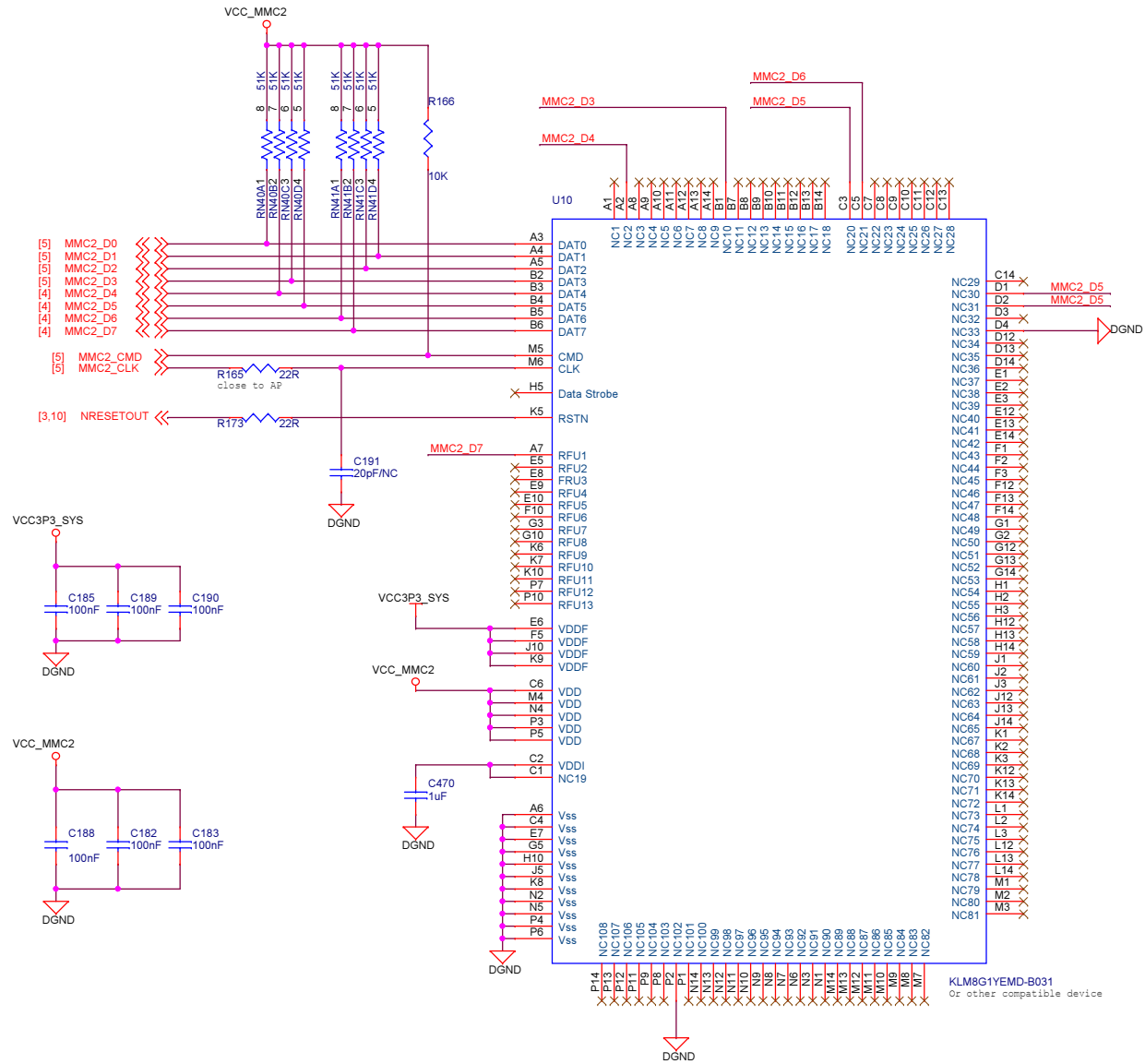


ADC, Line-IN



FRIENDLYARM

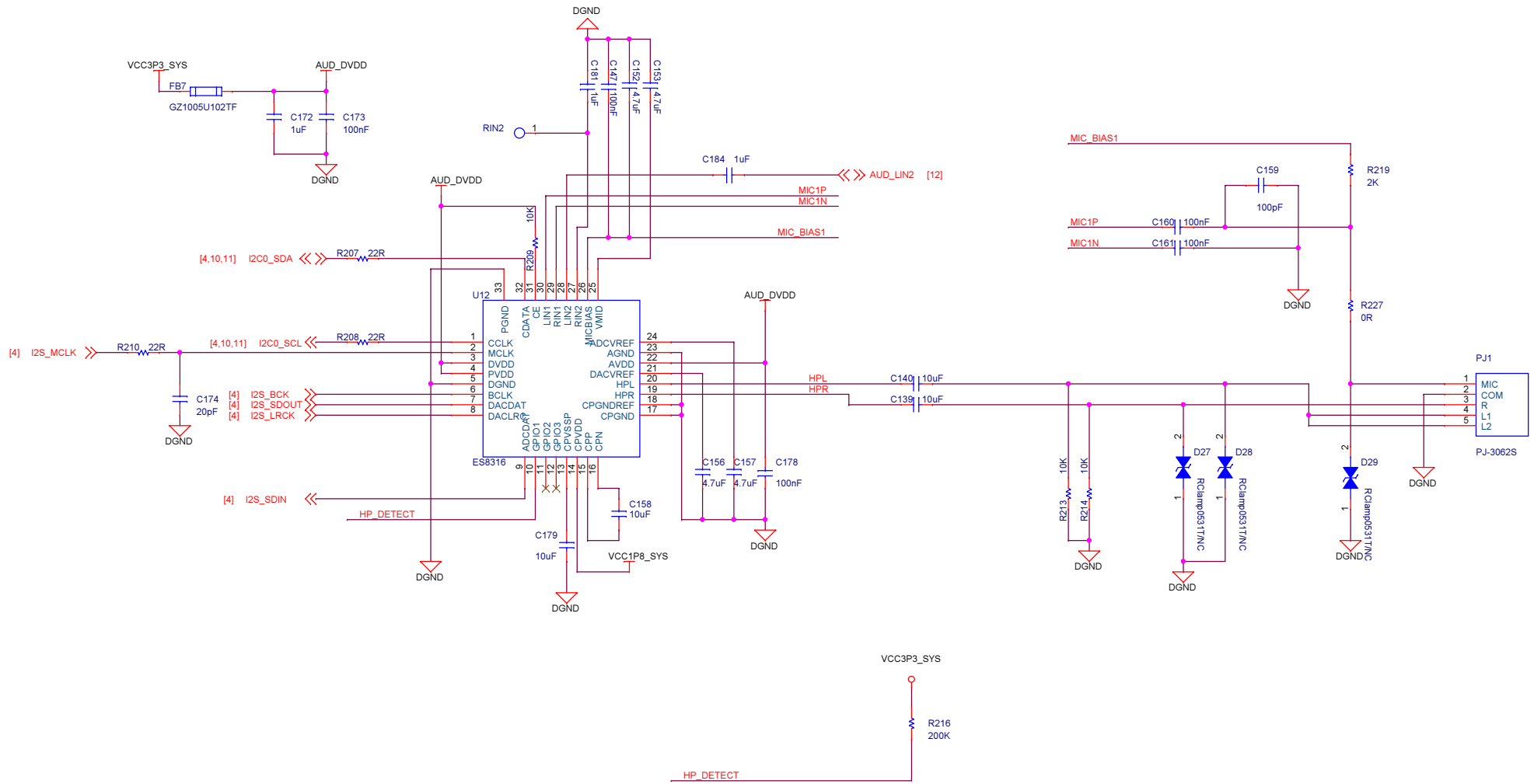
NanoPi S2		
Size A3	Document Number 12.USB-Host	Rev 1609
Date:	Tuesday, October 18, 2016	Sheet 12 of 14



FRIENDLYARM

NanoPi S2		
Size A3	Document Number 13.eMMC	Rev 1609
Date: Tuesday, October 18, 2016	Sheet 13	of 14

Audio



FRIENDLYARM

NanoPi S2		
Size A3	Document Number 14_Audio	Rev 1609
Date: Tuesday, October 18, 2016	Sheet 14	of 14