

# NanoPC-T3 Plus

1709

2020/01/13:

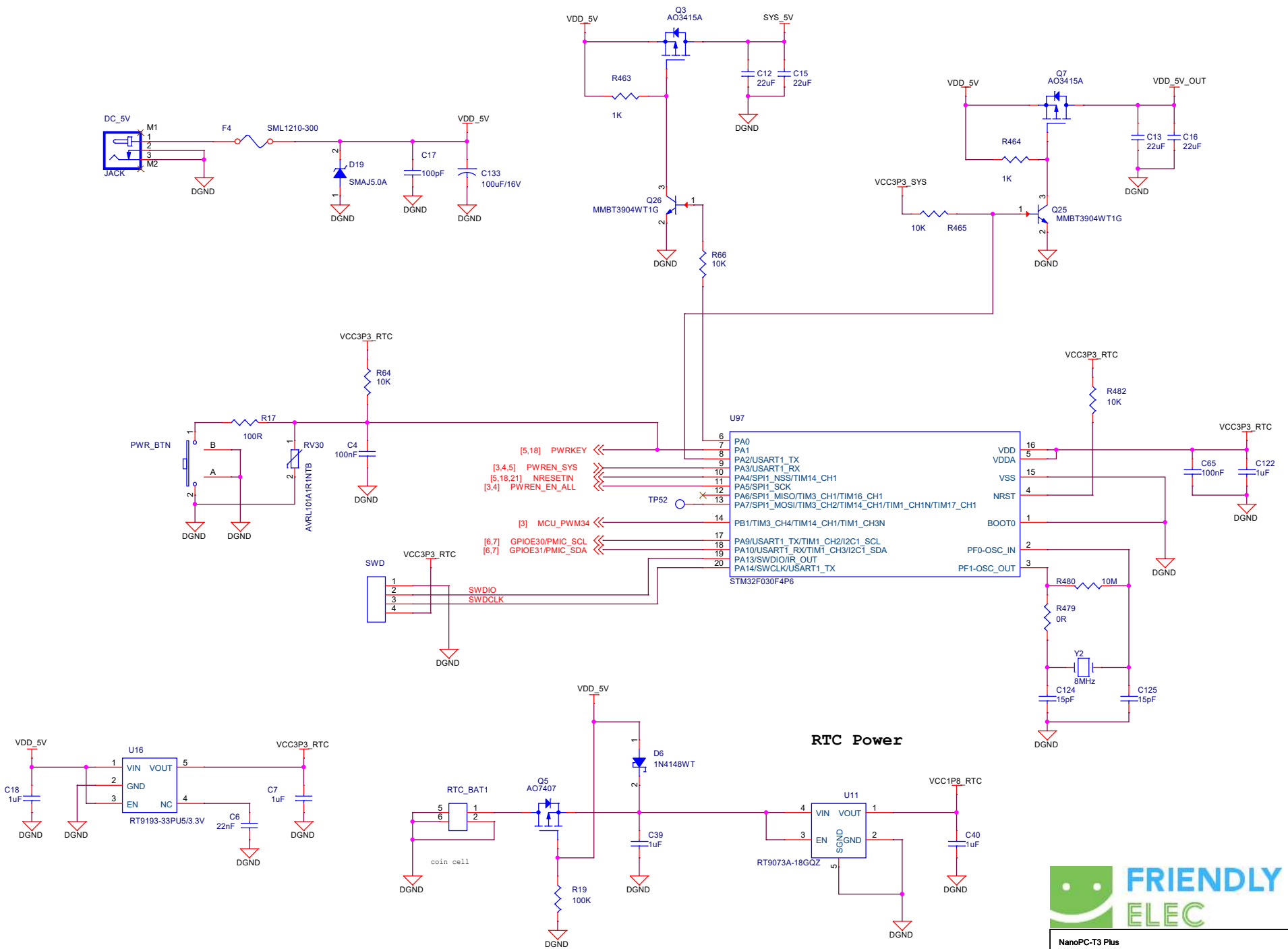
R463 -> 1K, R486 -> 270K, R465 -> 270K, R464 -> 1K, R109 -> NC, C127 -> 10K

2022/12/07:

R66 -> 10K, R465 -> 10K

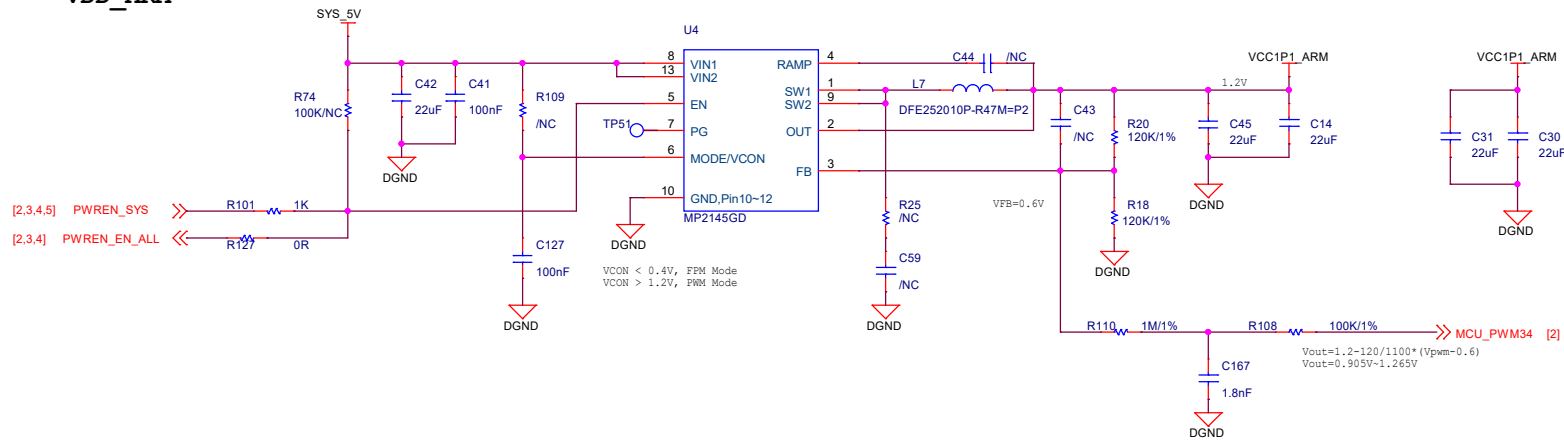


NanoPC-T3 Plus		
Size A3	Document Number 01.Title	Rev 1709
Date:	Wednesday, December 07, 2022	Sheet 1 of 21

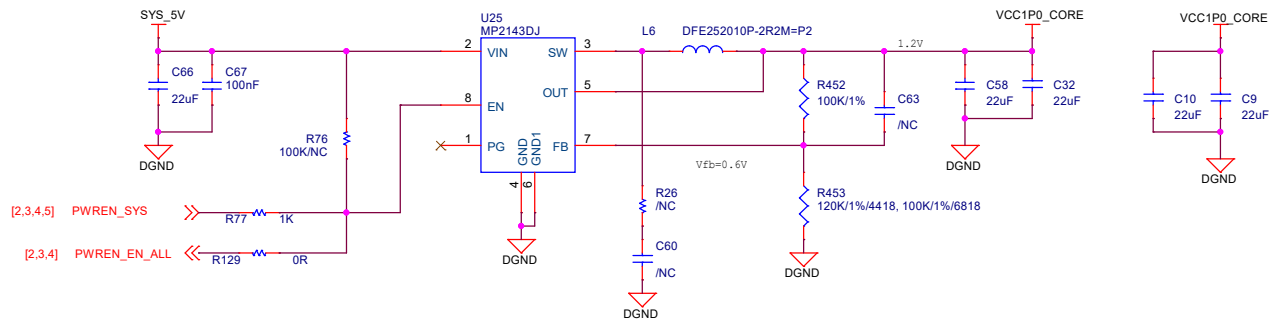


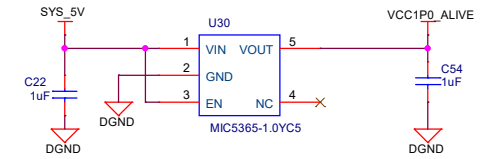
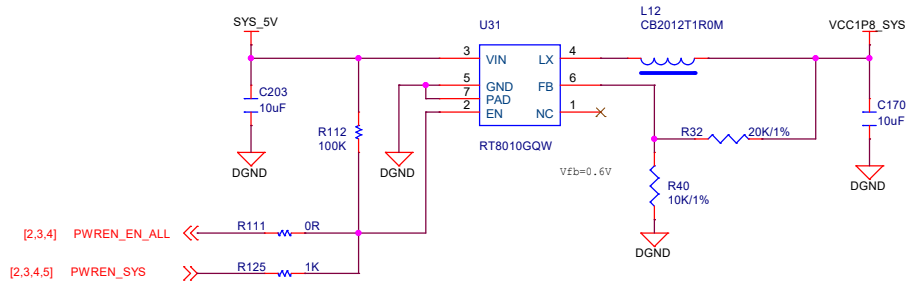
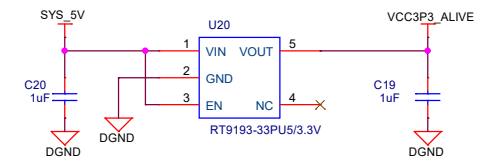
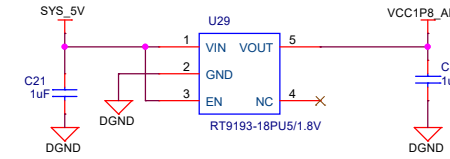
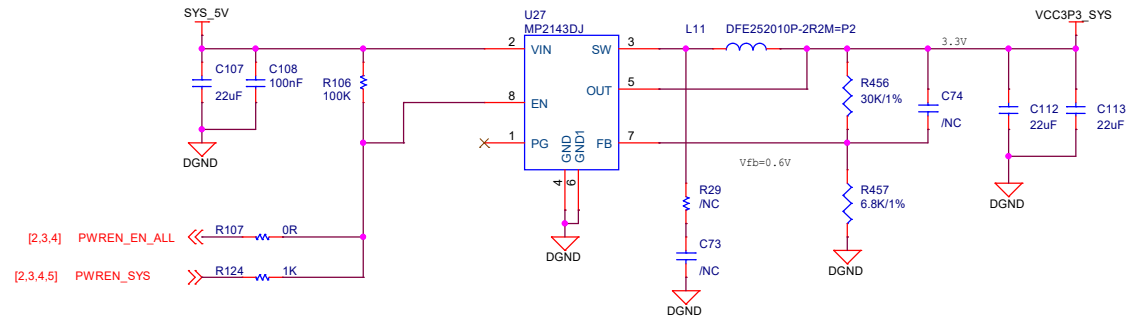
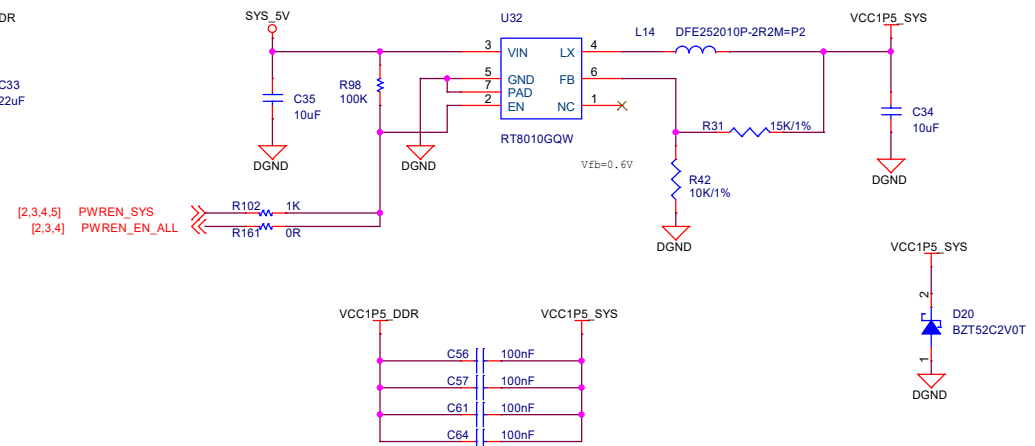
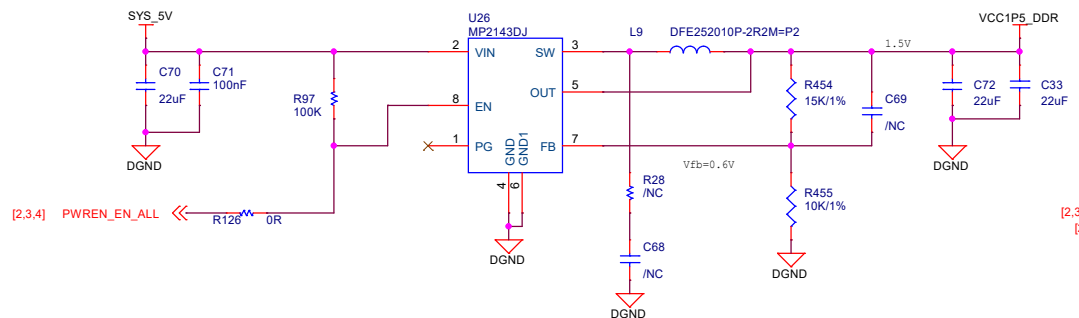
NanoPC-T3 Plus		
Size A3	Document Number 02.5VIN, RTC Power	Rev 1709
Date: Wednesday, December 07, 2022	Sheet 2	of 21

### VDD\_ARM

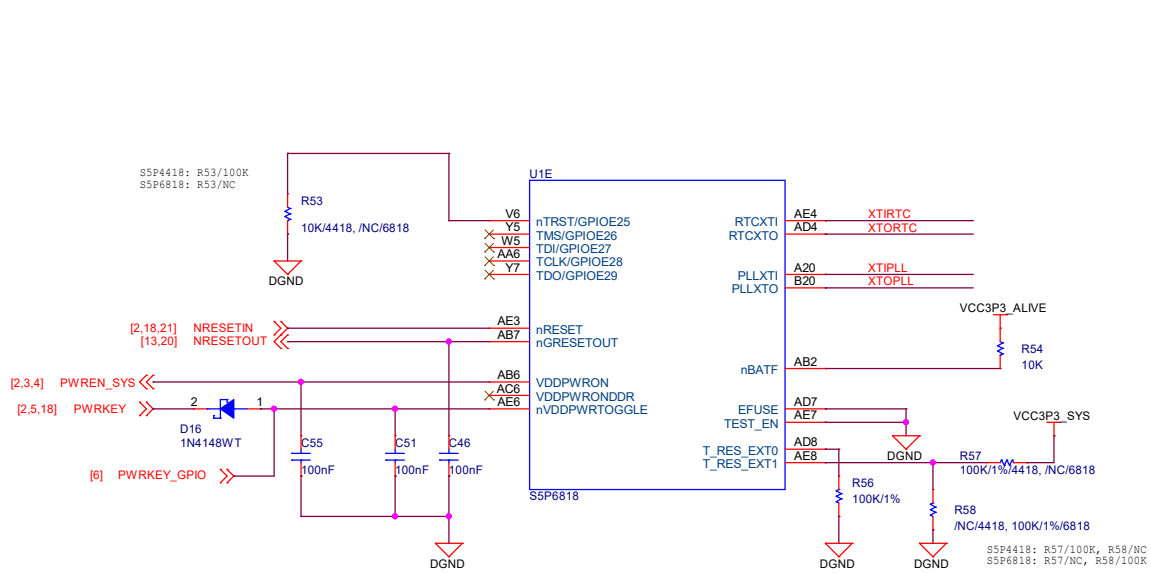


### VDD\_CORE

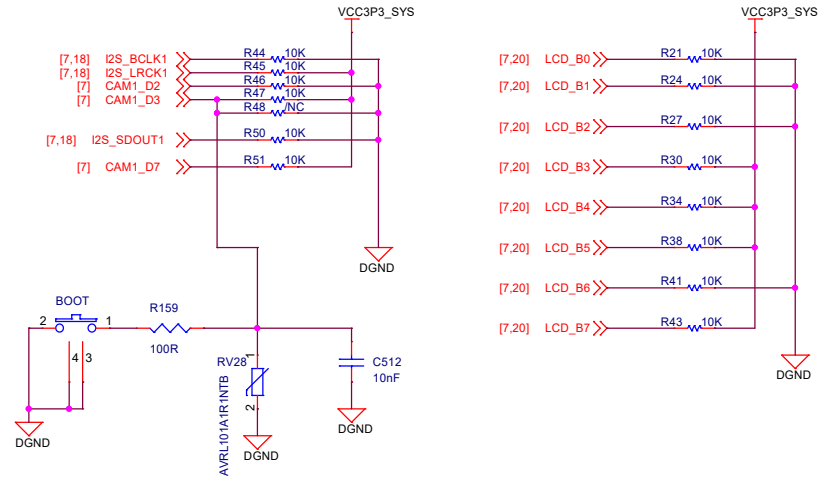




# System Reset, Clocks



# Boot Mode Config

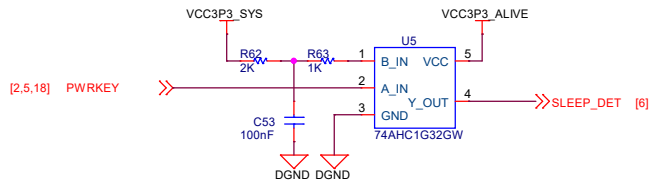
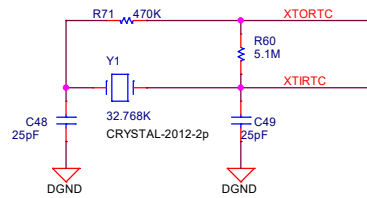
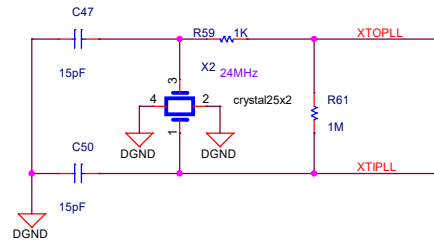


BOOT MODE OPTION

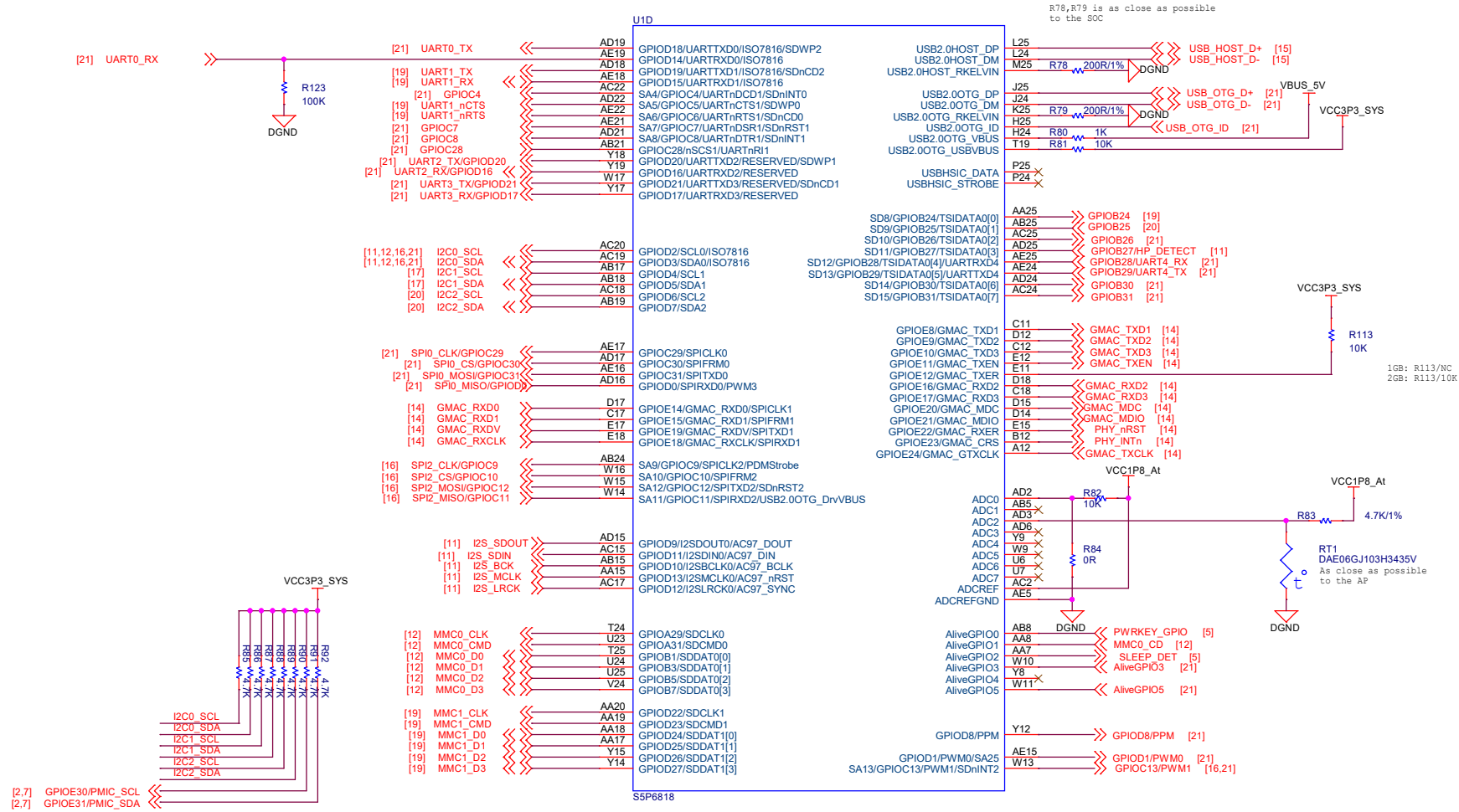
	eMMC	SPI	USB	NAND
SD0	HIGH	LOW	LOW	HIGH
SD1	LOW	LOW	HIGH	HIGH
SD2	HIGH	HIGH	HIGH	HIGH
SD4	LOW	HIGH		
SD5	LOW	LOW		

Boot media port select (SPI, eMMC)

	CH0	CH1	CH2
SD3	LOW	HIGH	LOW
CAM1_D3	LOW	LOW	HIGH



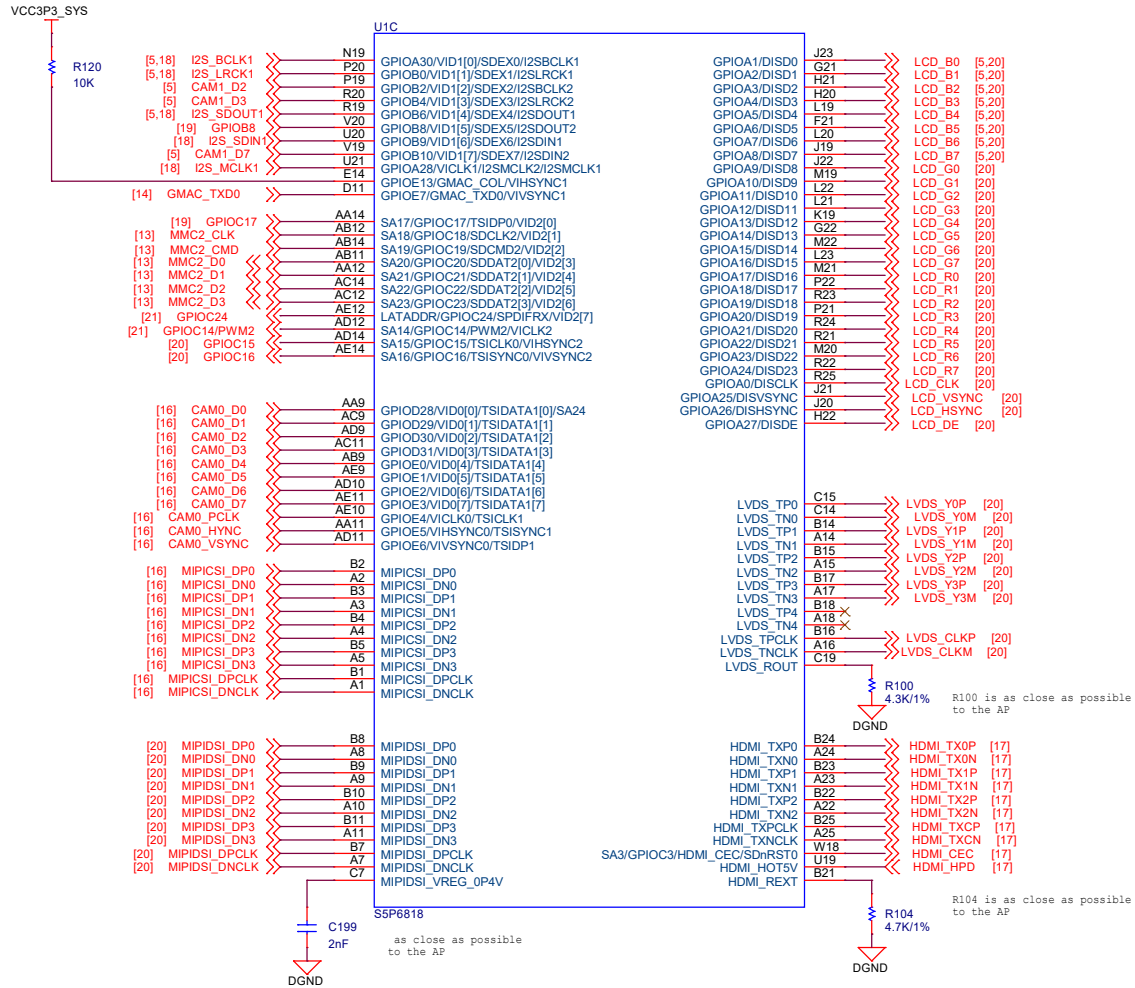
# AP Peripherals



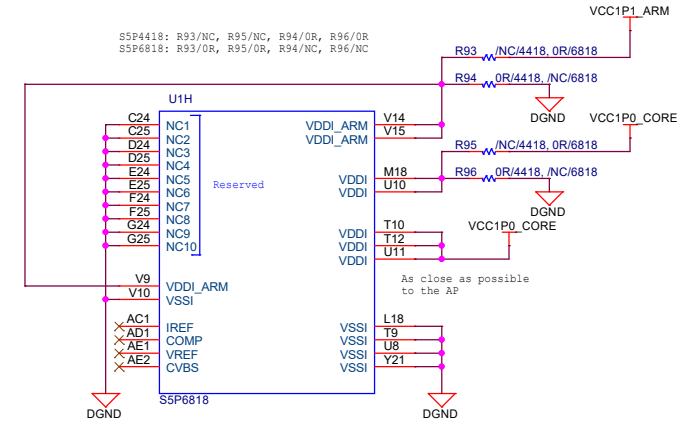
I2C CH0 : Camera  
 I2C CH1 : HDMI EDID  
 I2C CH2 : Touch  
 PMIC\_I2C : PMIC



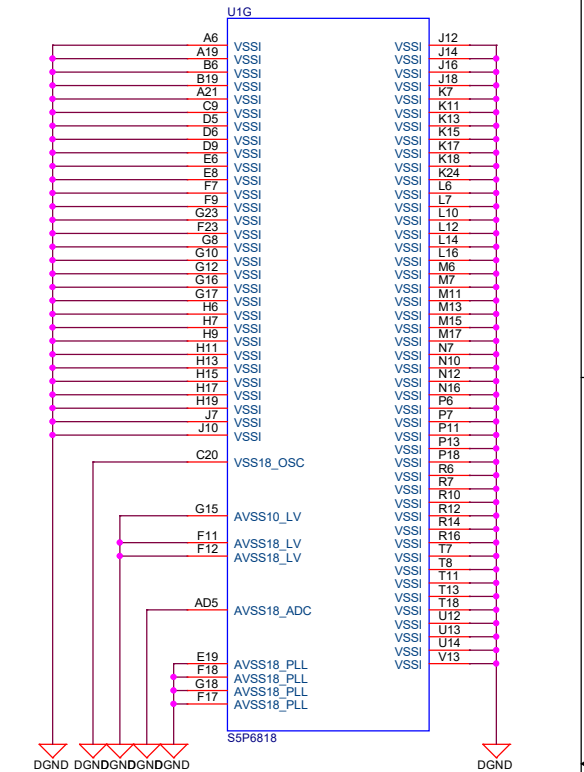
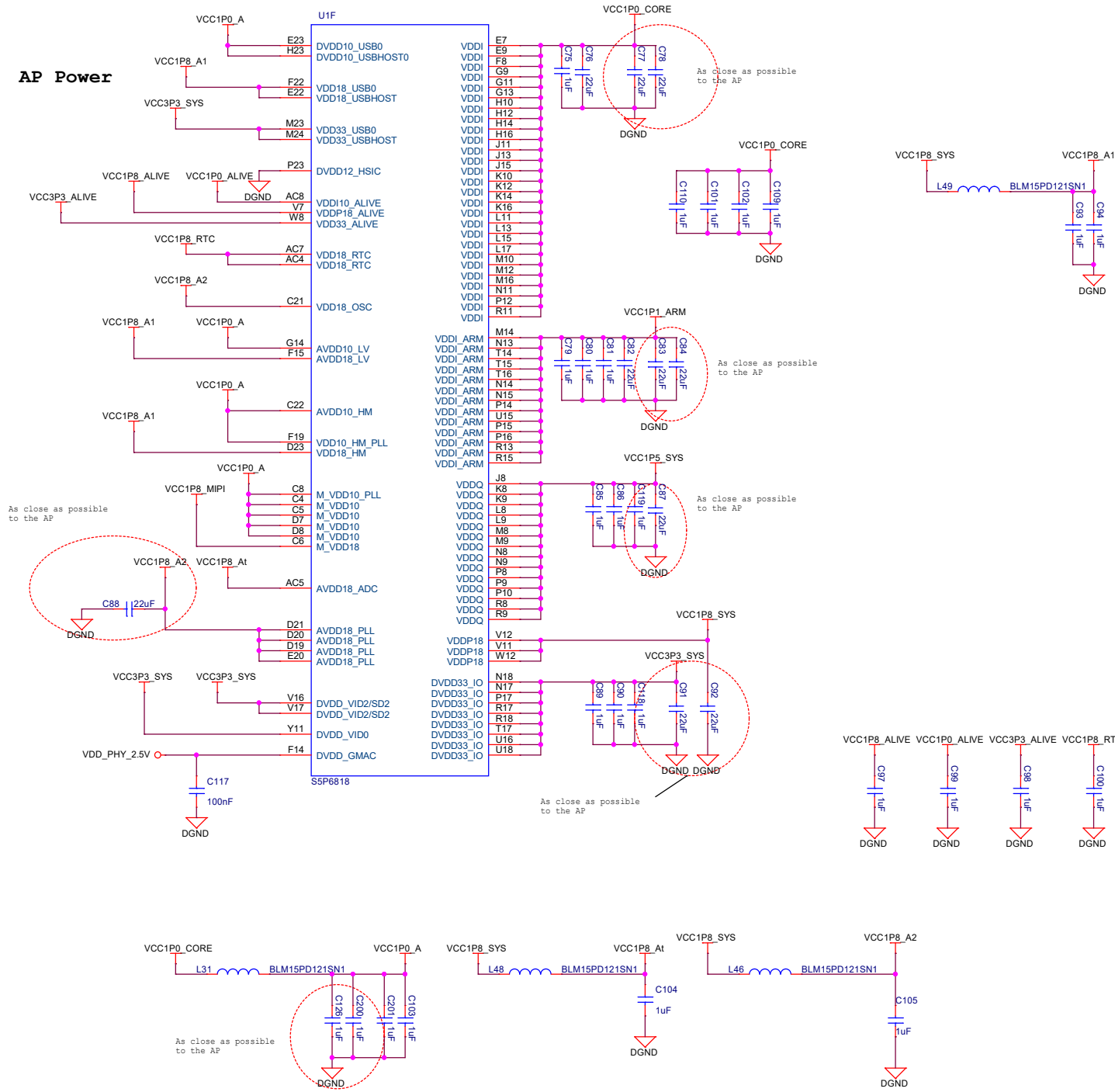
# AP VIP&Display



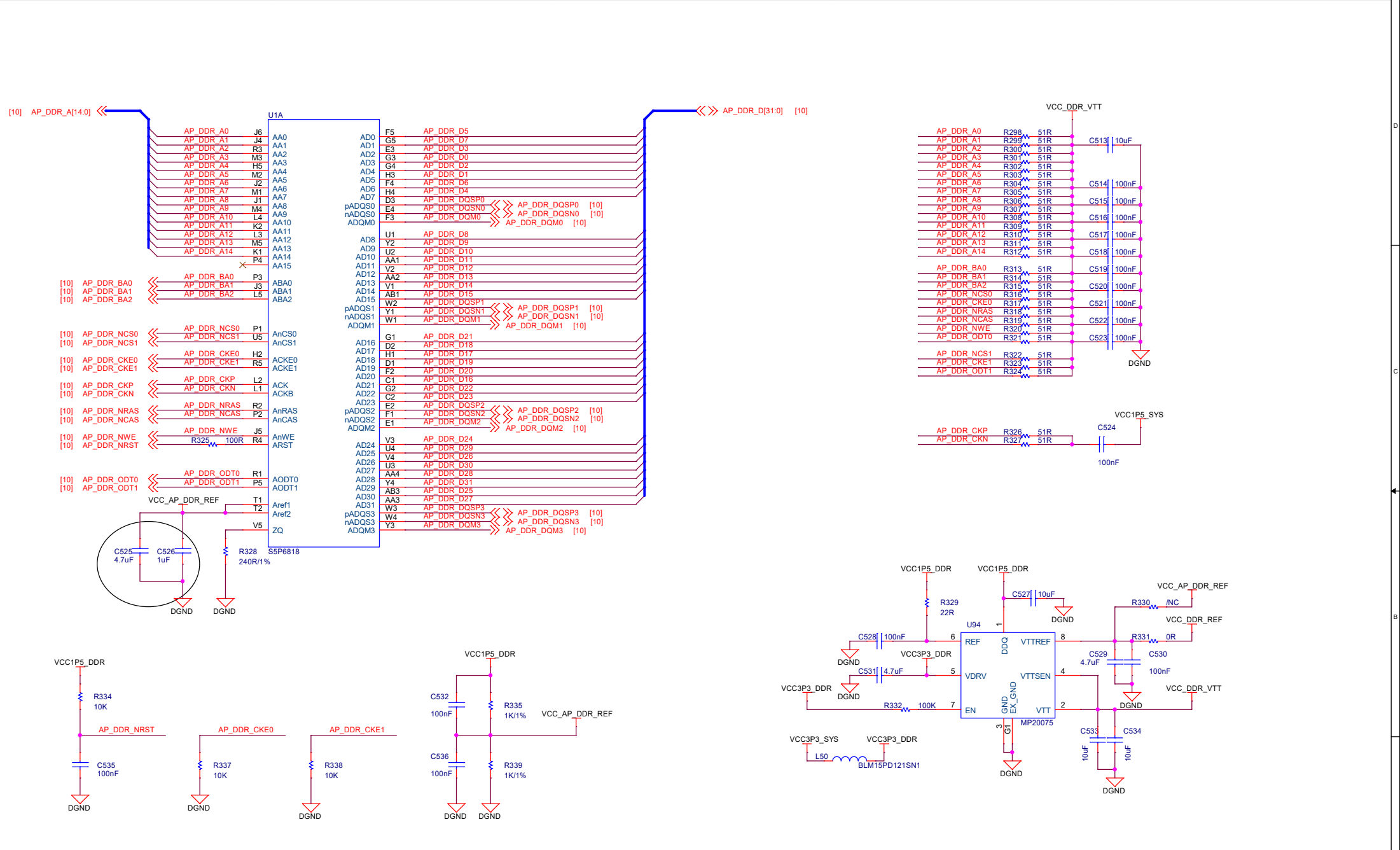
# Reserved Function

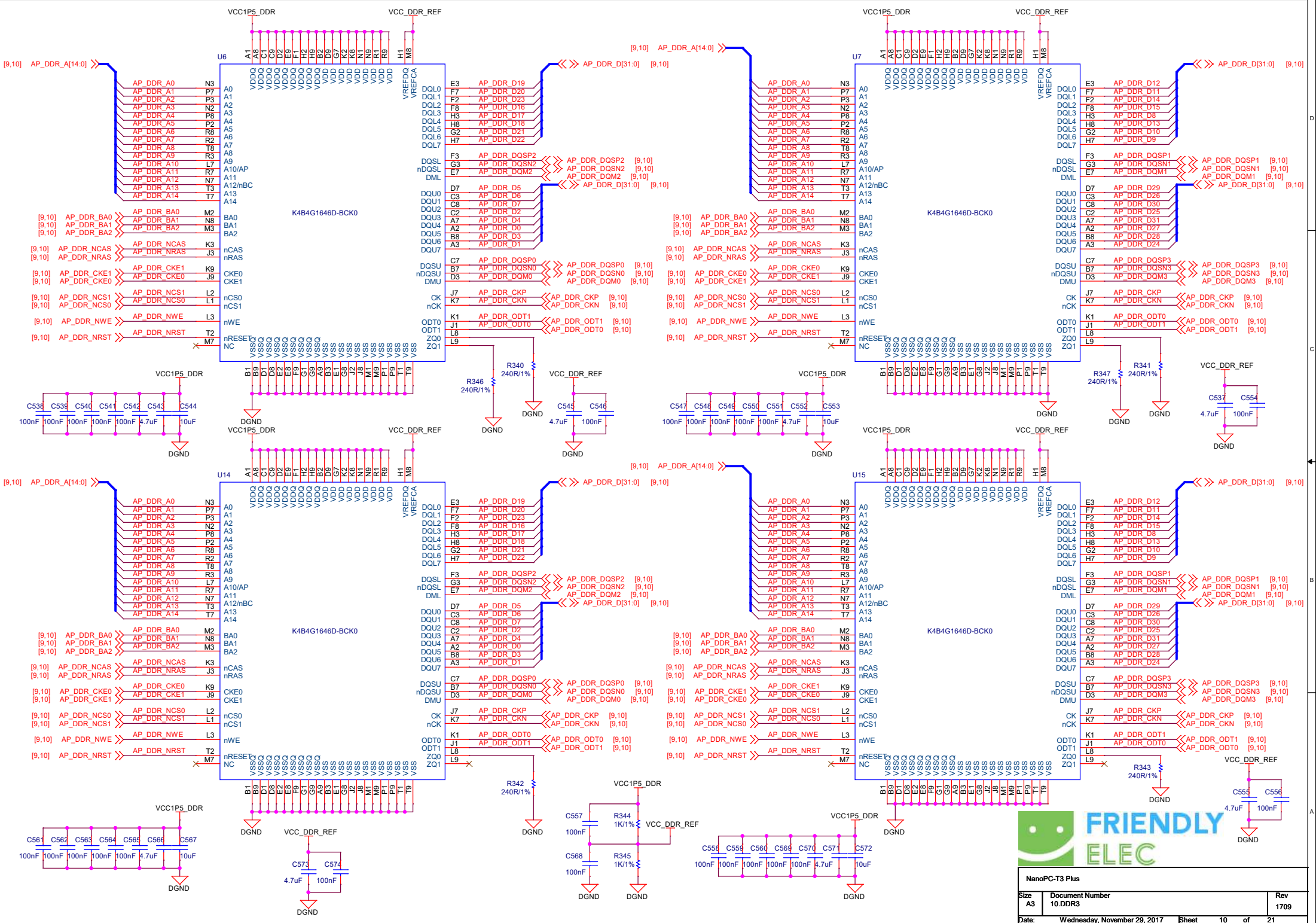


**AP Power**

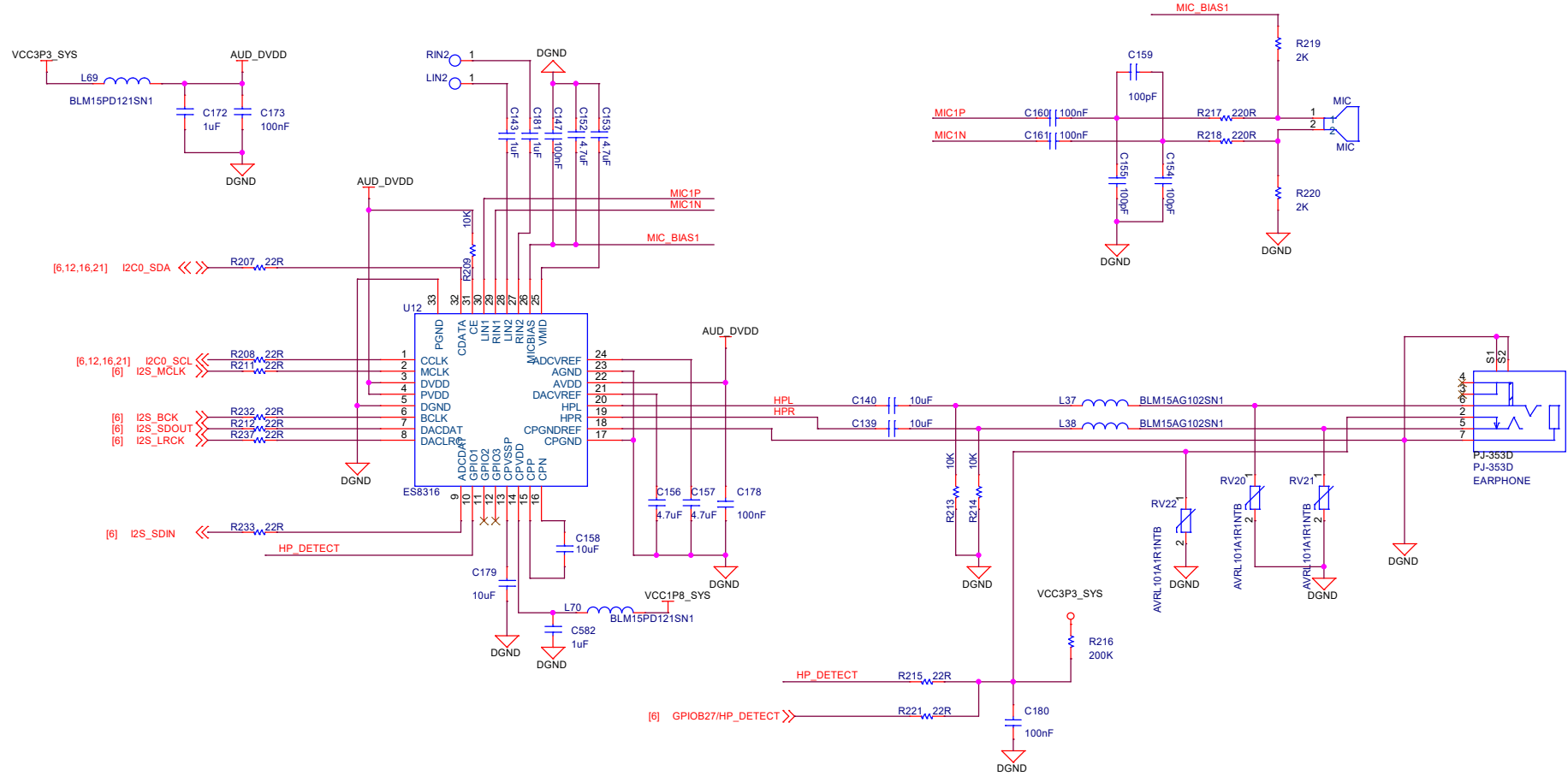






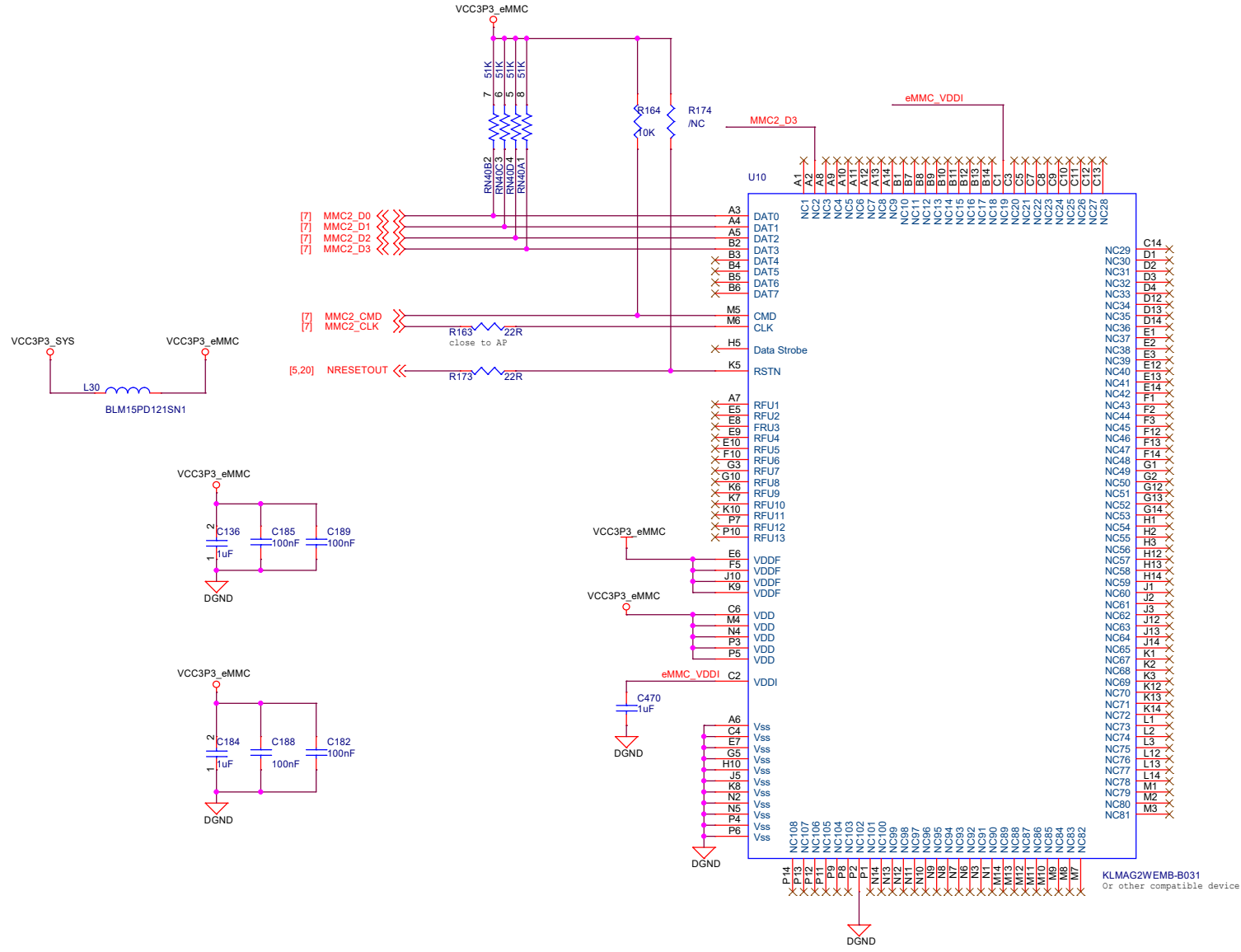


# Audio

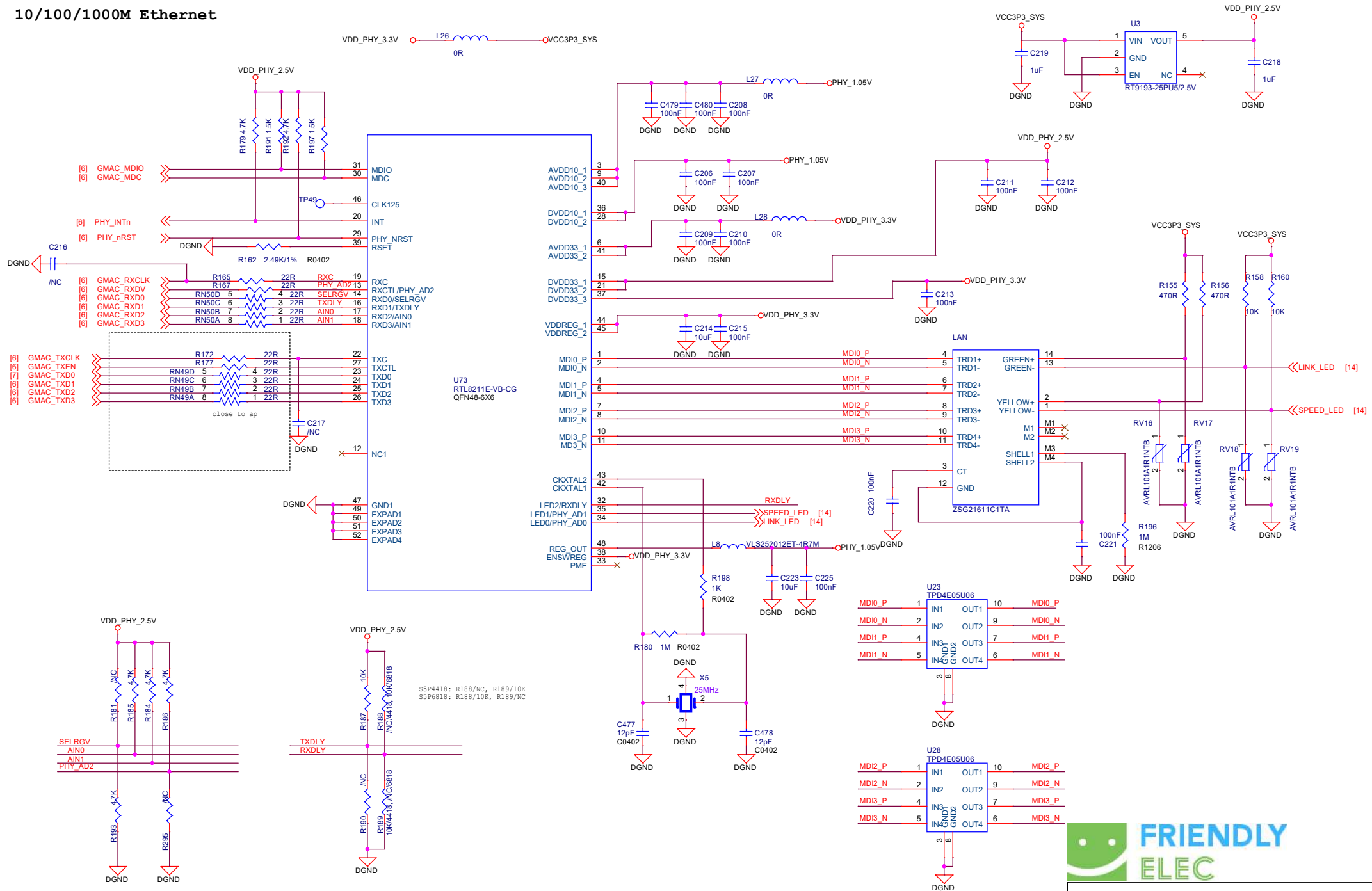




eMMC

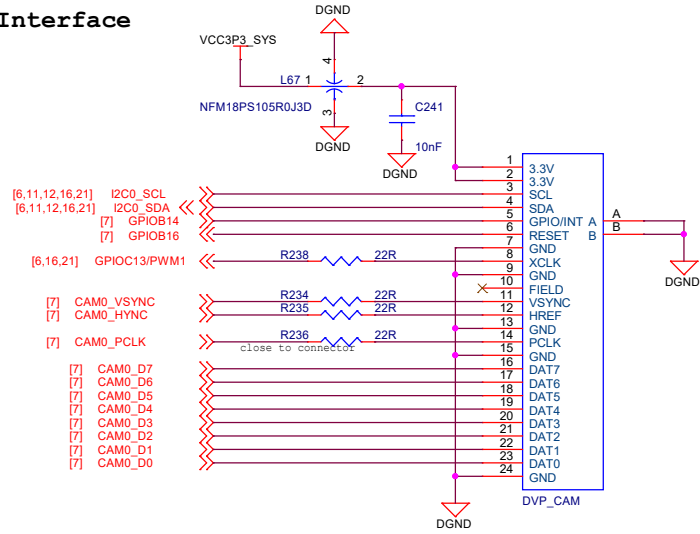


# 10/100/1000M Ethernet

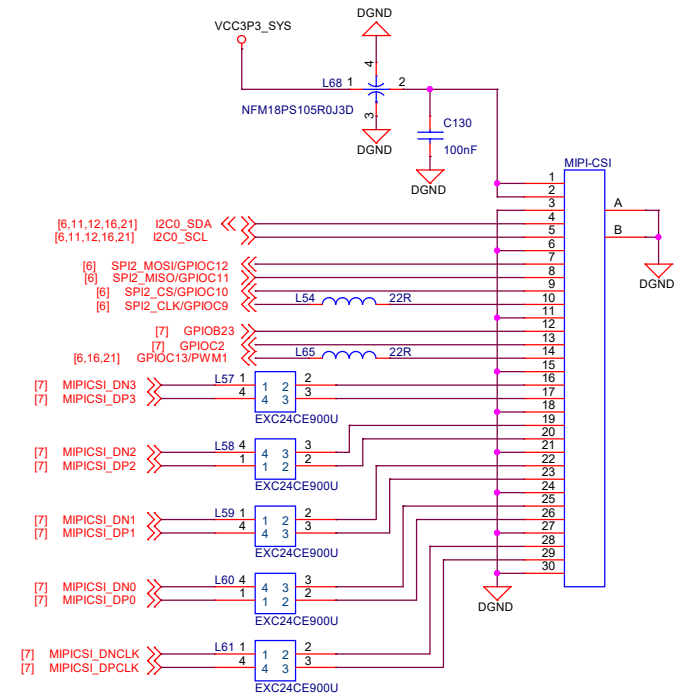




# Camera Interface

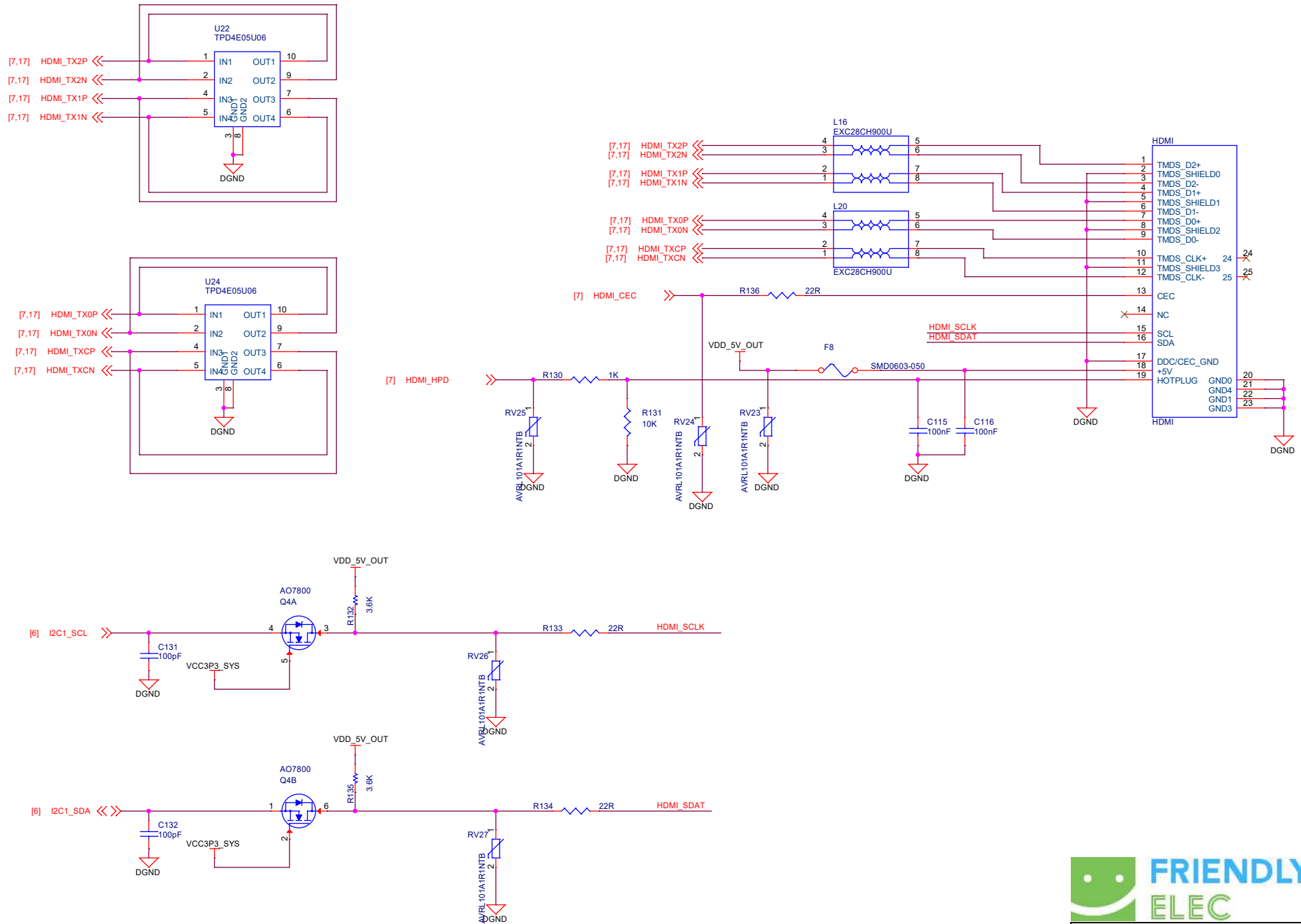


# MIPI CSI



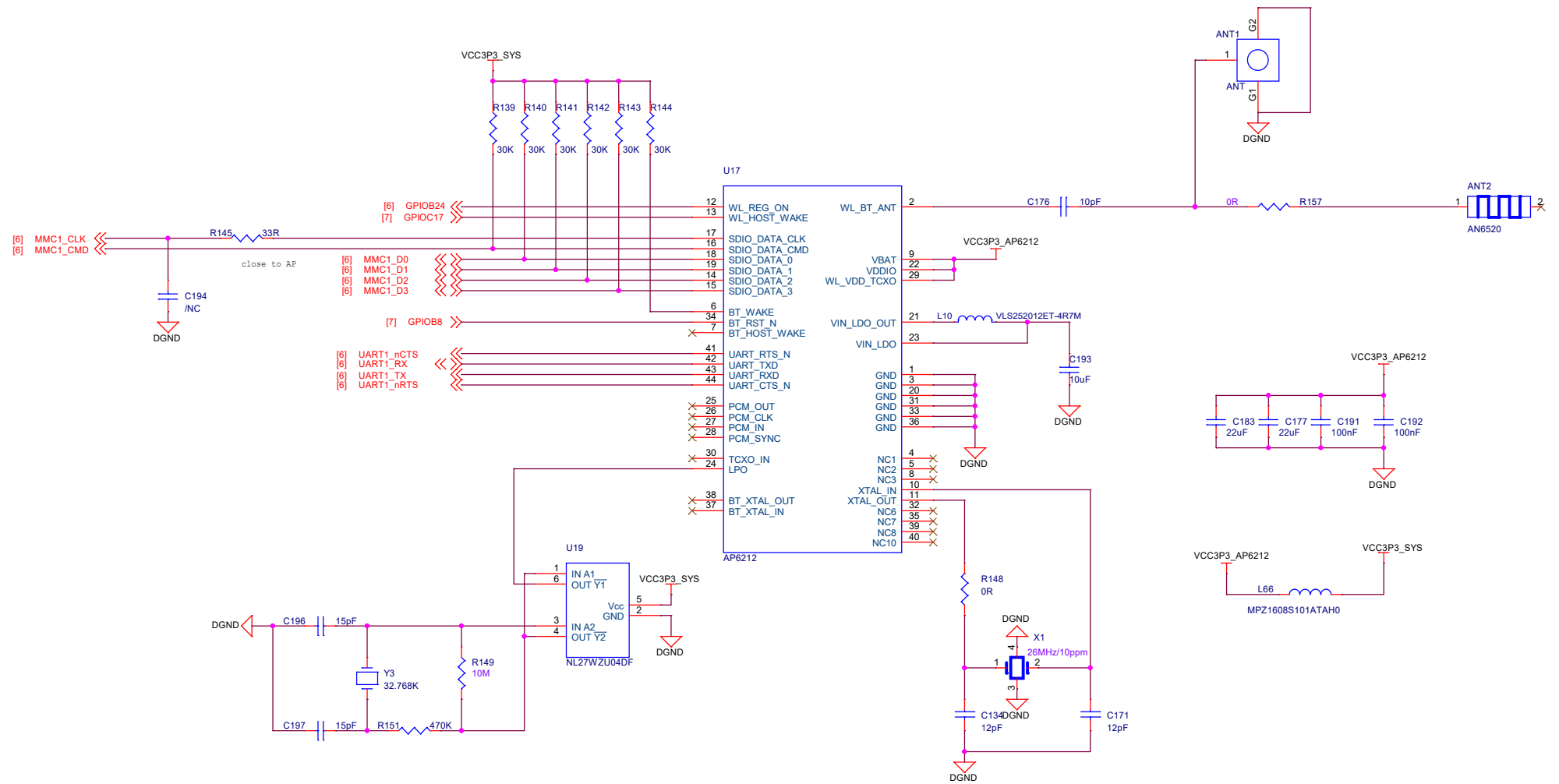


# HDMI

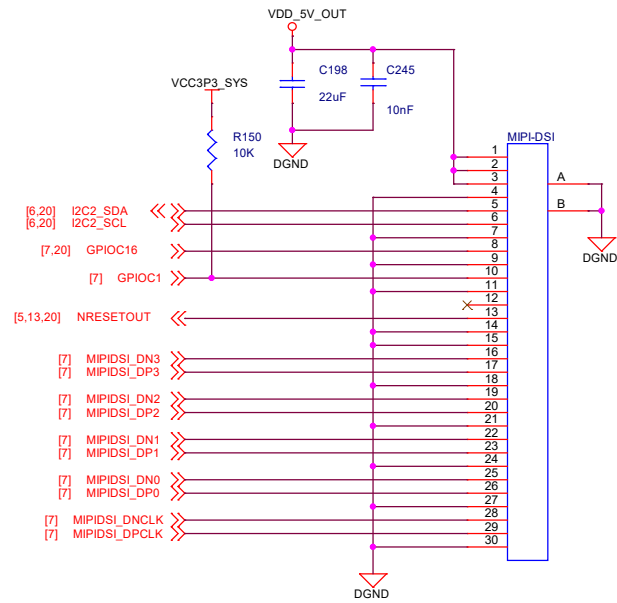




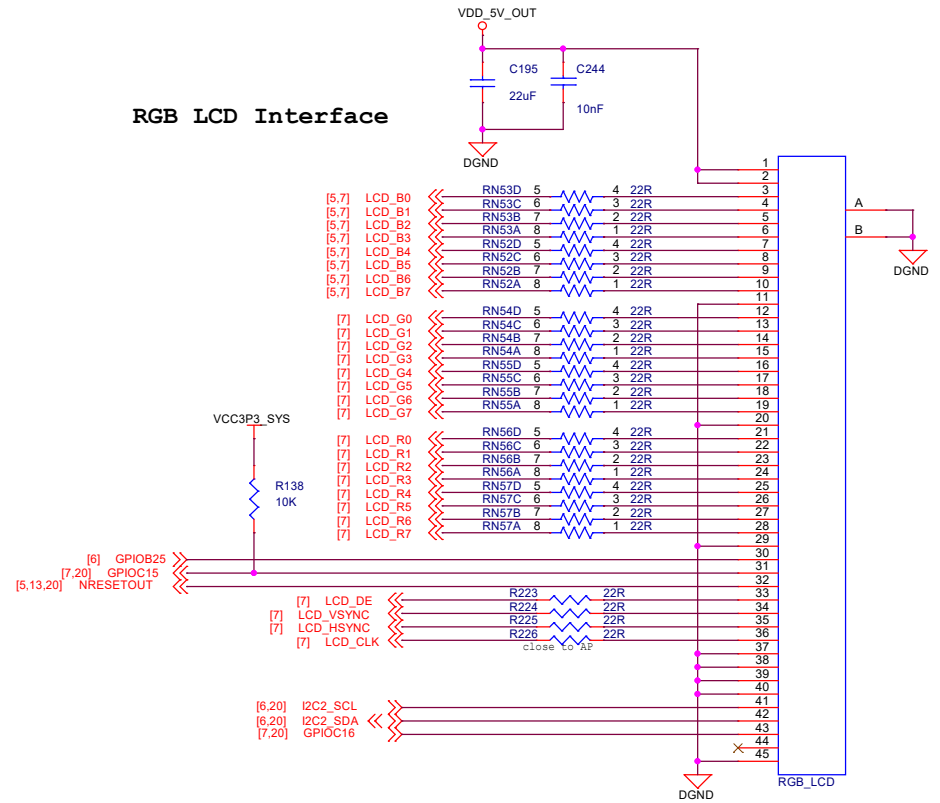
# Wi-Fi/Bluetooth



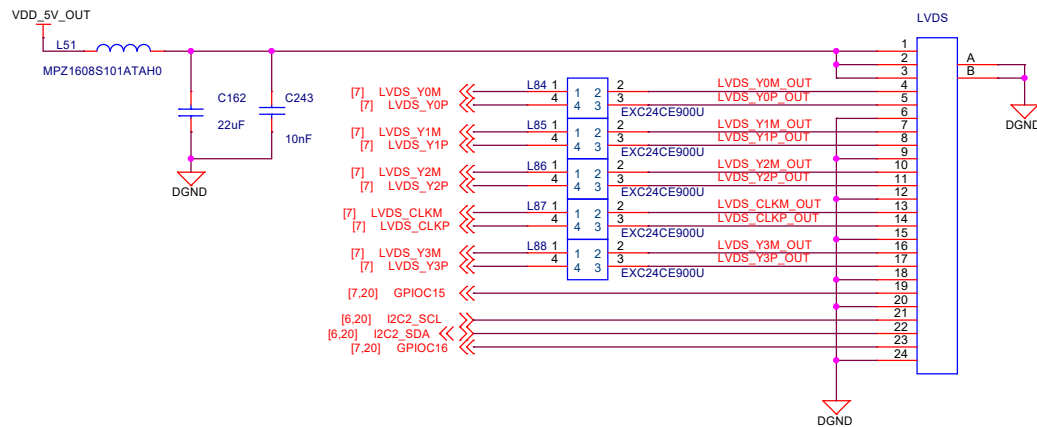
# MIPI DSI Interface



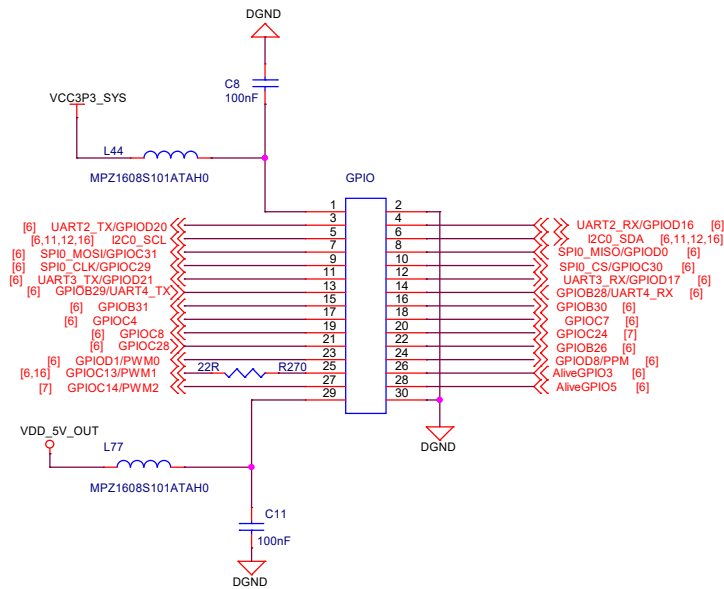
# RGB LCD Interface



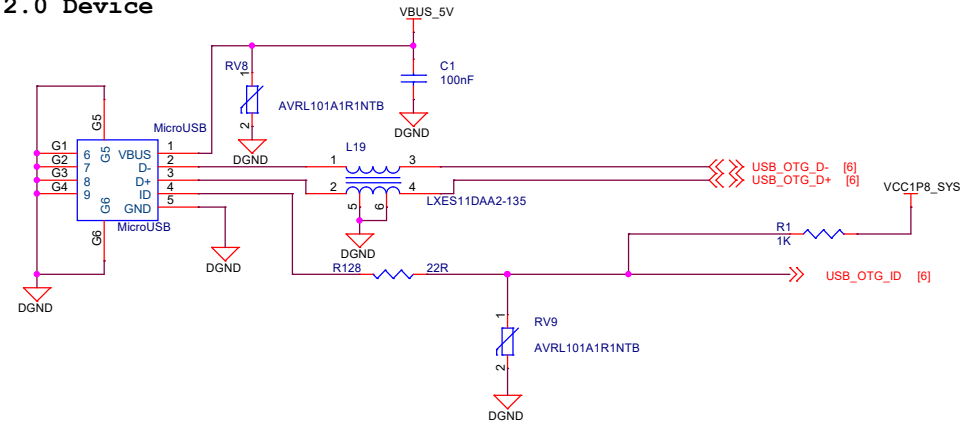
# LVDS



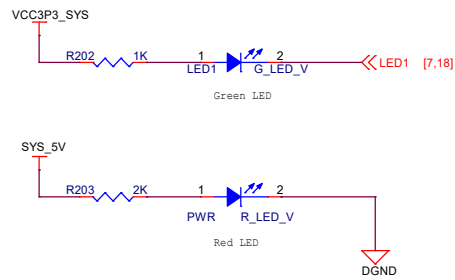
## 2.54mm Header



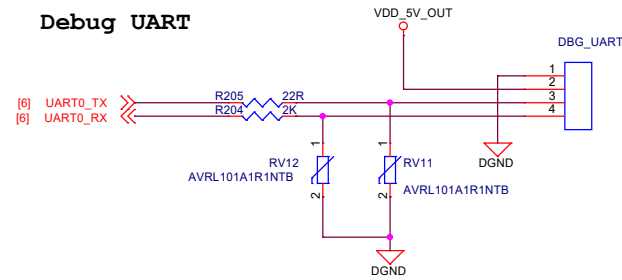
## USB 2.0 Device



## LEDs



## Debug UART



## RESET

