

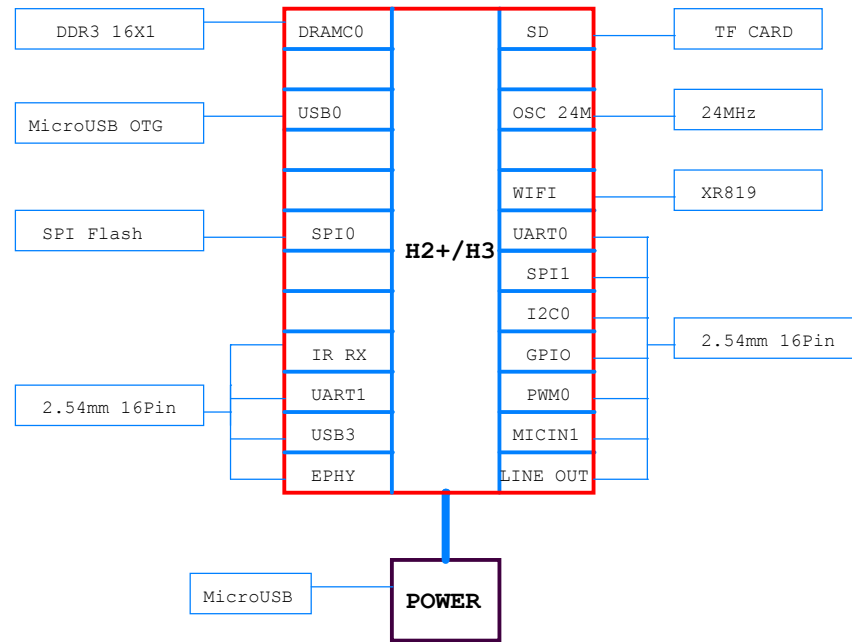
# NanoPi Duo

Revision 1706 , V1.0

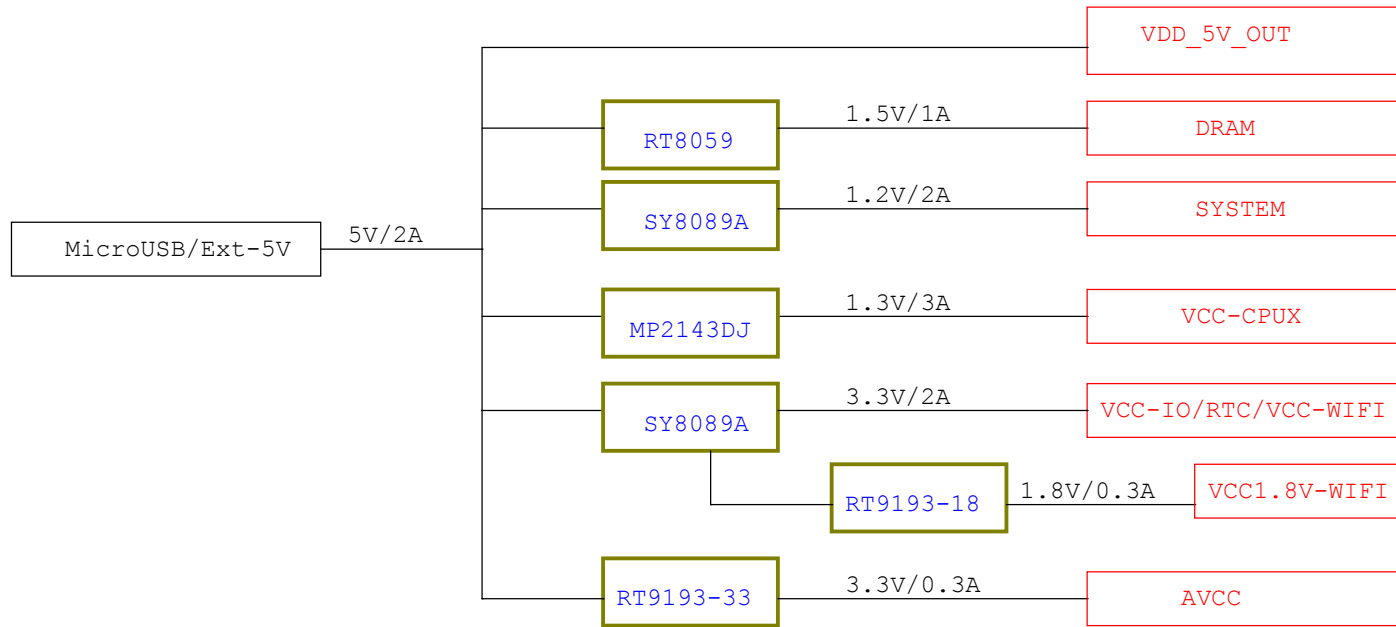


|            |                          |               |
|------------|--------------------------|---------------|
| NanoPi Duo |                          |               |
| Size<br>A3 | Document Number<br>Title | Rev<br>1706   |
| Date:      | Friday, July 14, 2017    | Sheet 1 of 15 |

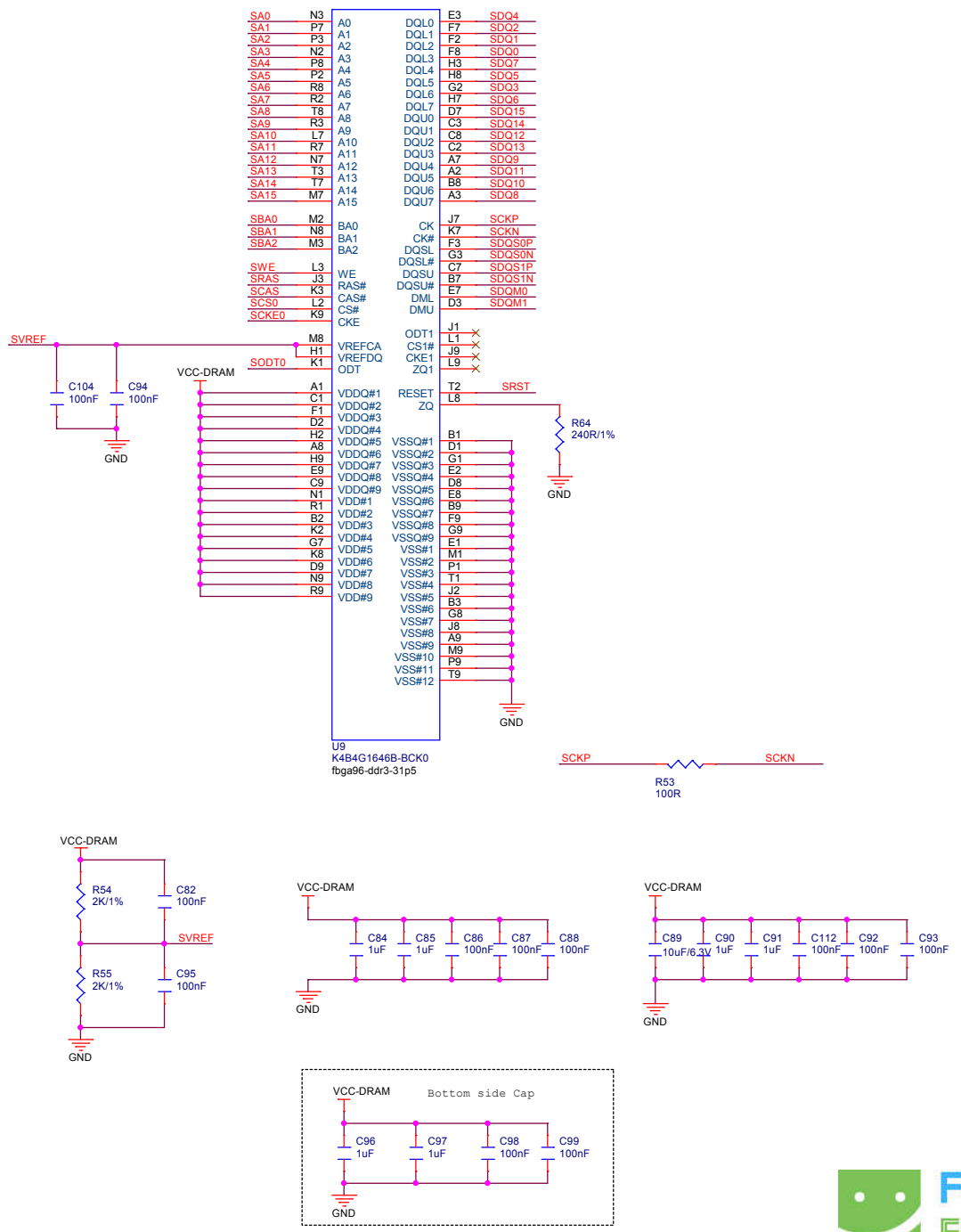
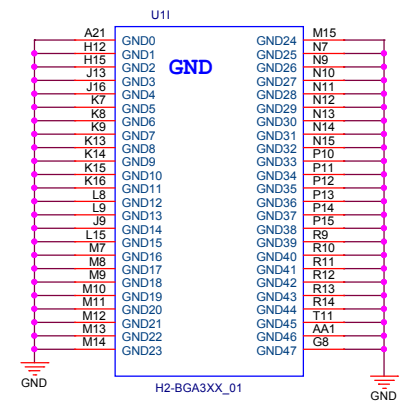
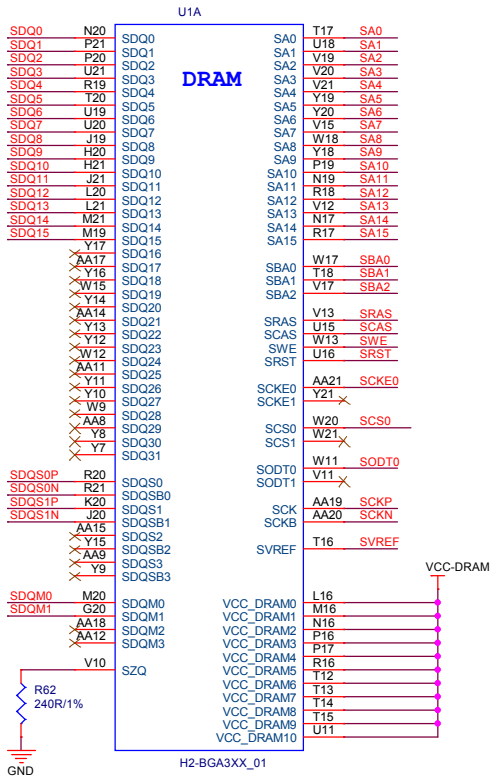
# BLOCK



# POWER TREE

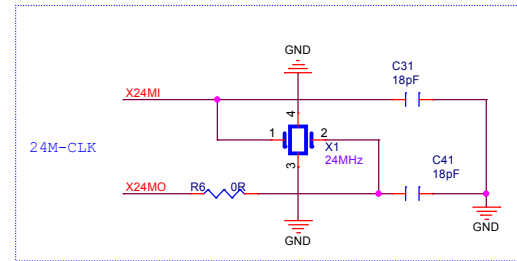
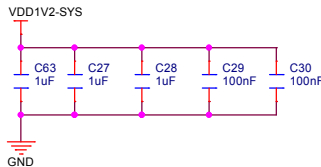
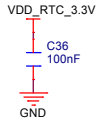
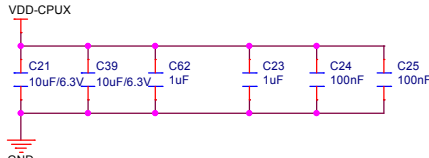
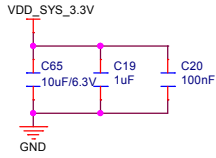
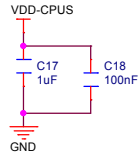
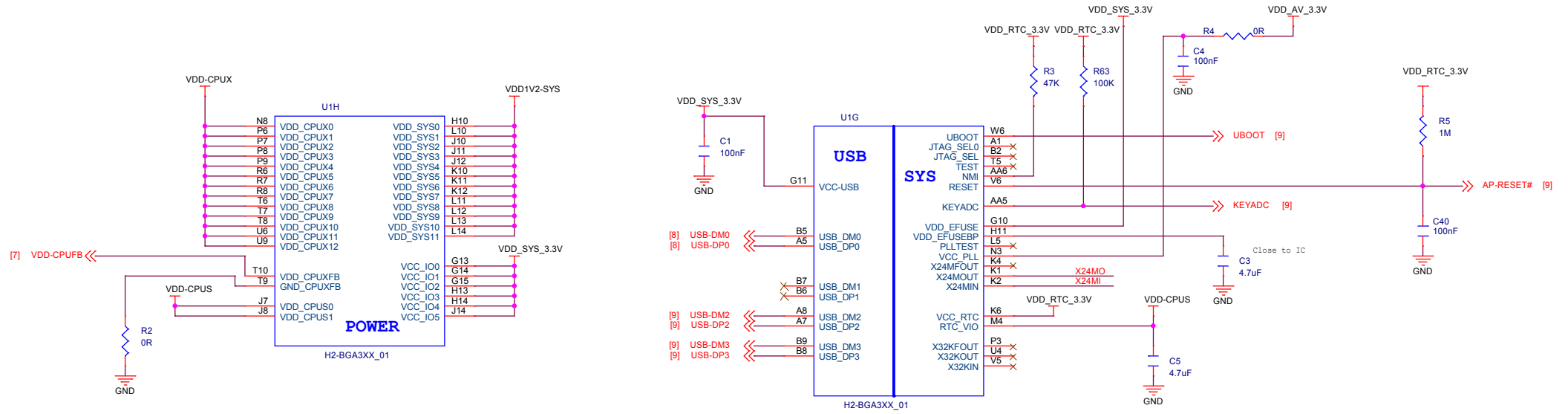


# DDR3 16x1

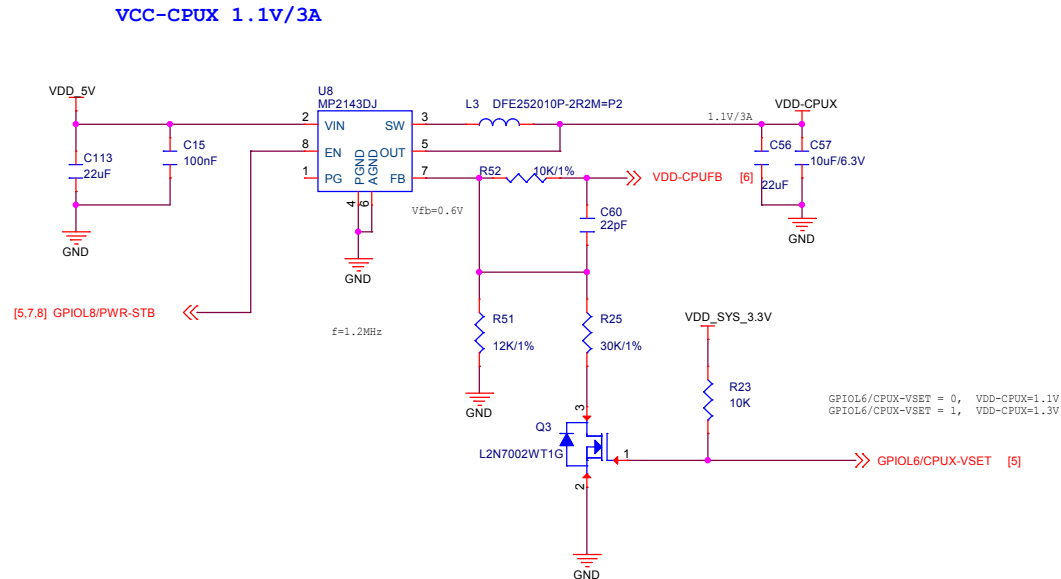
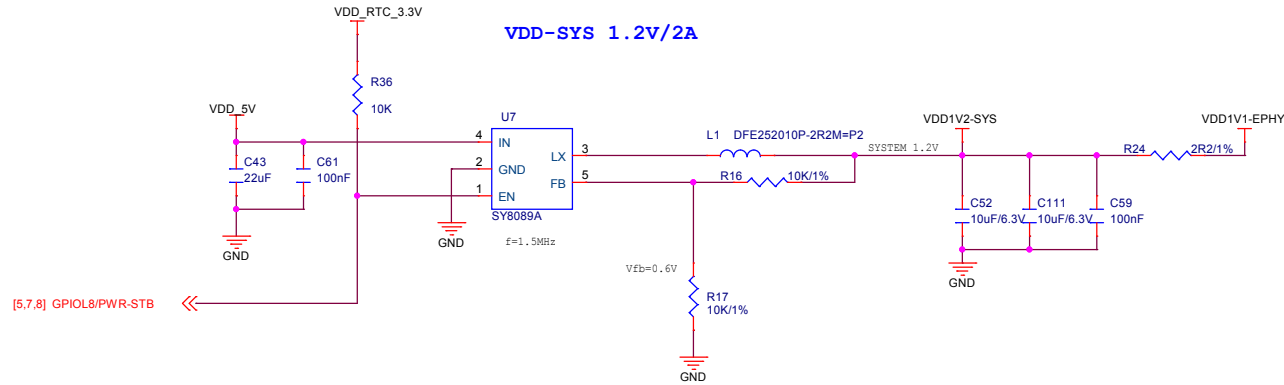
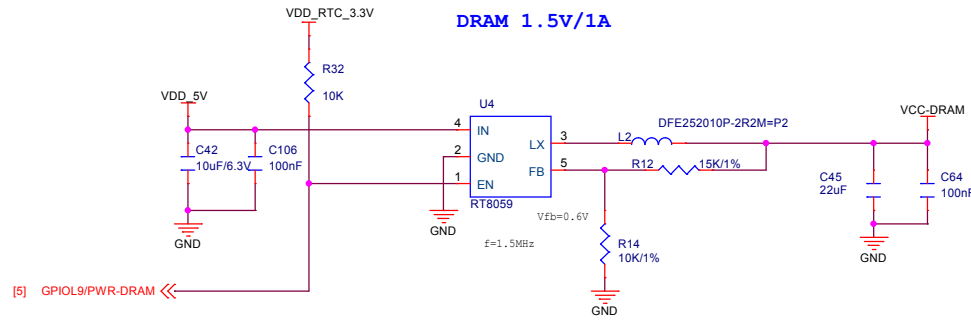




# CPU 02



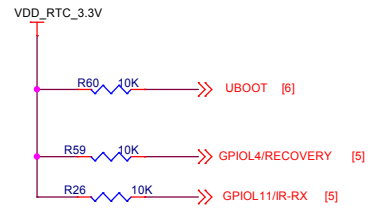
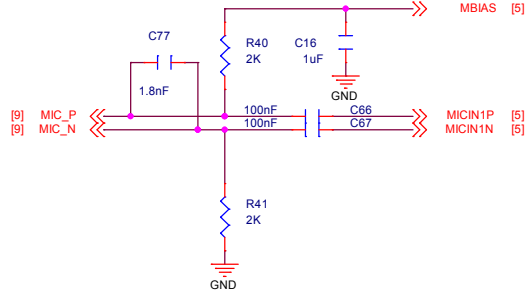
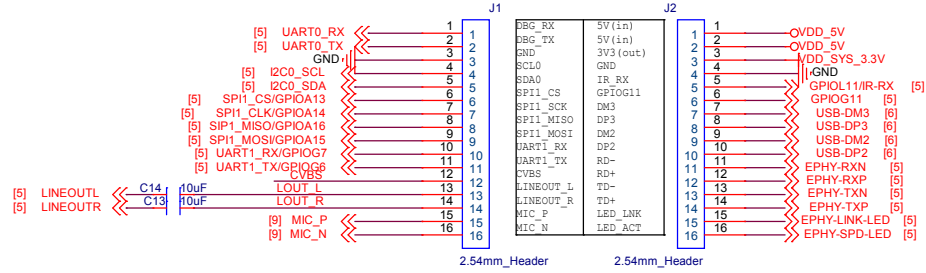
# POWER 01



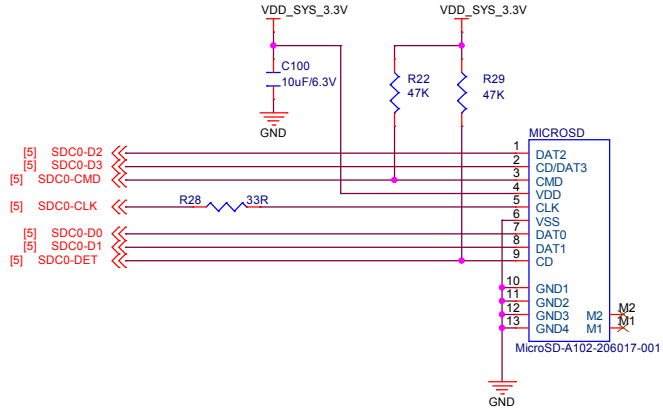
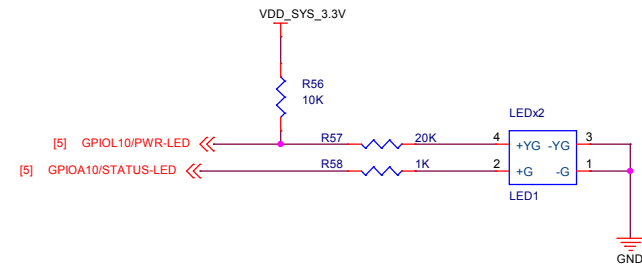
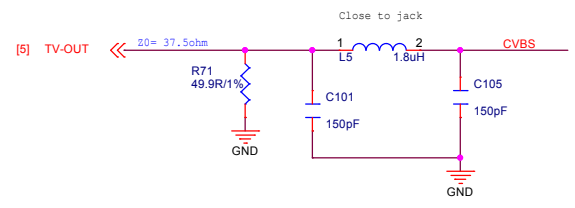
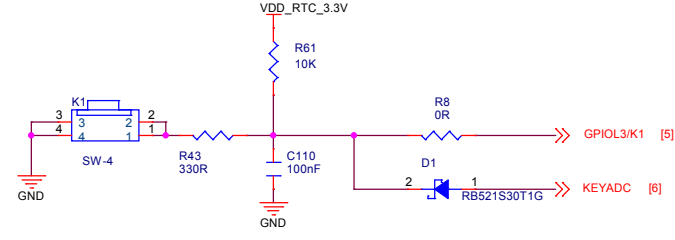
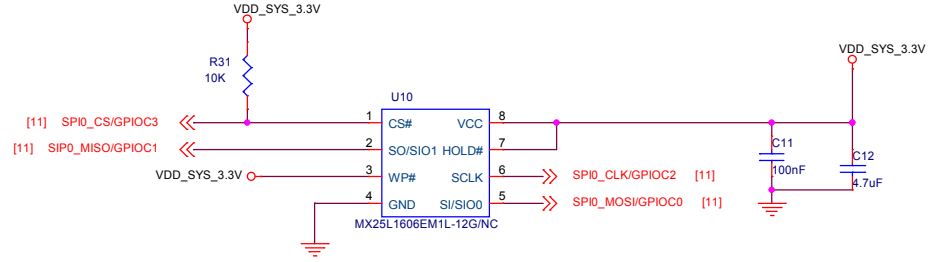




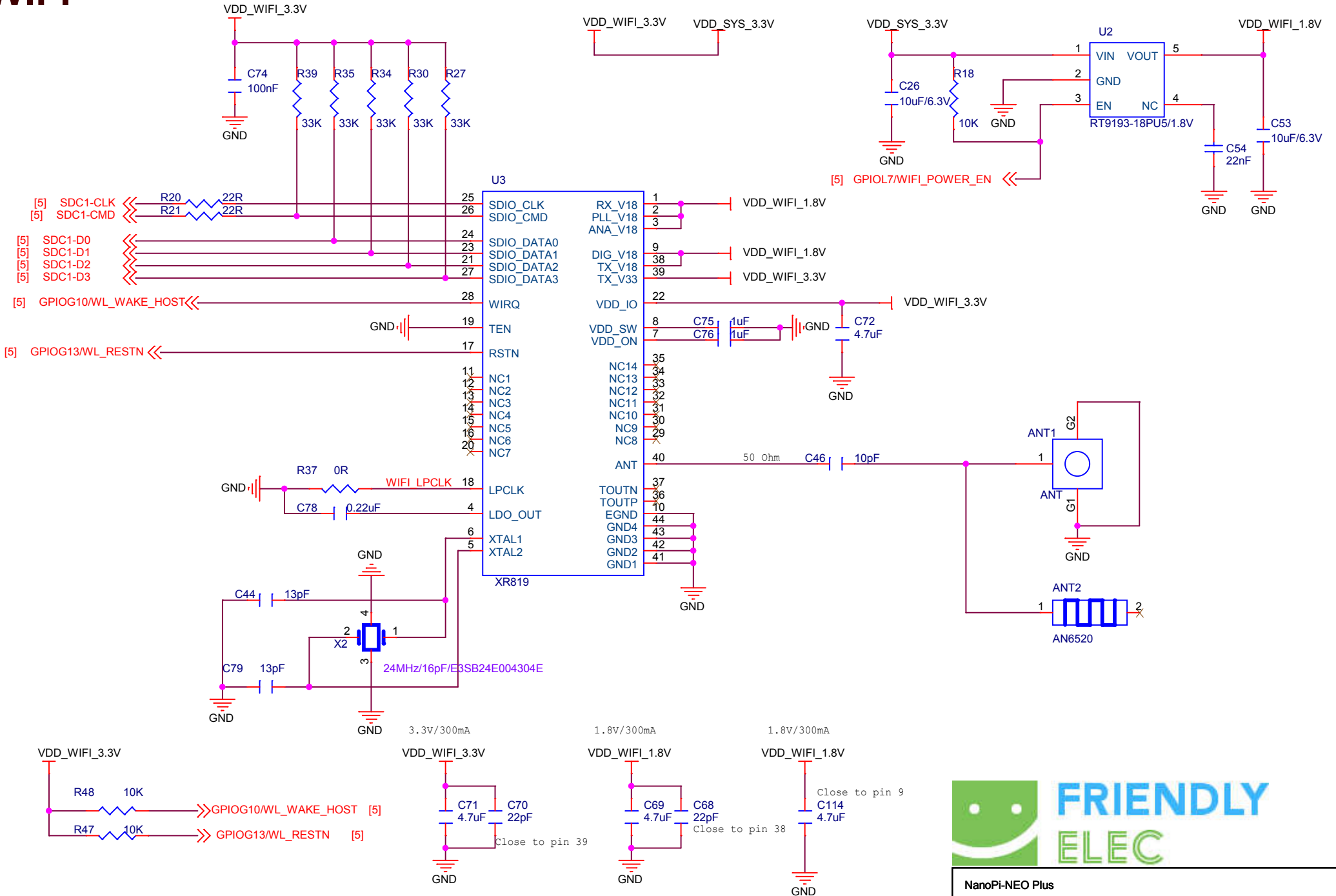
# GPIO,LEDs,TF Card



## SPI Flash



# WIFI



|                 |                         |                |
|-----------------|-------------------------|----------------|
| NanoPi-NEO Plus |                         |                |
| Size<br>A4      | Document Number<br>WIFI | Rev<br>1706    |
| Date:           | Friday, July 14, 2017   | Sheet 10 of 10 |