

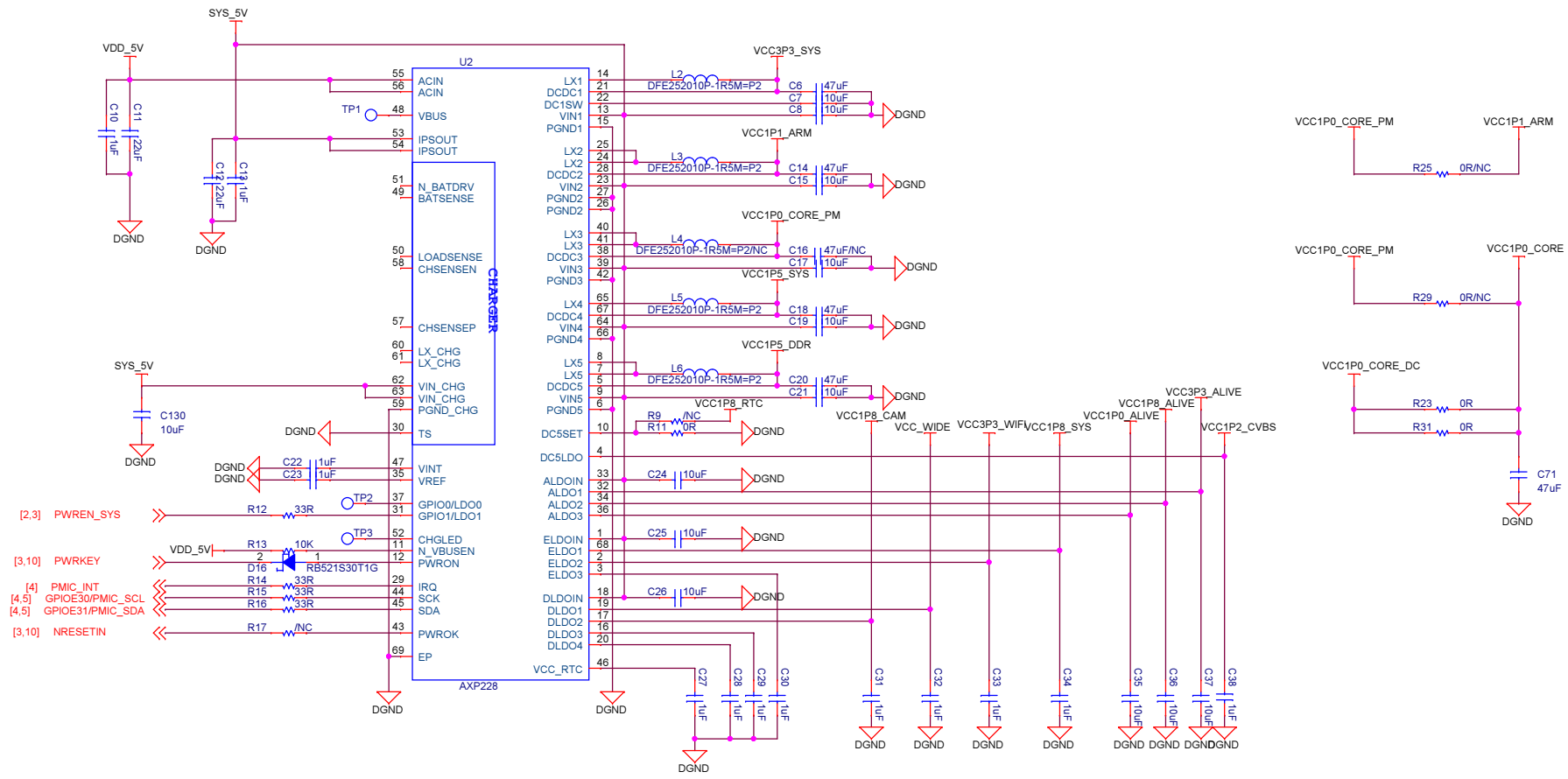
NanoPi2 Fire

Revision

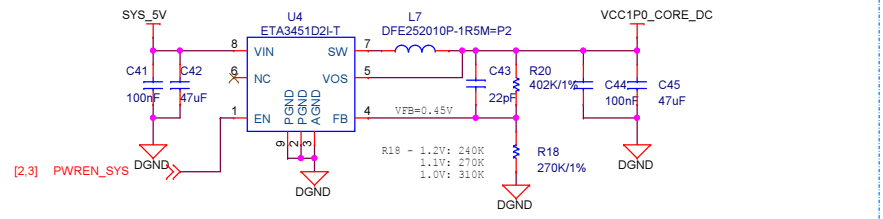
1512B , First Release



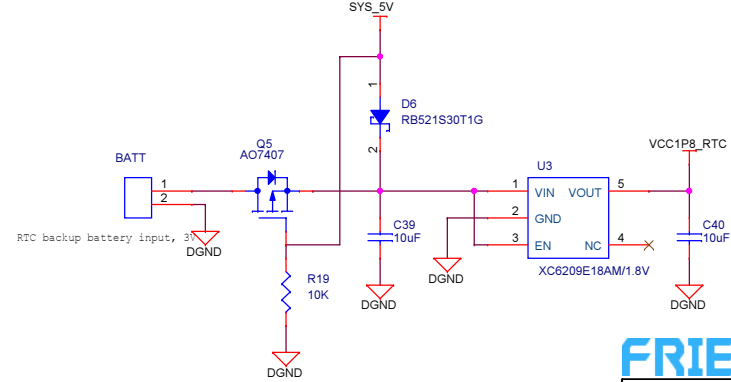
NanoPi2 Fire		
Size	Document Number	Rev
A3	01.Title	1512B
Date:	Monday, January 18, 2016	Sheet 1 of 11



VCC1P0_CORE_DC:1.2V

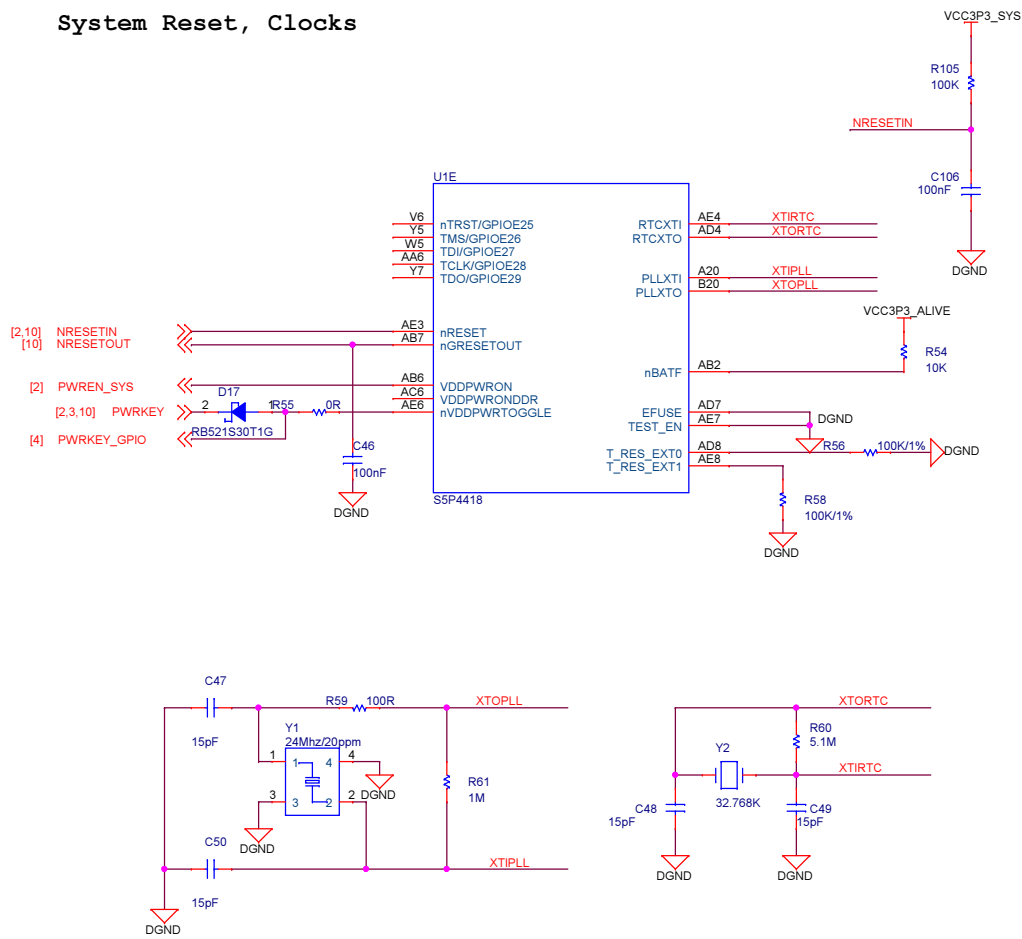


RTC Power

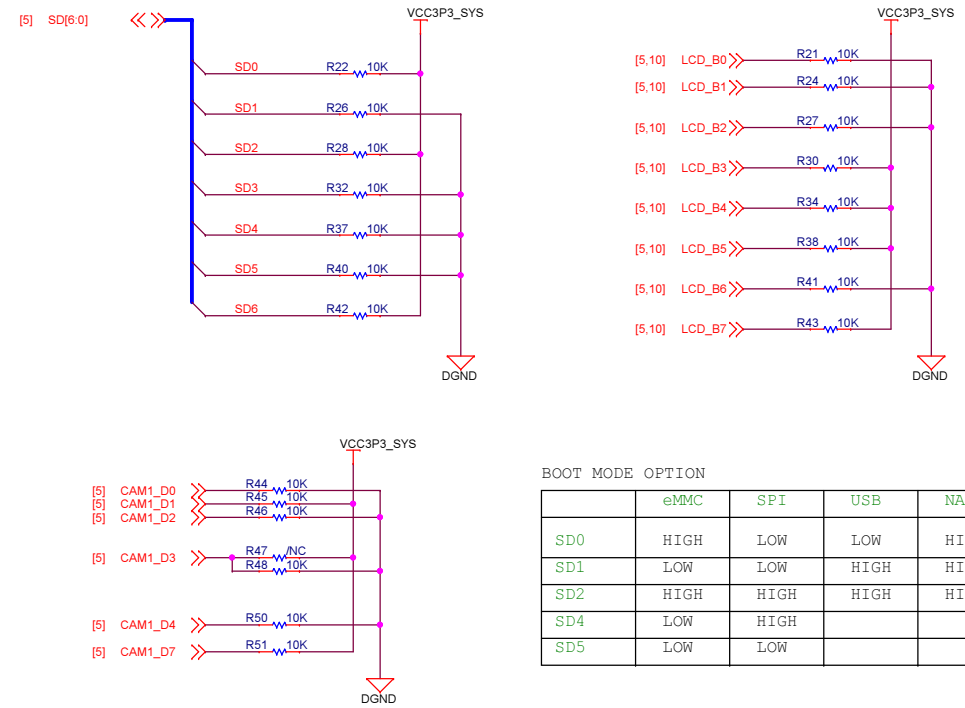


NanoPi2 Fire		
Size A3	Document Number 02.PMIC	Rev 1512B
Date: Monday, January 18, 2016	Sheet 2	of 11

System Reset, Clocks



Boot Mode Config



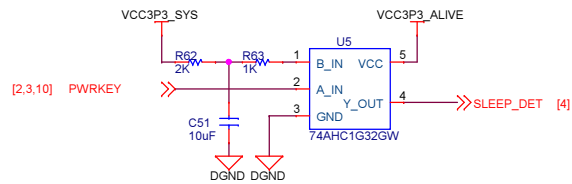
BOOT MODE OPTION

	eMMC	SPI	USB	NAND
SD0	HIGH	LOW	LOW	HIGH
SD1	LOW	LOW	HIGH	HIGH
SD2	HIGH	HIGH	HIGH	HIGH
SD4	LOW	HIGH		
SD5	LOW	LOW		

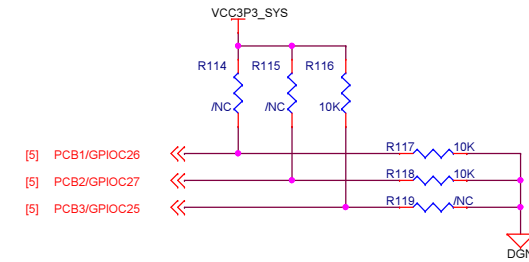
Boot media port select (SPI, eMMC)

	CH0	CH1	CH2
SD3	LOW	HIGH	LOW
CAM1_D3	LOW	LOW	HIGH

Sleep Detect

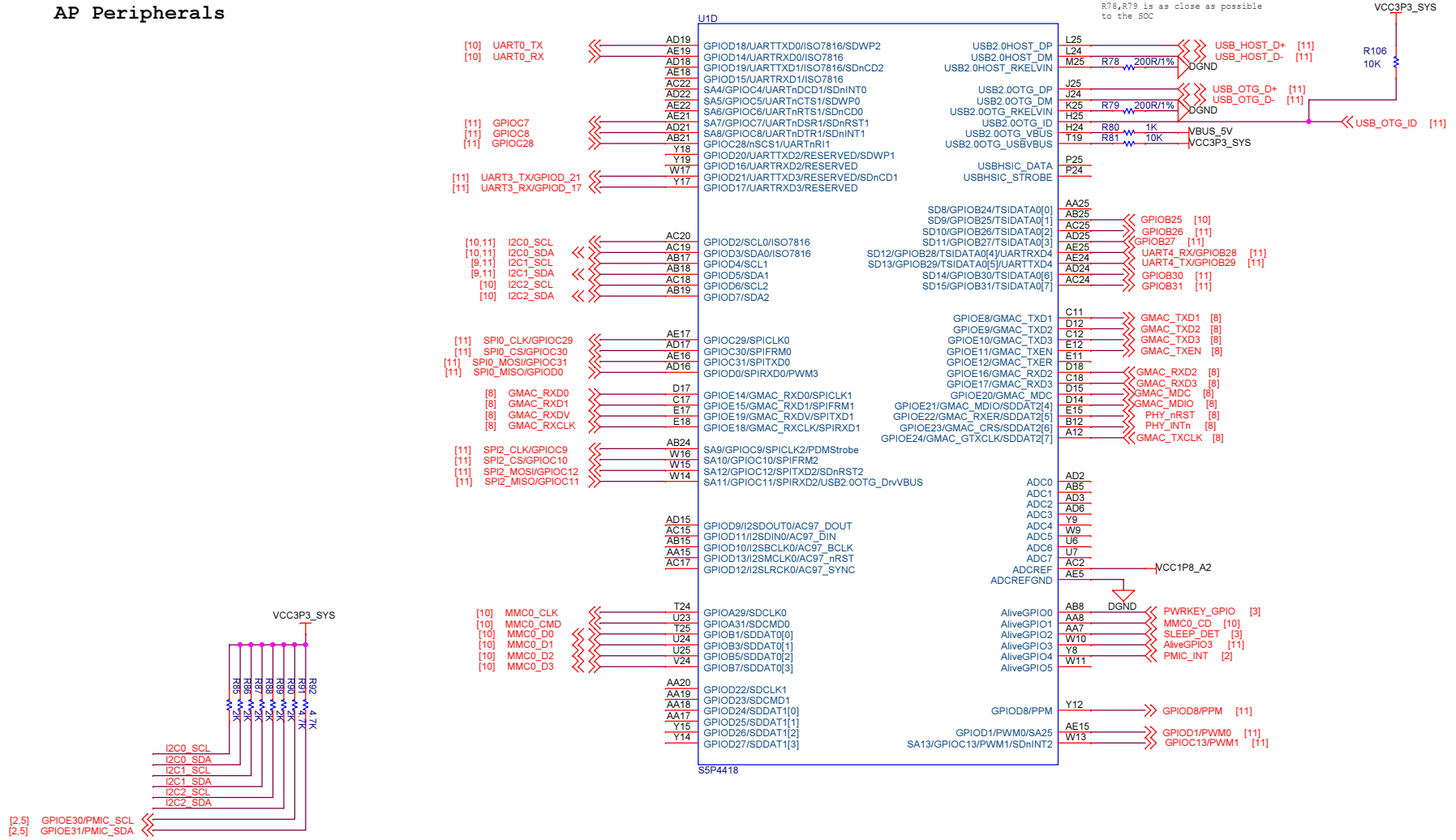


PCB Version



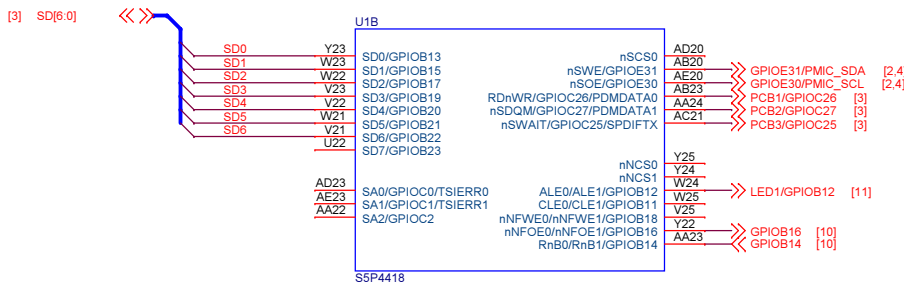
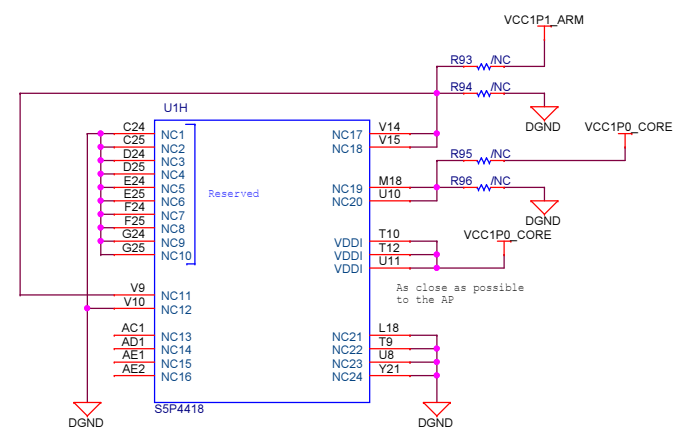
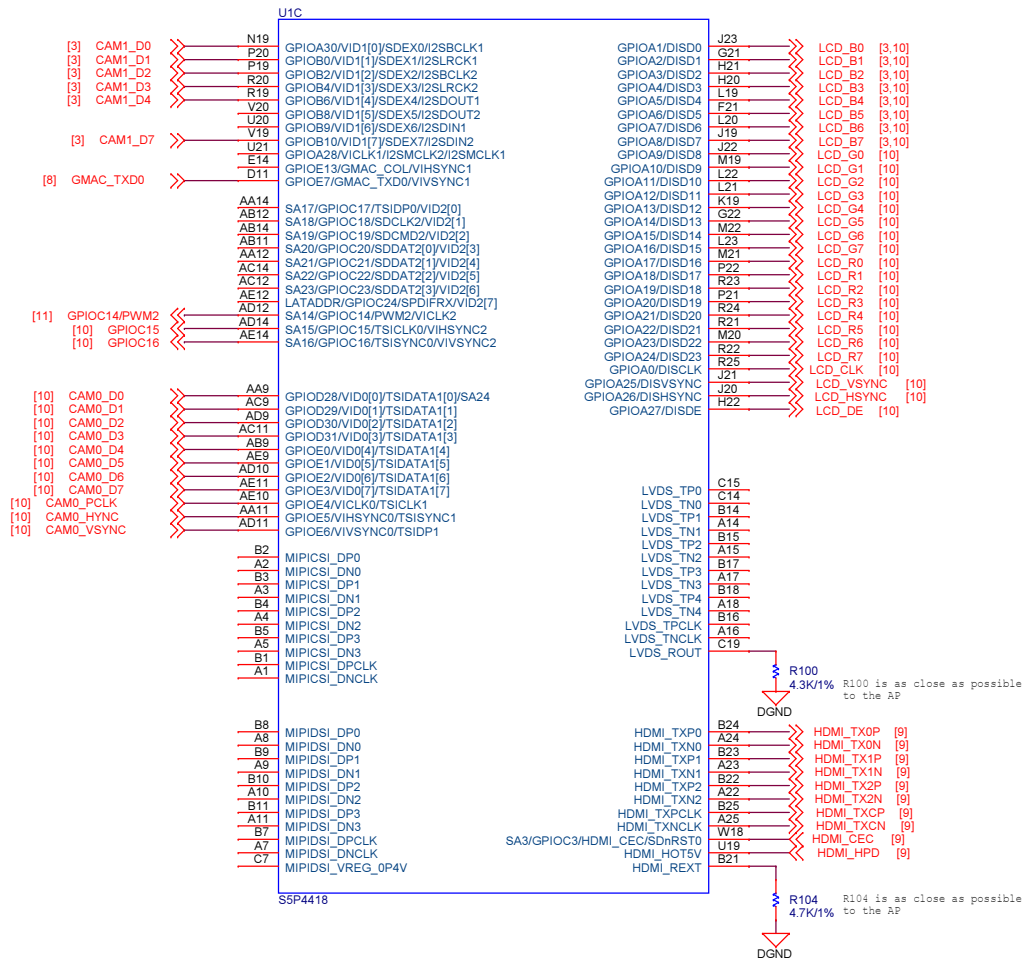
FRIENDLYARM

AP Peripherals



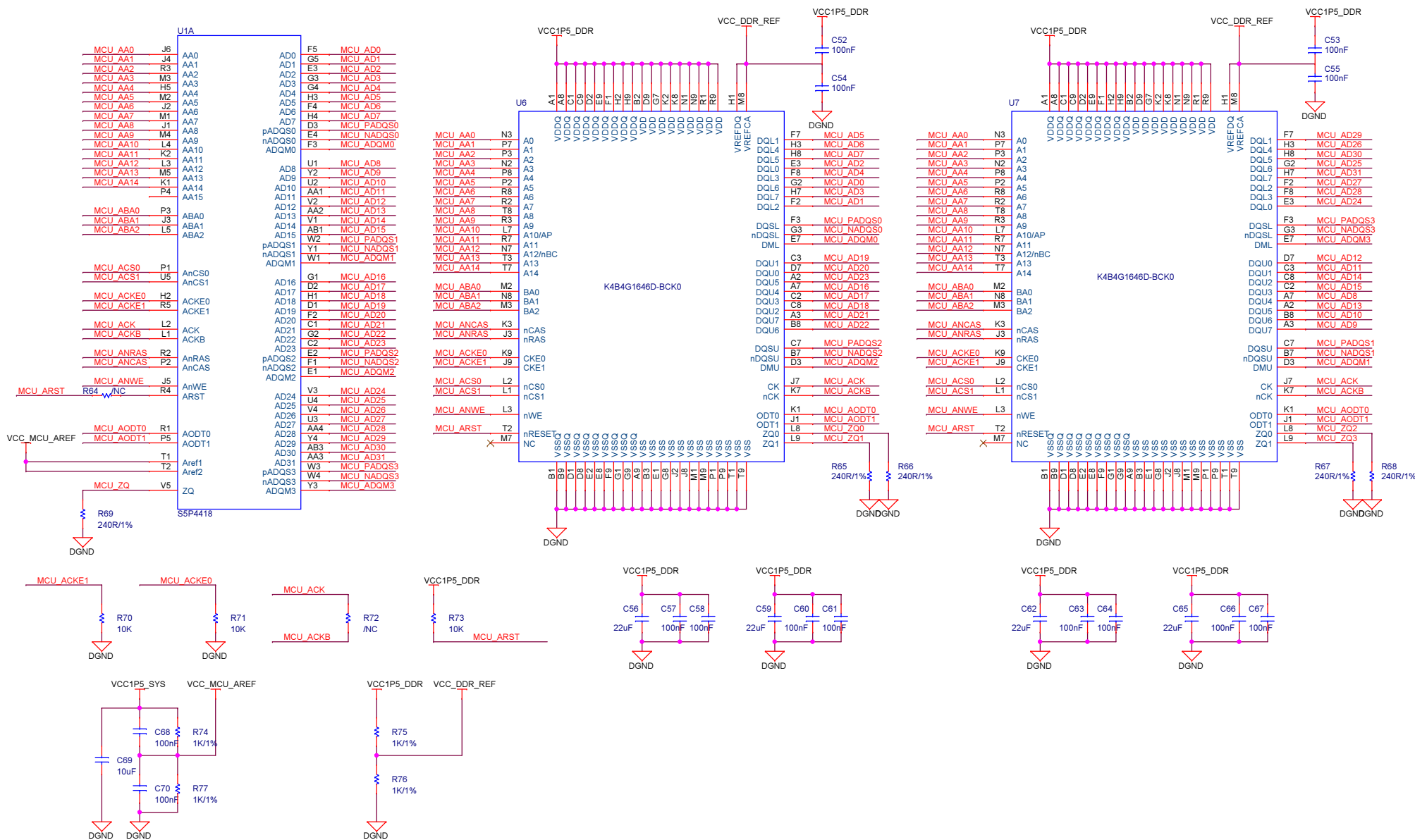
AP VIP&Display

Reserved Function

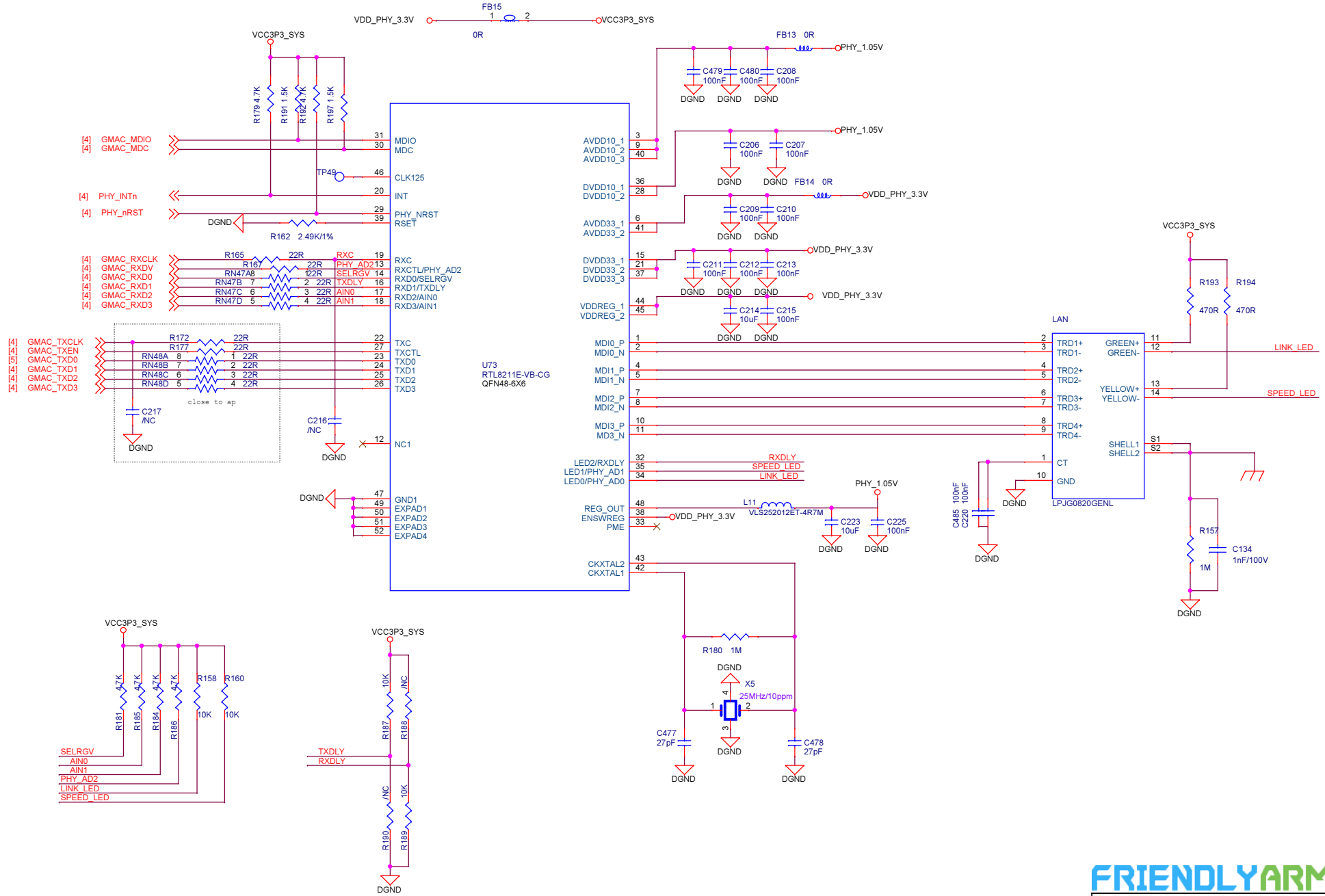


NanoP2 Fire		
Size A3	Document Number 05.AP VIP&Display	Rev 1512B
Date: Monday, January 18, 2016	Sheet 5 of 11	

DDR3

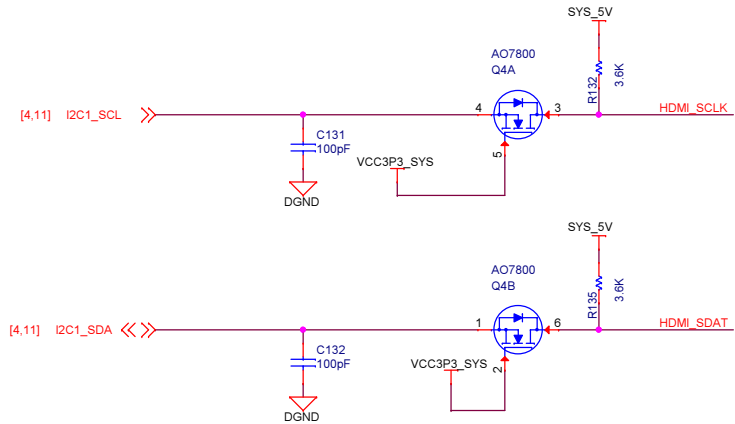
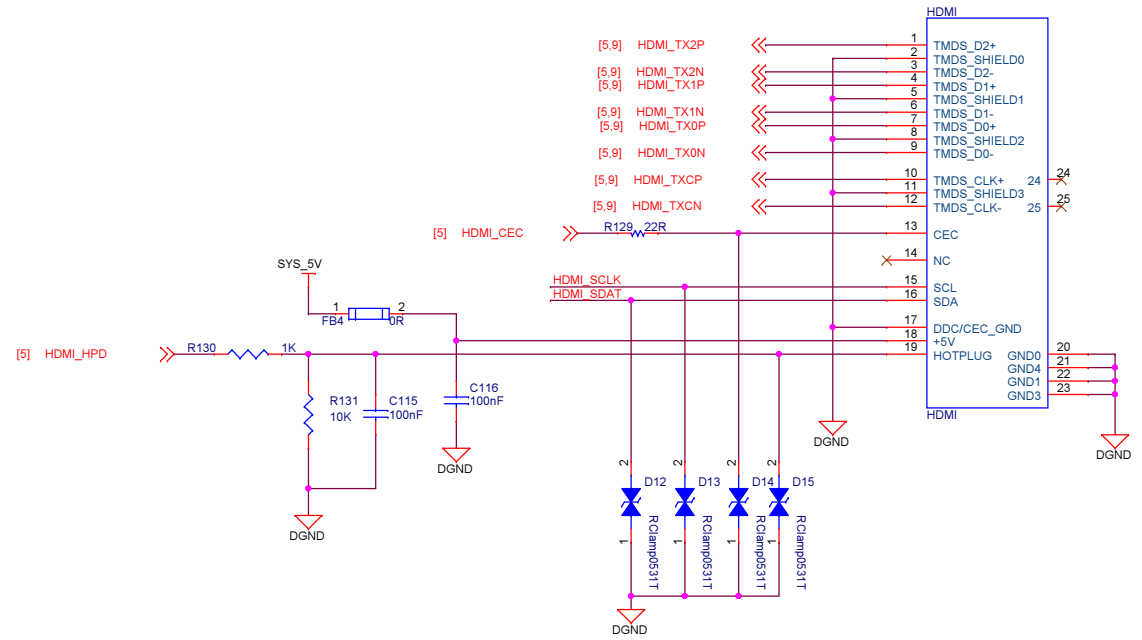
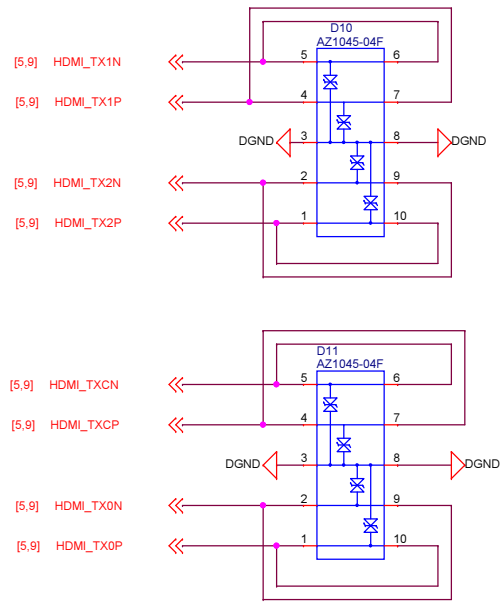


10/100/1000M Ethernet



NanoPi2 Fire		
Size A3	Document Number 09.LAN.PHY	Rev 1512B
Date: Monday, January 18, 2016	Sheet 8	of 11

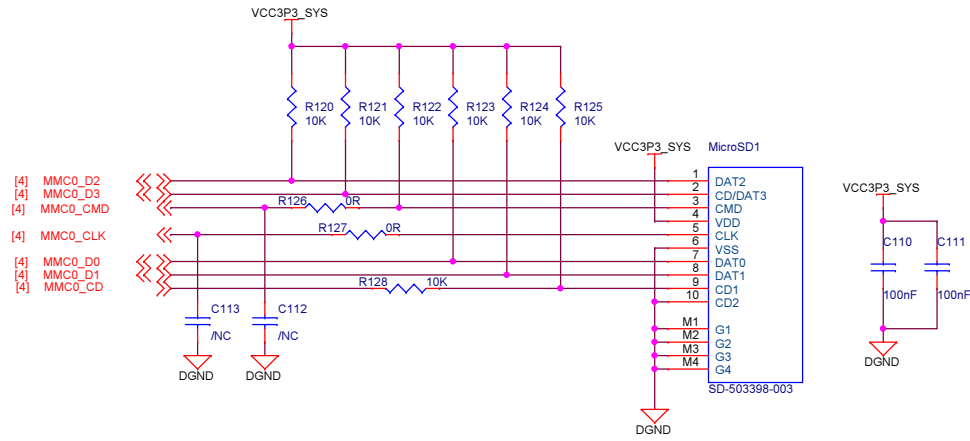
HDMI



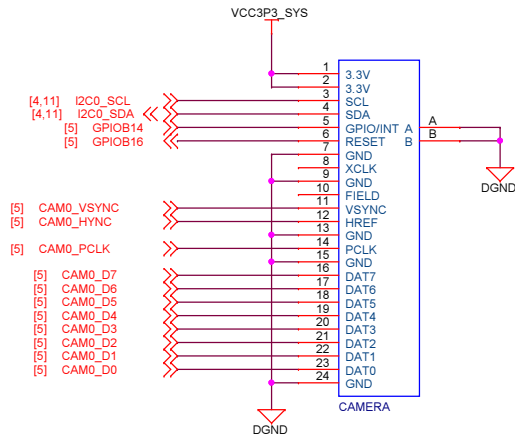
FRIENDLYARM

NanoPi2 Fire		
Size A3	Document Number 09.HDMI	Rev 1512B
Date: Monday, January 18, 2016	Sheet 9	of 11

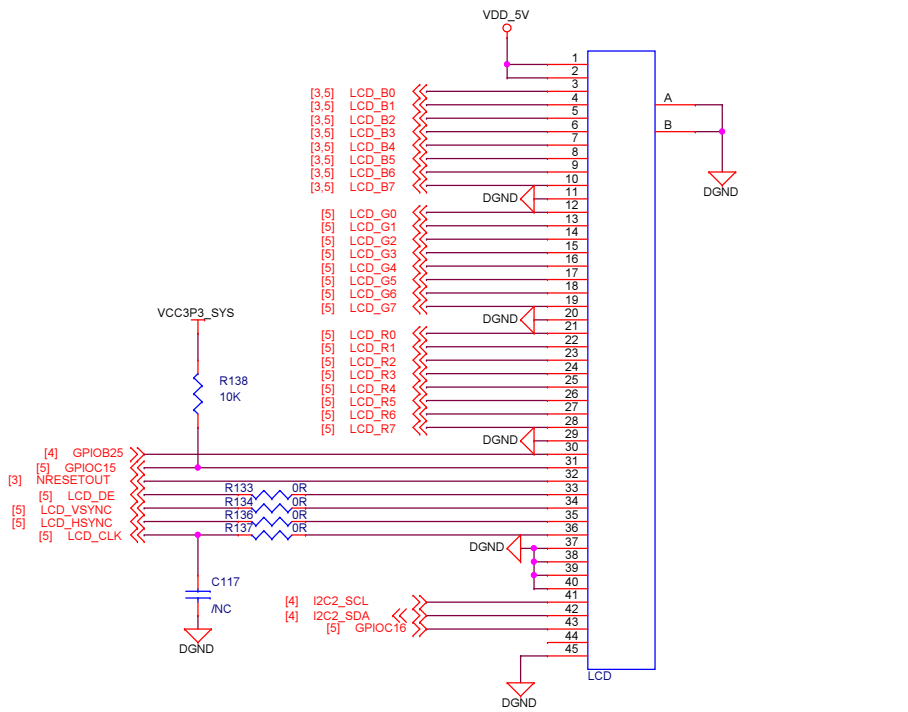
MicroSD



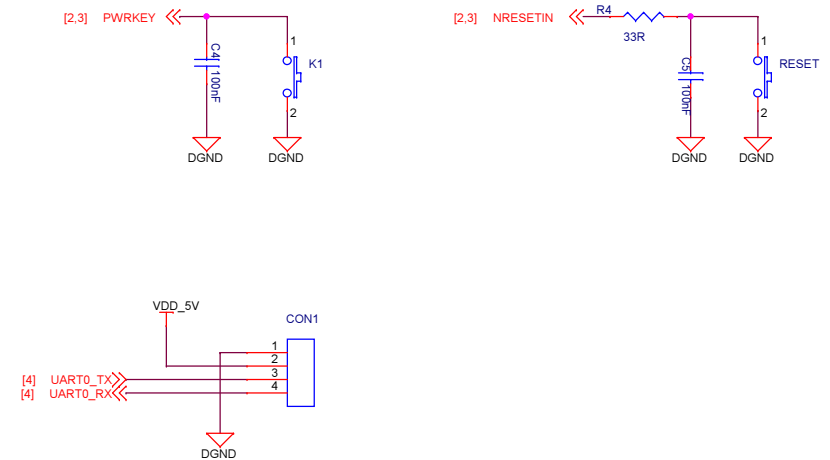
DVP Camera Interface



RGB LCD Interface



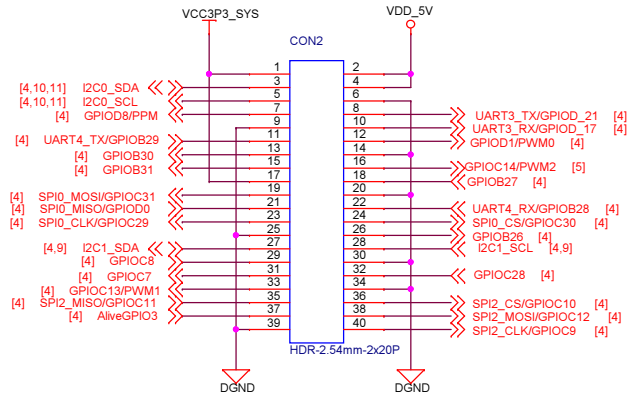
Keys, Debug UART



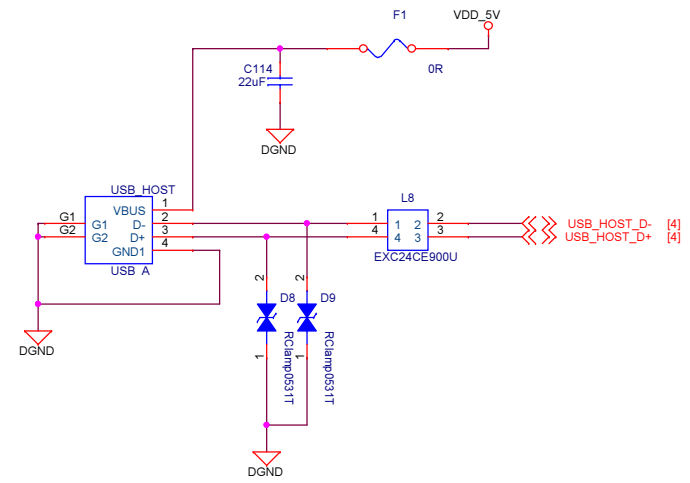
FRIENDLYARM

NanoPi2 Fire		
Size	Document Number	Rev
A3	10.LCD, Camera, MicroSD	1512B
Date:	Monday, January 18, 2016	Sheet 10 of 11

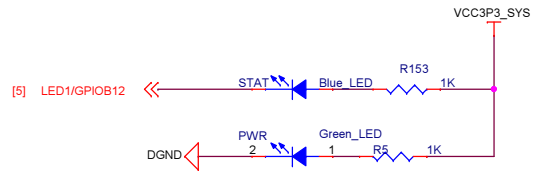
GPIO1



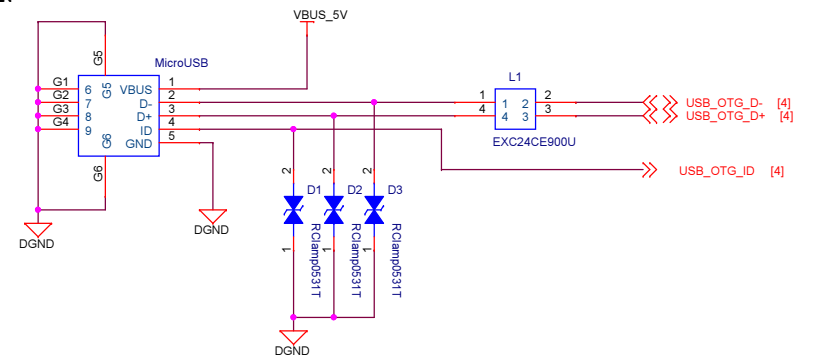
USB Host



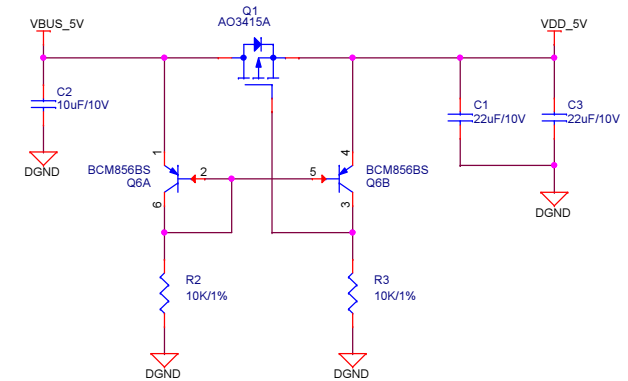
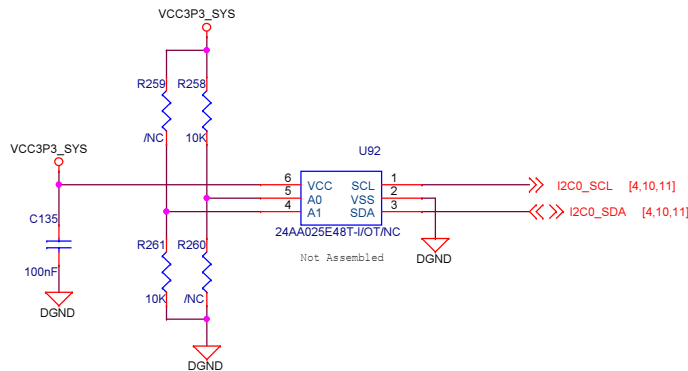
LEDs



MicroUSB, Power IN



Eeprom With MAC Address



FRIENDLYARM

NanoPi2 File		
Size	Document Number	Rev
A3	11.Connector	1512B
Date:	Monday, January 18, 2016	Sheet 11 of 11