

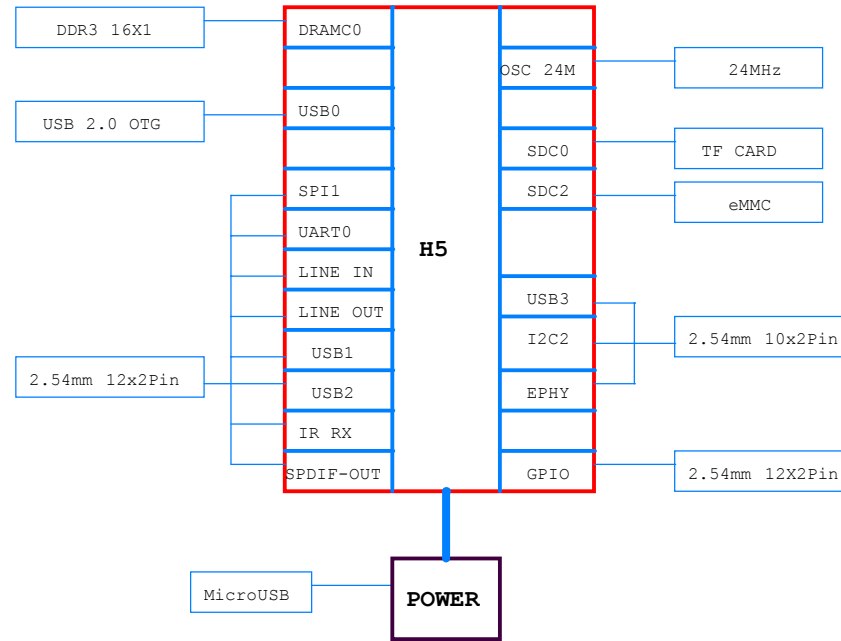
# NanoPi NEO Core2

Revision  
1707 , First Release

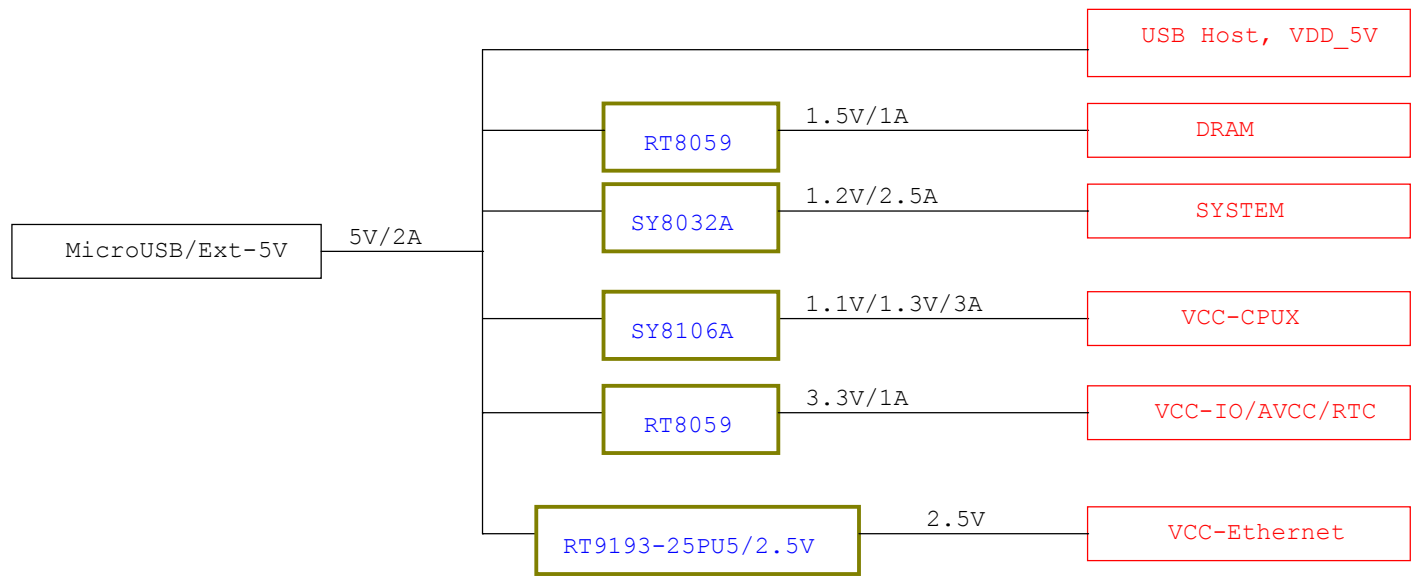


NanoPi NEO Core2			
Size	Document	Number	Rev
A3	Title		1707
Date:	Monday, November 27, 2017	Sheet	1 of 11

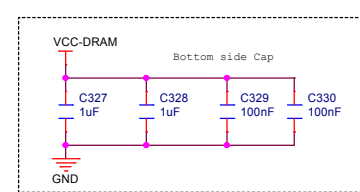
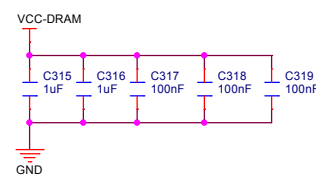
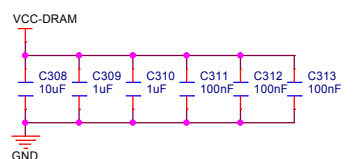
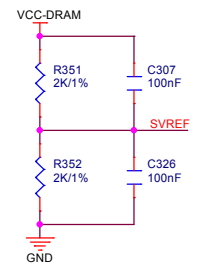
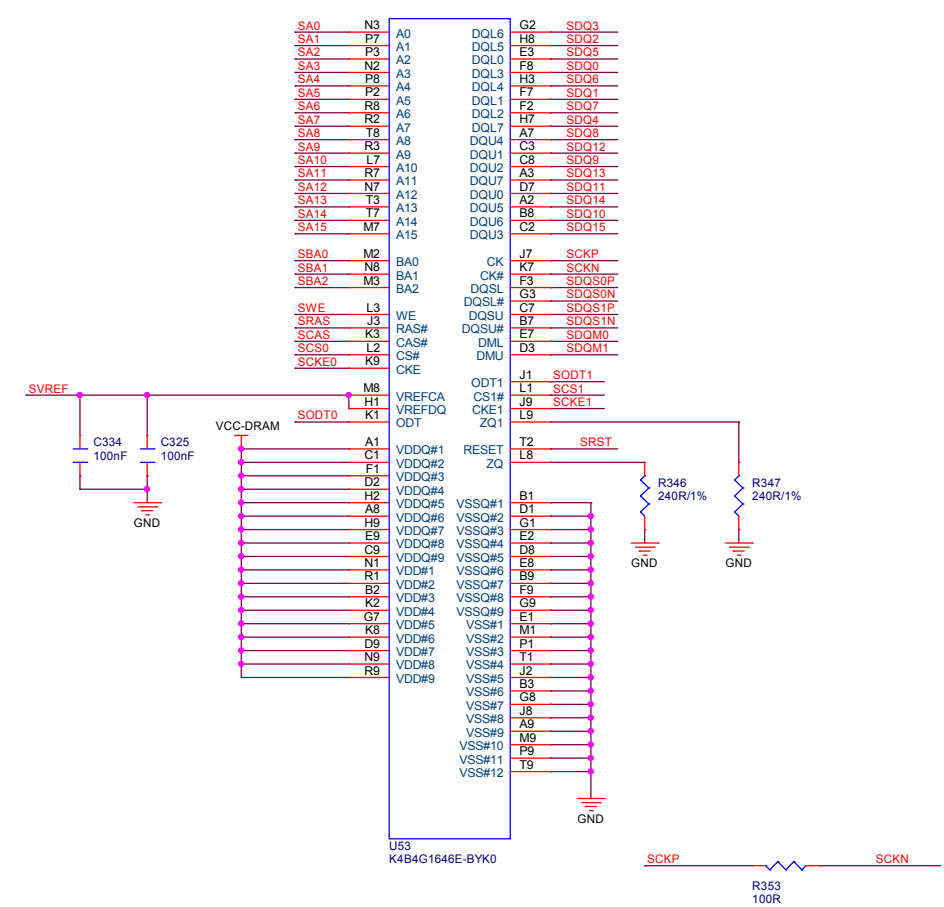
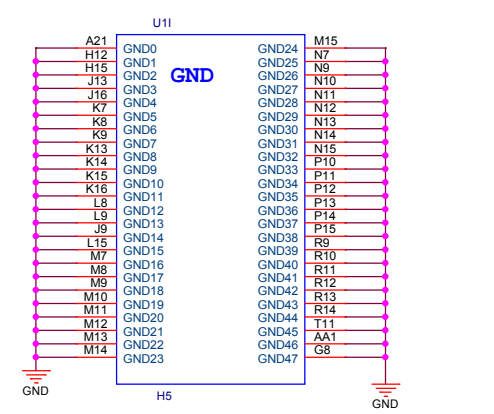
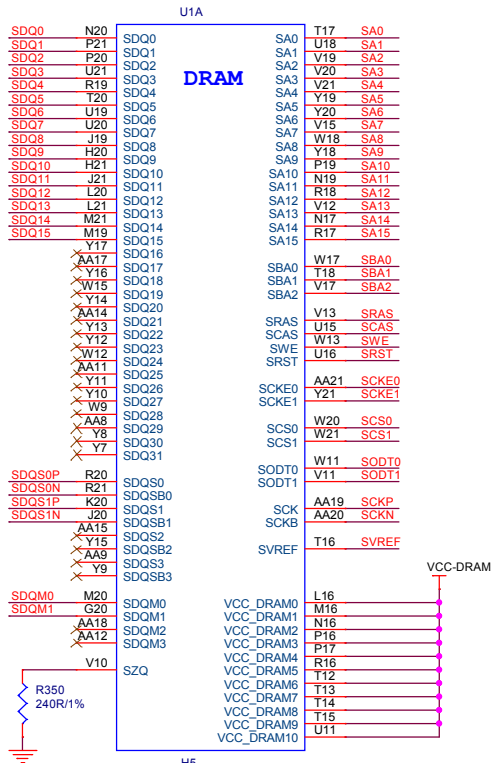
# BLOCK



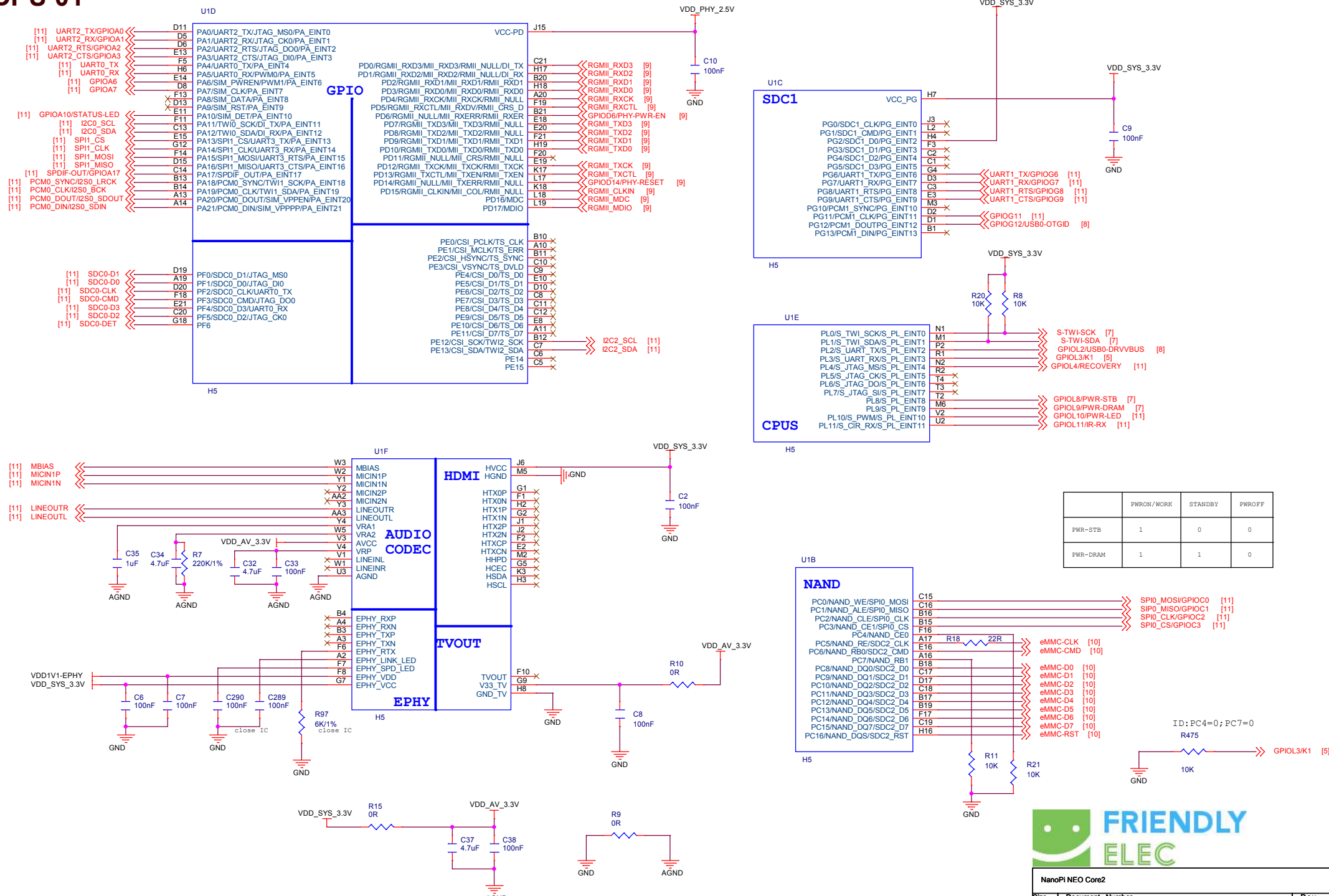
# POWER TREE



# DDR3 16x1



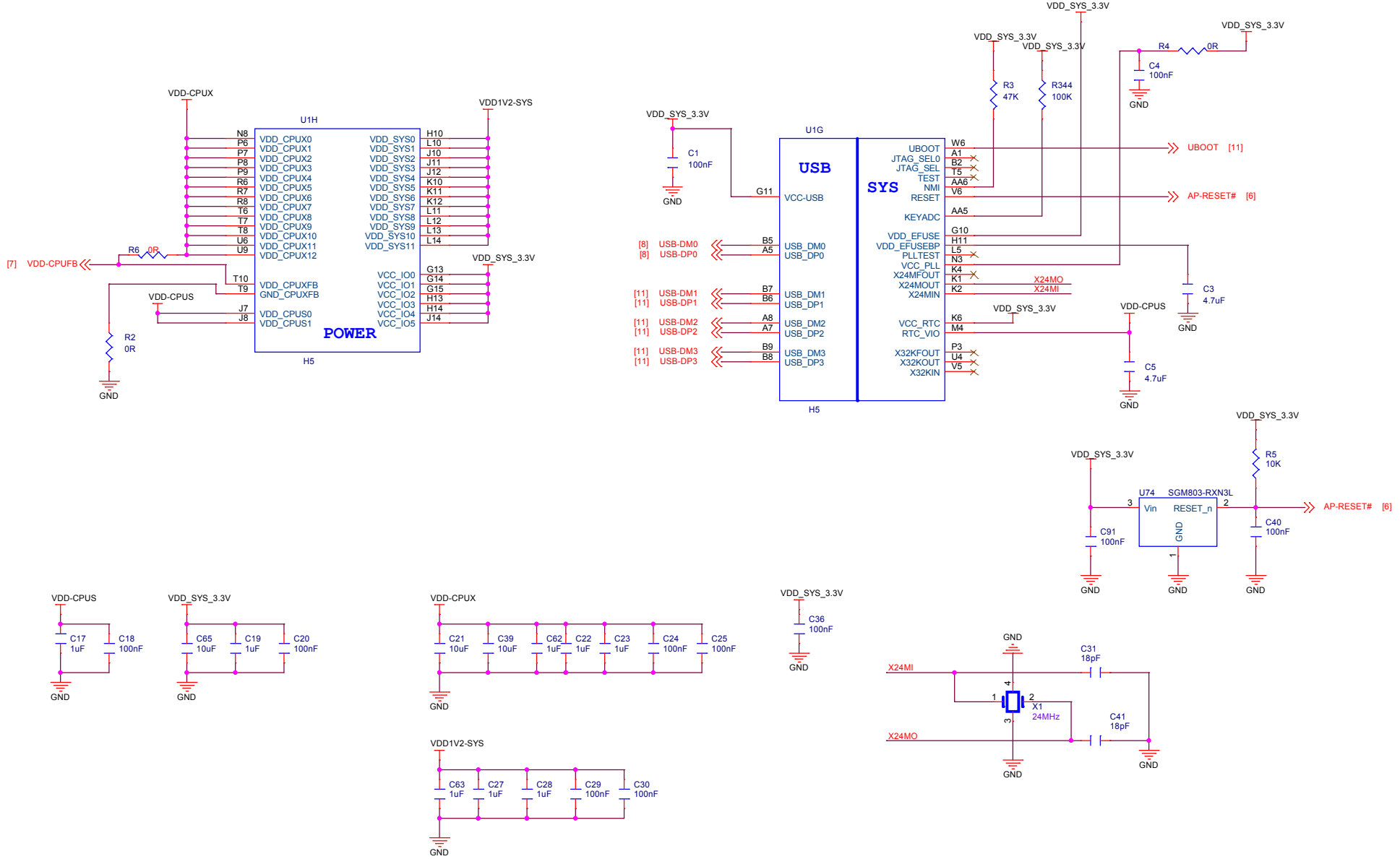
# CPU 01



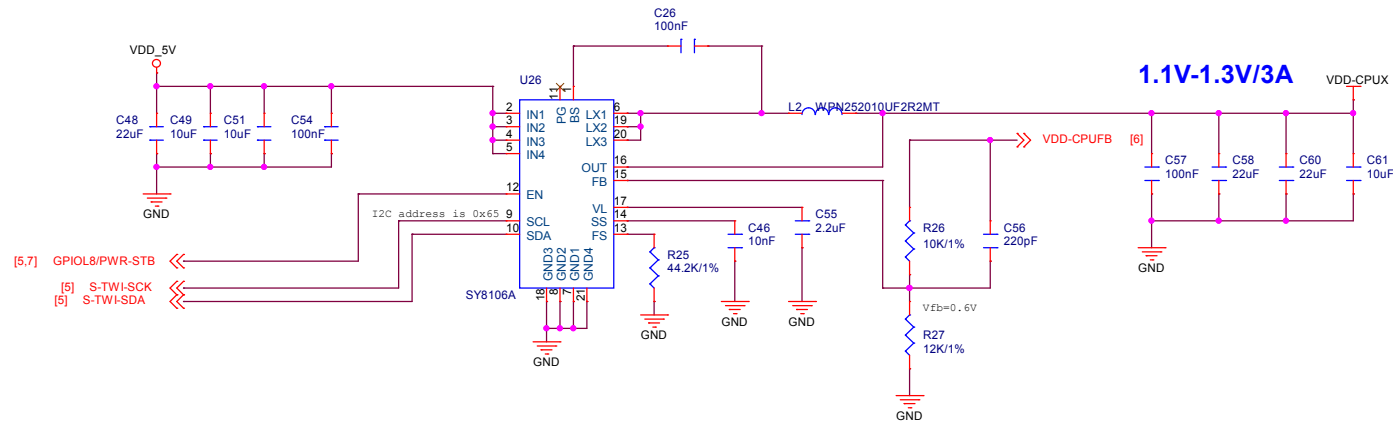
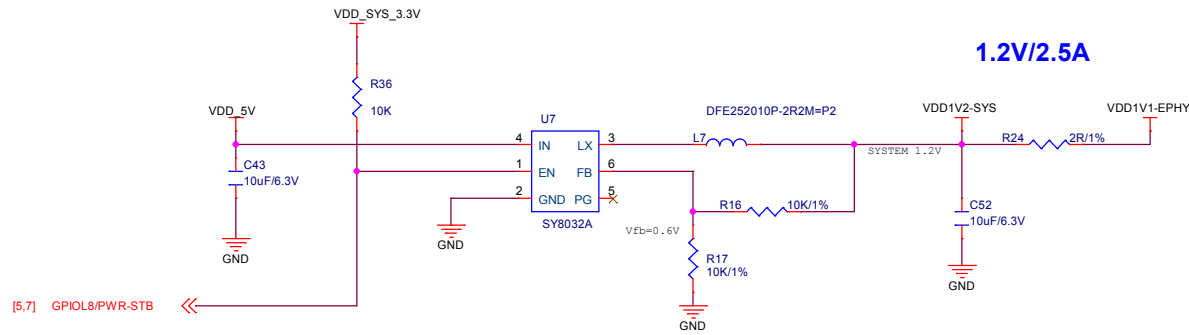
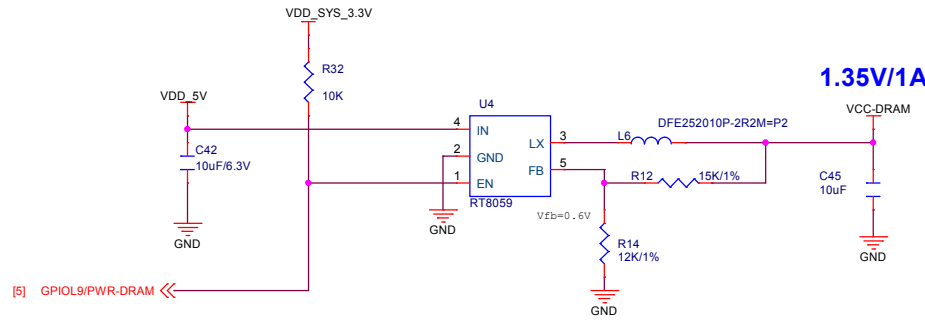
	PWRON / WORK	STANDBY	PWROFF
PWR-STB	1	0	0
PWR-DRAM	1	1	0



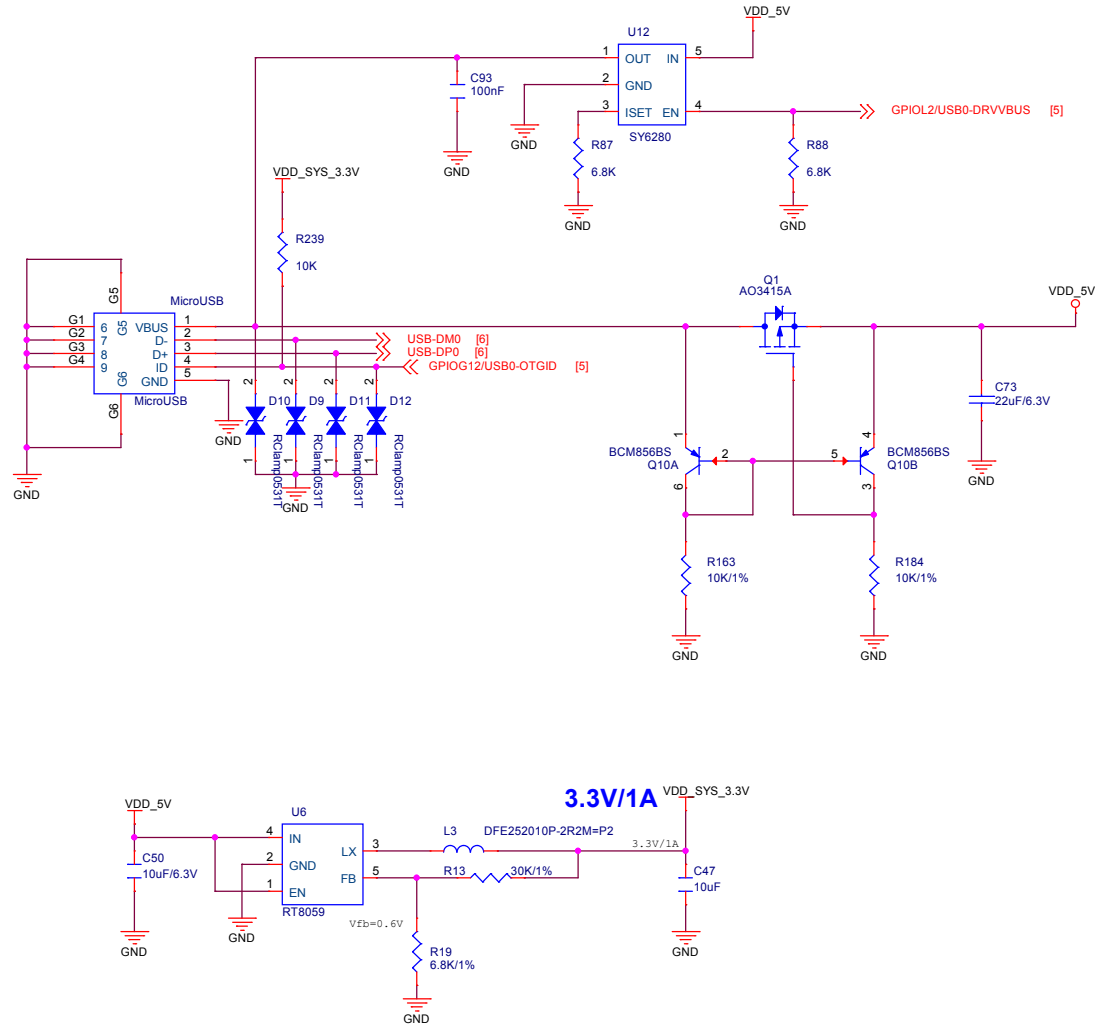
# CPU 02



# POWER 01

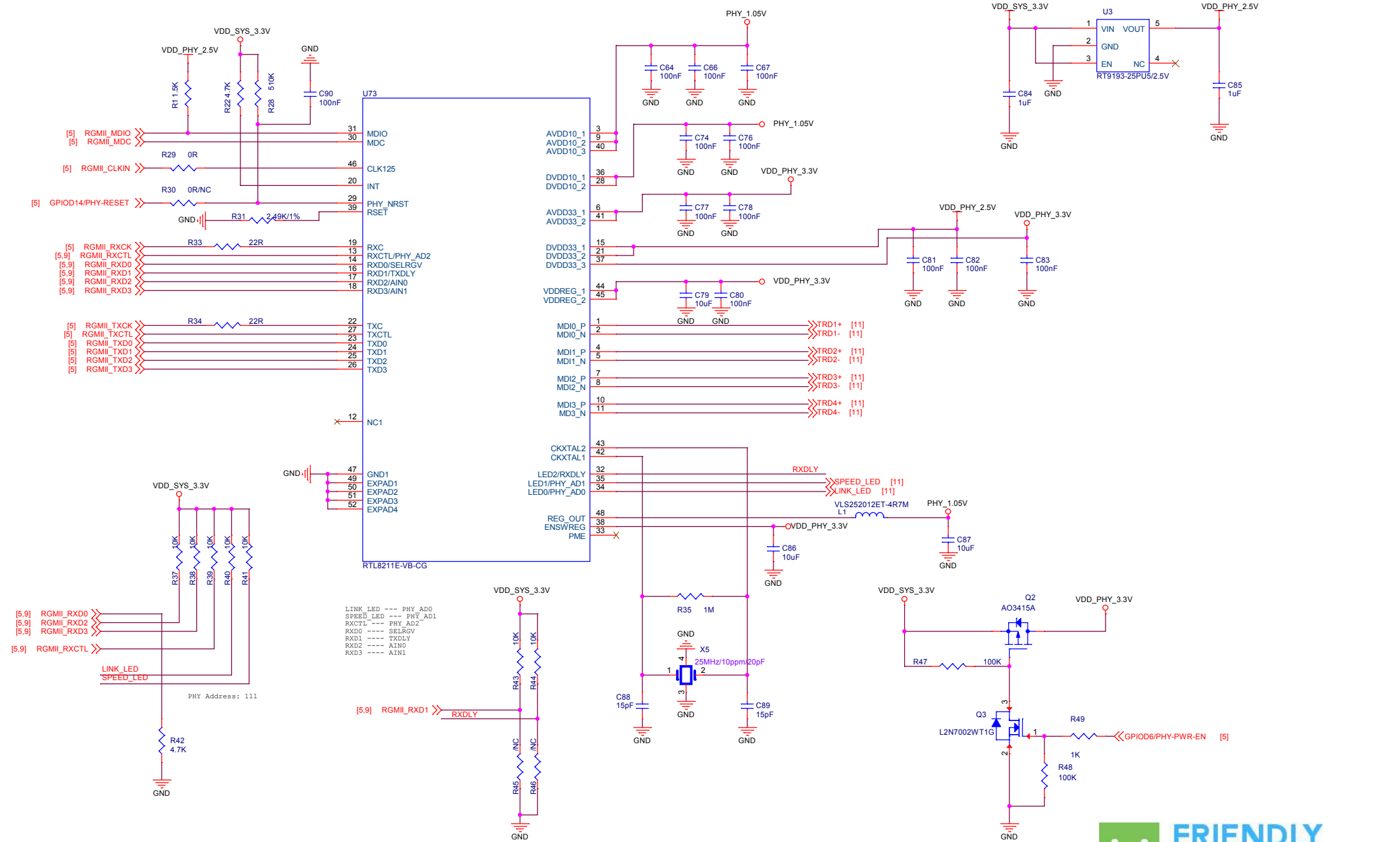


# POWER 02





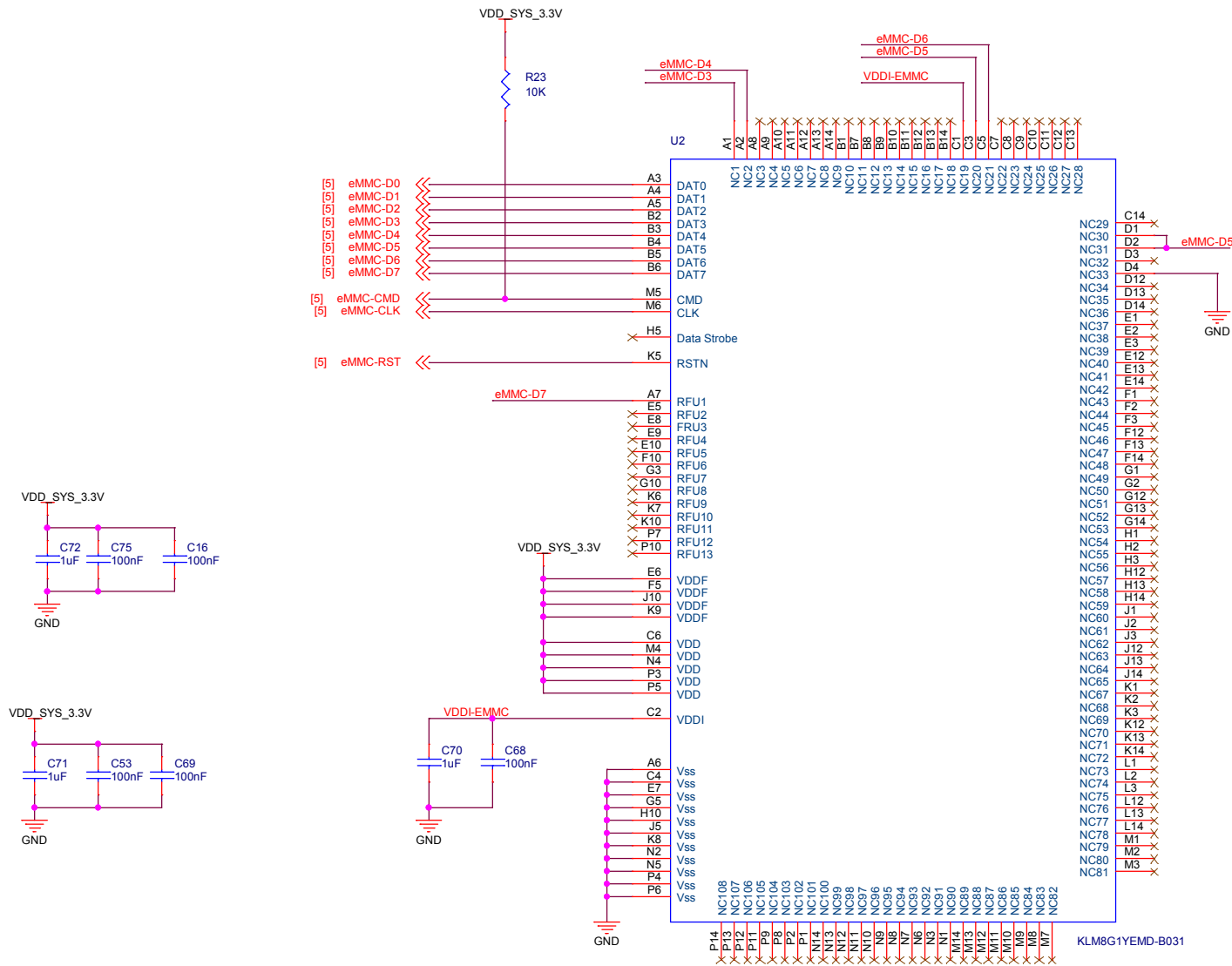
# 10/100/1000M Ethernet



PHY Address: 111



# eMMC



NanoPi NEO Core2		
Size B	Document Number eMMC	Rev 1707
Date:	Monday, November 27, 2017	Sheet 10 of 11

# GPIO,Card,LEDs

