

# NanoPi M2A/M3

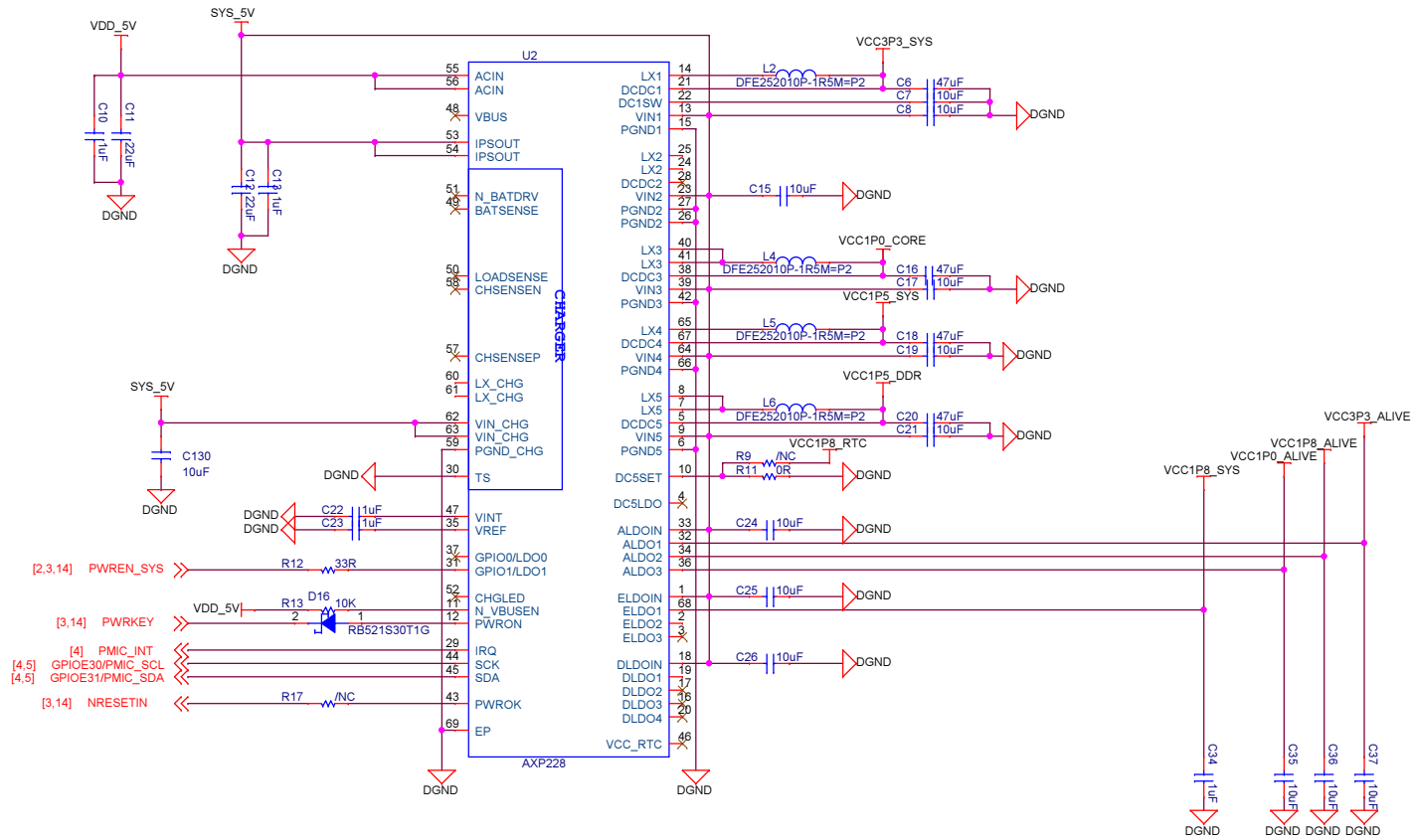
Revision

1604 , First Release

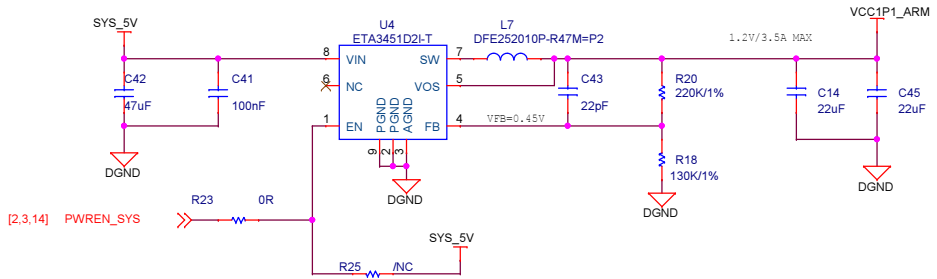
**FRIENDLYARM**

NanoPi M2A/M3		
Size	Document Number	Rev
A3	01.Title	1604
Date:	Wednesday, May 18, 2016	Sheet 1 of 15

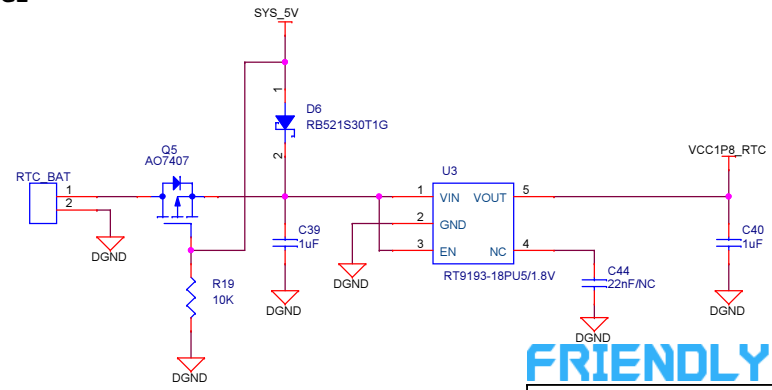
PMIC



VDD\_ARM

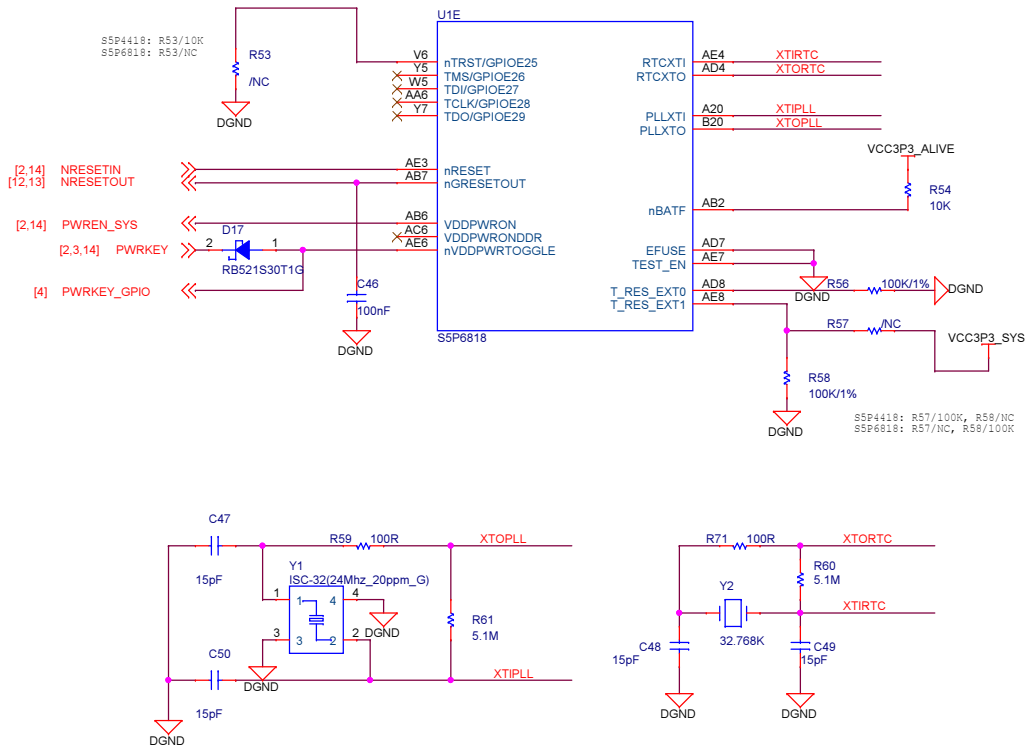


RTC Power

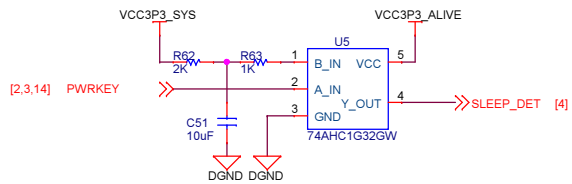


NanoPi M2A/M3		
Size A3	Document Number 02.PMIC	Rev 1604
Date: Wednesday, May 18, 2016	Sheet 2	of 15

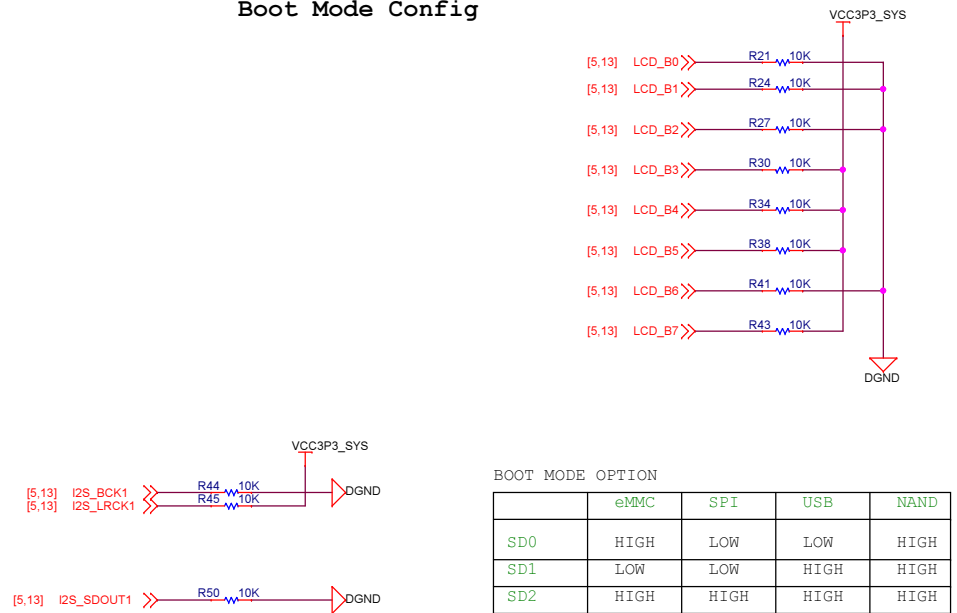
## System Reset, Clocks



## Sleep Detect



## Boot Mode Config



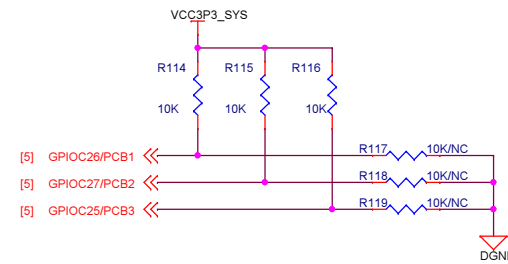
### BOOT MODE OPTION

	eMMC	SPI	USB	NAND
SD0	HIGH	LOW	LOW	HIGH
SD1	LOW	LOW	HIGH	HIGH
SD2	HIGH	HIGH	HIGH	HIGH
SD4	LOW	HIGH		
SD5	LOW	LOW		

### Boot media port select (SPI, eMMC)

	CH0	CH1	CH2
SD3	LOW	HIGH	LOW
CAM1_D3	LOW	LOW	HIGH

## PCB Version

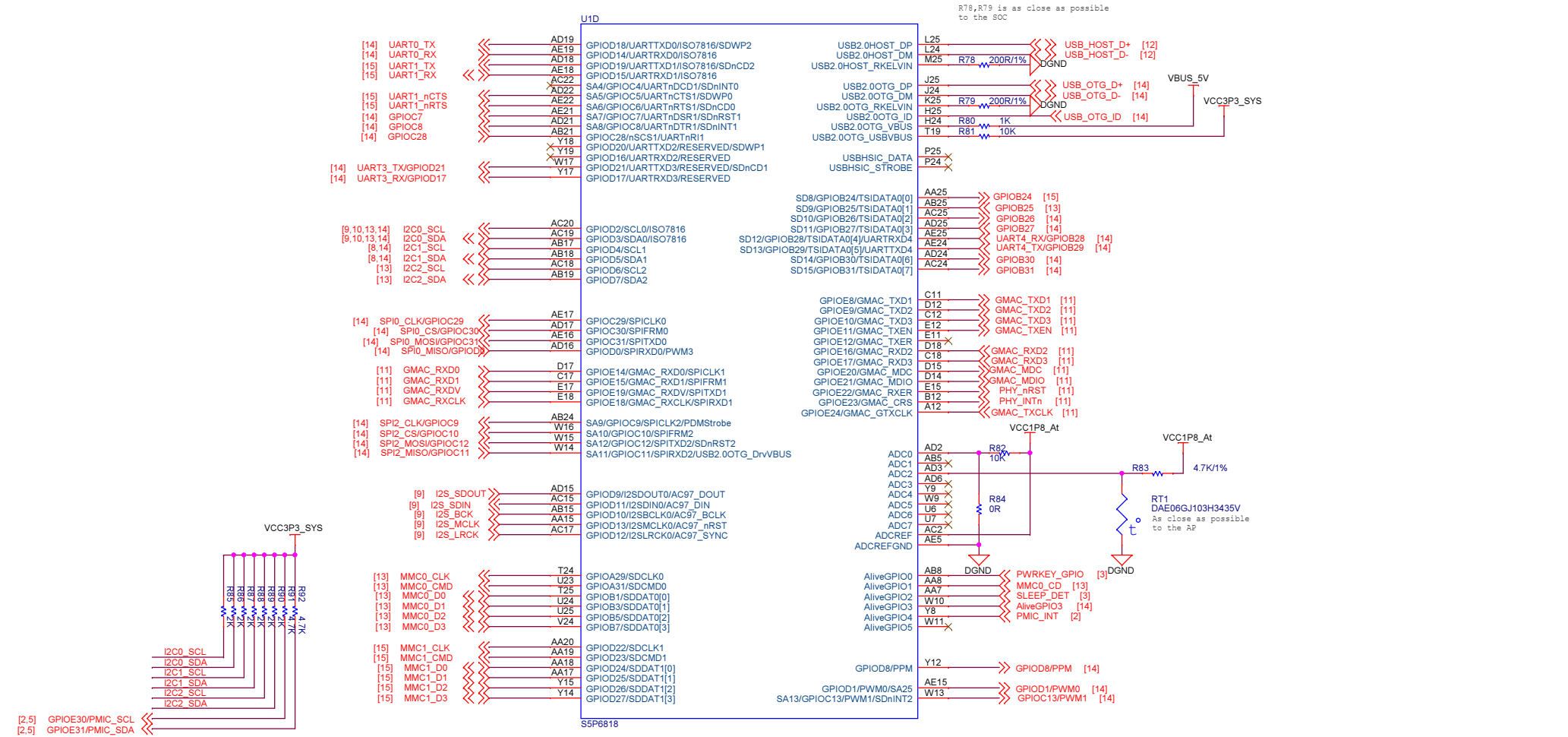


**FRIENDLYARM**

NanoPi M2A/M3

Size A3	Document Number 03.AP System Control	Rev 1604
Date: Wednesday, May 18, 2016	Sheet 3	of 15

# AP Peripherals



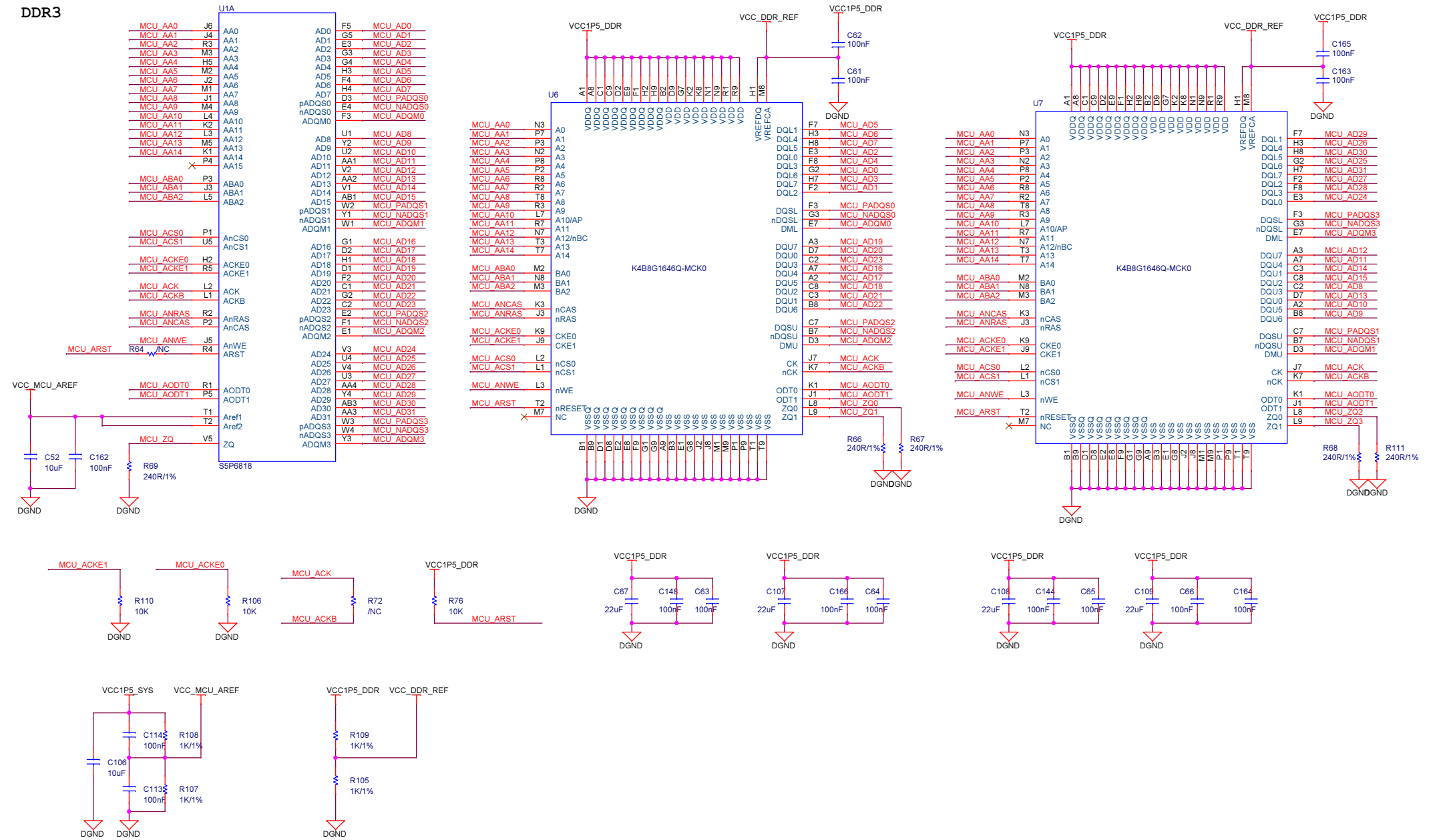
I2C CH0 : Camera  
 I2C CH1 : HDMI EDID  
 I2C CH2 : Touch  
 PMIC\_I2C : PMIC



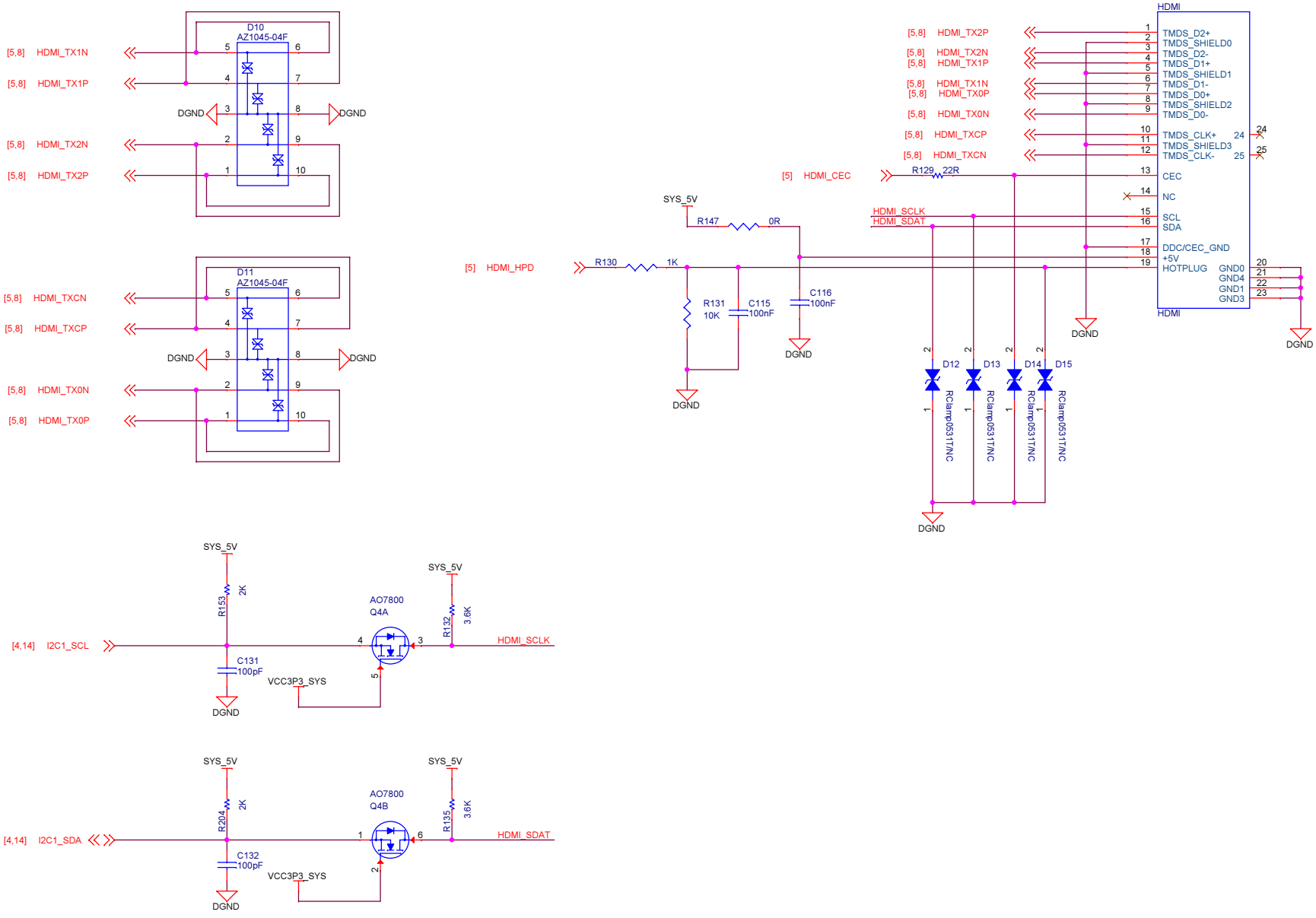




DDR3



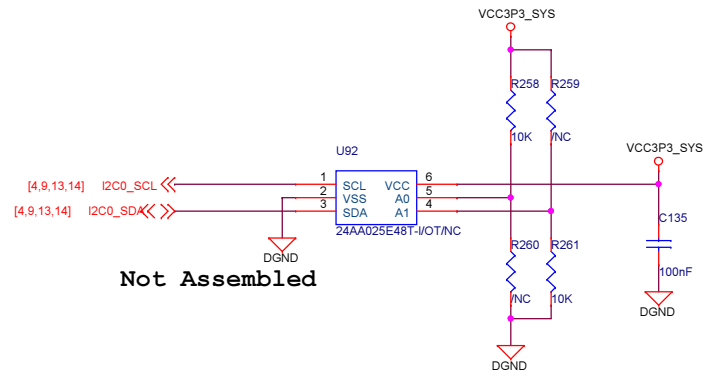
# HDMI







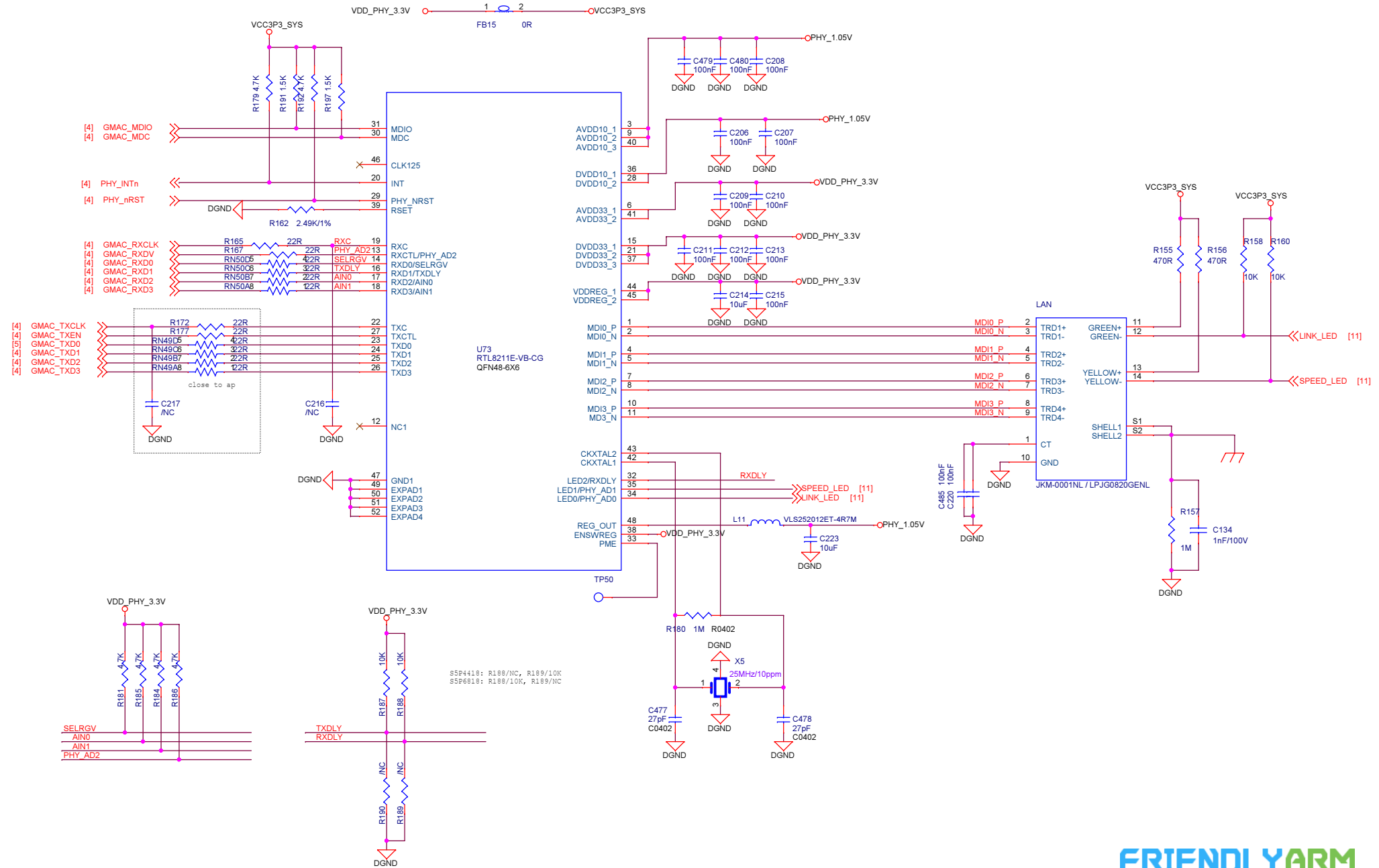
### EEPROM with MAC Address



**FRIENDLYARM**

NanoPi M2AM3		
Size A3	Document Number 11.EEPROM_SHA-256_Holes	Rev 1604
Date: Wednesday, May 18, 2016	Sheet 10	of 15

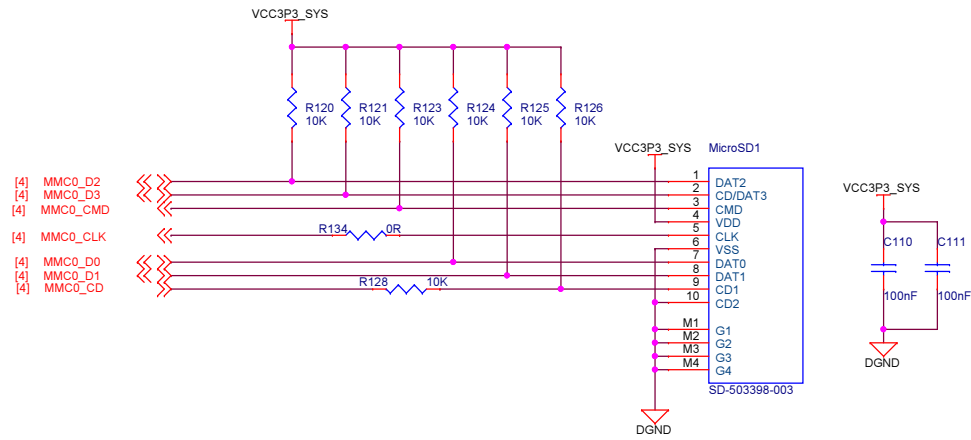
# 10/100/1000M Ethernet



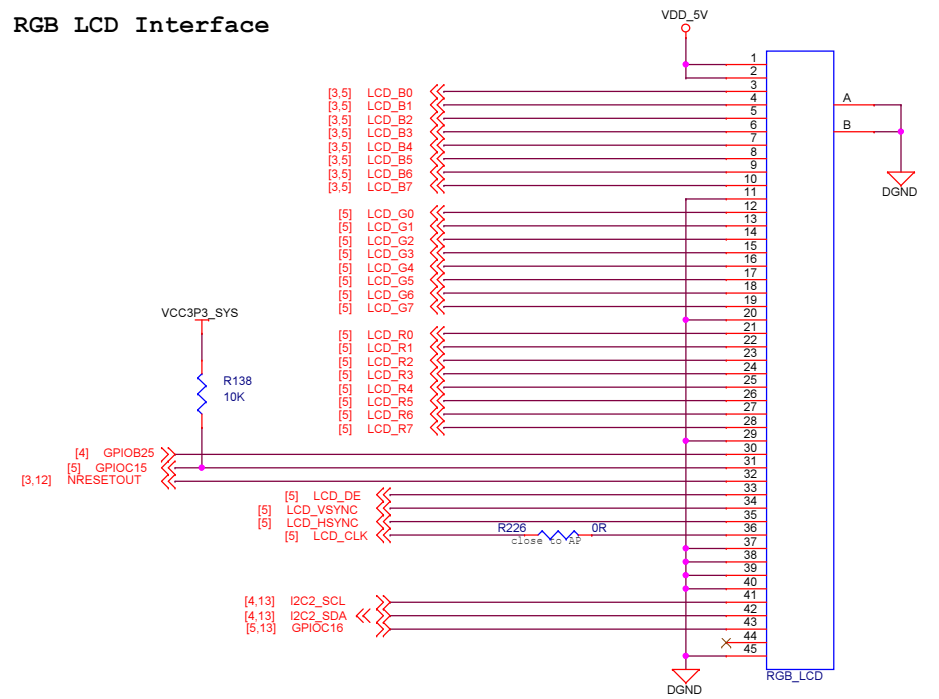
NanoPi M2A/M3		
Size A3	Document Number 14.LAN	Rev 1604
Date: Wednesday, May 18, 2016	Sheet 11	of 15



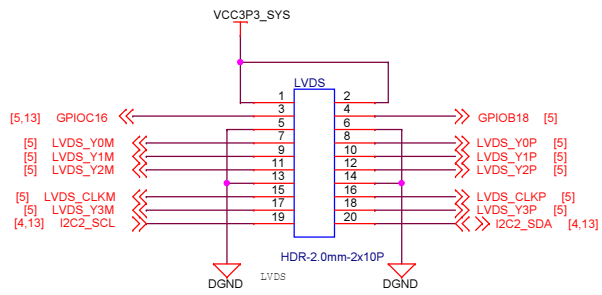
### SDCARD



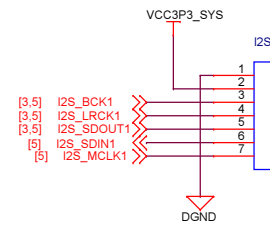
### RGB LCD Interface



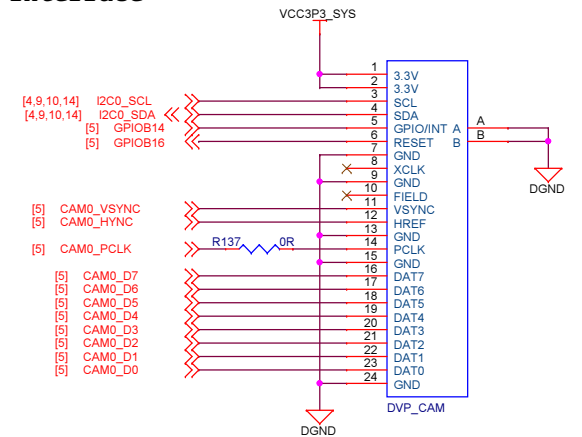
### LVDS



### I2S Interface

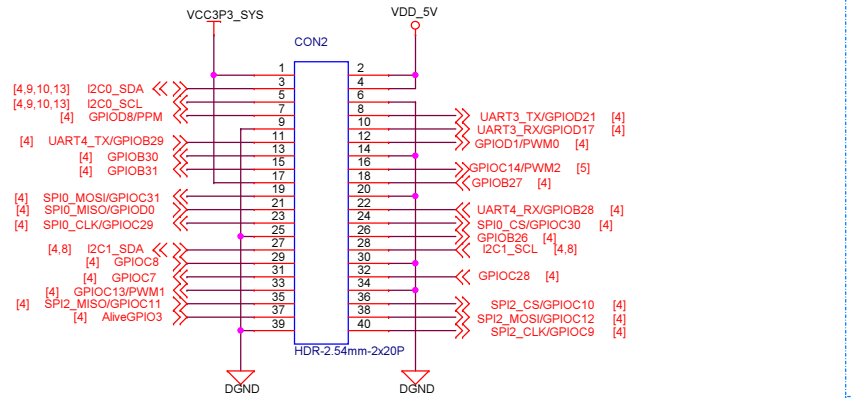


### Camera Interface

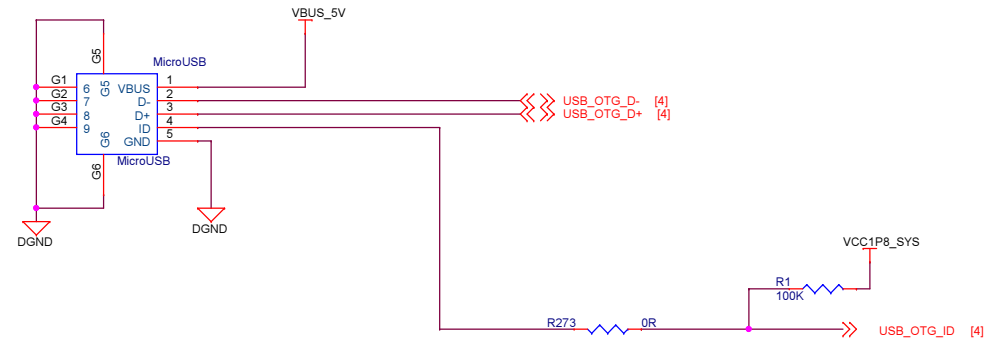


**FRIENDLYARM**

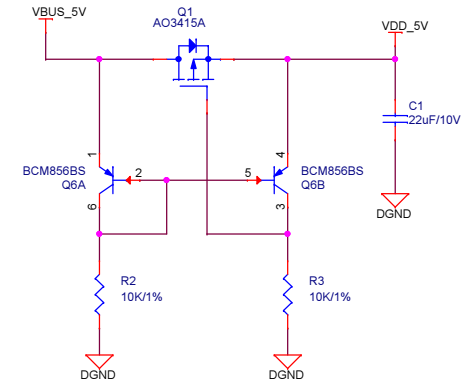
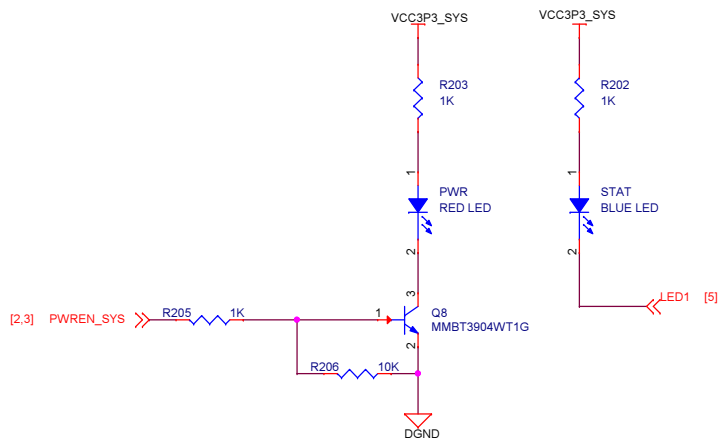
## 2.54mm Header



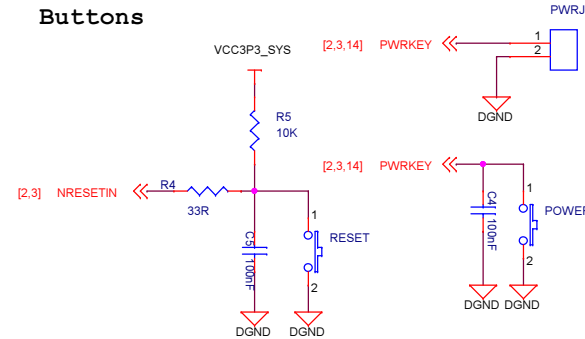
## MicroUSB



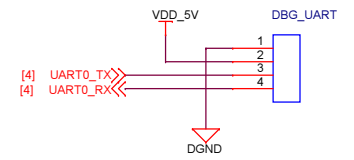
## LEDs



## Buttons



## Debug UART



**FRIENDLYARM**

# Wi-Fi/Bluetooth

