

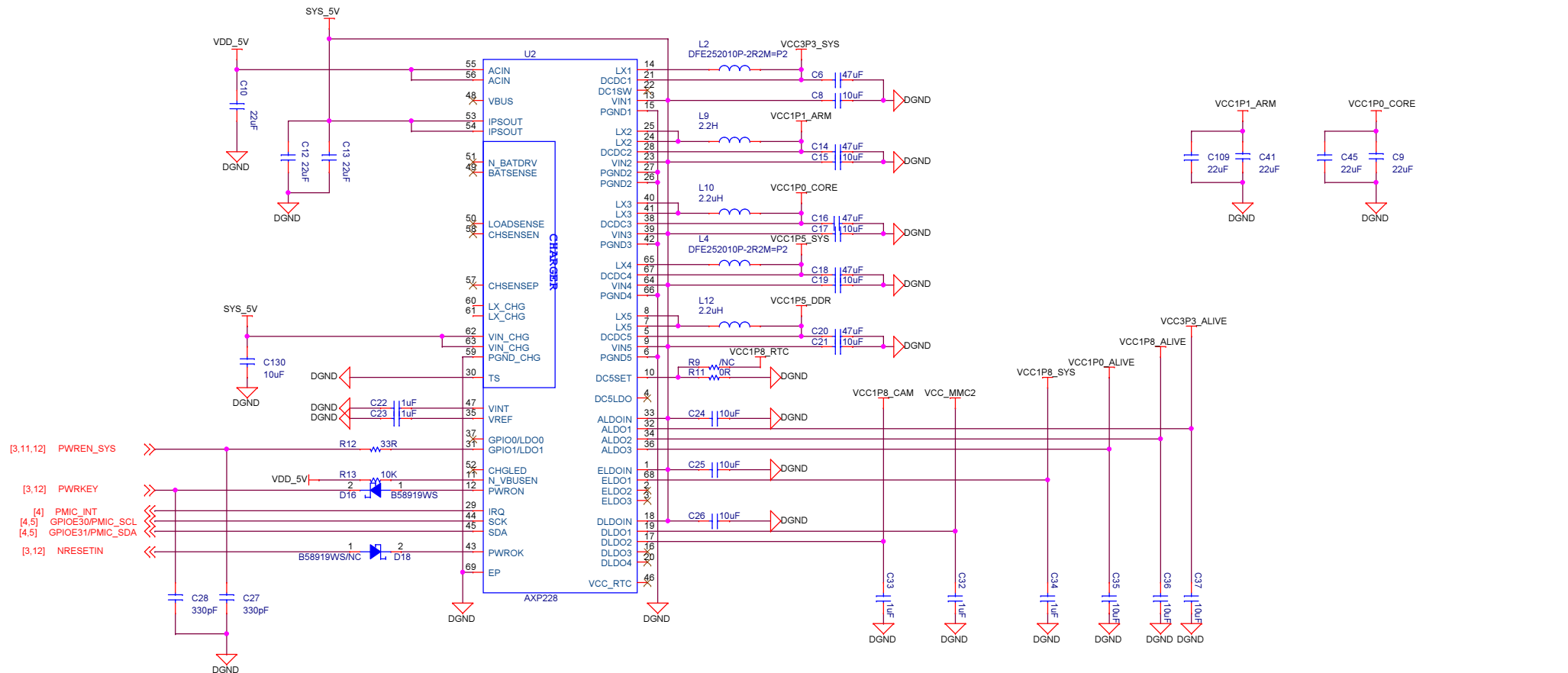
Smart4418

Revision

- 1512 , First Version
- 1608:
 - Modified PMIC(U2) schematic
 - Add PWREN SYS Output to P4.29
 - Add Q8, L \bar{I} N2, RIN2

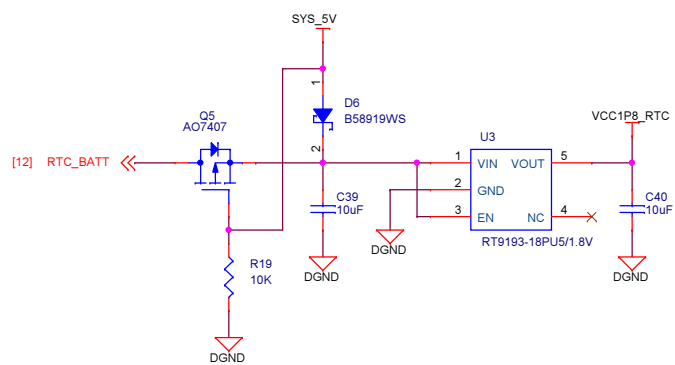
FRIENDLYARM

| | | |
|------------|-----------------------------|---------------|
| Smart4418 | | |
| Size A3 | Document Number 01.Title | Rev 1608 |
| Date: | Friday, October 14, 2016 | Sheet 1 of 12 |



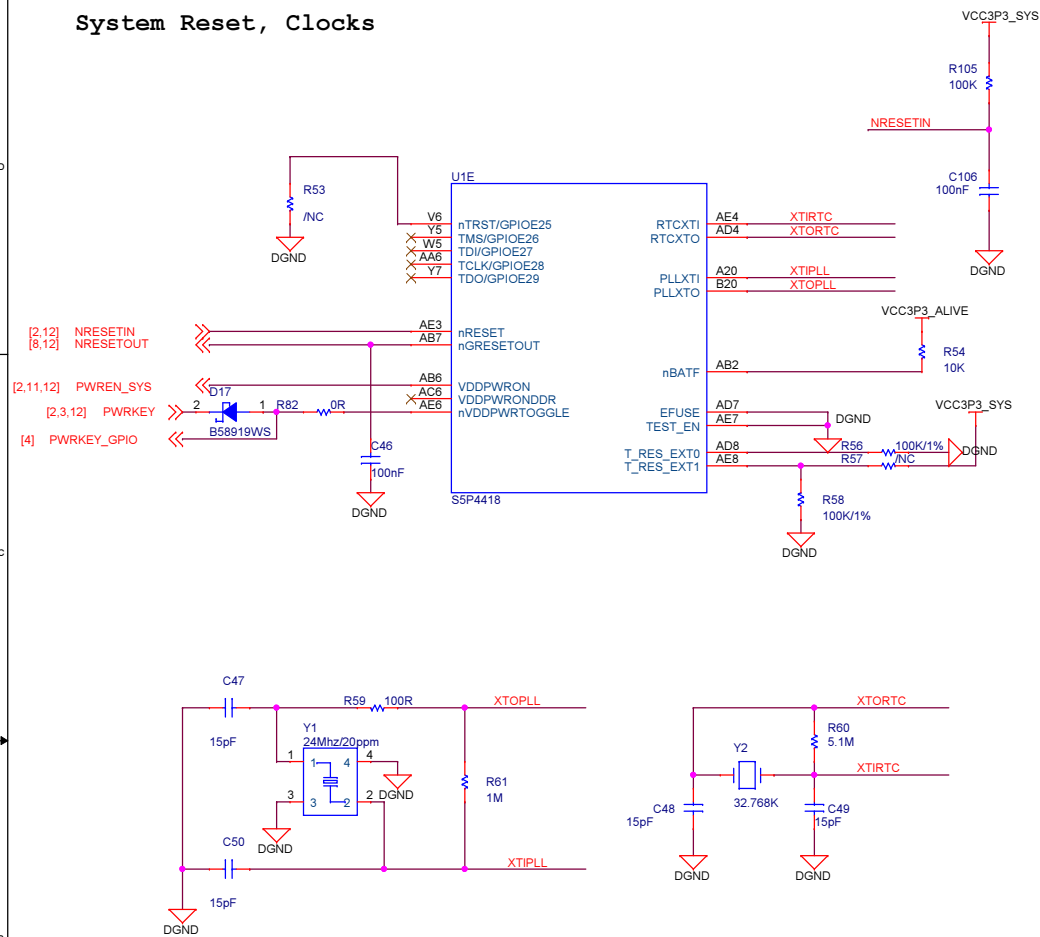
- [3,11,12] PWREN_SYS
- [3,12] PWRKEY
- [4] PMIC_INT
- [4,5] GPIOE30/PMIC_SCL
- [4,5] GPIOE31/PMIC_SDA
- [3,12] NRESETIN

RTC Power

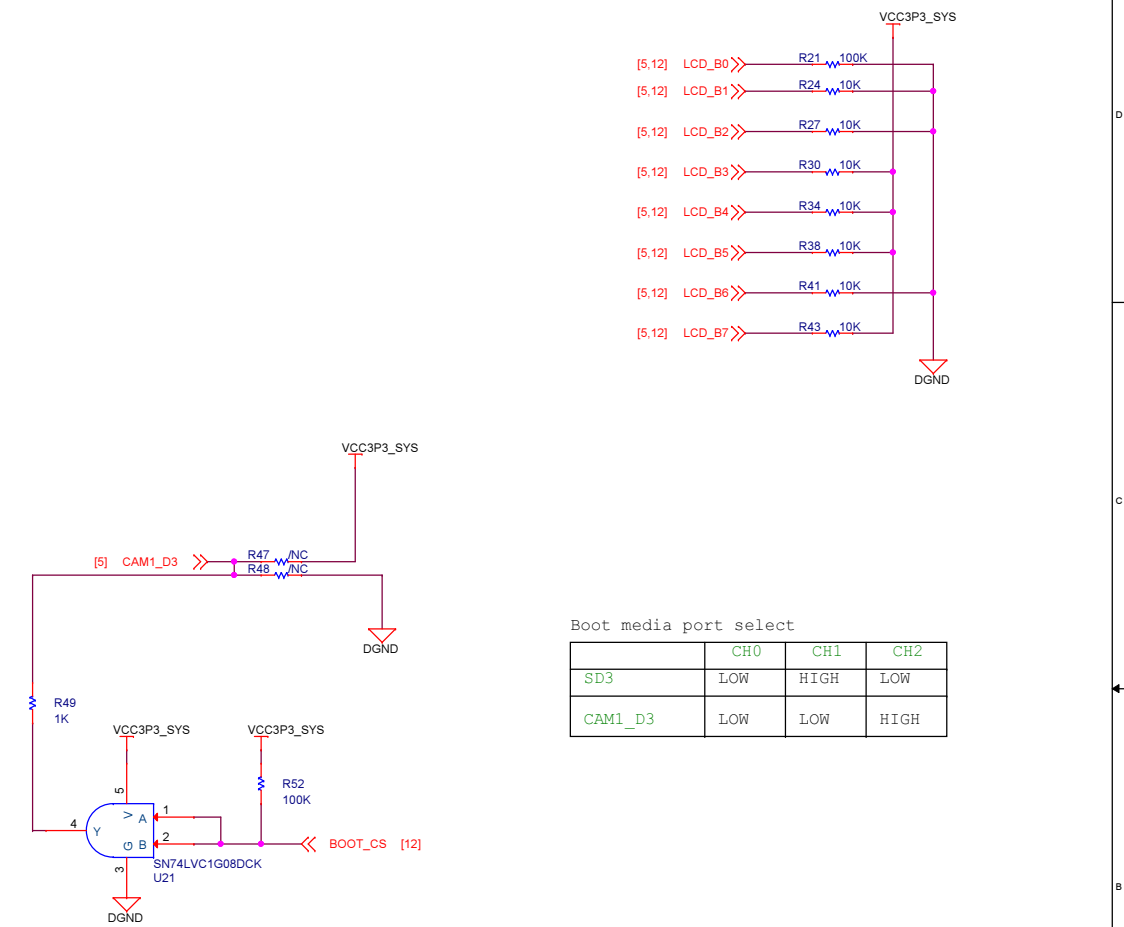


| | | |
|----------------------------------|----------------------------|-------------|
| Smart4418 | | |
| Size A3 | Document Number 02.PMIC | Rev 1608 |
| Date Friday, October 14, 2016 | Sheet 2 | of 12 |

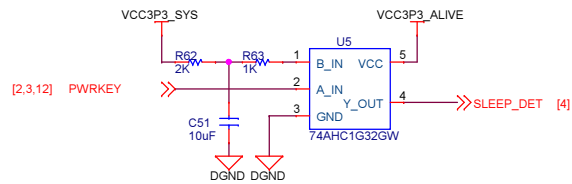
System Reset, Clocks



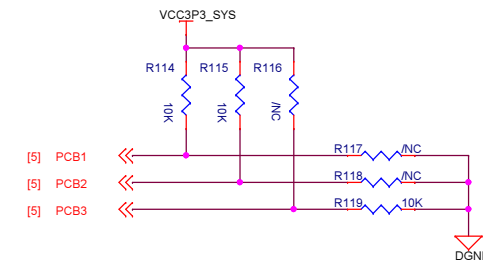
Boot Mode Config



Sleep Detect

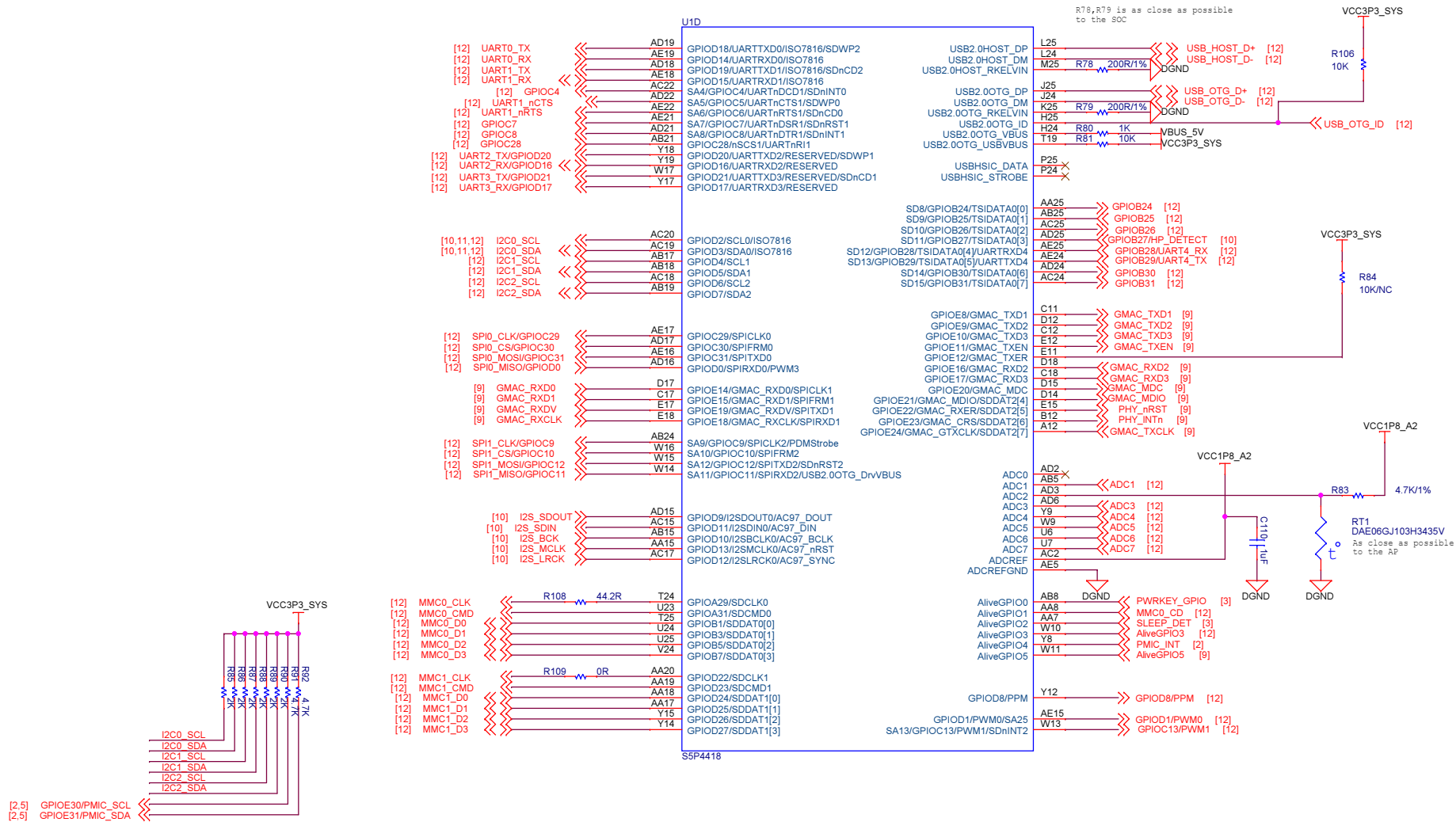


PCB Version

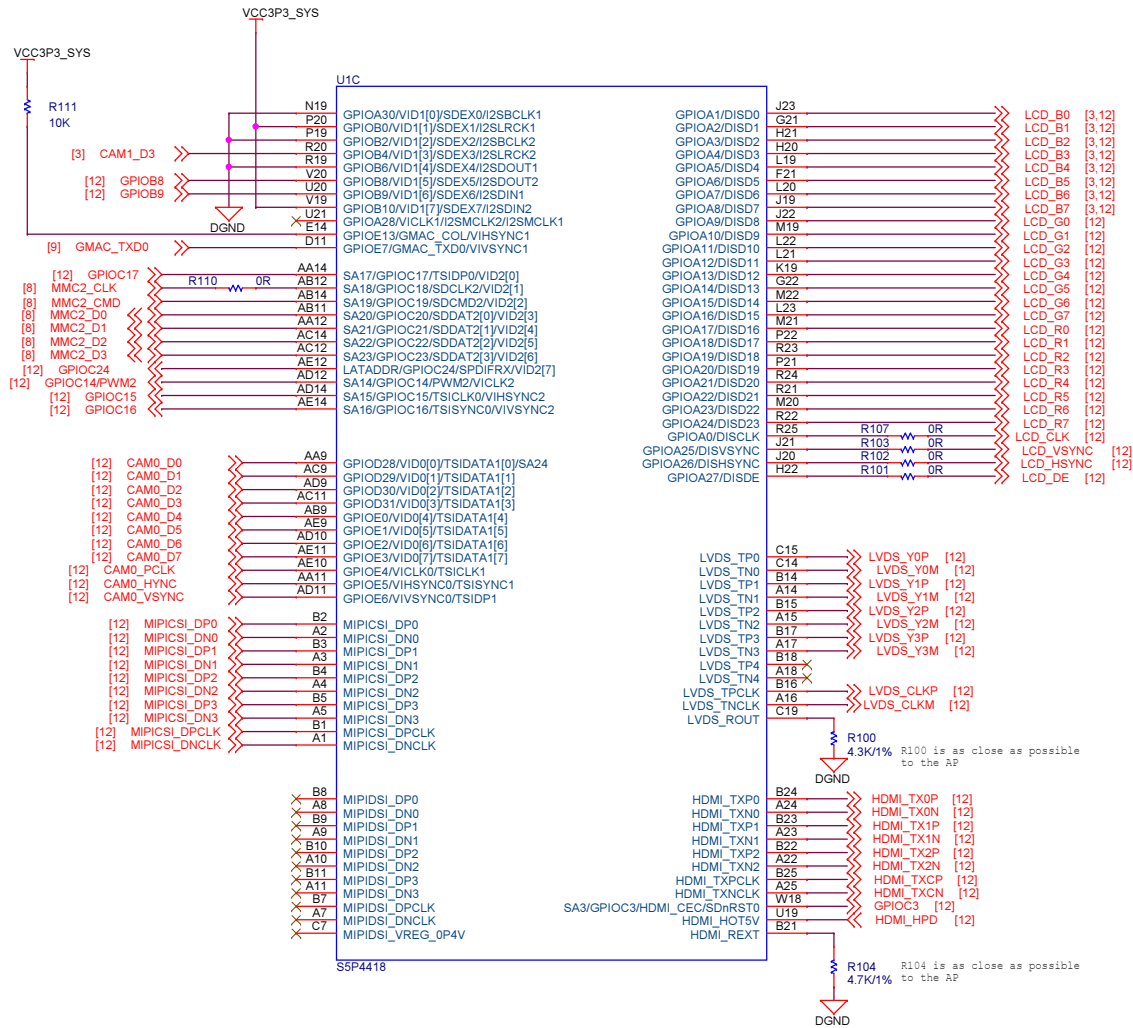


FRIENDLYARM

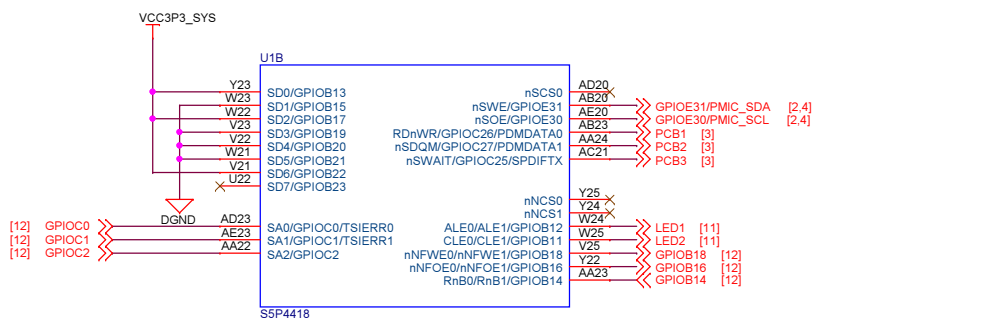
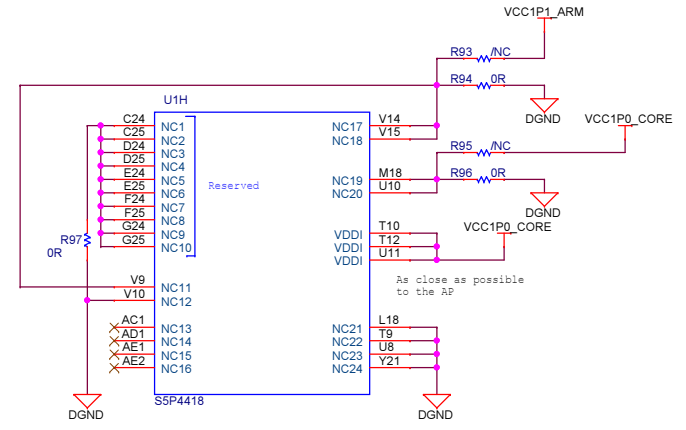
| | | |
|--------------------------------|--------------------------------------|----------|
| Smart4418 | | |
| Size A3 | Document Number 03.AP System Control | Rev 1608 |
| Date: Friday, October 14, 2016 | Sheet 3 | of 12 |



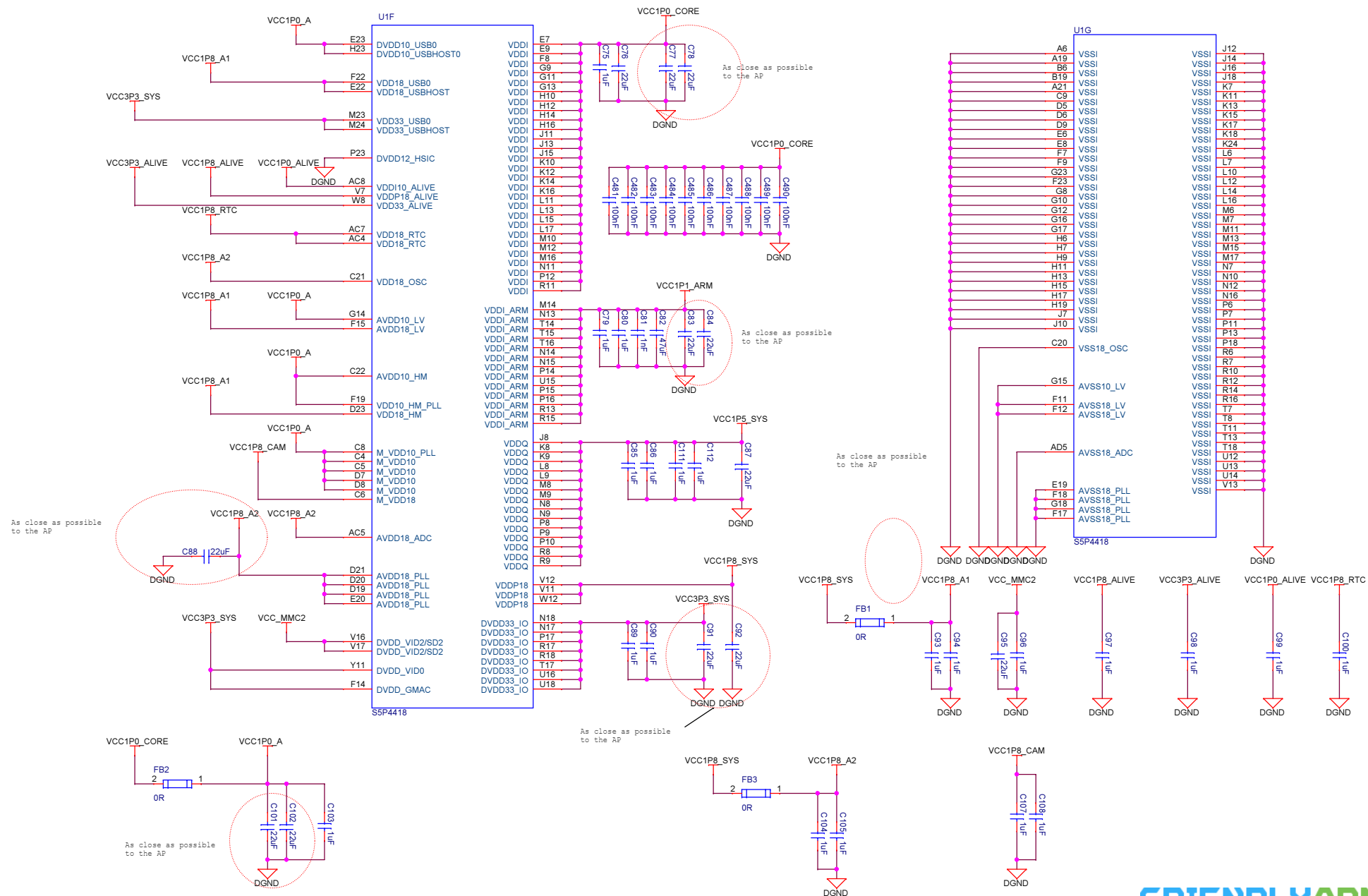
| | | |
|--------------------------------|-----------------------------------|----------|
| Smart4418 | | |
| Size A3 | Document Number 04.AP Peripherals | Rev 1608 |
| Date: Friday, October 14, 2016 | Sheet 4 of 12 | |



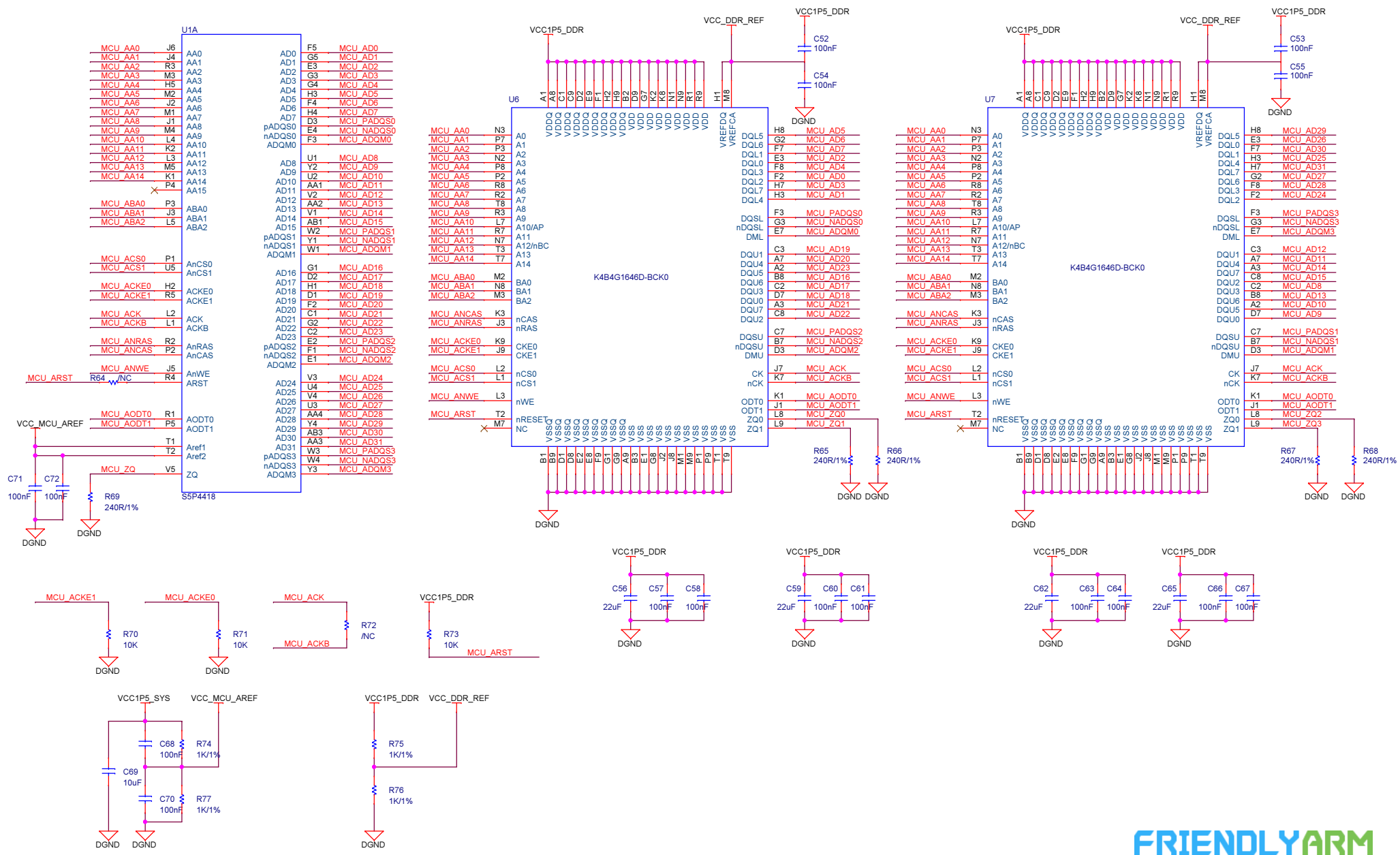
Reserved Function

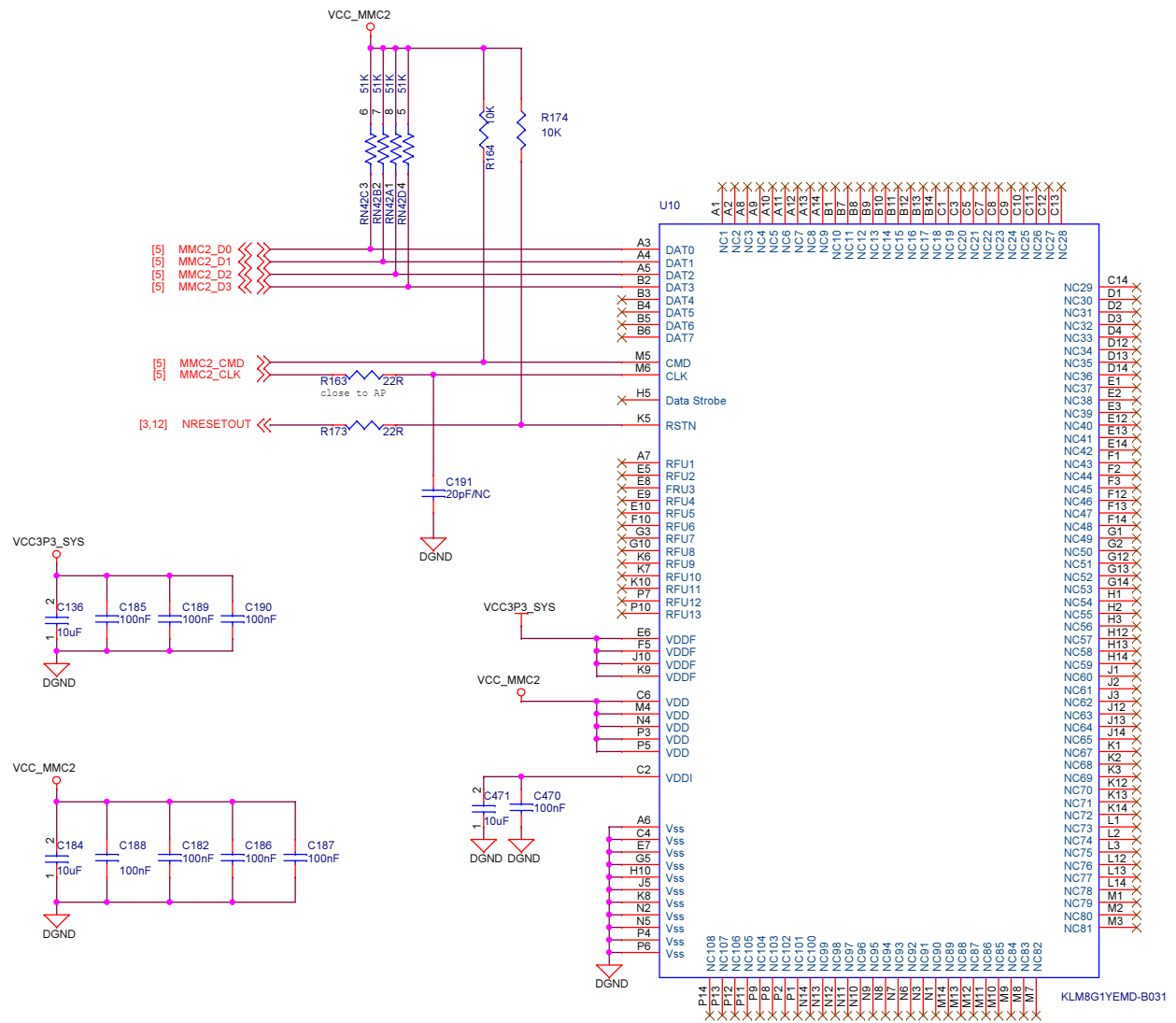


| | | |
|--------------------------------|-----------------------------------|----------|
| Smart4418 | | |
| Size A3 | Document Number 05.AP VIP&Display | Rev 1608 |
| Date: Friday, October 14, 2016 | Sheet 5 of 12 | |



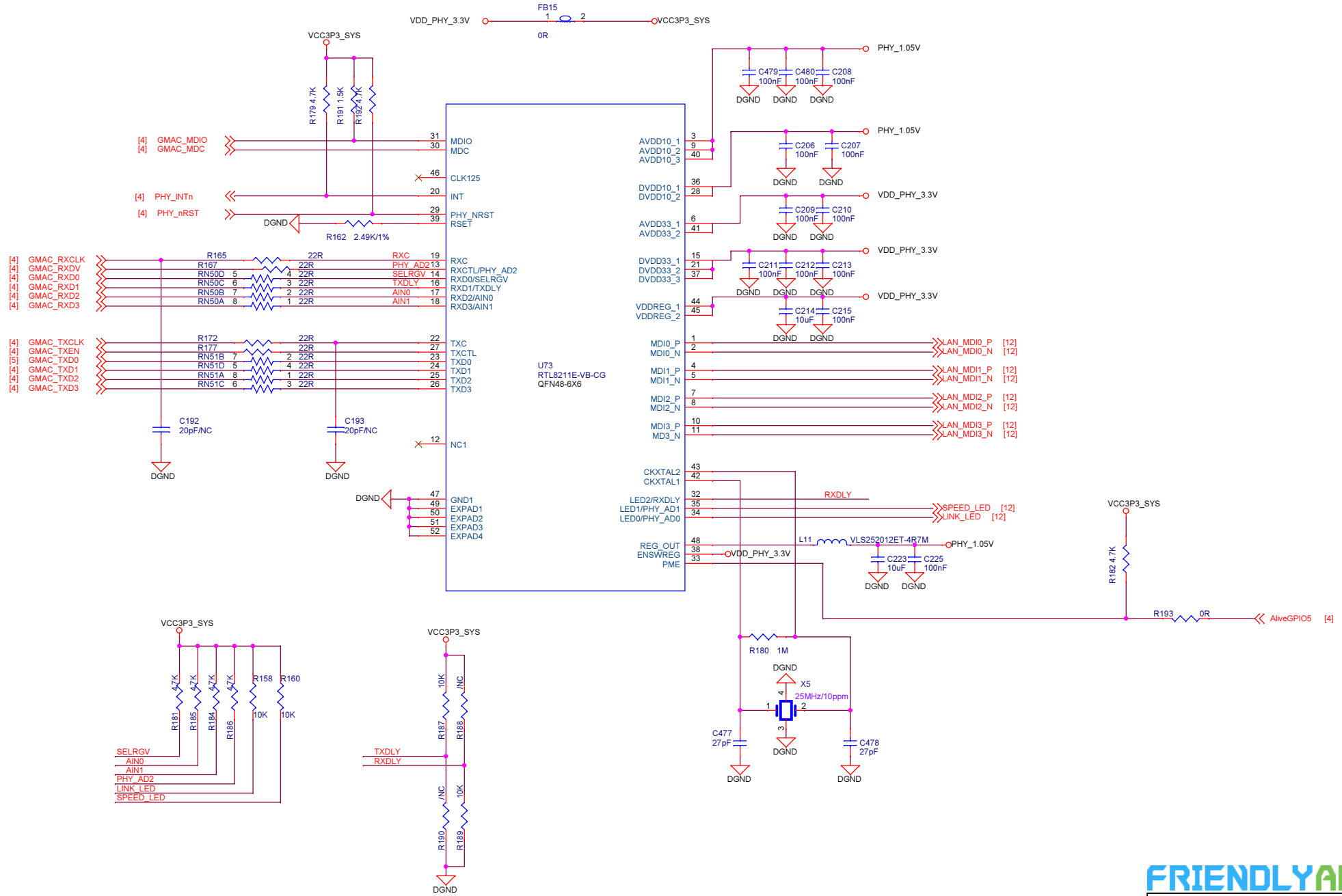
| | | |
|-----------------------------------|--------------------------------|-------------|
| Smart4418 | | |
| Size A3 | Document Number 06.AP Power | Rev 1608 |
| Date: Friday, October 14, 2016 | Sheet 6 | of 12 |





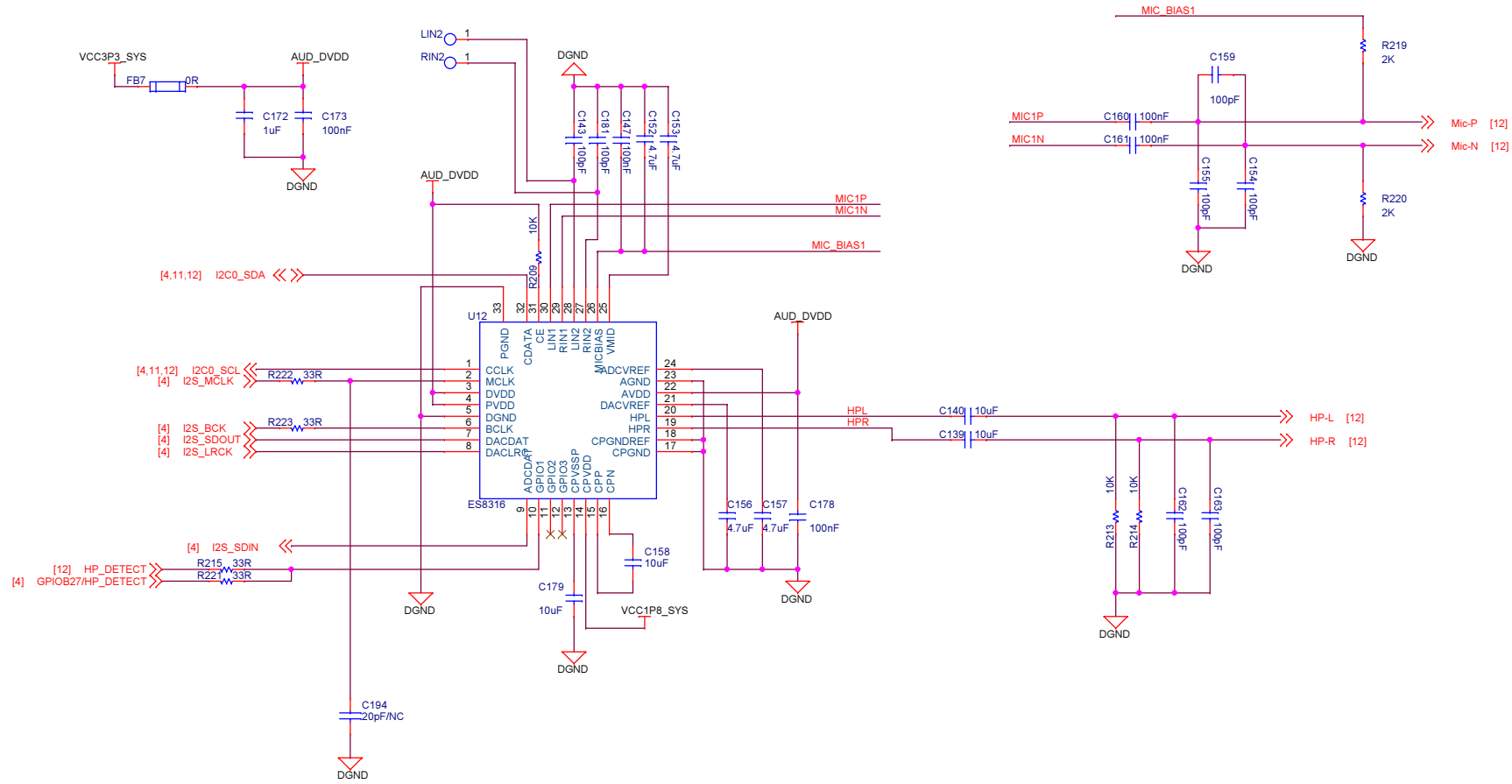
| | | |
|------------|----------------------------|---------------|
| Smart4418 | | |
| Size A3 | Document Number 08.eMMC | Rev 1608 |
| Date: | Friday, October 14, 2016 | Sheet 8 of 12 |

10/100/1000M Ethernet



| | | |
|-----------------------------------|-------------------------------|-------------|
| Smart4418 | | |
| Size A3 | Document Number 09.LAN.PHY | Rev 1608 |
| Date: Friday, October 14, 2016 | Sheet 9 | of 12 |

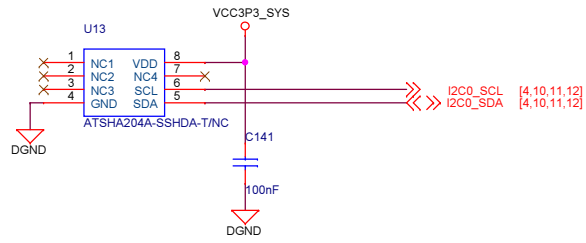
Audio



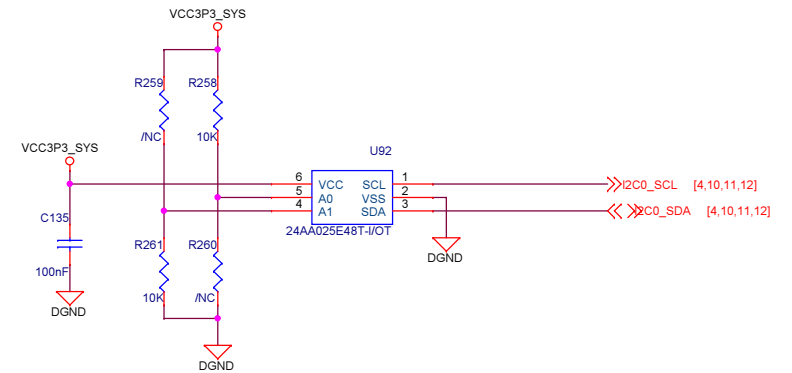
FRIENDLYARM

| | | |
|-----------------------------------|-----------------------------|-------------|
| Smart4418 | | |
| Size A3 | Document Number 10.Audio | Rev 1608 |
| Date: Friday, October 14, 2016 | Sheet 10 | of 12 |

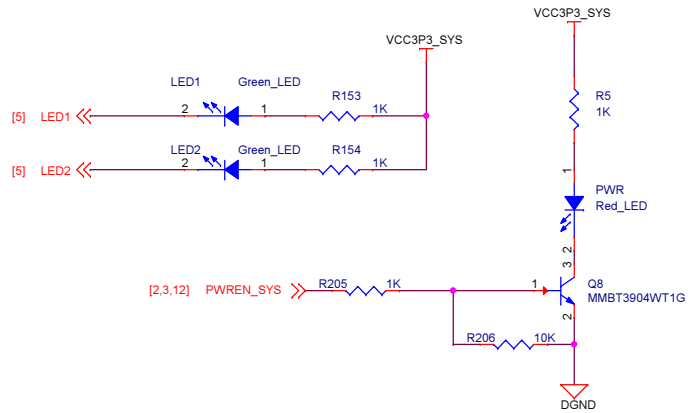
CryptoAuthentication



EEPROM with MAC Address

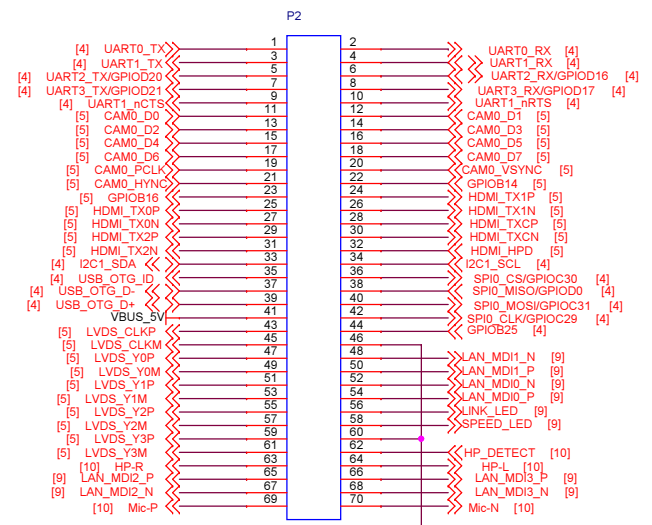
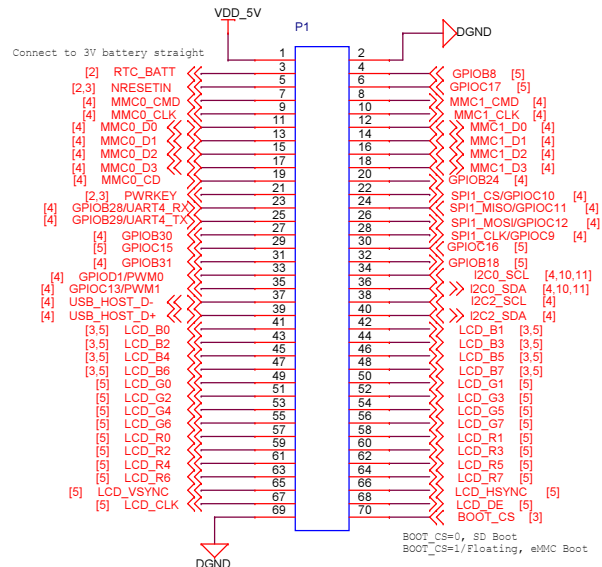


LEDs

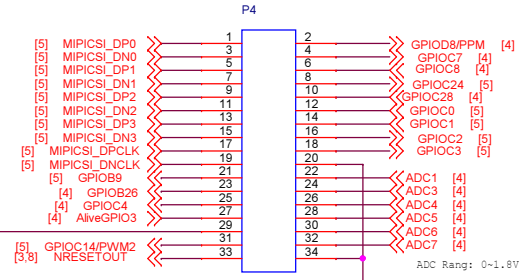
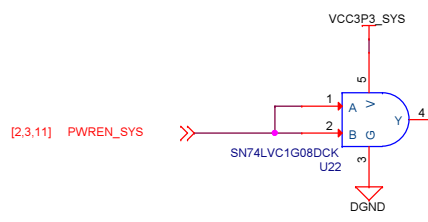
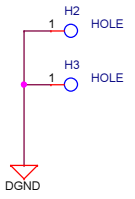


FRIENDLYARM

| | | |
|-----------------------------------|--------------------------------------|-------------|
| Smart4418 | | |
| Size A3 | Document Number 11.EEPROM_SHA-256 | Rev 1608 |
| Date: Friday, October 14, 2016 | Sheet 11 | of 12 |



Lan Signal:
10/100M: LAN_MD11_N/P=RX-/+, LAN_MD10_N/P=TX-/+,
1000M: LAN_MD10_N/P=LAN_MD13N/P



| | | |
|--------------------------------|------------------------------|----------|
| Smart4418 | | |
| Size A3 | Document Number 12.Connector | Rev 1608 |
| Date: Friday, October 14, 2016 | Sheet 12 of 12 | |