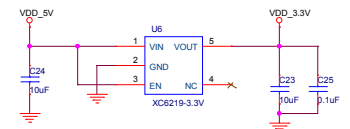
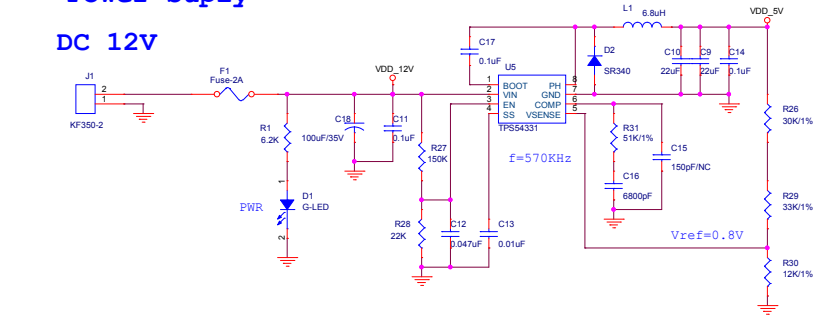
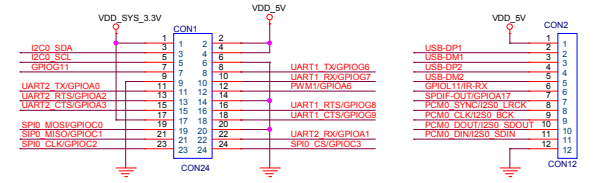


Power Supply

DC 12V



NEO Interface



16 Channel 12-Bit PWM
 I2C Address: 1[1 A4...A0][R/W]
 VDD: 2, 3-5, 5V
 IO: 5V Safe
 Output: 25mA Each/400mA Total

