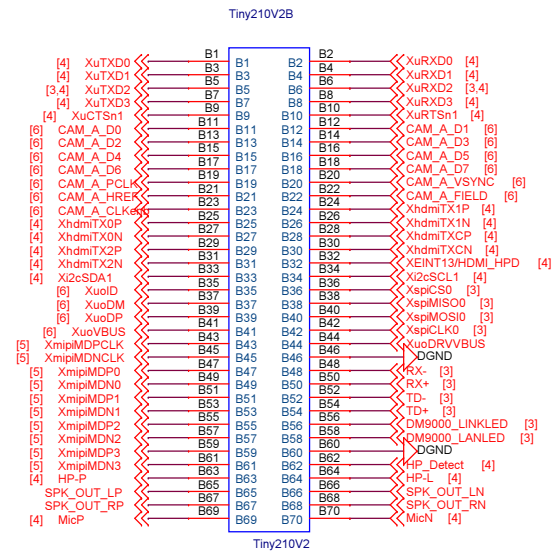
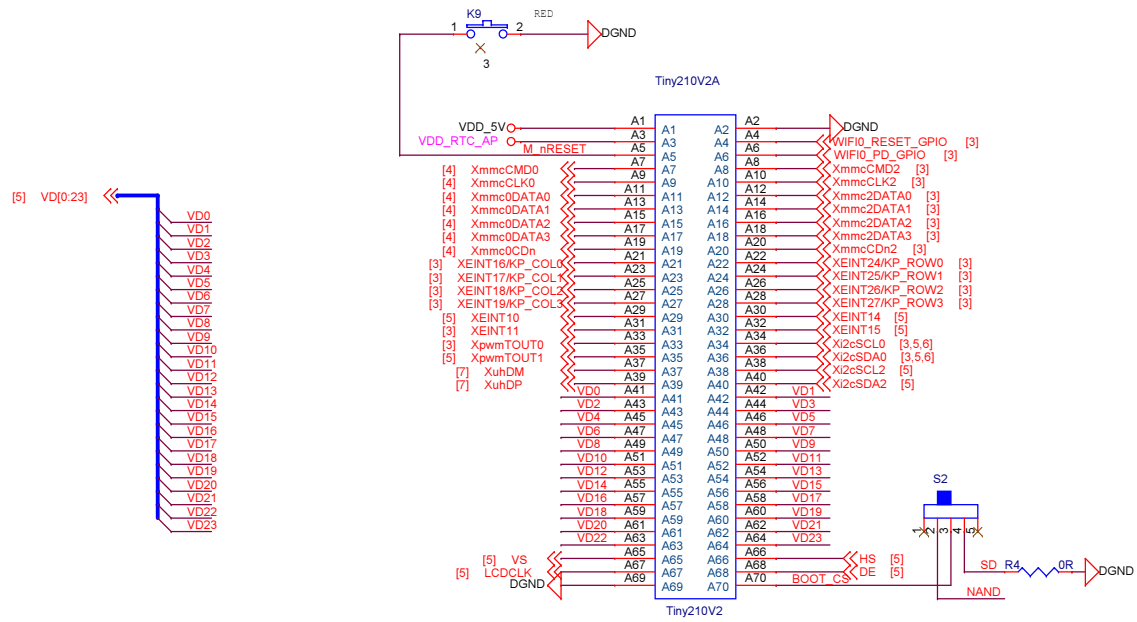


Smart210SDK(Tiny210V2SDK) 1305

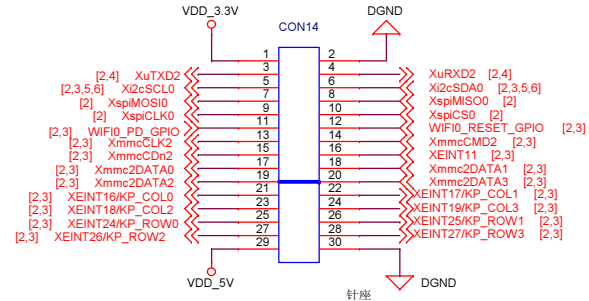
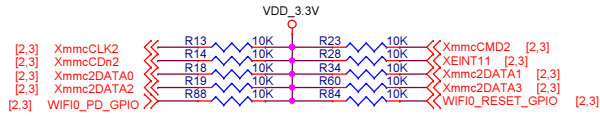
FriendlyARM <http://www.arm9.net>

Title		
<Title>		
Size	Document Number	Rev
A3	<Doc>	
Date:	Thursday, June 27, 2013	Sheet 1 of 9

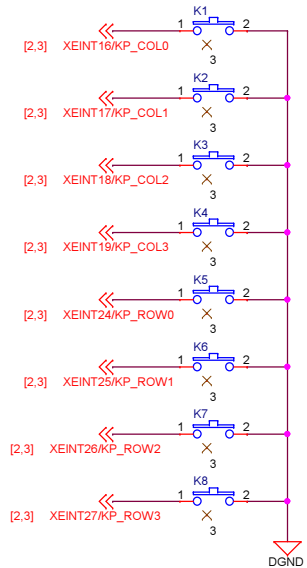
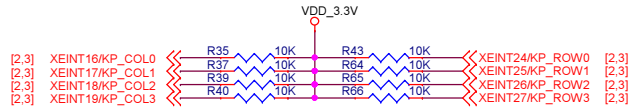


Title		
Size A3	Document Number	Rev
Date: Thursday, June 27, 2013	Sheet 2 of 9	

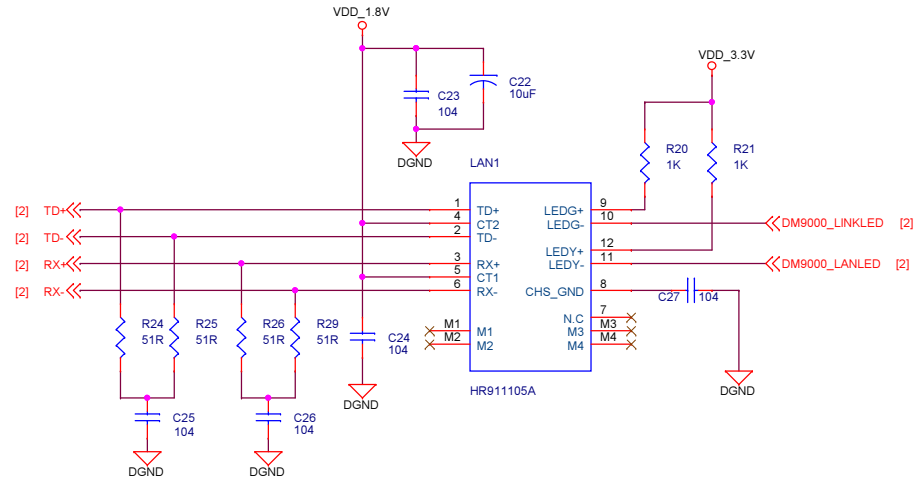
SDIO-GPIO



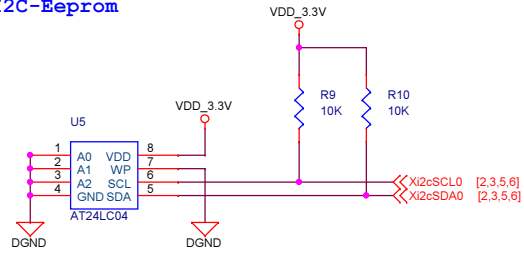
Buttons



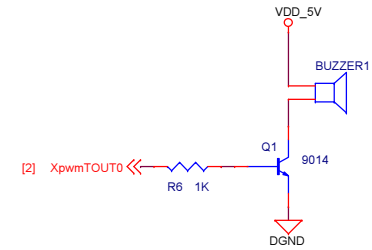
Ethernet



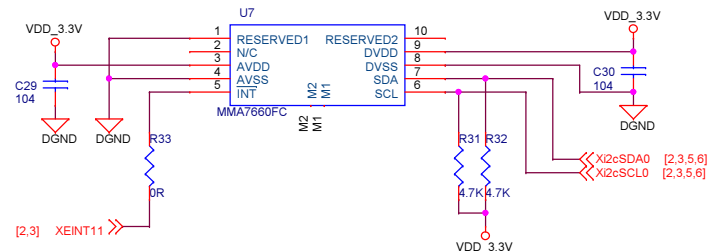
I2C-Eeprom



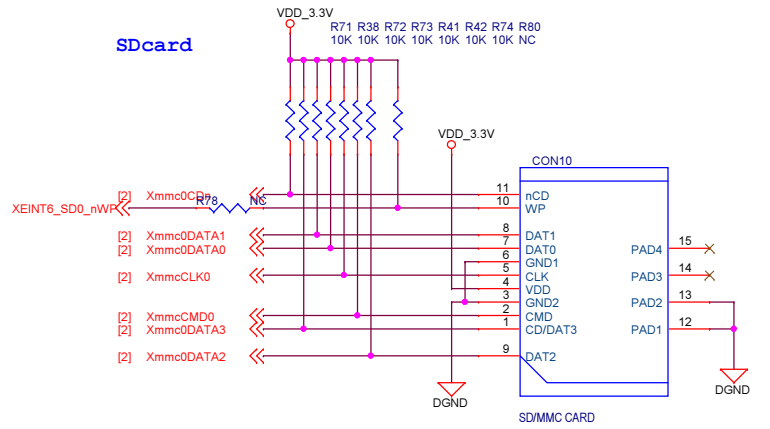
PWM Buzzer



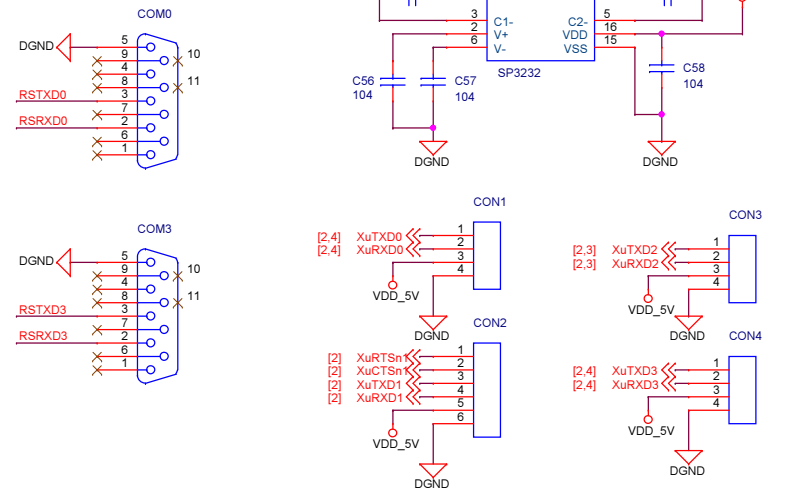
G-Sensor



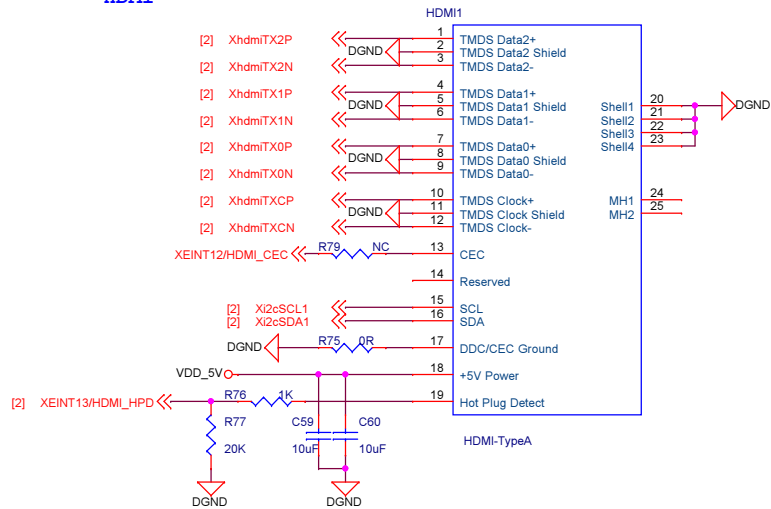
Title		
Size A3	Document Number	Rev
Date: Thursday, June 27, 2013	Sheet 3	of 9



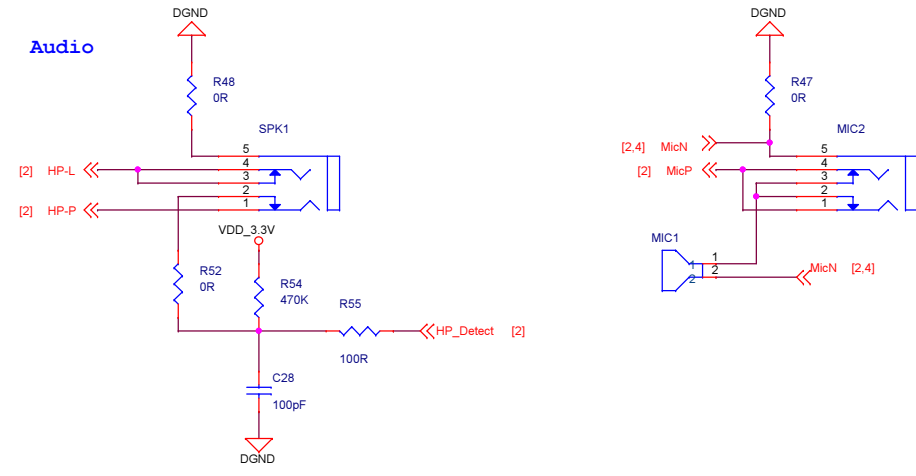
Uart



HDMI

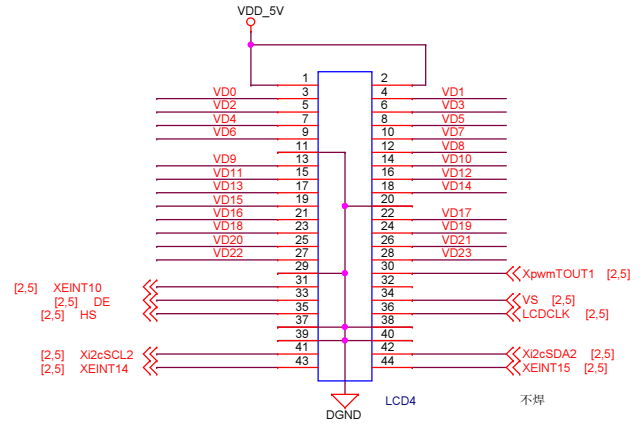
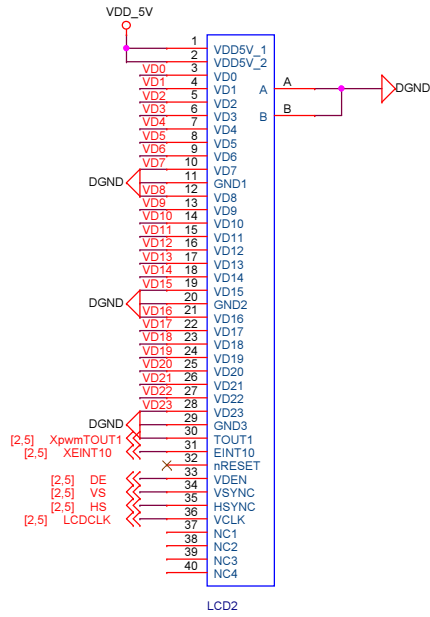
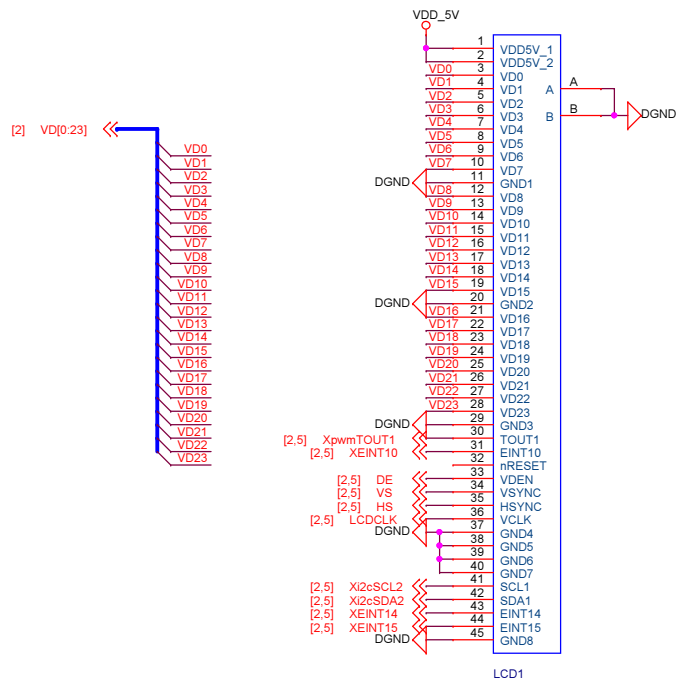


Audio

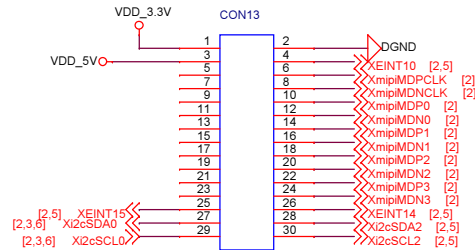


Title		
Size A3	Document Number	Rev
Date: Thursday, June 27, 2013	Sheet 4	of 9

LCDS

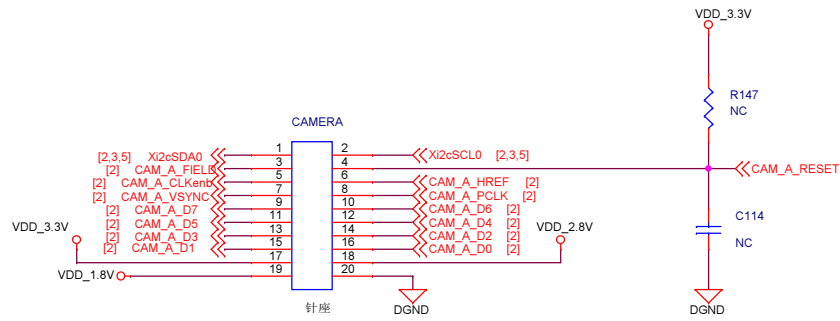


MIPI-DSI

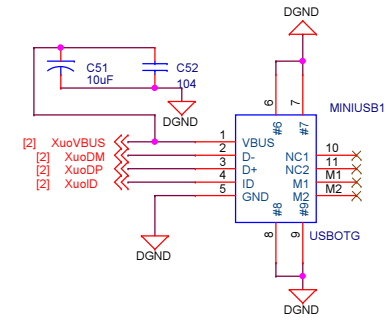


Title		
Size A3	Document Number	Rev
Date: Thursday, June 27, 2013	Sheet 5 of 9	

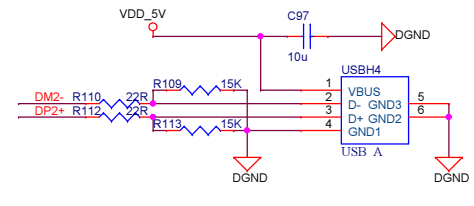
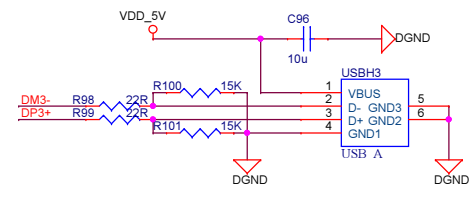
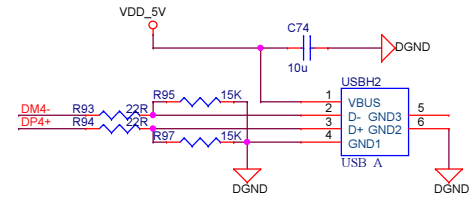
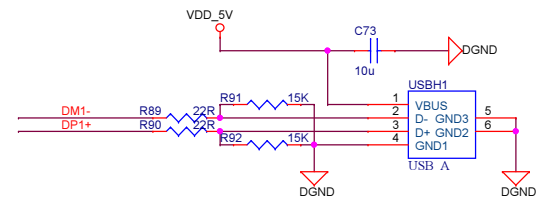
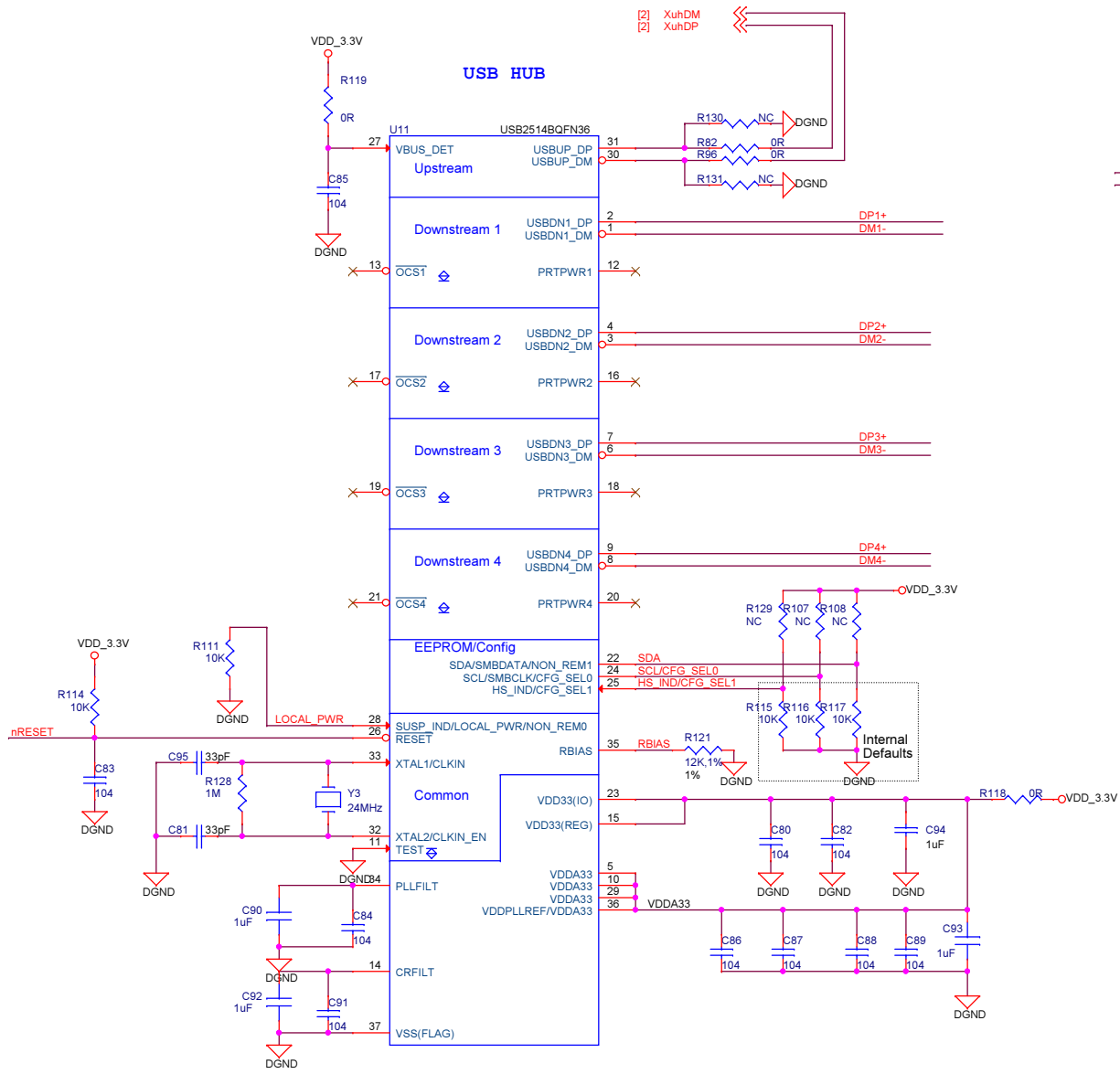
CAMERA IF



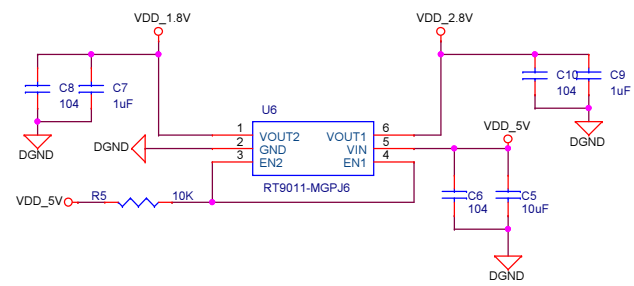
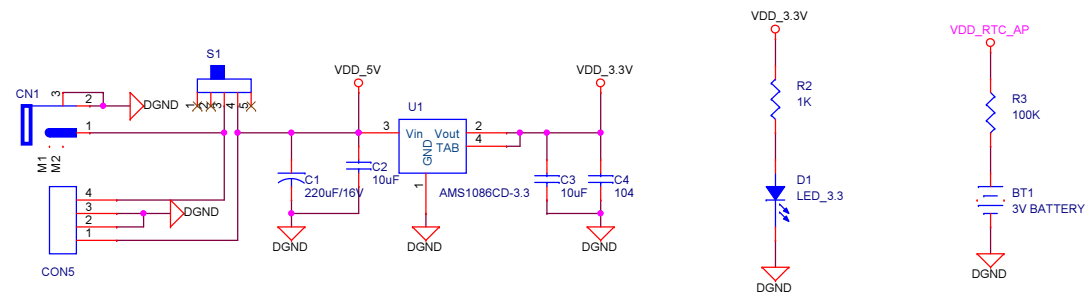
USB Slave



Title		
Size A3	Document Number	Rev
Date:	Thursday, June 27, 2013	Sheet 6 of 9

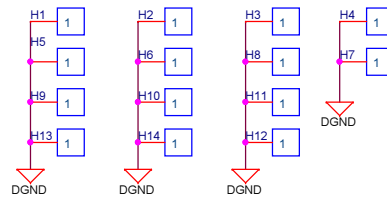


Title		<Title>
Size	Document Number	Rev
A3	<Doc>	2.0
Date:	Thursday, June 27, 2013	Sheet 7 of 9



Title		
Size A3	Document Number	Rev
Date: Thursday, June 27, 2013	Sheet 8 of 9	

HOLES



Title		
Size A3	Document Number	Rev
Date:	Thursday, June 27, 2013	Sheet 9 of 9