

NanoPi NEO

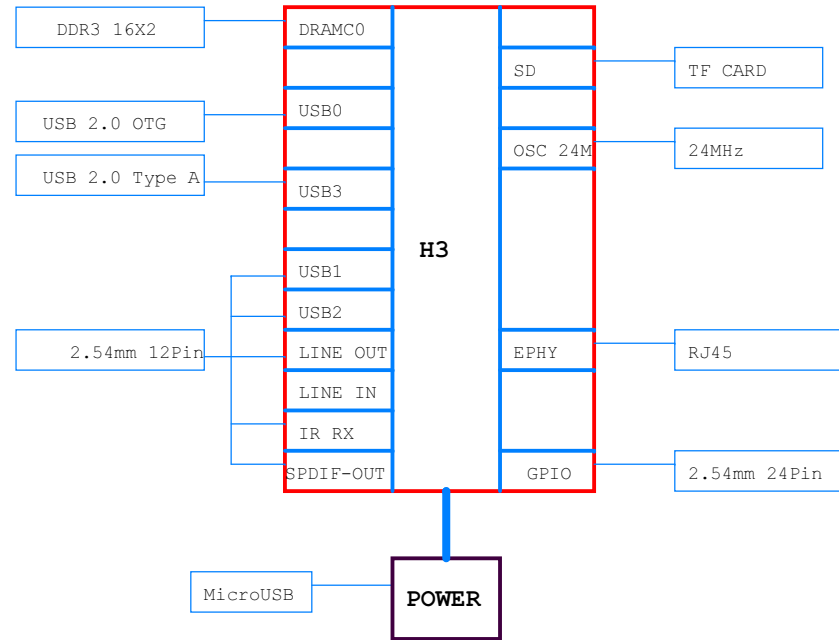
Revision

1606 , First Release
V1.1 1607, Replace MIC&LINEOUT with I2S/PCM on CON2
V1.2 1608, Use DC/DC (U7) for VDD1V2-SYS

FRIENDLYARM

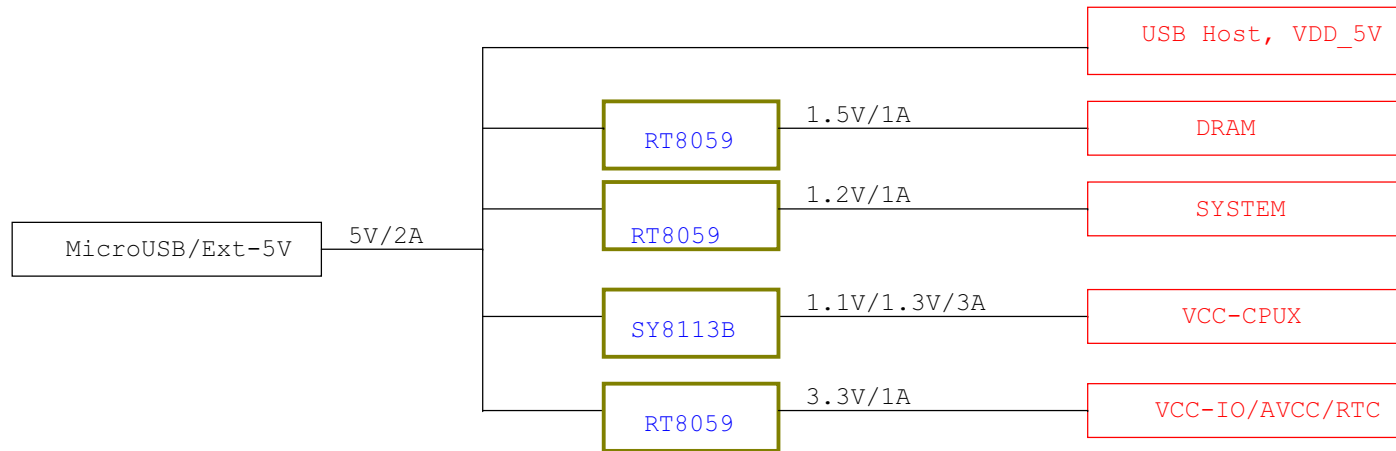
NanoPi NEO		
Size A3	Document Number 01:Title	Rev V1.2 1608
Date:	Tuesday, October 25, 2016	Sheet 1 of 11

BLOCK



FRIENDLYARM

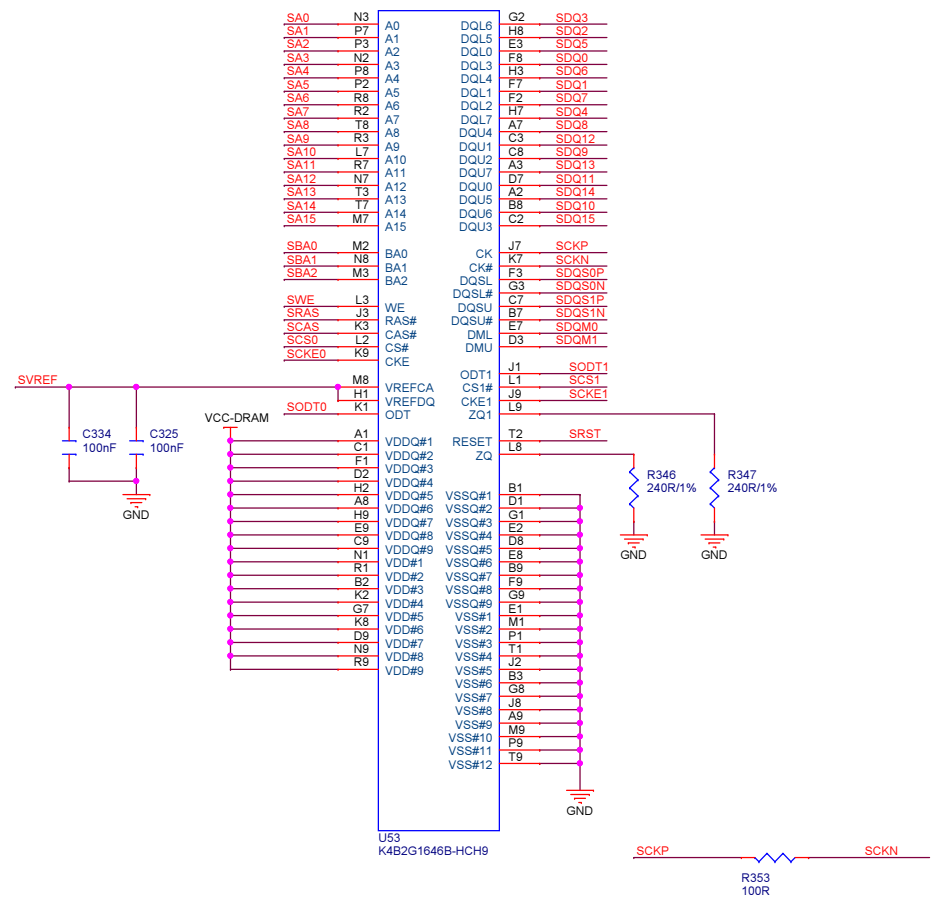
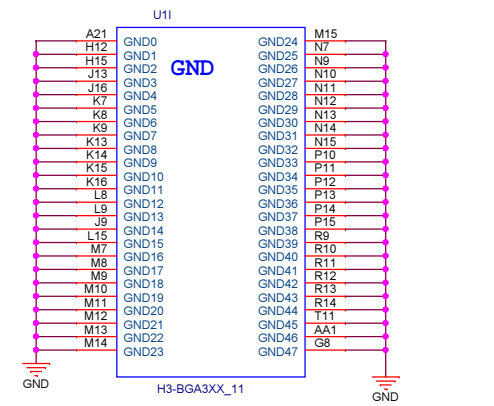
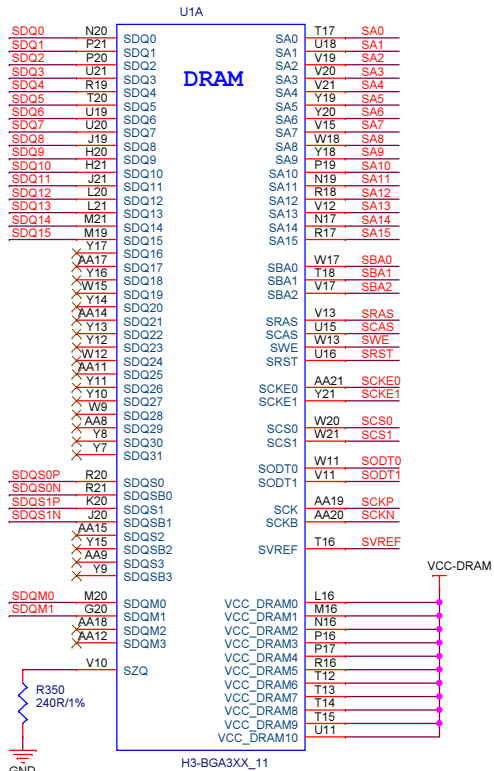
POWER TREE



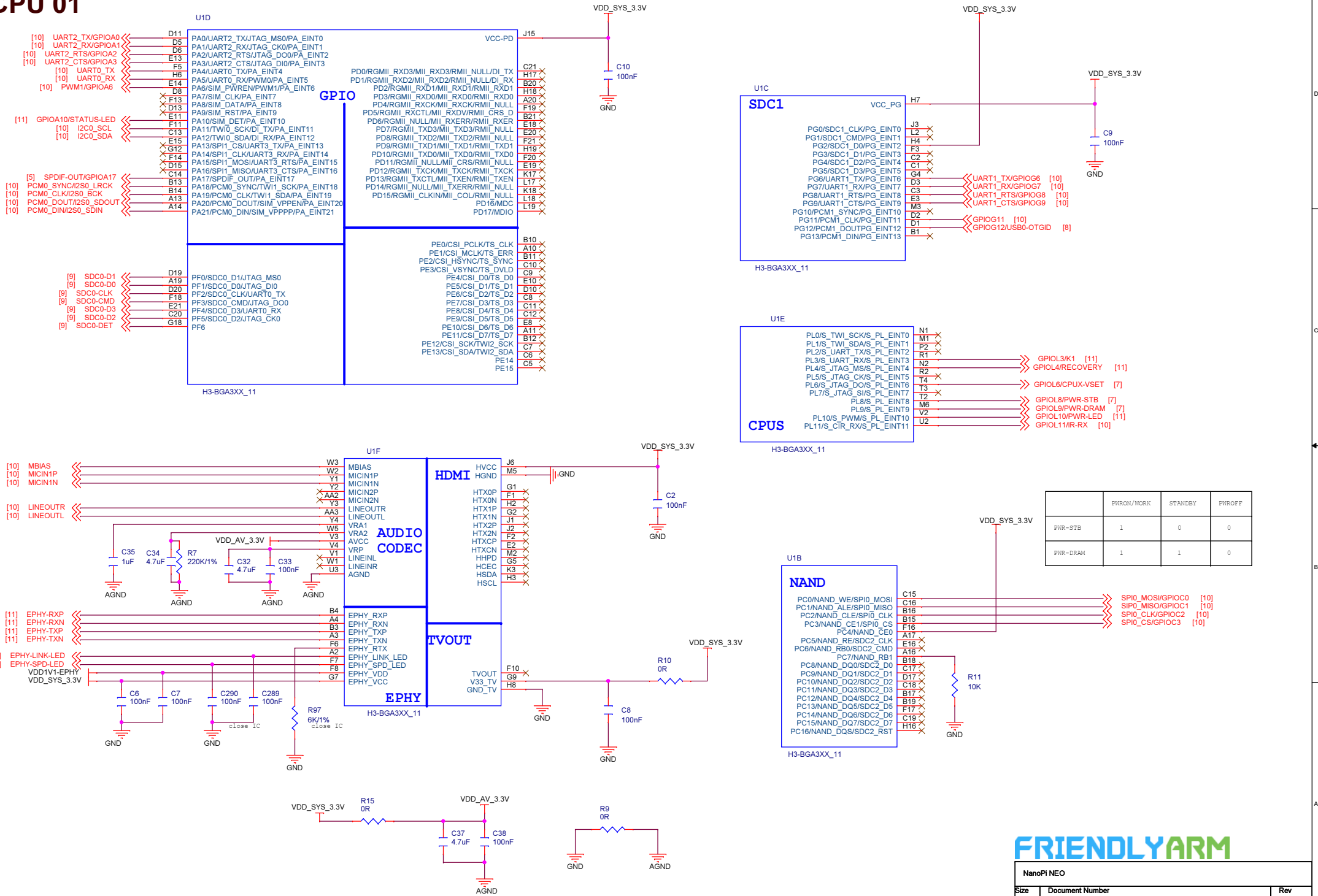
FRIENDLYARM

NanoPi NEO		
Size A3	Document Number 03:Power Tree	Rev V1.2 1606
Date:	Tuesday, October 25, 2016	Sheet 3 of 11

DDR3 16x1



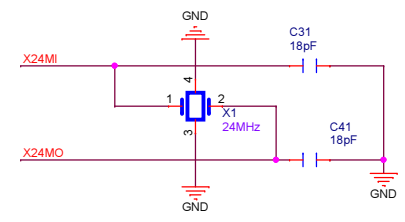
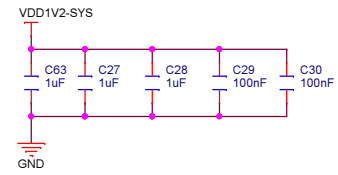
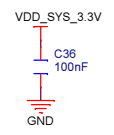
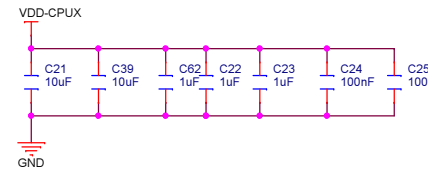
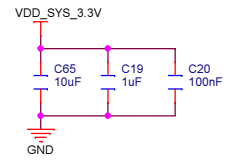
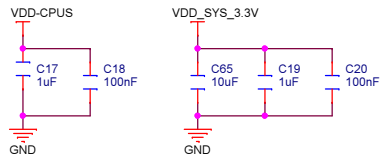
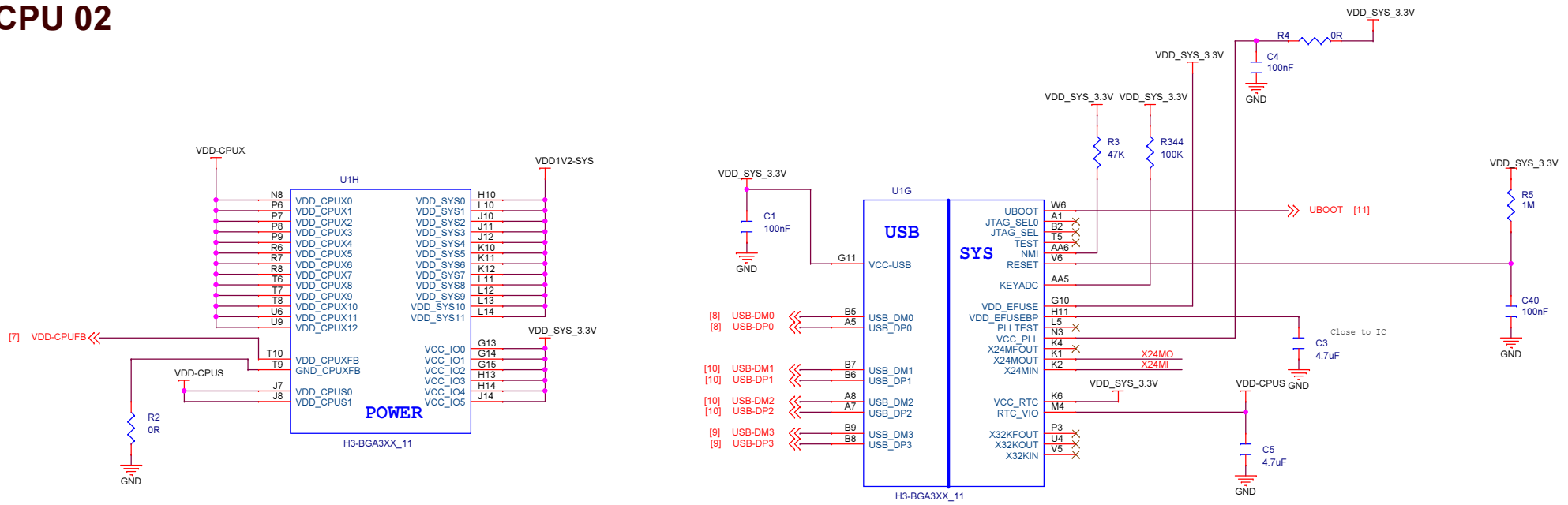
CPU 01



	PWRON/WORK	STANDBY	PWROFF
PWR-STB	1	0	0
PWR-DRAM	1	1	0

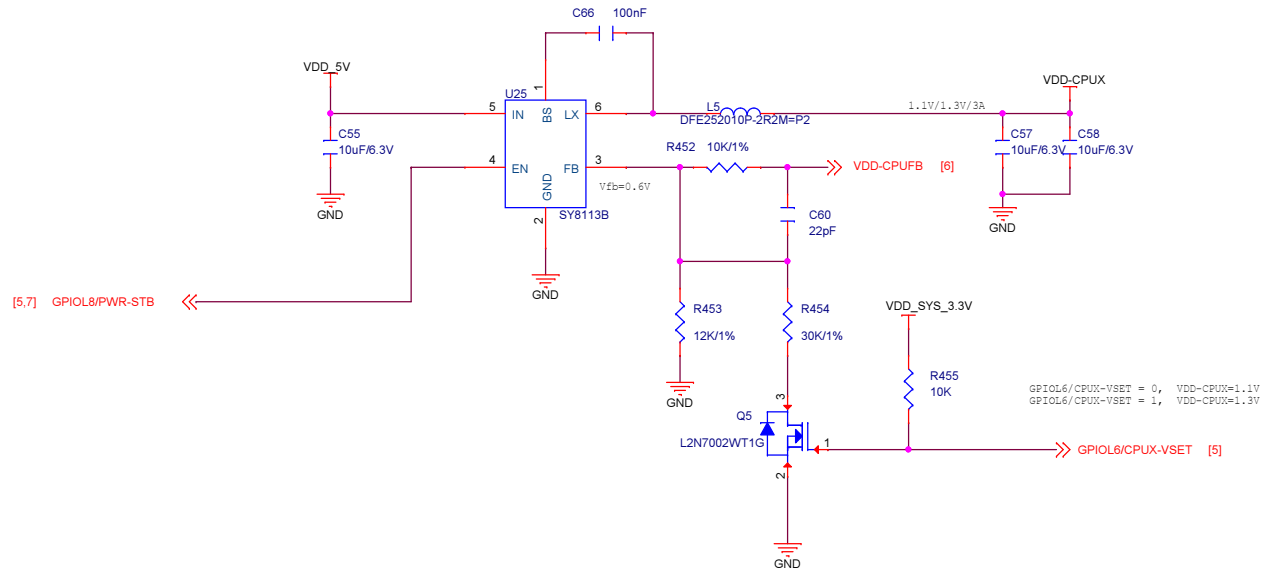
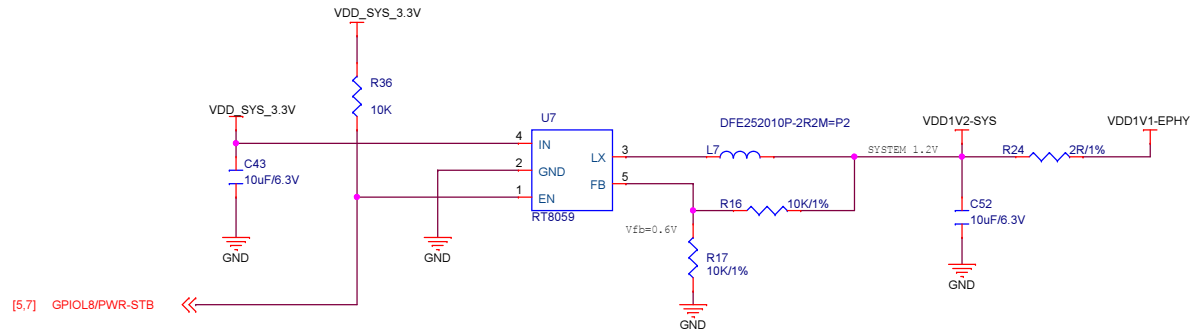
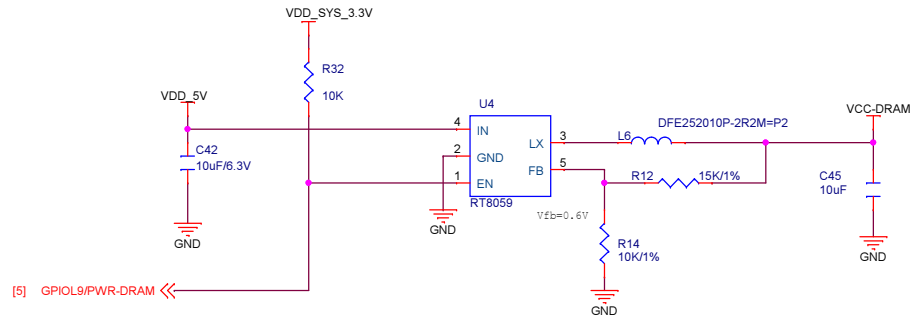


CPU 02



NanoPi NEO		
Size A3	Document Number 06:CPU-H3-02	Rev V1.2 1606
Date: Tuesday, October 25, 2016	Sheet 6	of 11

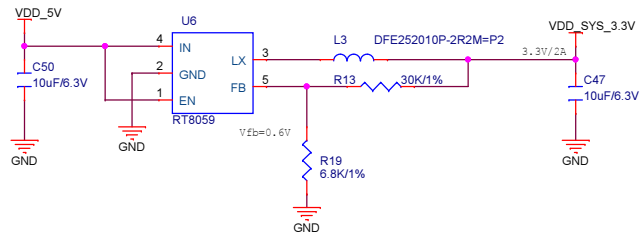
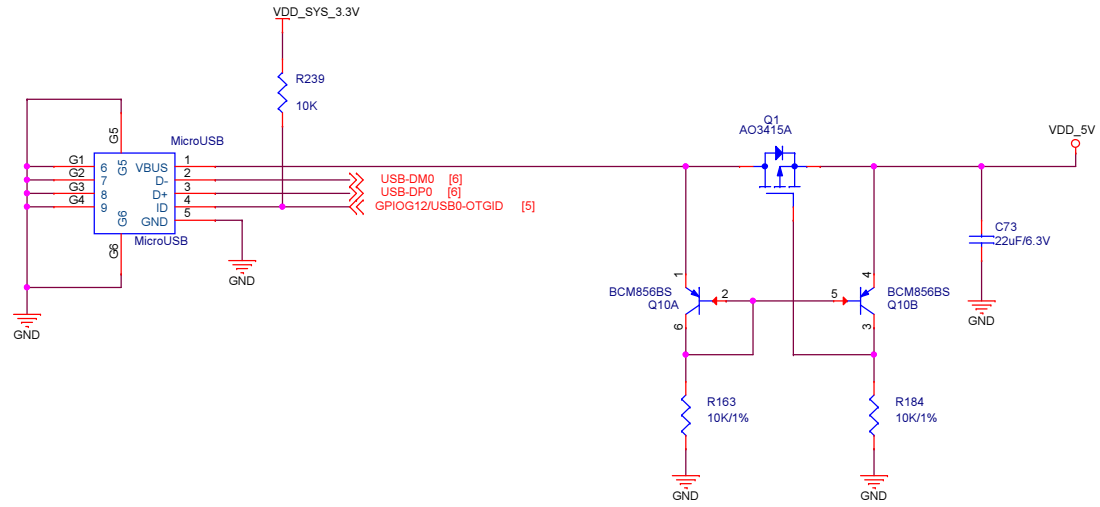
POWER 01



FRIENDLYARM

NanoPi NEO		
Size A3	Document Number 07-Power-01	Rev V1.2 1606
Date: Tuesday, October 25, 2016	Sheet 7 of 11	

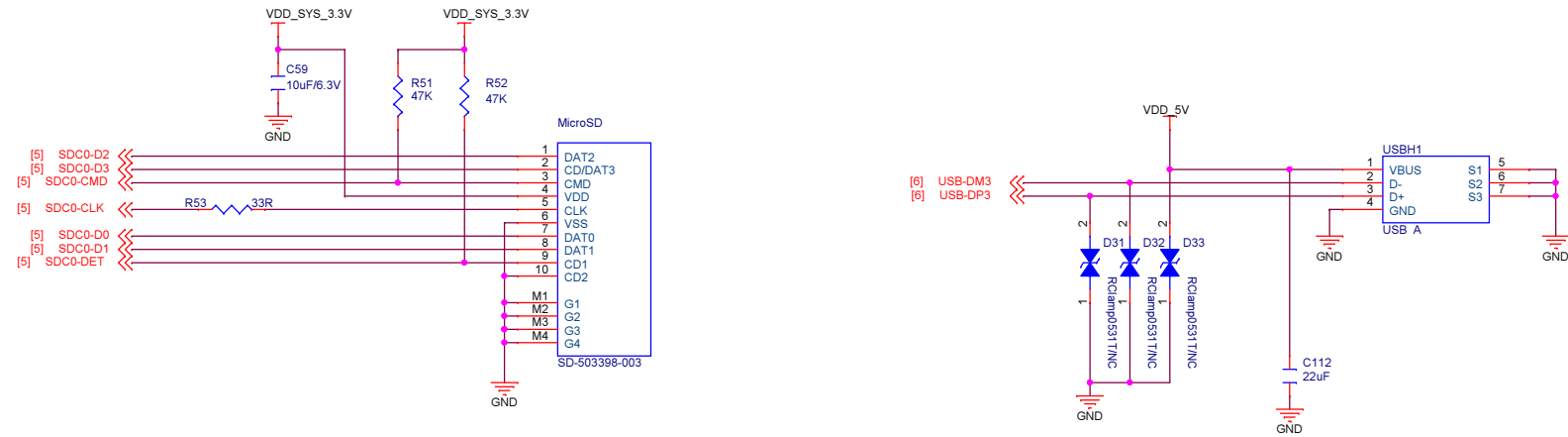
POWER 02



FRIENDLYARM

NanoPi NEO		
Size A3	Document Number 08:Power-02	Rev V1.2 1608
Date:	Tuesday, October 25, 2016	Sheet 8 of 11

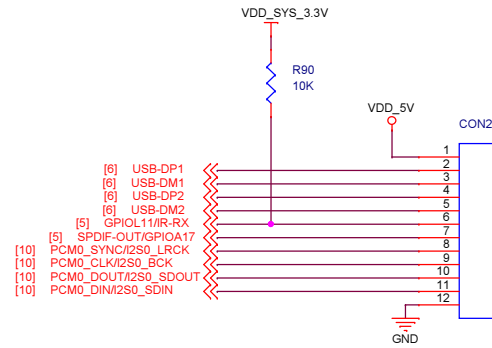
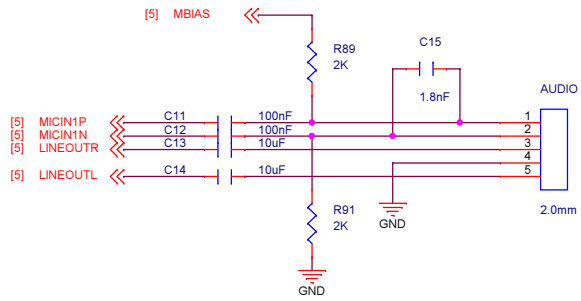
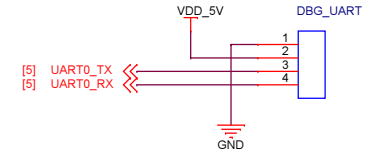
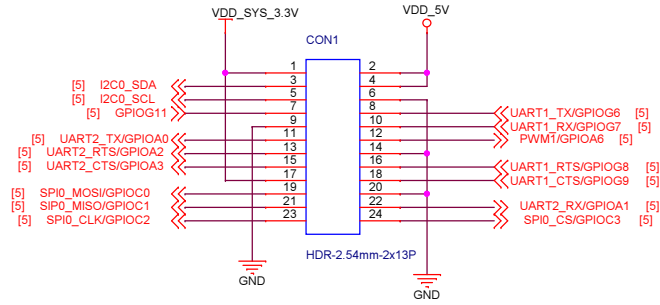
TF,USB Host



FRIENDLYARM

NanoPi NEO		
Size	Document Number	Rev
A3	09:Card,USB Host, AV	V1.2 1606
Date:	Tuesday, October 25, 2016	Sheet 9 of 11

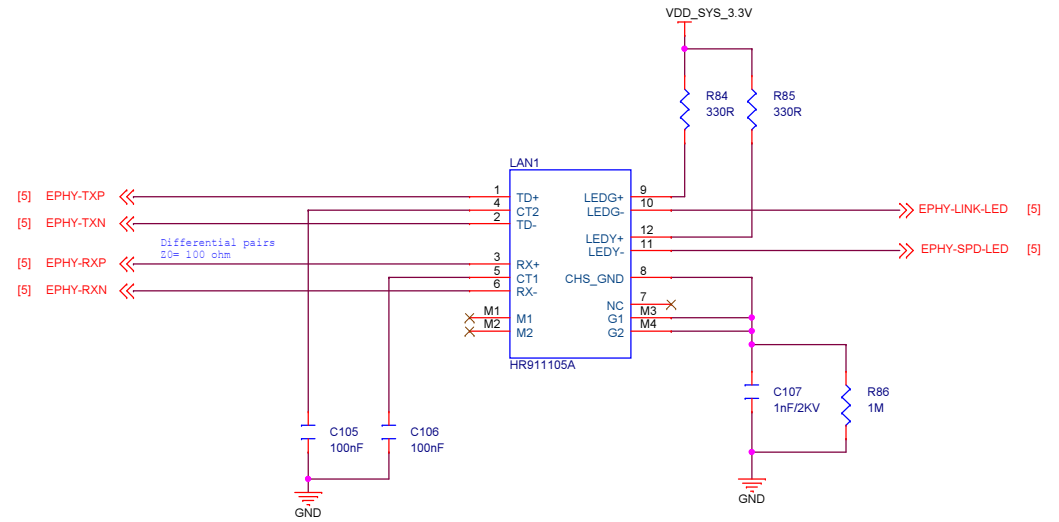
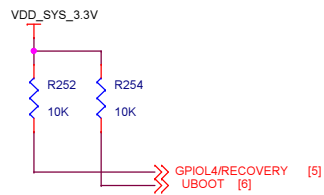
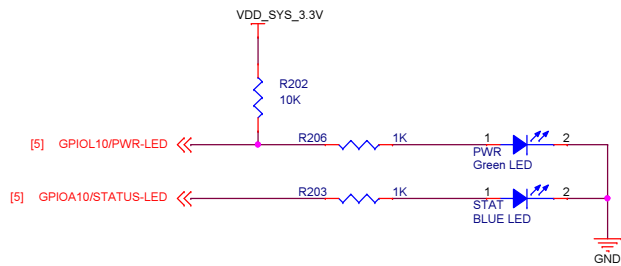
GPIO



FRIENDLYARM

NanoPi NEO		
Size	Document Number	Rev
A3	11:GPIO, CAM, IR	V1.2 1606
Date:	Tuesday, October 25, 2016	Sheet 10 of 11

LEDs, LAN, Keys



FRIENDLYARM

NanoPi NEO		
Size A3	Document Number 12:LEDs, LAN, Keys	Rev V1.2 1606
Date: Tuesday, October 25, 2016	Sheet 11	of 11