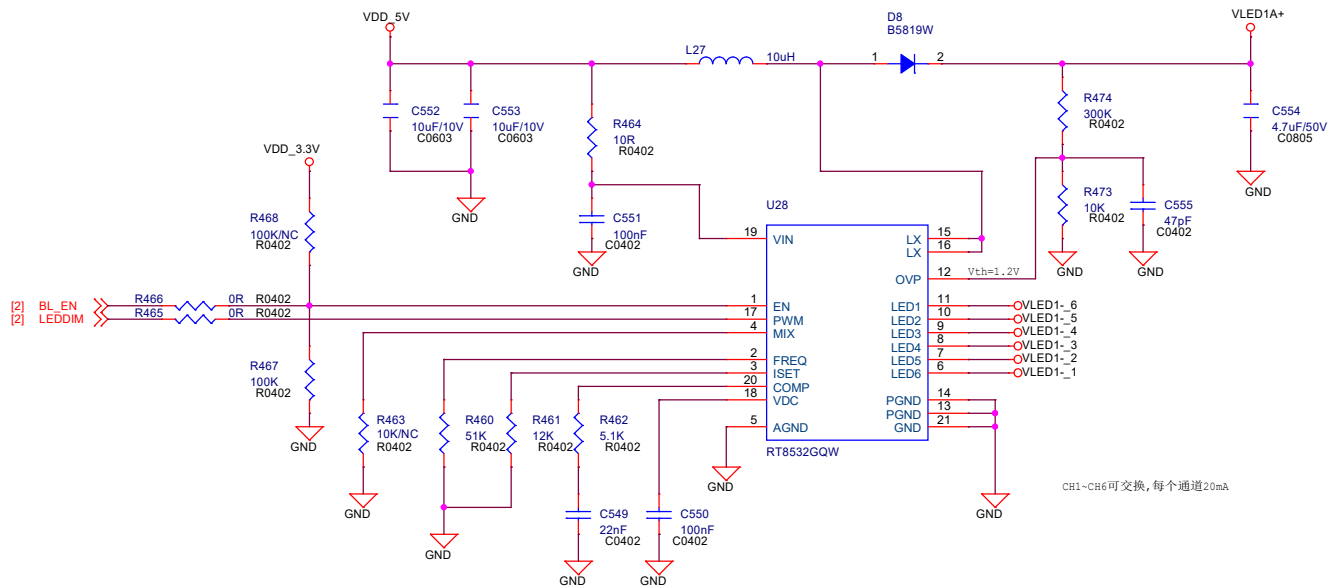
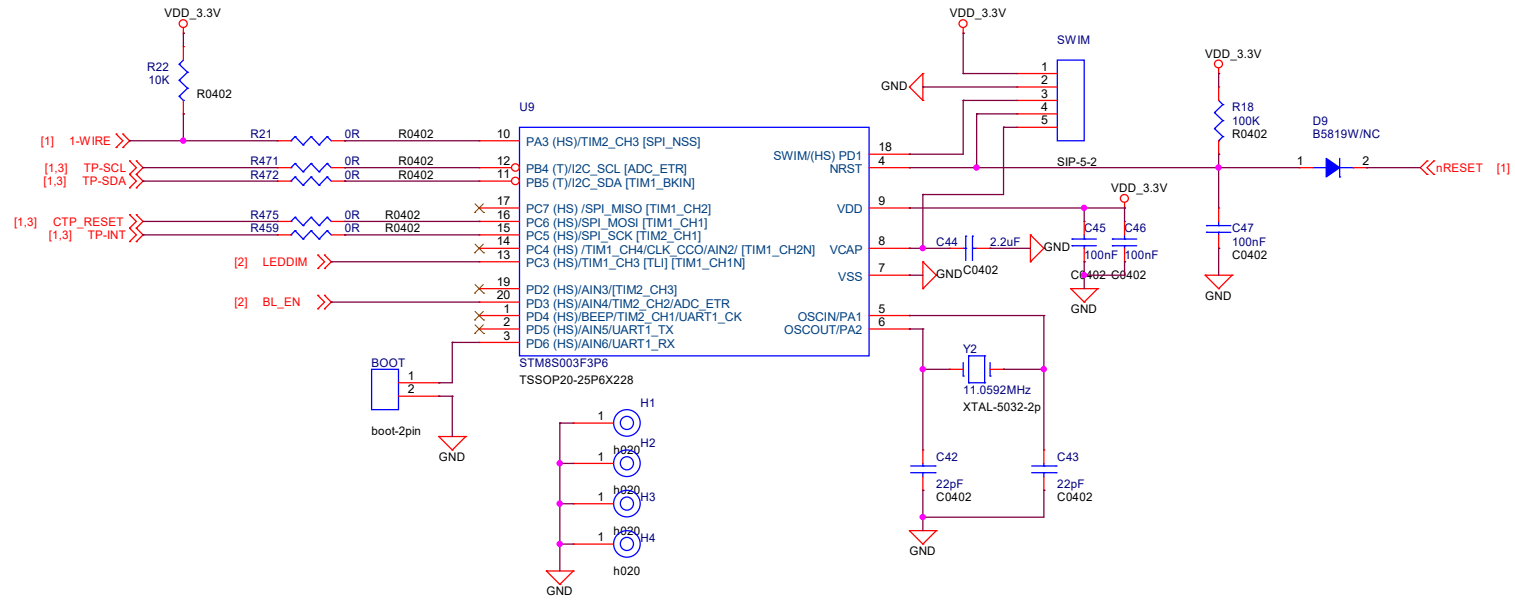


Title		
FriendlyELEC LCD-HD101B V1.2		
Size	Document Number	Rev
A3	<Doc>	1809
Date:	Wednesday, March 04, 2020	Sheet 1 of 3



CH1~CH6可交换, 每个通道20mA



<Title>		
Size A3	Document Number <Doc>	Rev <RevCode>
Date: Wednesday, March 04, 2020	Sheet 2 of 3	

