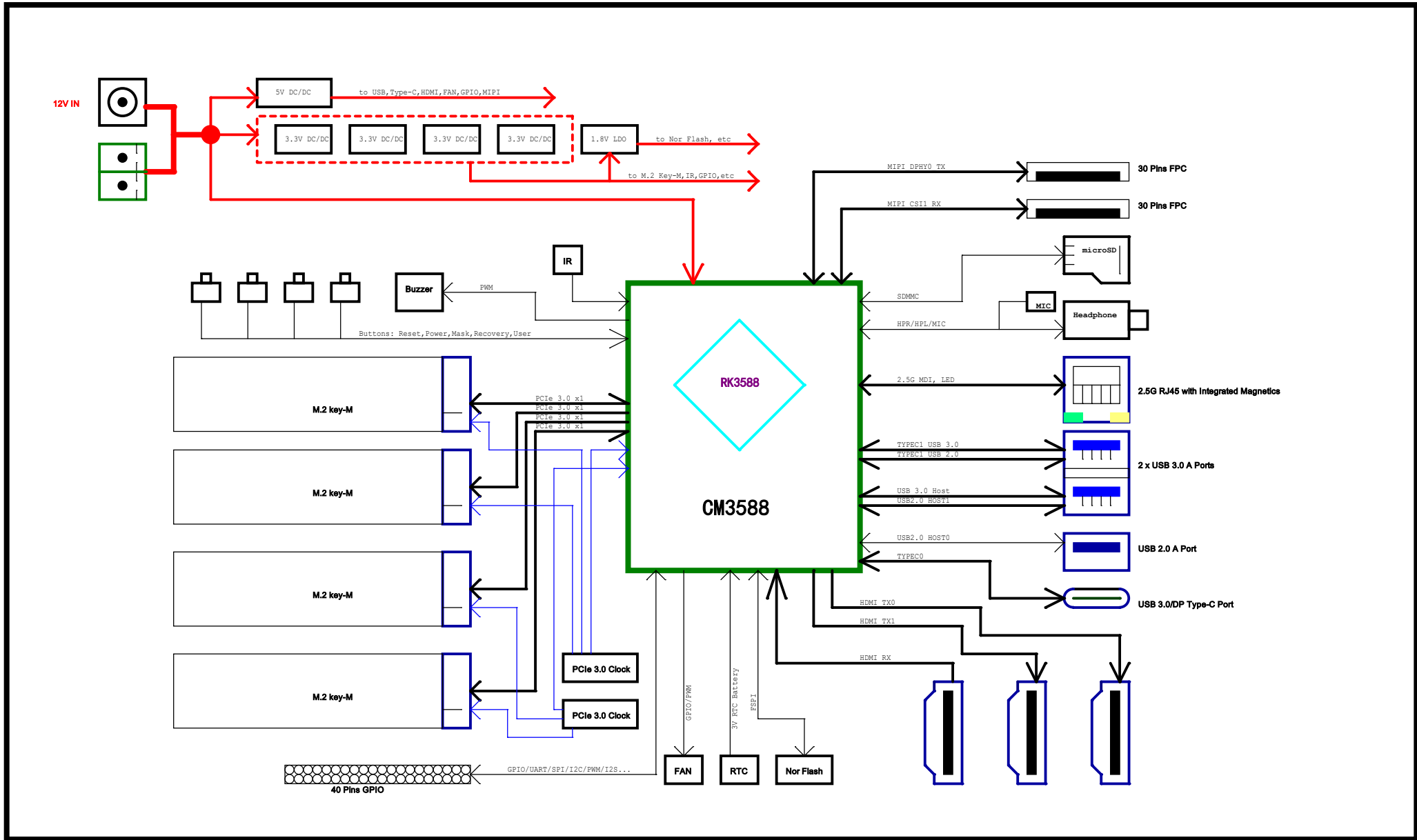
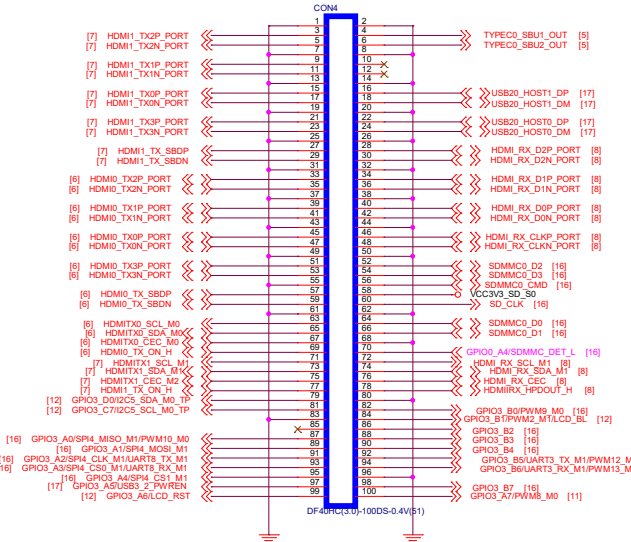
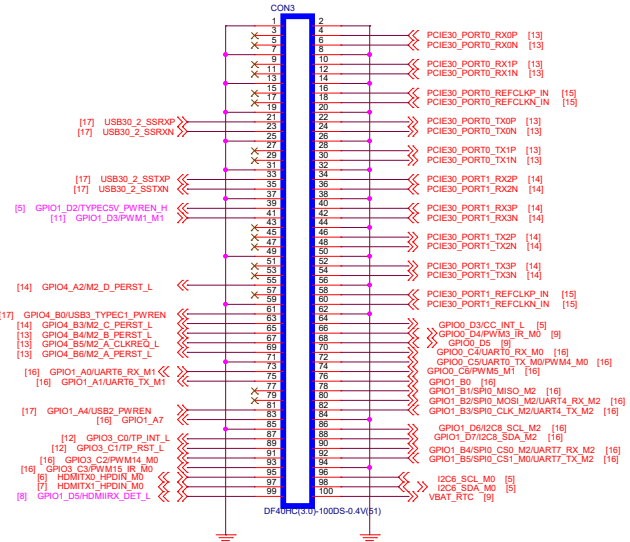
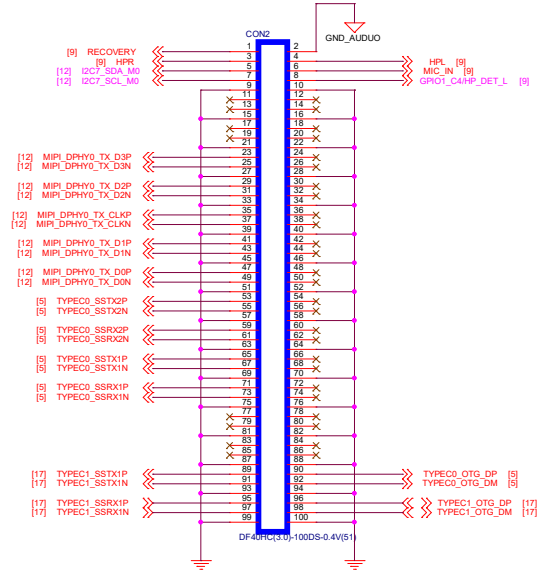
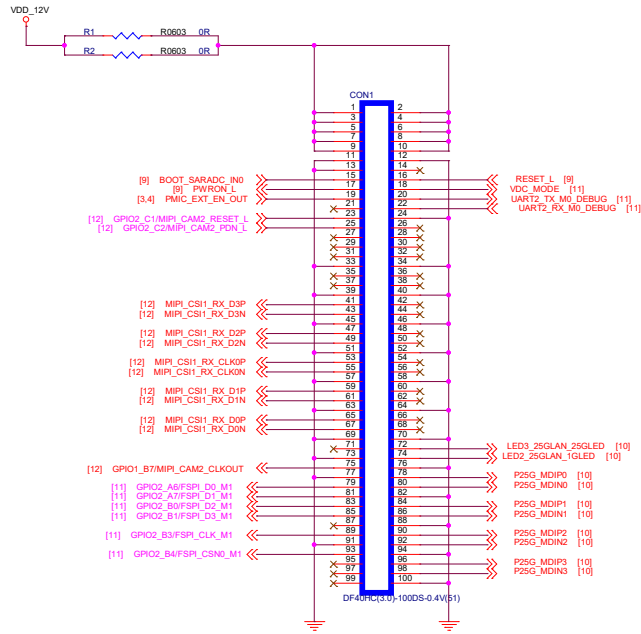
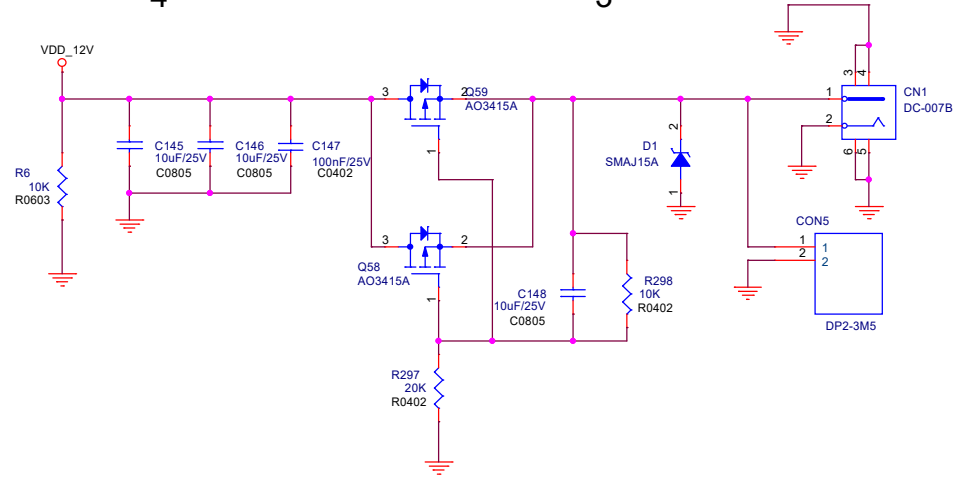


CM3588 NAS SDK

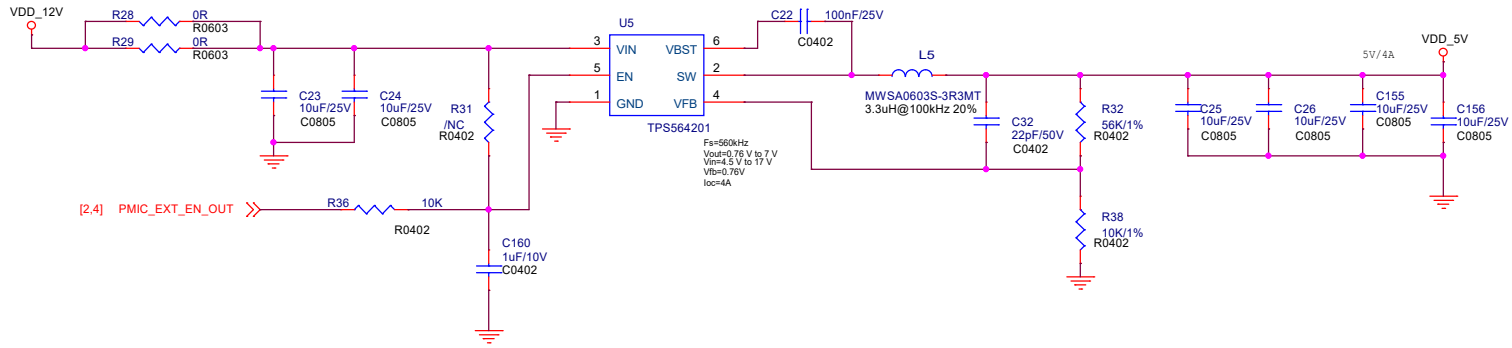




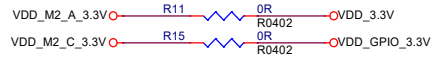
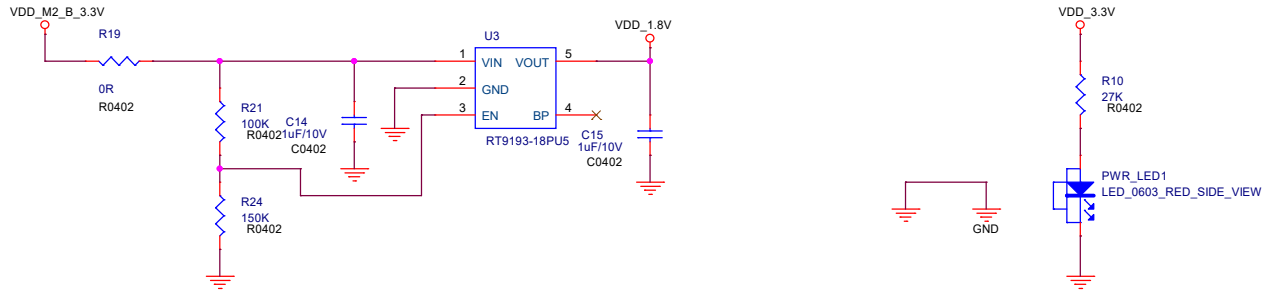
12V Input



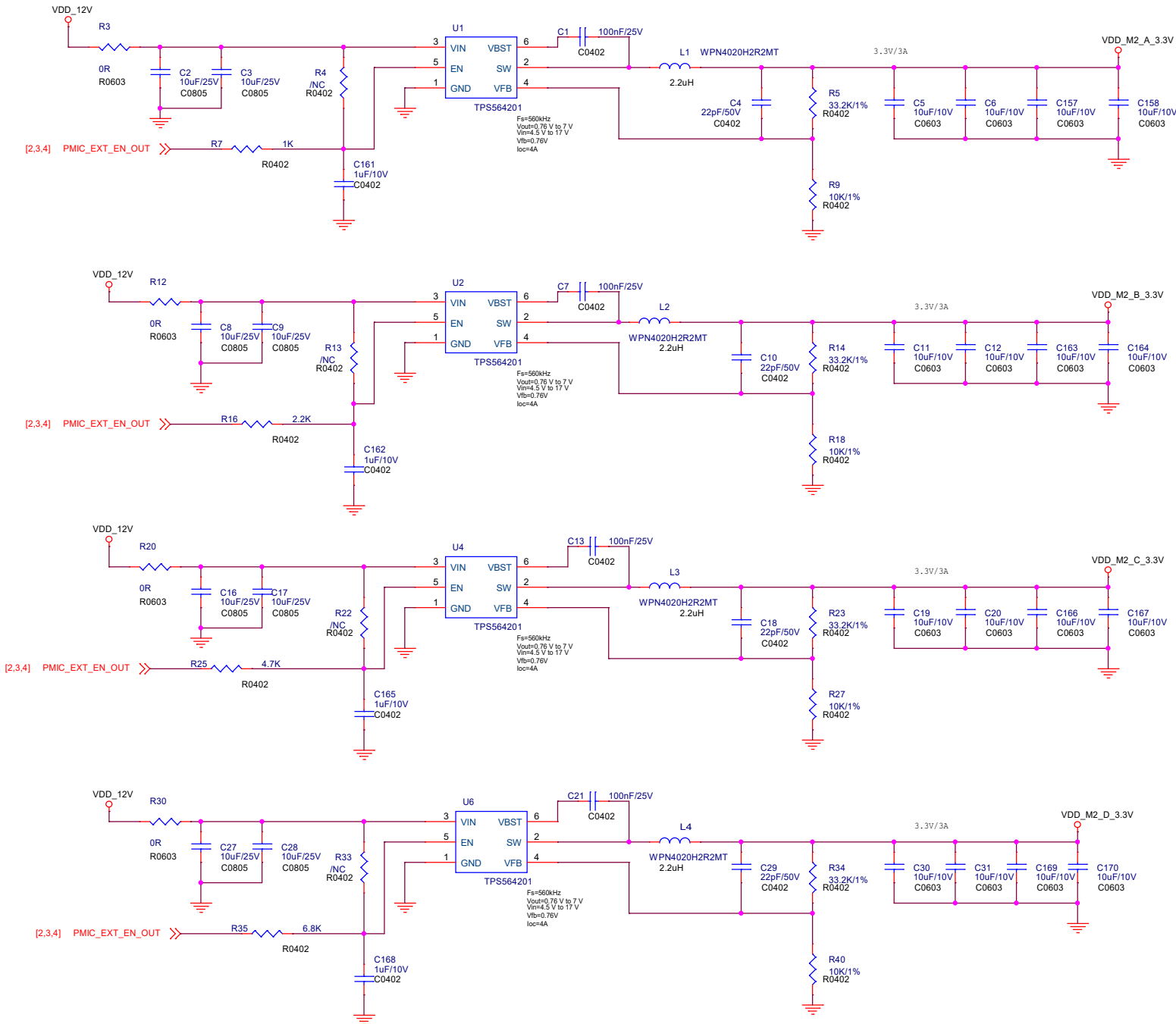
12V to 5V



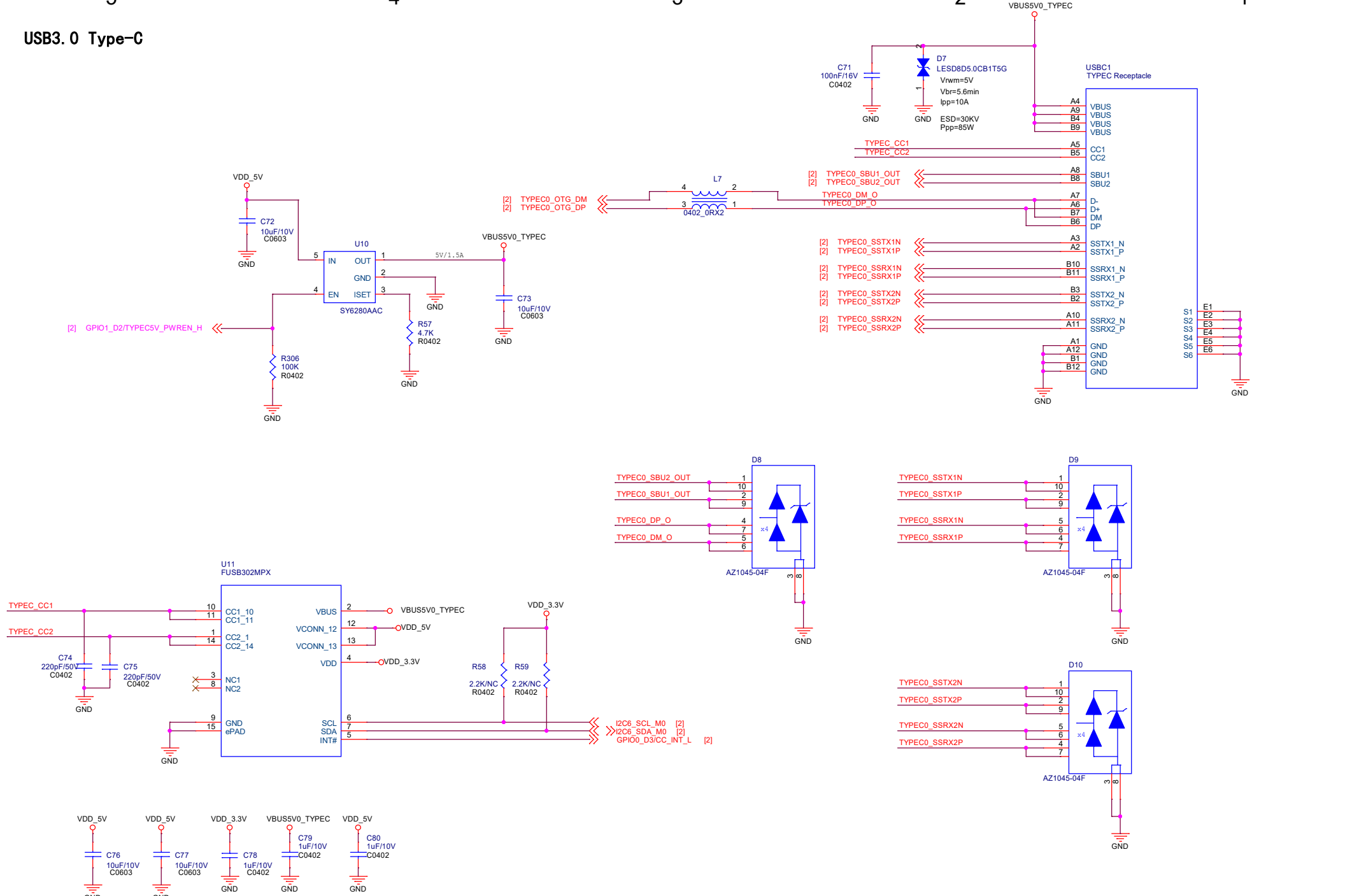
3.3V, 1.8V



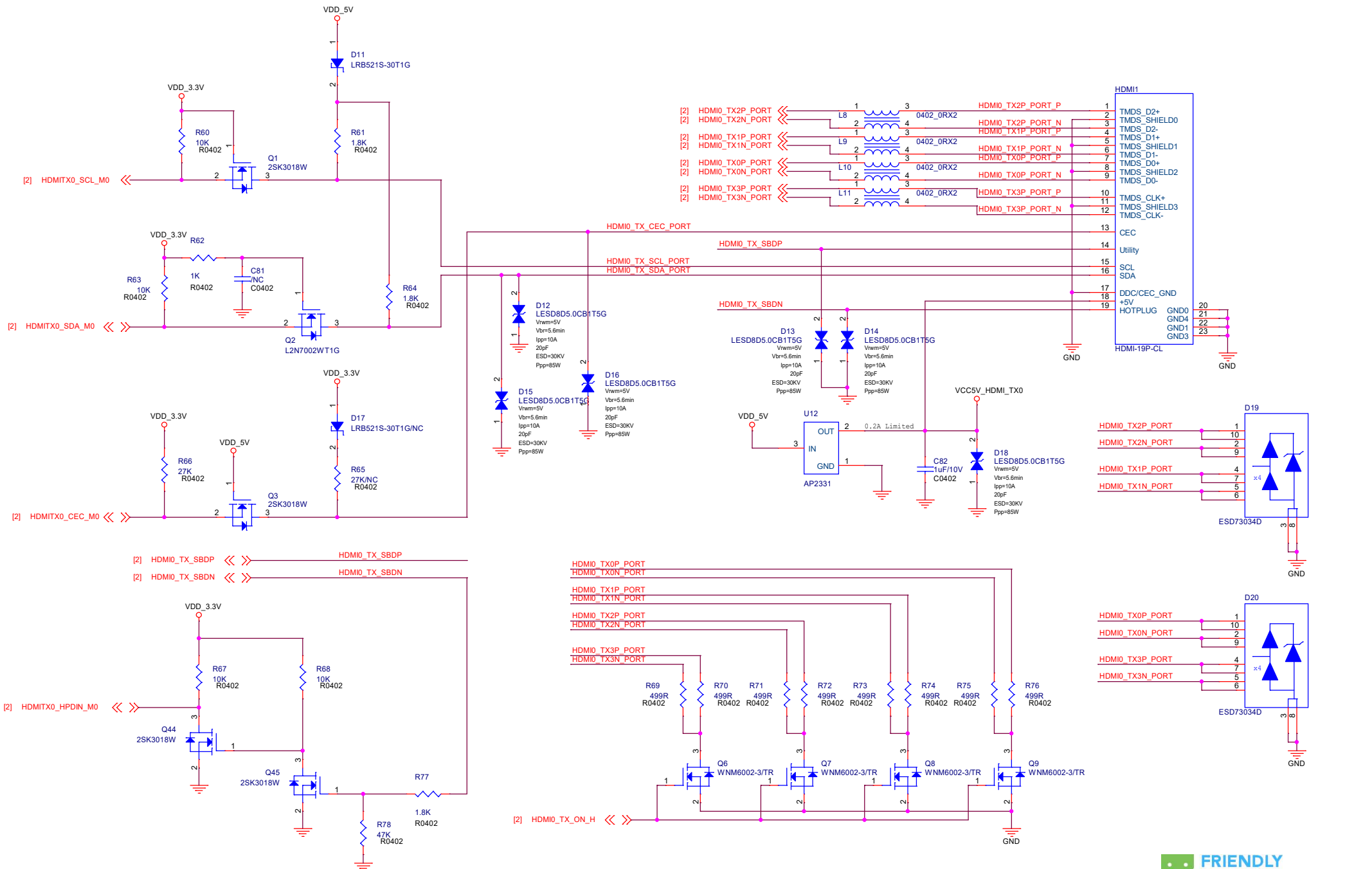
3.3V for Key-M M.2 Socket



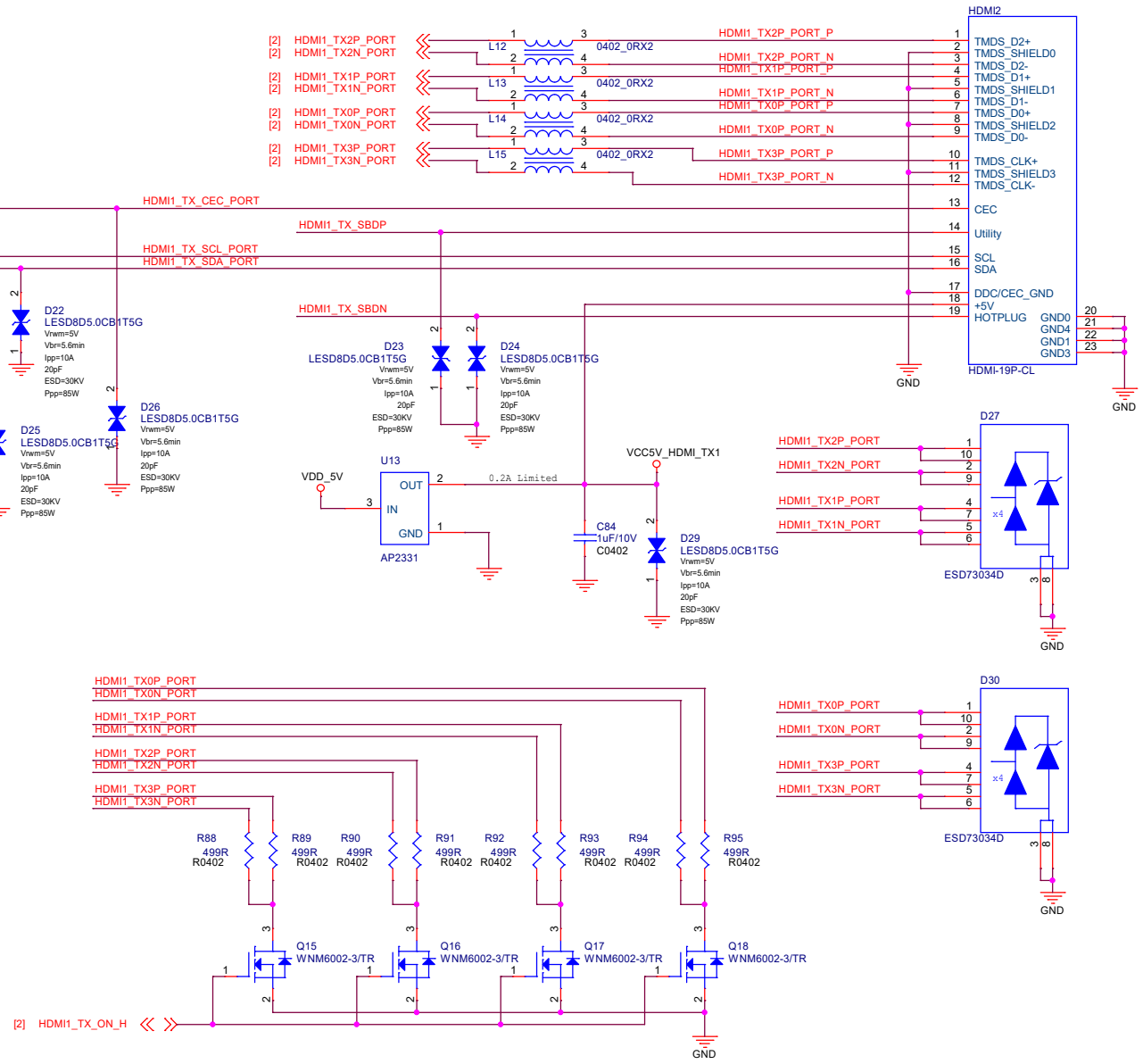
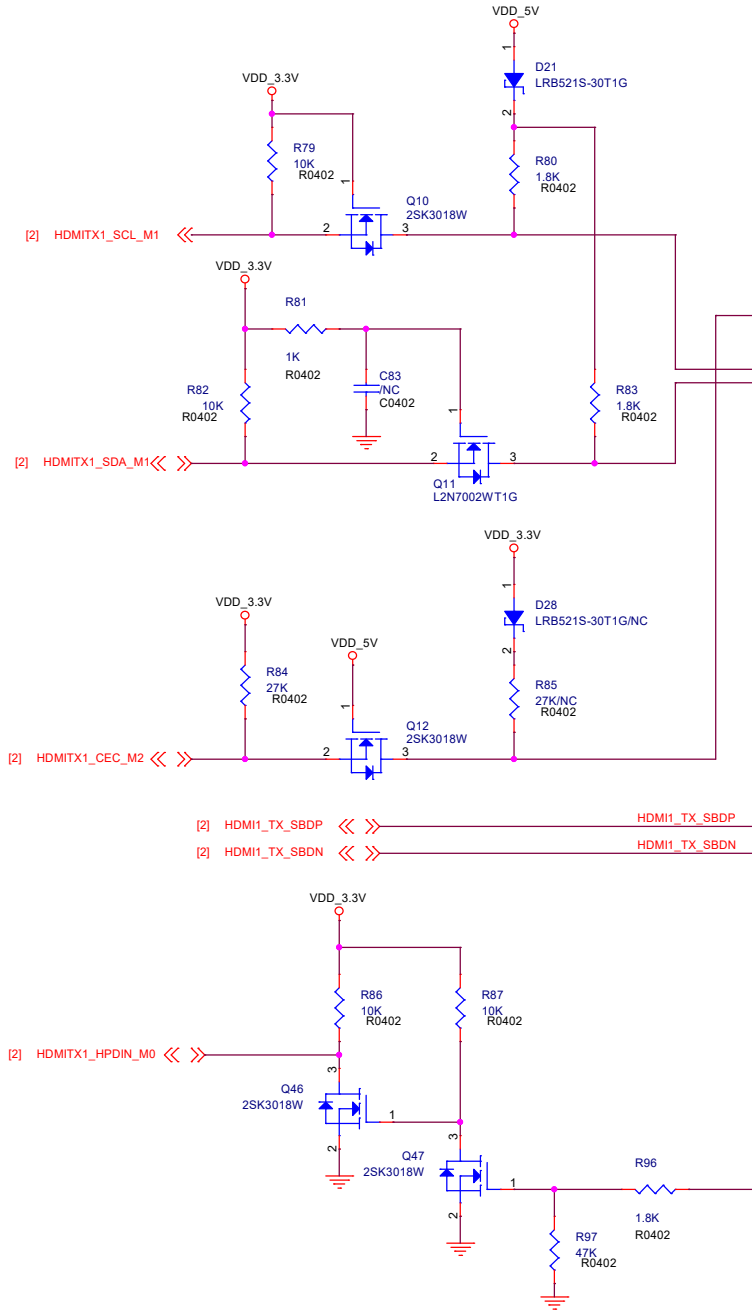
USB3.0 Type-C



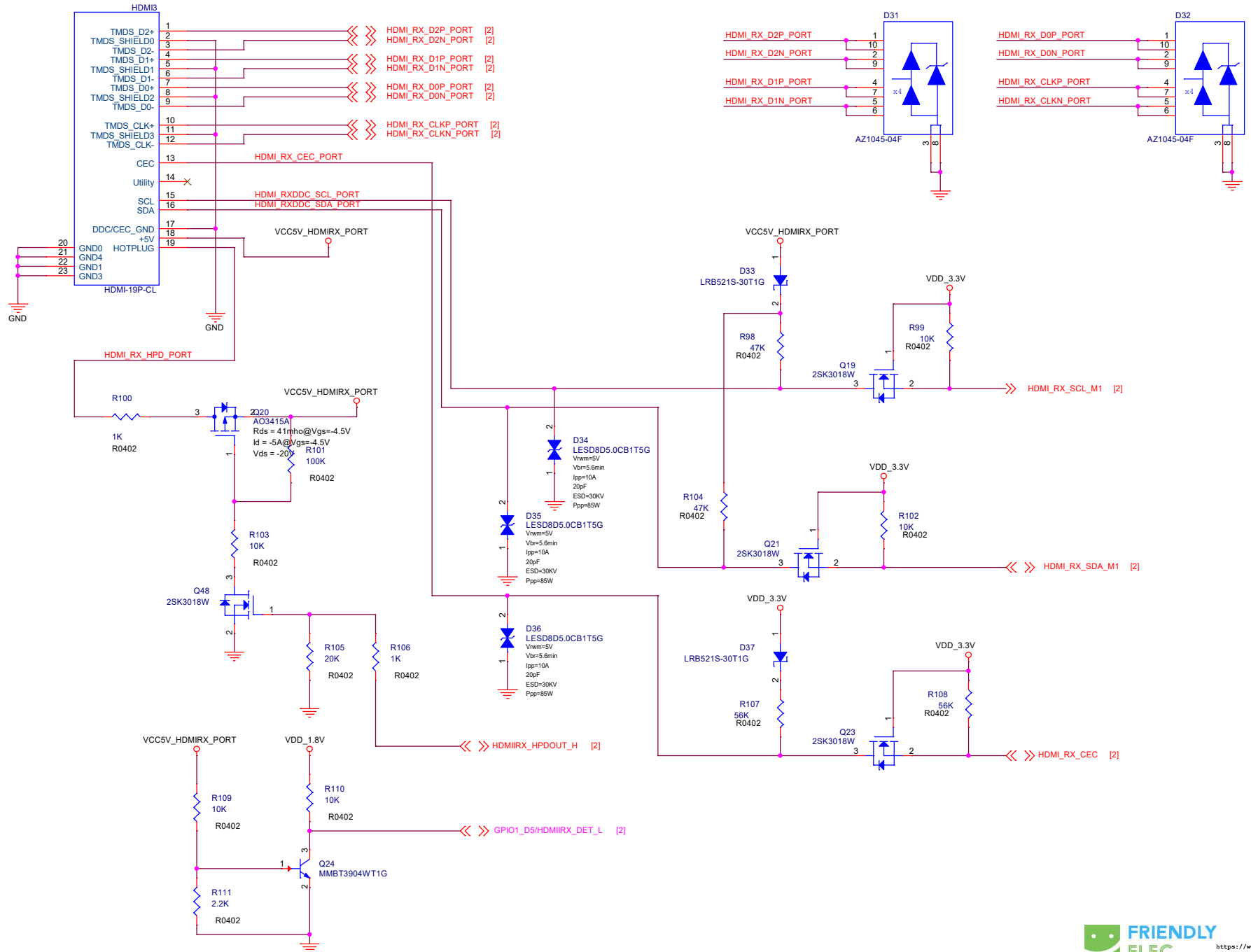
HDMI TX0



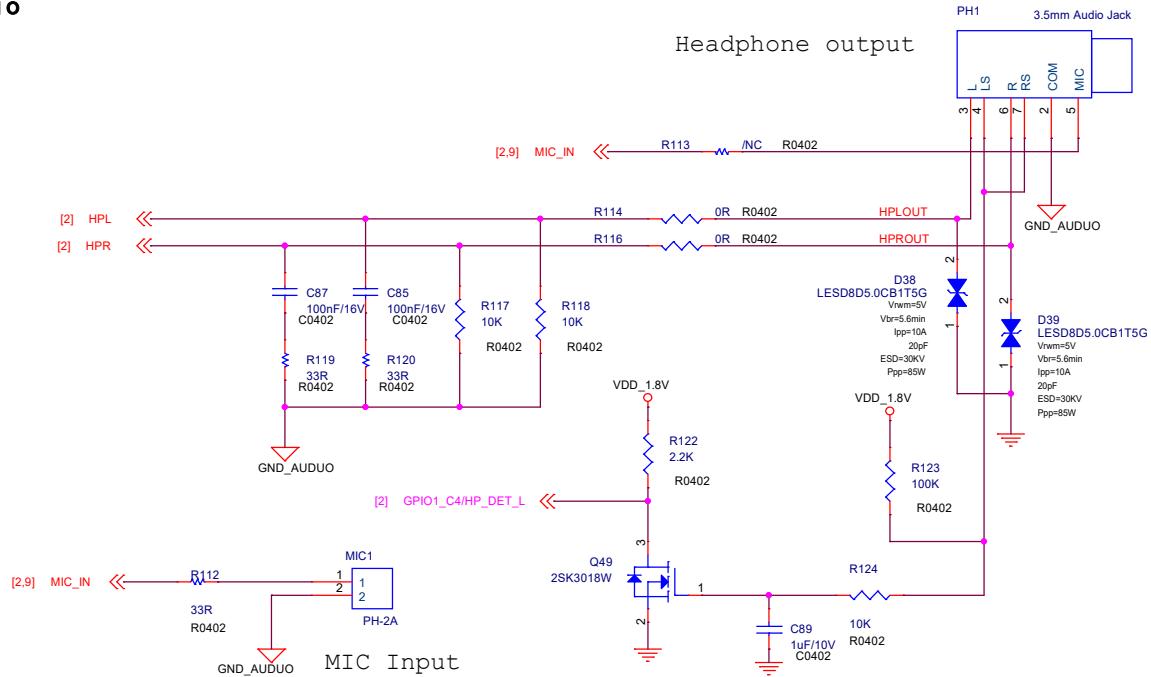
HDMI TX1



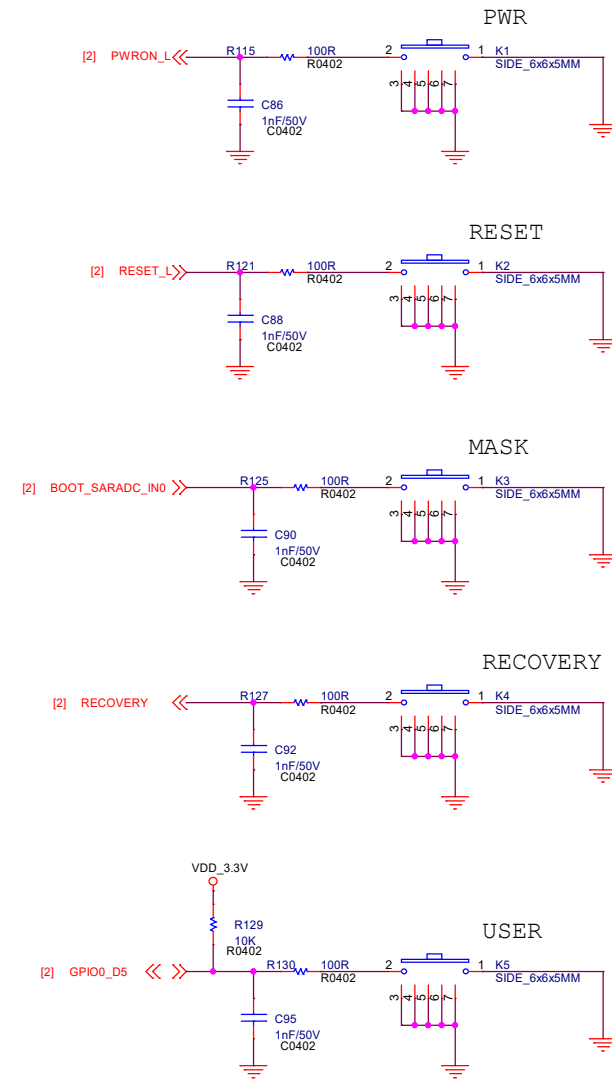
HDMI RX



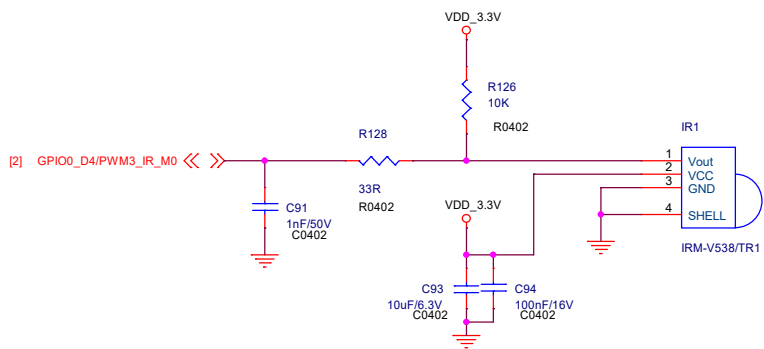
Audio



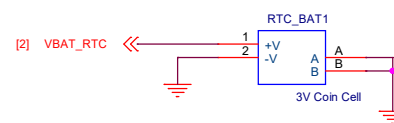
Buttons



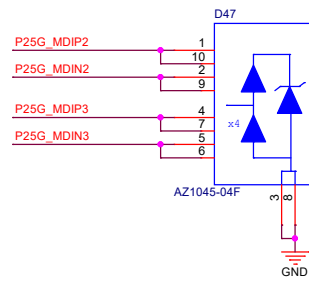
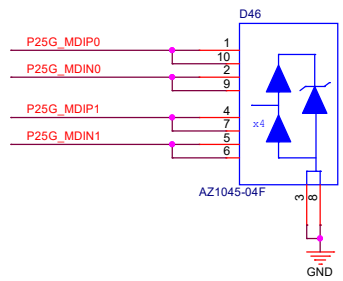
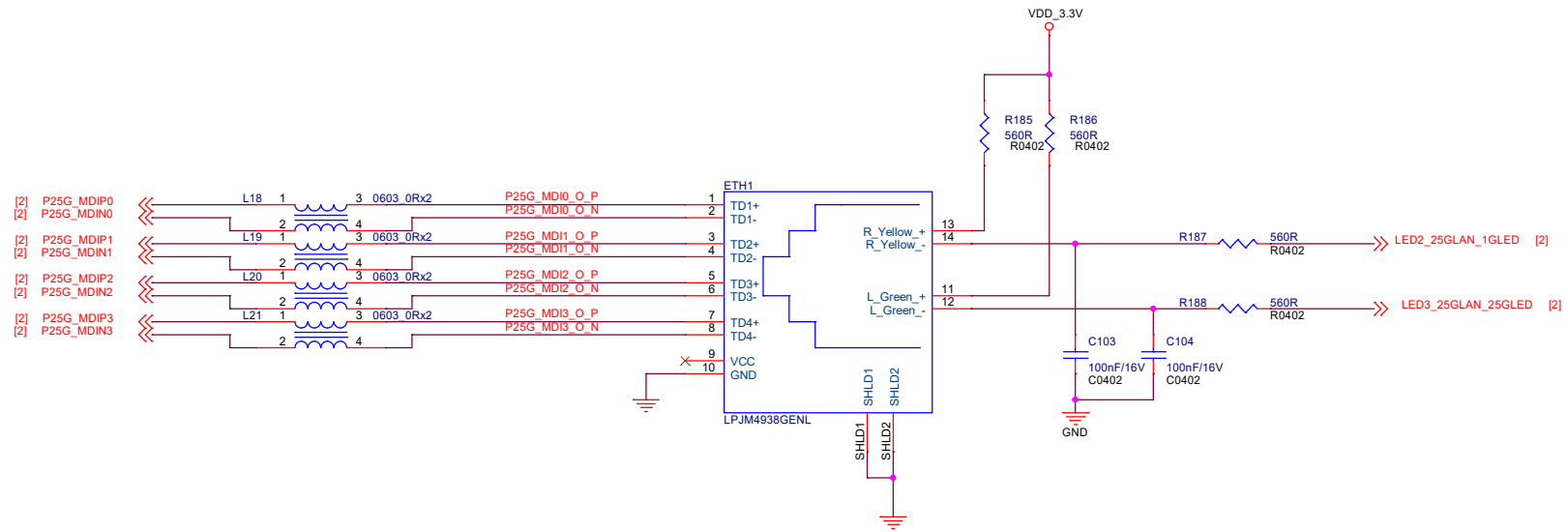
IR



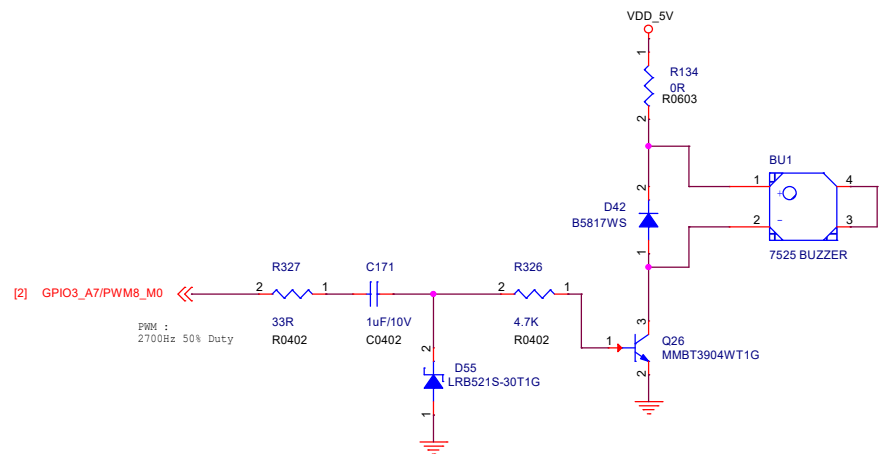
RTC



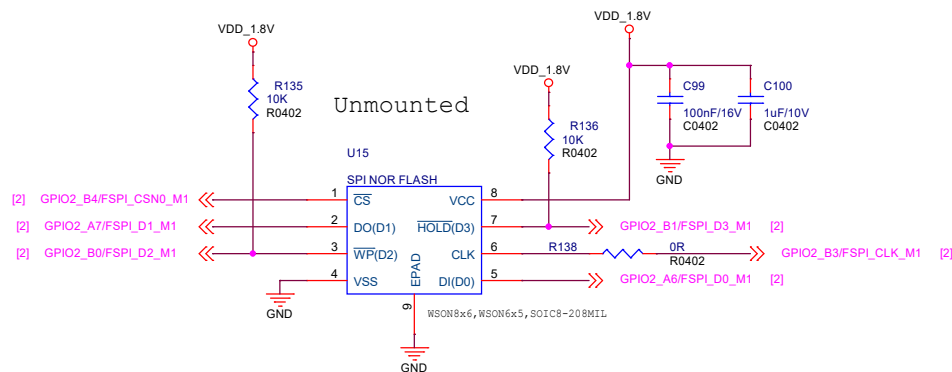
2. 5G Ethernet



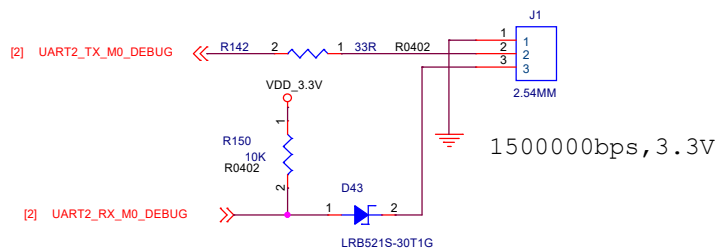
Buzzer



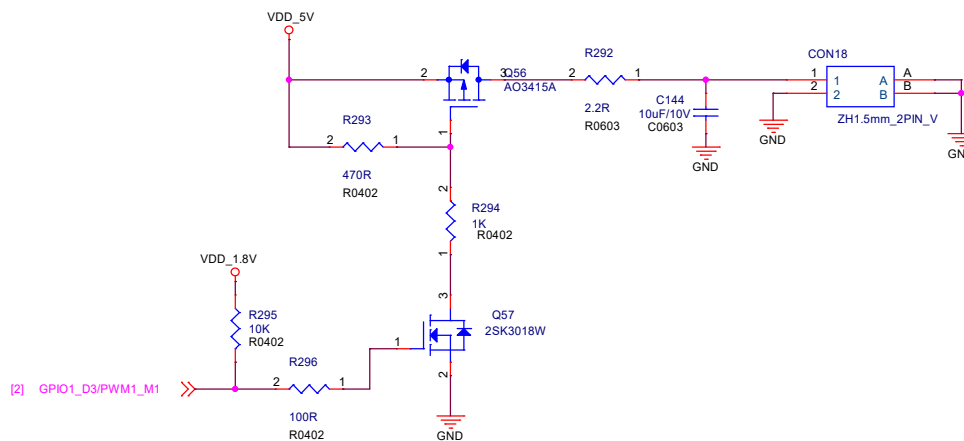
SPI Nor Flash



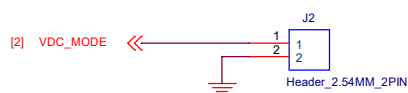
Bebug UART



5V Fan

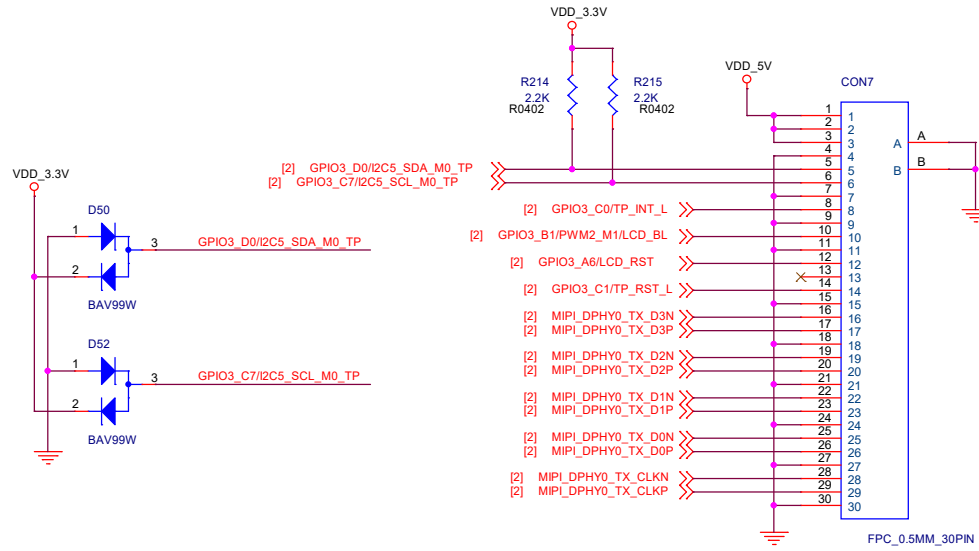


Power-On Mode Select Jumper

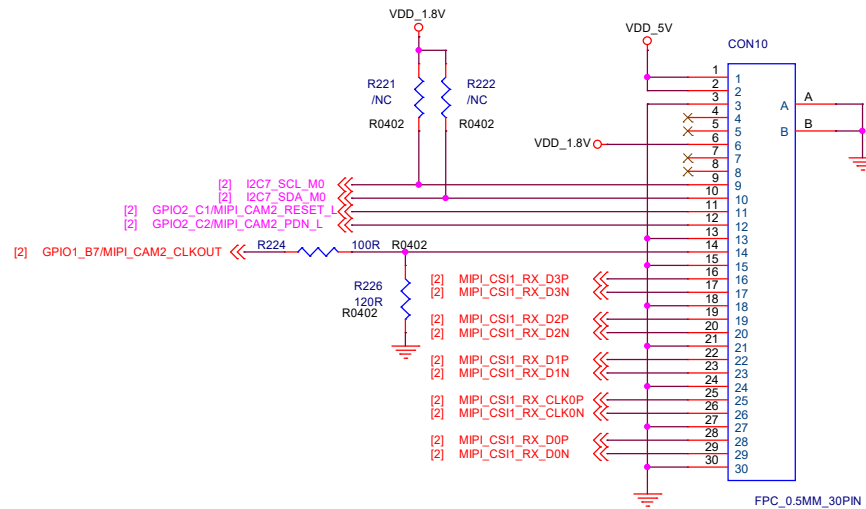


Opent: power up immediately after 12V IN is powered
Short: power up afer PowerKey is pressed

MIPI TX

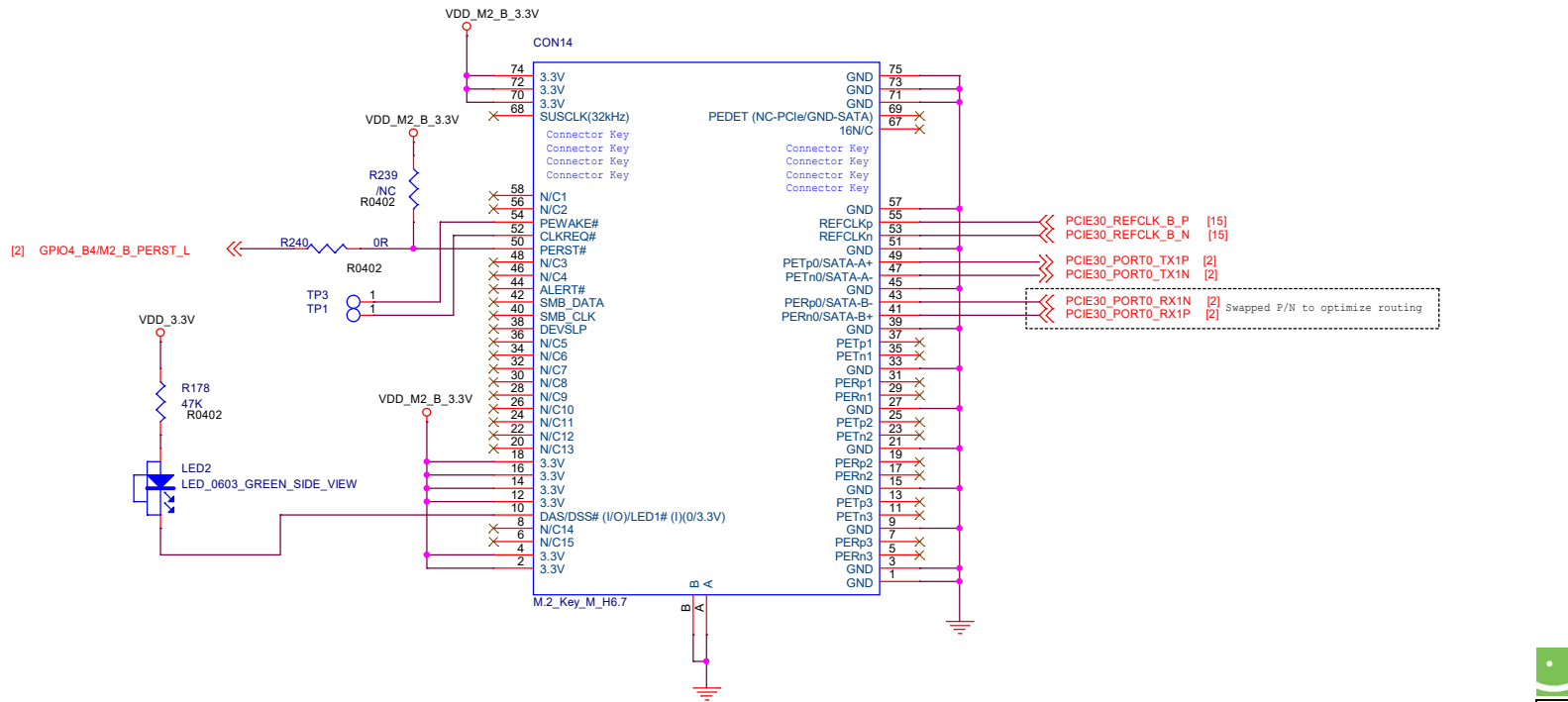
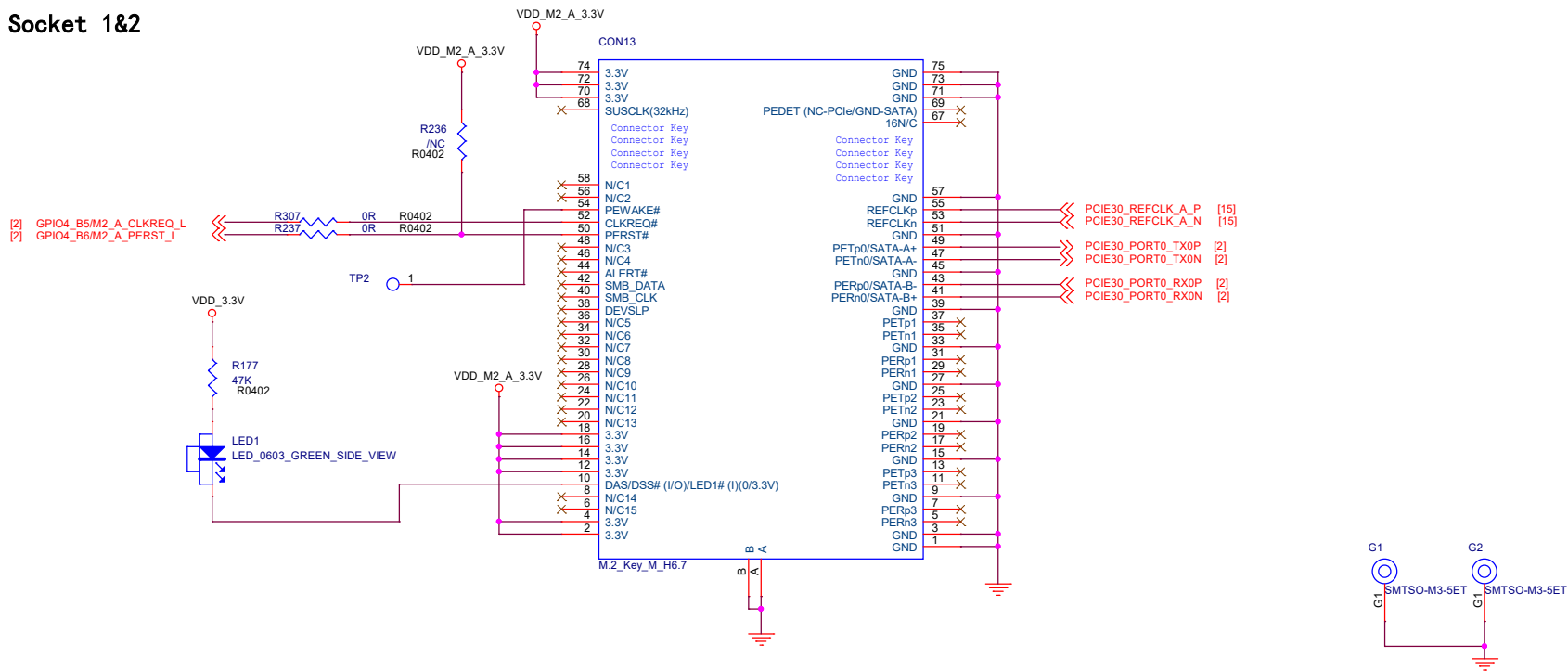


MIPI RX

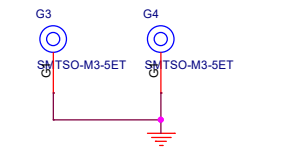
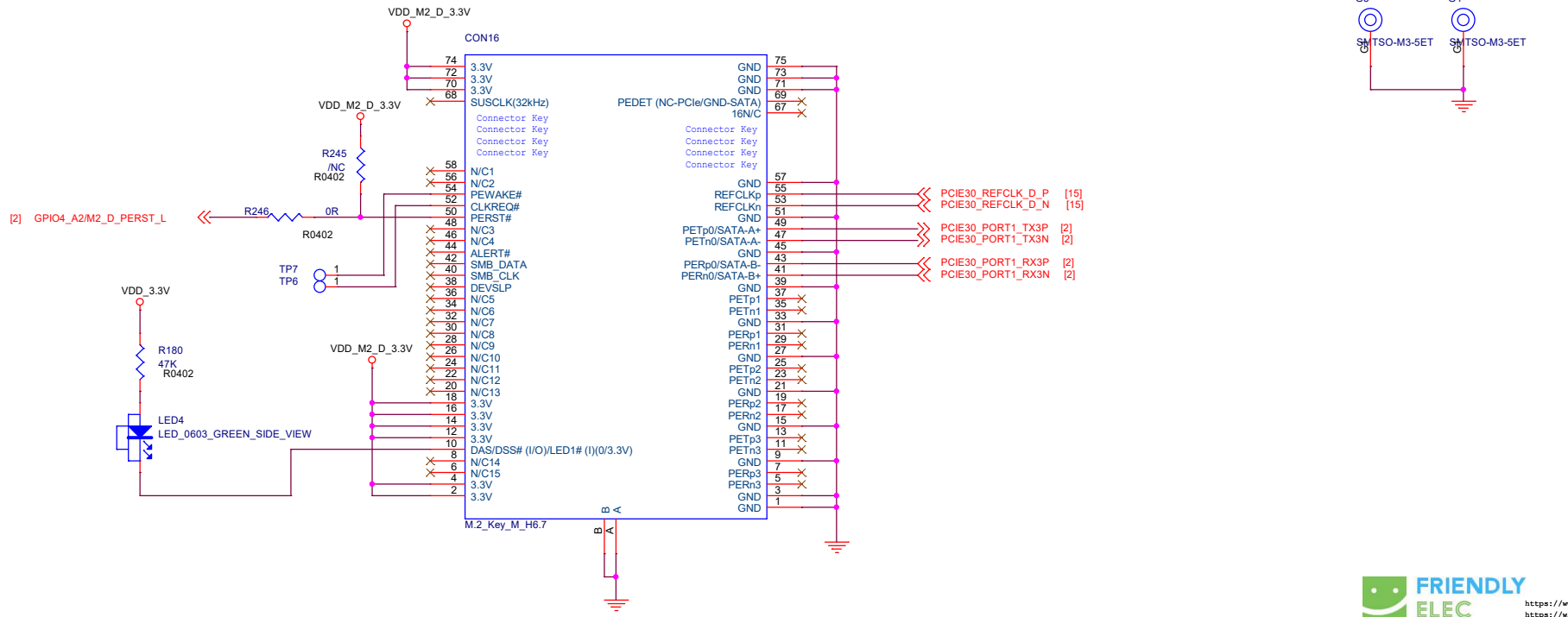
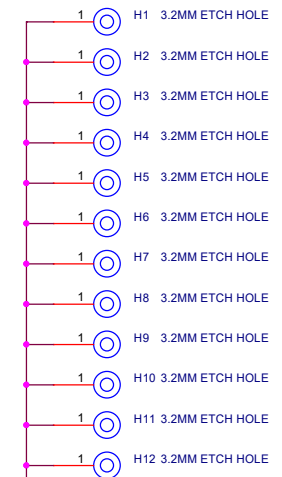
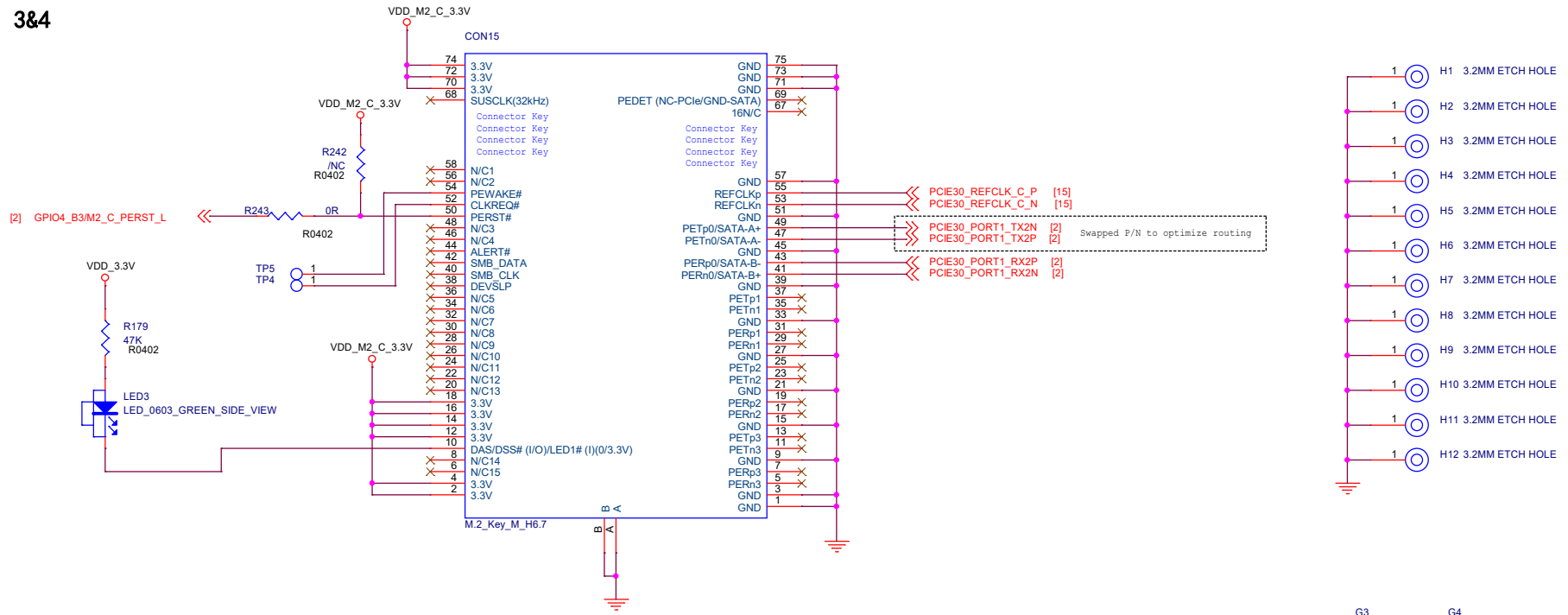


CM3588 NAS SDK		Rev 2309
Size A3	Page Name 12.MIPI	
Date: Wednesday, December 06, 2023	Sheet: 12 / 17	

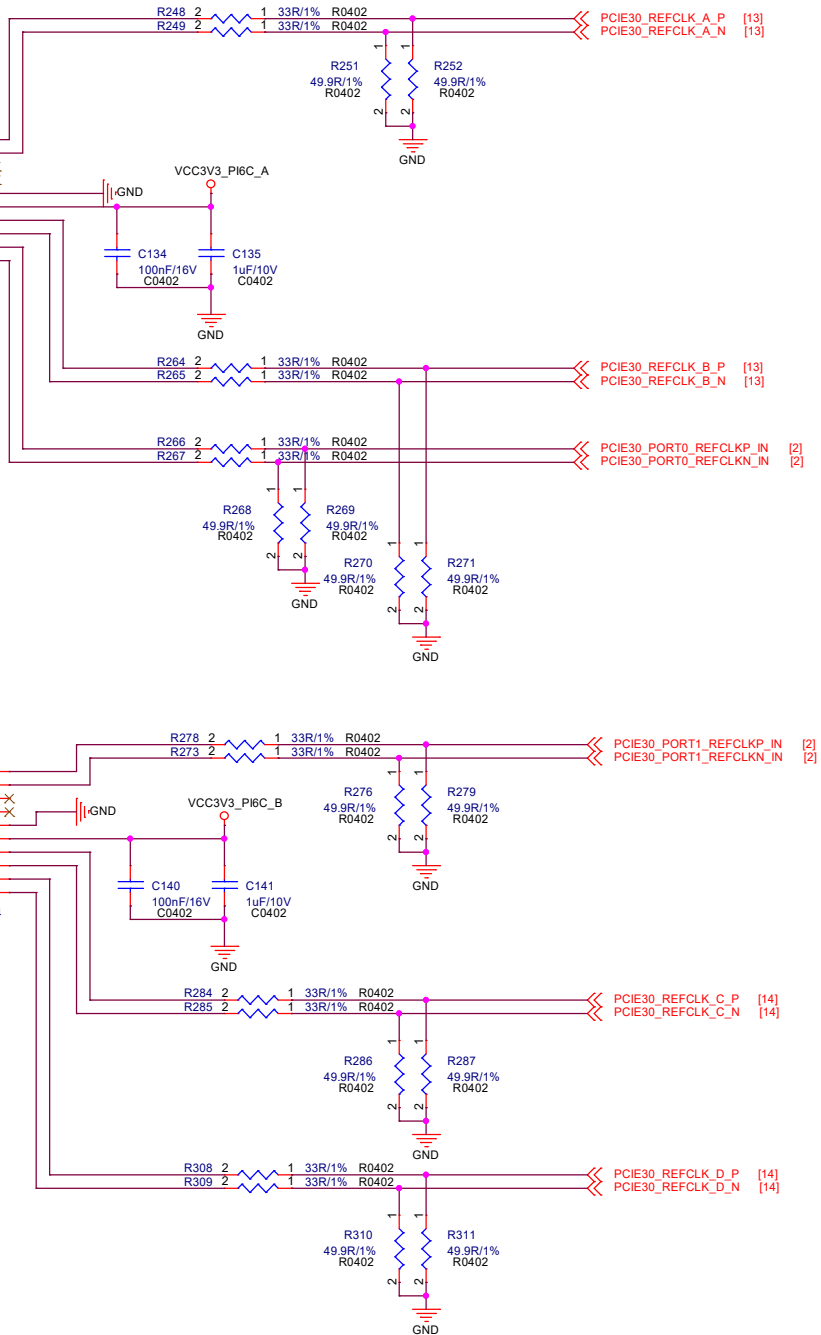
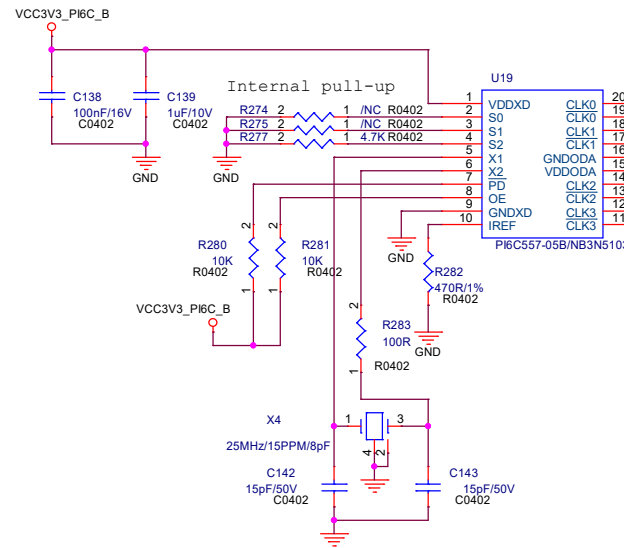
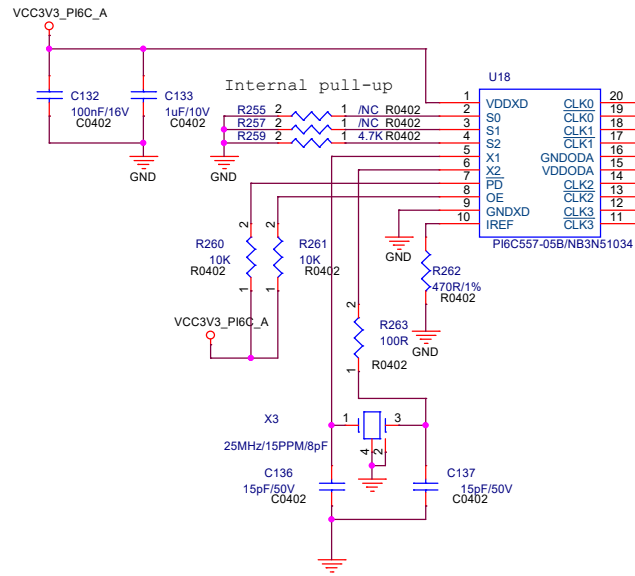
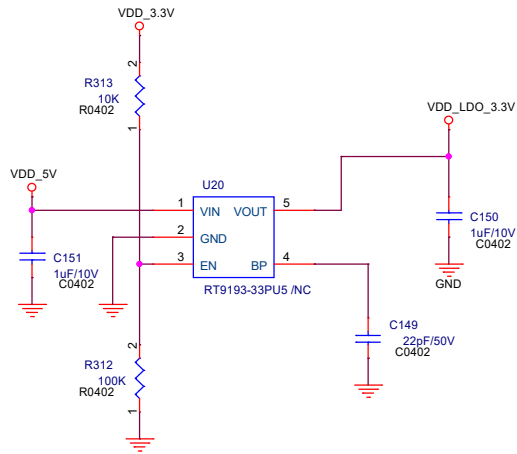
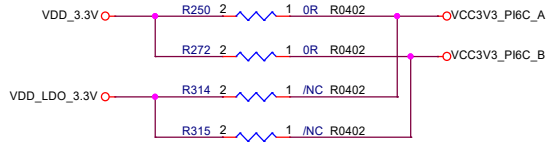
M.2 Key-M Socket 1&2

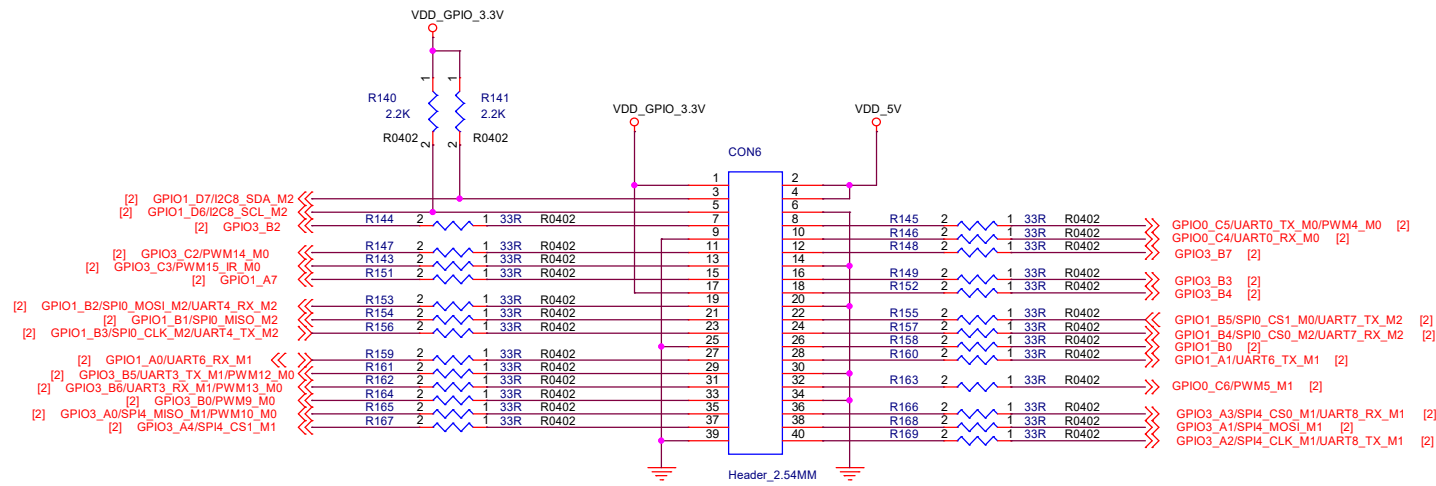


M.2 Key-M Socket 3&4

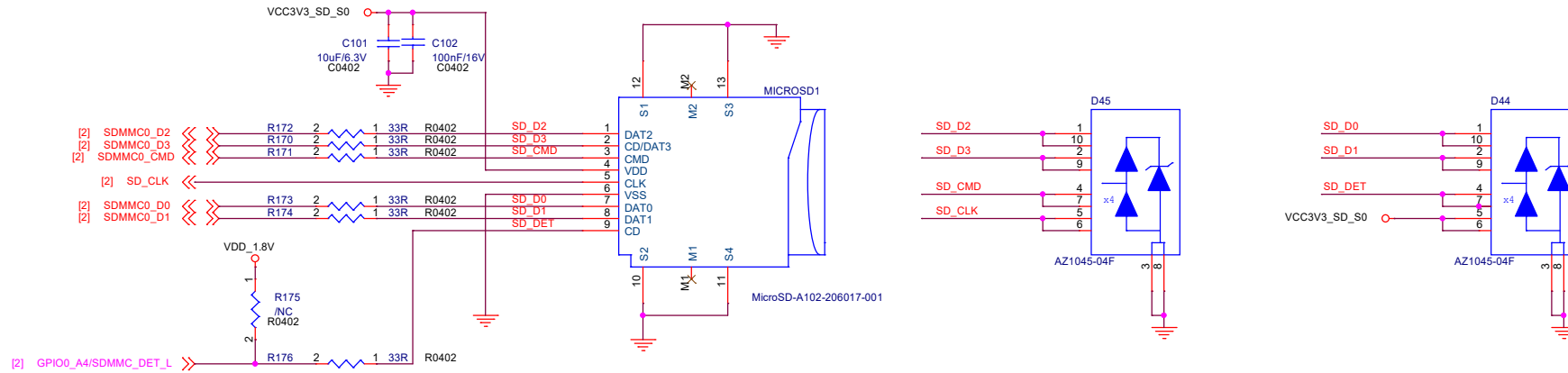


PCIe 3.0 Clock



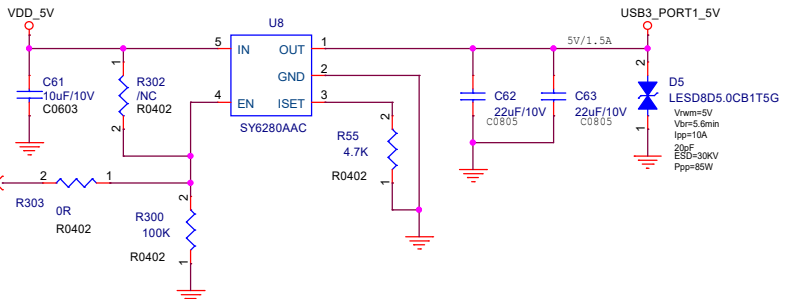


microSD Socket

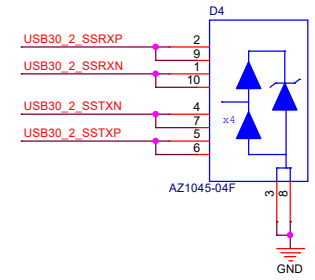
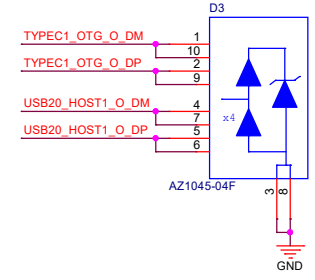
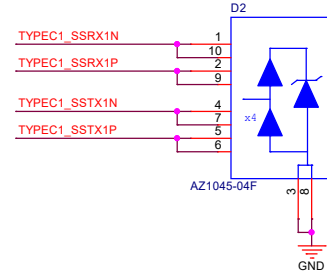
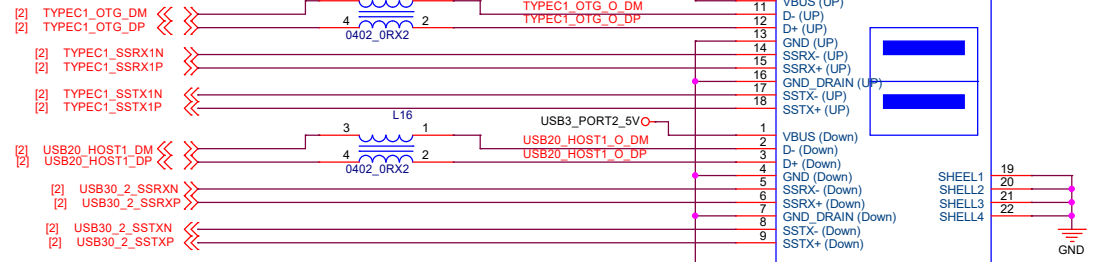
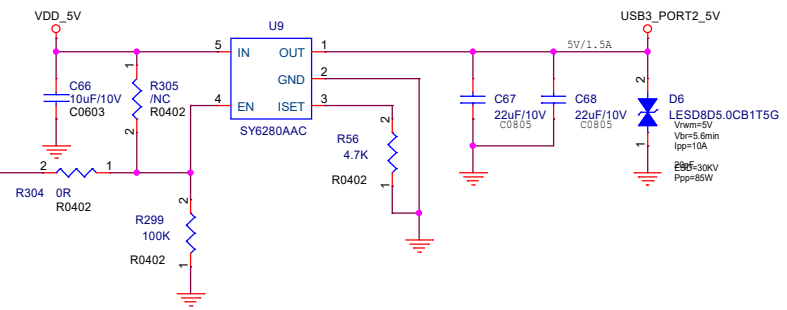


2 x USB 3.0 A

[2] GPIO4_B0/USB3_TYPEC1_PWREN



[2] GPIO3_A5/USB3_2_PWREN



USB 2.0 A

[2] GPIO1_A4/USB2_PWREN

