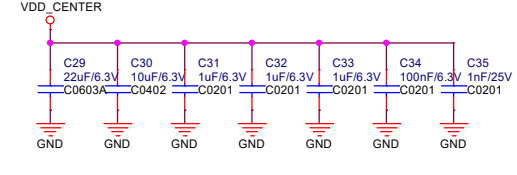
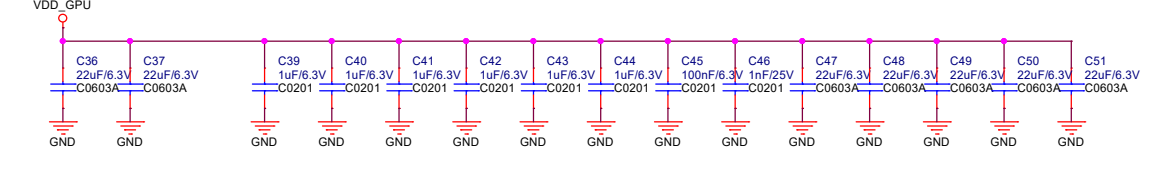
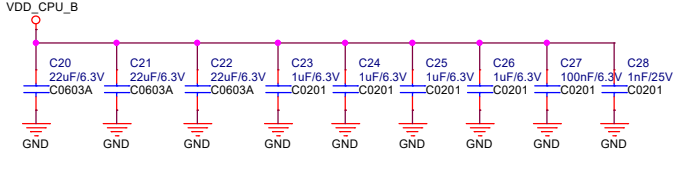
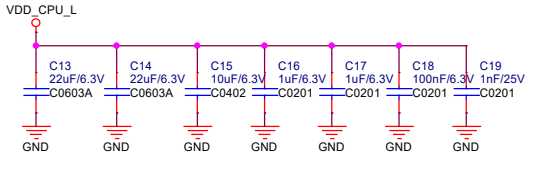
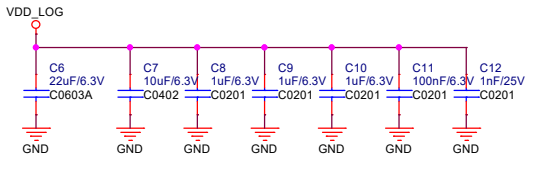
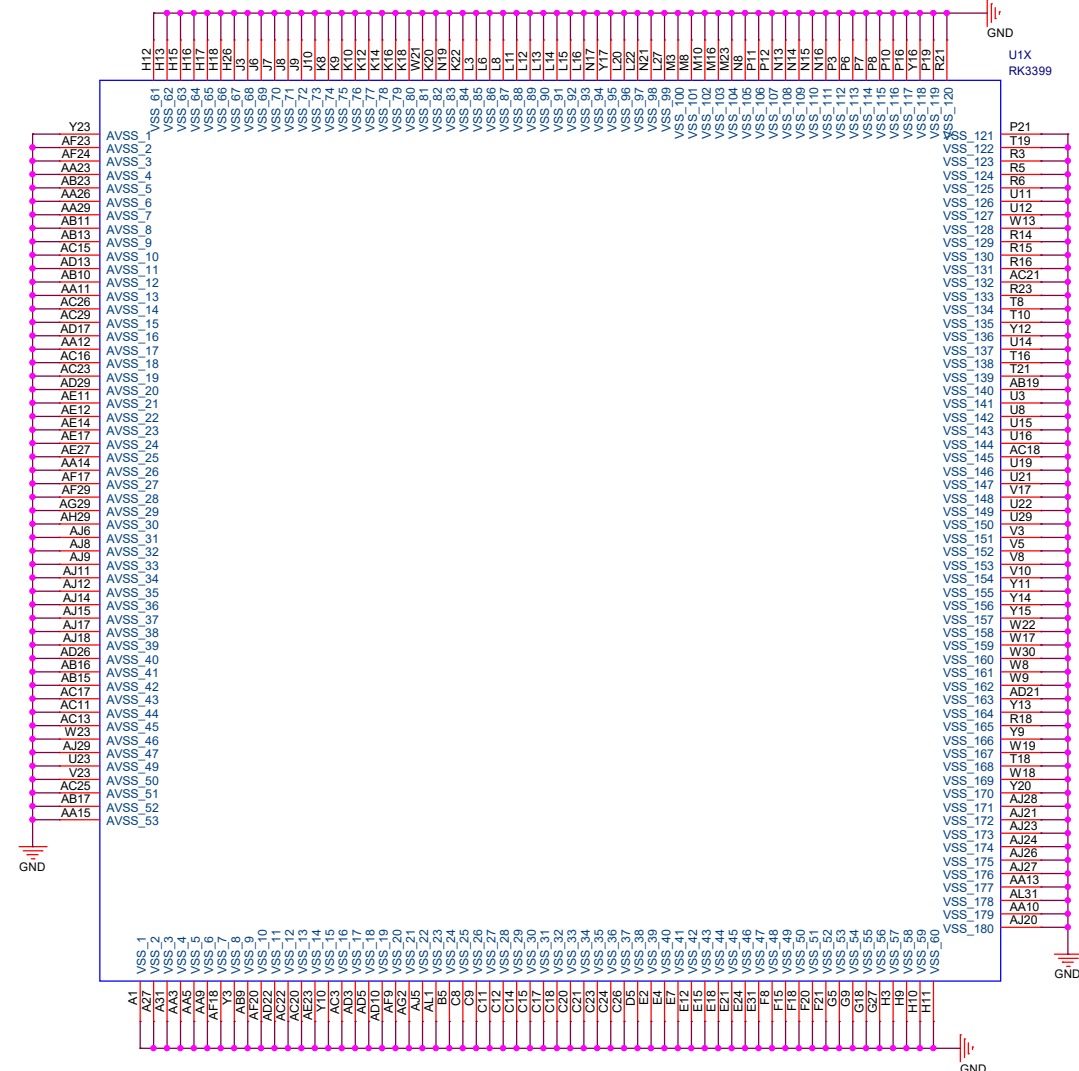
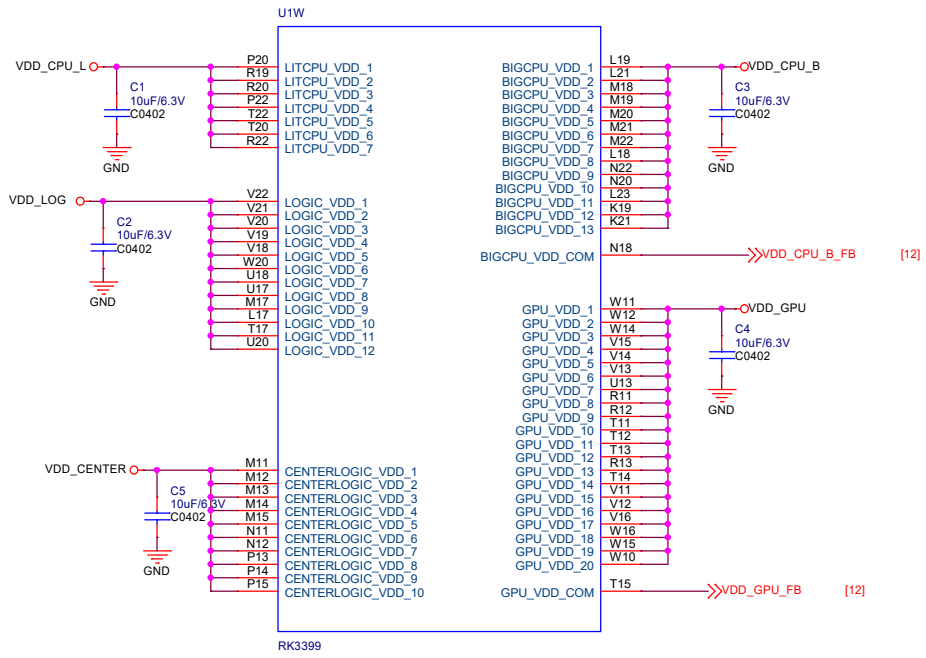
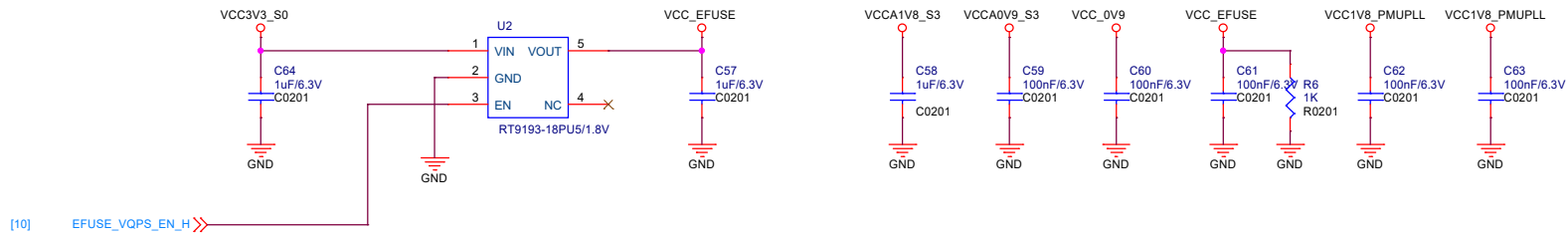
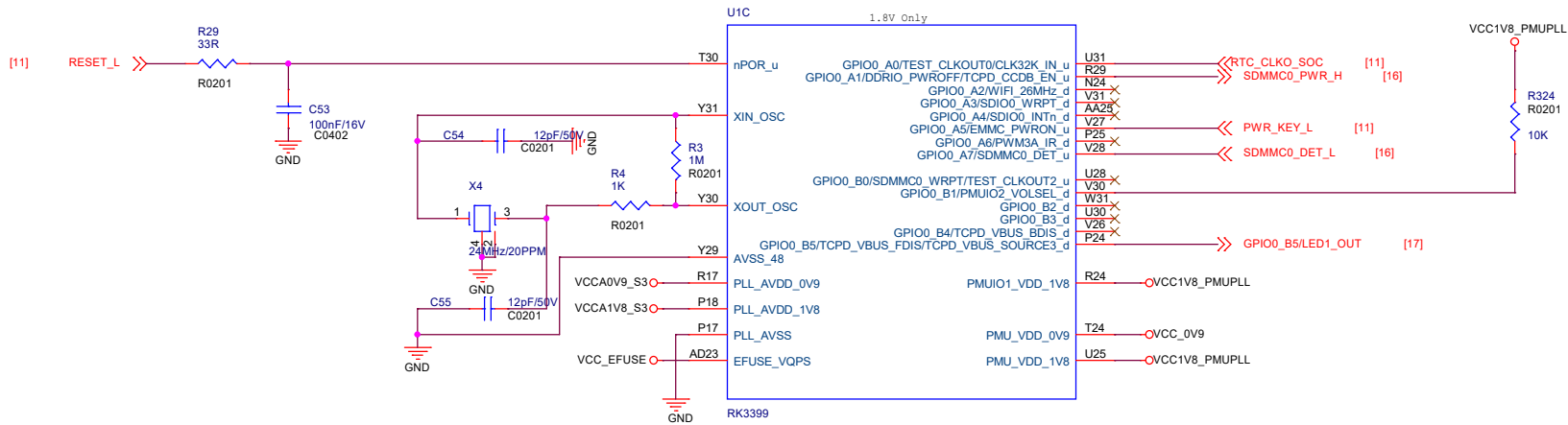


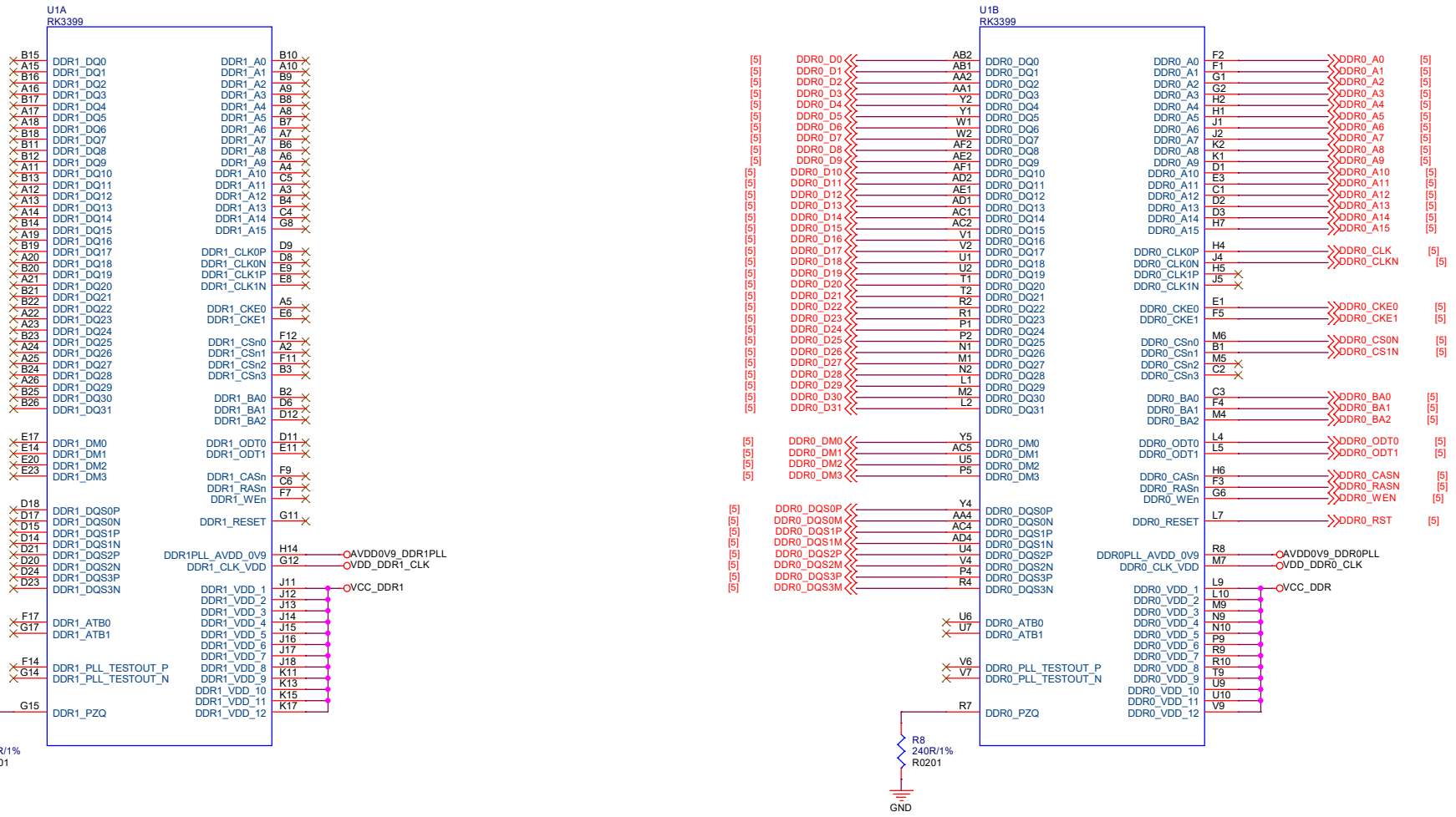
# NanoPi R4S (1GB)



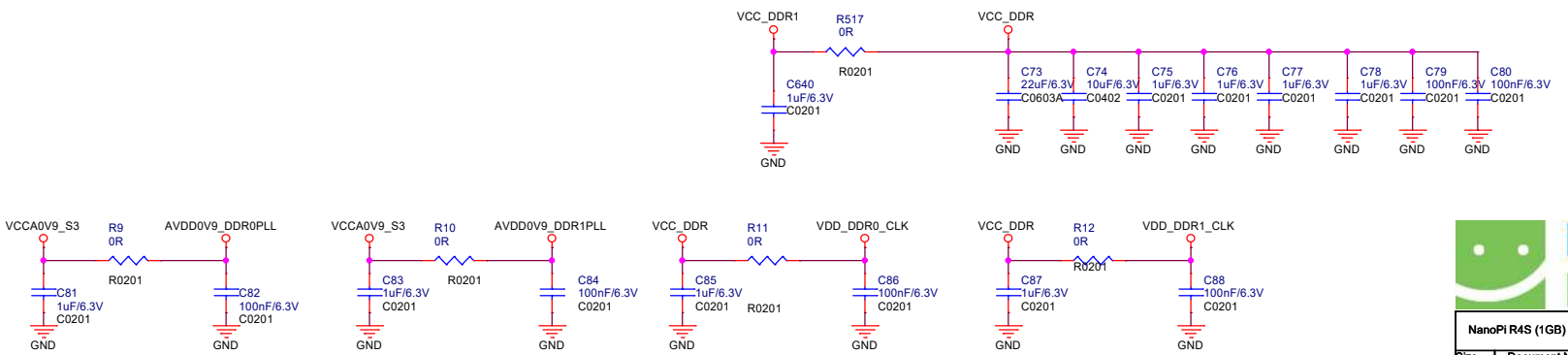
NanoPi R4S (1GB)		
Size A3	Document Number 01.Title	Rev 2008
Date:	Wednesday, October 28, 2020	Sheet 1 of 19



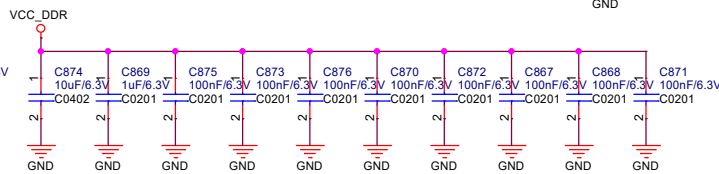
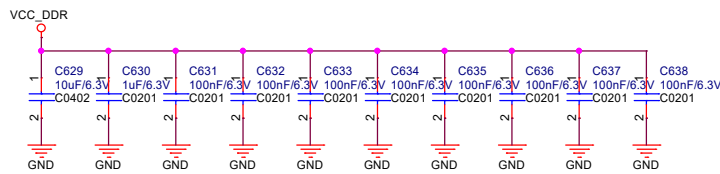
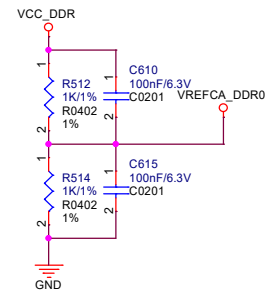
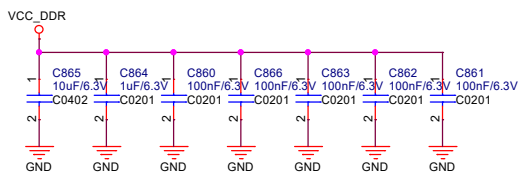
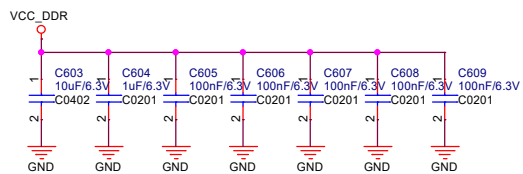
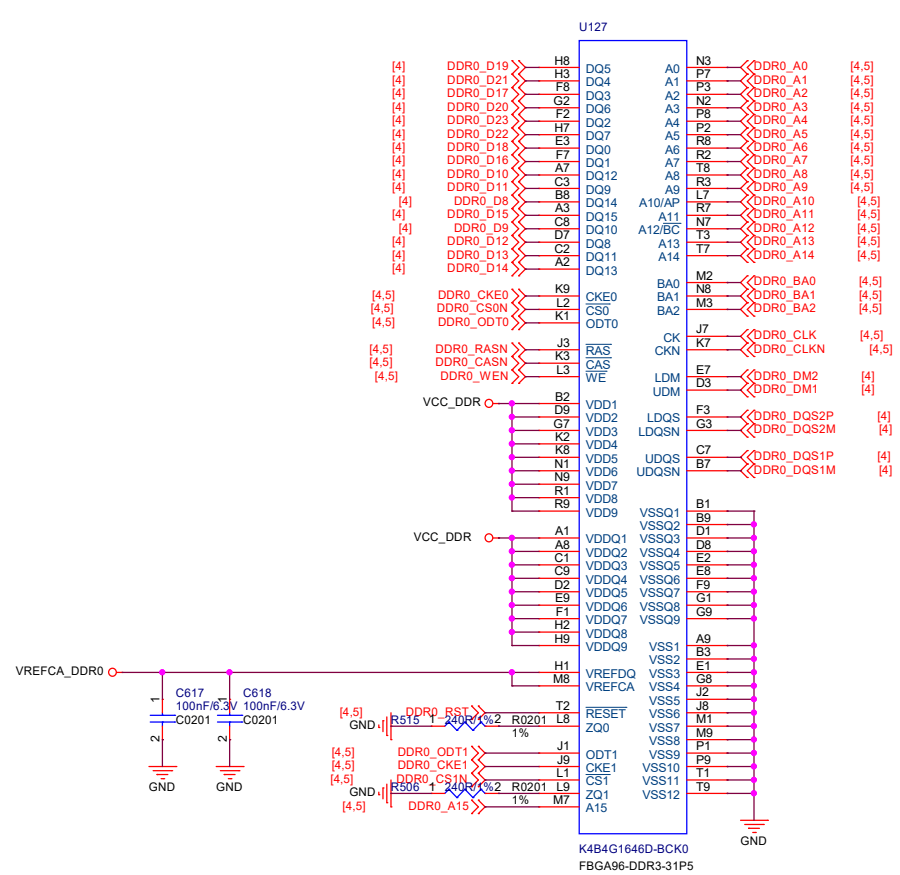
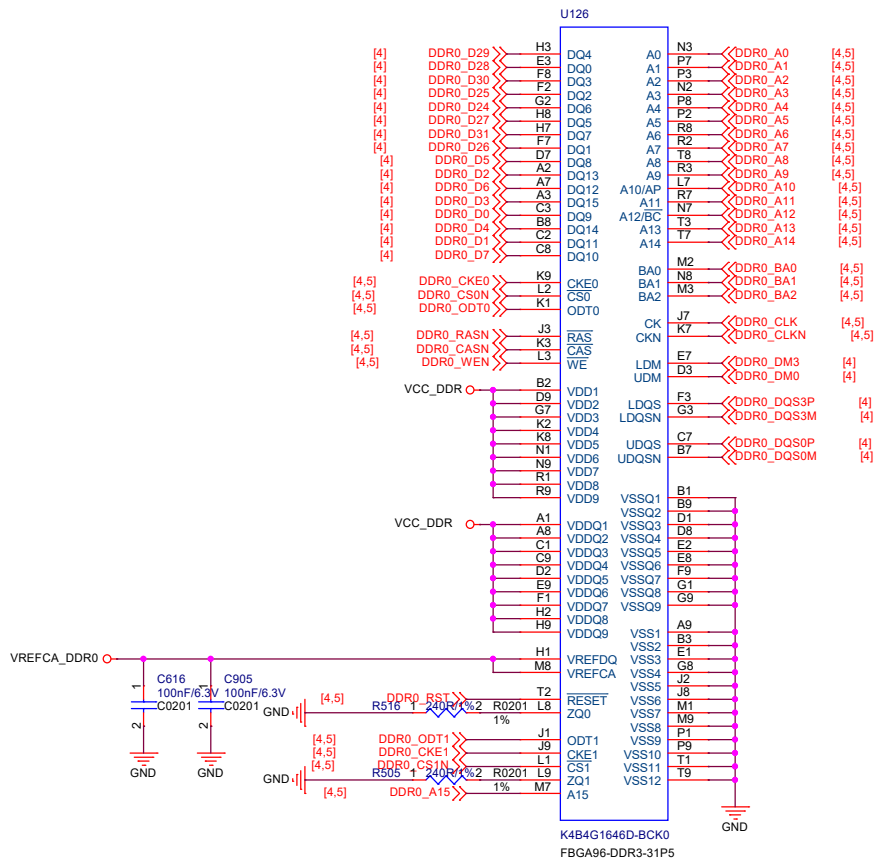


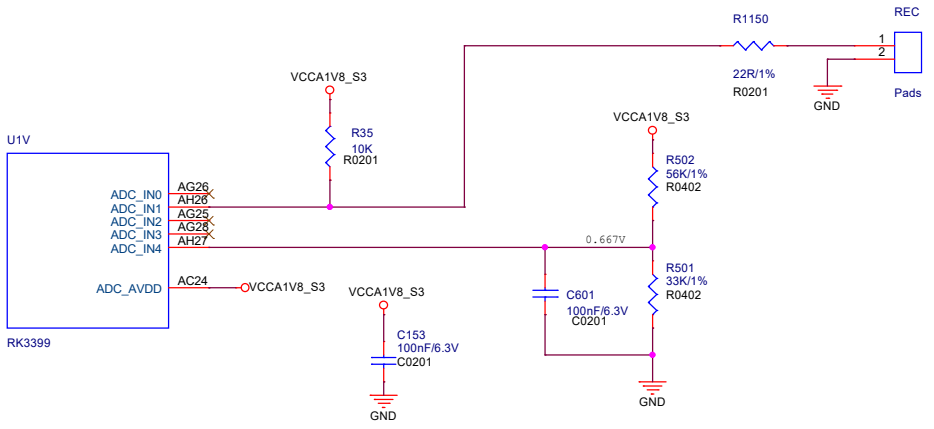
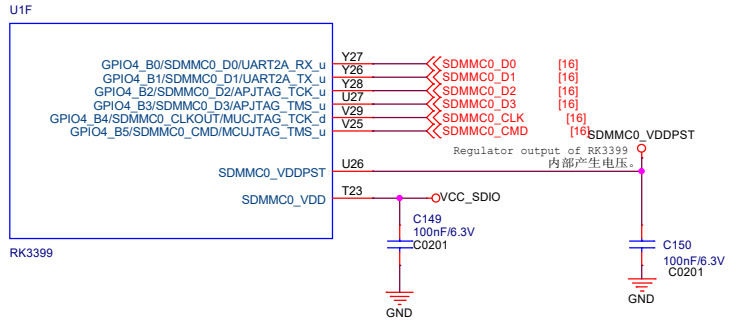
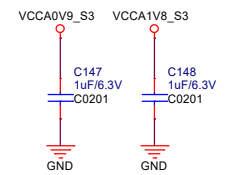
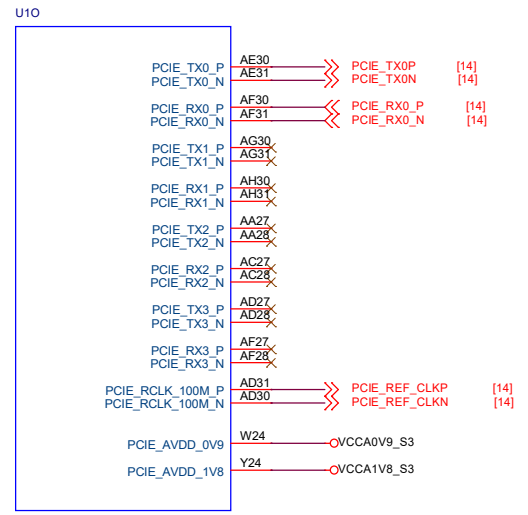
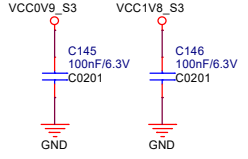
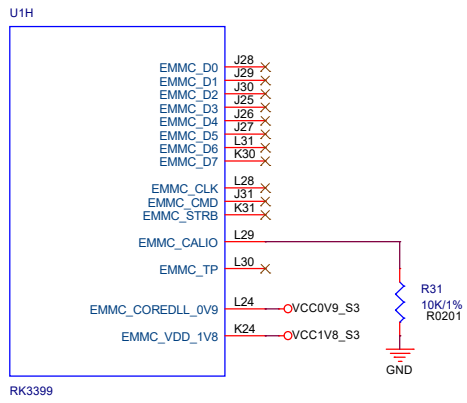


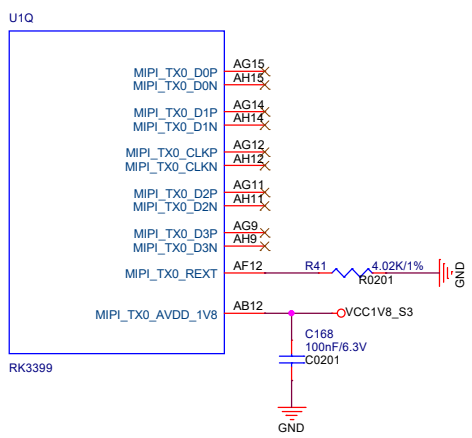
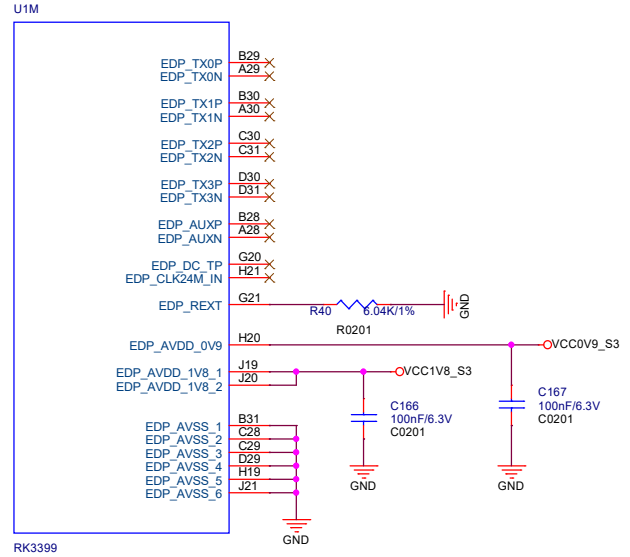
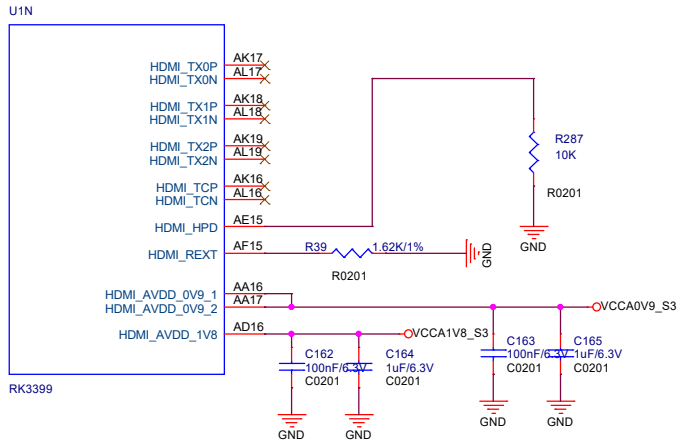
DDR FILTER



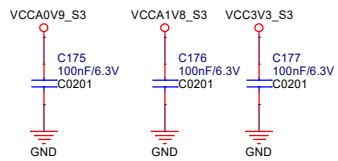
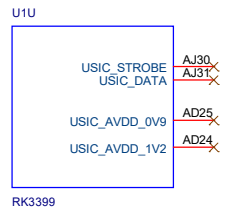
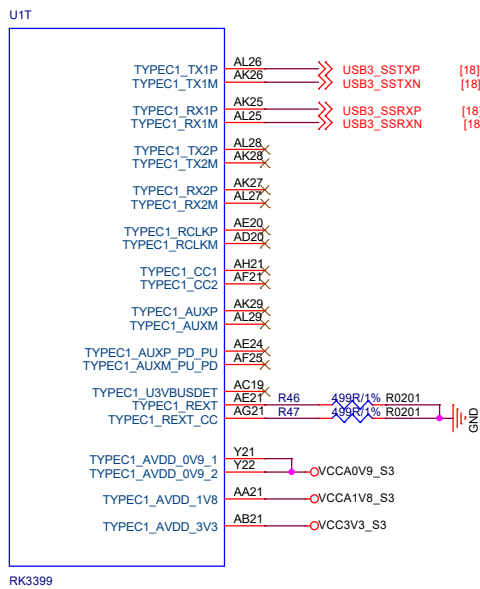
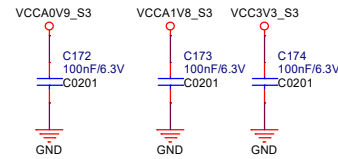
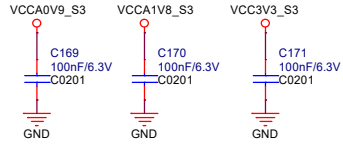
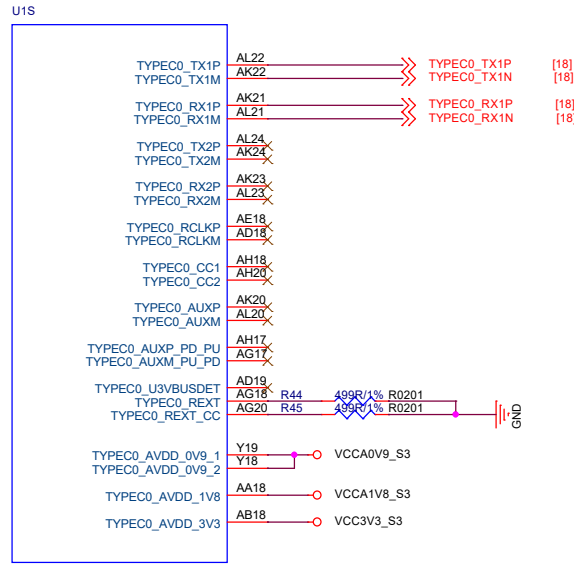
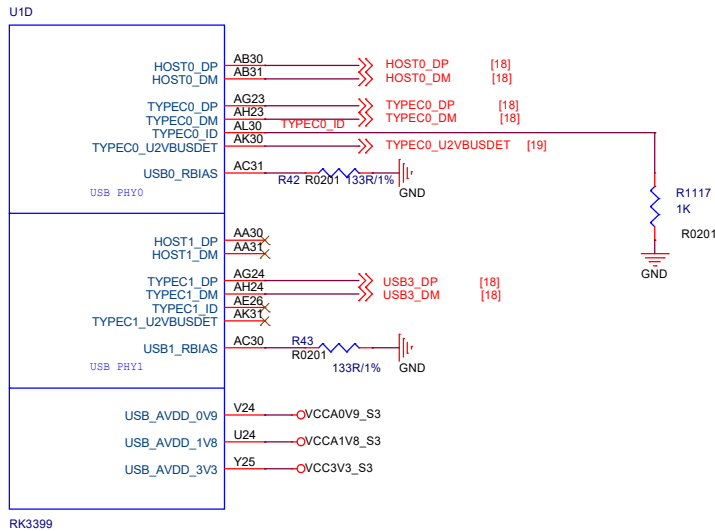
NanoPi R4S (1GB)		
Size A3	Document Number 04.RK3399 DDR Controller	Rev 2008
Date: Wednesday, October 28, 2020	Sheet 4	of 19



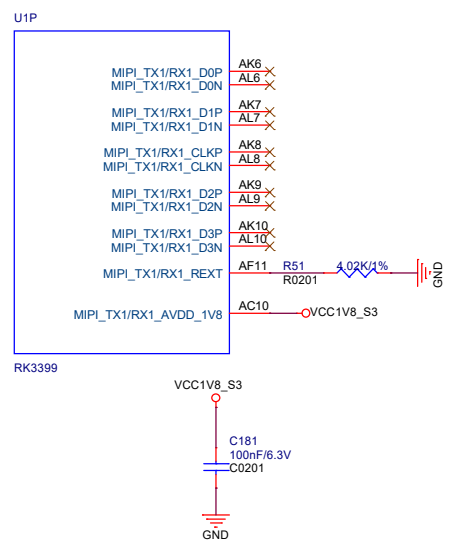
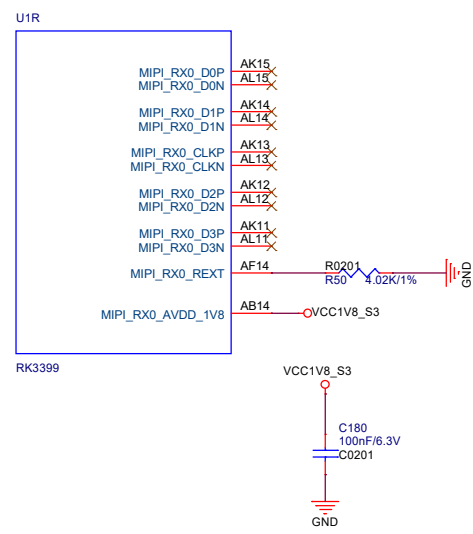
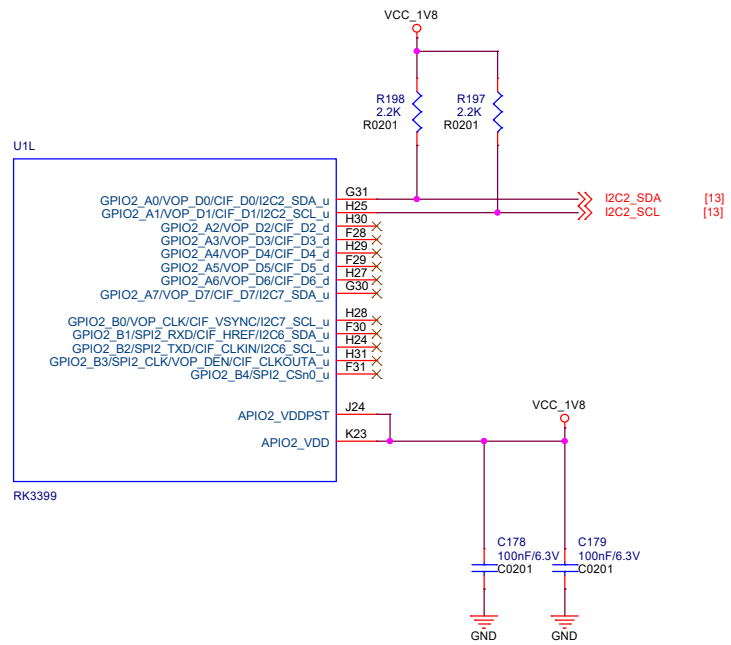


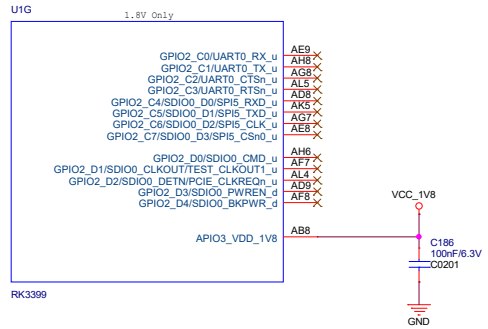
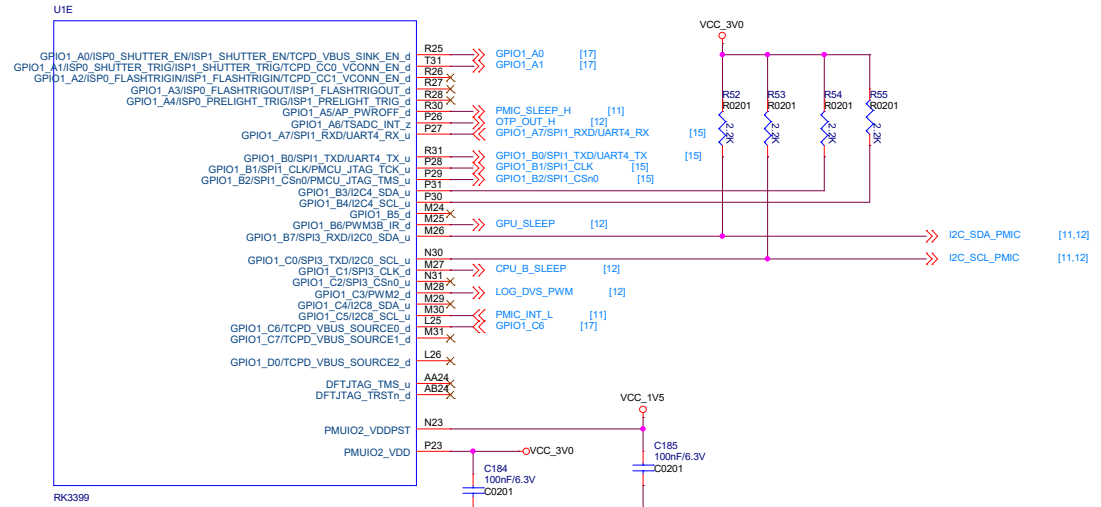
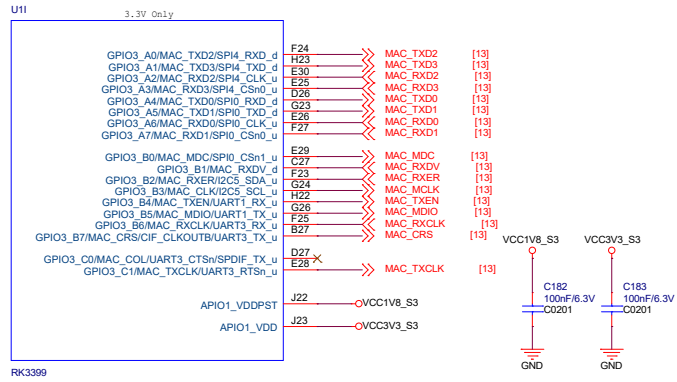


NanoPI R4S (1GB)		
Size	Document Number	Rev
A3	07.RK3399 Display Interface	2008
Date:	Wednesday, October 28, 2020	Sheet 7 of 19

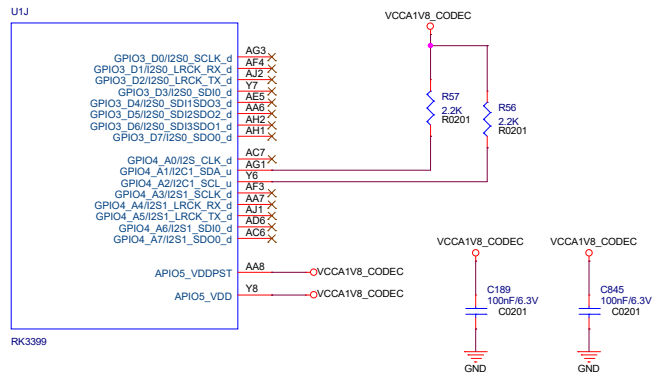
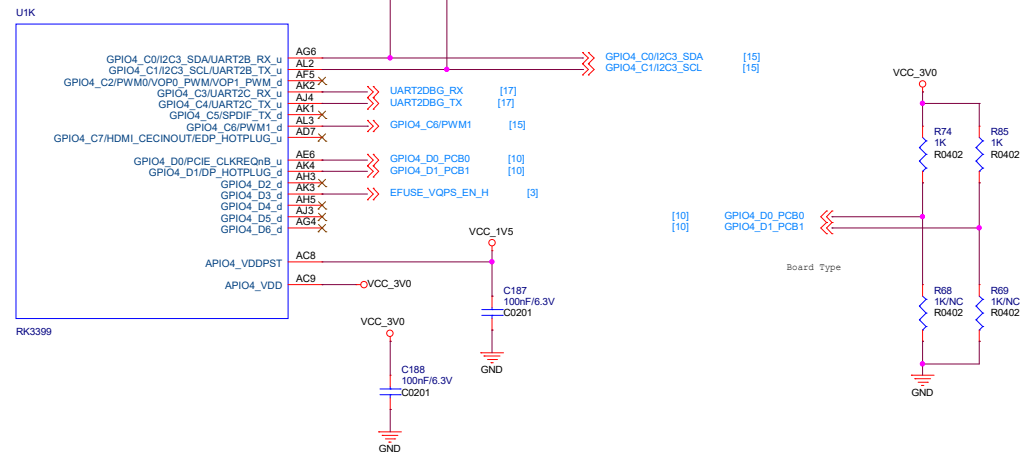


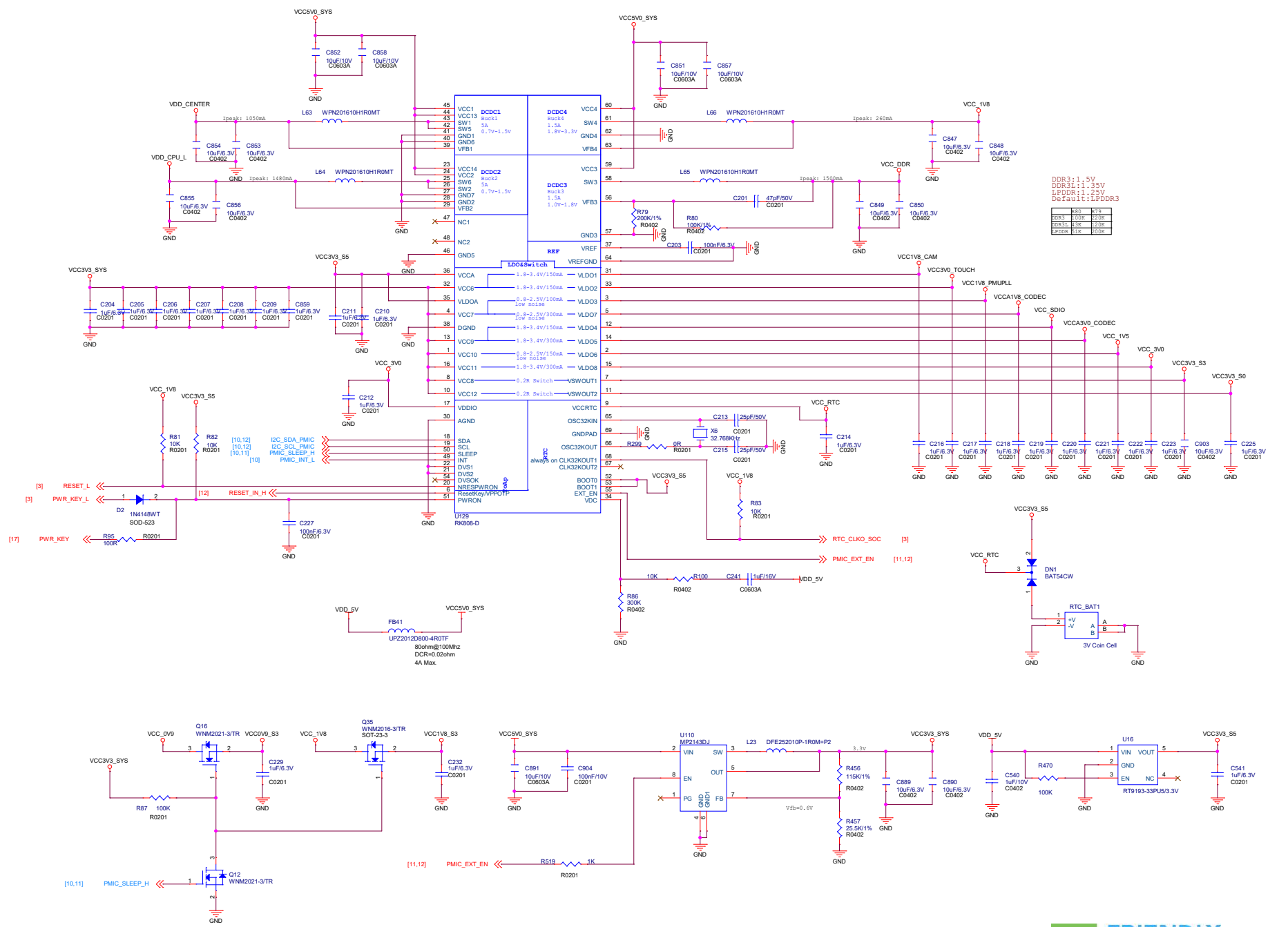






1.8V Only	VDDPST=VDDIO=1.8V
3.3V Only	VDDPST=1.8V, VDDIO=3.3V
other	3.0V mode: VDDPST=1.5V, VDDIO=3.0V 1.8V mode: VDDPST=1.8V, VDDIO=1.8V

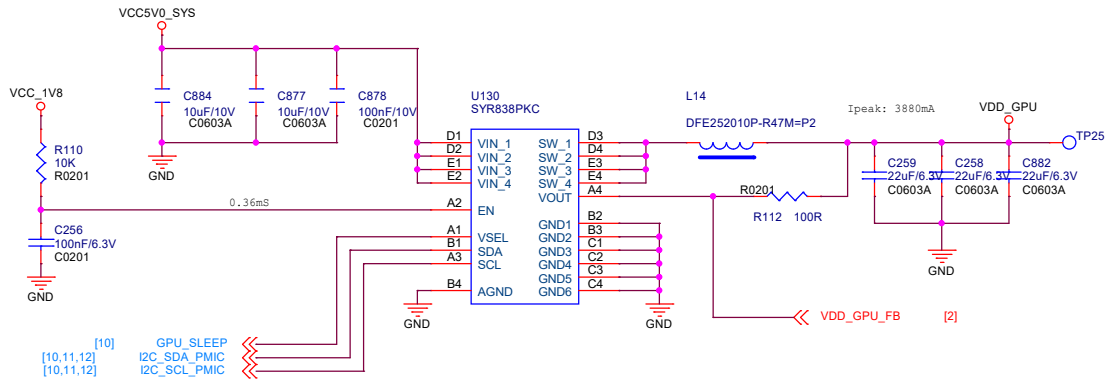




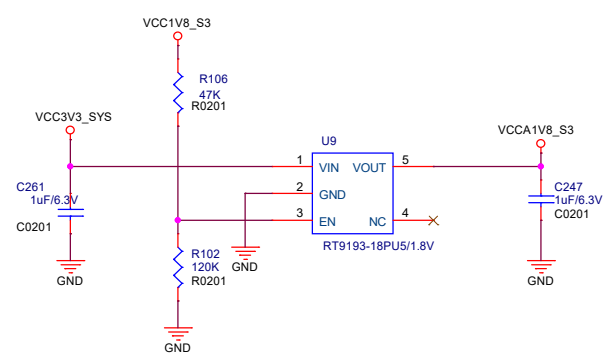
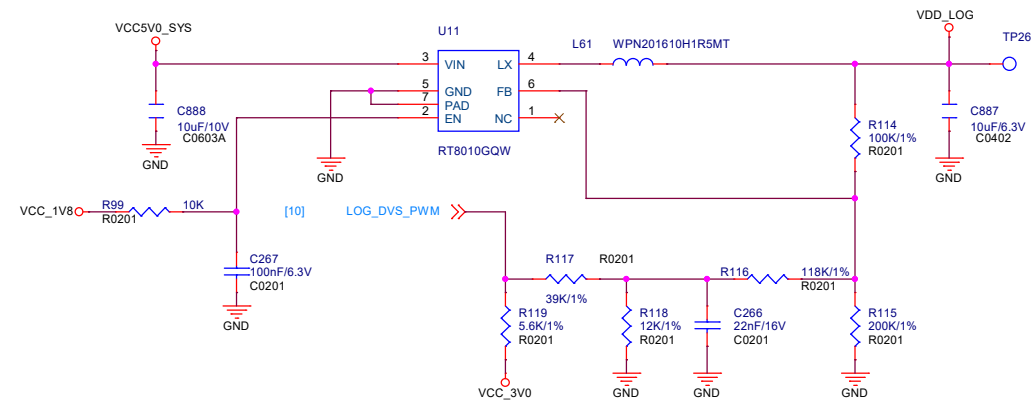
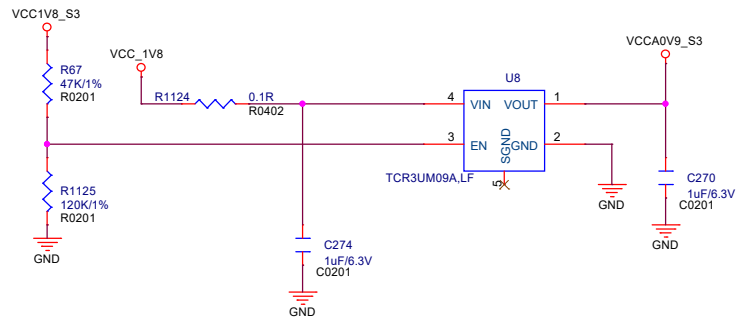
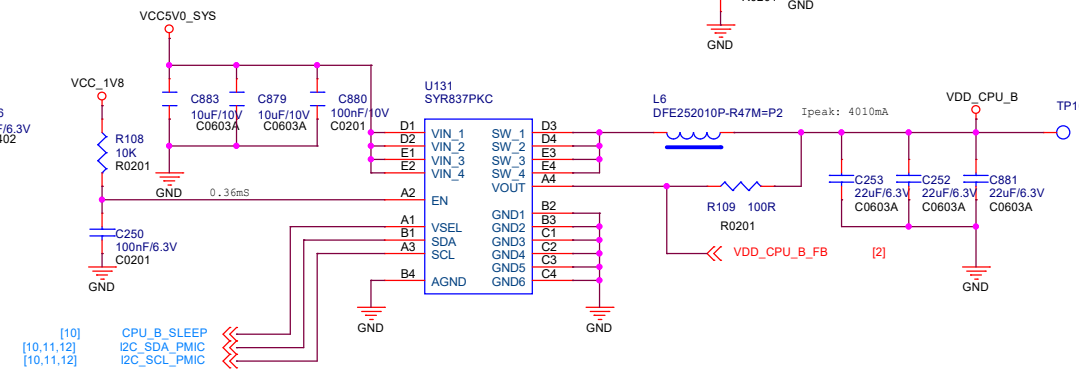
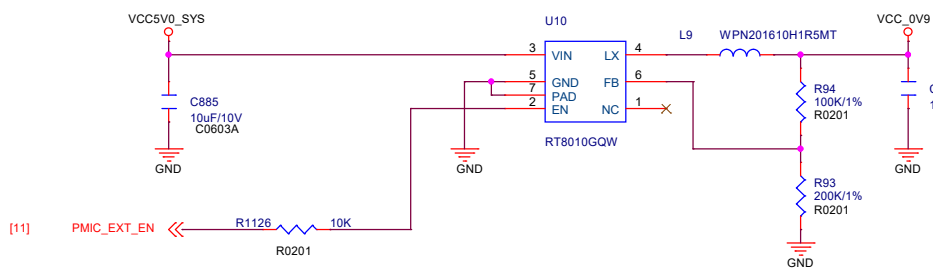
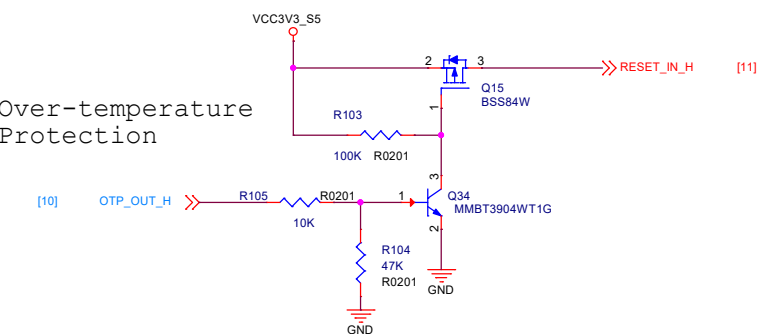
DDR3: 1.5V  
 DDR3L: 1.35V  
 LPDDR: 1.25V  
 Default: LPDDR3

FB0	FB1
DDR3	DDR3L
LPDDR3	LPDDR
LPDDR3	LPDDR



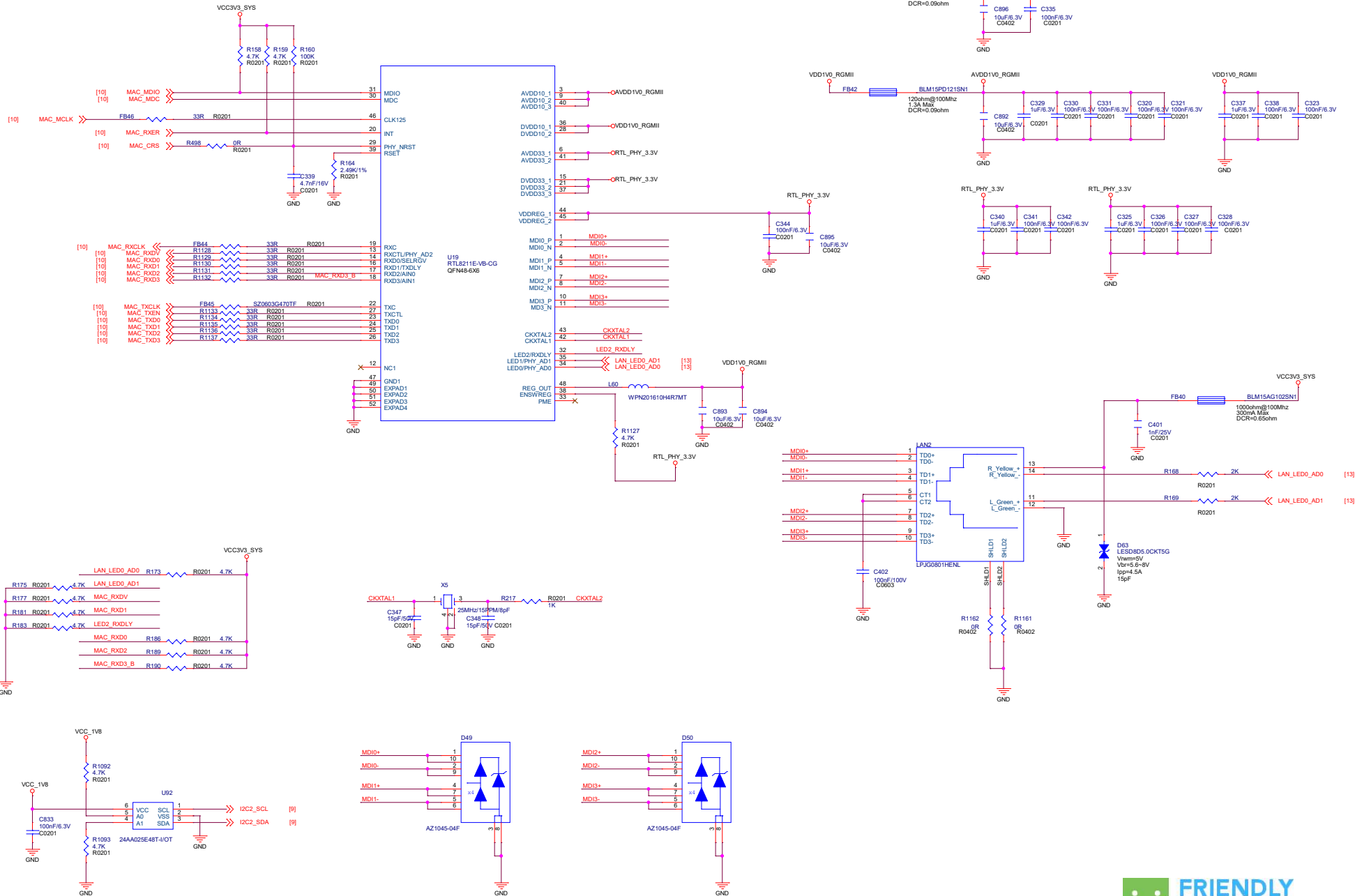


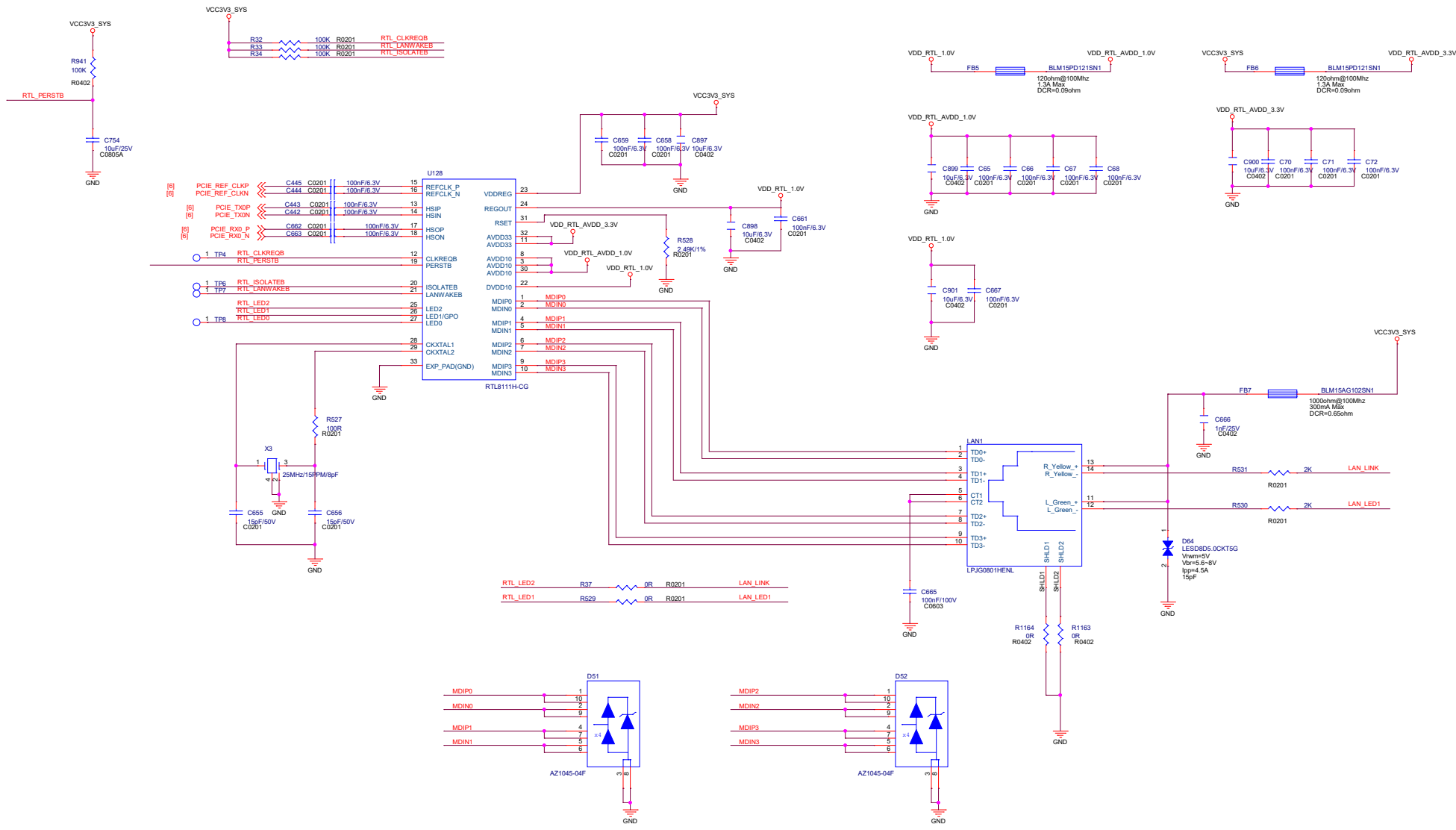
### Over-temperature Protection



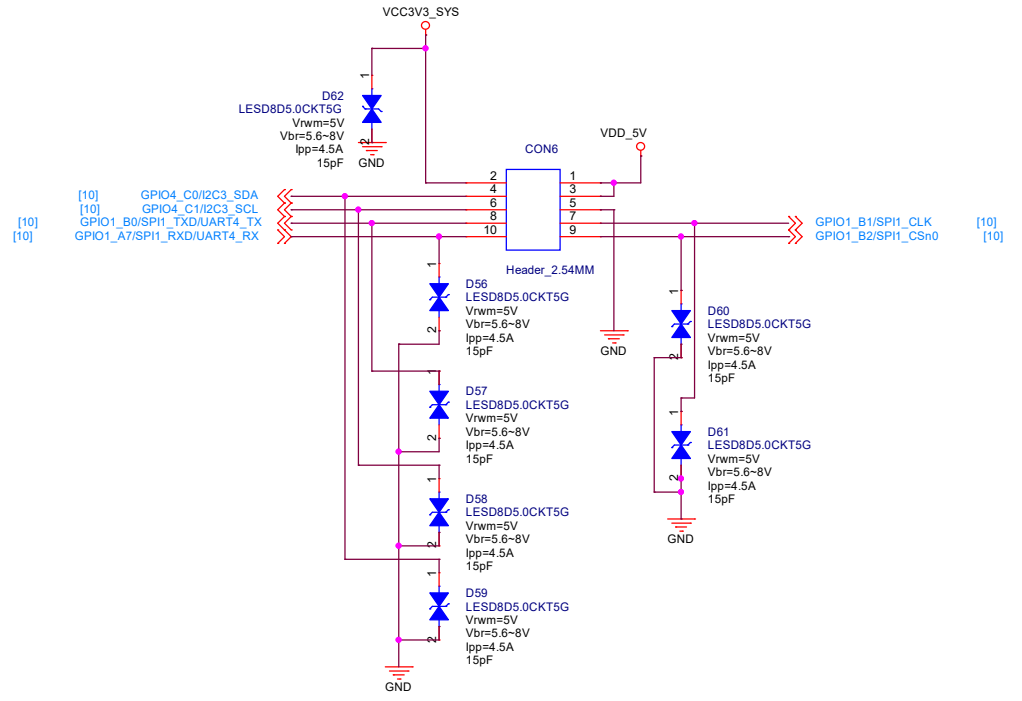
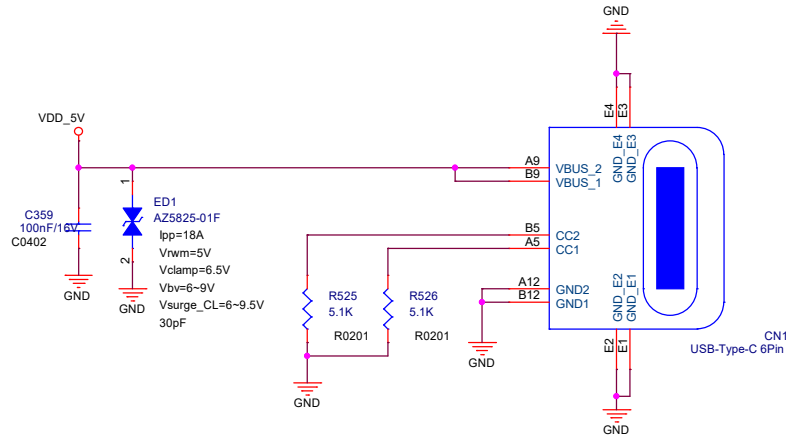
NanoPi R4S (1GB)		
Size	Document Number	Rev
A3	12.Power2-CPU/GPU/etc	2008
Date:	Wednesday, October 28, 2020	Sheet 12 of 19

10/100/1000M Ethernet

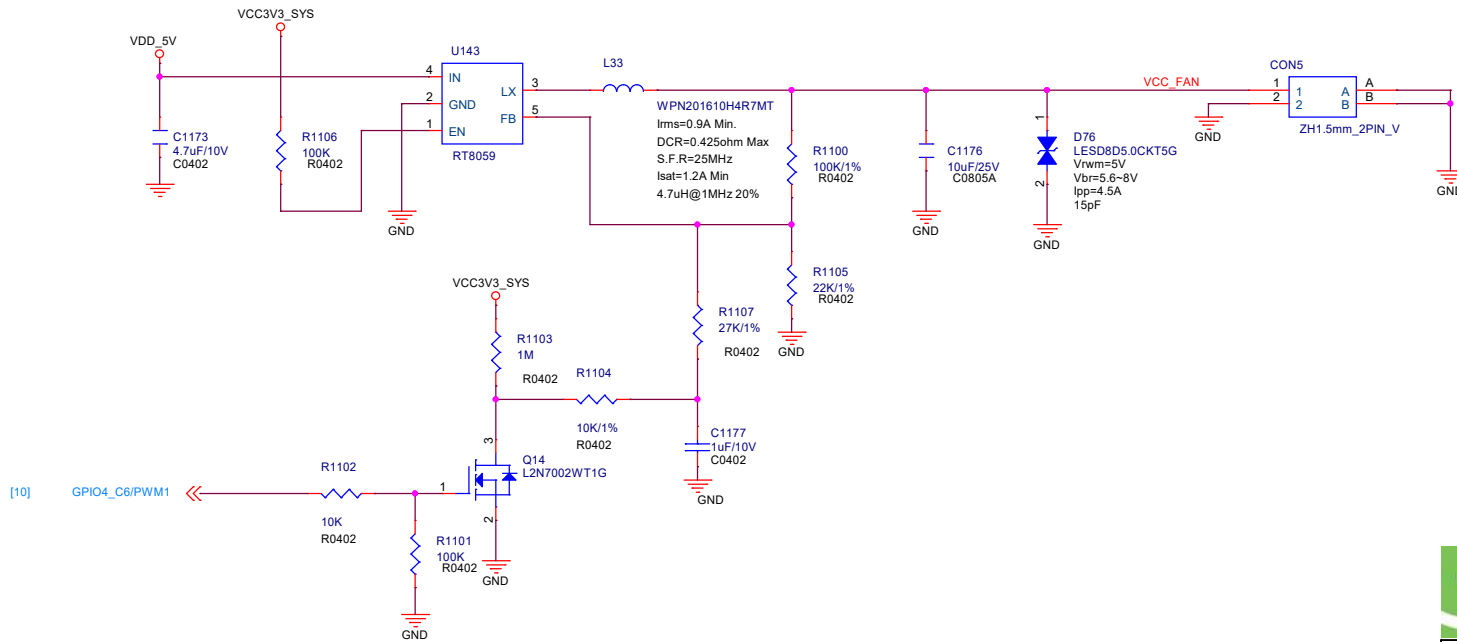


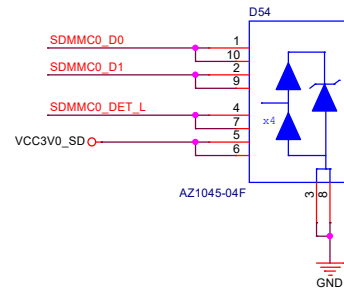
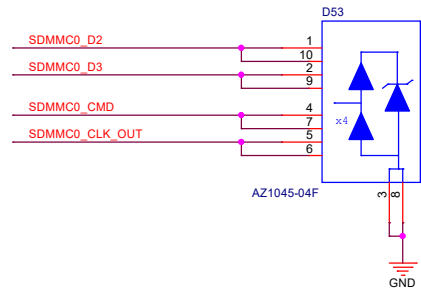
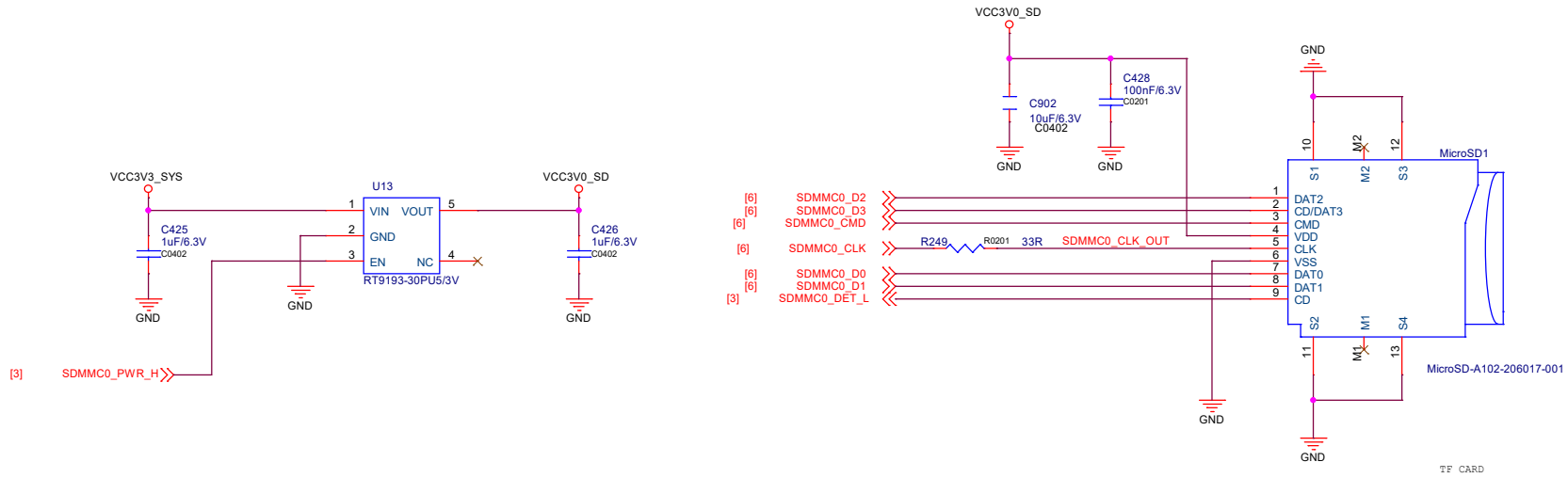


# USB Type-C

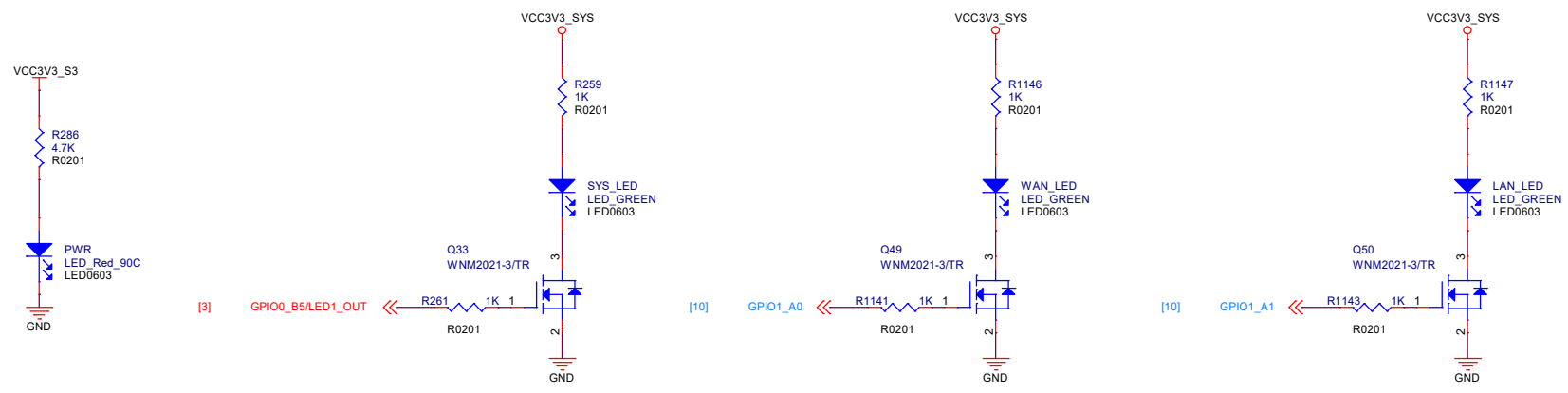
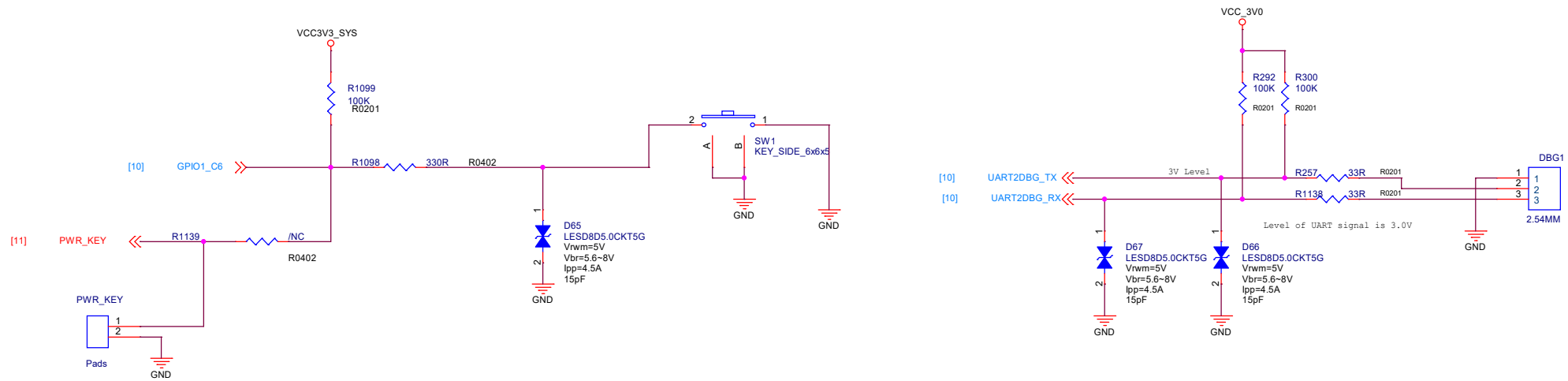


# FAN

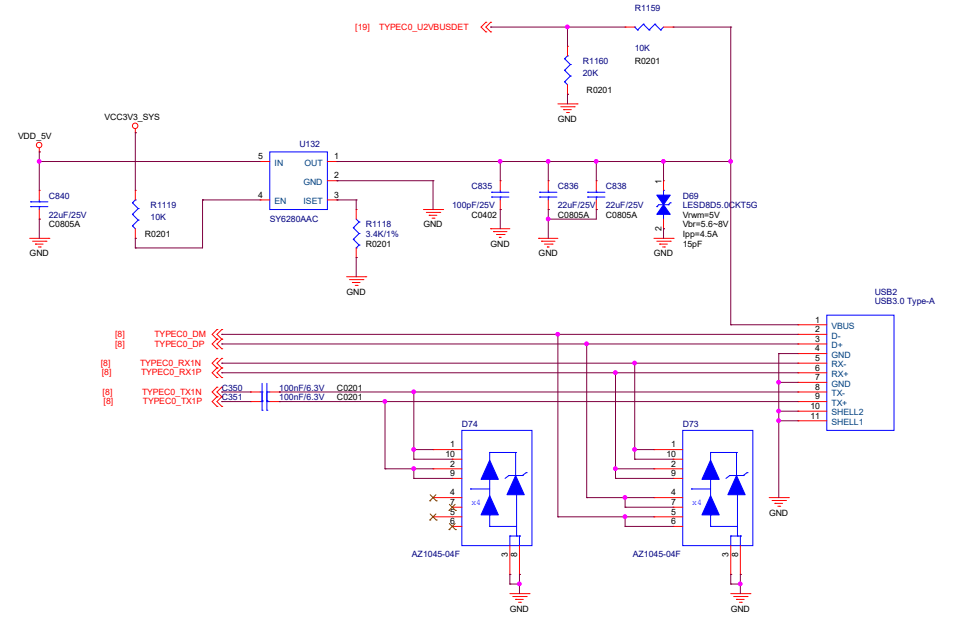
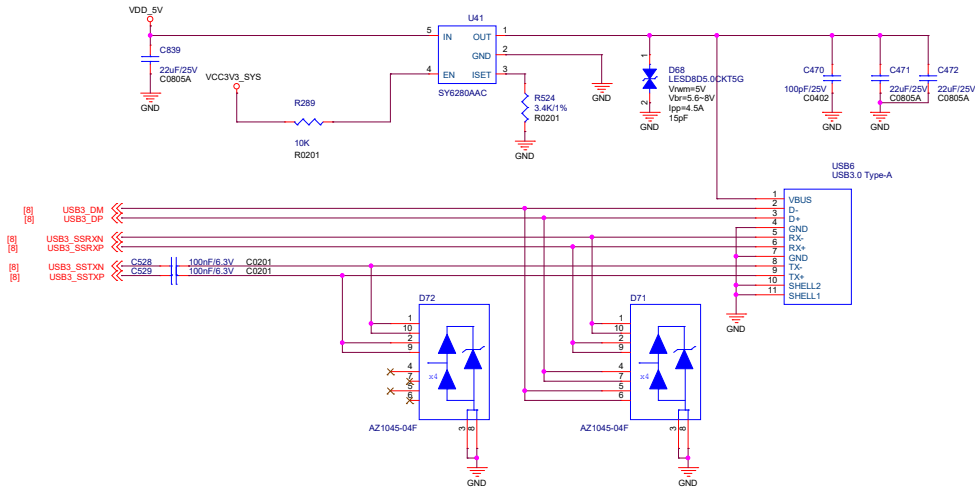




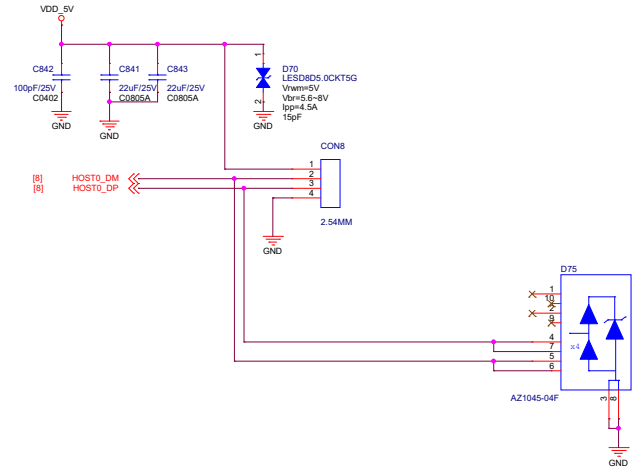




### USB3.0 Host



### USB2.0 Host



5

4

3

2

1

D

D

C

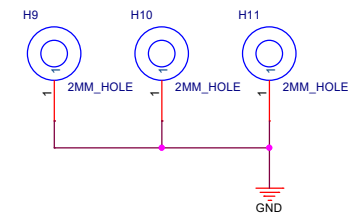
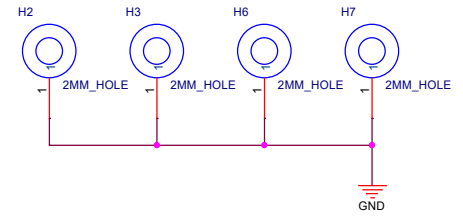
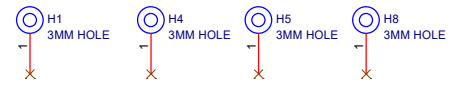
C

B

B

A

A



NanoPI R4S (1GB)		
Size A3	Document Number 19:Holes	Rev 2008
Date:	Wednesday, October 28, 2020	Sheet 19 of 19

5

4

3

2

1