

# NanoPi NEO Air

## Revision

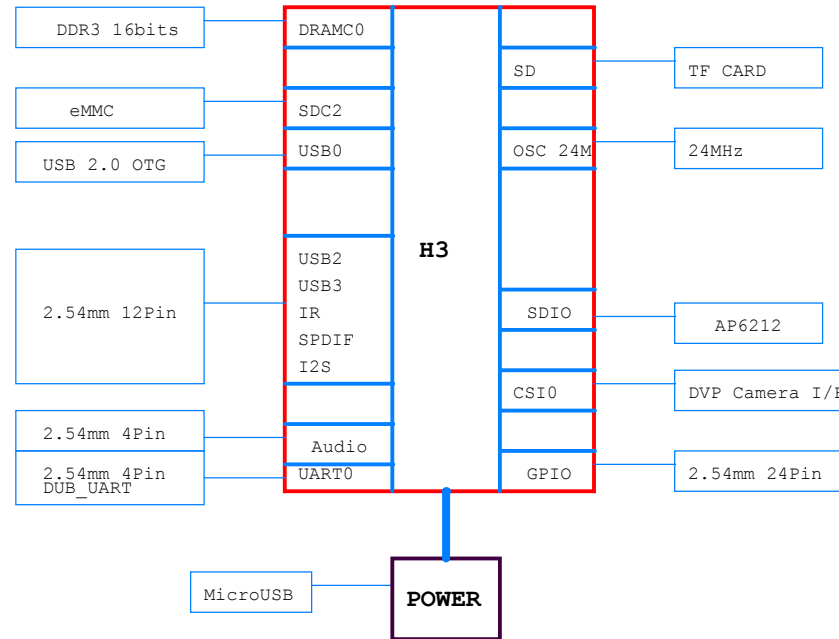
1608 , First Release  
2017/05/18 rename net PWM1/GPIOA6 to GPIOA6

1708,Change the TF Card; Added the 2.54mm Audio header

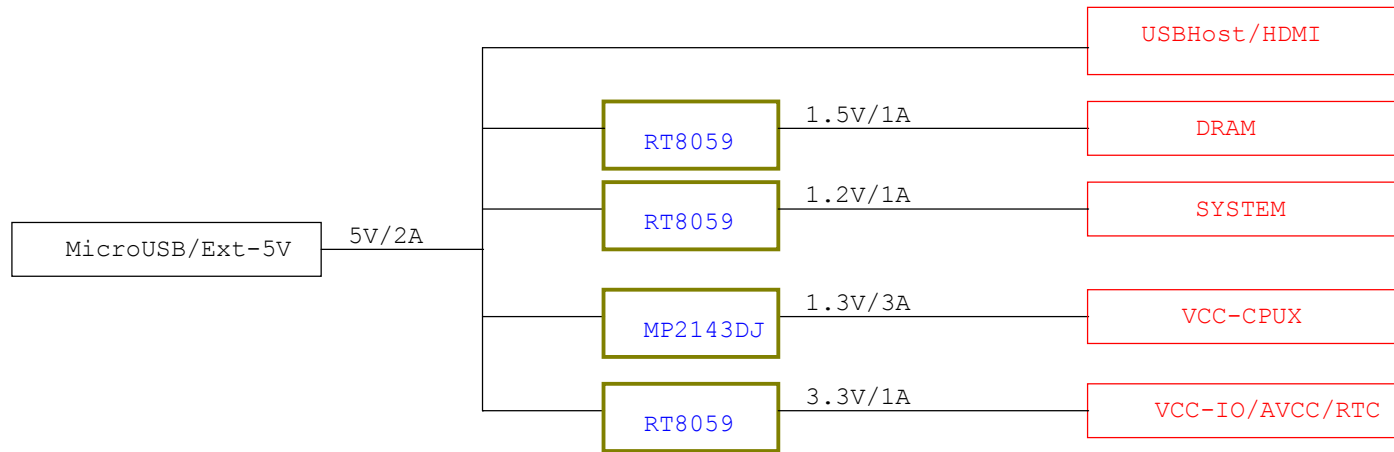


NanoPi NEO Air		
Size A3	Document Number 01:Title	Rev V1.1 1708
Date: Friday, October 13, 2017	Sheet 1	of 13

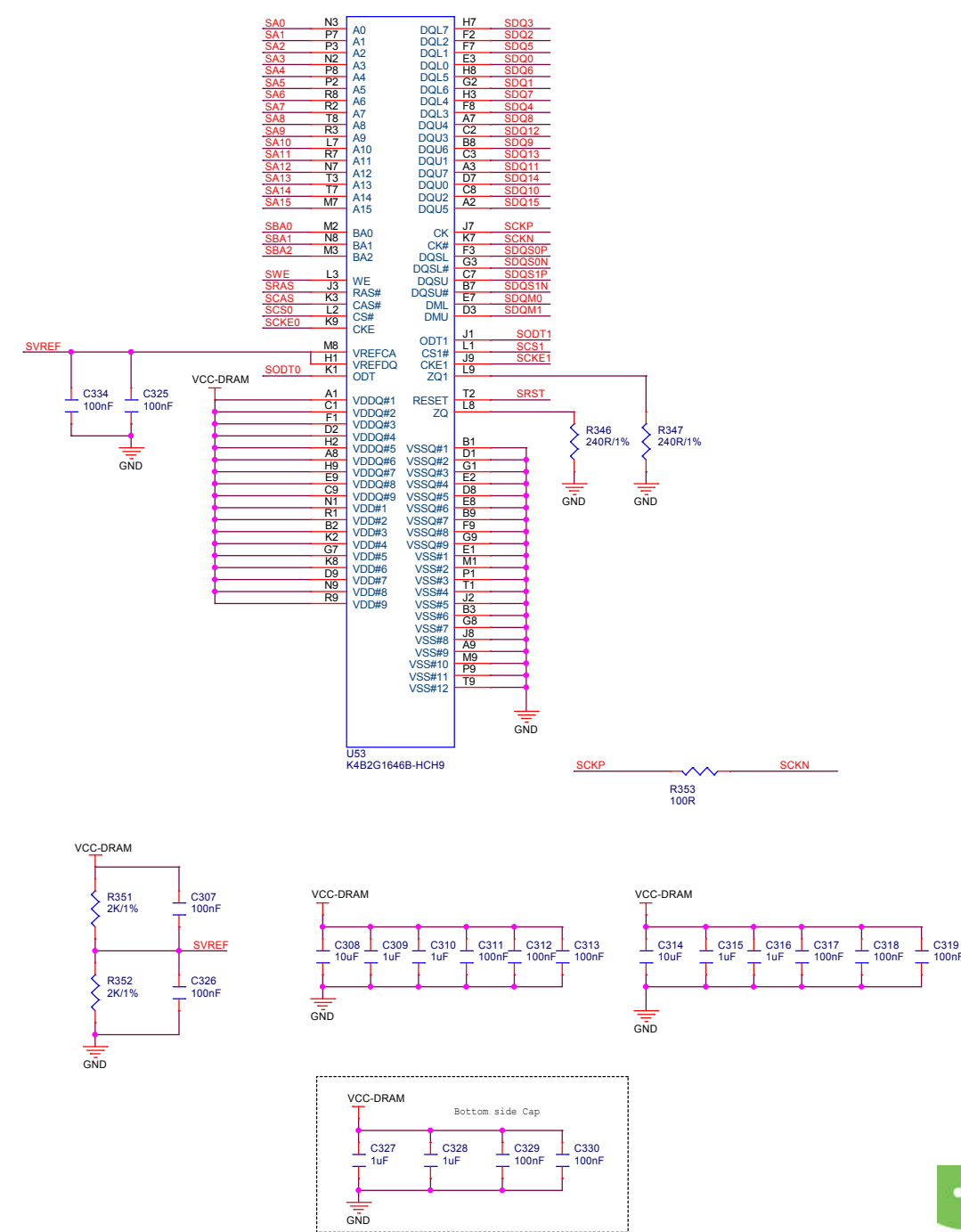
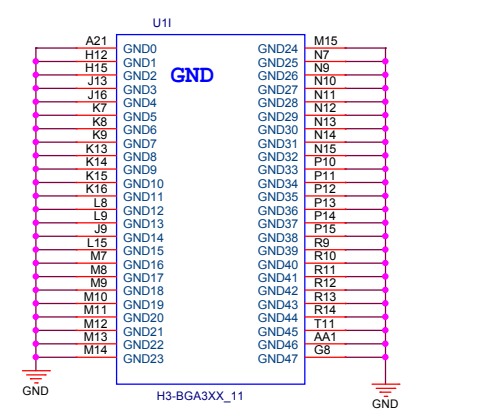
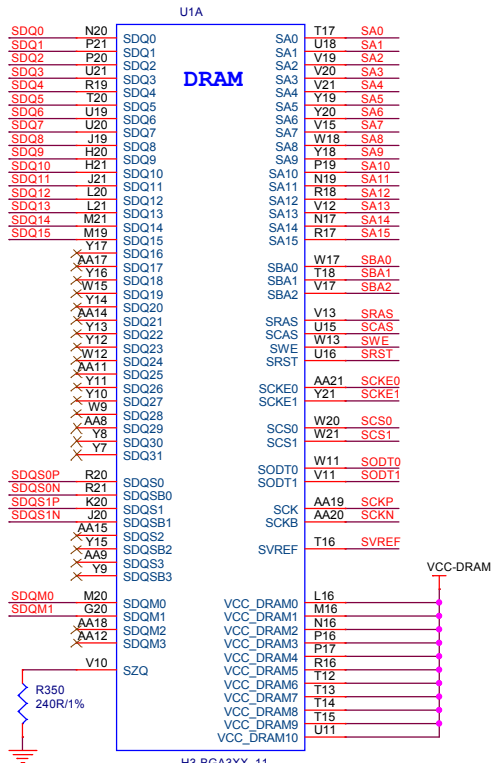
# BLOCK



# POWER TREE



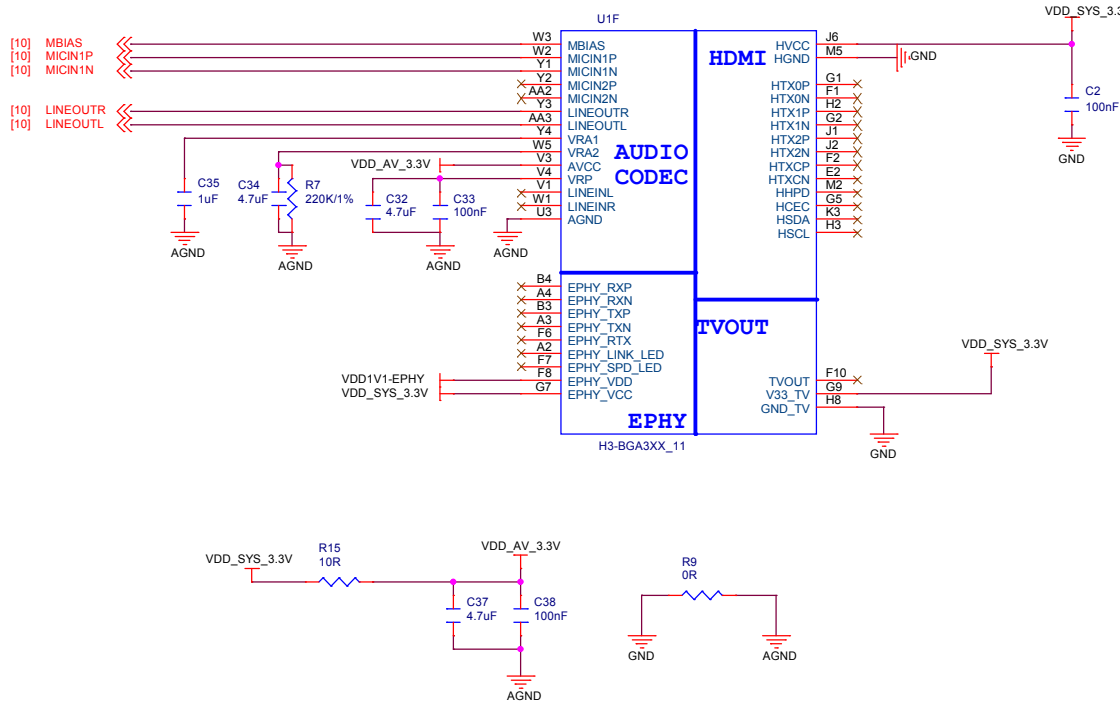
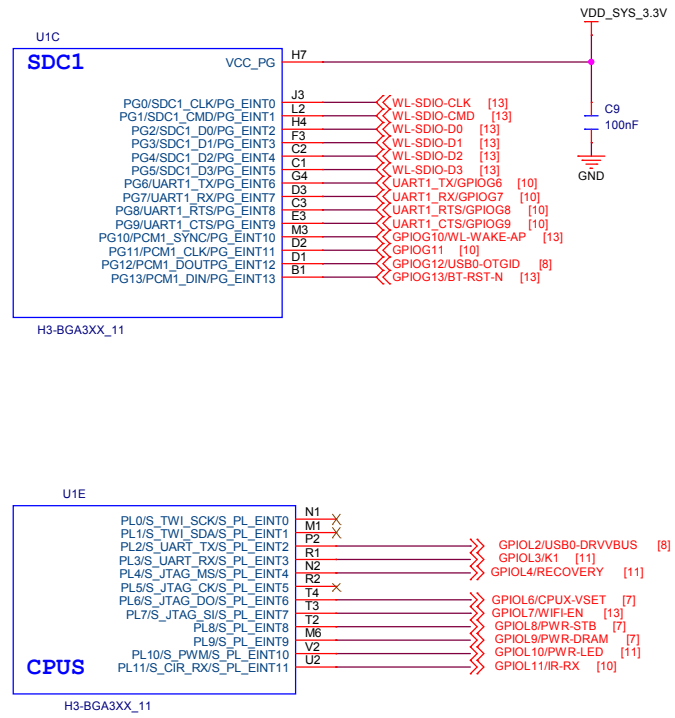
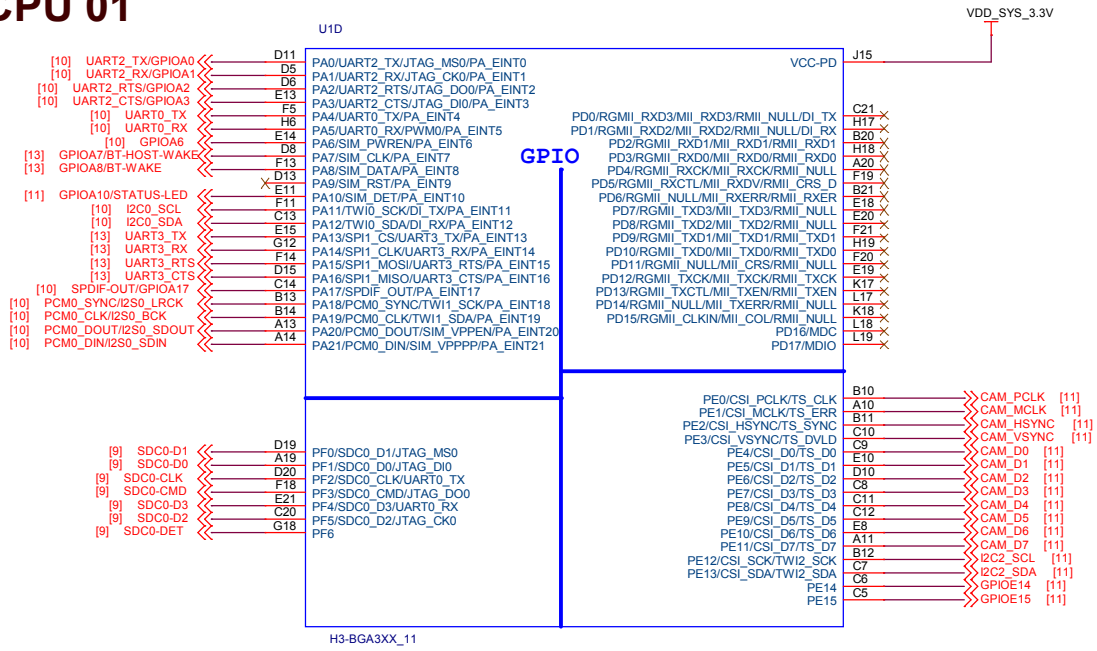
# DDR3 16x1



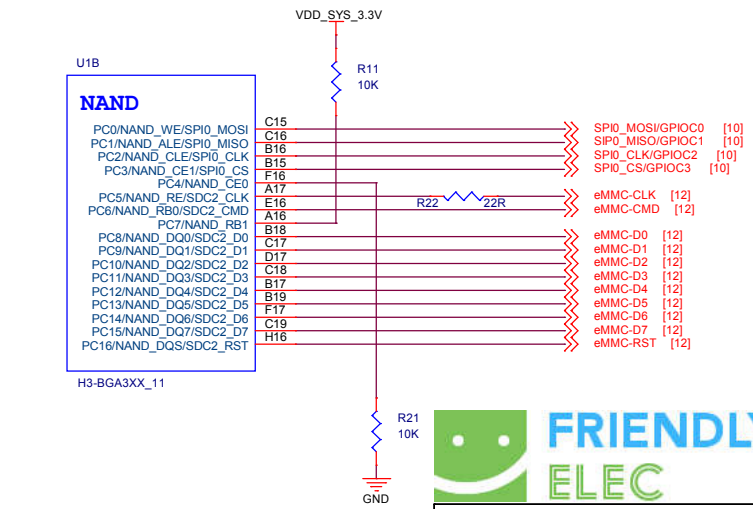
NanoPi NEO Air

Size A3	Document Number 04:DDR3 16X1	Rev V1.1 1708
Date: Friday, October 13, 2017	Sheet 4	of 13

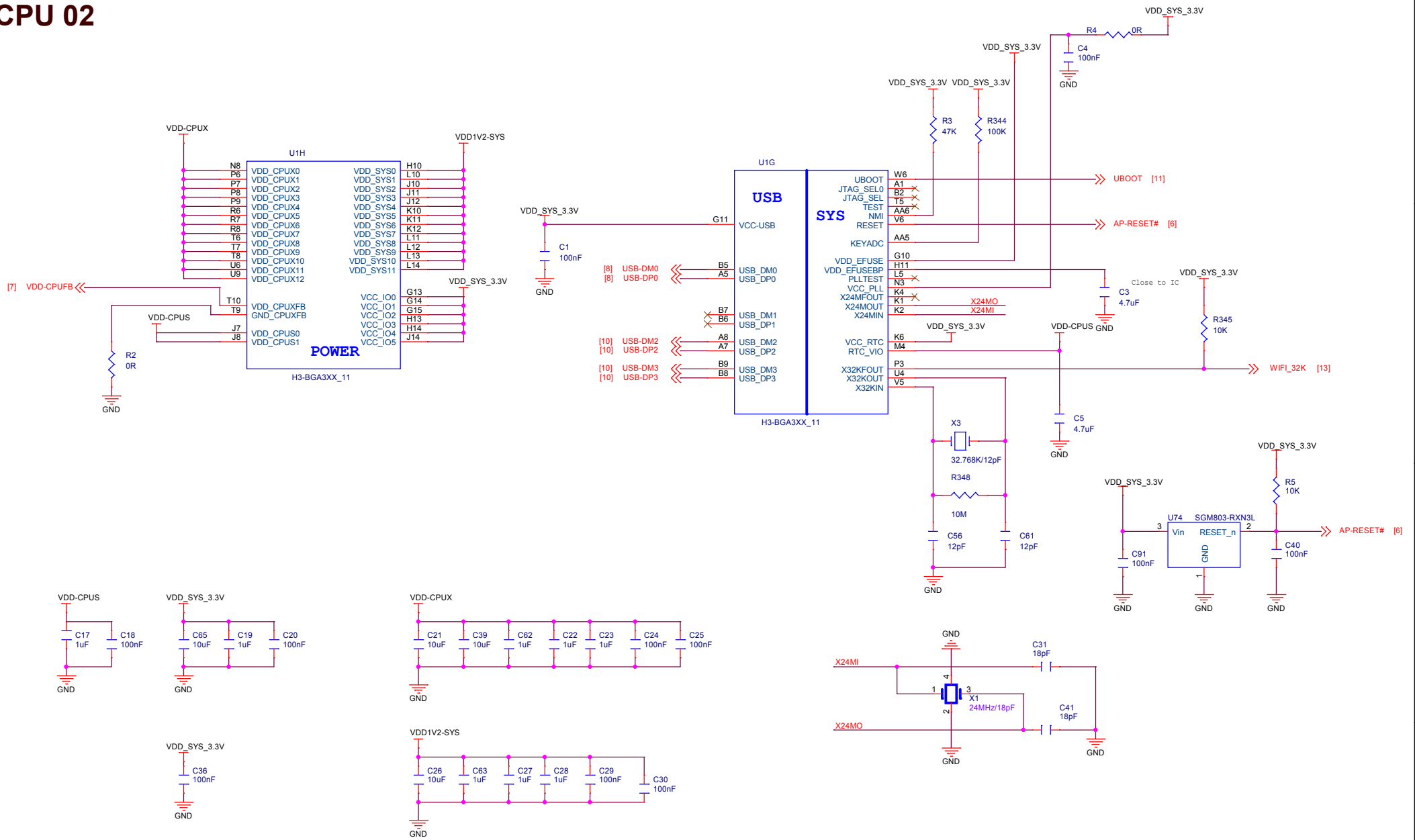
# CPU 01



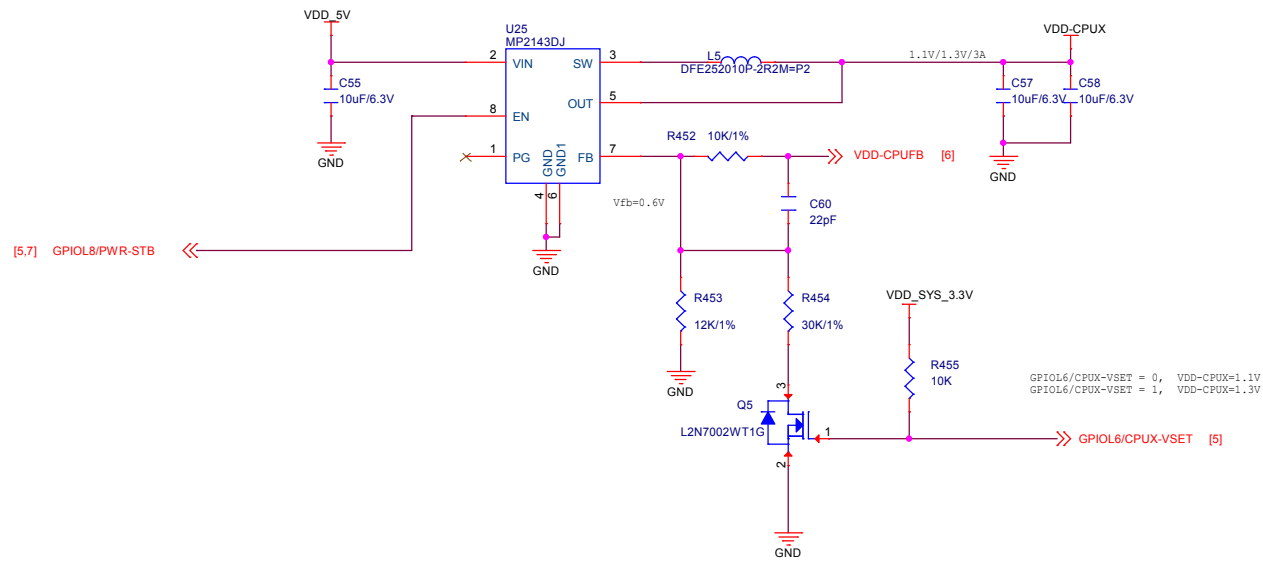
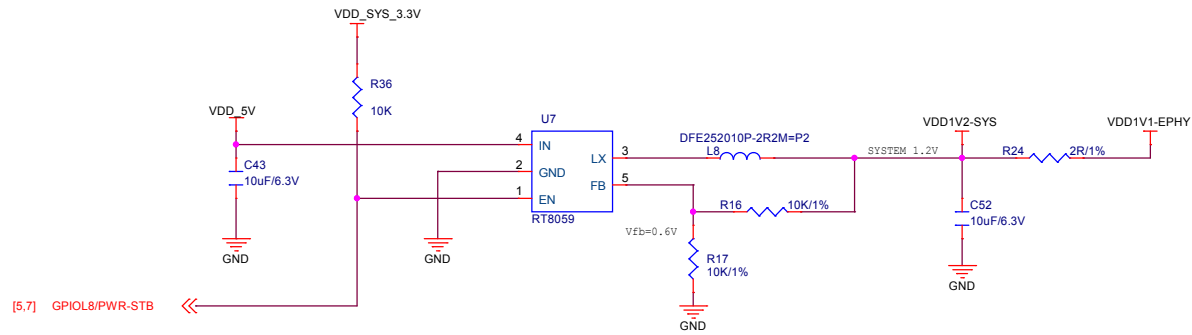
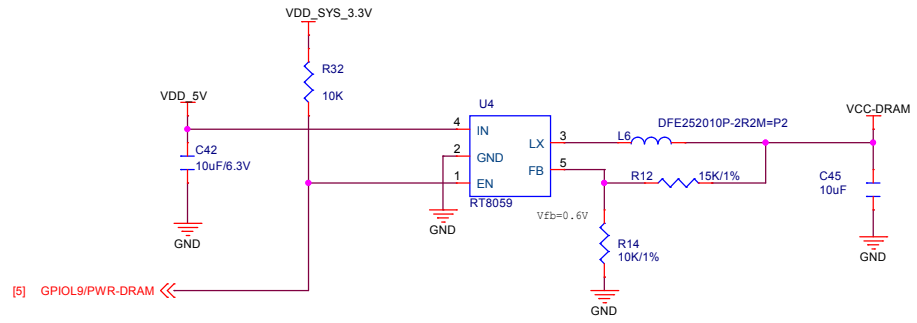
	PWRON/WORK	STANDBY	PWROFF
PWR-STB	1	0	0
PWR-DRAM	1	1	0



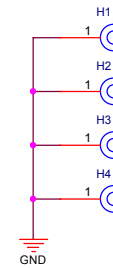
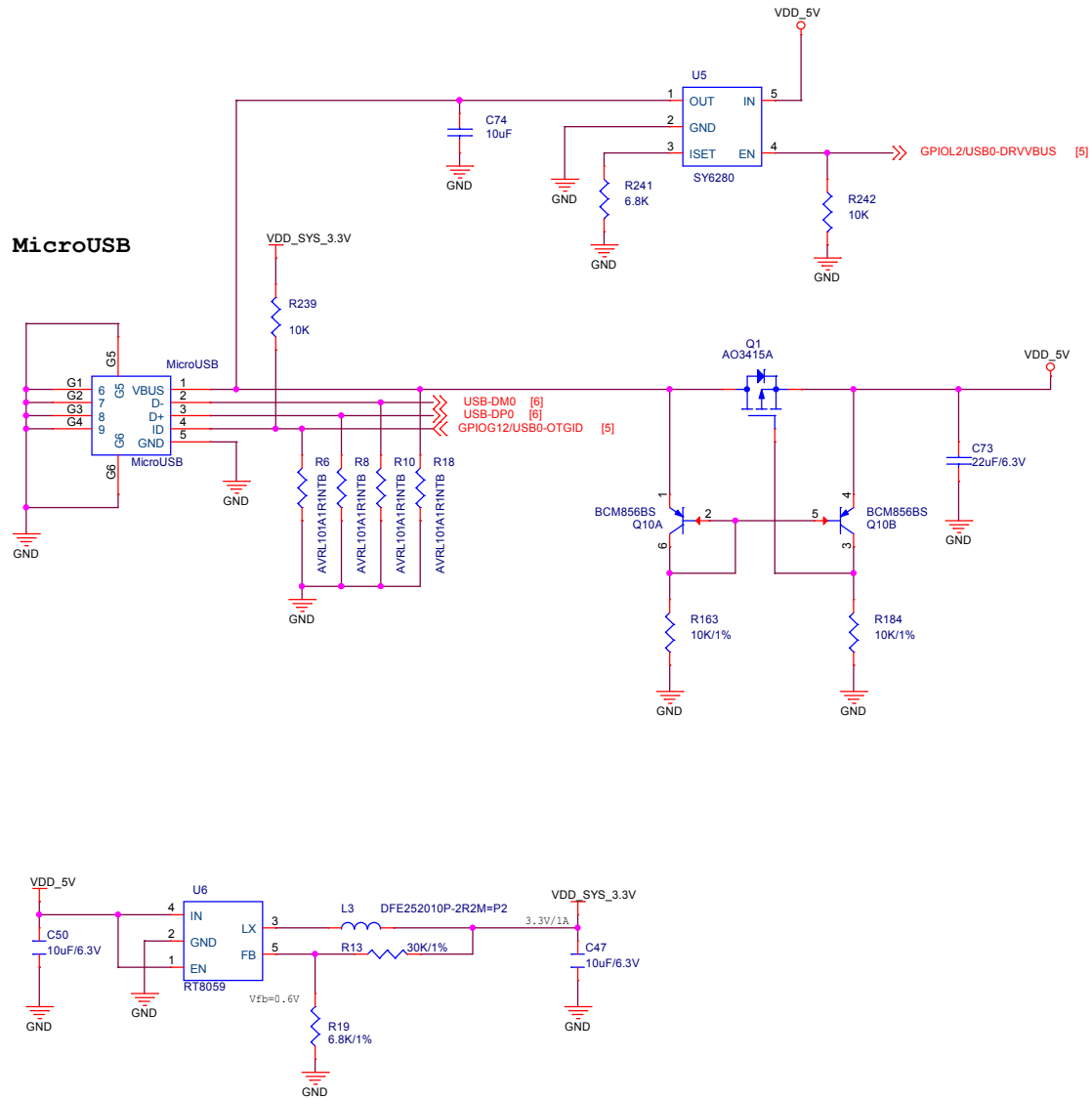
# CPU 02



# POWER 01

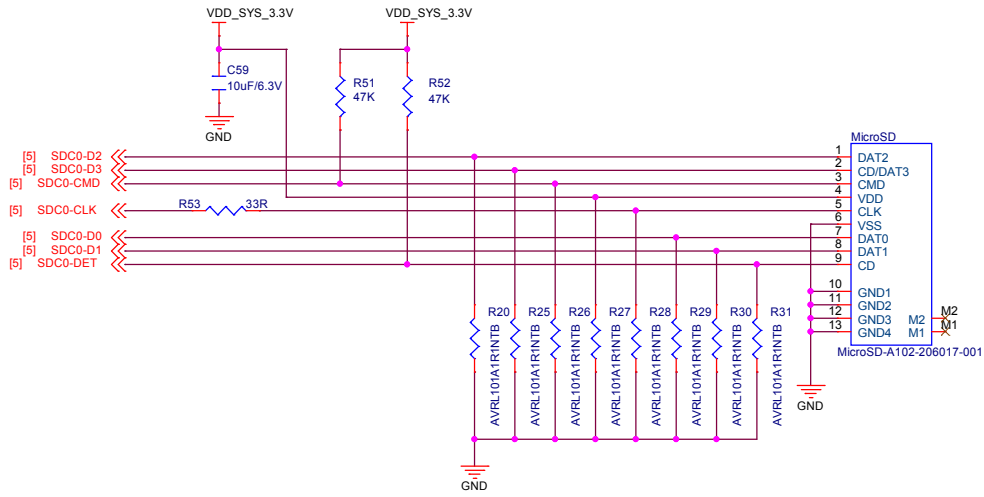


# POWER 02



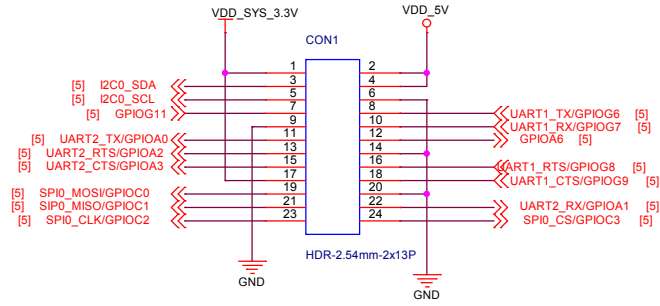


# MicroSD

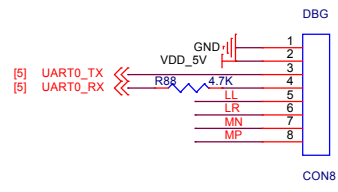
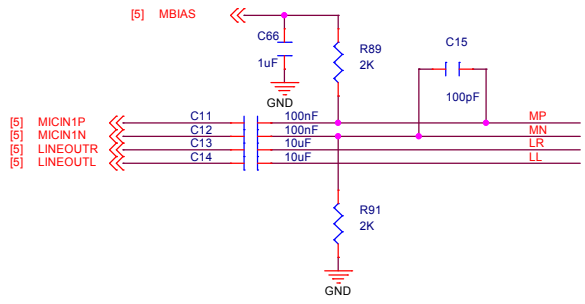
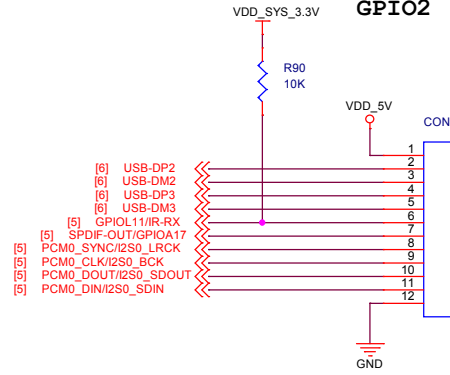


# GPIO

## GPIO1



## GPIO2





# eMMC

