

# NanoPC T2

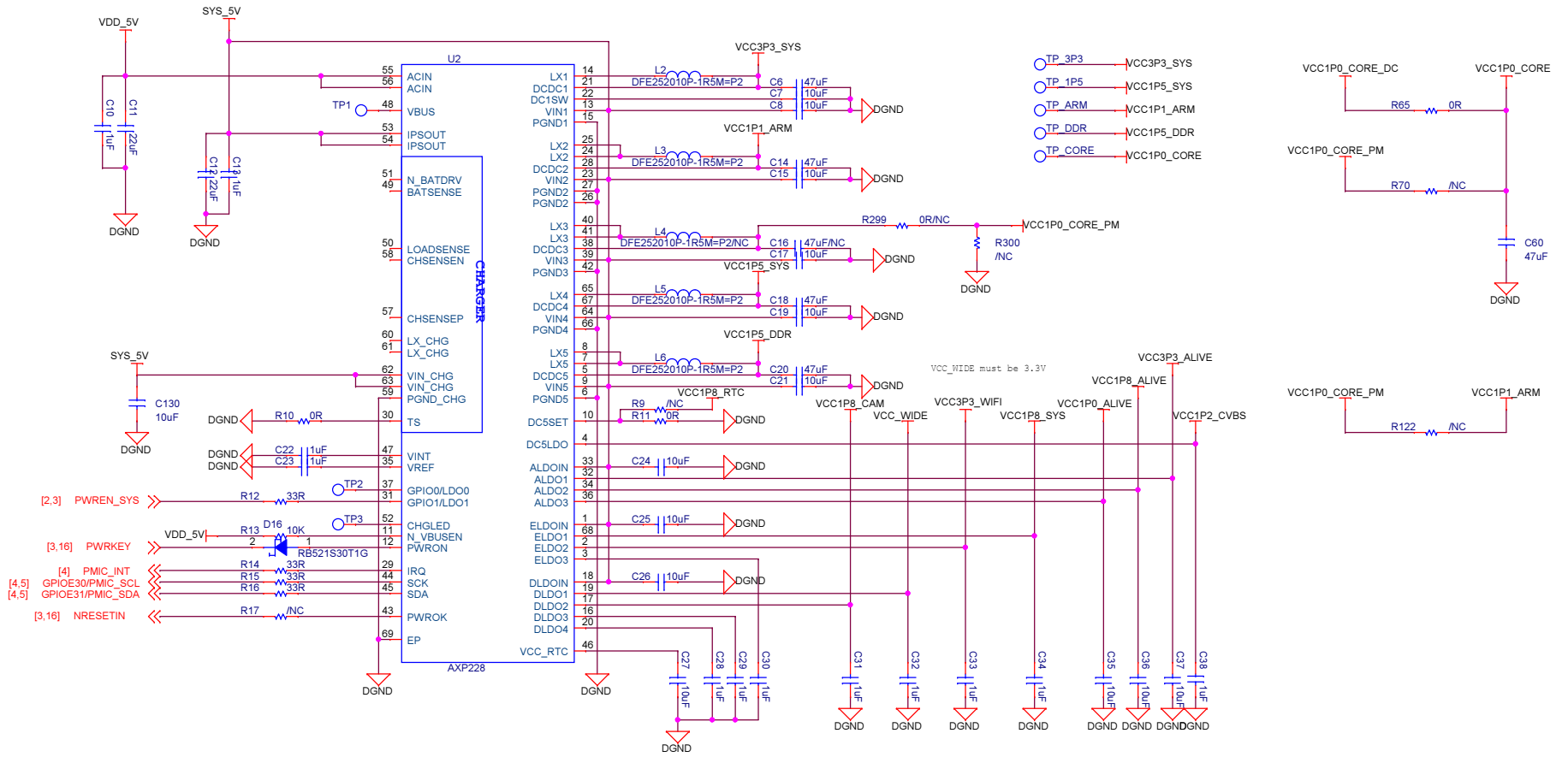
Revision

1601B , First Release

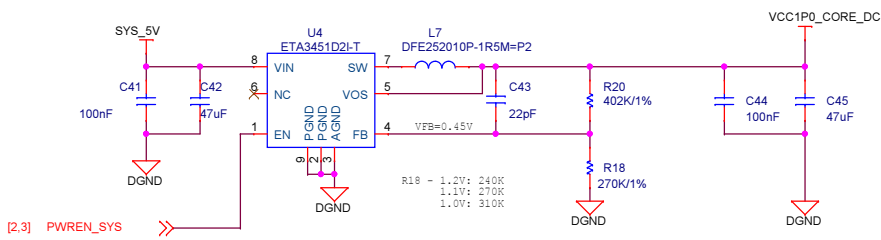
**FRIENDLYARM**

NanoPC-T2		
Size A3	Document Number 01.Title	Rev 1601B
Date:	Monday, February 15, 2016	Sheet 1 of 16

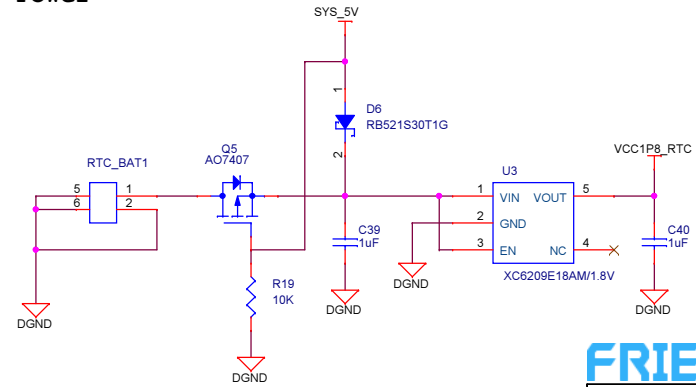
PMIC



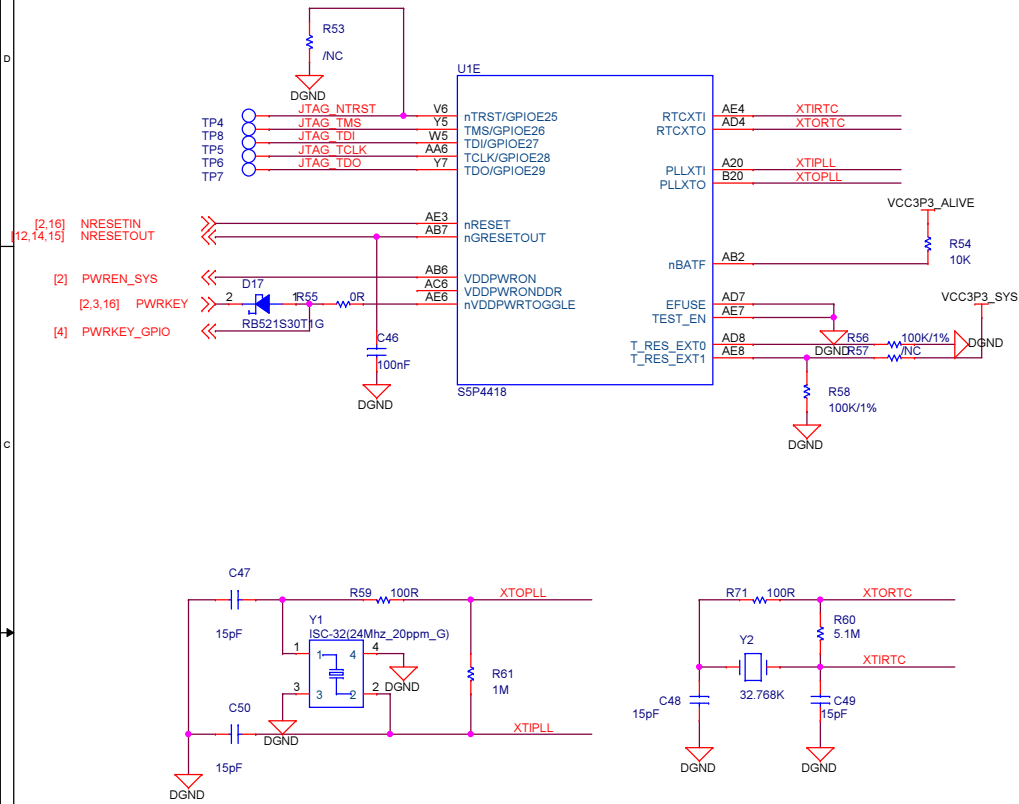
VCC1P0\_CORE : 1.12V



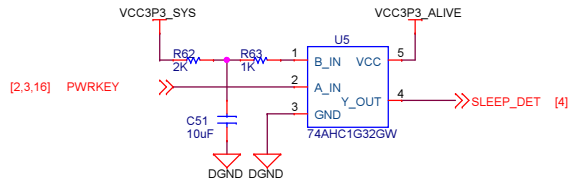
RTC Power



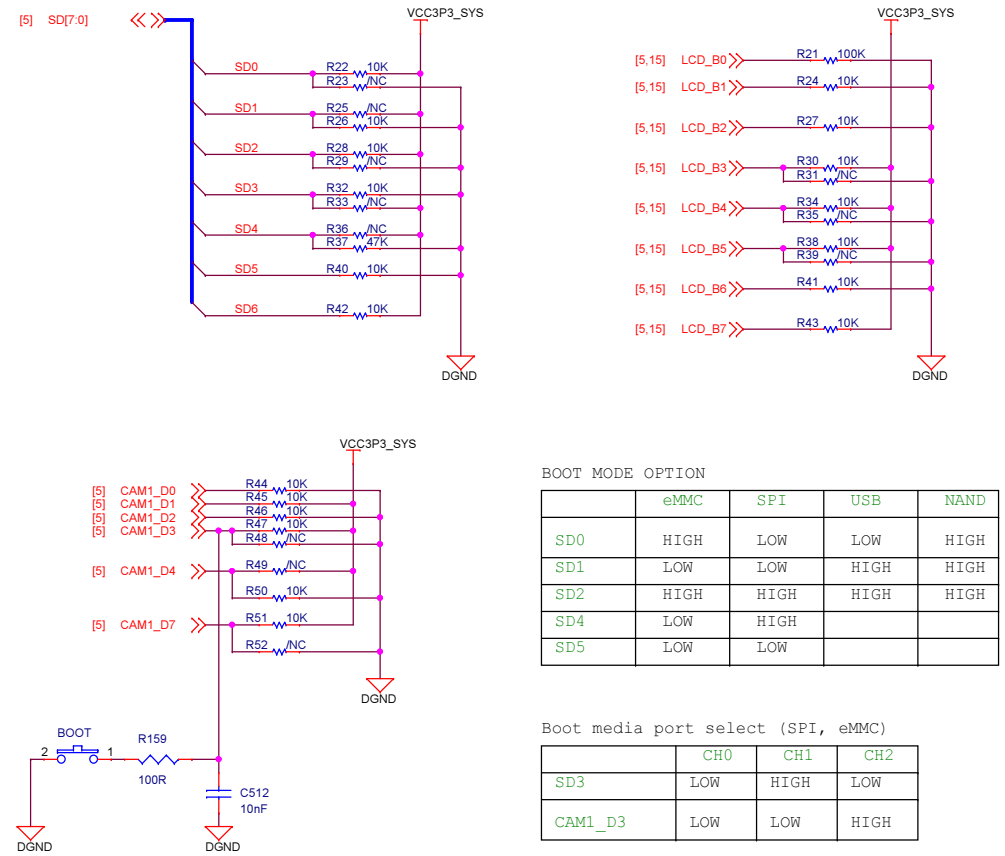
## System Reset, Clocks



## Sleep Detect



## Boot Mode Config



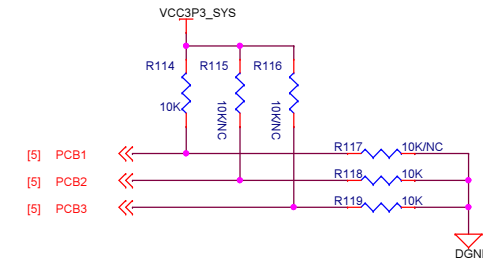
BOOT MODE OPTION

	eMMC	SPI	USB	NAND
SD0	HIGH	LOW	LOW	HIGH
SD1	LOW	LOW	HIGH	HIGH
SD2	HIGH	HIGH	HIGH	HIGH
SD4	LOW	HIGH		
SD5	LOW	LOW		

Boot media port select (SPI, eMMC)

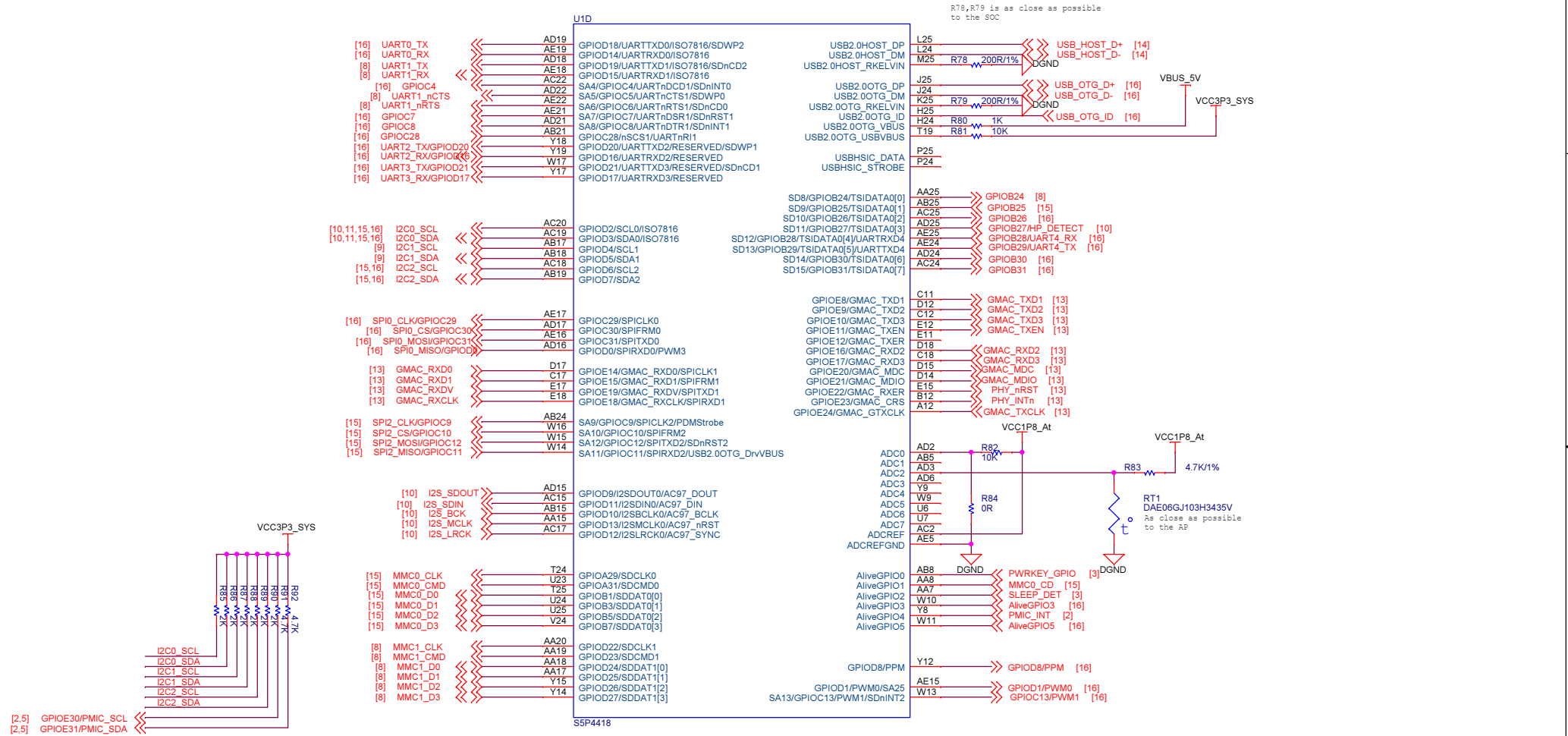
	CH0	CH1	CH2
SD3	LOW	HIGH	LOW
CAM1_D3	LOW	LOW	HIGH

## PCB Version



**FRIENDLYARM**

# AP Peripherals

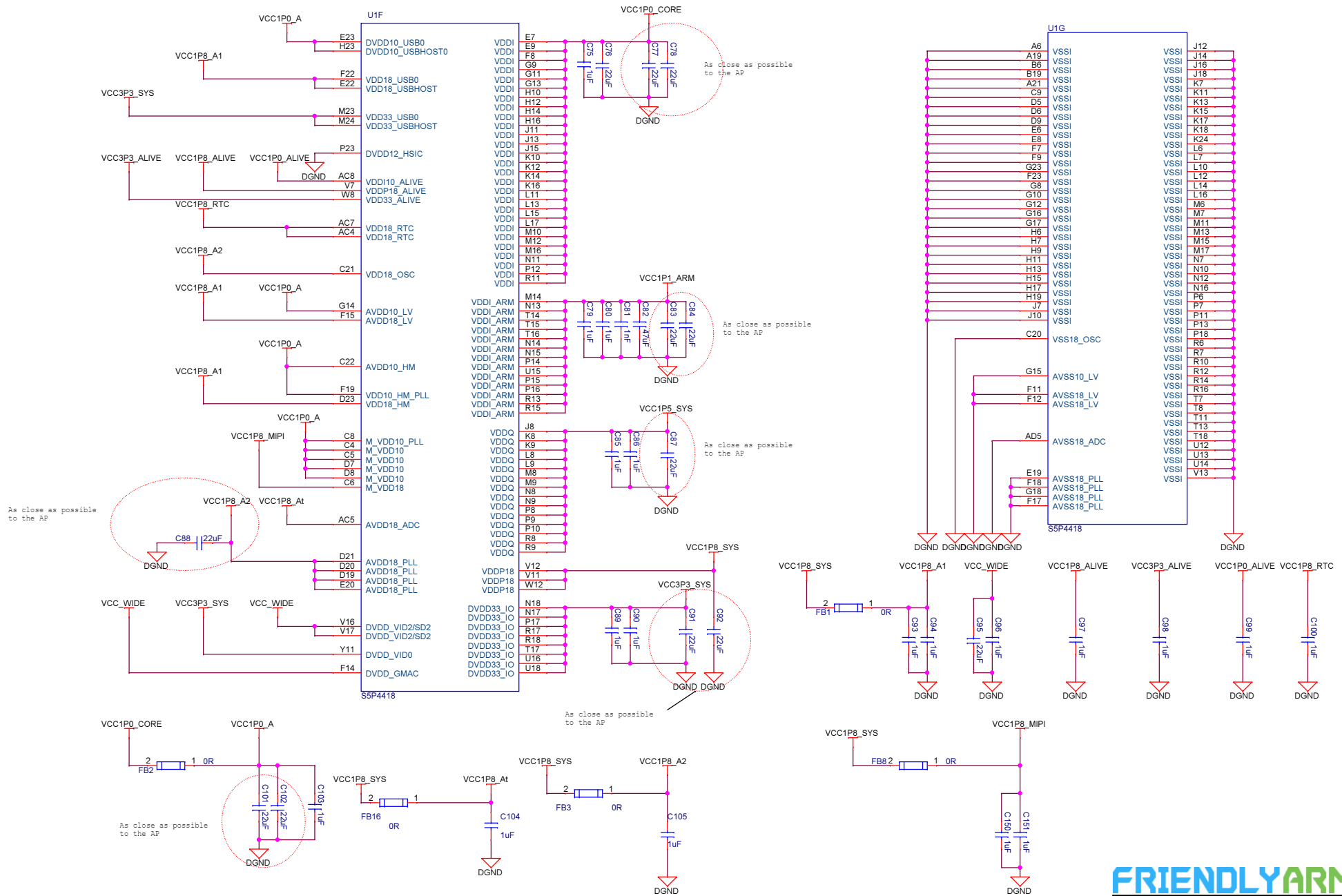


I2C CH0 : Camera  
 I2C CH1 : HDMI EDID  
 I2C CH2 : Touch  
 PMIC\_I2C : PMIC

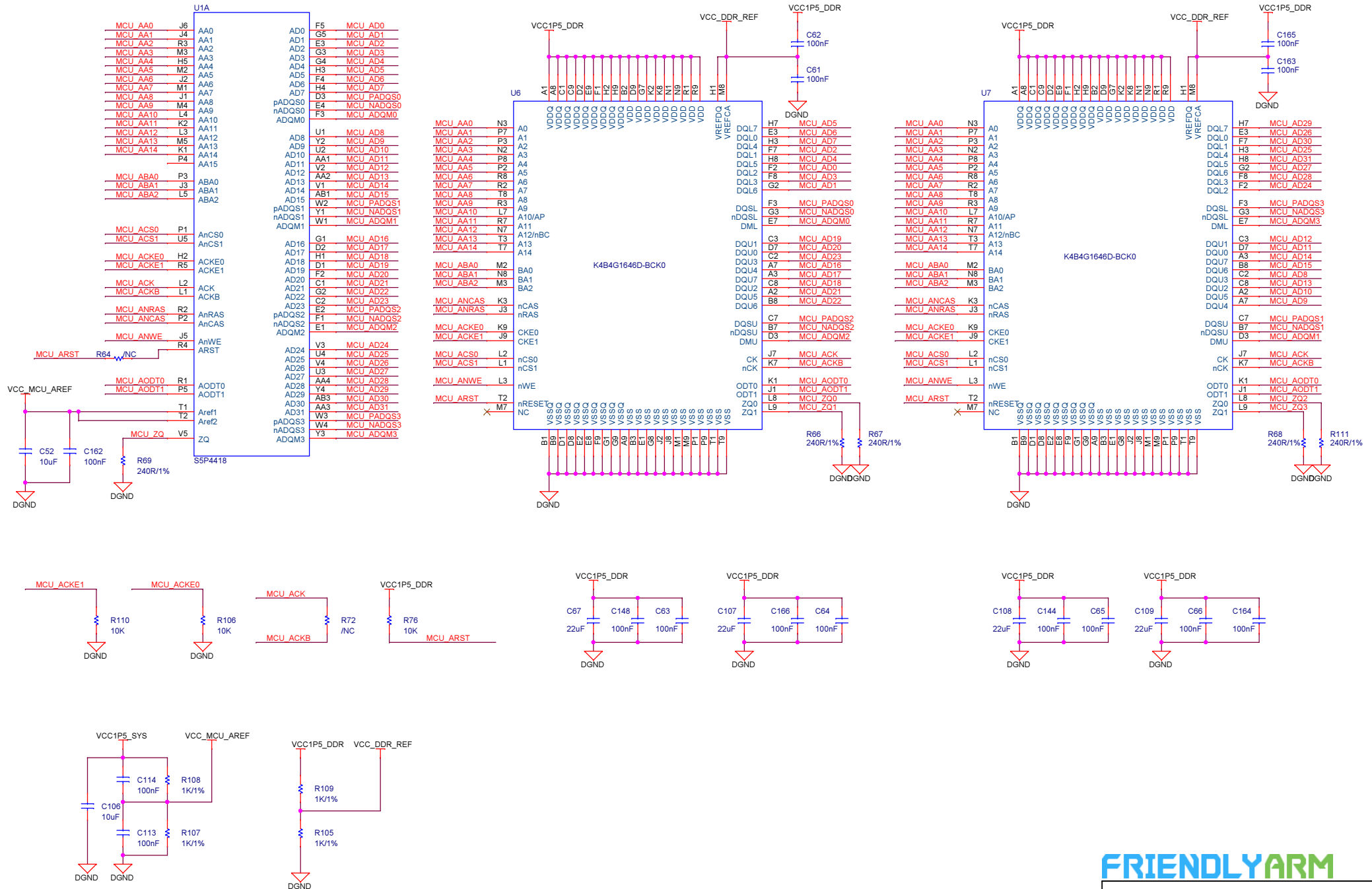




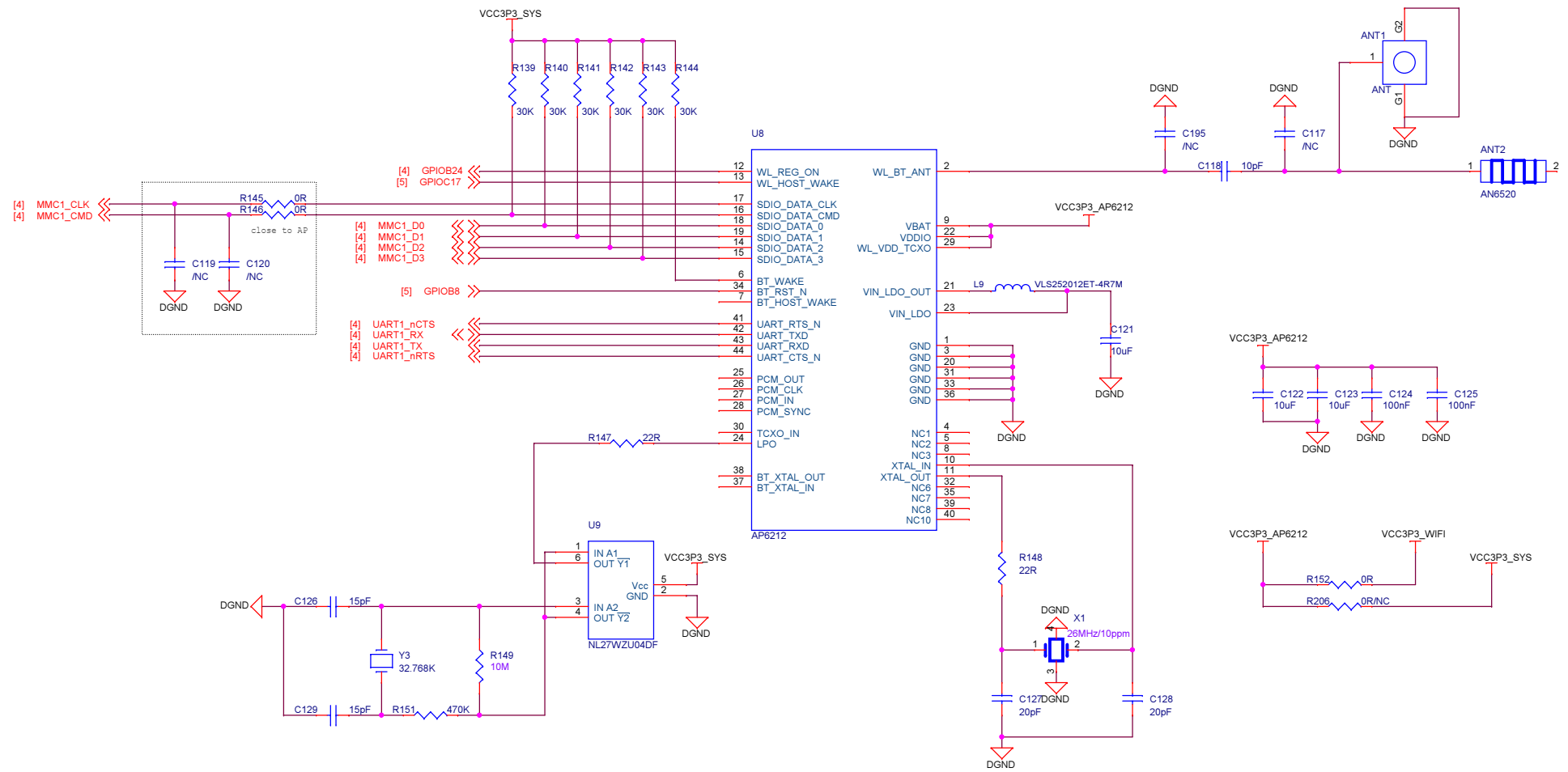
# AP Power



# DDR3

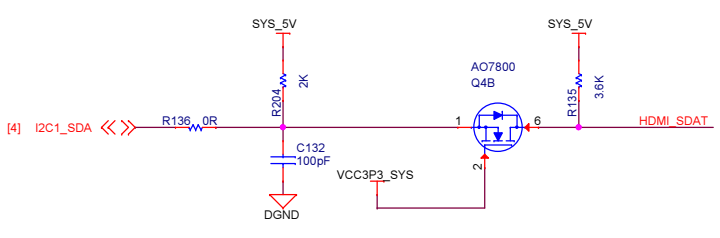
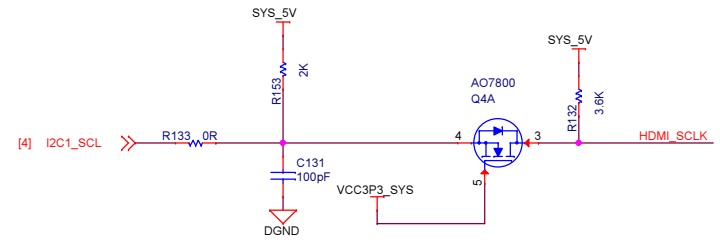
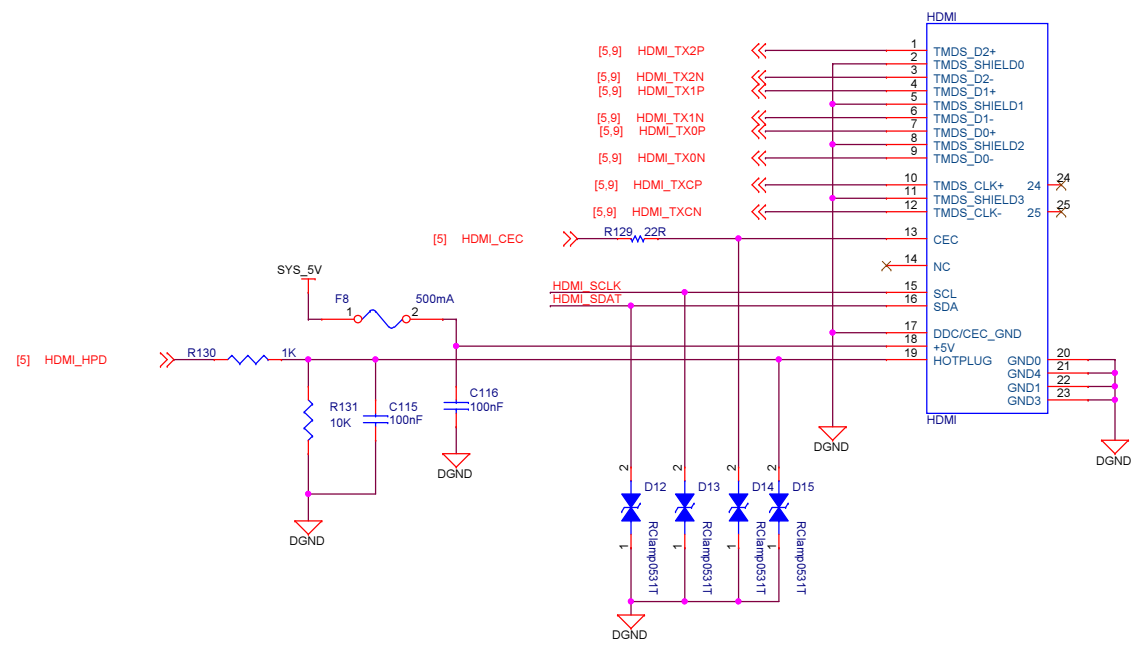
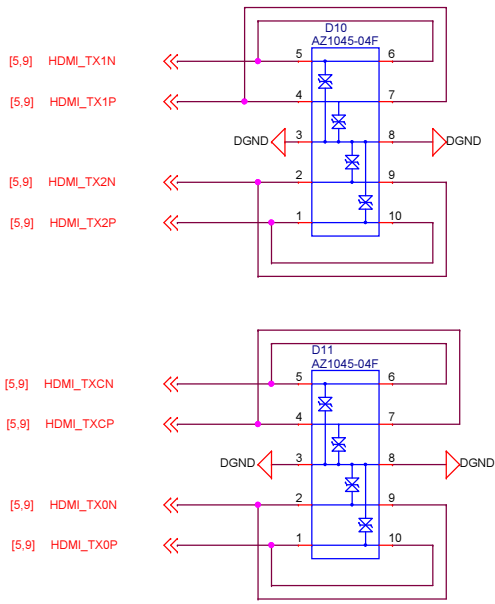


# Wi-Fi/Bluetooth





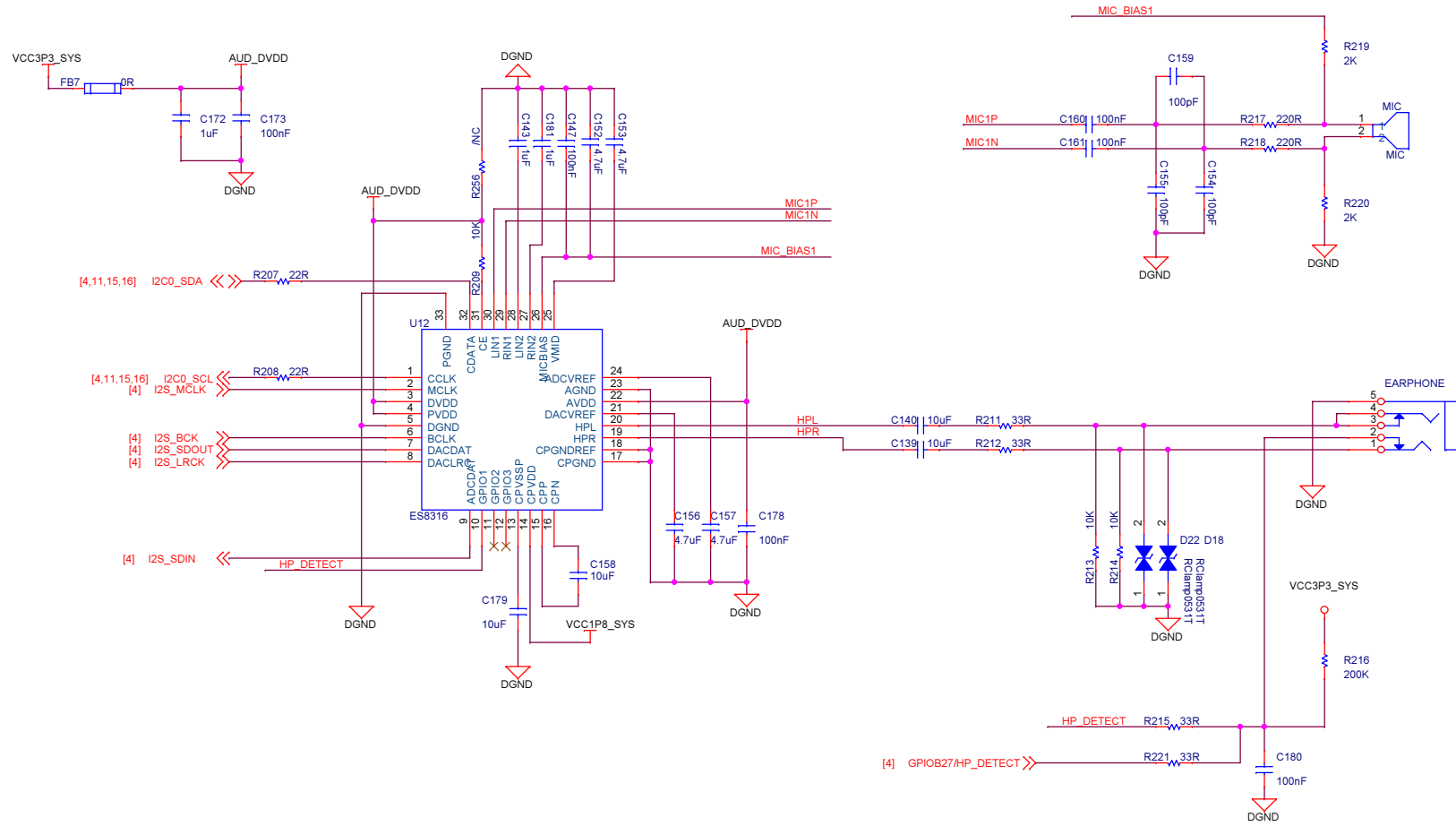
# HDMI



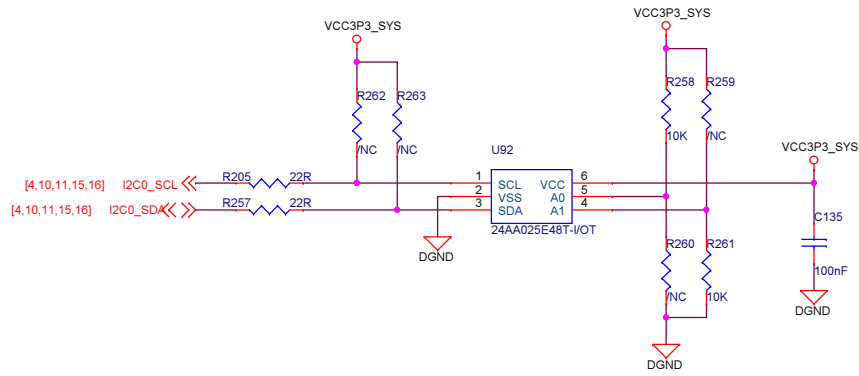
**FRIENDLYARM**

NanoPC-T2		
Size A3	Document Number 09.HDMI	Rev 1601B
Date Monday, February 15, 2016	Sheet 9	of 16

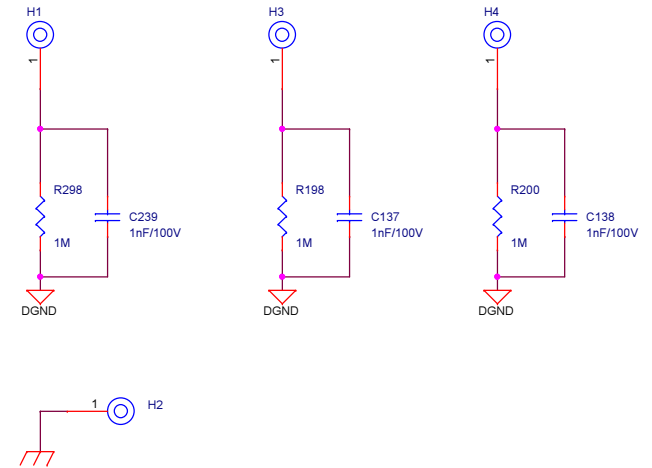
# Audio



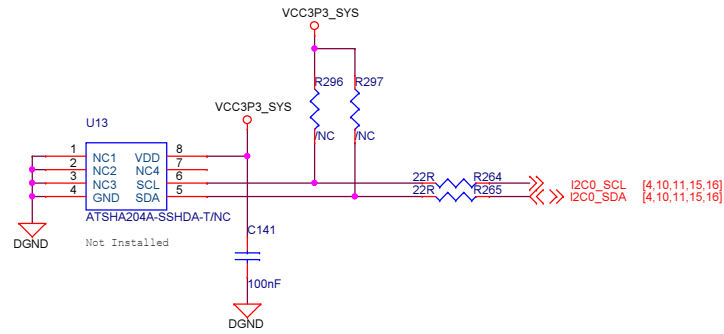
## EEPROM with MAC Address



## Mounting Holes



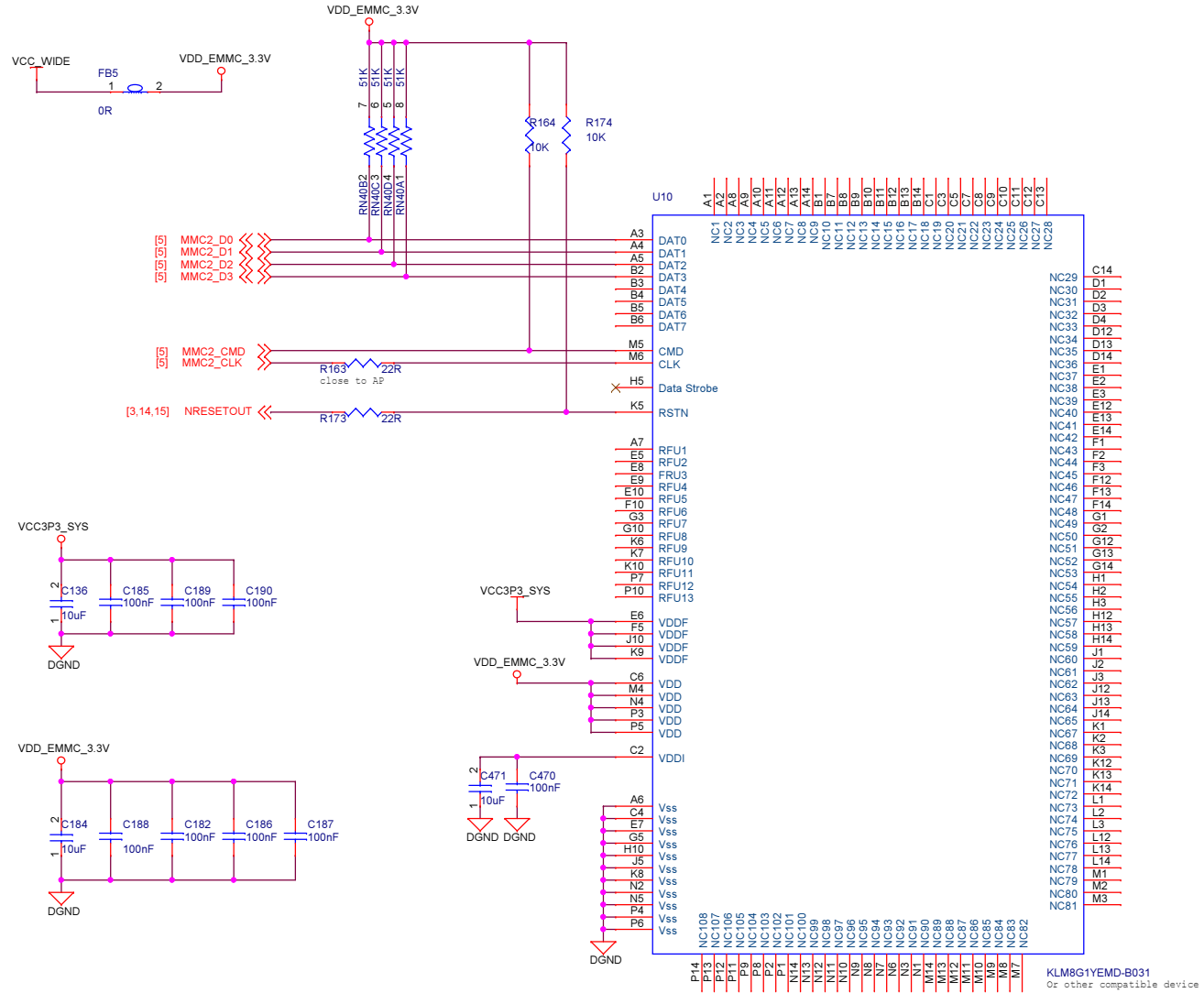
## CryptoAuthentication



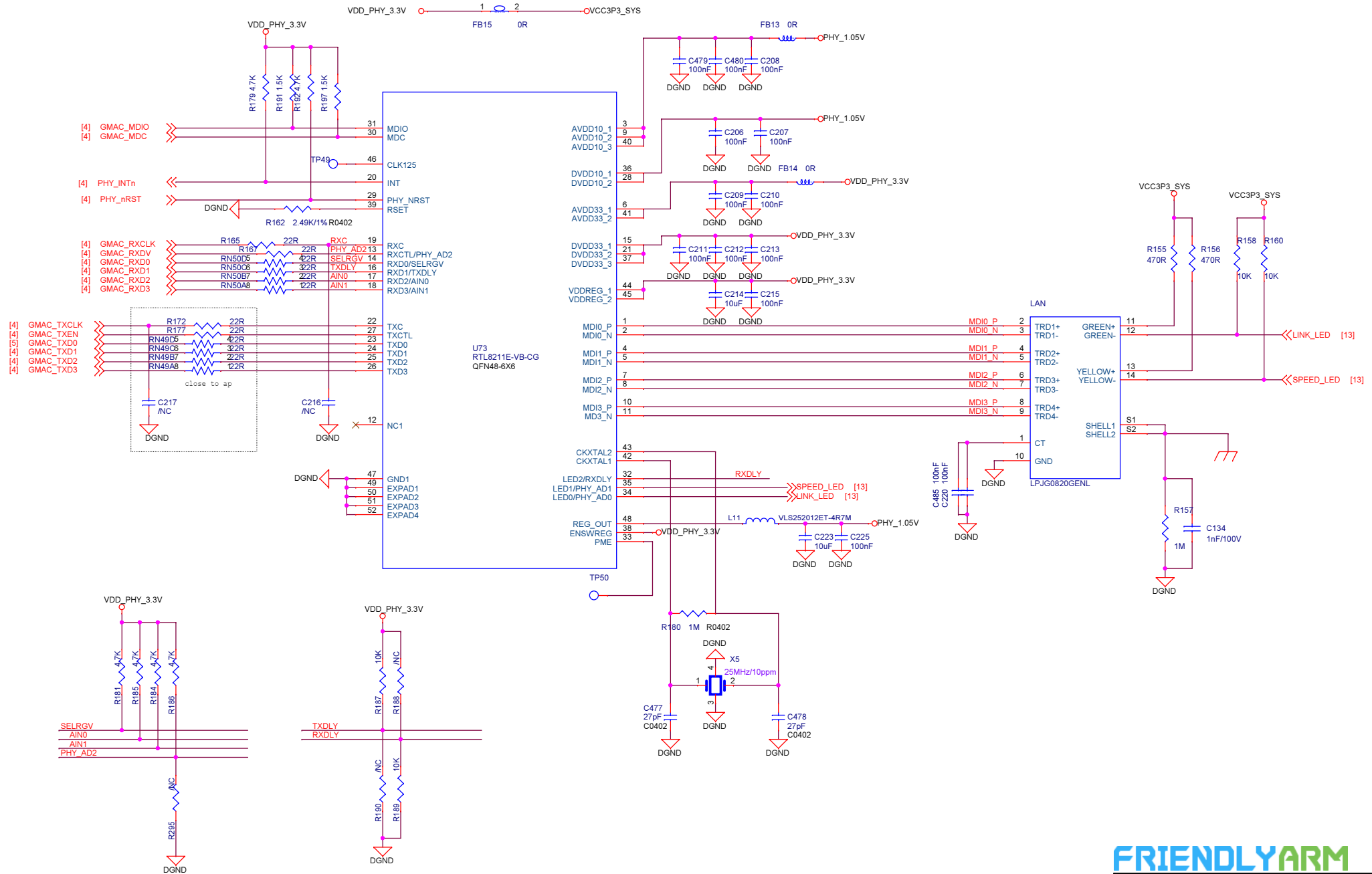
**FRIENDLYARM**

NanoPC-T2		
Size	Document Number	Rev
A3	11.EEPROM, SHA-256, Holes	1601B
Date:	Monday, February 15, 2016	Sheet 11 of 16

eMMC

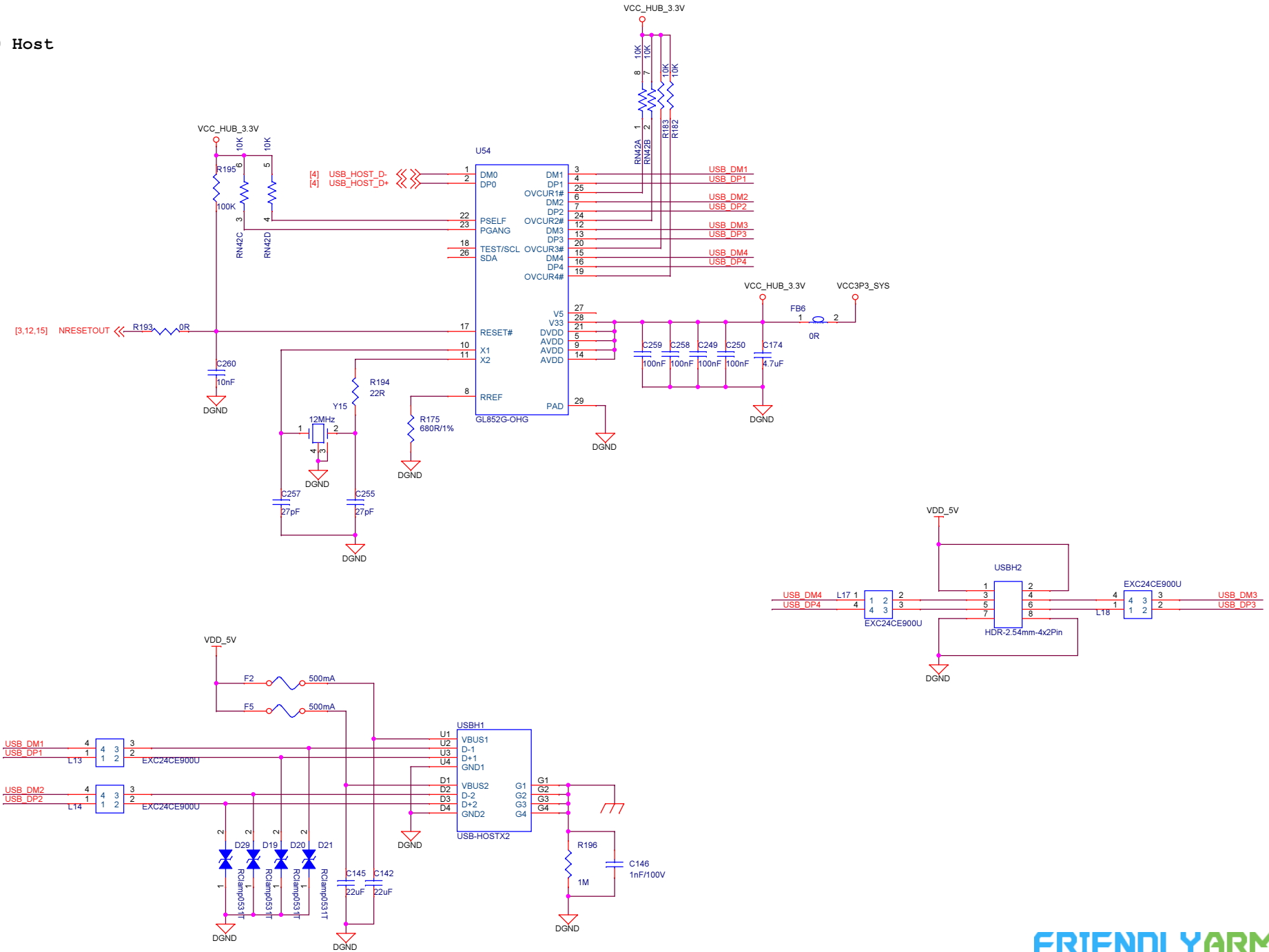


# 10/100/1000M Ethernet



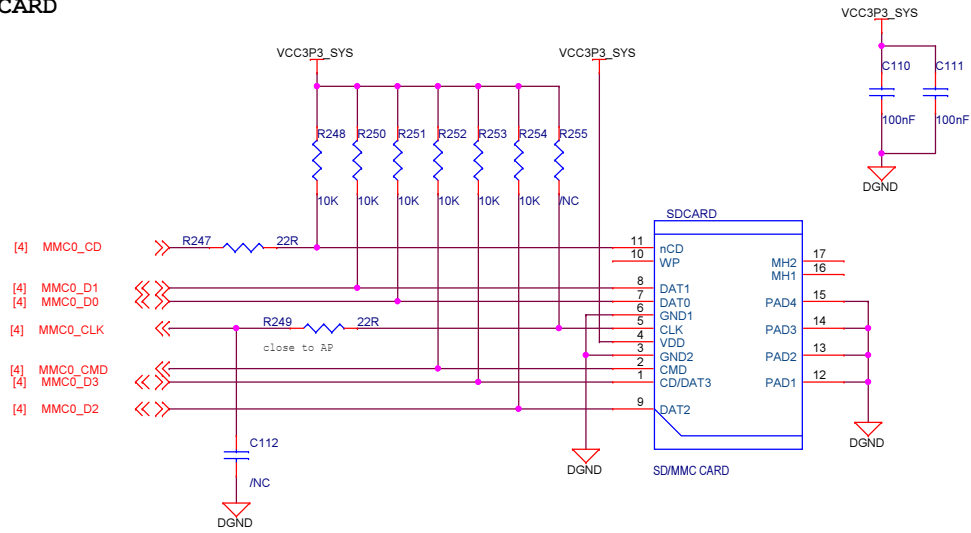
NanoPC-T2		
Size A3	Document Number 14.LAN	Rev 1601B
Date: Monday, February 15, 2016	Sheet 13	of 16

# USB 2.0 Host

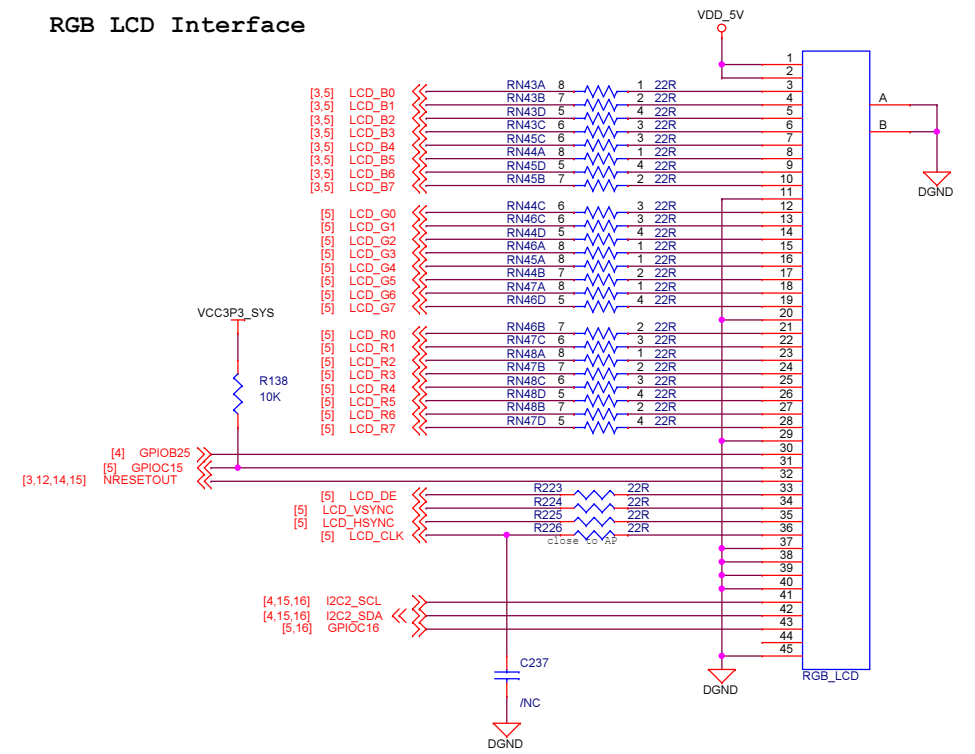


NanoPC-T2		
Size	Document Number	Rev
A3	15.USB-Host	1601B
Date:	Monday, February 15, 2016	Sheet 14 of 16

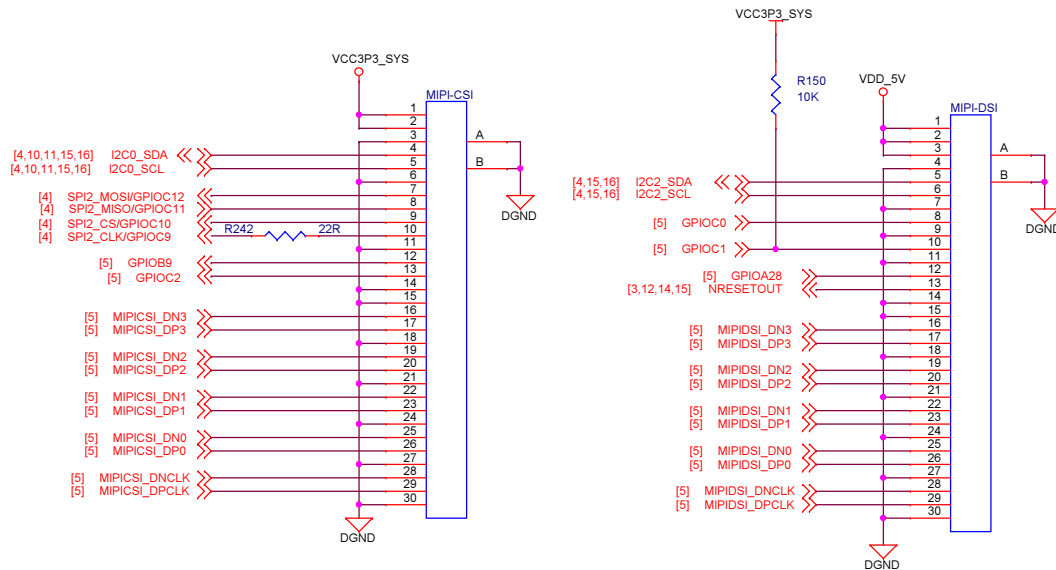
### SDCARD



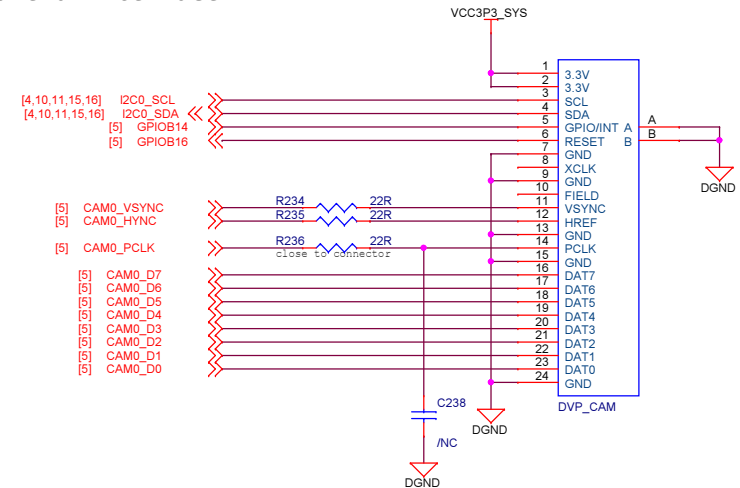
### RGB LCD Interface



### MIPI Interface

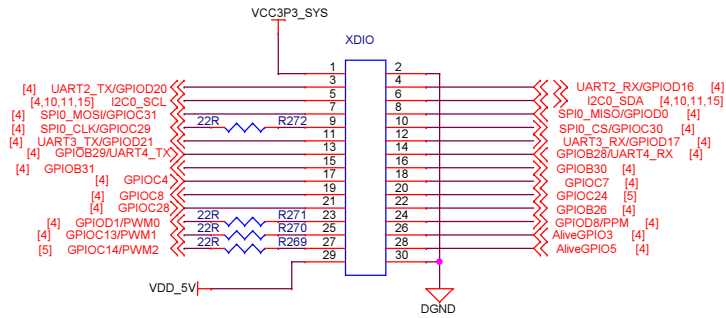


### Camera Interface

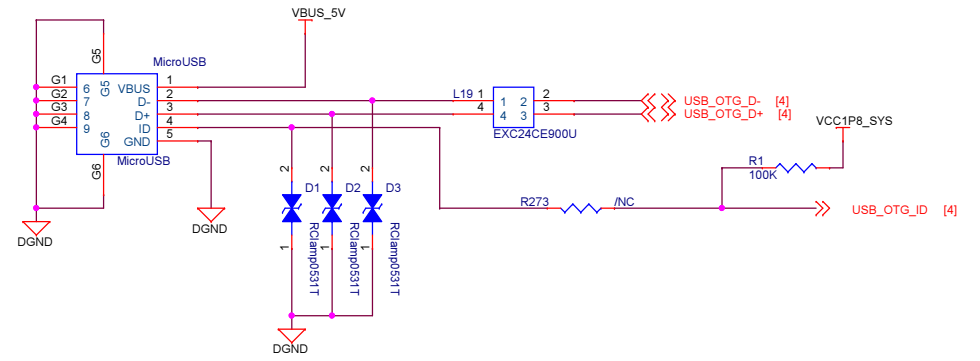


FRIENDLYARM

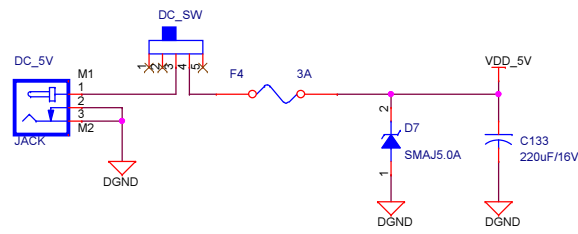
## 2.54mm Header



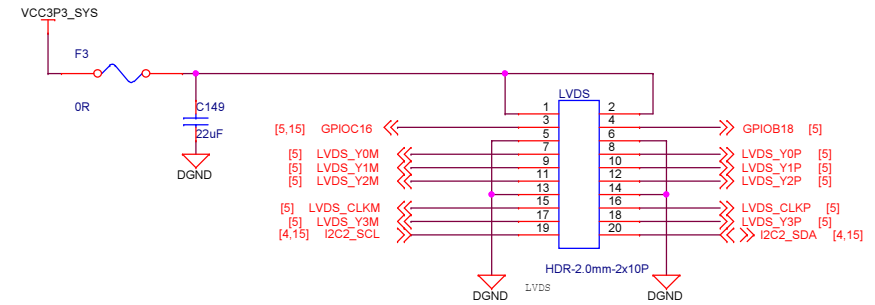
## MicroUSB



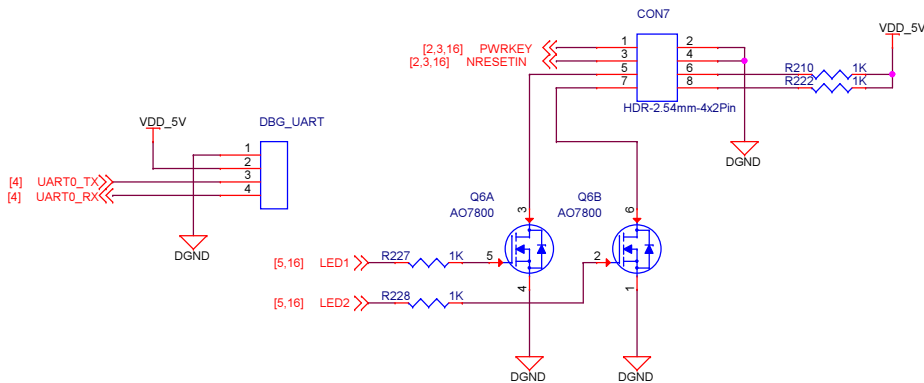
## 5V Power IN



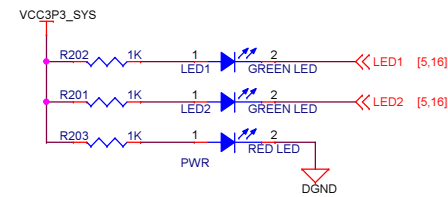
## LVDS



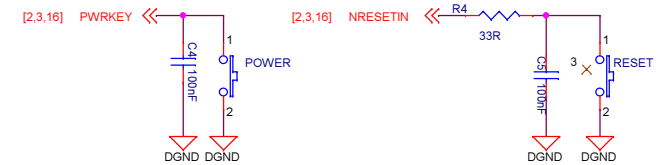
## Debug UART



## LEDs



## Buttons



**FRIENDLYARM**

NanoPC-T2		
Size A3	Document Number 16.Header,USB,LEDs,Buttons,LVDS	Rev 1601B
Date: Monday, February 15, 2016	Sheet 16	of 16