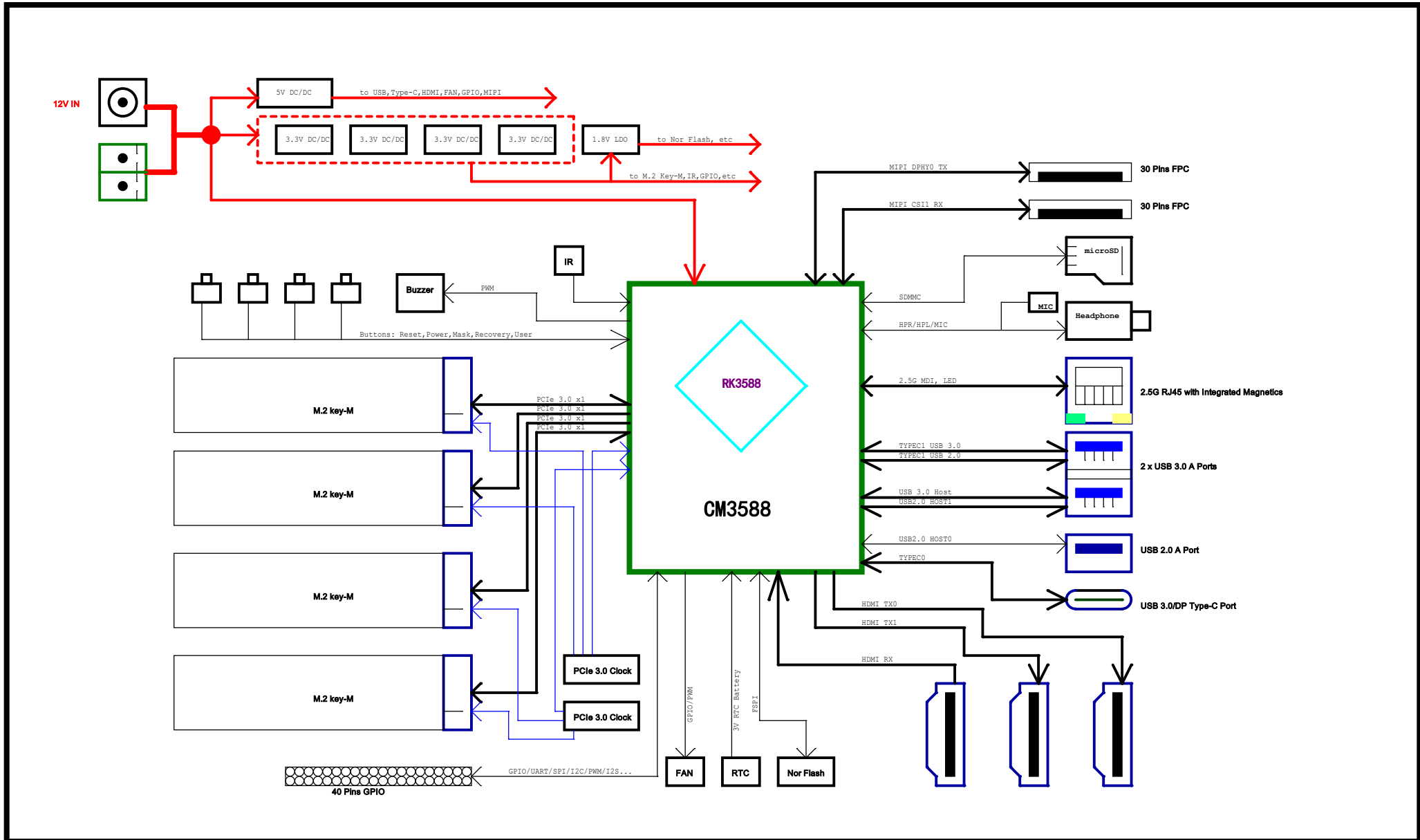
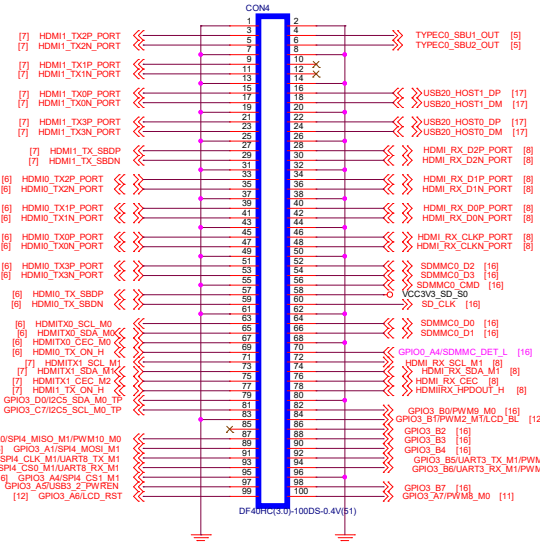
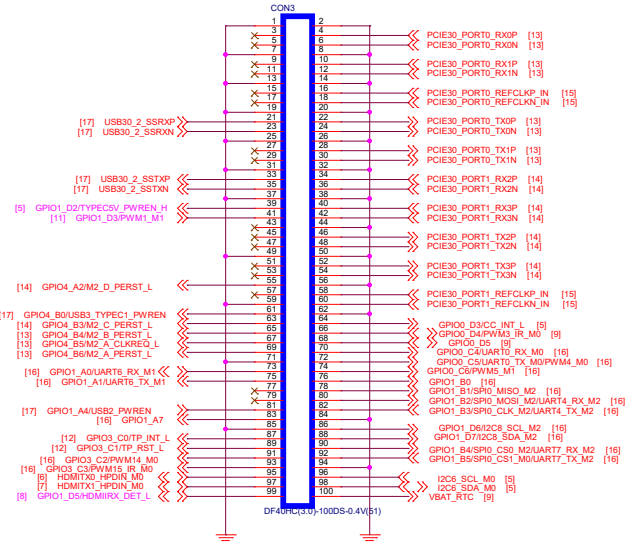
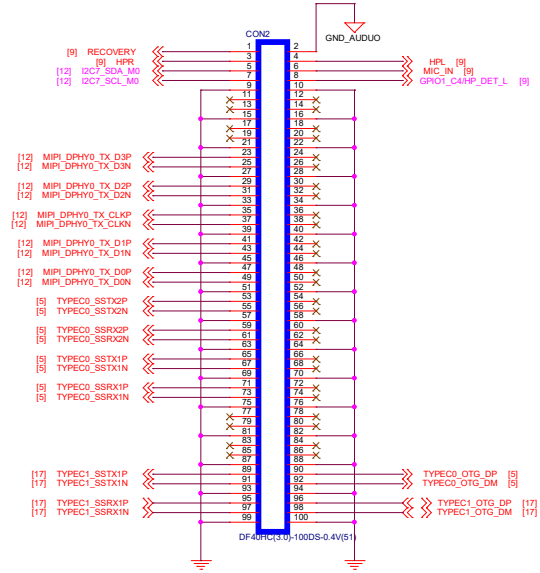
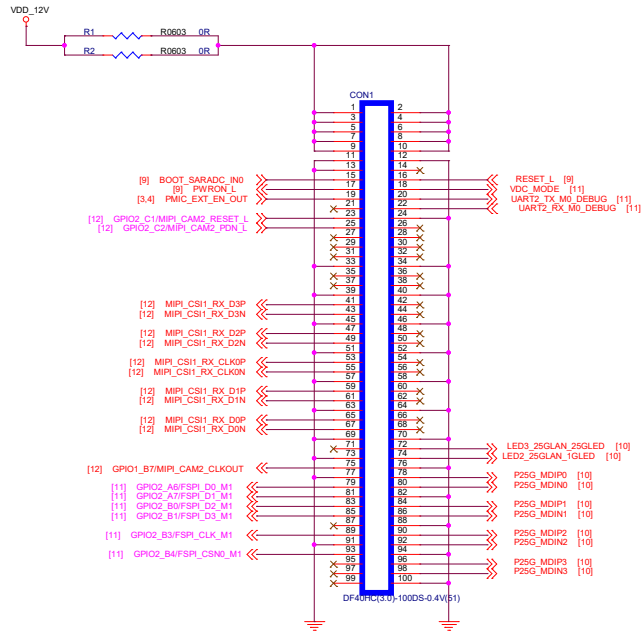
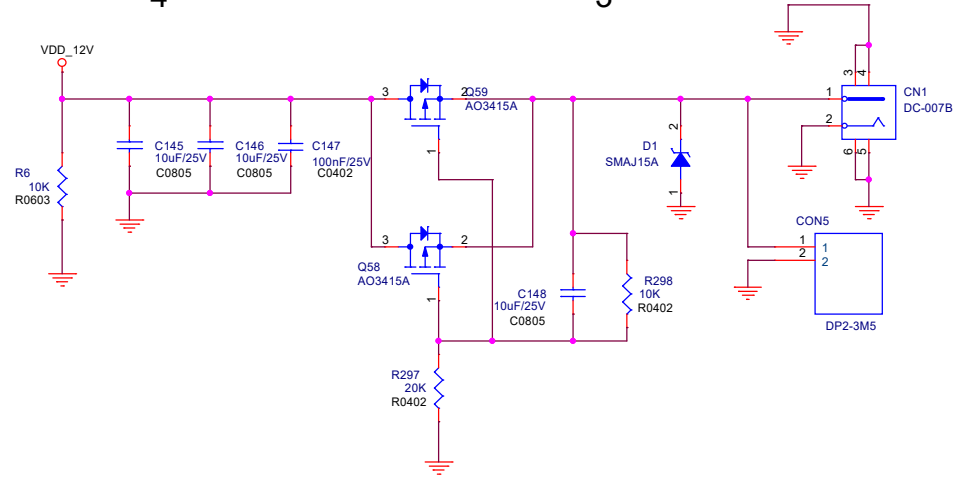


CM3588 NAS SDK

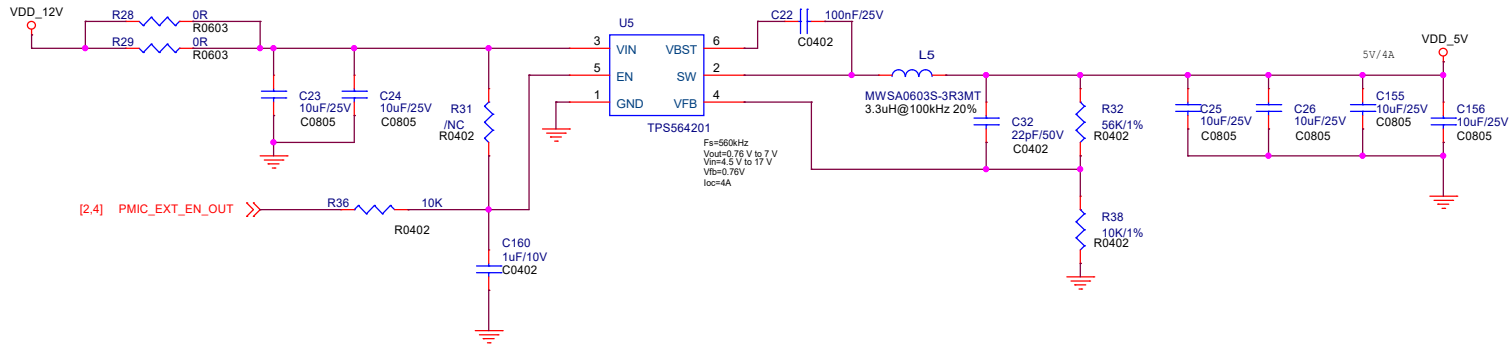




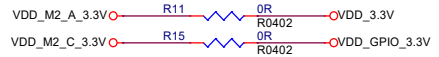
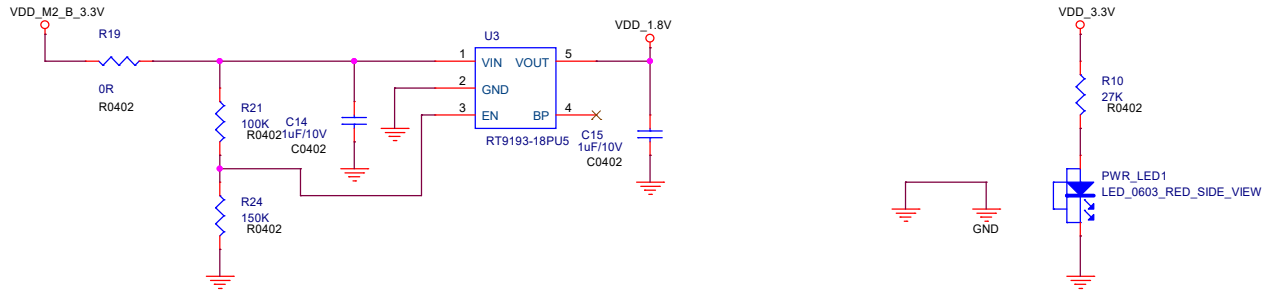
12V Input



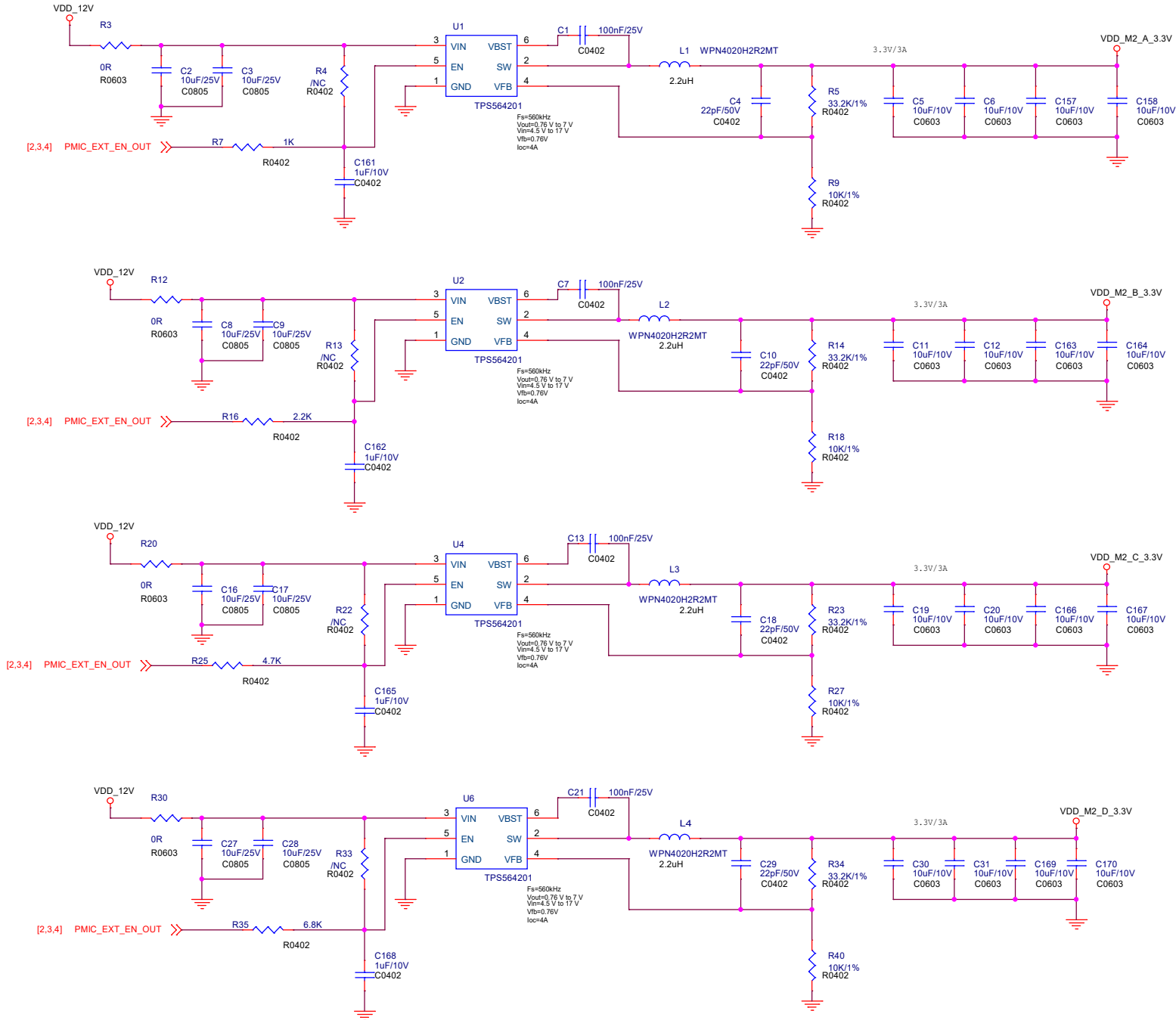
12V to 5V



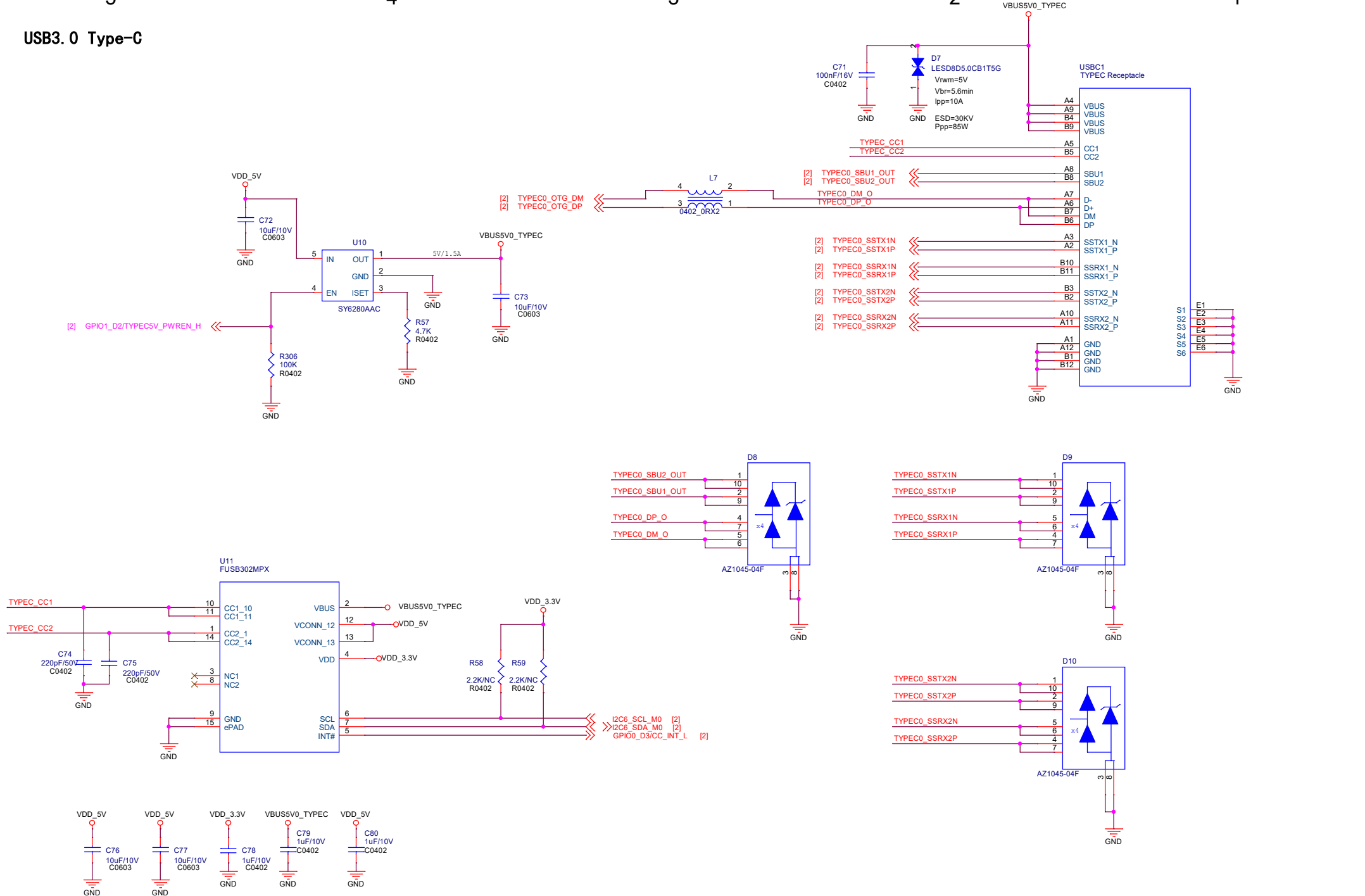
3.3V, 1.8V



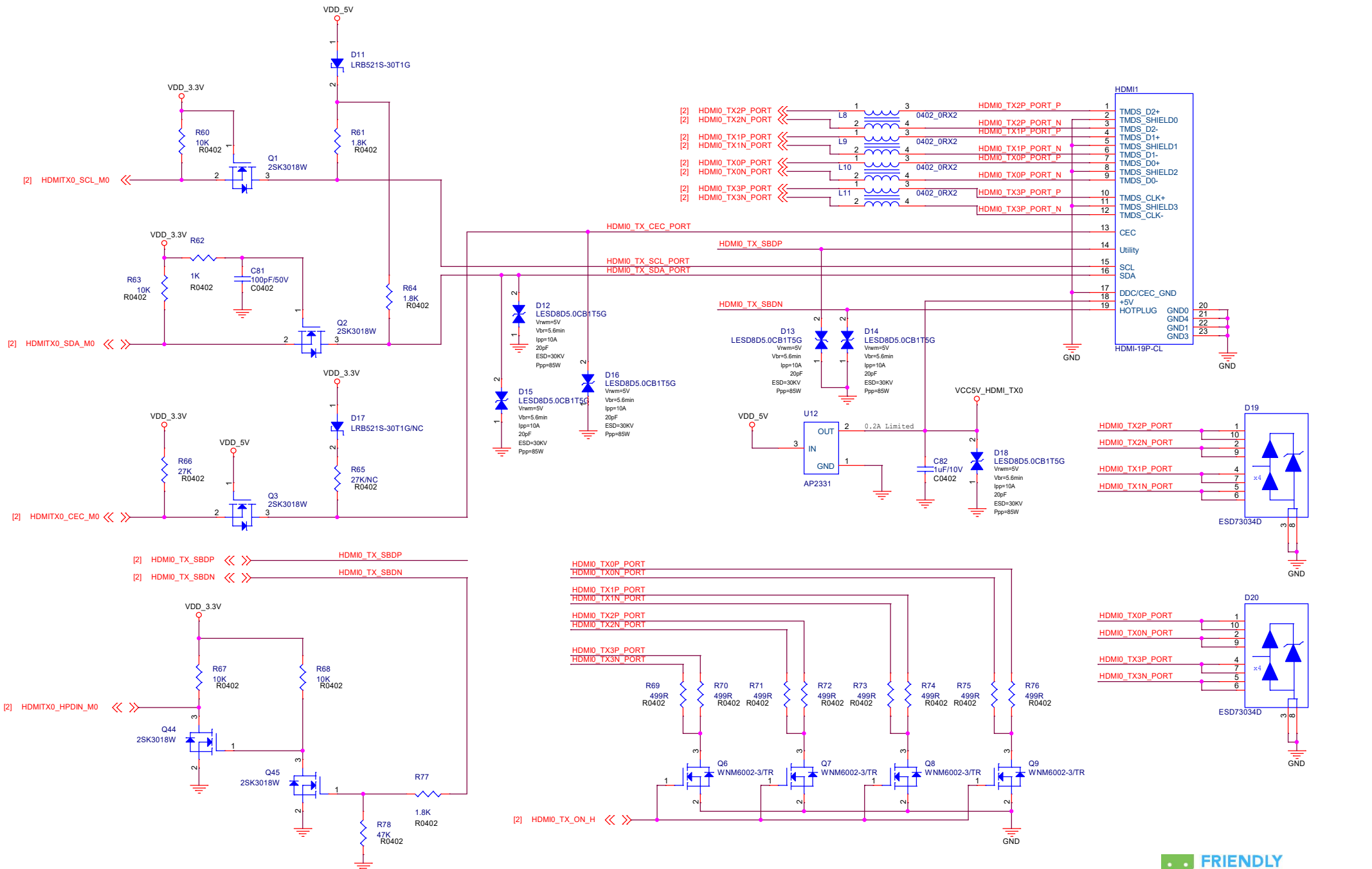
3.3V for Key-M M.2 Socket



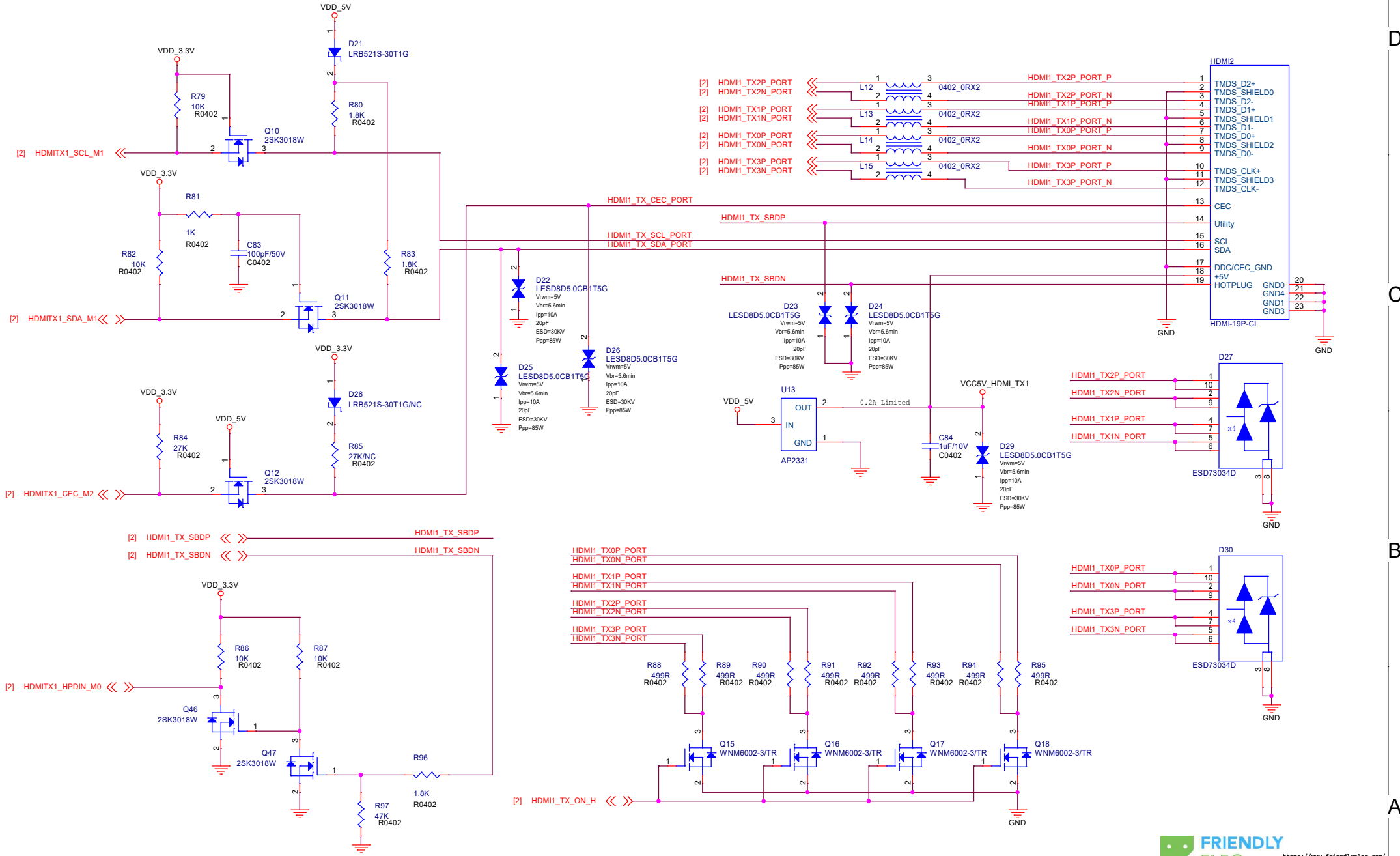
USB3.0 Type-C



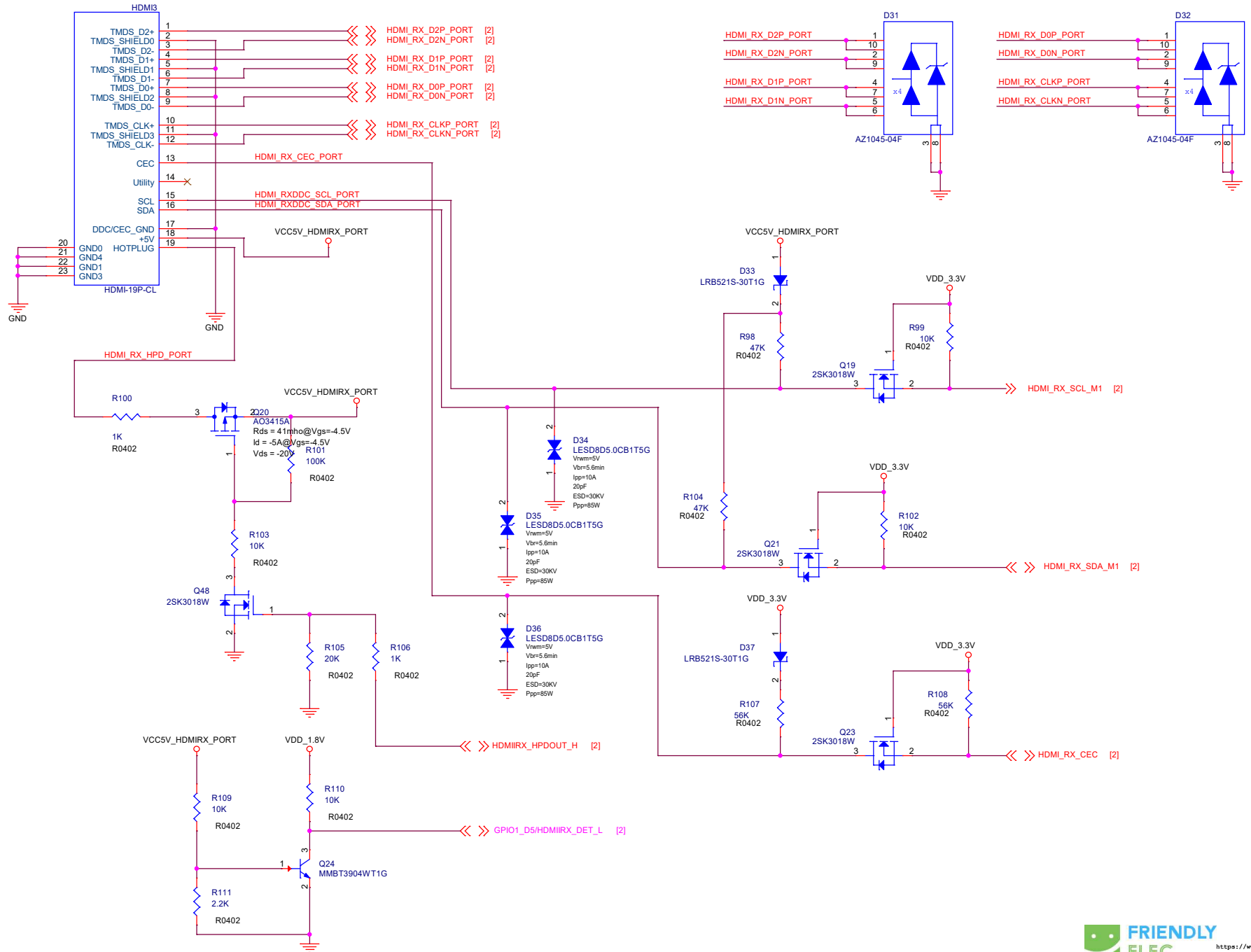
HDMI TX0



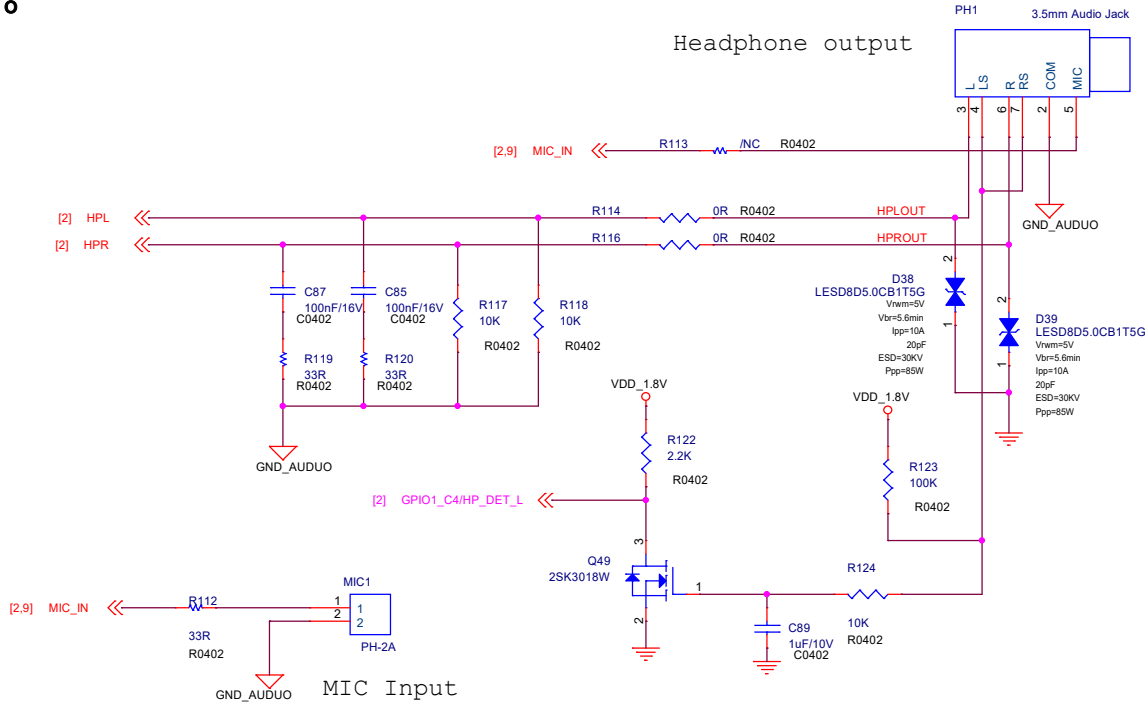
HDMI TX1



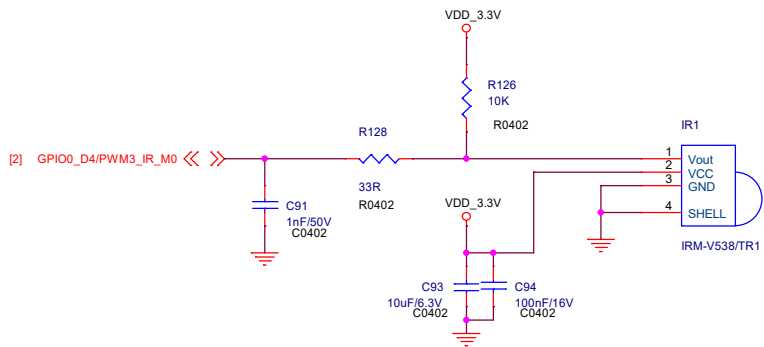
HDMI RX



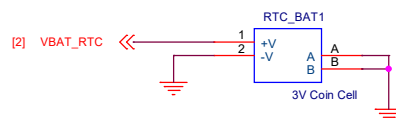
Audio



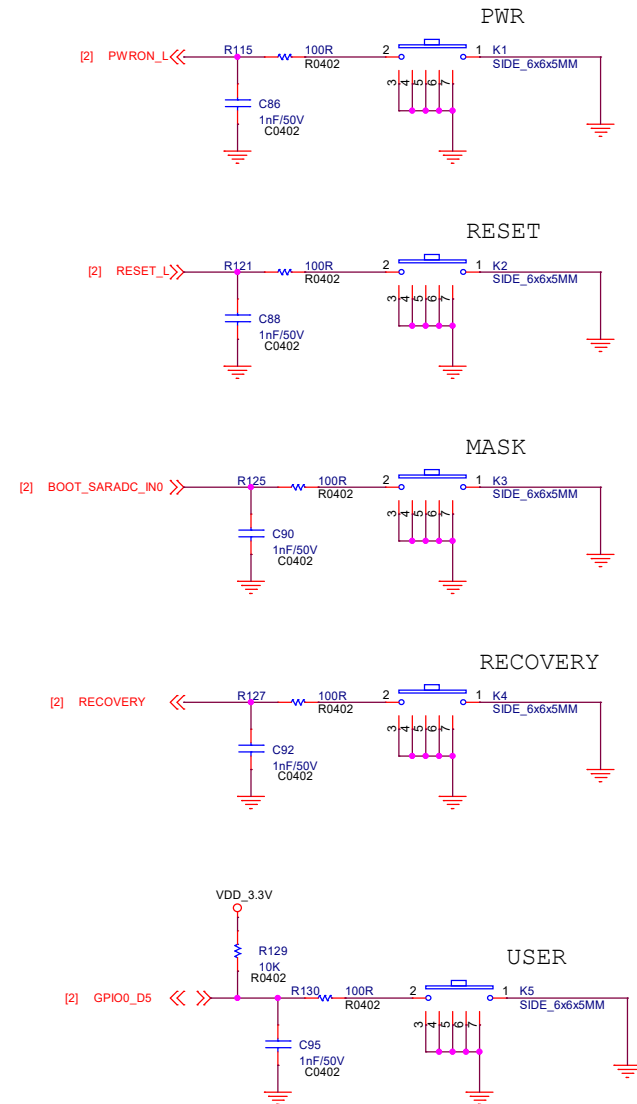
IR



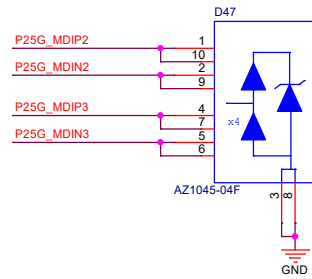
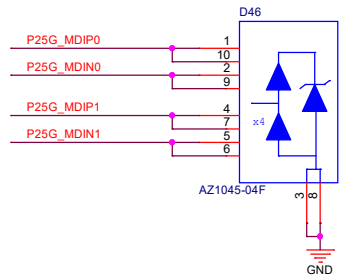
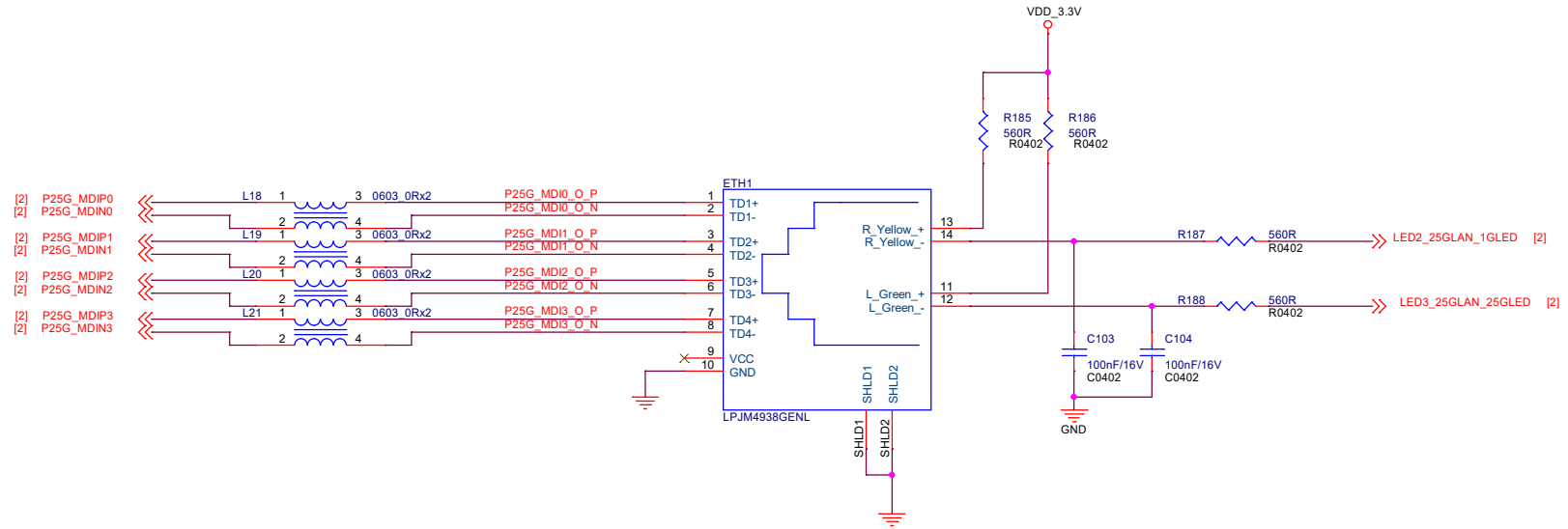
RTC



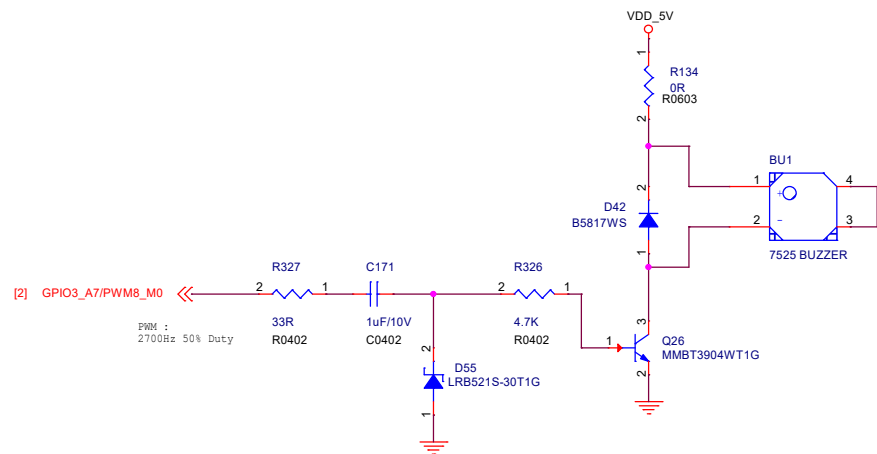
Buttons



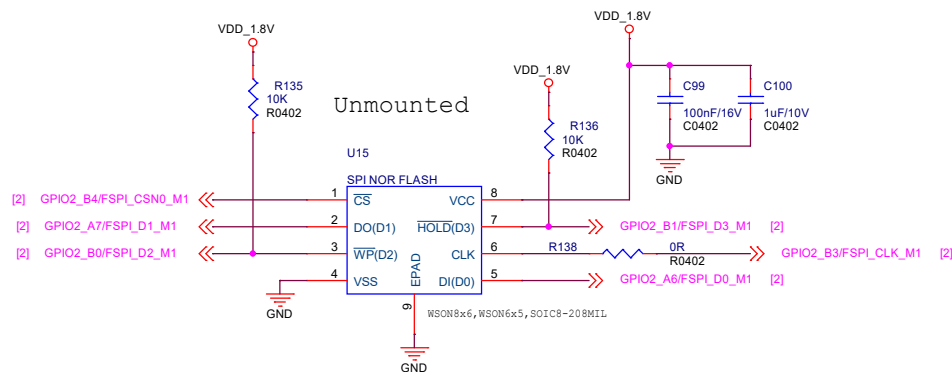
2. 5G Ethernet



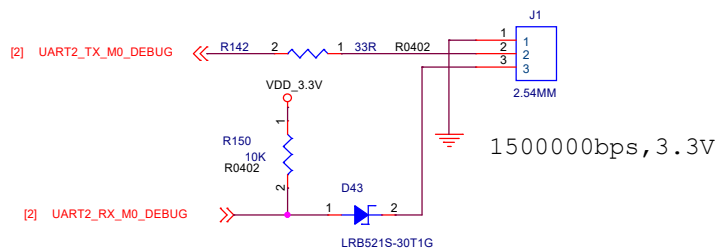
Buzzer



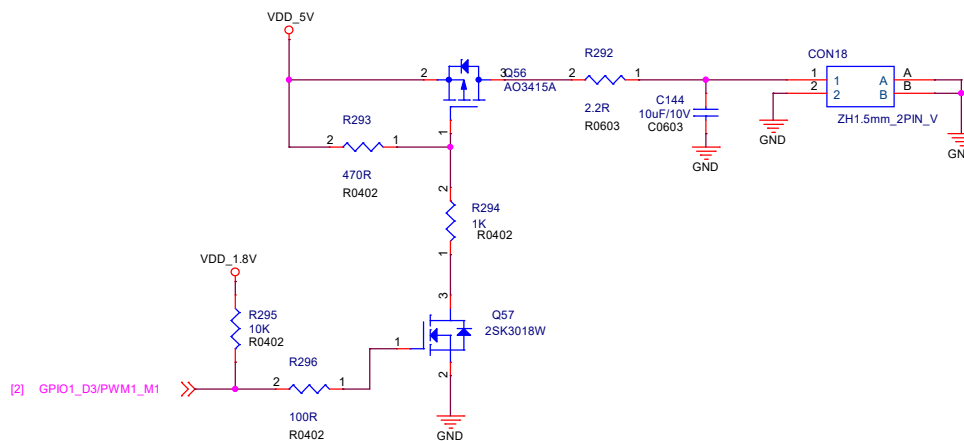
SPI Nor Flash



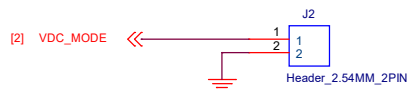
Bebug UART



5V Fan

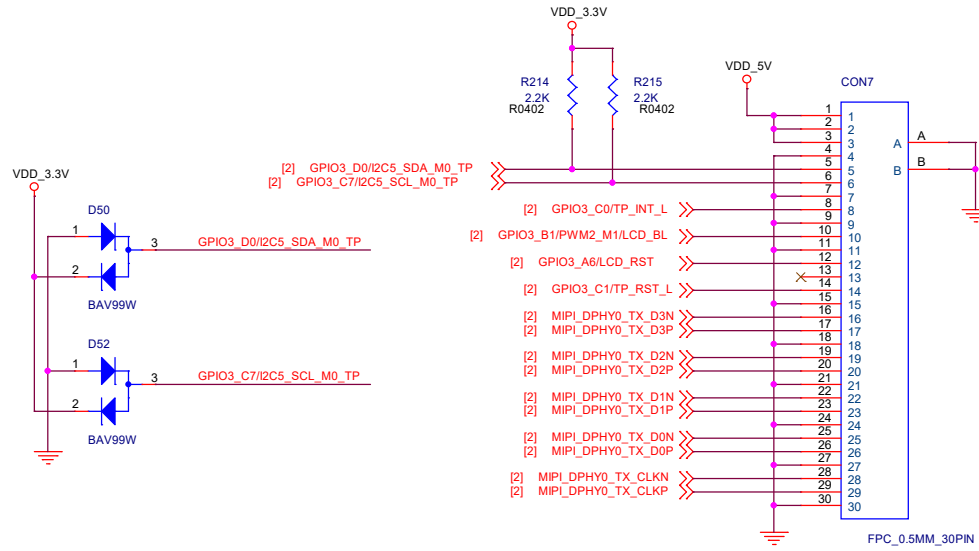


Power-On Mode Select Jumper

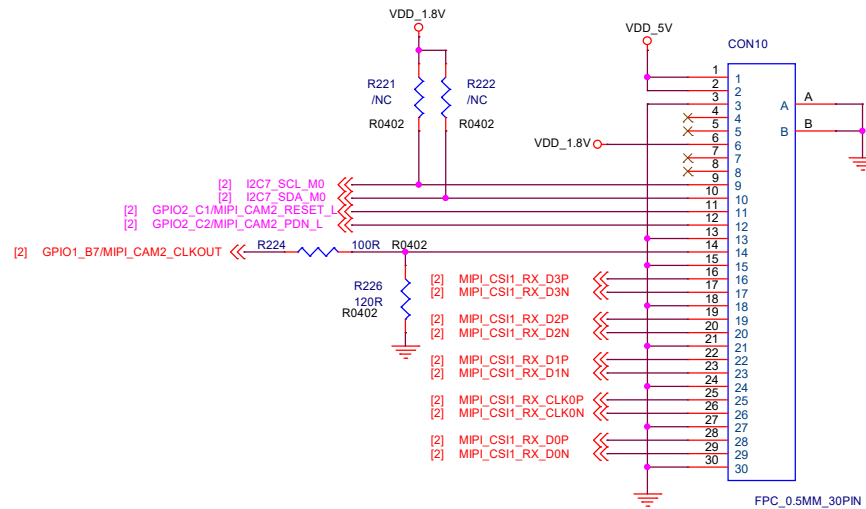


Opent: power up immediately after 12V IN is powered
Short: power up afer PowerKey is pressed

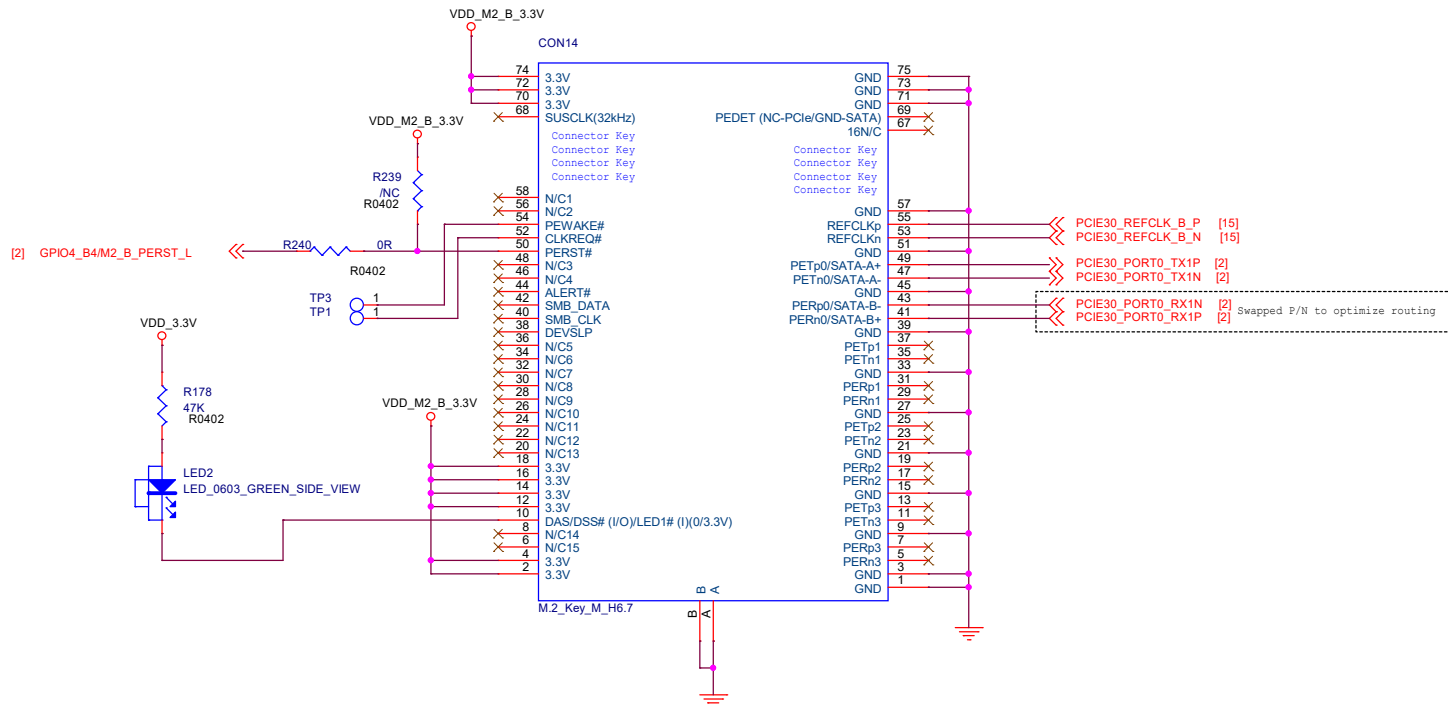
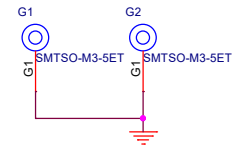
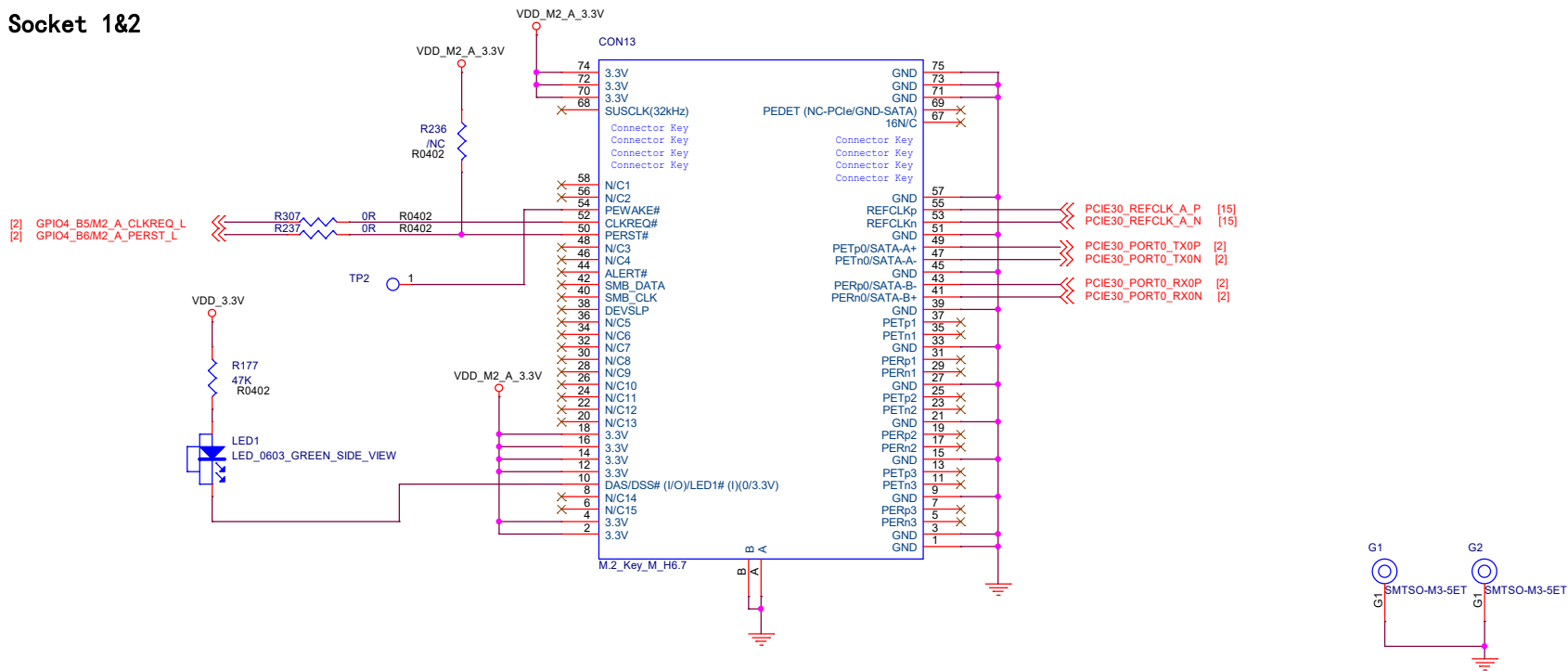
MIPI TX



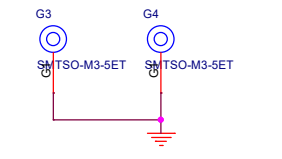
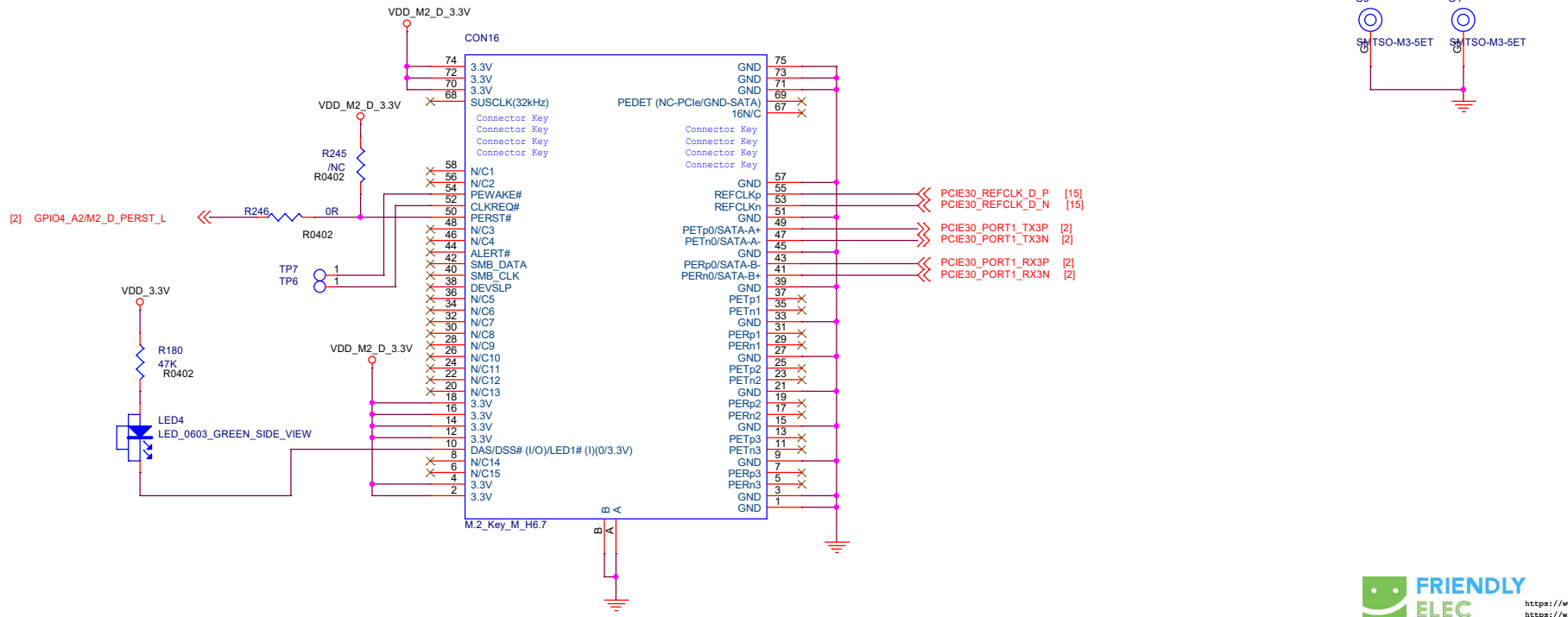
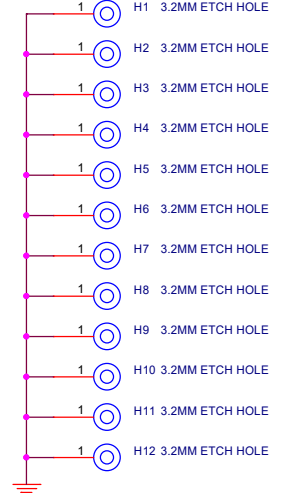
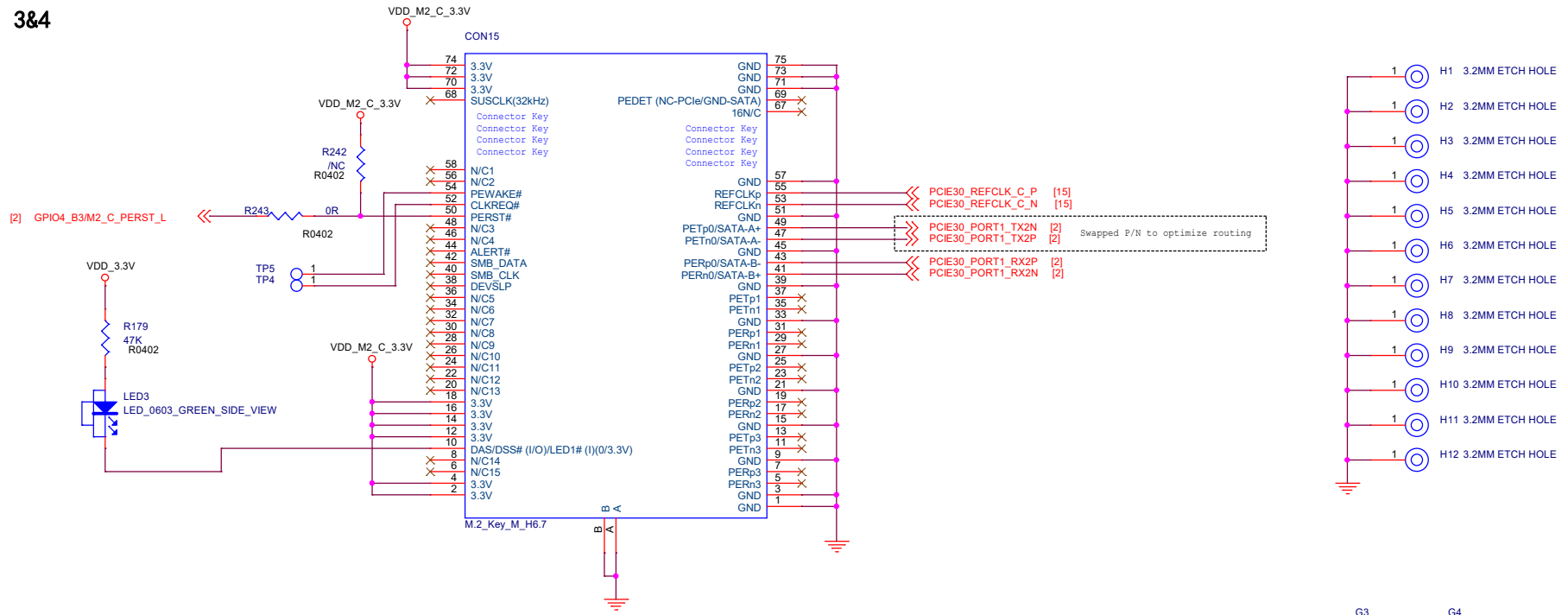
MIPI RX



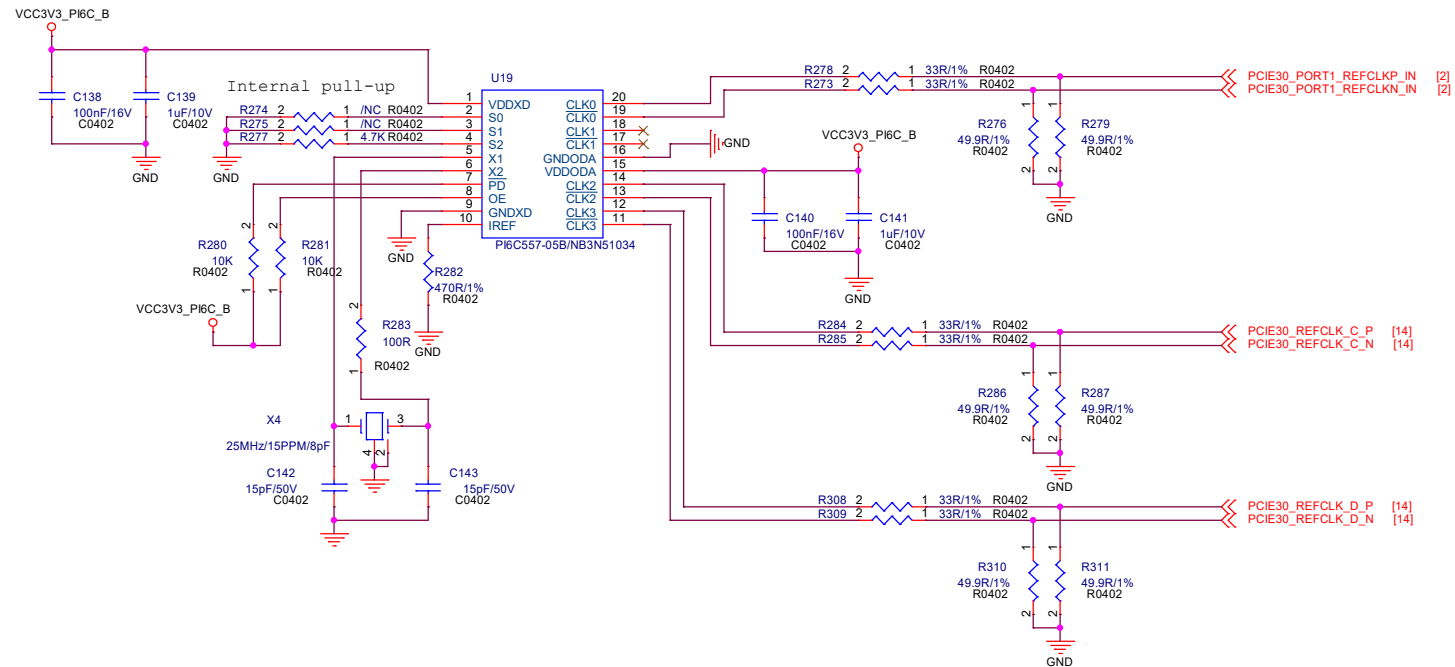
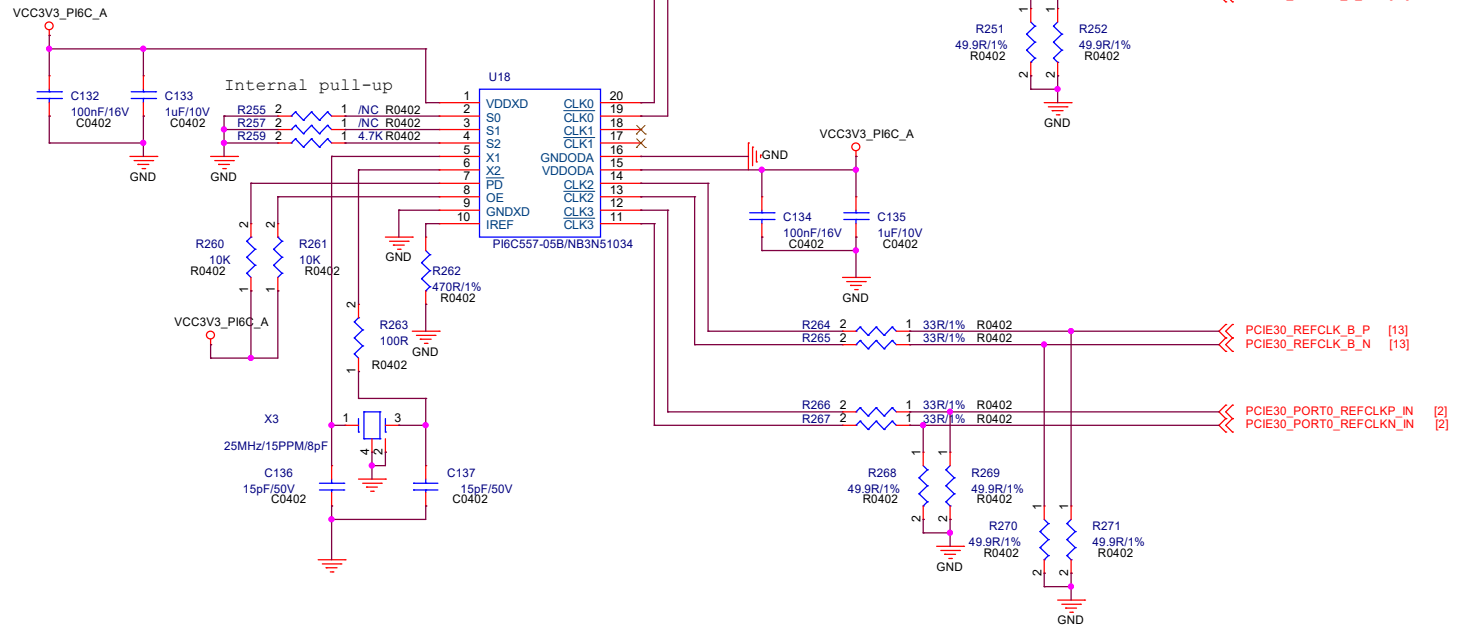
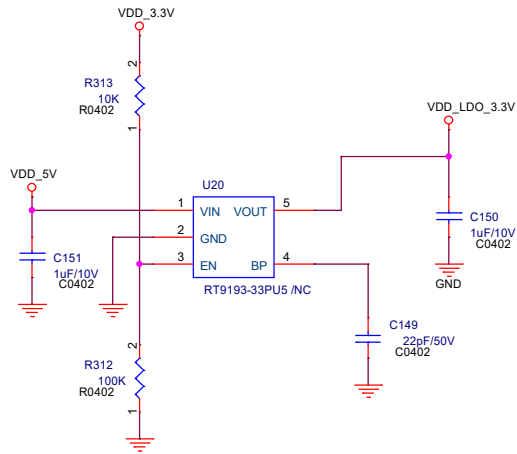
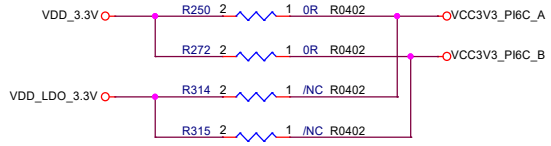
M.2 Key-M Socket 1&2

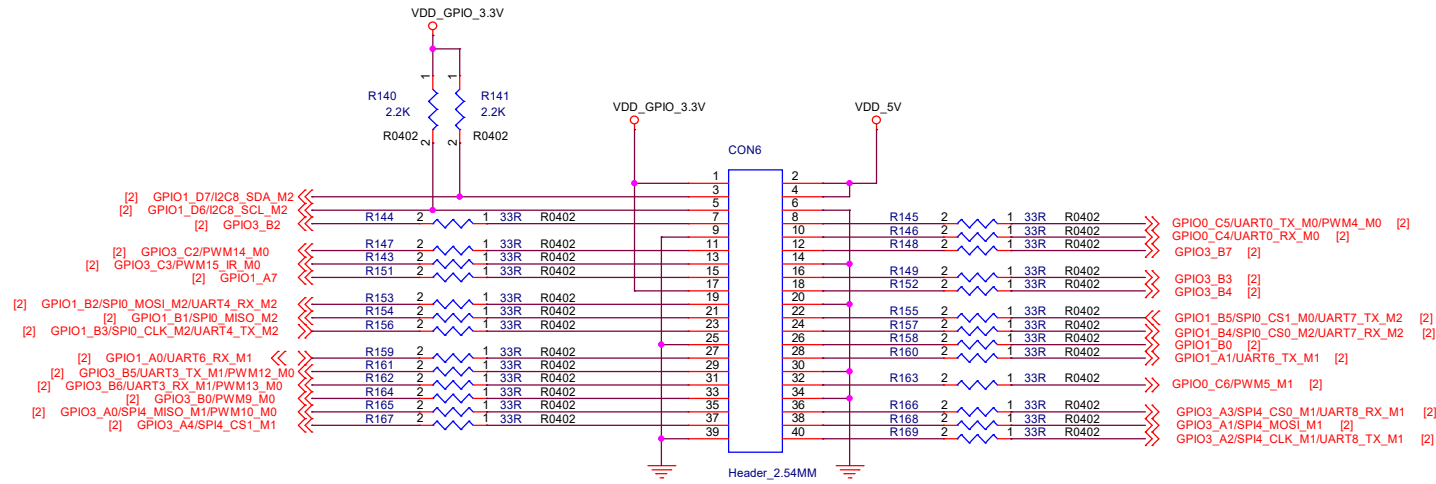


M.2 Key-M Socket 3&4

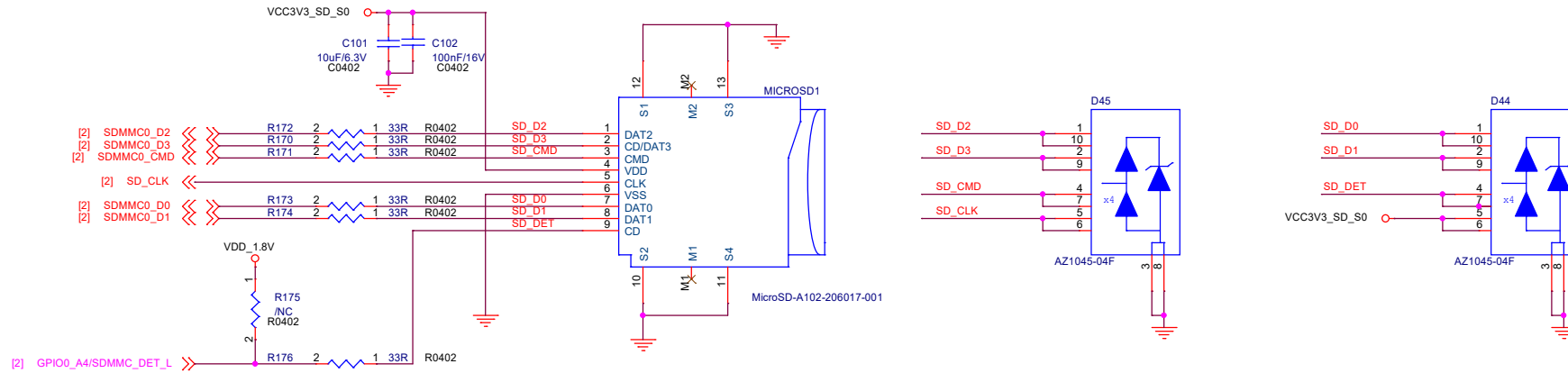


PCIe 3.0 Clock

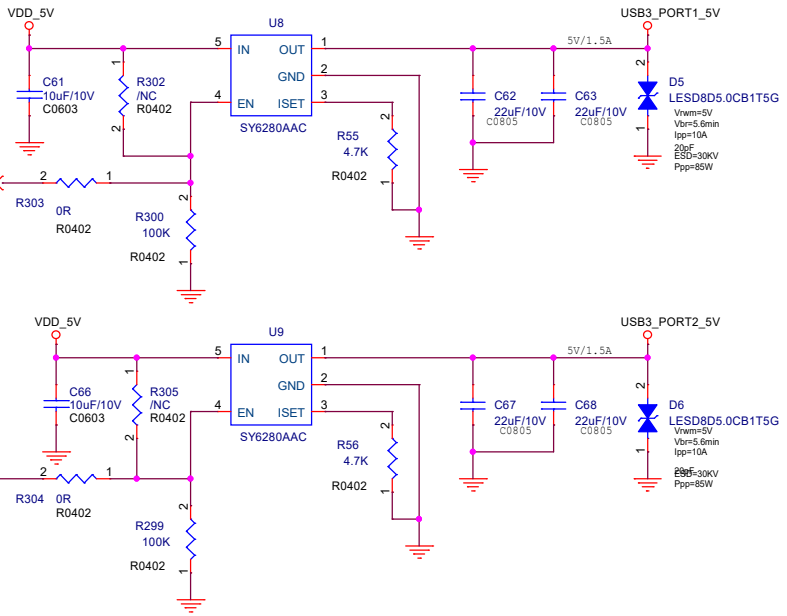




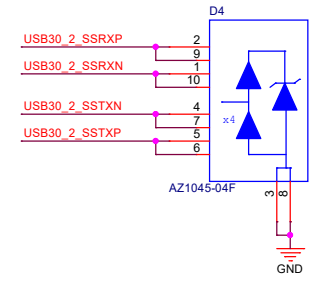
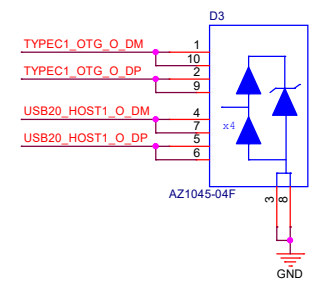
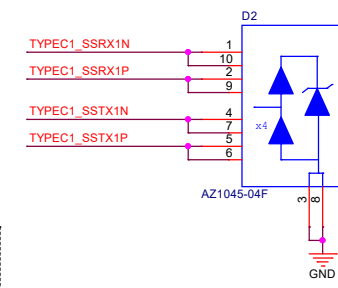
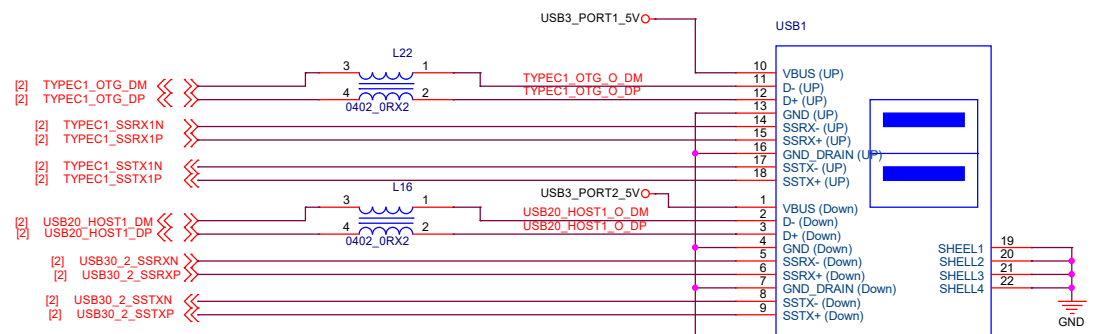
microSD Socket



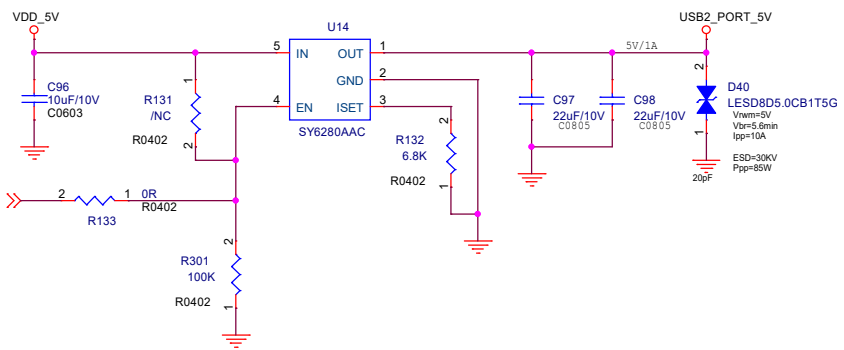
2 x USB 3.0 A



- [2] TYPEC1_OTG_DM
- [2] TYPEC1_OTG_DP
- [2] TYPEC1_SSRX1N
- [2] TYPEC1_SSRX1P
- [2] TYPEC1_SSTX1N
- [2] TYPEC1_SSTX1P
- [2] USB30_2_SSRXN
- [2] USB30_2_SSRXP
- [2] USB30_2_SSTXN
- [2] USB30_2_SSTXP



USB 2.0 A



- [2] USB20_HOST0_DM
- [2] USB20_HOST0_DP

