

NanoPi M1 Plus

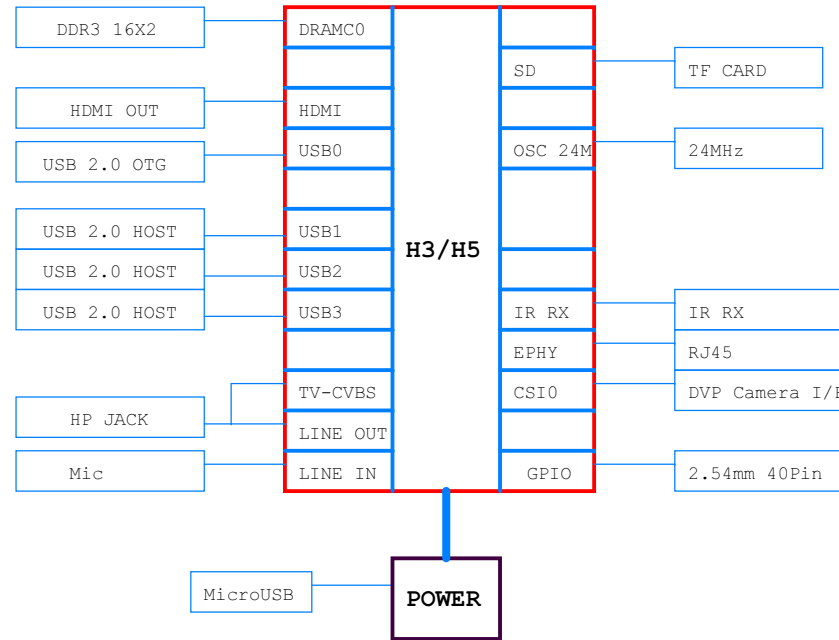
Revision

1702 , First Release
2017/05/18 rename net PWM1/GPIOA6 to GPIOA6

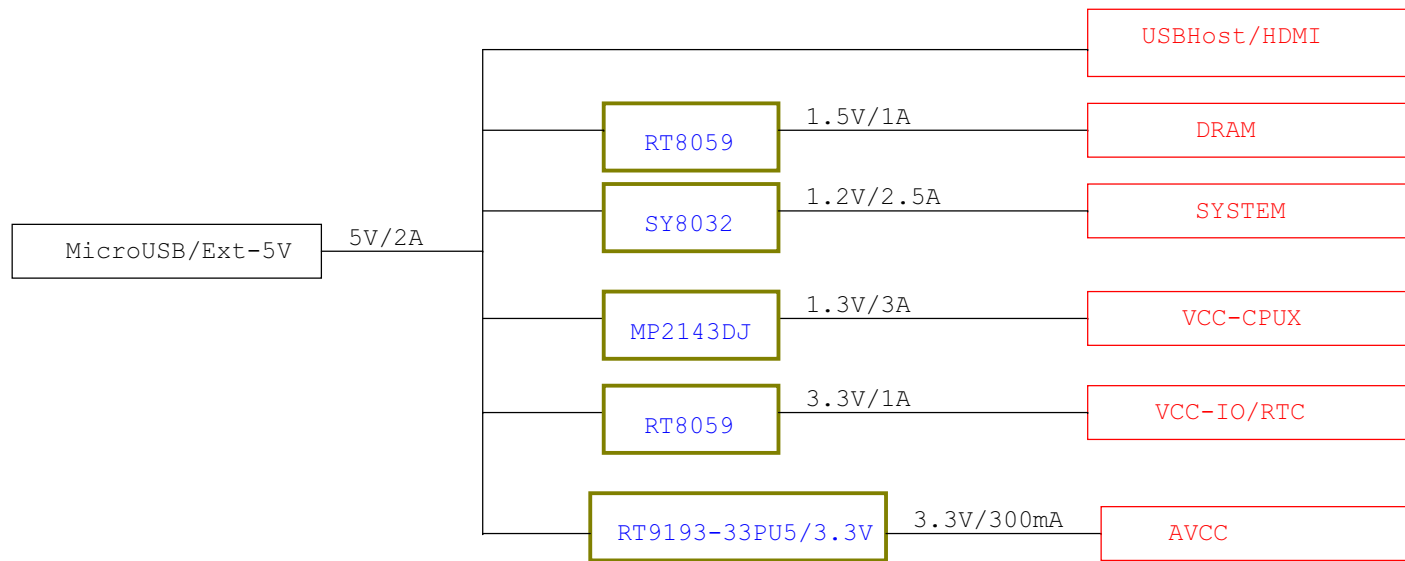


NanoPi M1 Plus		
Size A3	Document Number Title	Rev 1702
Date:	Thursday, May 18, 2017	Sheet 1 of 15

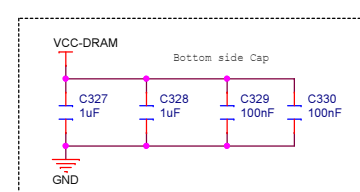
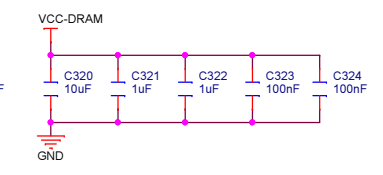
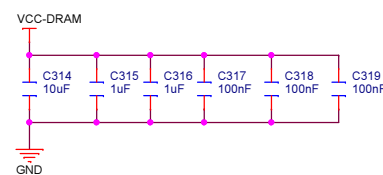
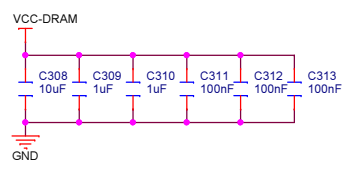
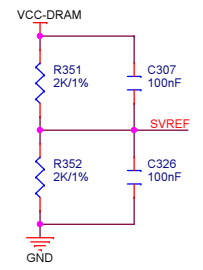
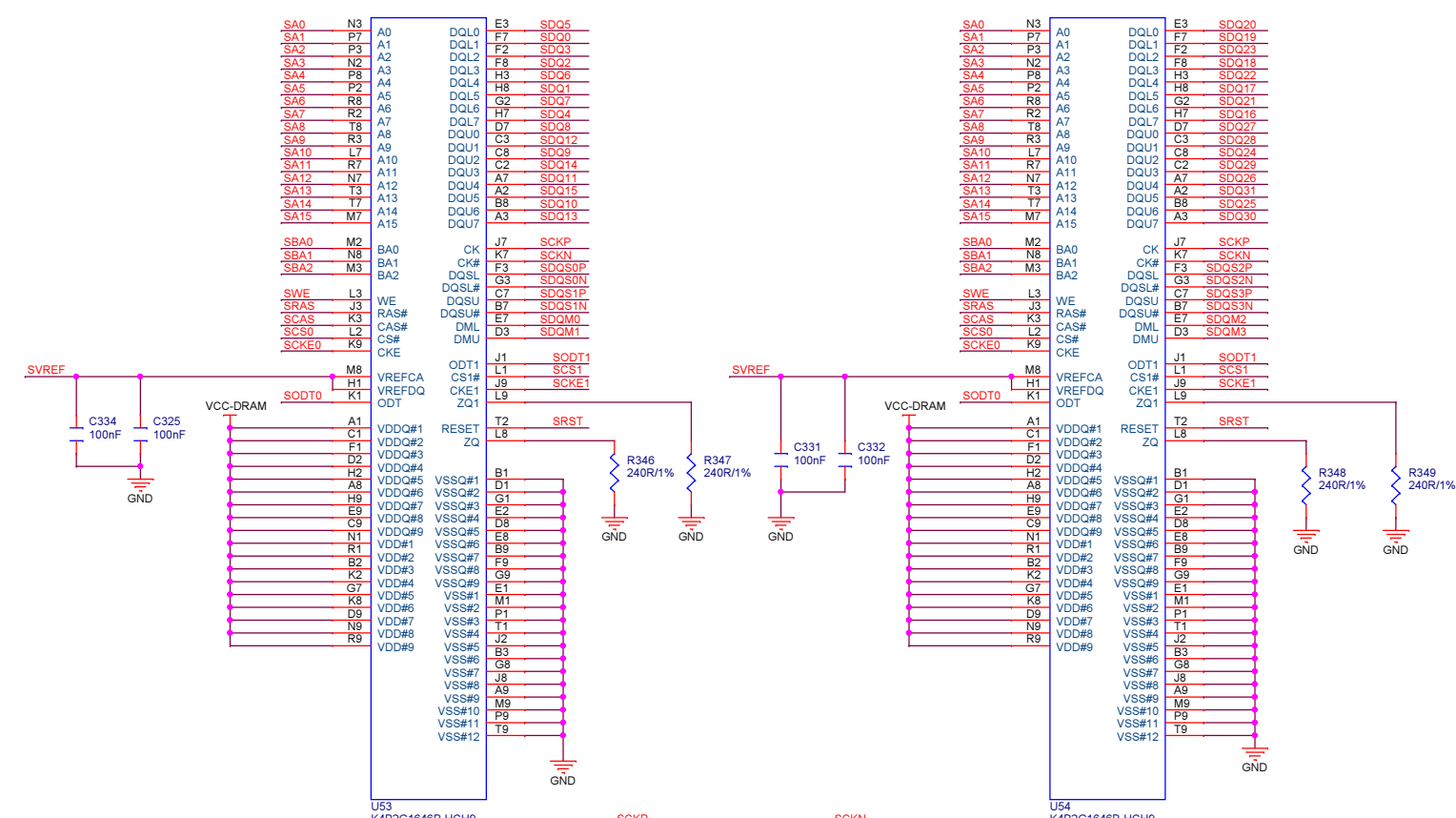
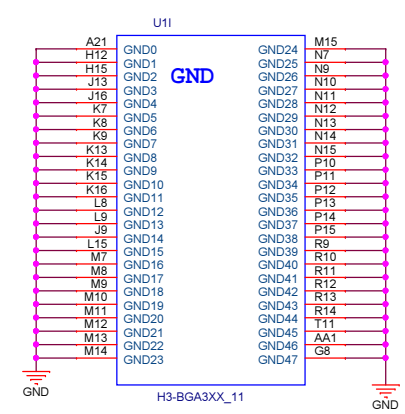
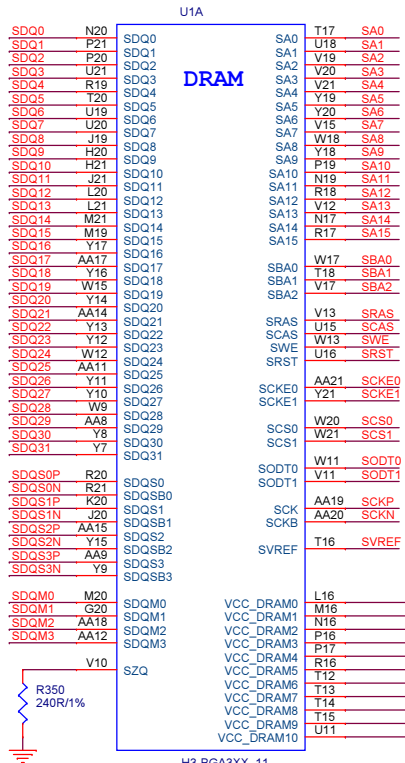
BLOCK



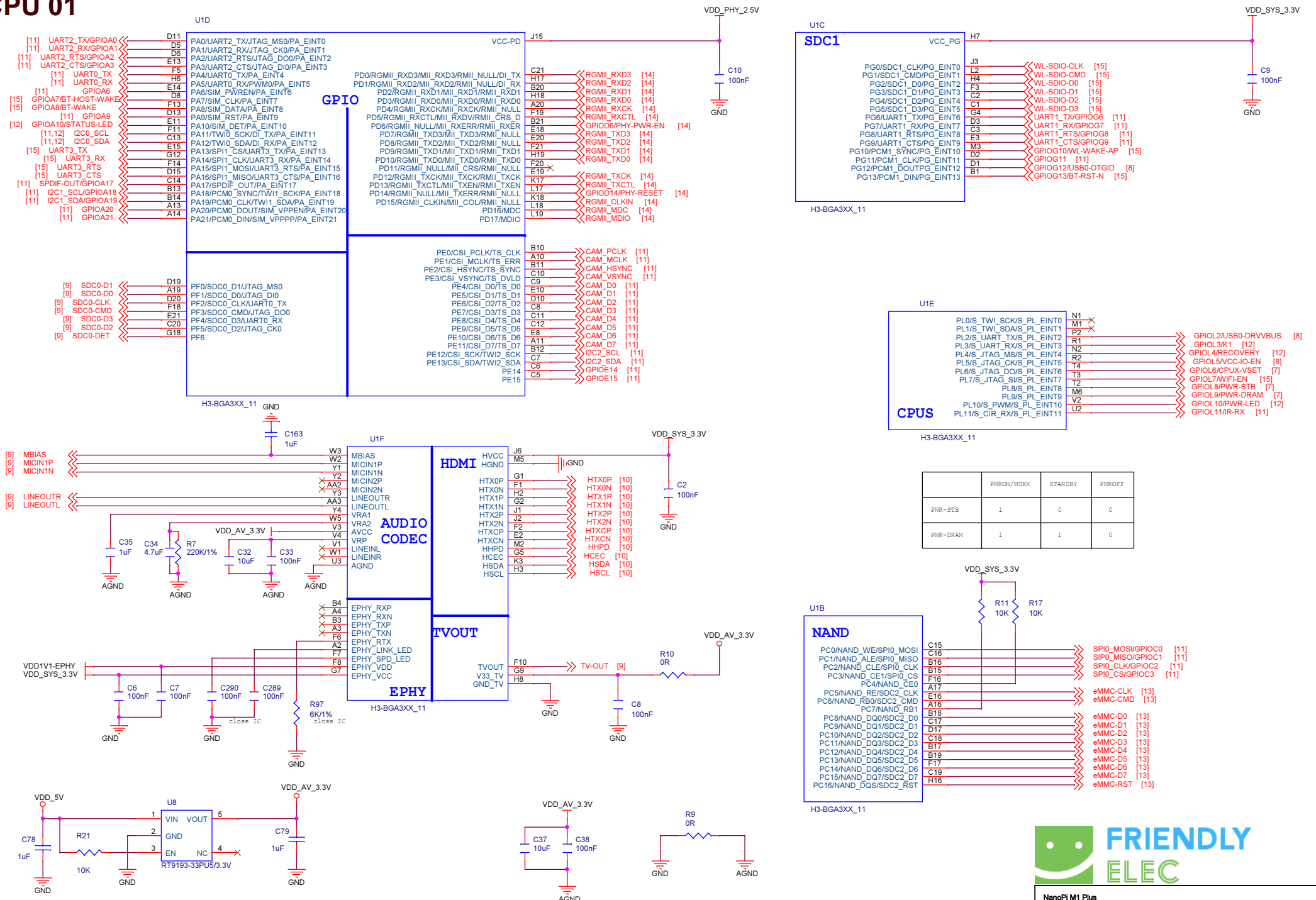
POWER TREE



DDR3 16x2



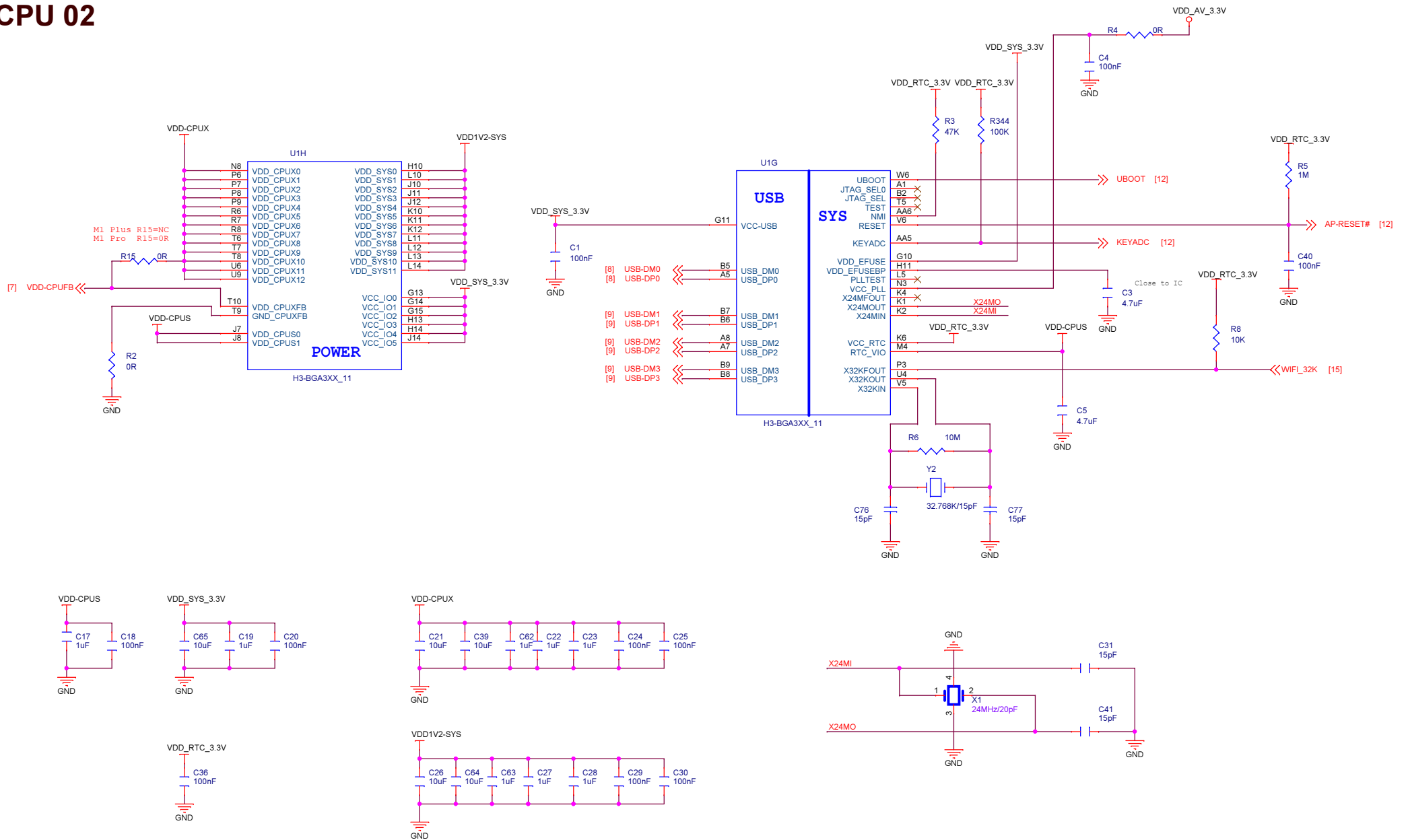
CPU 01



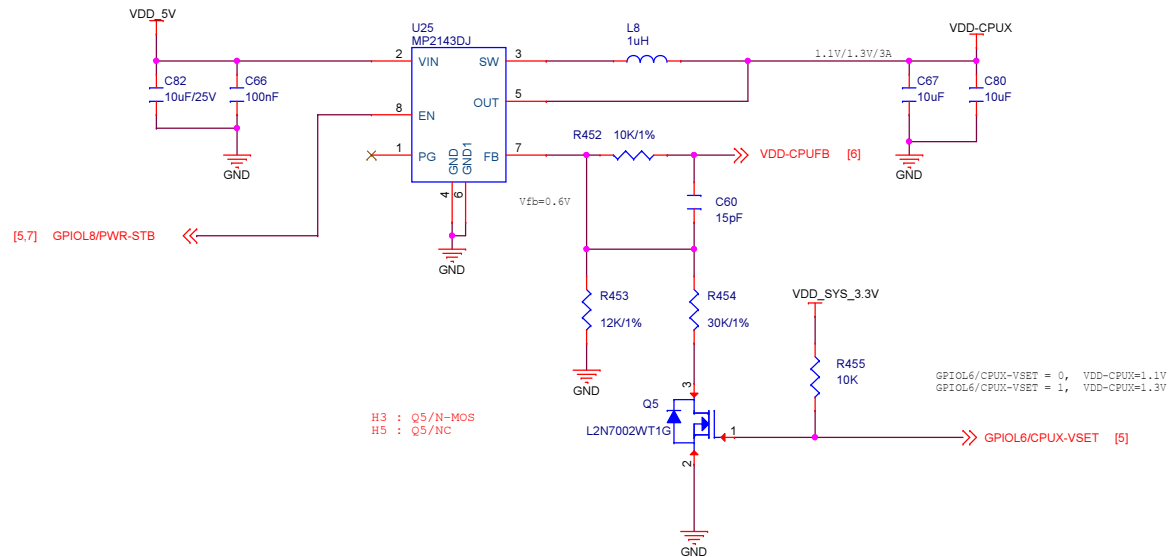
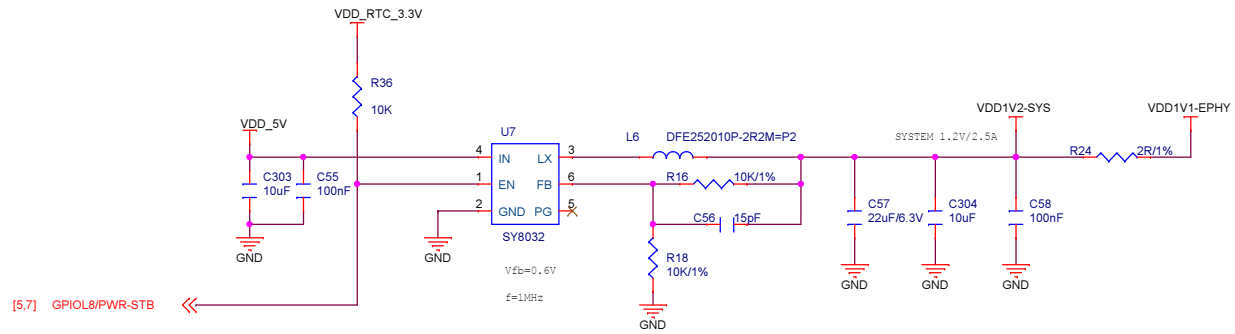
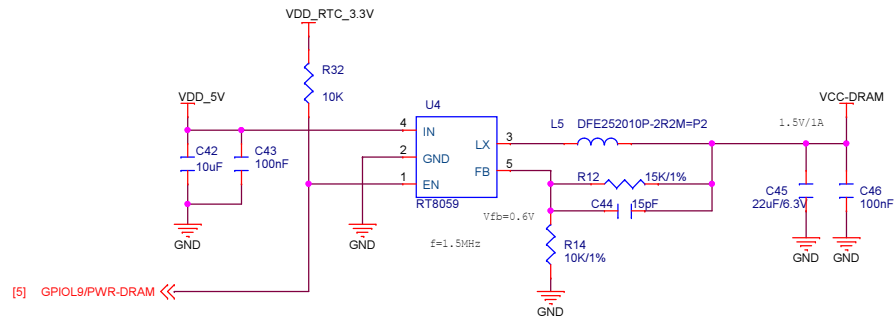
	PWRON/WORX	STANDBY	PWROFF
PWR-STB	1	0	0
PWR-DRAM	1	1	0



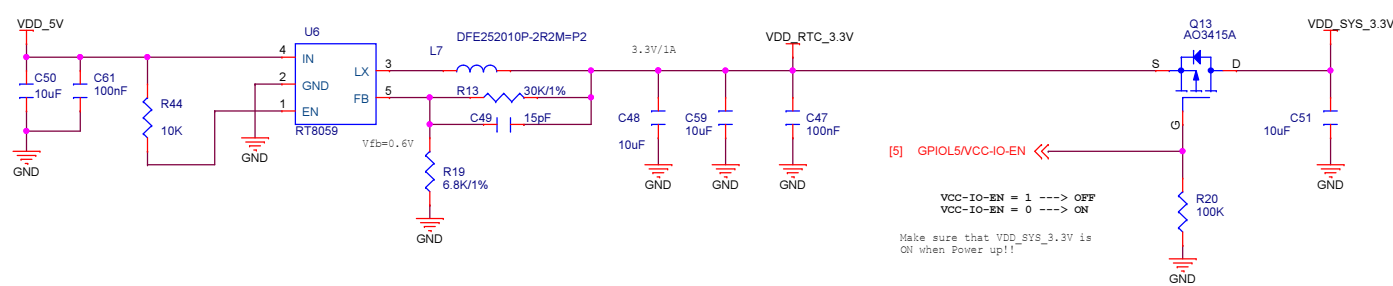
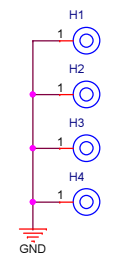
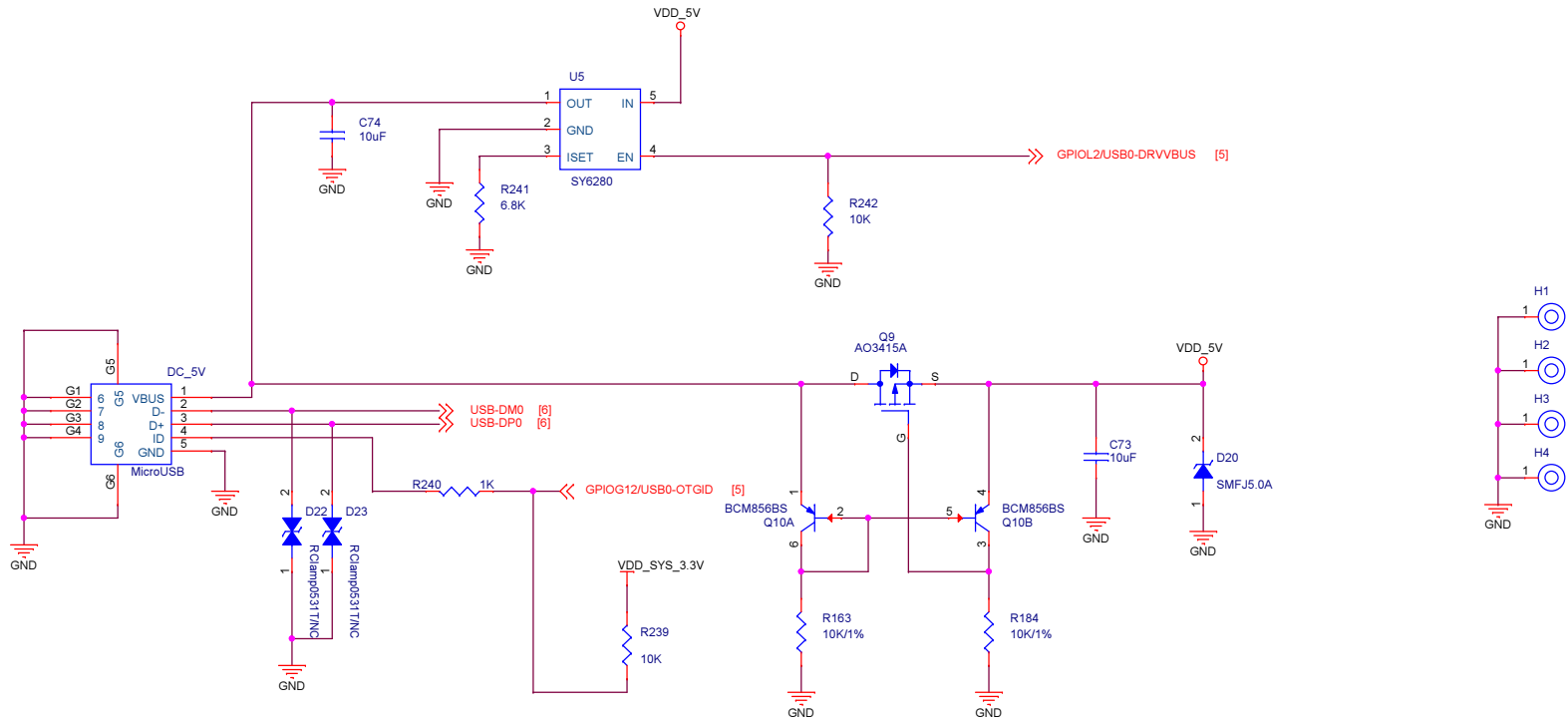
CPU 02



POWER 01



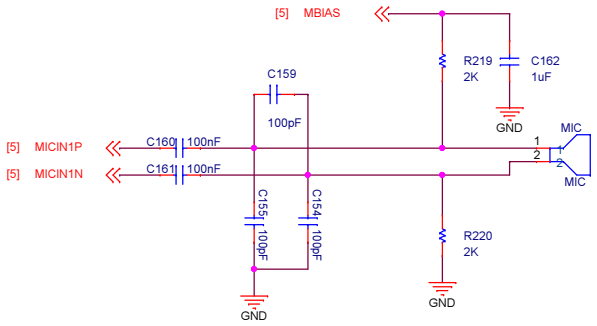
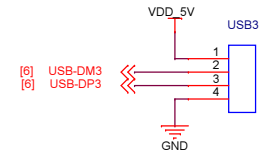
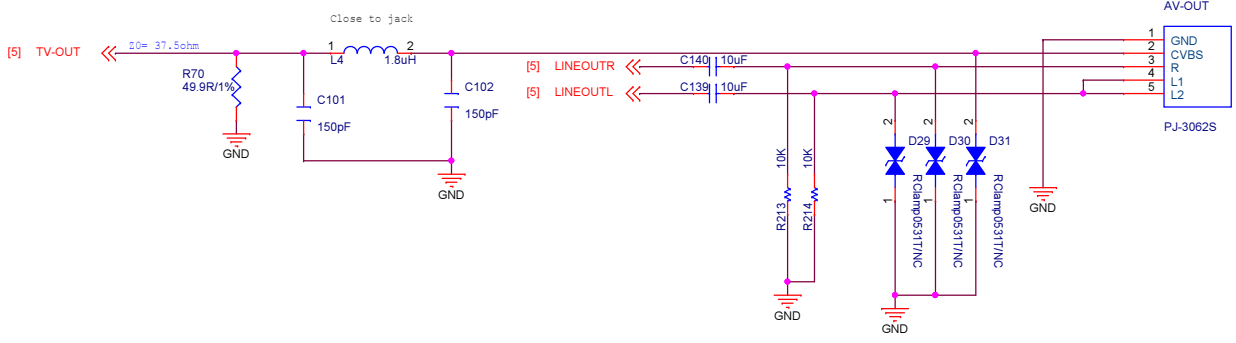
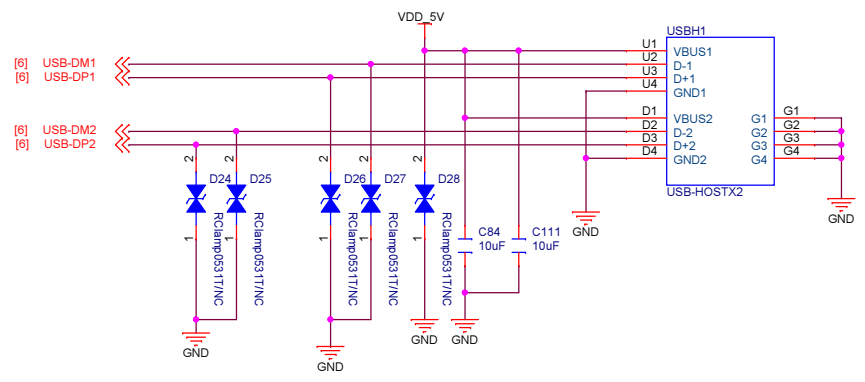
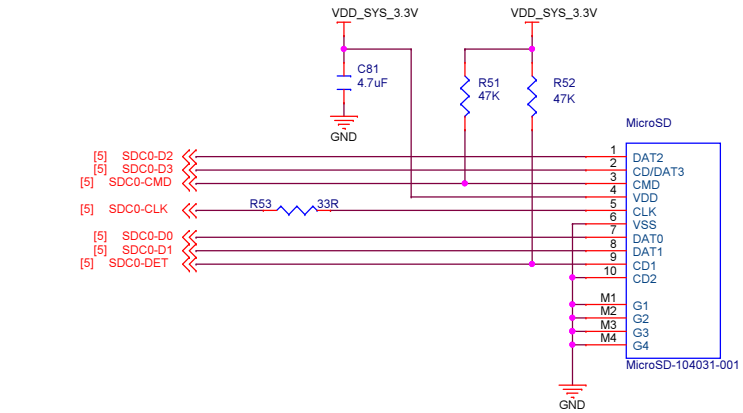
POWER 02



VCC-IO-EN = 1 ----> OFF
 VCC-IO-EN = 0 ----> ON
 Make sure that VDD_SYS_3.3V is ON when Power up!!

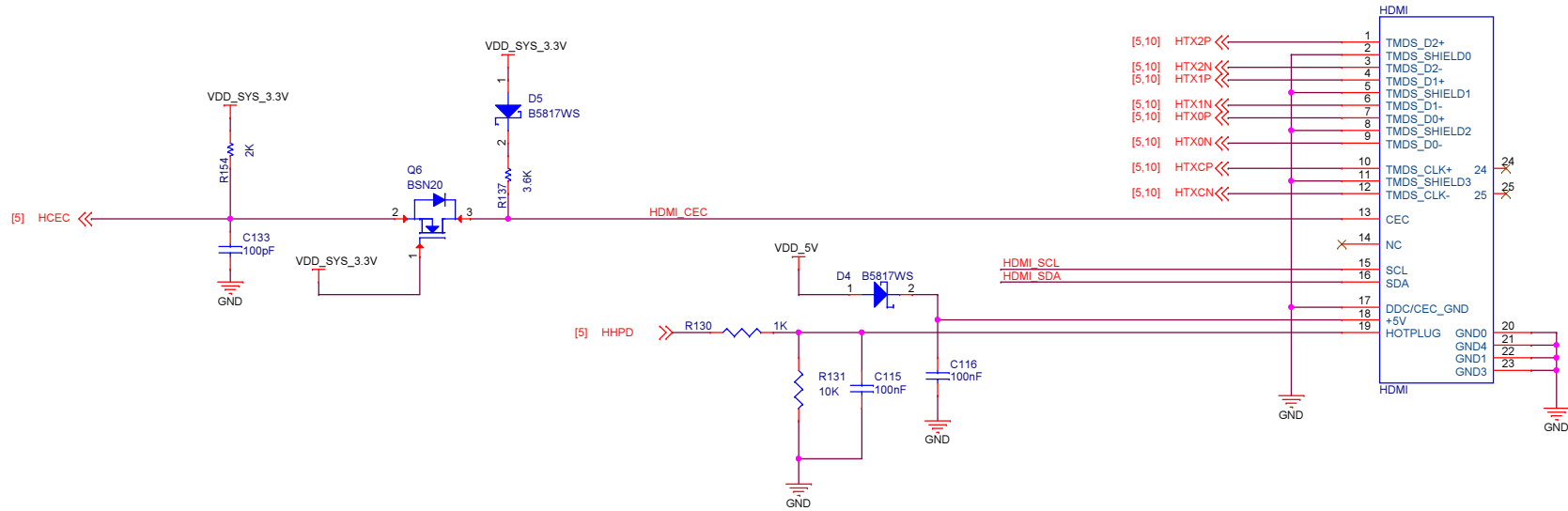
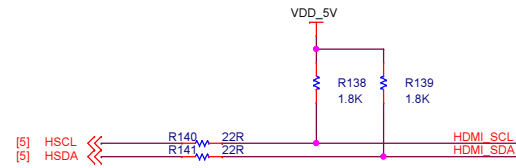
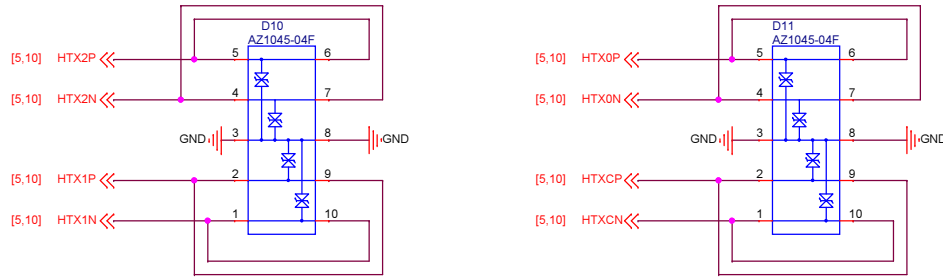


TF,USB Host, AV,MIC

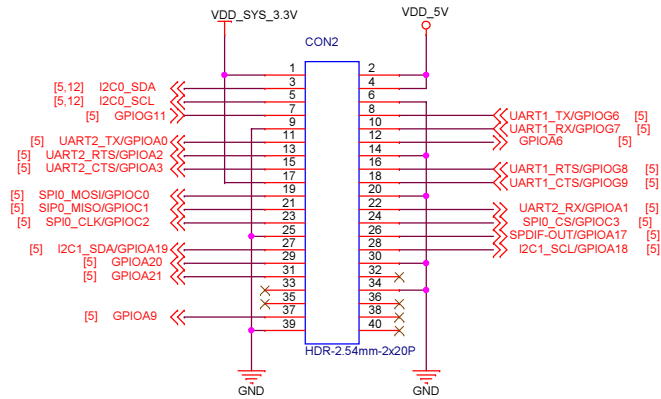


NanoPi M1 Plus		
Size A3	Document Number TF,USB Host, AV,MIC	Rev 1702
Date: Thursday, May 18, 2017	Sheet 9 of 15	

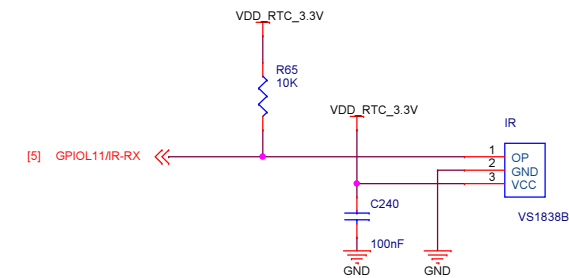
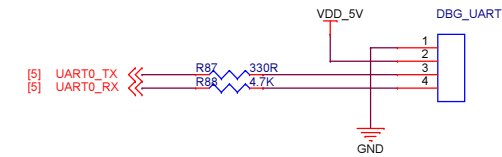
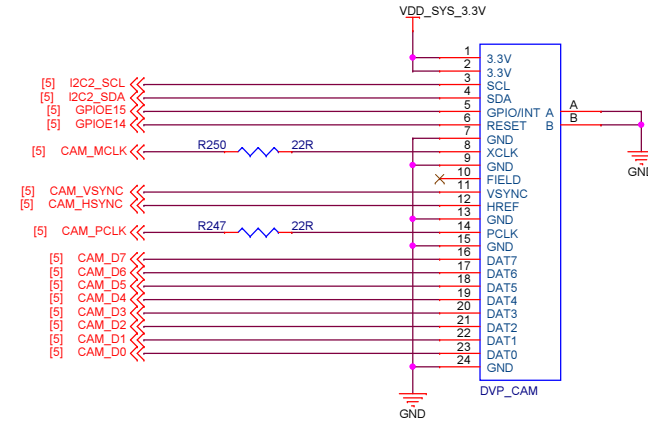
HDMI



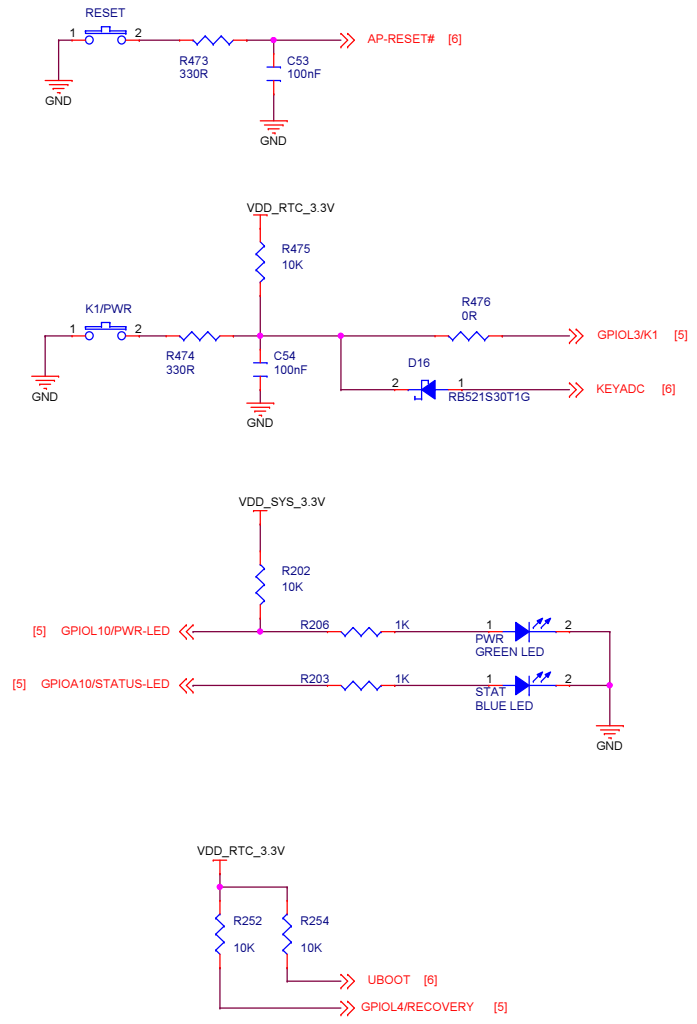
GPIO, CAM, IR



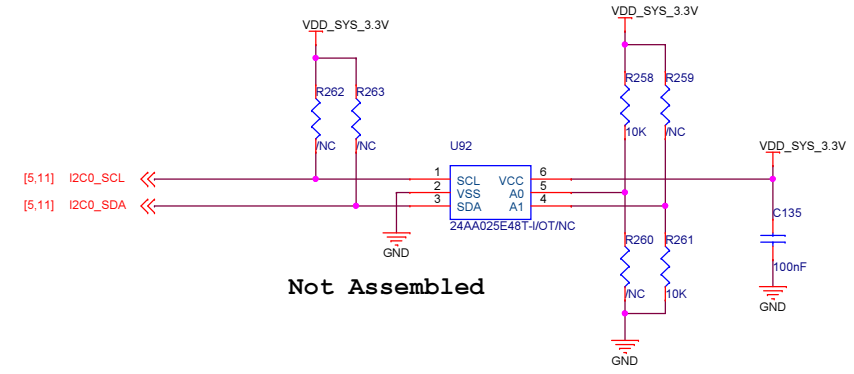
Camera Interface

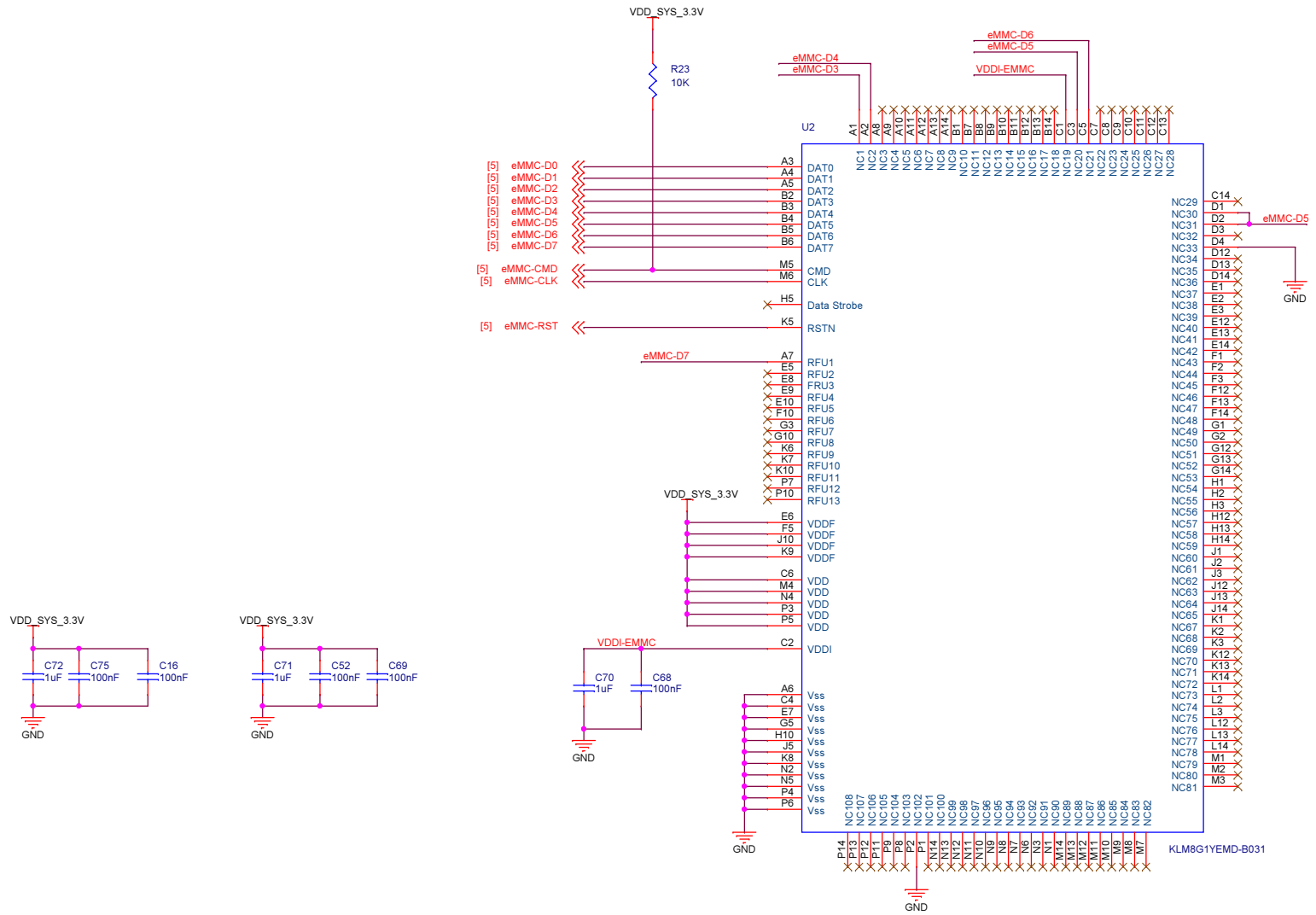


LEDs, LAN, Keys

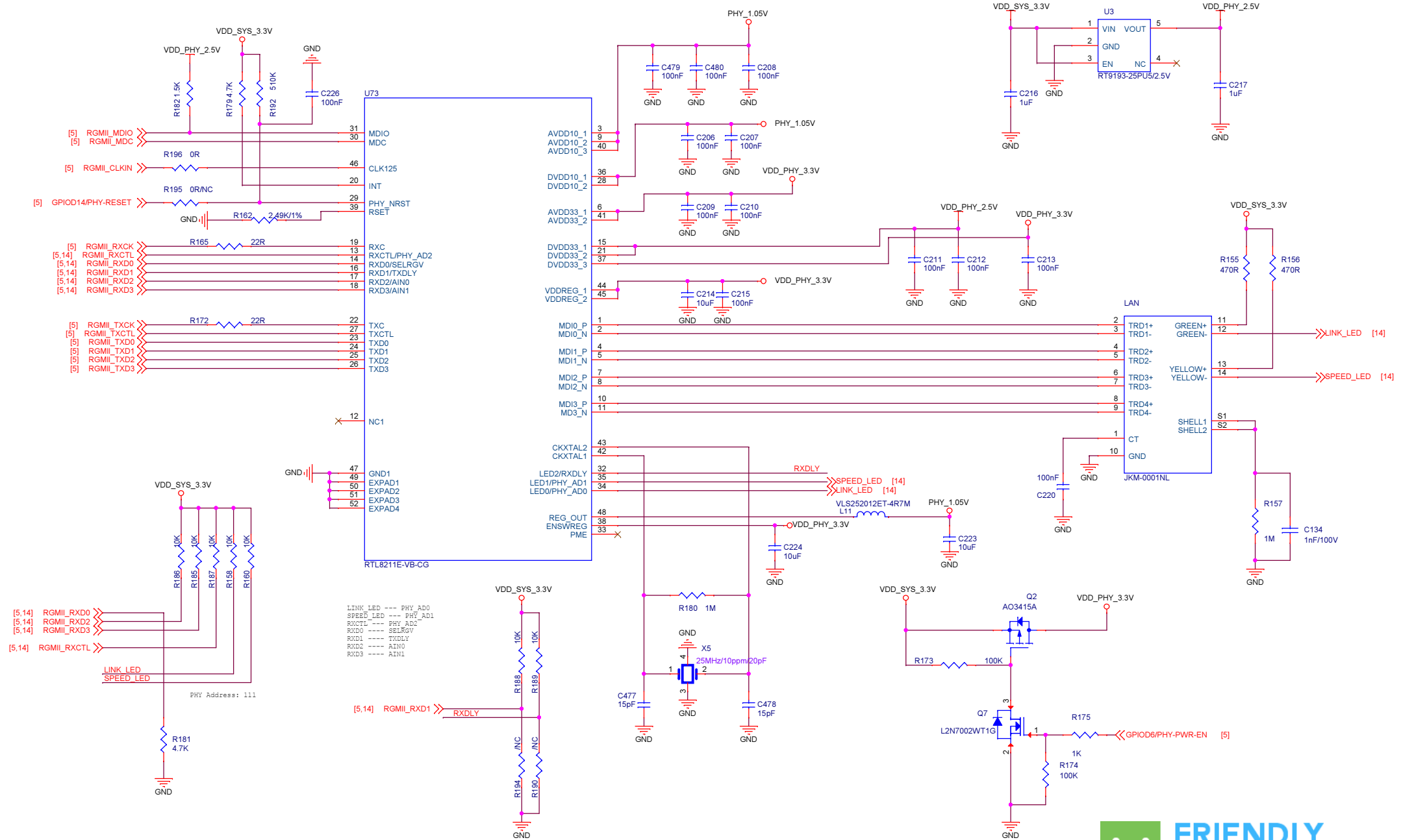


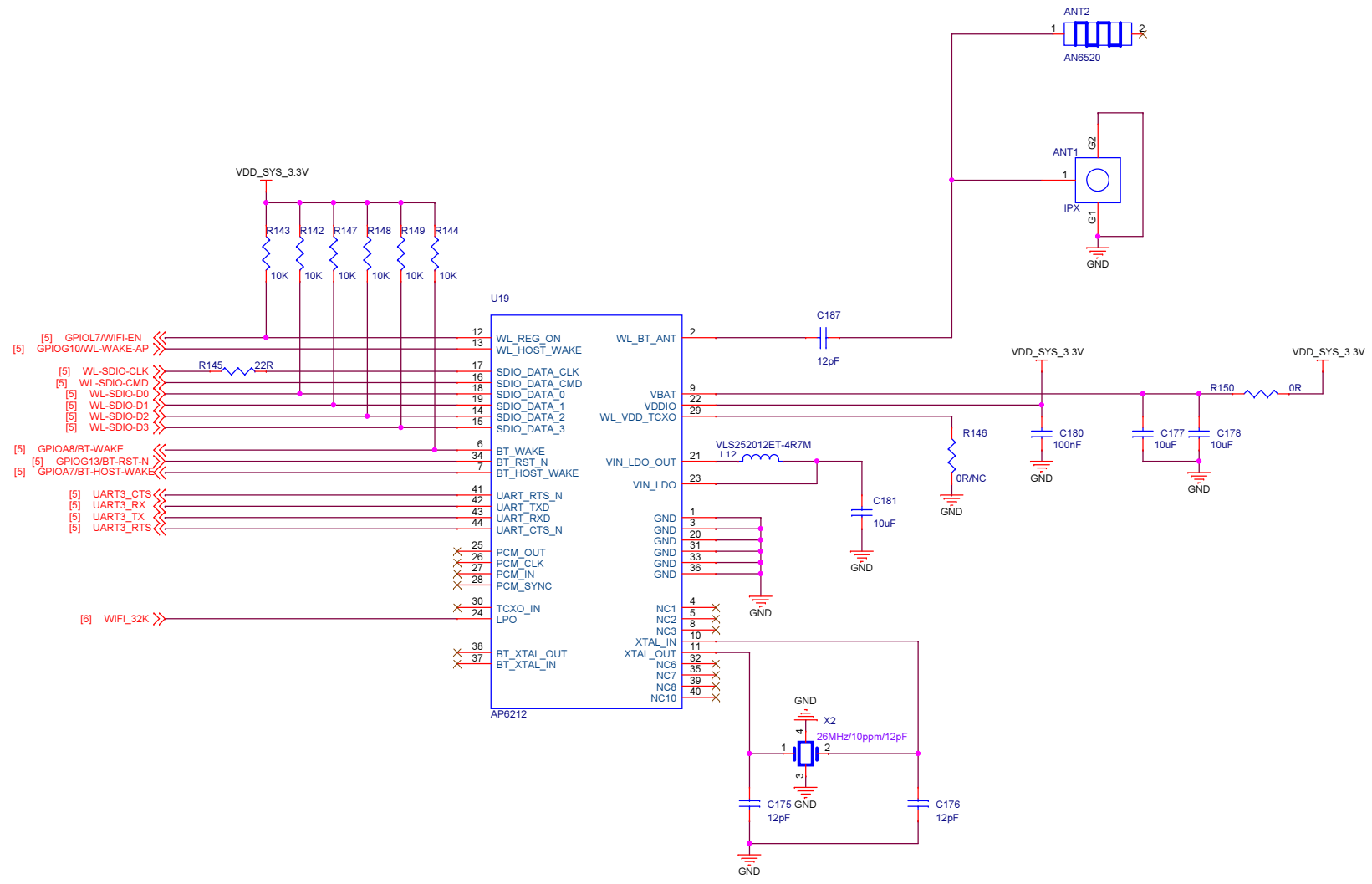
EEPROM with MAC Address





10/100/1000M Ethernet





NanoPi M1 Plus		
Size A3	Document Number AP6212	Rev 1702
Date:	Thursday, May 18, 2017	Sheet 15 of 15