

NanoPi M1

Revision

1603 , First Release

1603B, 1.Change IR reciver to VS1838B

2.Change DC/DC

3.Remove RTC OSC

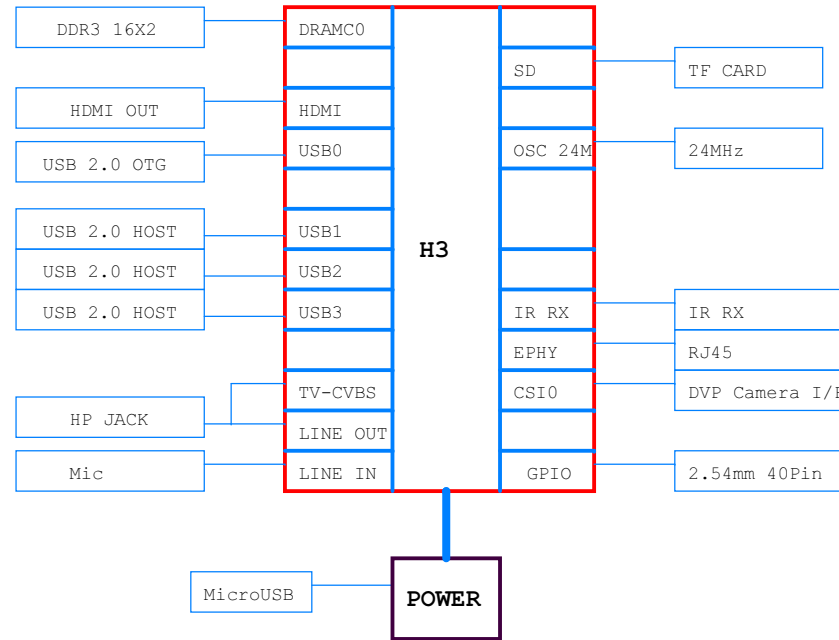
4.etc

2017/05/18 reneme net PWM1/GPIOA6 to GPIOA6

FRIENDLYARM

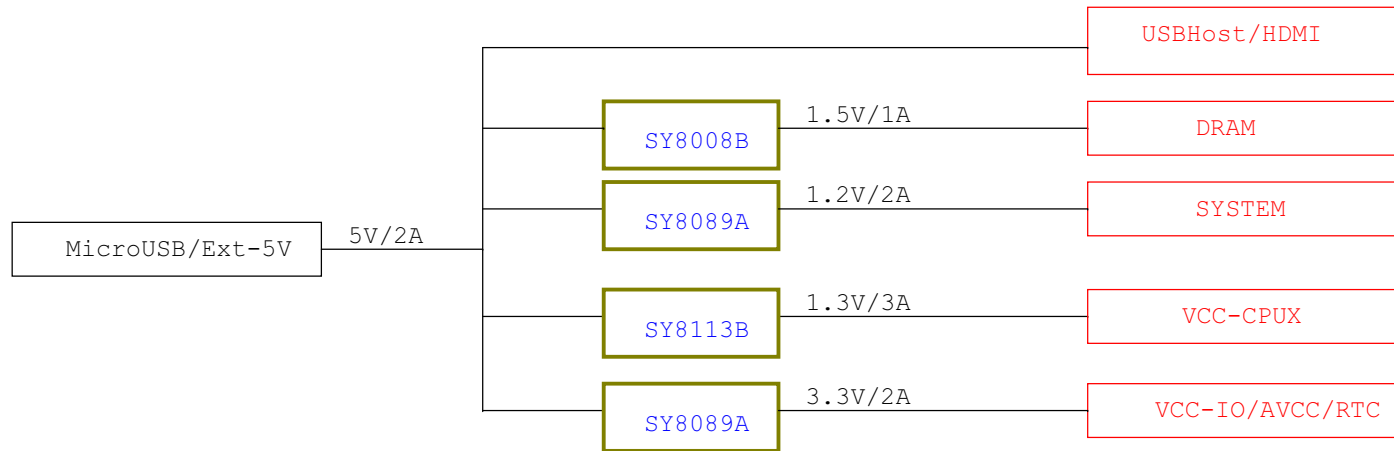
NanoPi M1		
Size A3	Document Number 01:Title	Rev 1603B
Date:	Thursday, May 18, 2017	Sheet 1 of 12

BLOCK



FRIENDLYARM

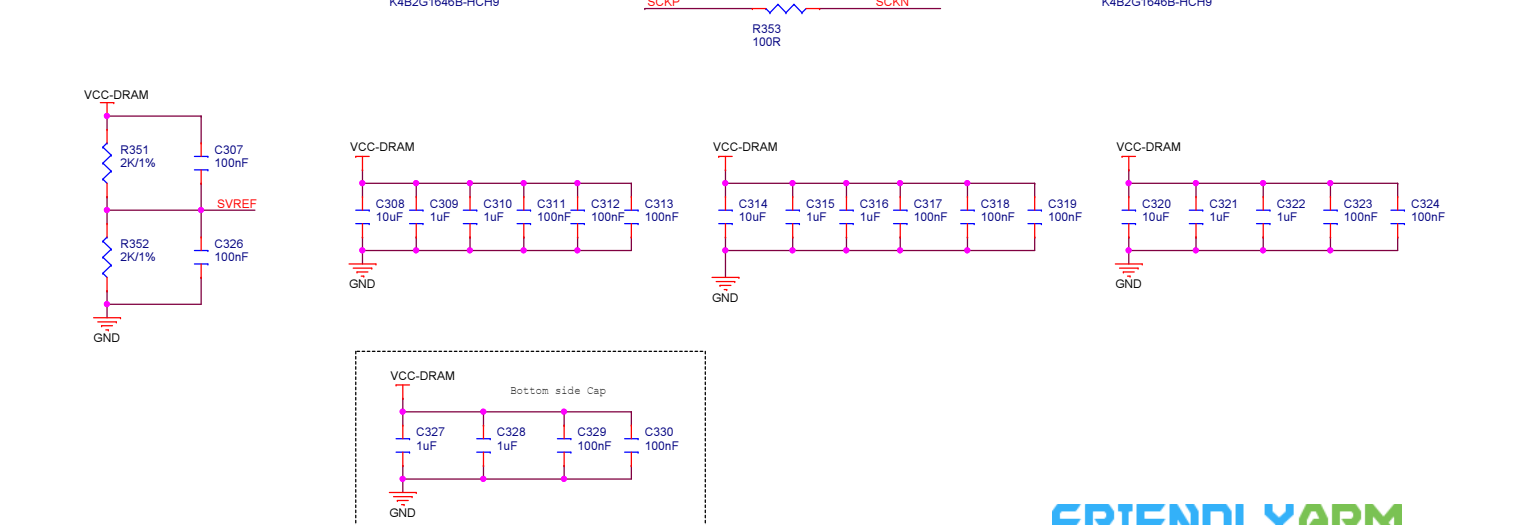
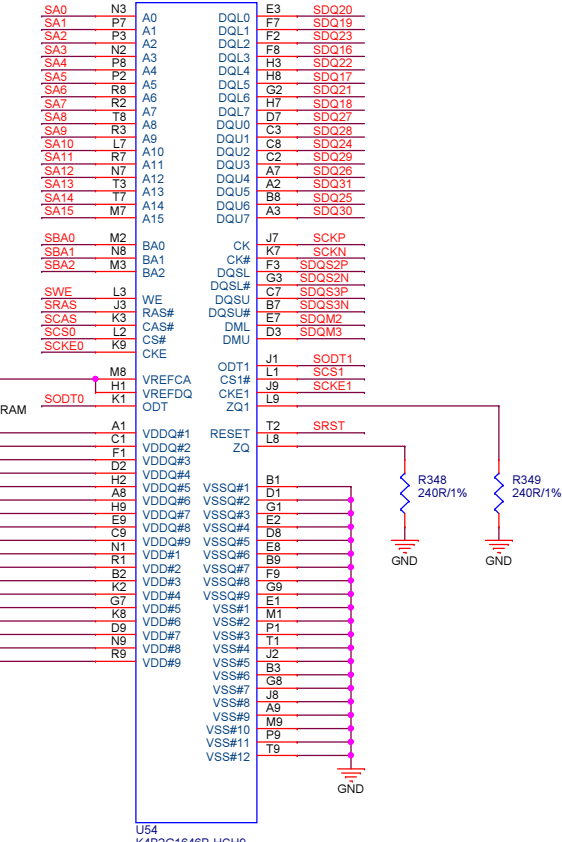
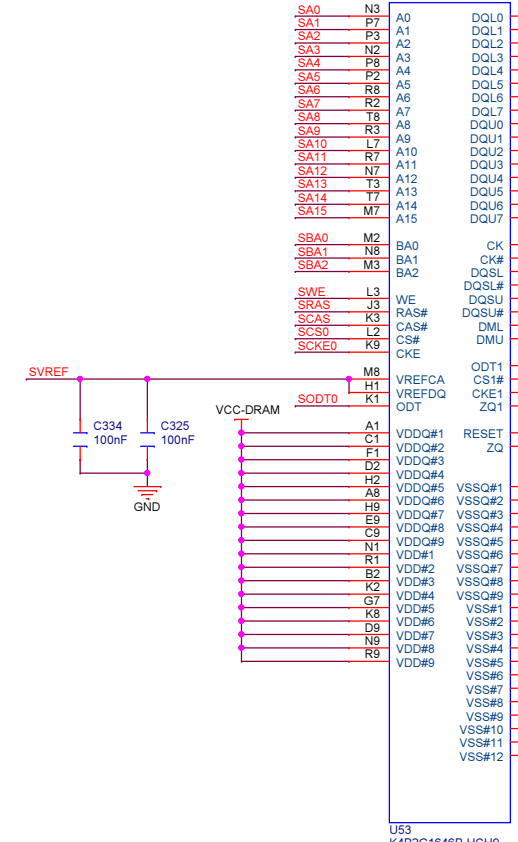
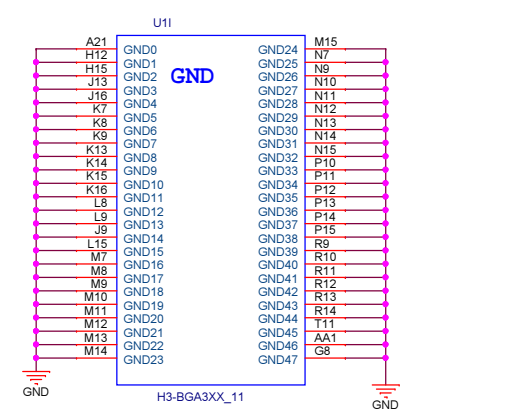
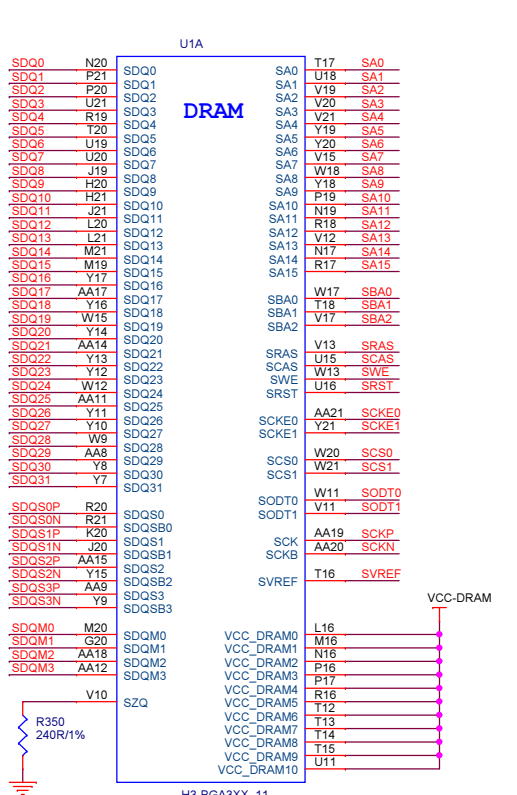
POWER TREE



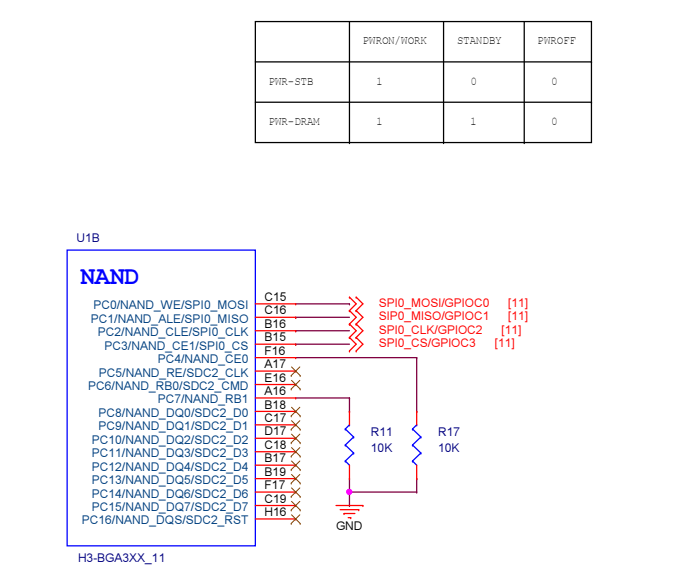
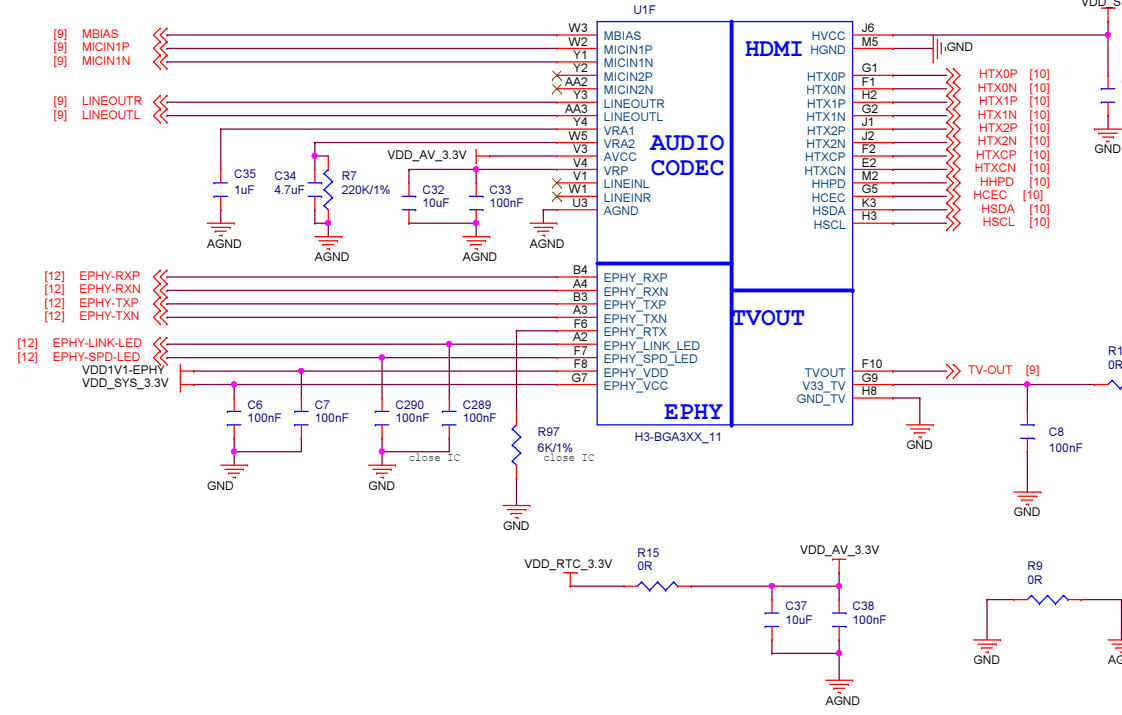
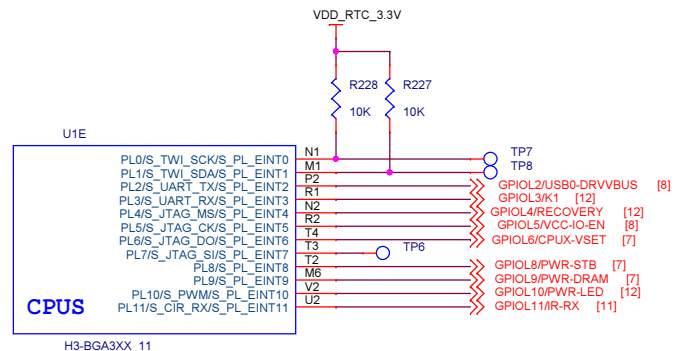
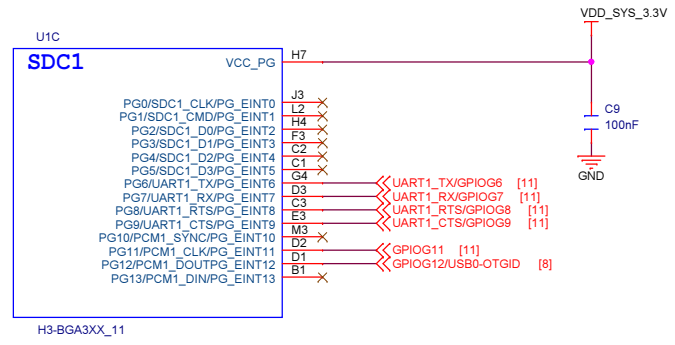
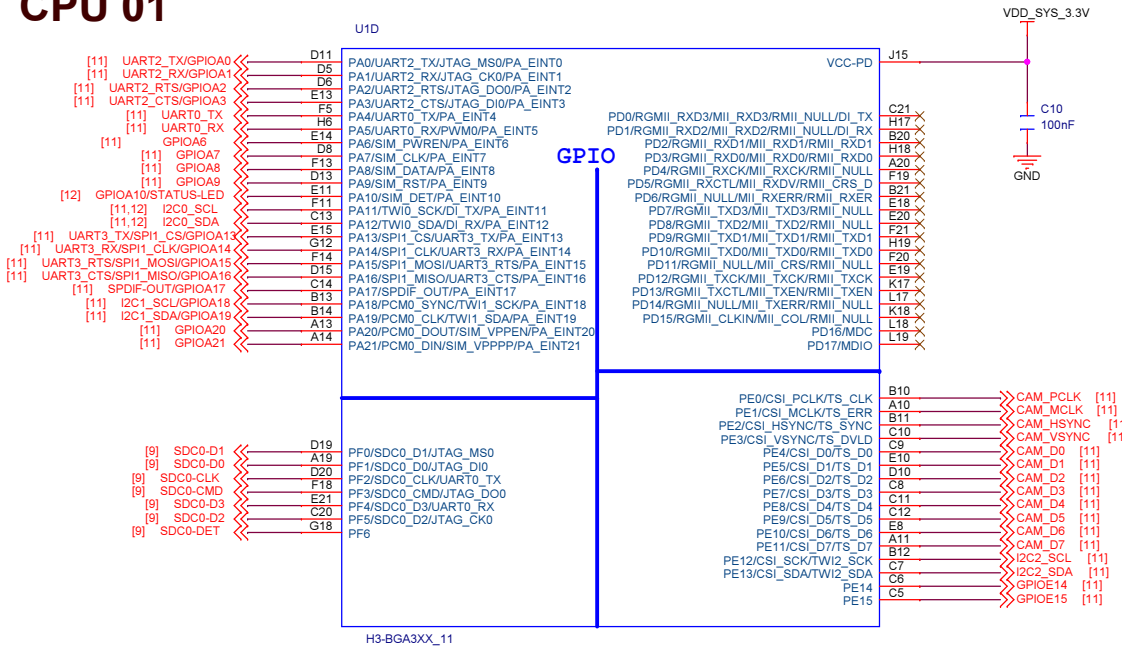
FRIENDLYARM

NanoPi M1		
Size A3	Document Number 03:Power Tree	Rev 1603B
Date:	Thursday, May 18, 2017	Sheet 3 of 12

DDR3 16x2



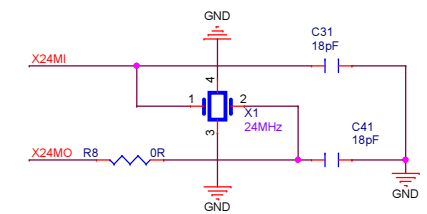
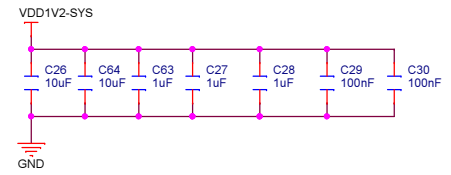
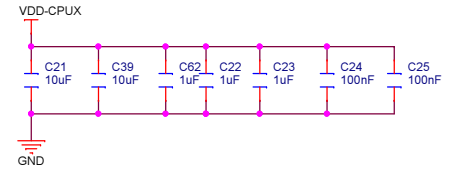
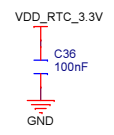
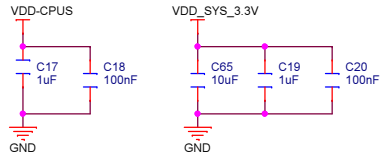
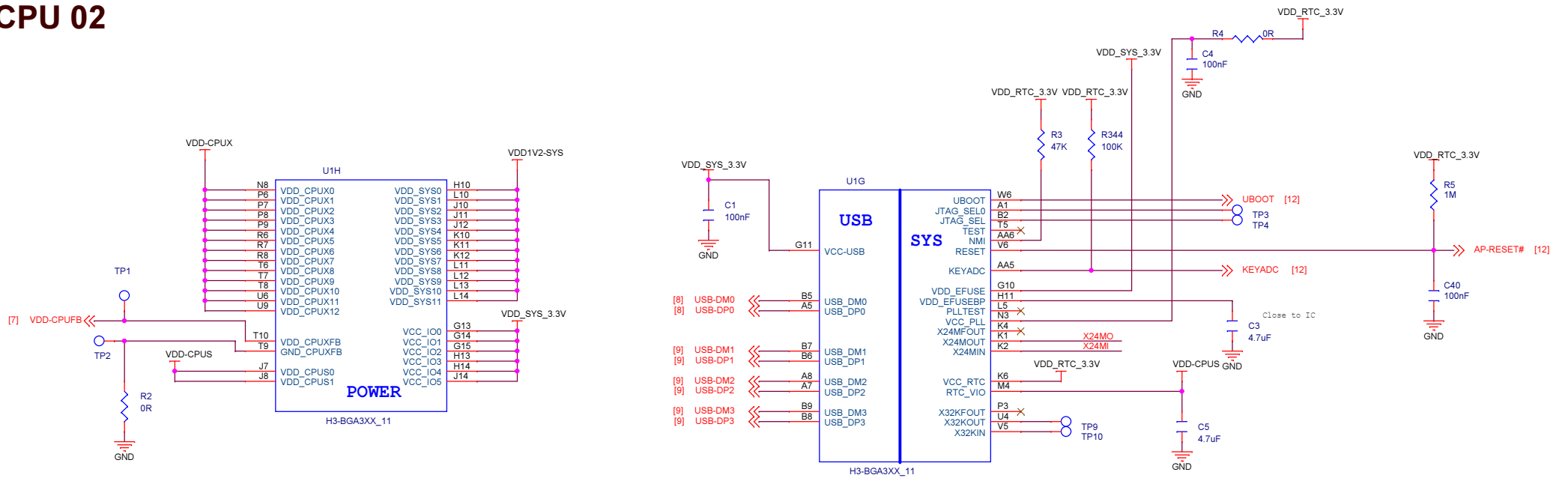
CPU 01



	PWRON/WORX	STANDBY	PWROFF
PWR-STB	1	0	0
PWR-DRAM	1	1	0

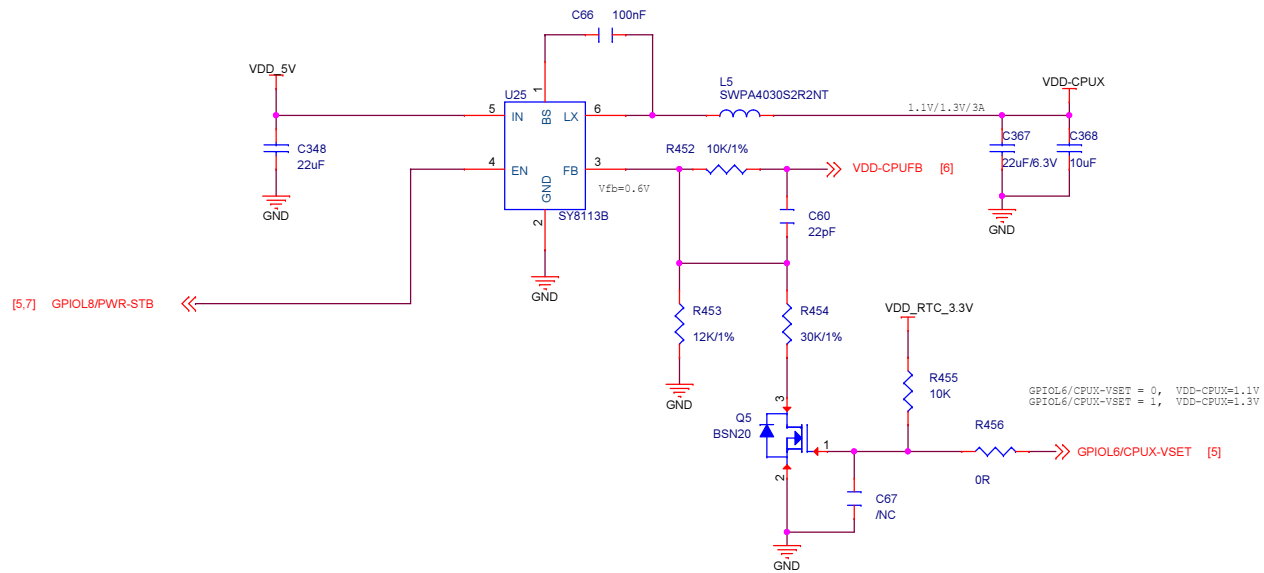
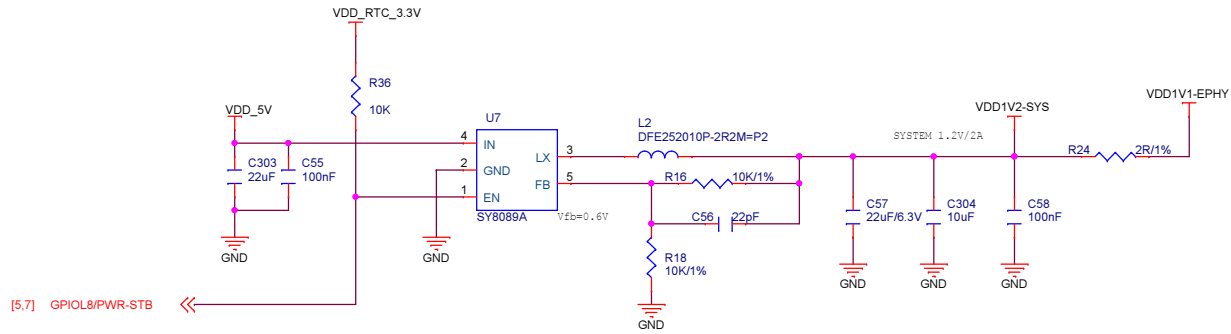
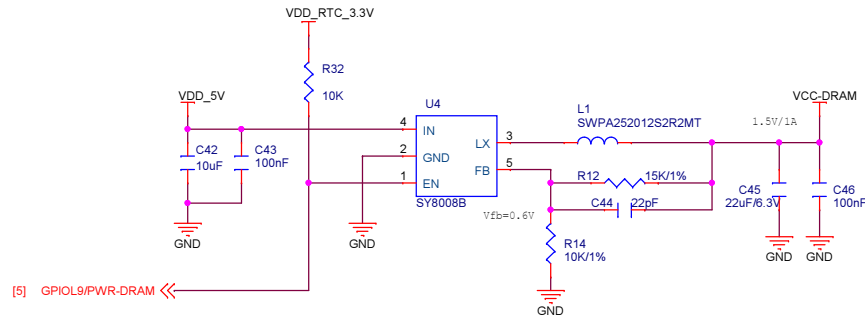


CPU 02



NanoPi M1		
Size A3	Document Number 06:CPU-H3-02	Rev 1603B
Date: Thursday, May 18, 2017	Sheet 6	of 12

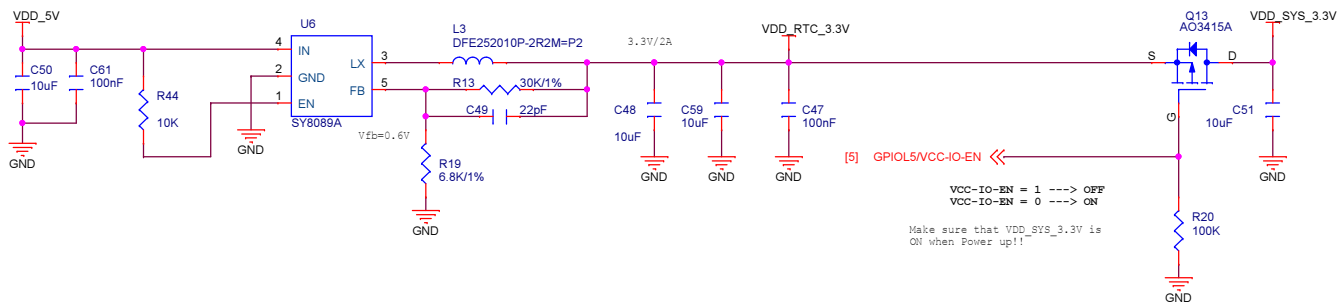
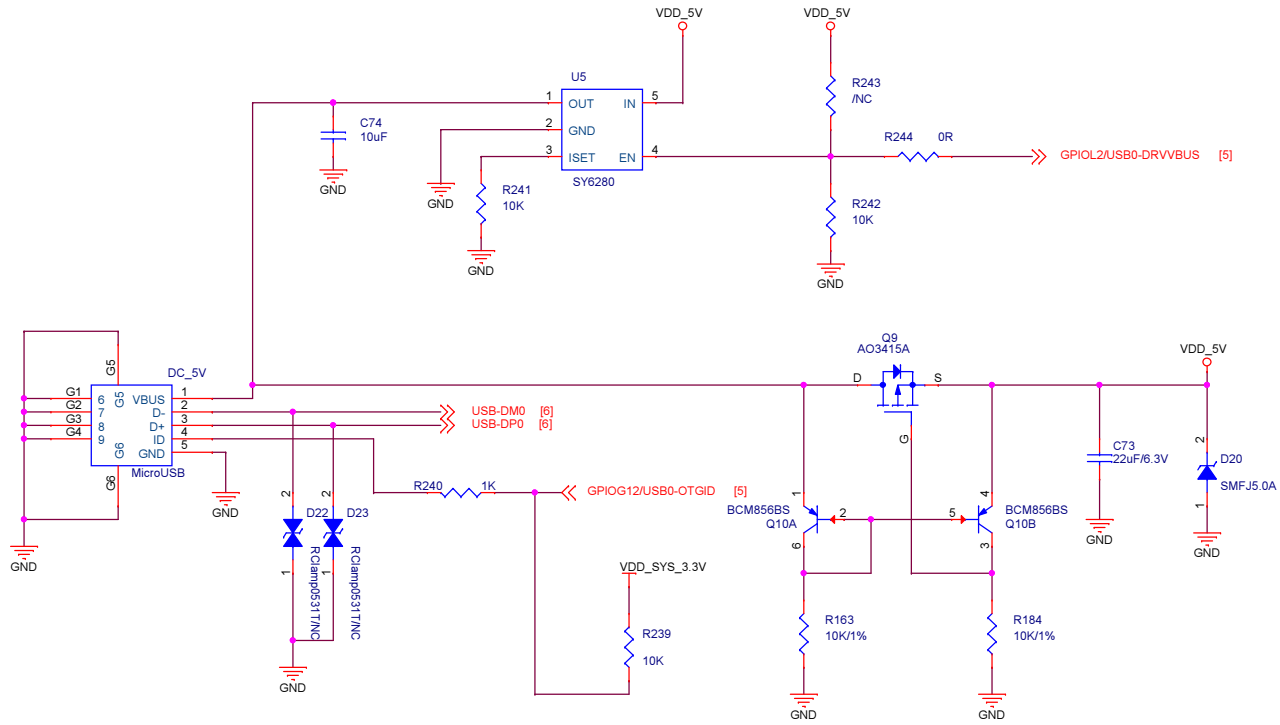
POWER 01



FRIENDLYARM

NanoPi M1		
Size A3	Document Number 07-Power-01	Rev 1603B
Date: Thursday, May 18, 2017	Sheet 7	of 12

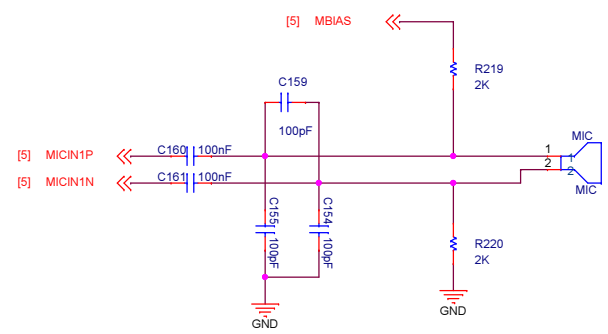
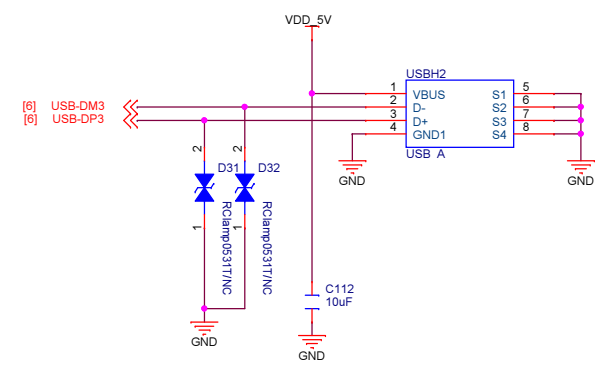
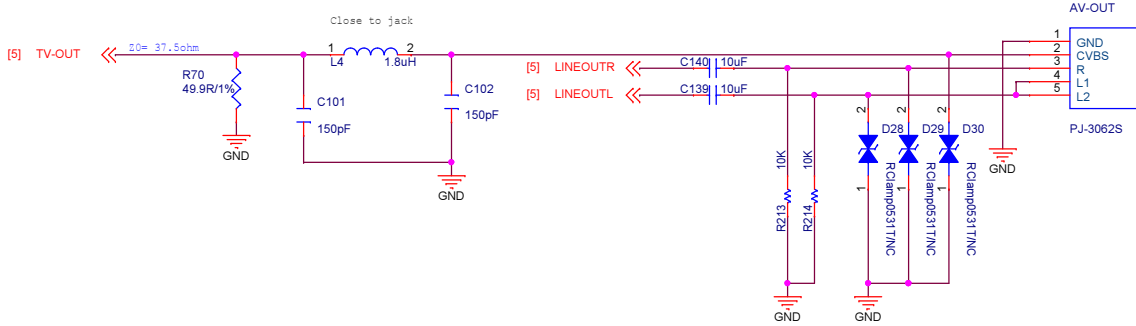
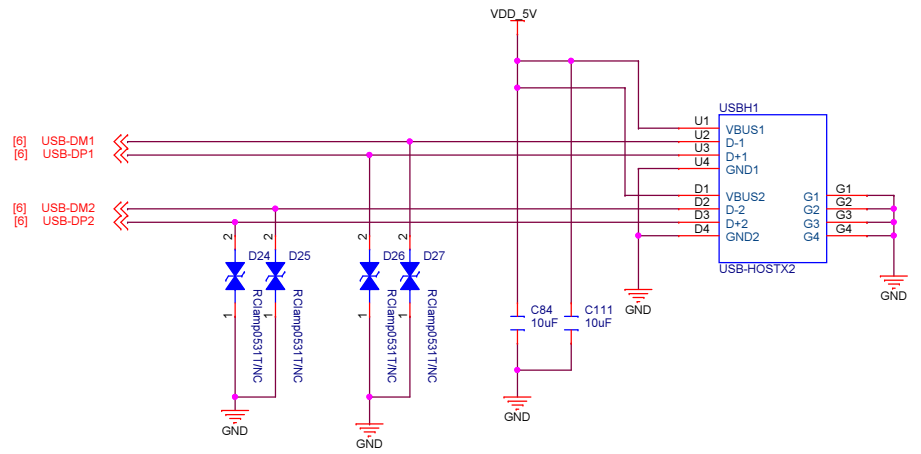
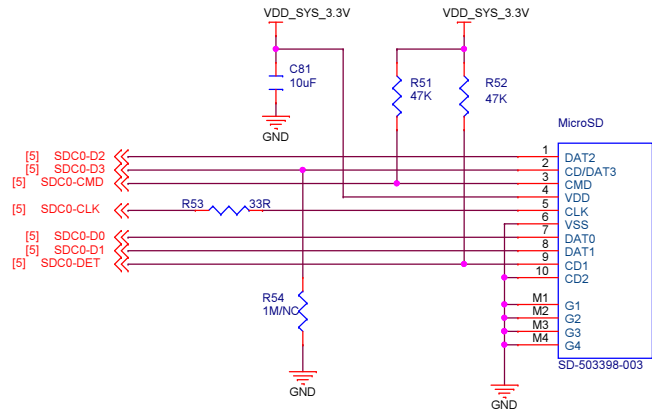
POWER 02



FRIENDLYARM

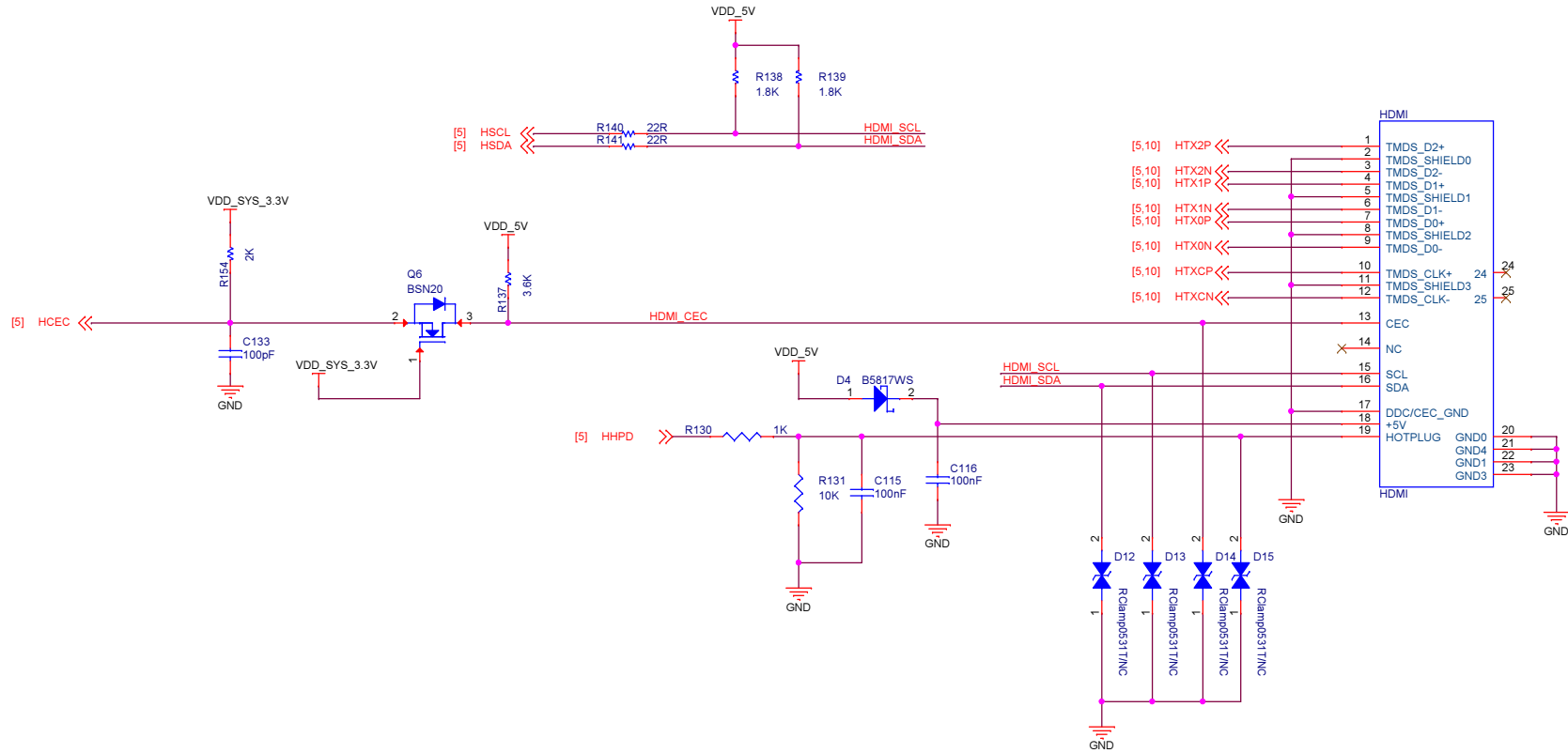
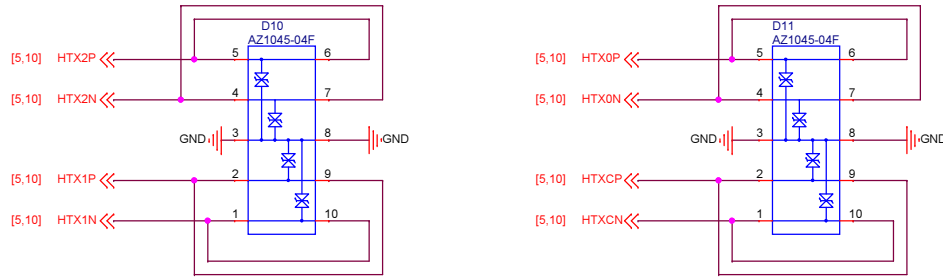
NanoPi M1		
Size A3	Document Number 08:Power-02	Rev 1603B
Date: Thursday, May 18, 2017	Sheet 8	of 12

TF,USB Host, AV



NanoPi M1		
Size A3	Document Number 09:Card,USB Host, AV	Rev 1603B
Date: Thursday, May 18, 2017	Sheet 9	of 12

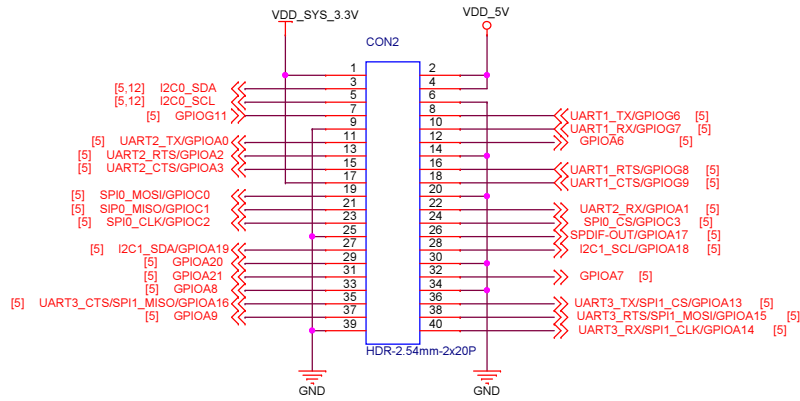
HDMI



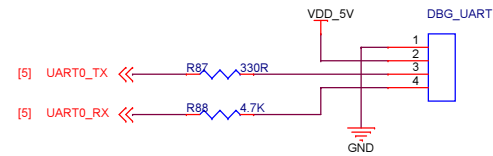
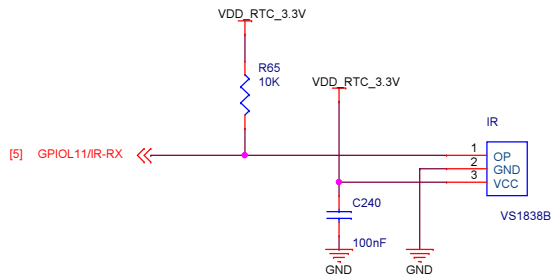
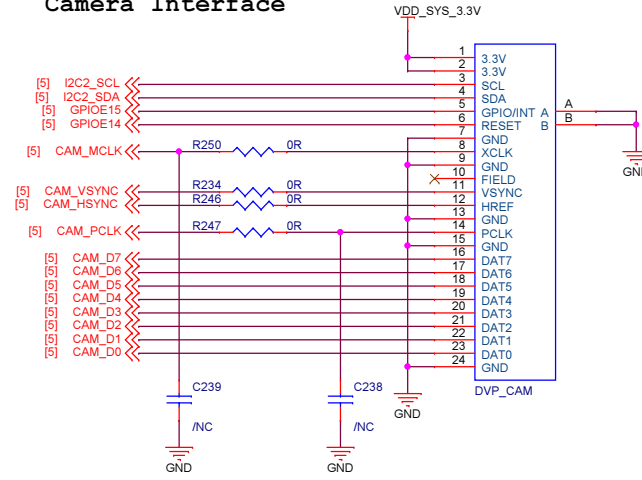
FRIENDLYARM

NanoPi M1		
Size A3	Document Number 10:HDMI	Rev 1603B
Date: Thursday, May 18, 2017	Sheet 10	of 12

GPIO, CAM, IR



Camera Interface



FRIENDLYARM

NanoPi M1		
Size A3	Document Number 11:GPIO, CAM, IR	Rev 1603B
Date: Thursday, May 18, 2017	Sheet 11	of 12

