

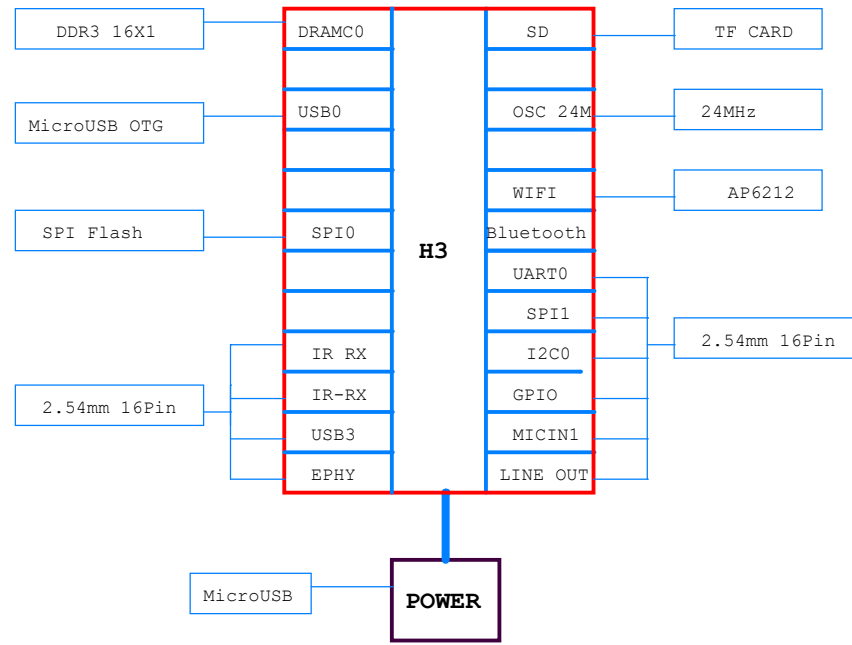
NanoPi Duo2

Revision:

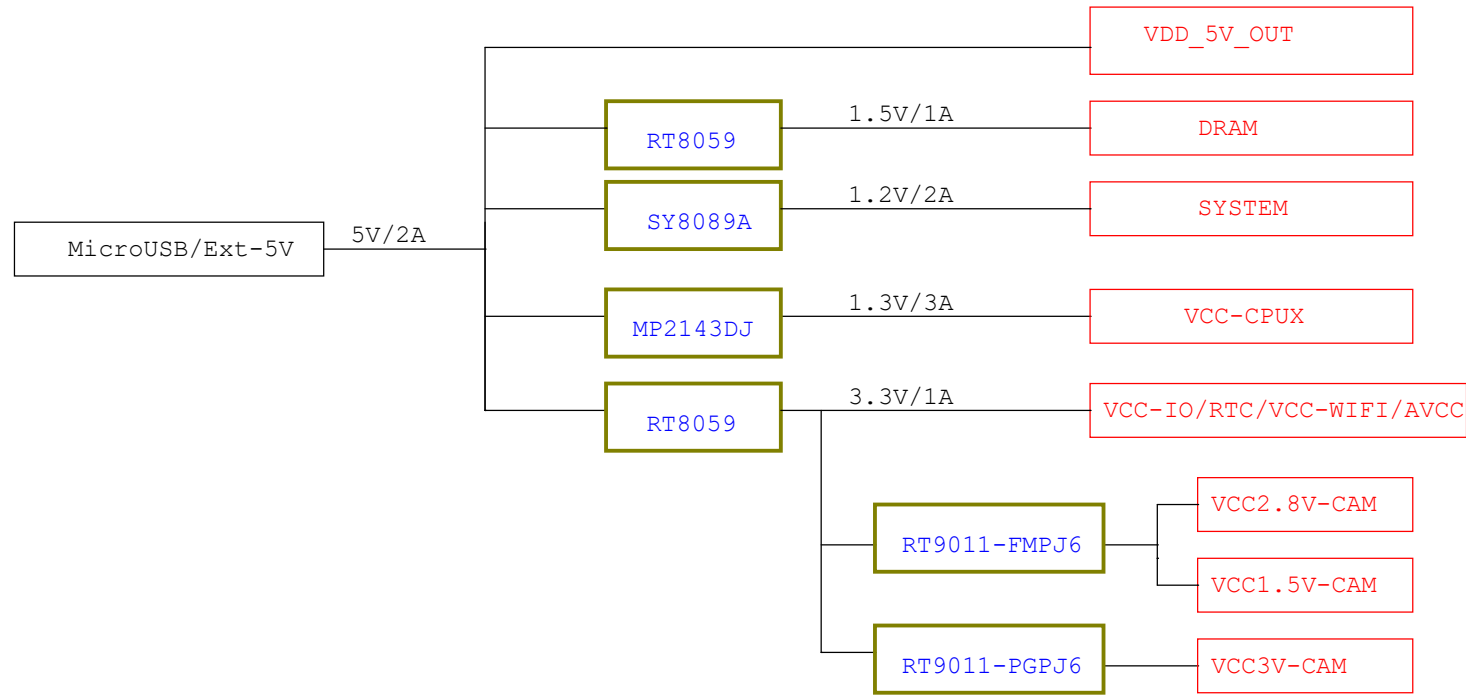
V1.0 1807 first release

V1.1 2405 1.Changed microUSB to USB-C
2. Changed CAM Power LDOs

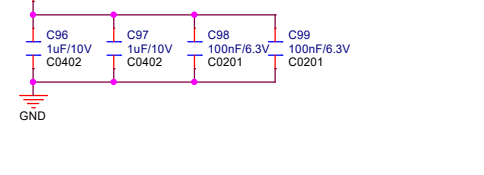
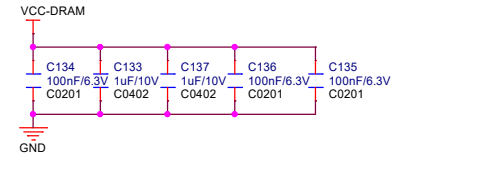
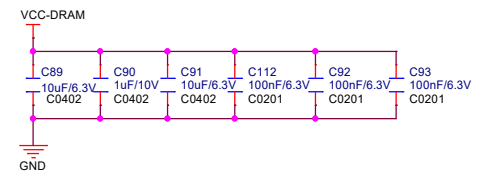
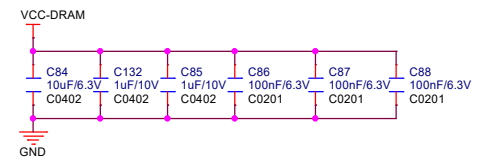
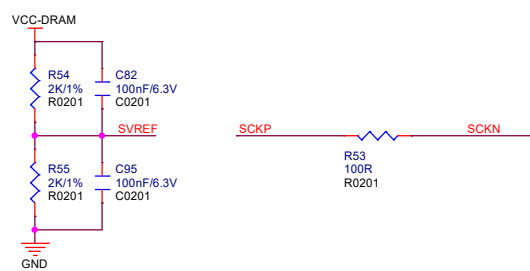
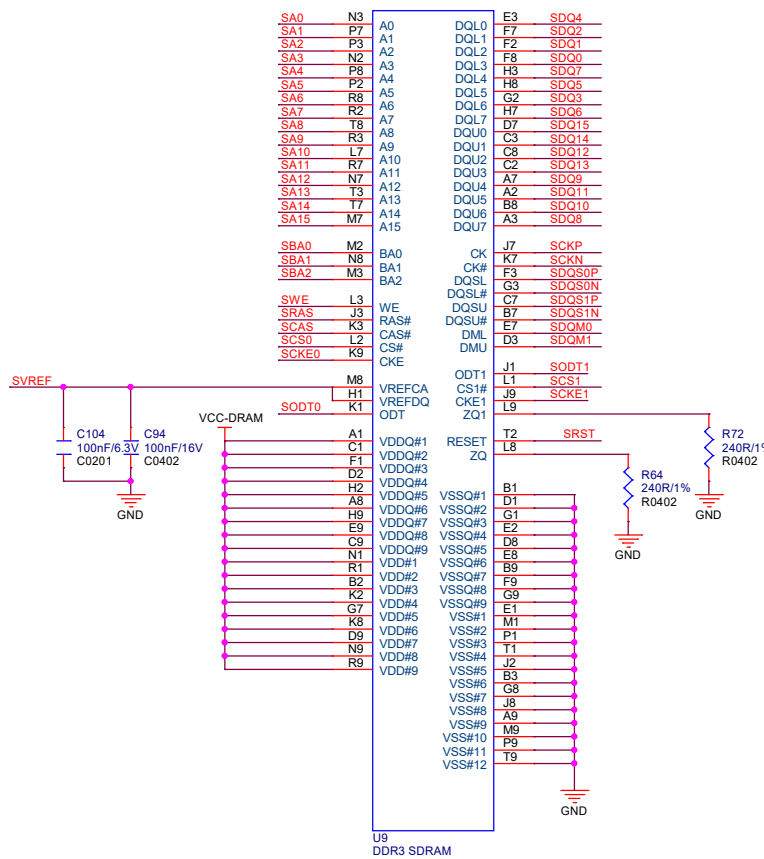
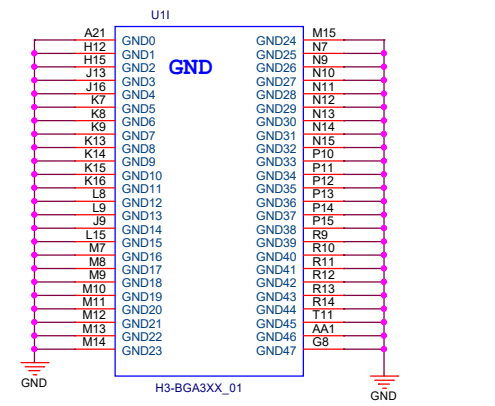
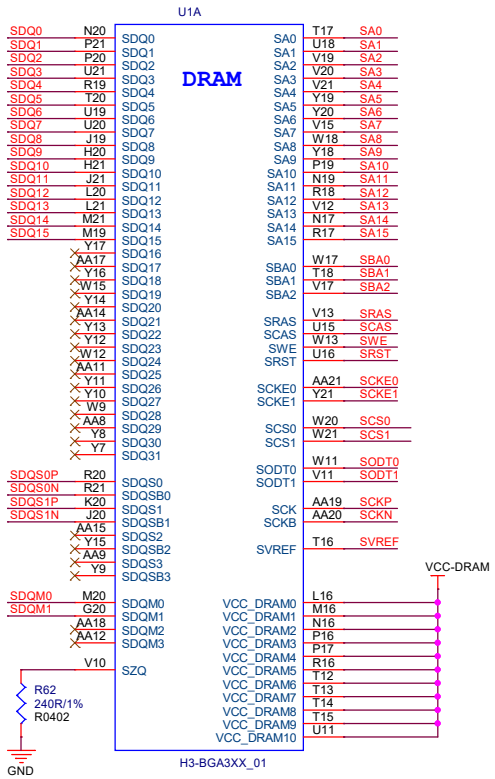
BLOCK



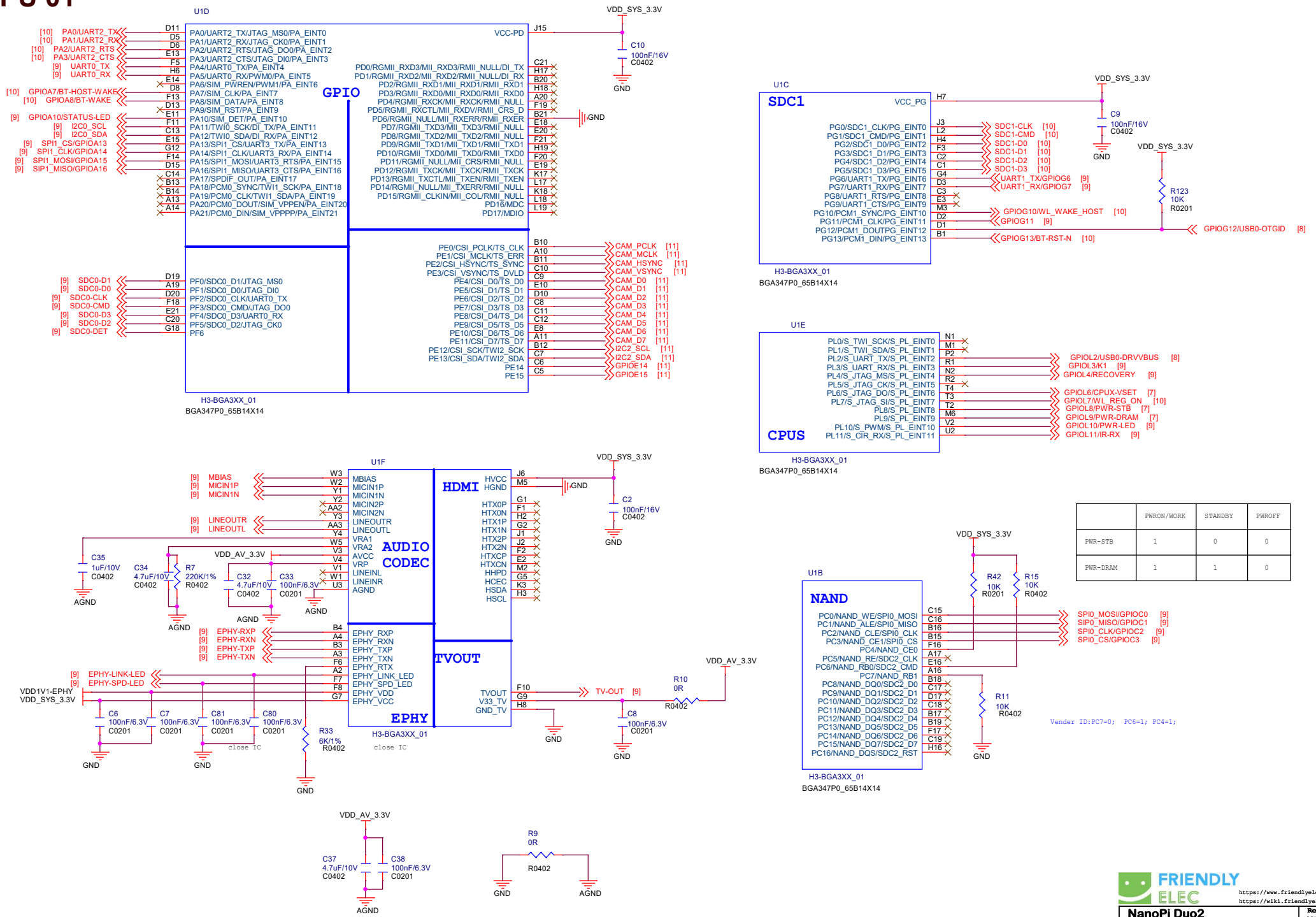
POWER TREE



DDR3 16x1

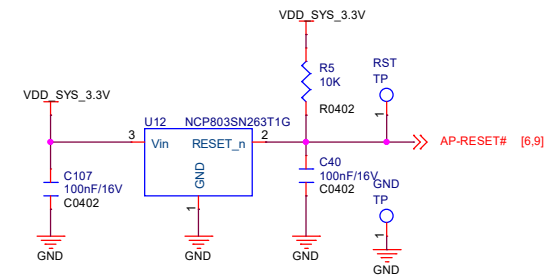
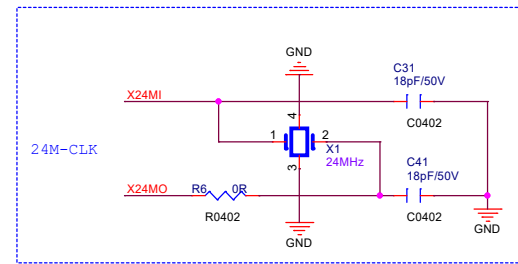
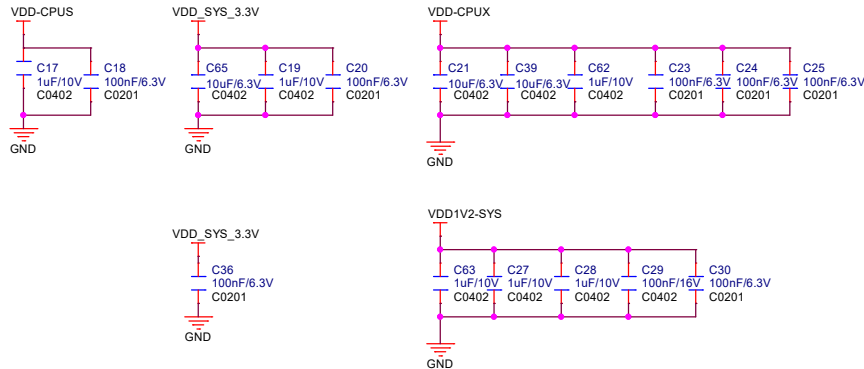
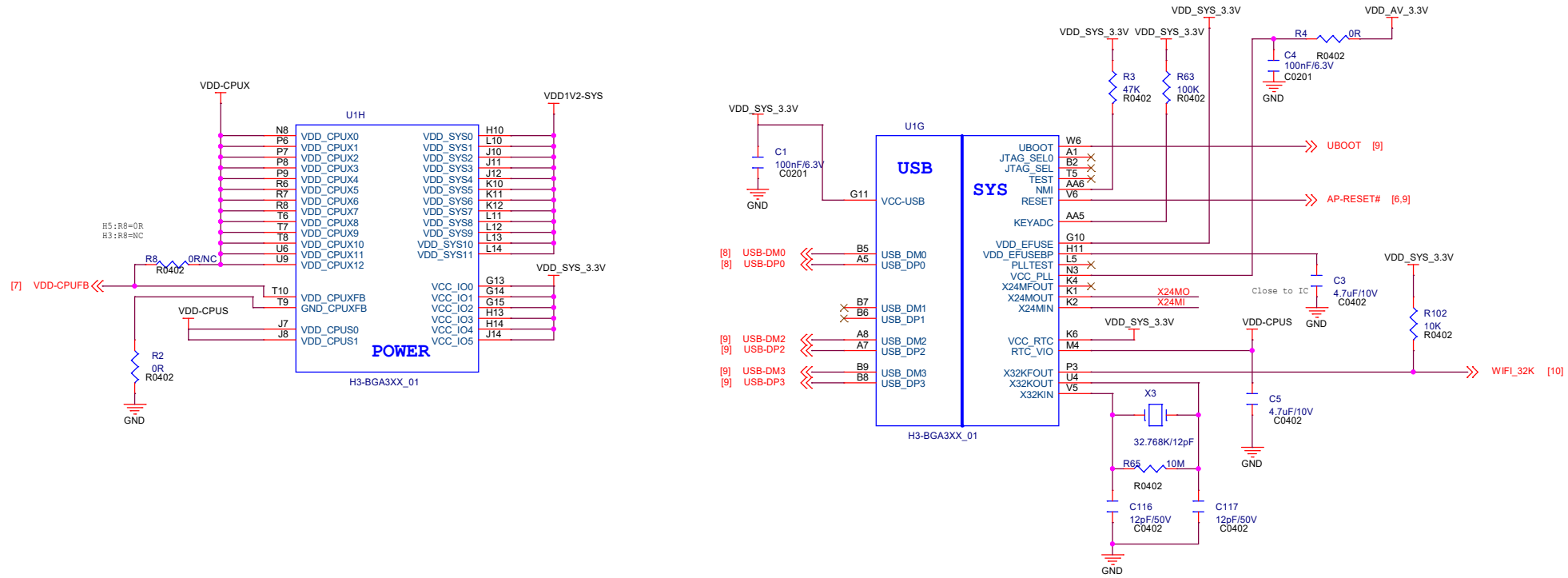


CPU 01

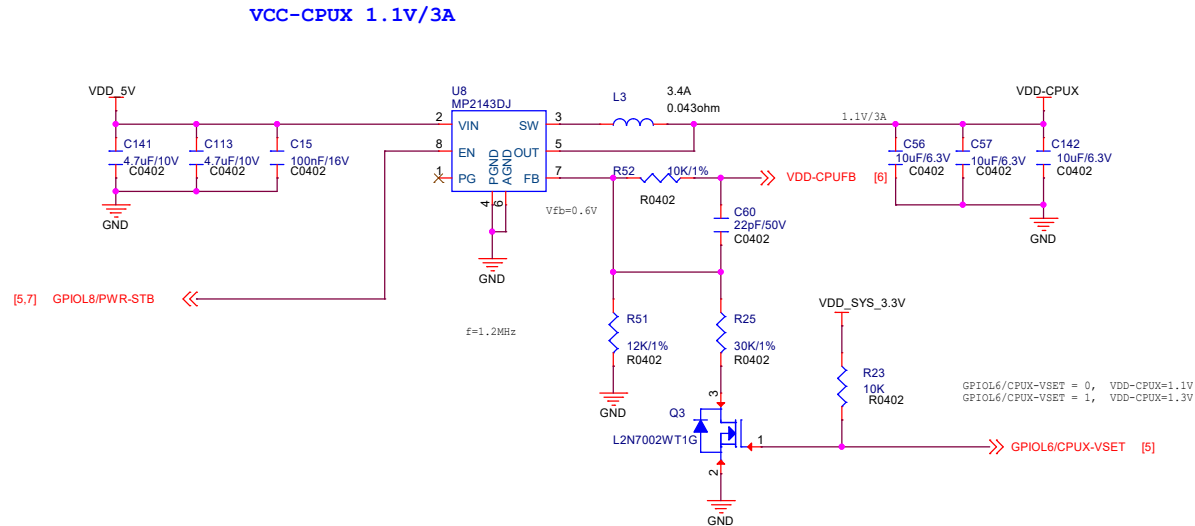
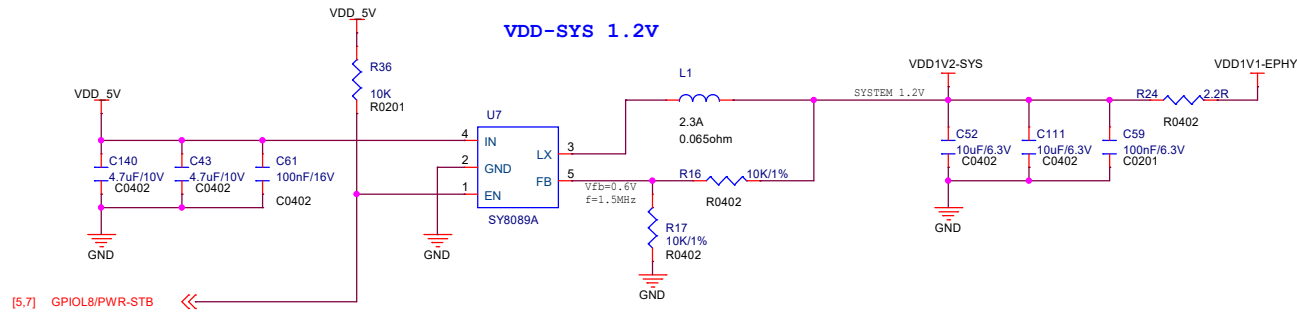
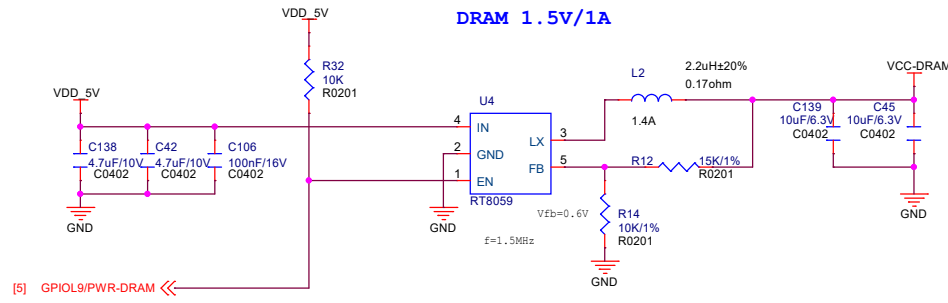


	PWRON/WORK	STANDBY	PWROFF
PWR-STB	1	0	0
PWR-DRAM	1	1	0

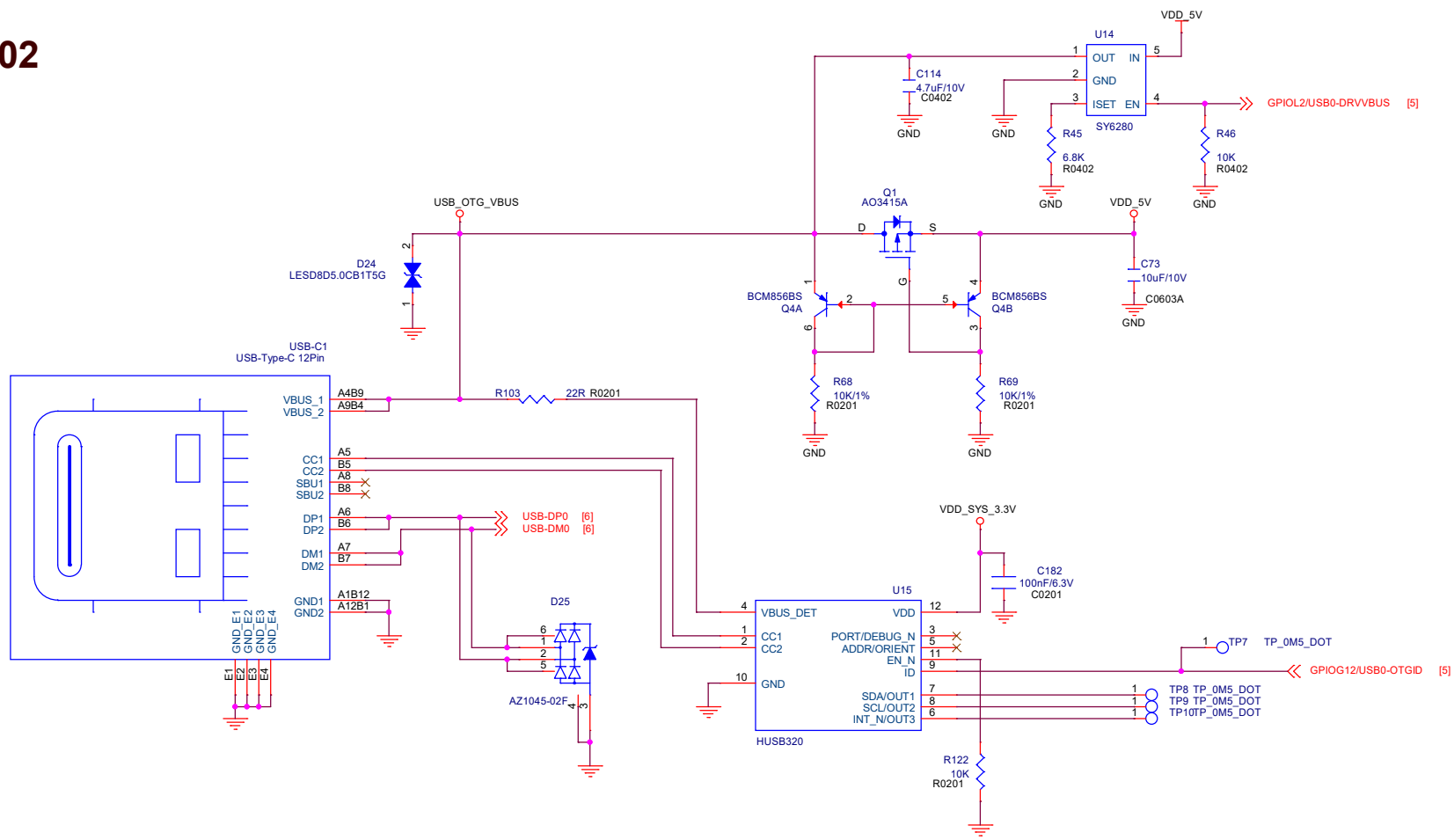
CPU 02



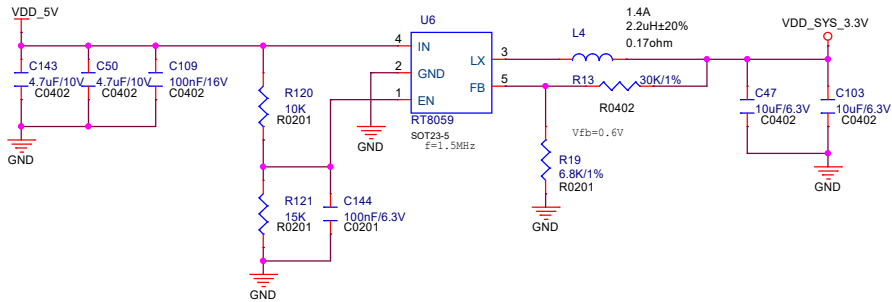
POWER 01



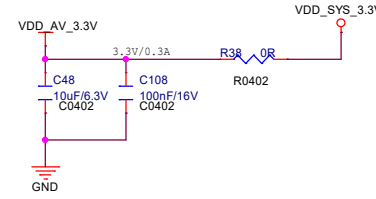
POWER 02



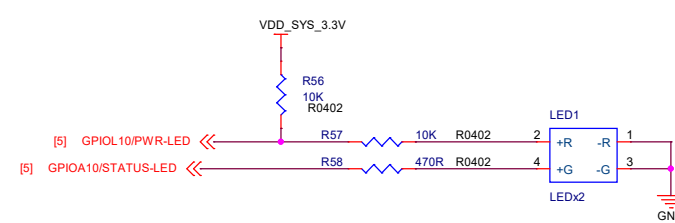
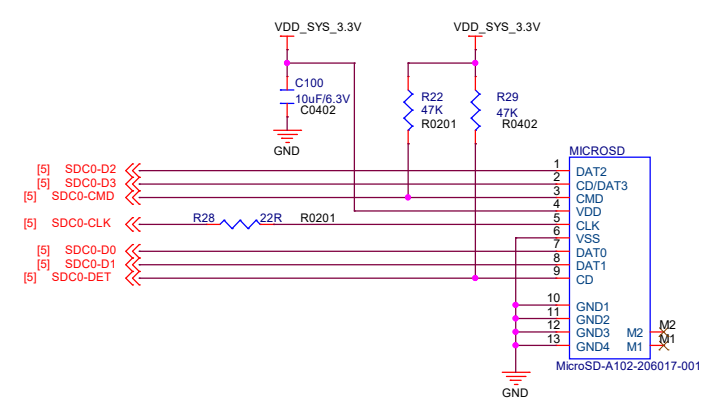
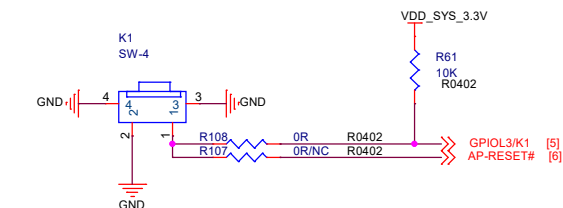
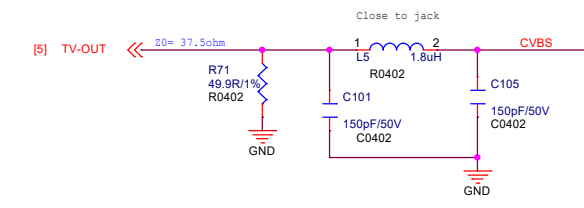
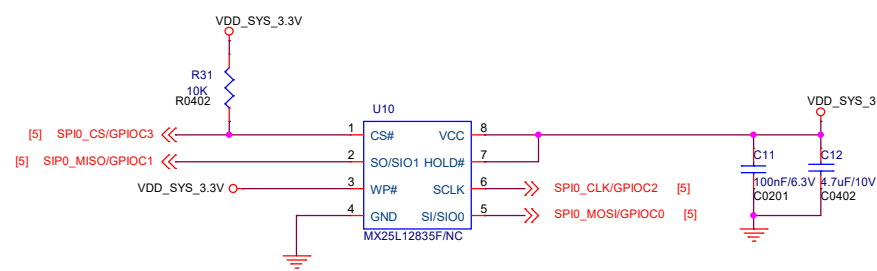
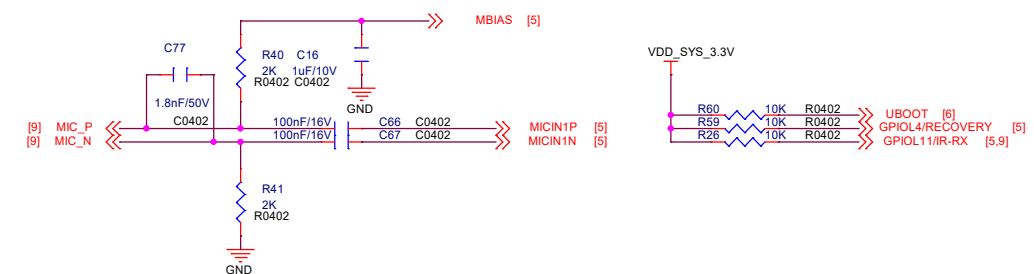
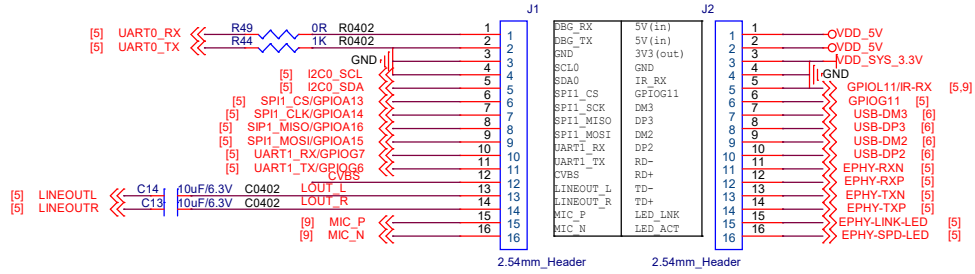
VCC-IO 3.3V/1A



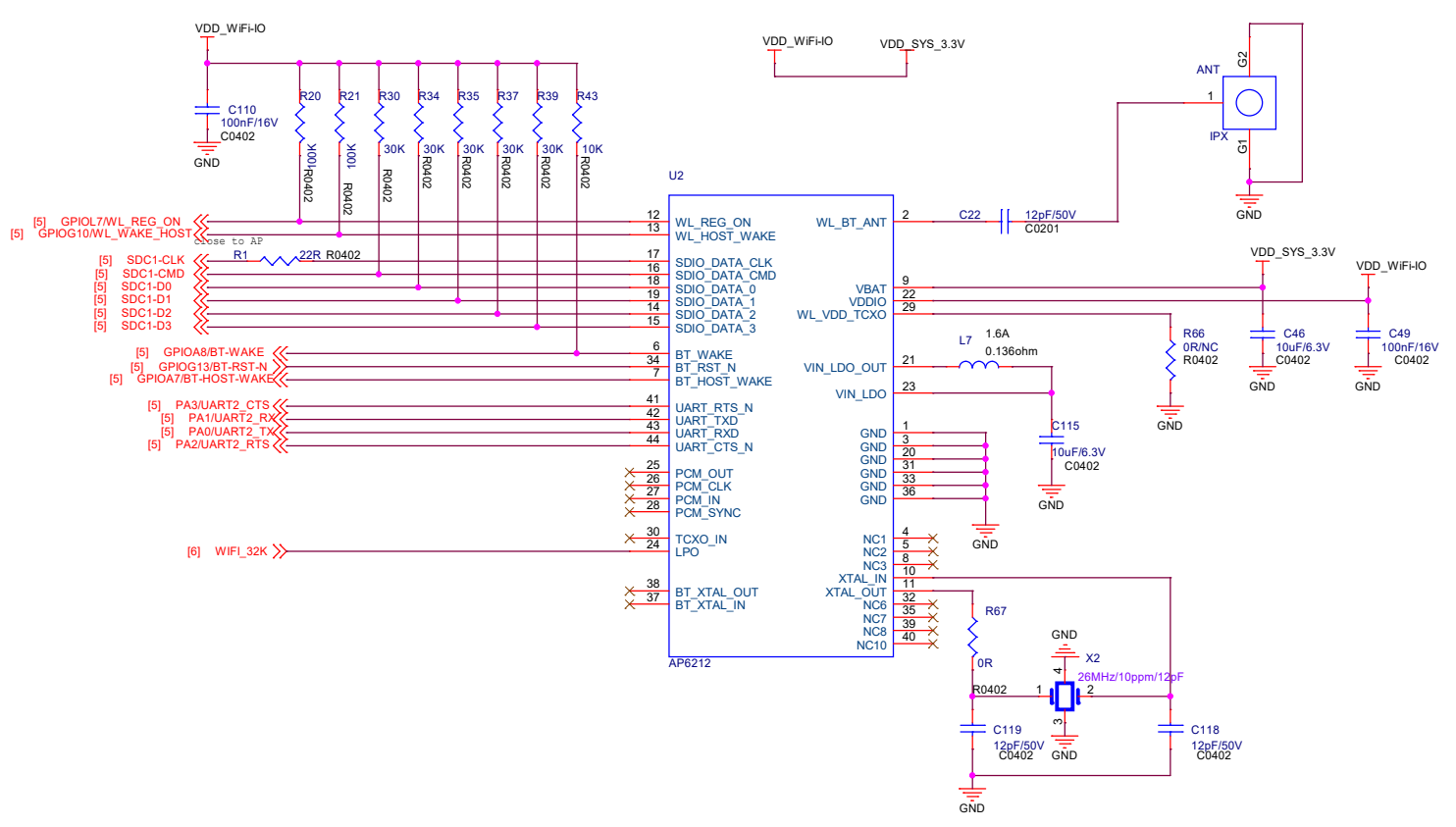
VCC-AVCC 3.3V



GPIO,LEDs,TF Card,SPI Flash



WIFI



Camera

